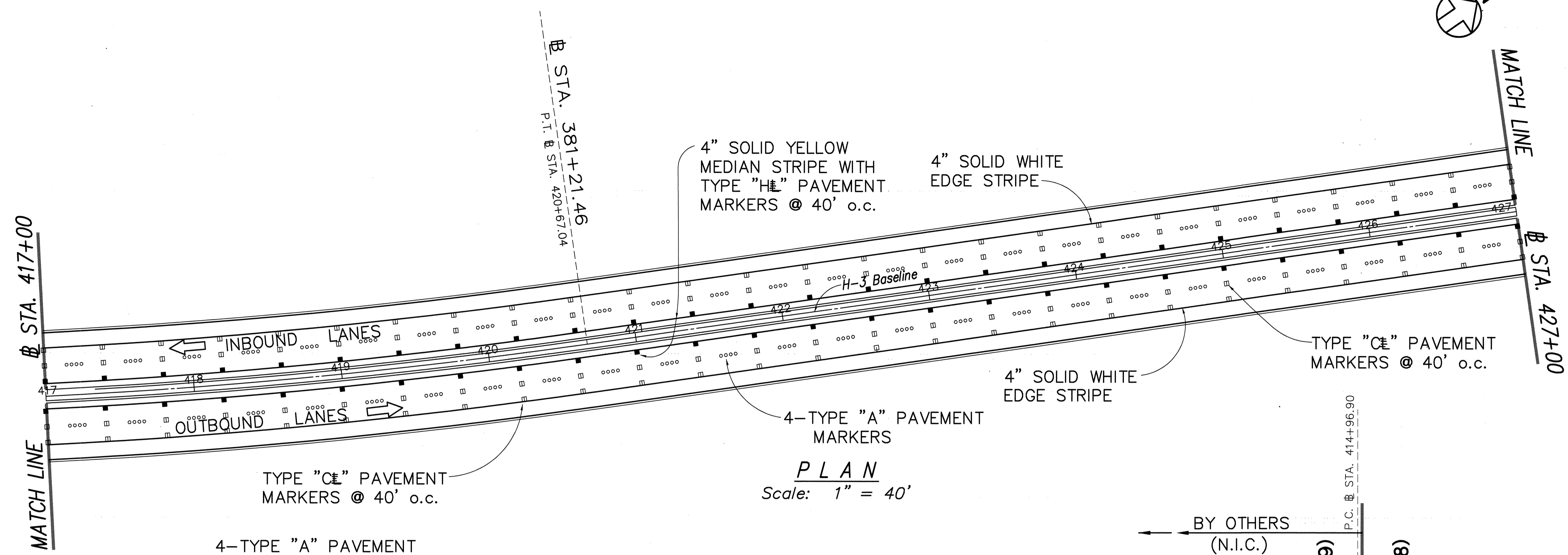
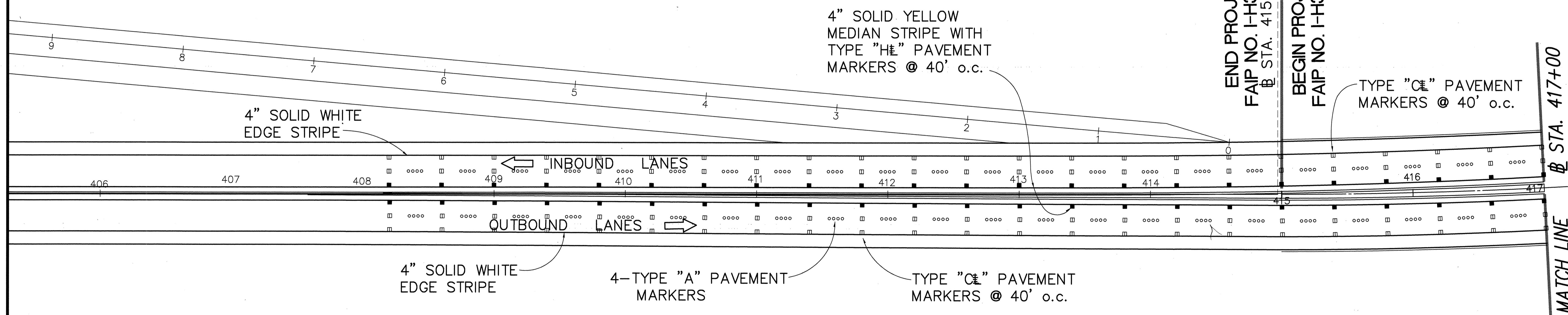


FED. ROAD DIST. NO.	STATE	PROJ. NO.	FISCAL YEAR	SHEET NO.	TOTAL SHEETS
HAWAII	HAW.	I-H3-1(68)	1994	93	470

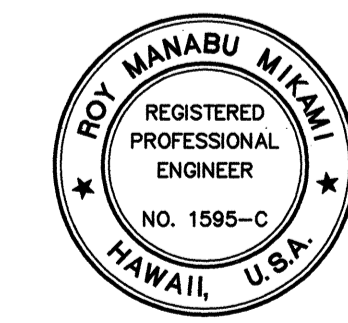


PLAN
Scale: 1" = 40'



PLAN
Scale: 1" = 40'

NOTE:
REFERENCES TO "CL" AND "HL" SHALL BE REVISED TO READ "C" AND "H".
REVISIONS REQUIRED BY ADDENDUM NO. 3.



THIS WORK WAS PREPARED BY ME OR UNDER MY SUPERVISION
Roy Manabu Miki
PerEn, Inc.
dba PARK ENGINEERING

STATE OF HAWAII
DEPARTMENT OF TRANSPORTATION
HIGHWAYS DIVISION

SIGNING AND STRIPING PLAN
B STA. 415+00 TO B STA. 427+00

INTERSTATE ROUTE H-3
North Halawa Valley Highway, Unit I, Phase IB
F.A.I. PROJECT NO. I-H3-(68)

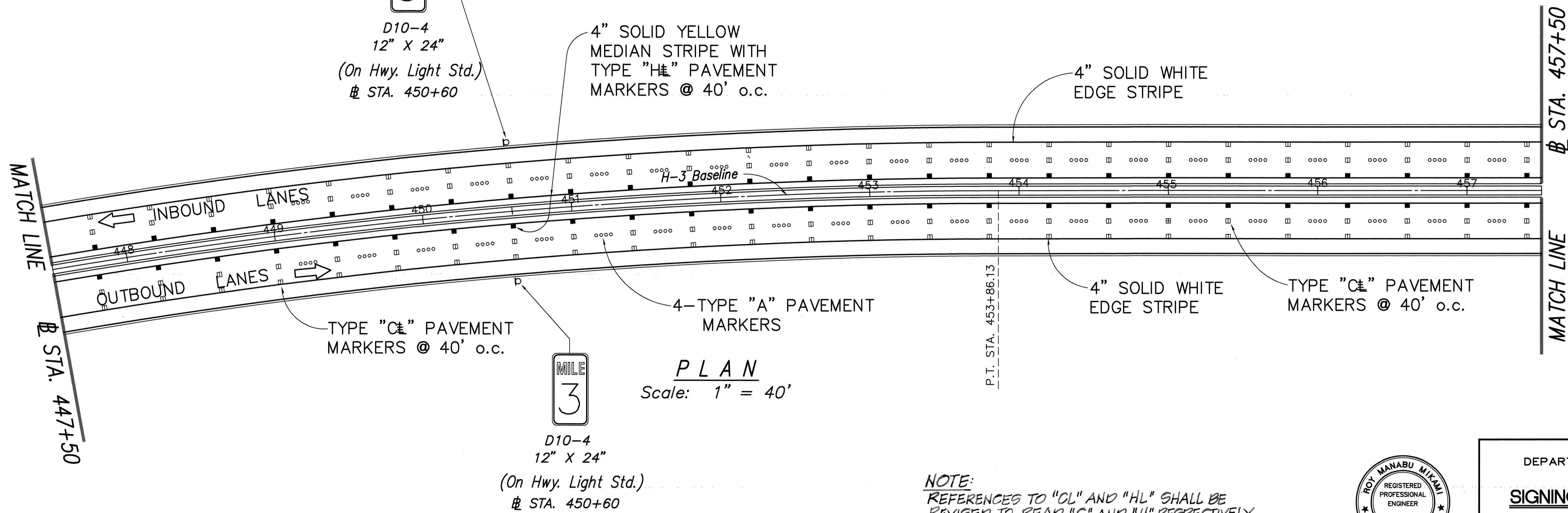
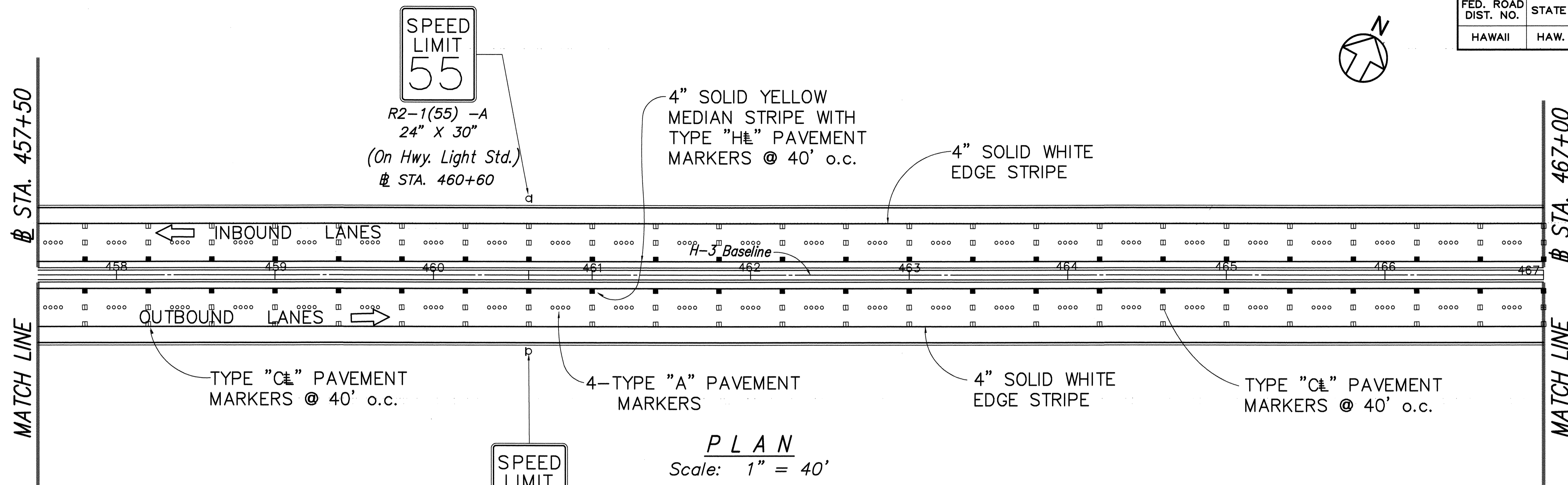
SCALE: AS NOTED DATE: MAR. 1994
SHEET No. SS1 OF 6 SHEETS

DATE	
SURVEY PLOTTED BY	
TRACED BY	
DESIGNED BY	
NOTE BOOK	
QUANTITIES BY	
CHECKED BY	
No.	

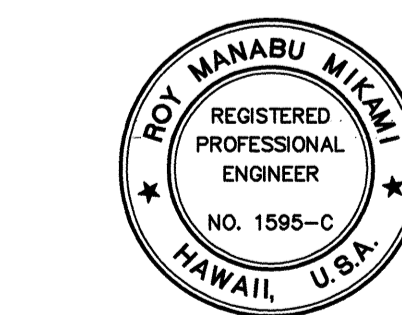
ROTATED: 47' 10' 57"
BASE PT. 0.0

LIB. STATE DOT/VI-5V-1030A
5/21/94 RSO

FED. ROAD DIST. NO.	STATE	PROJ. NO.	FISCAL YEAR	SHEET NO.	TOTAL SHEETS
HAWAII	HAW.	I-H3-1(68)	1994	95	470



NOTE:
REFERENCES TO "CL" AND "HL" SHALL BE REVISED TO READ "C" AND "H" RESPECTIVELY.
REVISIONS REQUIRED BY ADDENDUM NO. 3.



THIS WORK WAS PREPARED BY ME OR UNDER MY SUPERVISION
 Roy Manabu Mikami
 PAREN, INC.
 d/b/a PARK ENGINEERING

STATE OF HAWAII
 DEPARTMENT OF TRANSPORTATION
 HIGHWAYS DIVISION

SIGNING AND STRIPING PLAN
 # STA. 447+50 TO # STA. 467+00

INTERSTATE ROUTE H-3
 North Halawa Valley Highway, Unit I, Phase 1B
 F.A.I. PROJECT NO. I-H3-(68)

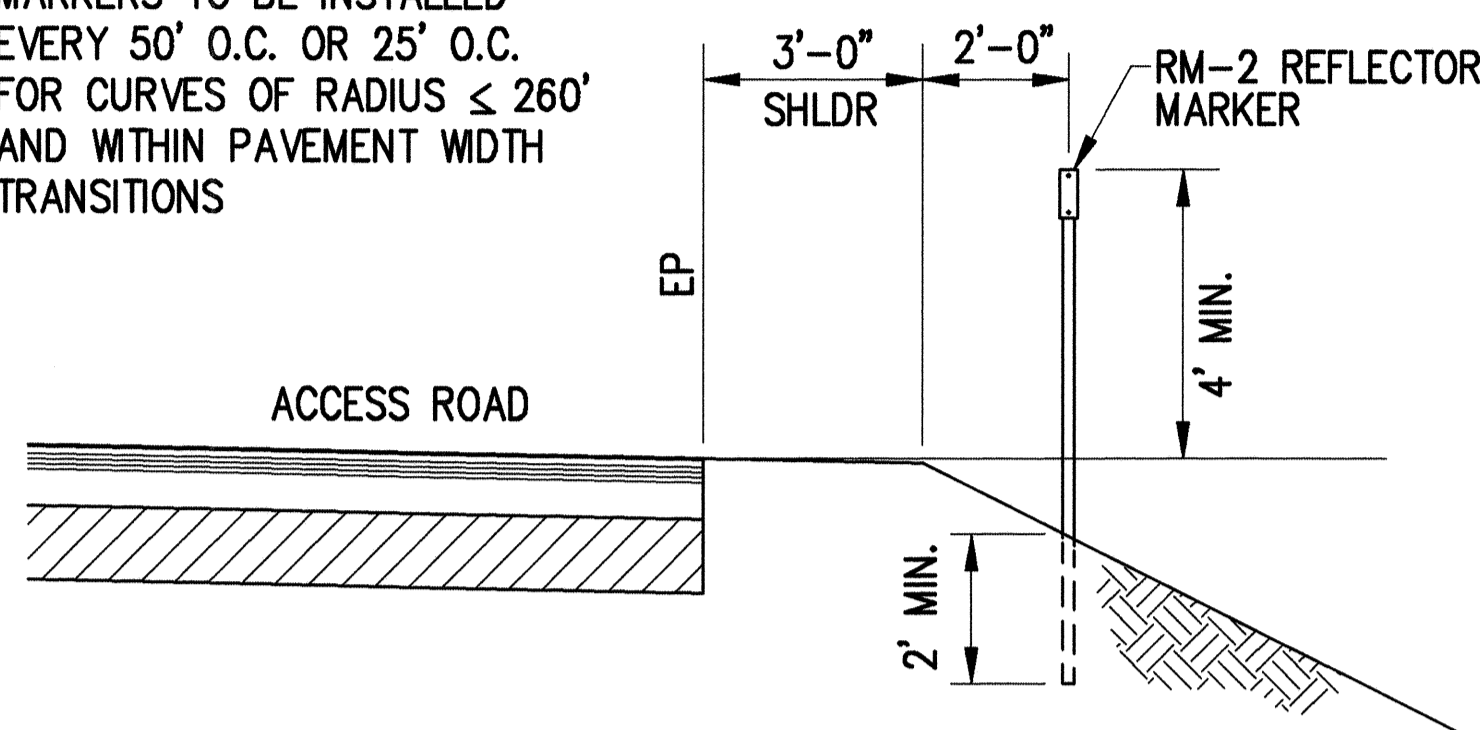
SCALE: AS NOTED DATE: MAR. 1994
 SHEET No. SS3 OF 6 SHEETS

SURVEY PLOTTED BY	DATE
DESIGNED BY	
TRACED BY	
NOTE BOOK	
QUANTITIES BY	
CHECKED BY	

ROTATED: 28' 18" 37"
 BASE PT. 0,0

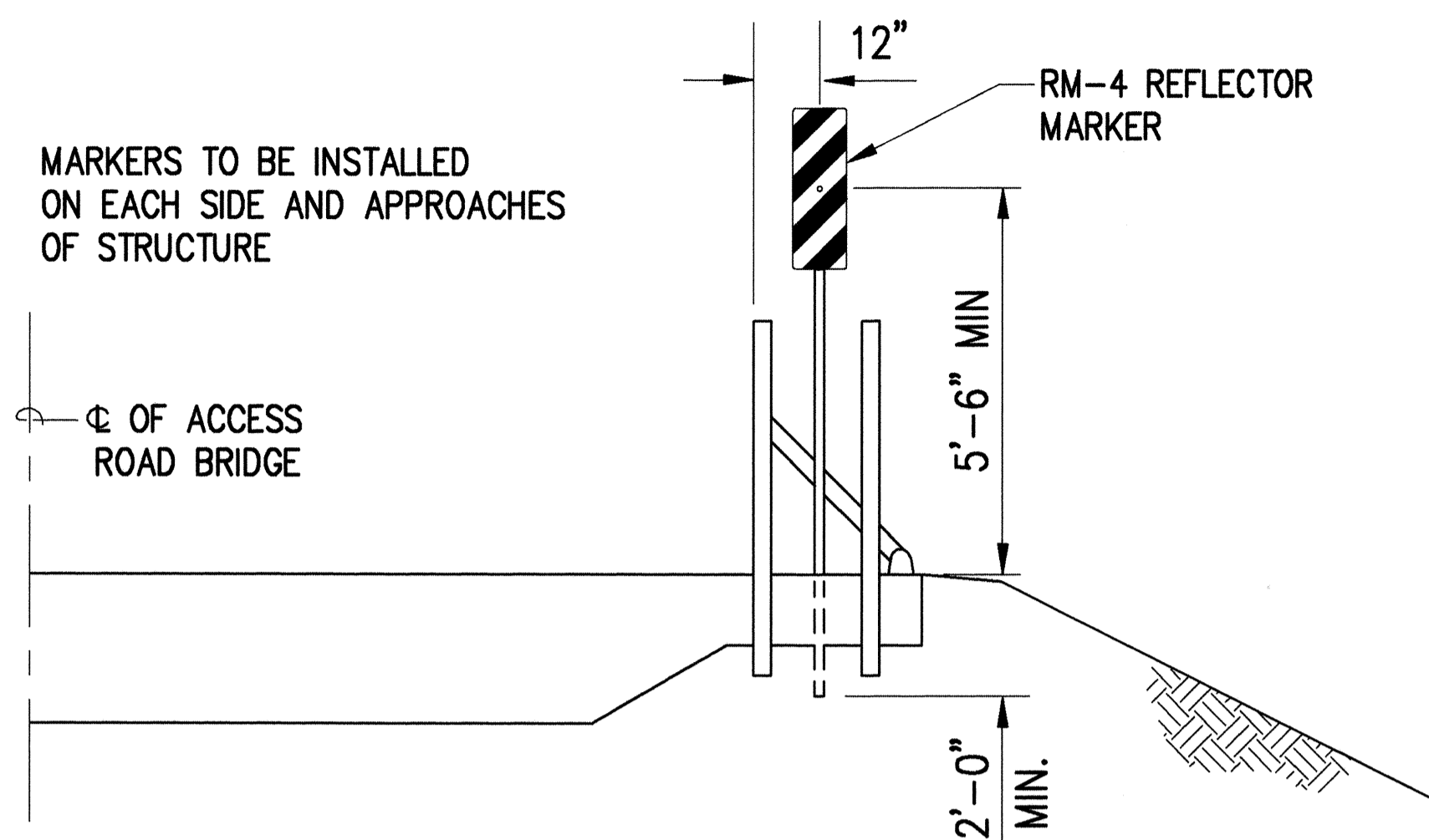
FED. ROAD DIST. NO.	STATE	PROJ. NO.	FISCAL YEAR	SHEET NO.	TOTAL SHEETS
HAWAII	HAW.	I-H3-1(68)	1994	97	470

NOTE:
MARKERS TO BE INSTALLED EVERY 50' O.C. OR 25' O.C. FOR CURVES OF RADIUS \leq 260' AND WITHIN PAVEMENT WIDTH TRANSITIONS



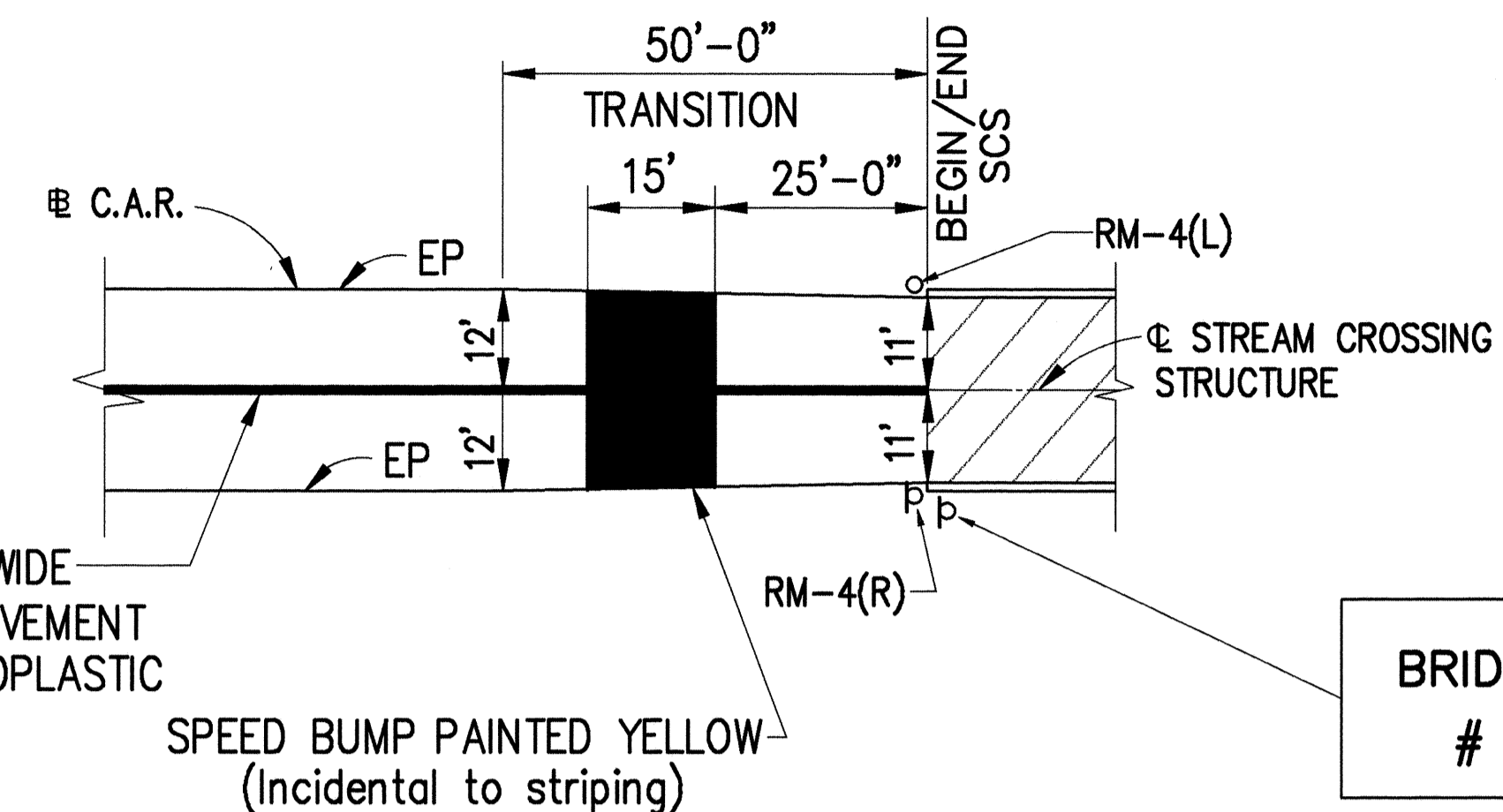
REFLECTOR MARKER MOUNTING DETAIL
N.T.S.

MARKERS TO BE INSTALLED ON EACH SIDE AND APPROACHES OF STRUCTURE



MARKERS AT STREAM CROSSING STRUCTURES
N.T.S.

CENTER LINE 4" WIDE YELLOW SOLID PAVEMENT STRIPING (THERMOPLASTIC EXTRUSION)



NOTE:

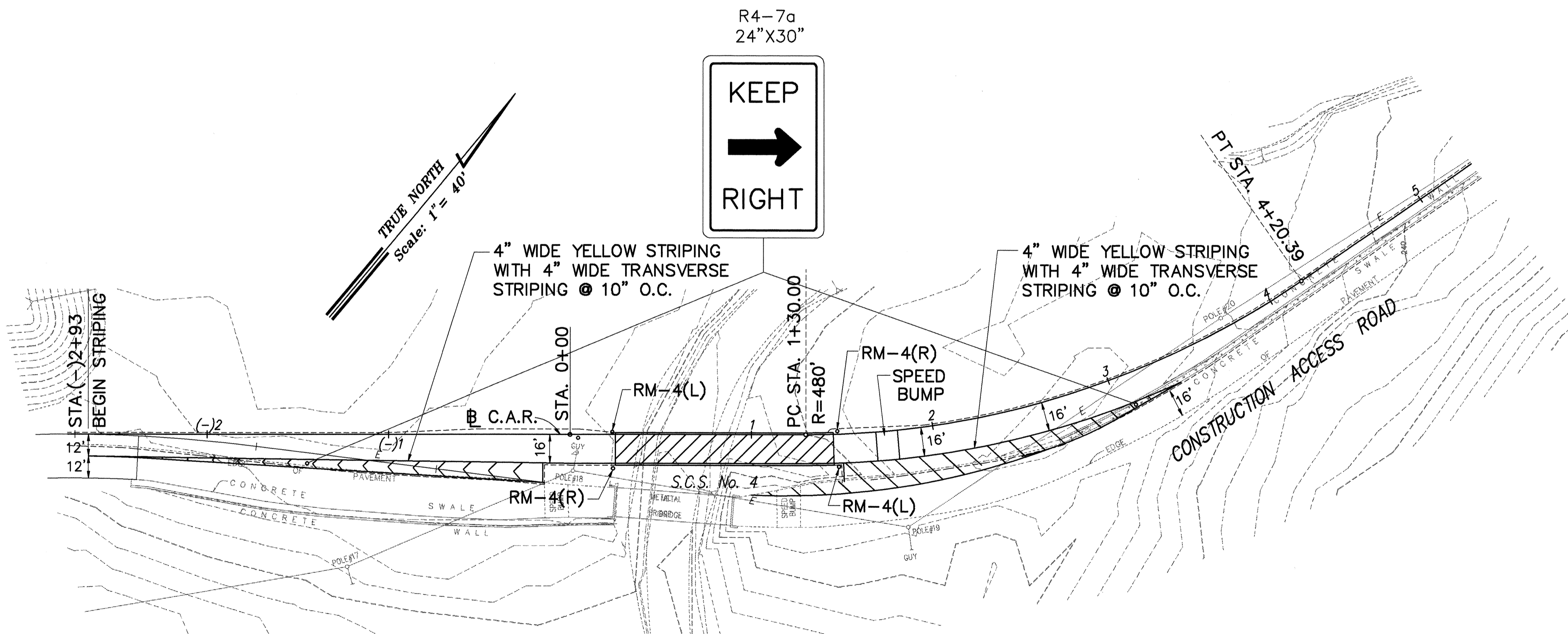
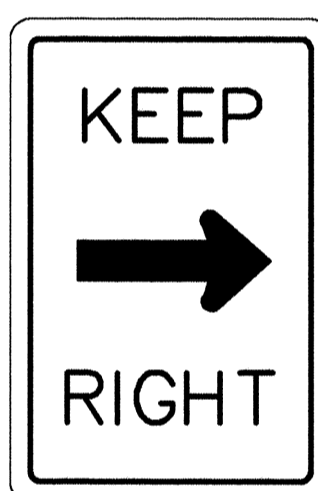
STREAM CROSSING STRUCTURE BRIDGE NUMBERING TO BE DETERMINED BY THE ENGINEER IN THE FIELD.

BRIDGE #

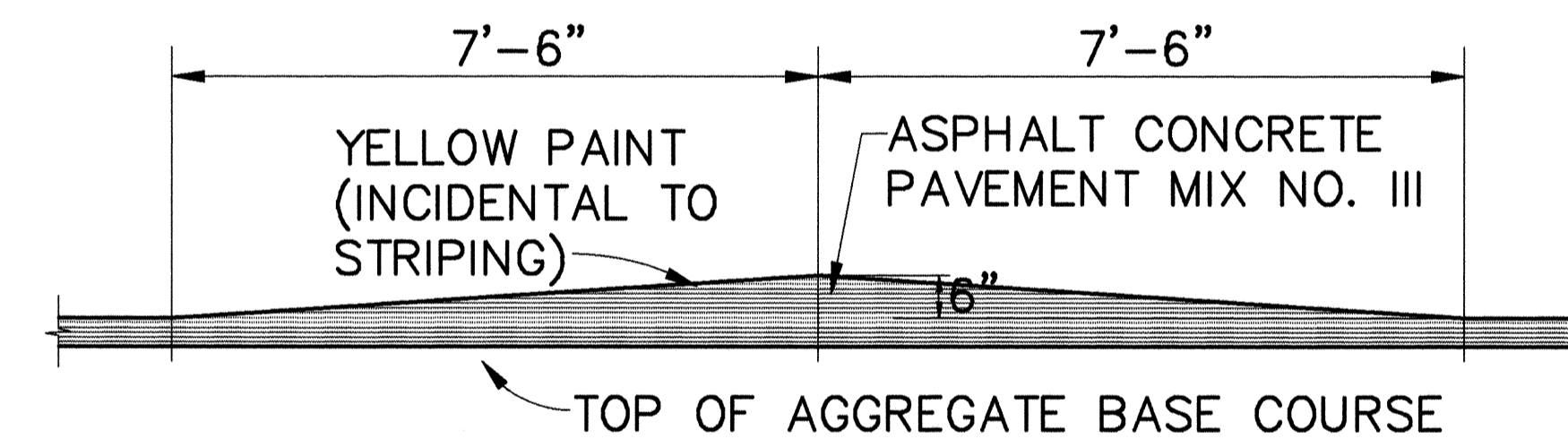
WEIGHT LIMIT
18 TON PER AXLE
36 TONS GROSS

TYPICAL C.A.R. STRIPING AND S.C.S. APPROACHES
SCALE: 1" = 20'

R4-7a
24" X 30"



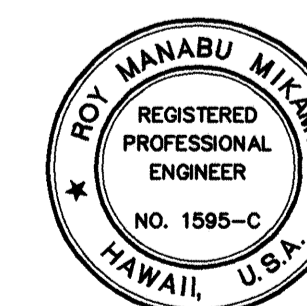
STRIPING PLAN AT S.C.S. NO. 4
SCALE: 1" = 40'



SPEED BUMP
SCALE: 1/2" = 1'-0"

ORIGINAL PLAN	DATE
SURVEY PLOTTED BY	
TRACED BY	
DESIGNED BY	
QUANTITIES BY	
CHECKED BY	
No.	

7/12/94	Revised Typical CAR Striping and SCS Approaches Detail
DATE	REVISION



THIS WORK WAS PREPARED BY ME OR UNDER MY SUPERVISION
Roy Manabu Miemi
ParEn, Inc.
dba PARK ENGINEERING

STATE OF HAWAII
DEPARTMENT OF TRANSPORTATION
HIGHWAYS DIVISION

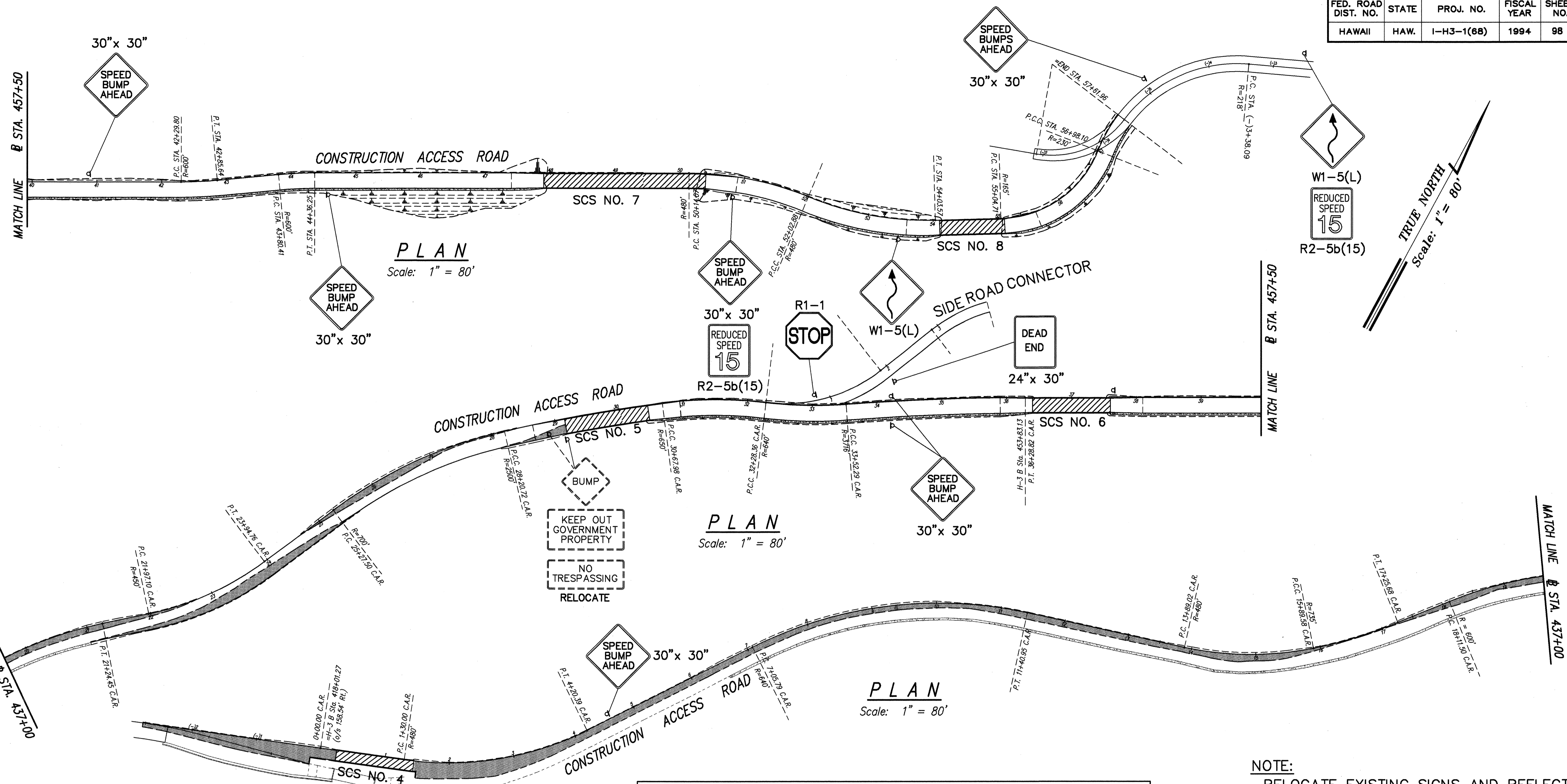
CONSTRUCTION ACCESS ROAD STRIPING, SIGNAGE AND DETAILS

INTERSTATE ROUTE H-3
North Halawa Valley Highway, Unit I, Phase IB
F.A.I. PROJECT NO. I-H3-(68)

SCALE: AS NOTED DATE: MAR. 1994

SHEET NO. 55 OF 5 SHEETS

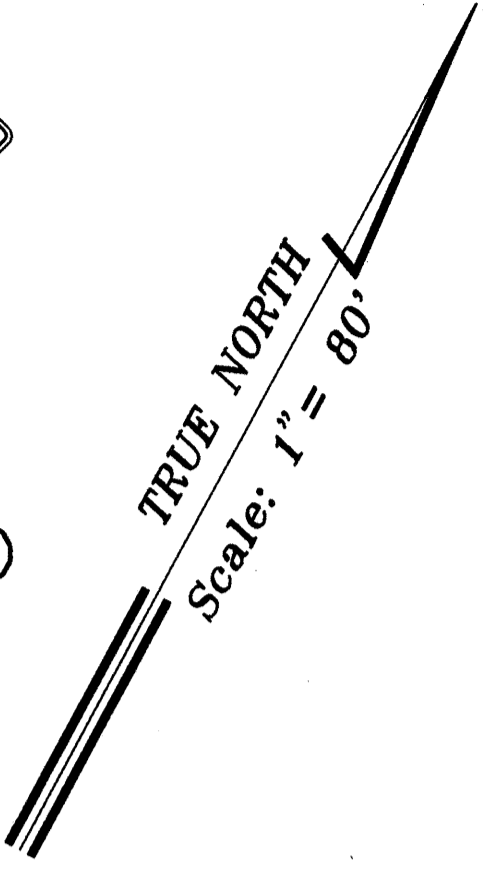
FED. ROAD DIST. NO.	STATE	PROJ. NO.	FISCAL YEAR	SHEET NO.	TOTAL SHEETS
HAWAII	HAW.	I-H3-1(68)	1994	98	470



PLAN
Scale: 1" = 80'

PLAN
Scale: 1" = 80'

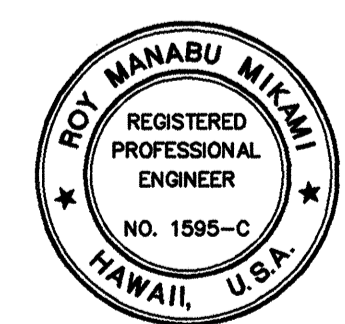
PLAN
Scale: 1" = 80'



**TABLE OF REFLECTOR LOCATIONS
ALONG CONSTRUCTION ACCESS ROAD**

LOCATION	RELOCATED RM-2	RM-2	RM-4(L)	RM-4(R)
STA. (-)0+75 LT. TO STA. (-)0+25 LT. S.C.S. NO. 4		1	2	2
STA. 6+50 LT. TO STA. 10+00 LT. STA. 14+00 TO STA. 18+50 LT.	8 10			
STA. 22+00 LT. TO STA. 25+00 LT. STA. 25+00 LT. TO STA. 27+50 LT. S.C.S. NO. 5	9 10		2	2
S.C.S. NO. 6		5	2	2
STA. 40+00 LT. TO STA. 42+00 LT. STA. 47+40 LT. TO STA. 47+90 LT. S.C.S. NO. 7		1	2	2
STA. 50+40 LT. TO STA. 50+90 LT. STA. 50+40 RT. TO STA. 52+00 RT. S.C.S. NO. 8		1 4	2	2
TOTALS	37	12	10	10

NOTE:
RELOCATE EXISTING SIGNS AND REFLECTOR MARKERS FROM C.A.R. STA. 1+00 LT. TO C.A.R. STA. 29+00 LT. TO WIDEN EDGE OF SHOULDER.



THIS WORK WAS PREPARED BY ME OR UNDER MY SUPERVISION
Roy Manabu Mikami
P.O. BOX 100
800 PARK ENGINEERING

STATE OF HAWAII
DEPARTMENT OF TRANSPORTATION
HIGHWAYS DIVISION

**CONSTRUCTION ACCESS ROAD
SIGNAGE**

INTERSTATE ROUTE H-3
North Halawa Valley Highway, Unit I, Phase IB
F.A.I. PROJECT NO. I-H3-(68)

SCALE: AS NOTED DATE: MAR. 1994
SHEET No. SS6 OF 6 SHEETS

DESIGNED BY	DATE
DRAWN BY	
CHECKED BY	
IN CHARGE	
DATE	
NO.	