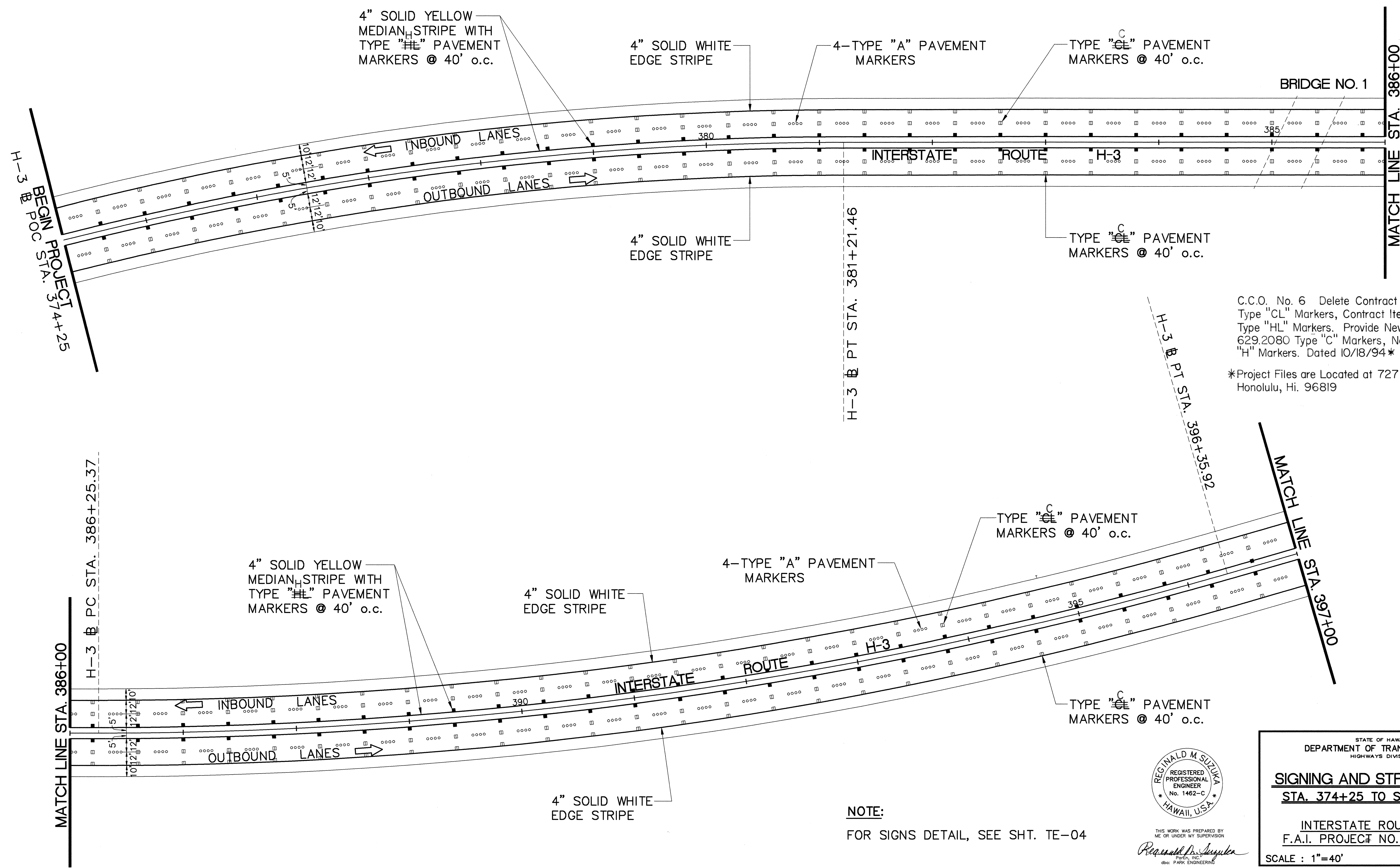
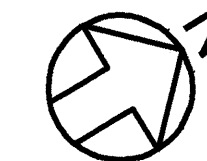


FED. ROAD DIS. NO.	STATE	FED. AID PROJ. NO.	FISCAL YEAR	SHEET NO.	TOTAL SHEETS
HAWAII	HAW.	I-H3-1(59)	1993	98	211



C.C.O. No. 6 Delete Contract Item No. 629.3030
 Type "CL" Markers, Contract Item No. 629.2070
 Type "HL" Markers. Provide New Work Item No.
 629.2080 Type "C" Markers, No. 629.2090 Type
 "H" Markers. Dated 10/18/94*
 *Project Files are Located at 727 Kakoi St.
 Honolulu, Hi. 96819

DATE	_____
DESIGNED BY	_____
DRAWN BY	_____
CHECKED BY	_____
APPROVED BY	_____
DATE	_____

NOTE:
 FOR SIGNS DETAIL, SEE SHT. TE-04



THIS WORK WAS PREPARED BY
 ME OR UNDER MY SUPERVISION
Richard M. Suzuki
 RICHARD M. SUZUKA, INC.
 dba: PARK ENGINEERING

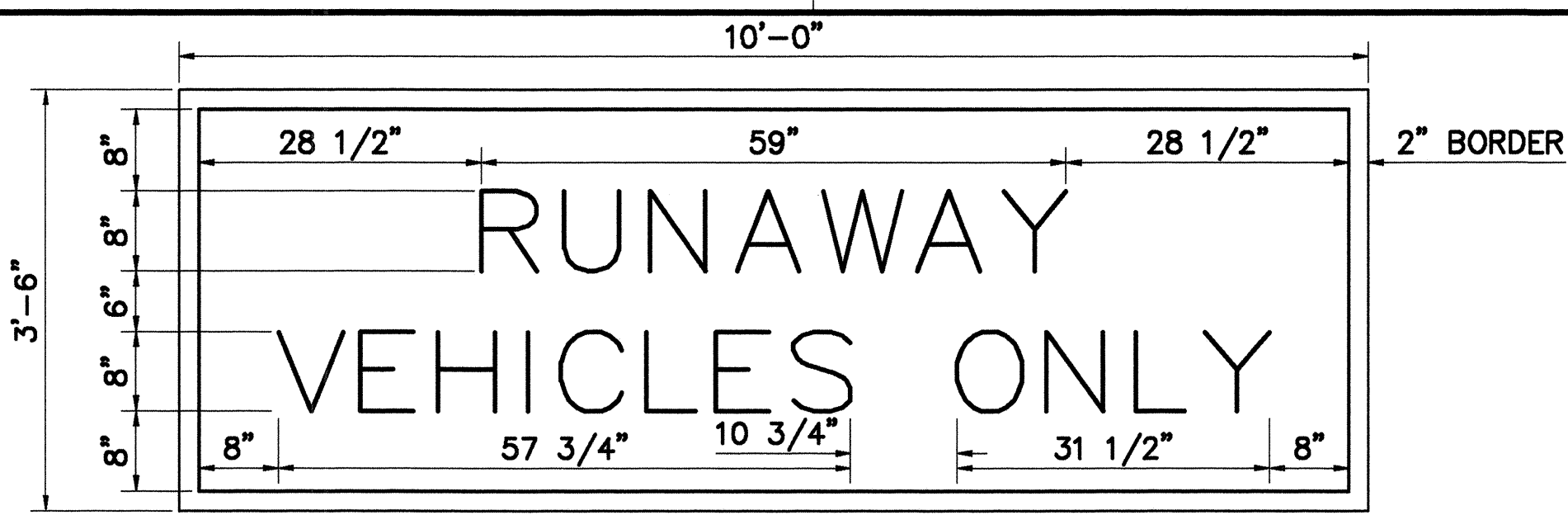
STATE OF HAWAII
 DEPARTMENT OF TRANSPORTATION
 HIGHWAYS DIVISION

SIGNING AND STRIPING PLAN
STA. 374+25 TO STA. 397+00

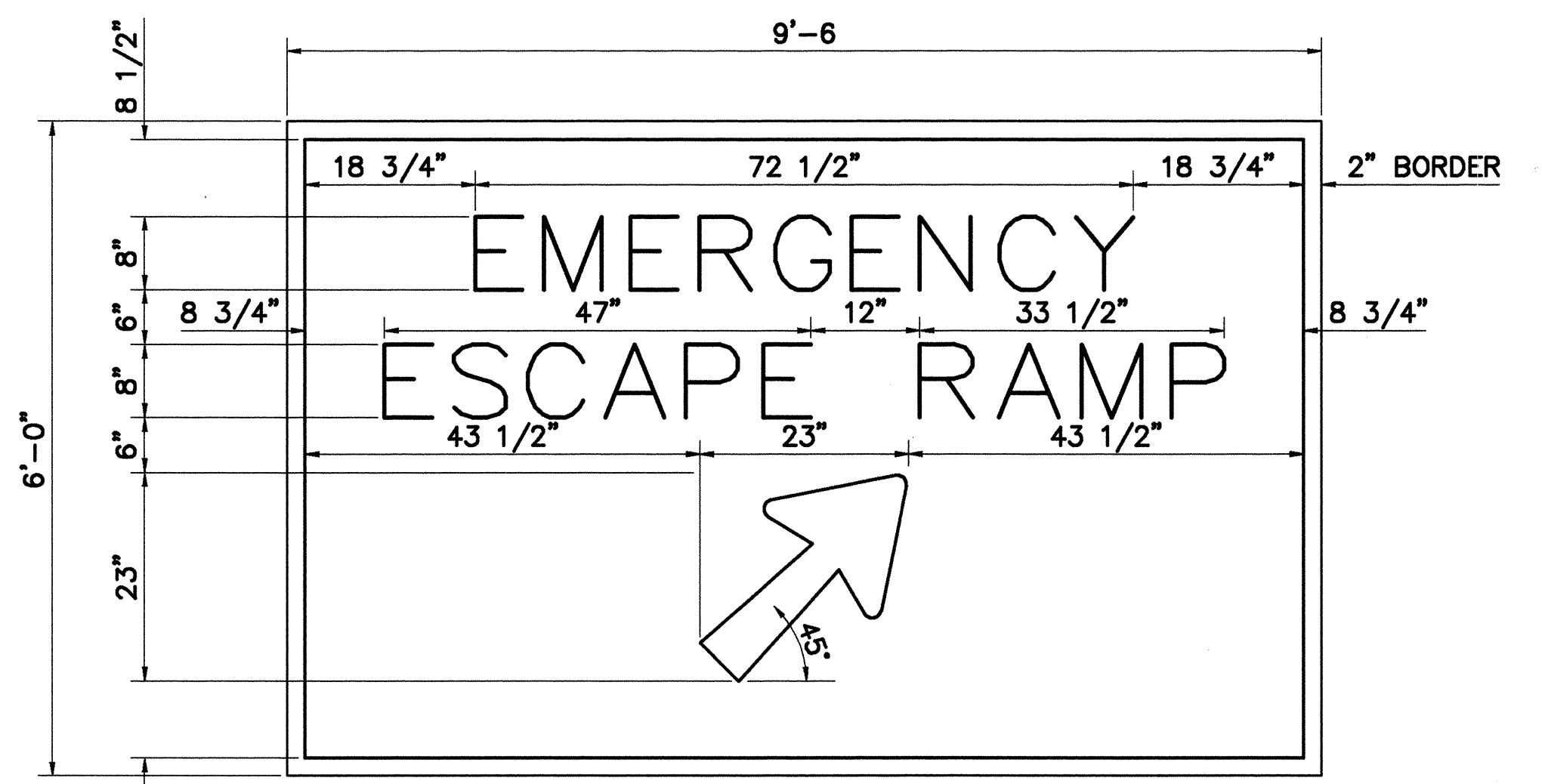
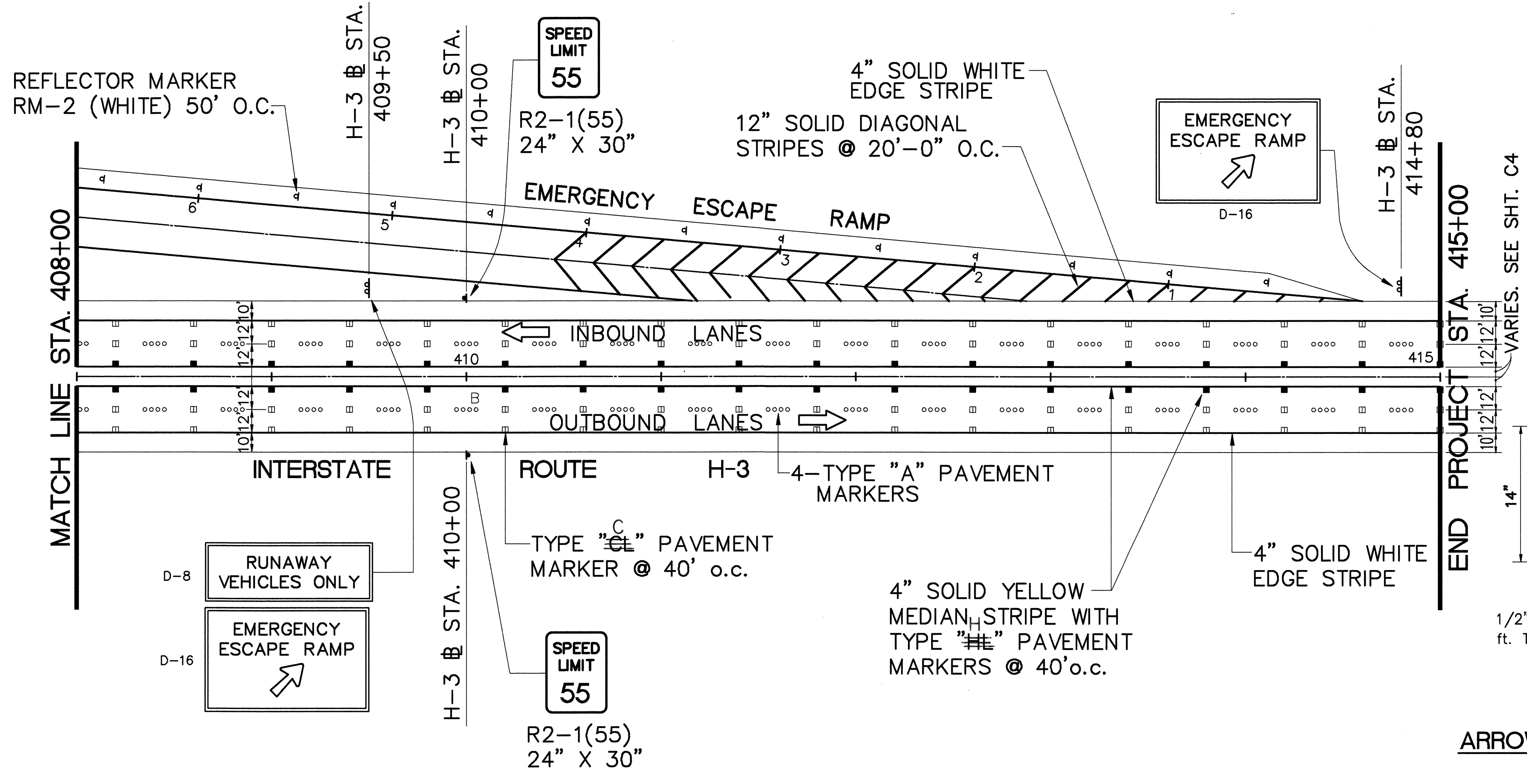
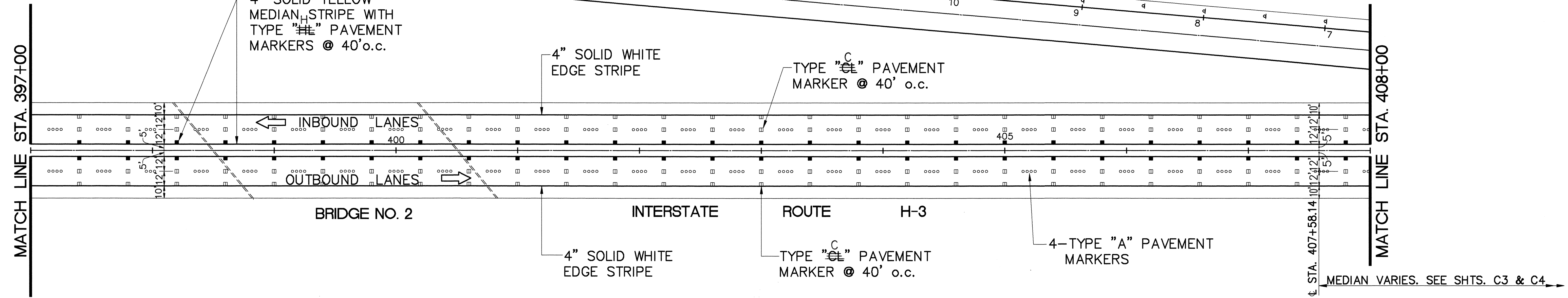
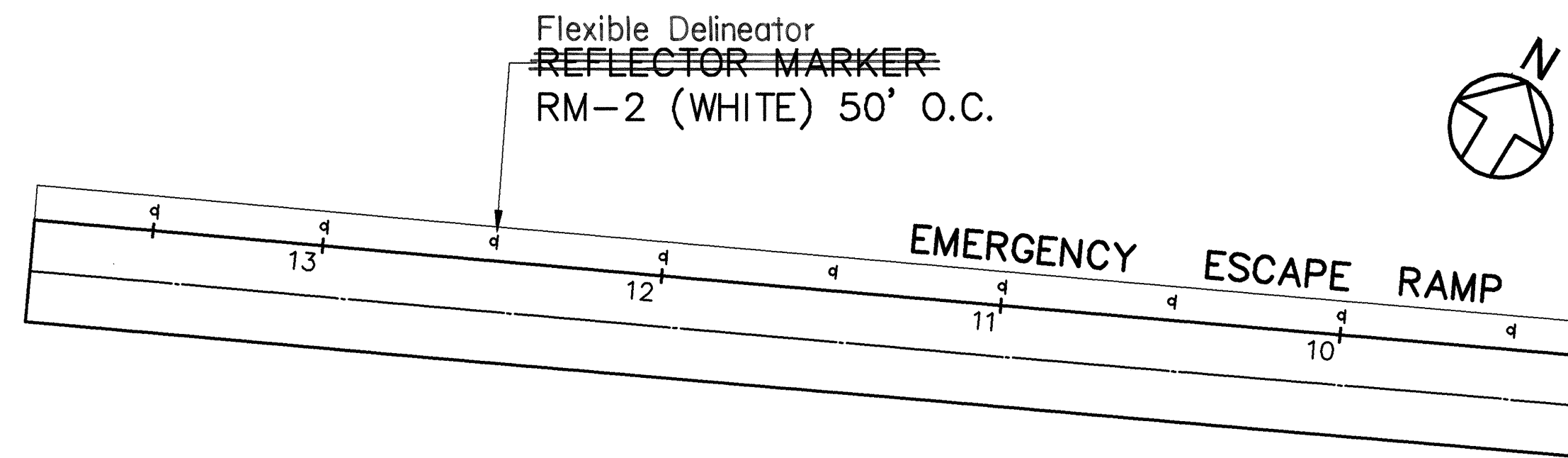
INTERSTATE ROUTE H-3
 F.A.I. PROJECT NO. I-H3-1(59)

SCALE : 1"=40' DATE: JUNE 1993
 SHEET No. SS1 OF 2 SHEETS

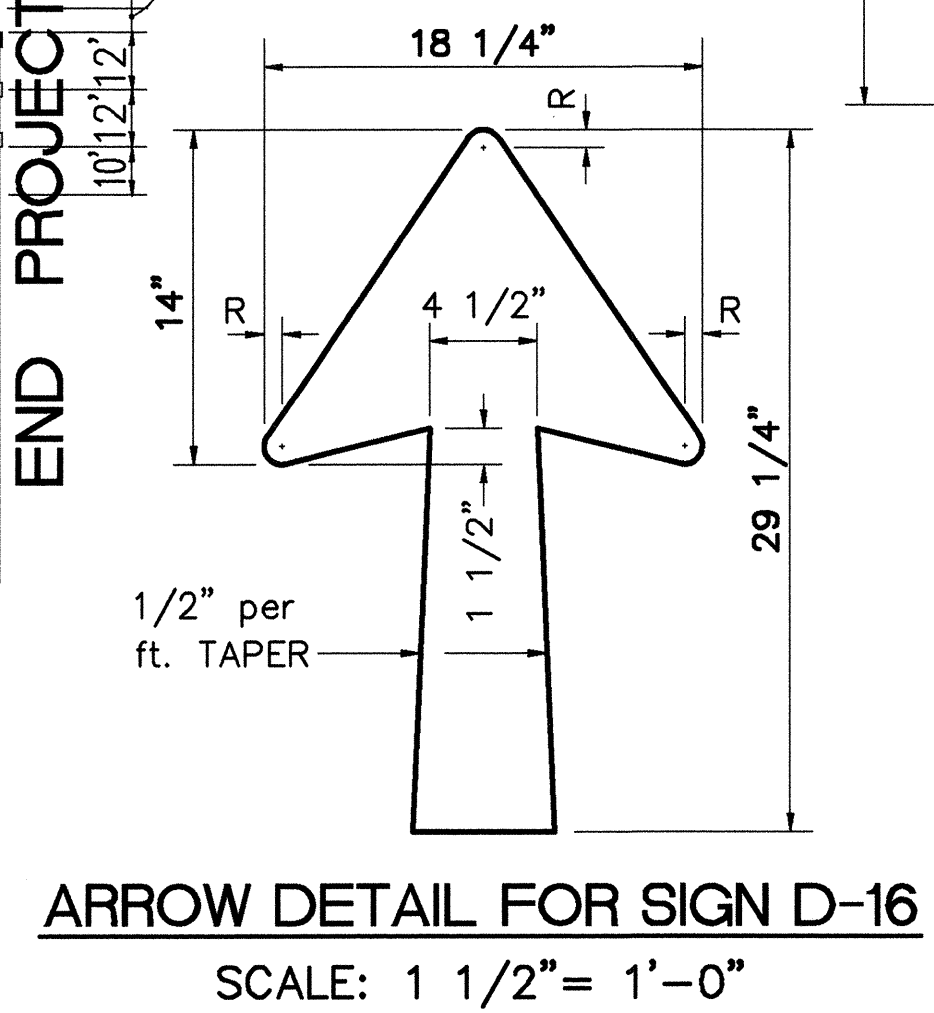
FED. ROAD DIS. NO.	STATE	FED. AID PROJ. NO.	FISCAL YEAR	SHEET NO.	TOTAL SHEETS
HAWAII	HAW.	I-H3-1(59)	1993	99	211



SIGN D-8
SCALE: 3/4" = 1'-0"

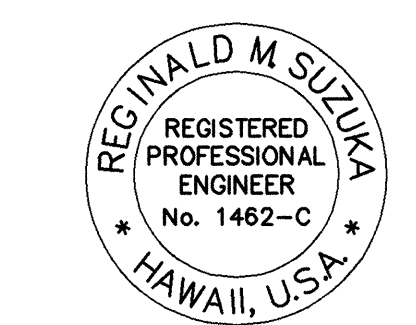


SIGN D-16
SCALE: 3/4" = 1'-0"



ARROW DETAIL FOR SIGN D-16
SCALE: 1 1/2" = 1'-0"

SURVEY PLOTTED BY	DATE
DRAWN BY	
DESIGNED BY	
QUANTITIES BY	
CHECKED BY	
ORIGINAL PLAN	
NO. _____	



THIS WORK WAS PREPARED BY ME OR UNDER MY SUPERVISION
Reginald M. Suzuki
P.O. BOX 100
DUNEDIN, HAWAII

STATE OF HAWAII
DEPARTMENT OF TRANSPORTATION
HIGHWAYS DIVISION

SIGNING AND STRIPING PLAN
STA. 397+00 TO STA. 415+00

INTERSTATE ROUTE H-3
F.A.I. PROJECT NO. I-H3-1(59)

SCALE: 1" = 40' DATE: JUNE 1993
SHEET No. SS2 OF 2 SHEETS