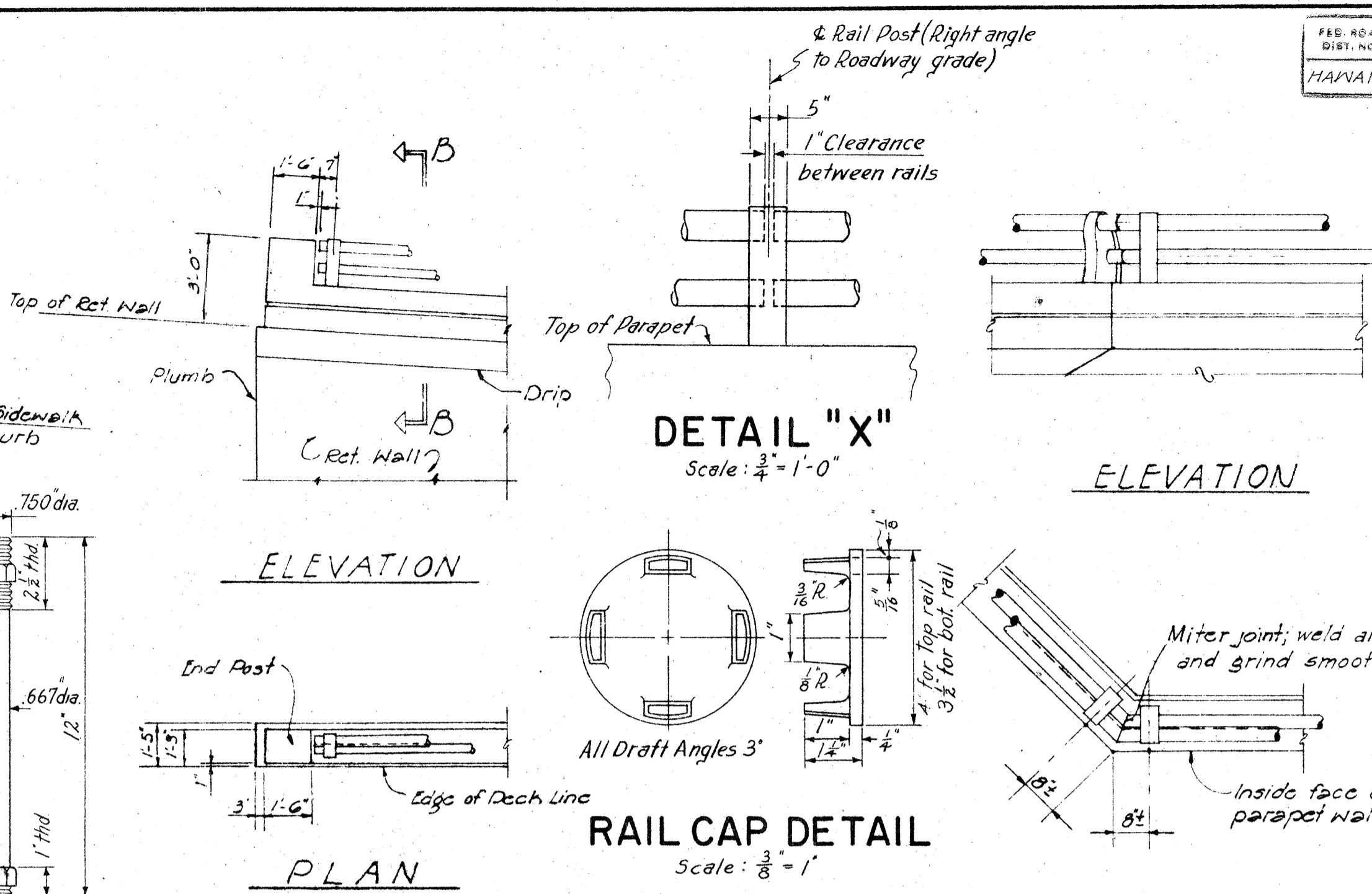
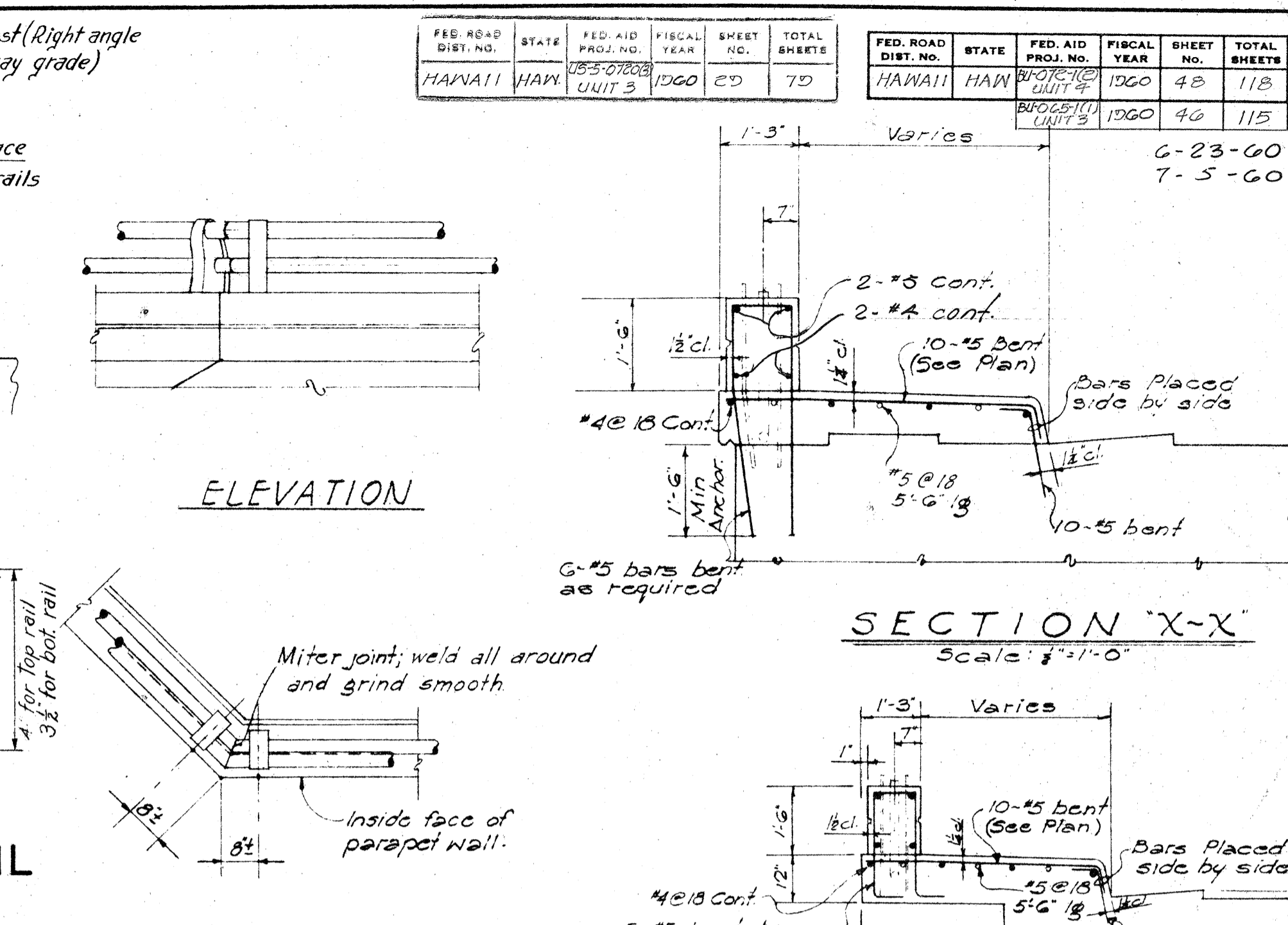


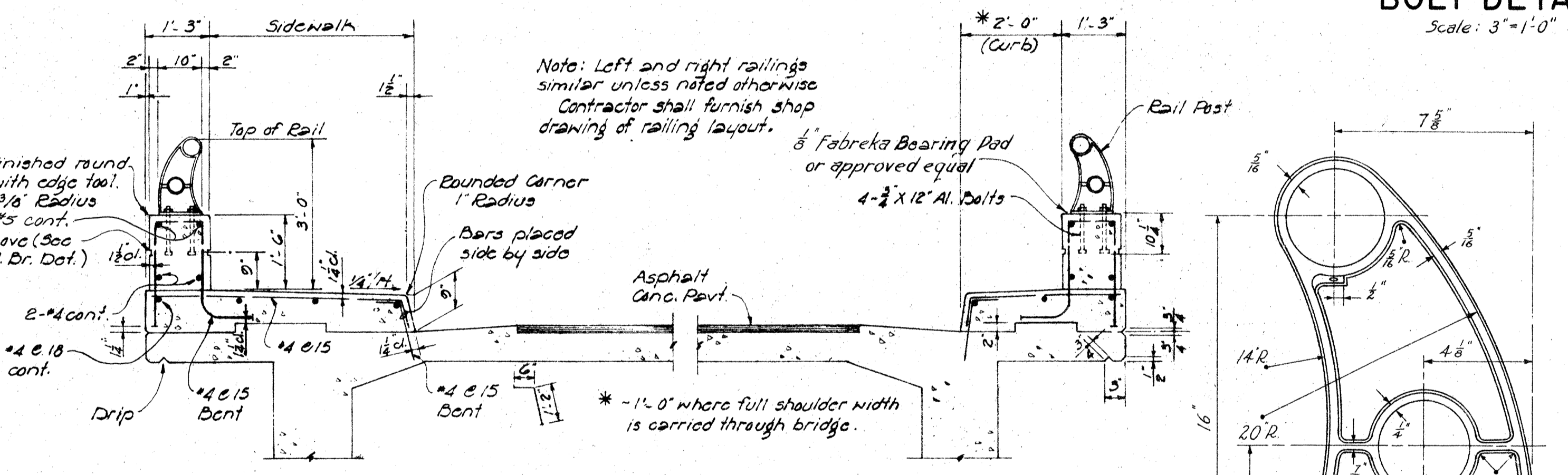
ALUMINUM RAILING DETAIL
Scale - 1/4" = 1'-0"



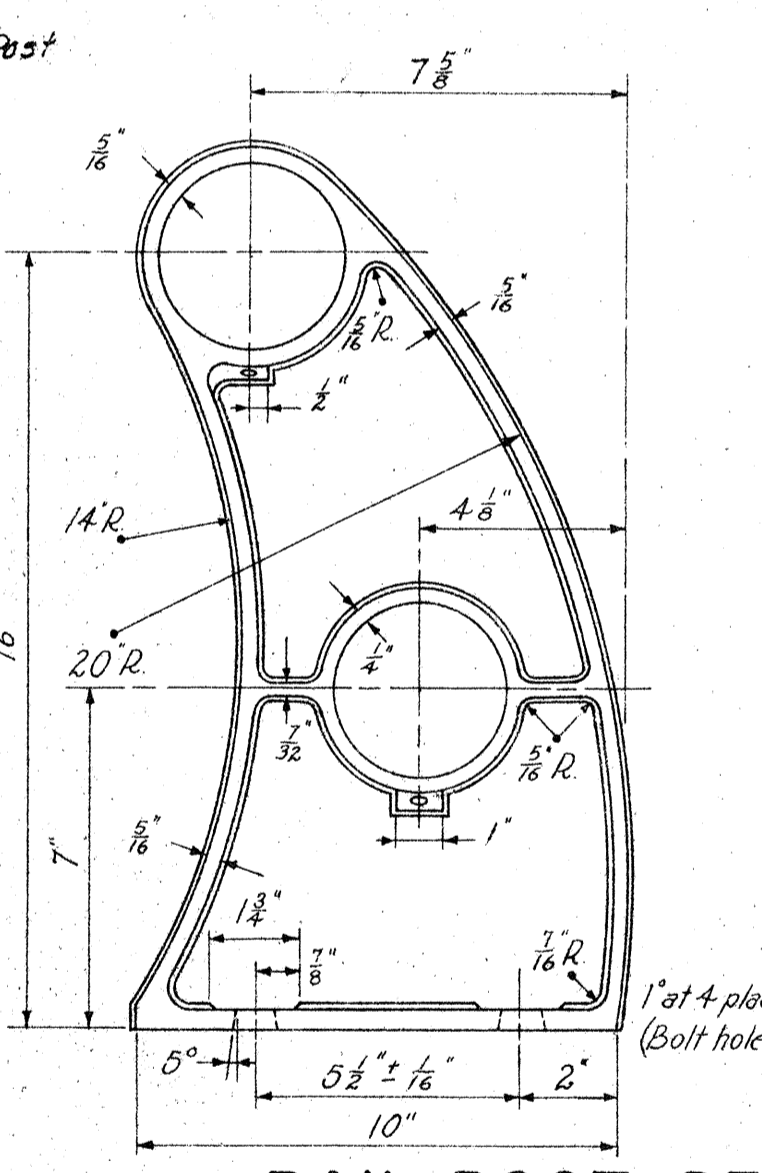
ANCHOR TREATMENT OF RAILING BOLT DETAIL ON RETAINING WALL
Scale: 3" = 1'-0"



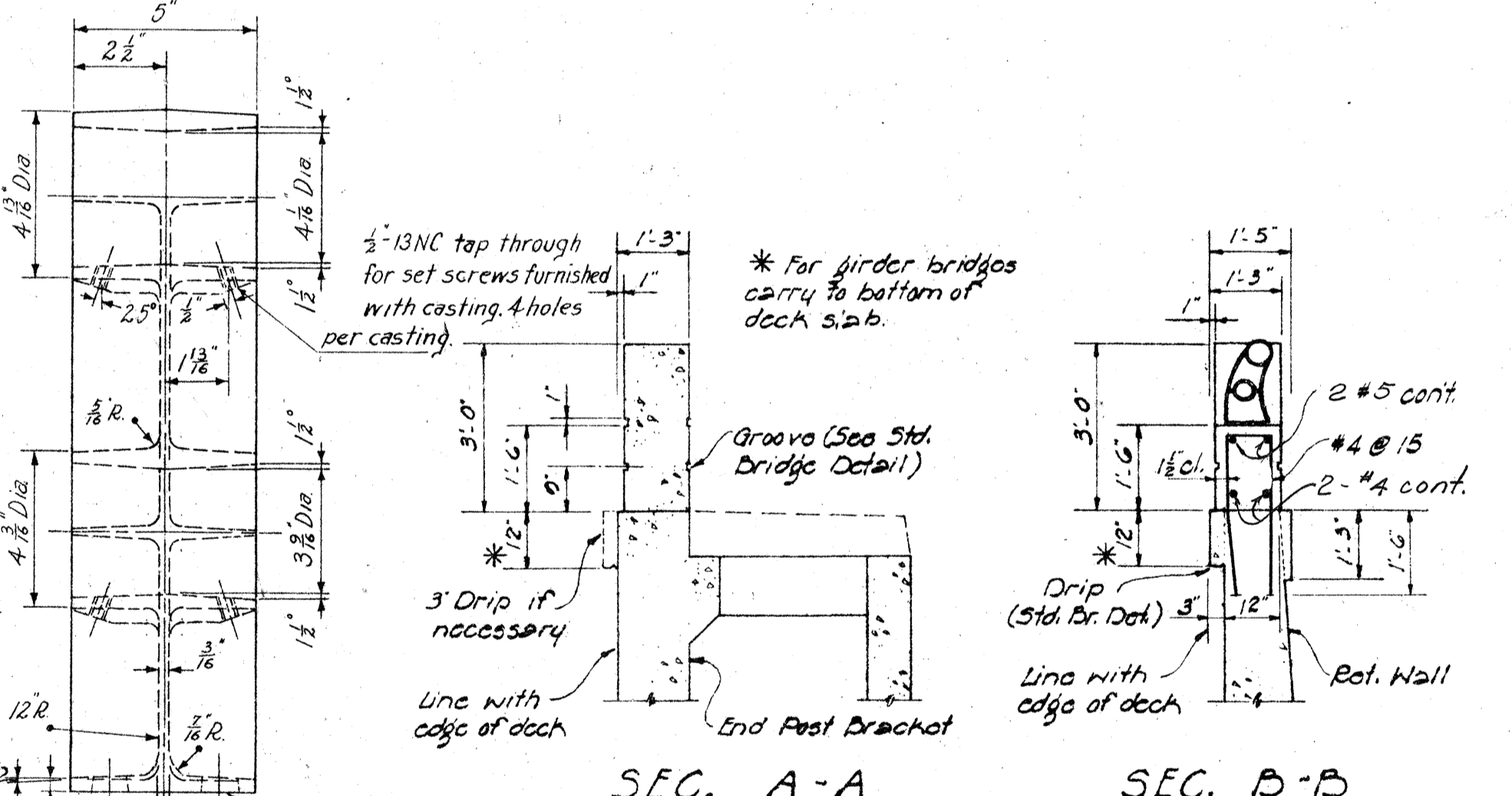
TREATMENT OF RAILING AT SKEWED JOINT
Scale: 3/8" = 1'-0"



TYPICAL SECTION
Scale - 1/2" = 1'-0"



RAIL POST DETAIL
Scale: 3" = 1'-0"



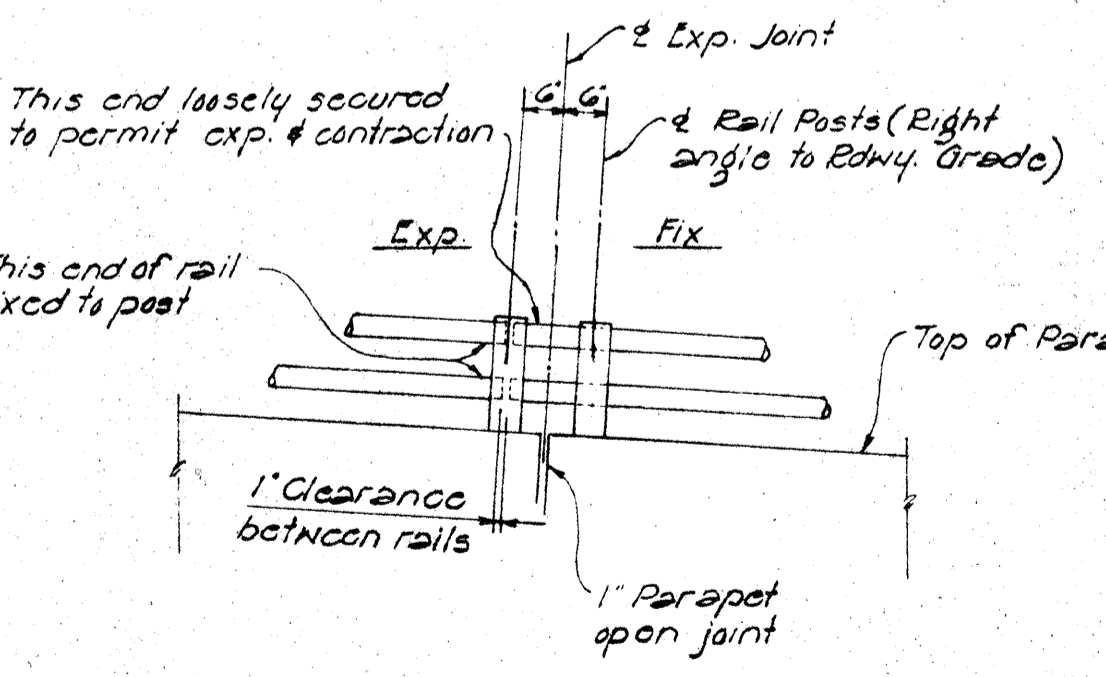
SECTIONS
Scale - 3/8" = 1'-0"

GENERAL NOTE
Except where detailed otherwise in the plans, all details on this sheet govern.
Aluminum railing concrete parapet & end post to receive "Class 2 Surface Finish."

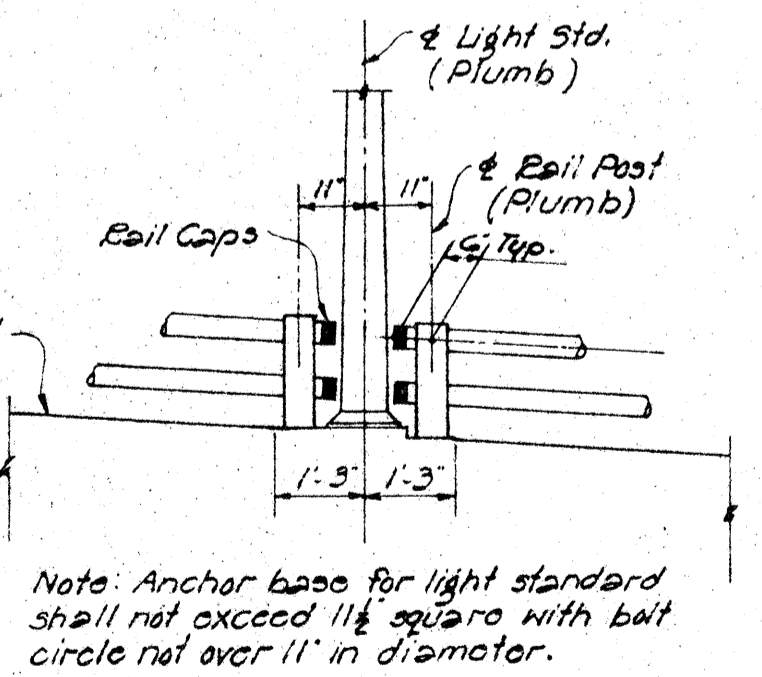
SPECIFICATION FOR ALUMINUM RAILING

ITEM	DESCRIPTION	ALLOY	UNIT WT.
Top Rail	Al. Alloy Drawn Or Extruded Tube 4" o.d. x 1/8" thick wall.	6061-T6	1.79 #/ft.
Bot. Rail	Al. Alloy Drawn Or Extruded Tube 3 1/2" o.d. x 1/8" thick wall.	6061-T6	1.56 #/ft.
* Rail Post	Permanent Mold Casting. See Rail Post Detail.	Post A356-T6 Bot Sc. 2024-T4	160 #/ea.
Rail Cap	See Rail Cap Detail	Cap 356-T6	Top -.415 #/ea. Bot -.340 #/ea.
Bolts	See Anchor Bolt Detail. Provide Hexagon Nut and Plain Washer	Bolt 2024-T4 Nut 6061-T6 Washer 2024-T4	

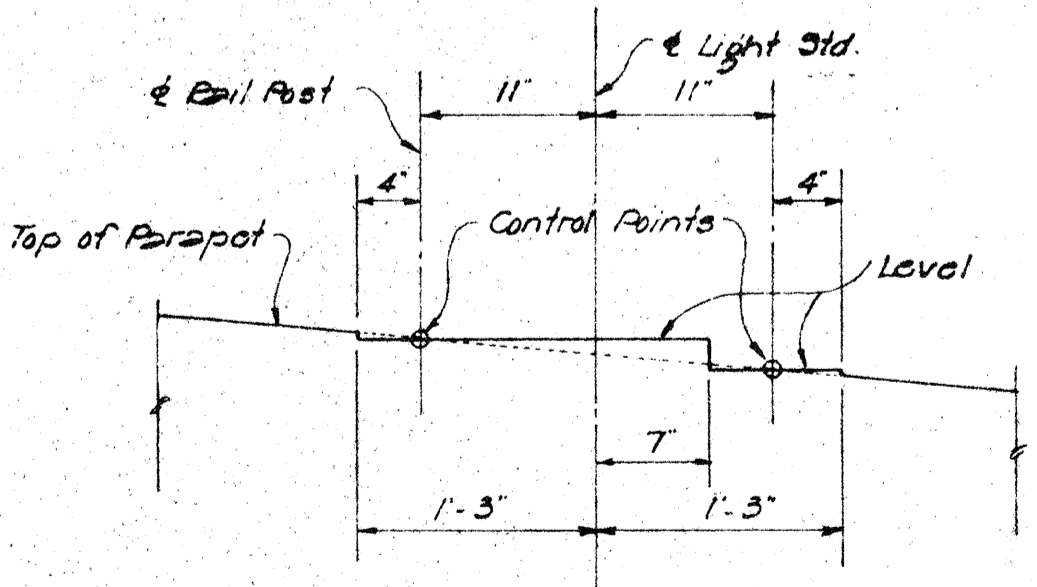
* Rail Post Finish: Front, top and rear faces of post shall receive a standard scratch brush finish, to be approved by the Engineer.



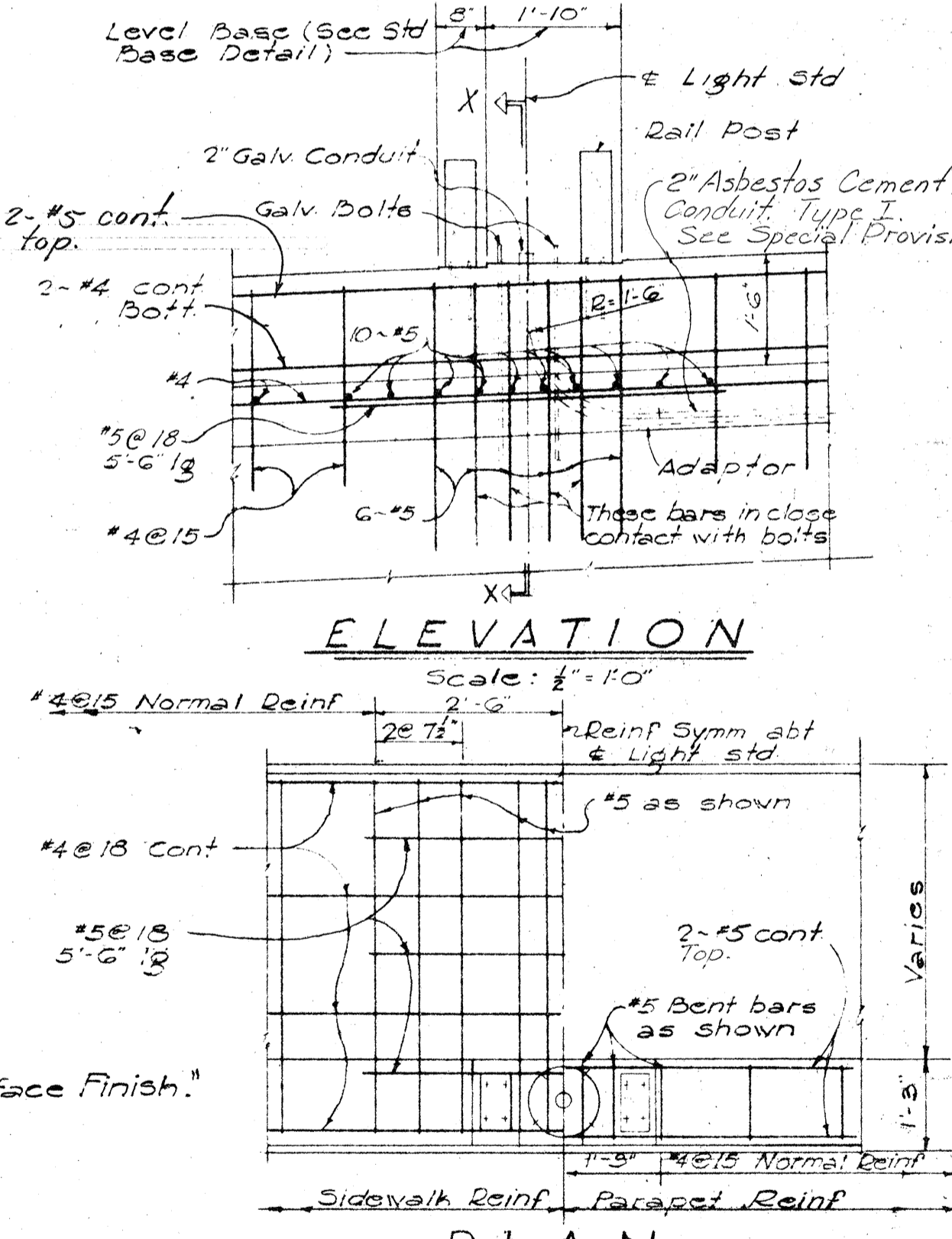
TREATMENT OF RAILING AT EXP. JOINT
Scale - 3/8" = 1'-0"



TREATMENT OF RAILING AT LIGHT STD.
Scale - 3/8" = 1'-0"



LIGHT STD. BASE DETAIL
Scale - 1" = 1'-0"



LIGHT STD. BASE REINF. DETAIL
Scale: 3/8" = 1'-0"

HAWAII STATE HIGHWAY DEPARTMENT
STATE OF HAWAII

STANDARD DETAILS
ALUMINUM RAILING

SCALE AS NOTED

APPROVED: _____ DATE: Aug 25, 1960
STATE HIGHWAY ENGINEER

DRAWN BY: B. B. BULLER
 CHECKED BY: _____
 QUANTITIES CHECKED BY: _____
 NOTE BOOK NO. _____