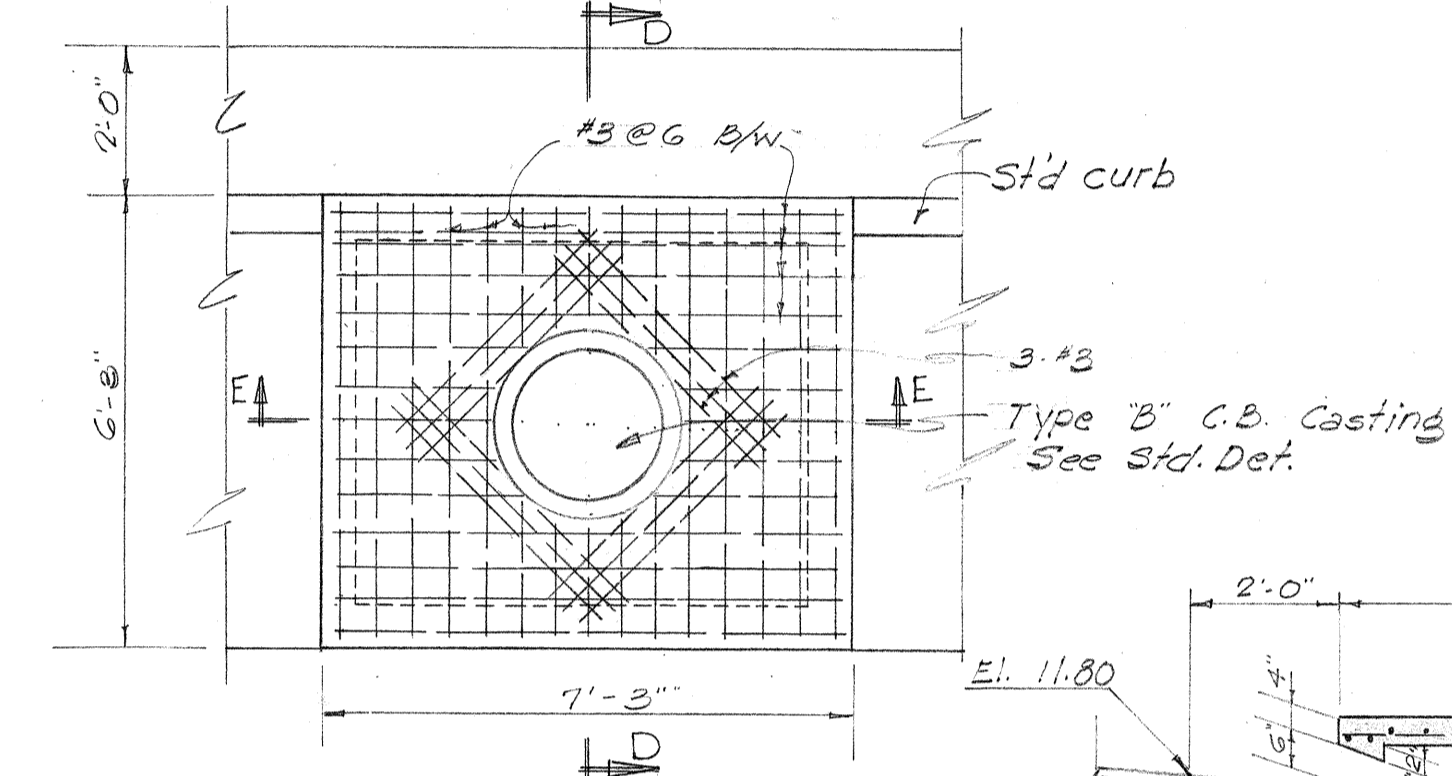
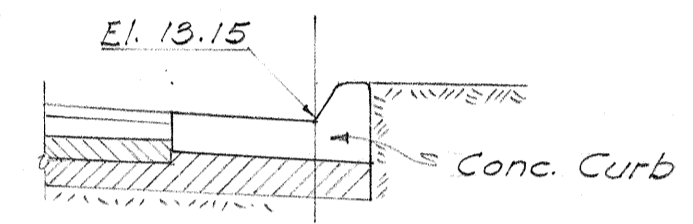
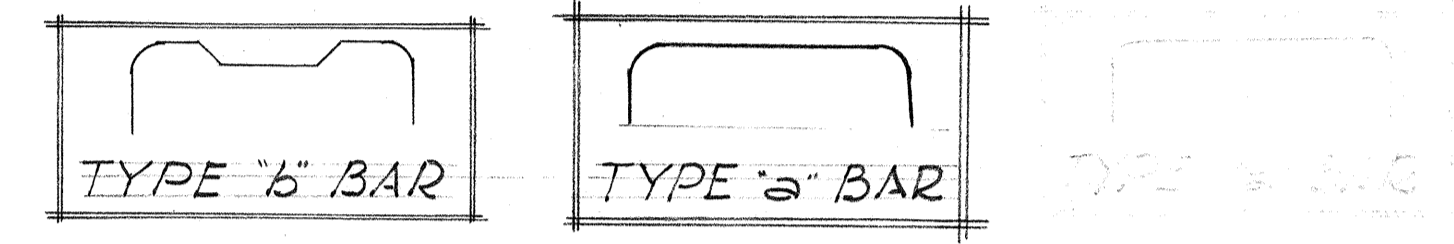
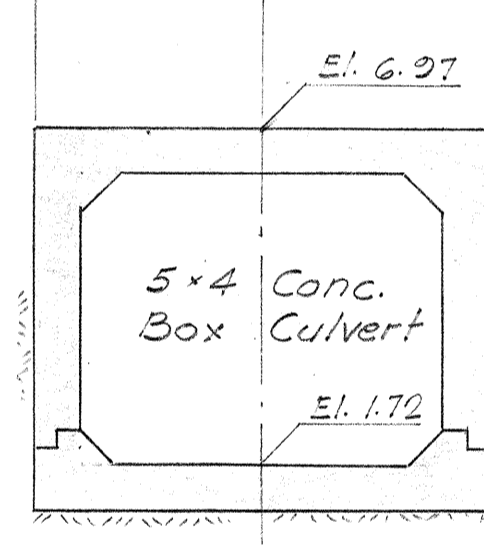


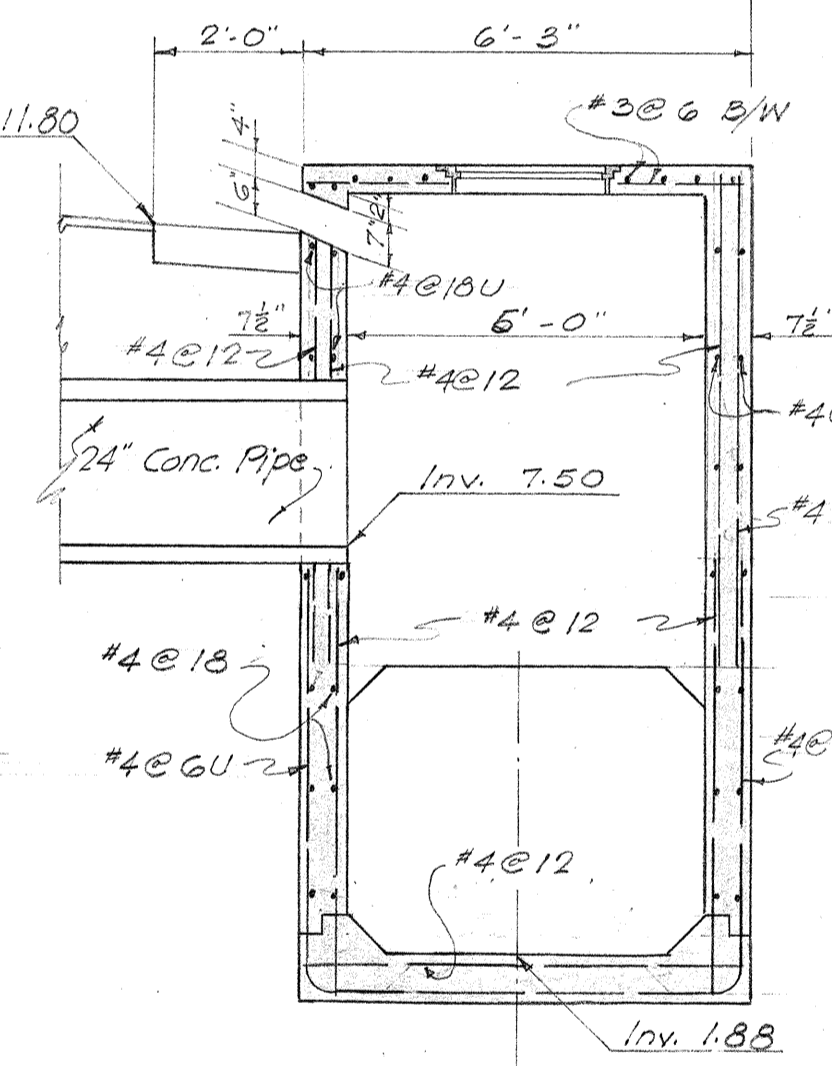
LAYOUT PLAN (27)
1" = 10'-0"



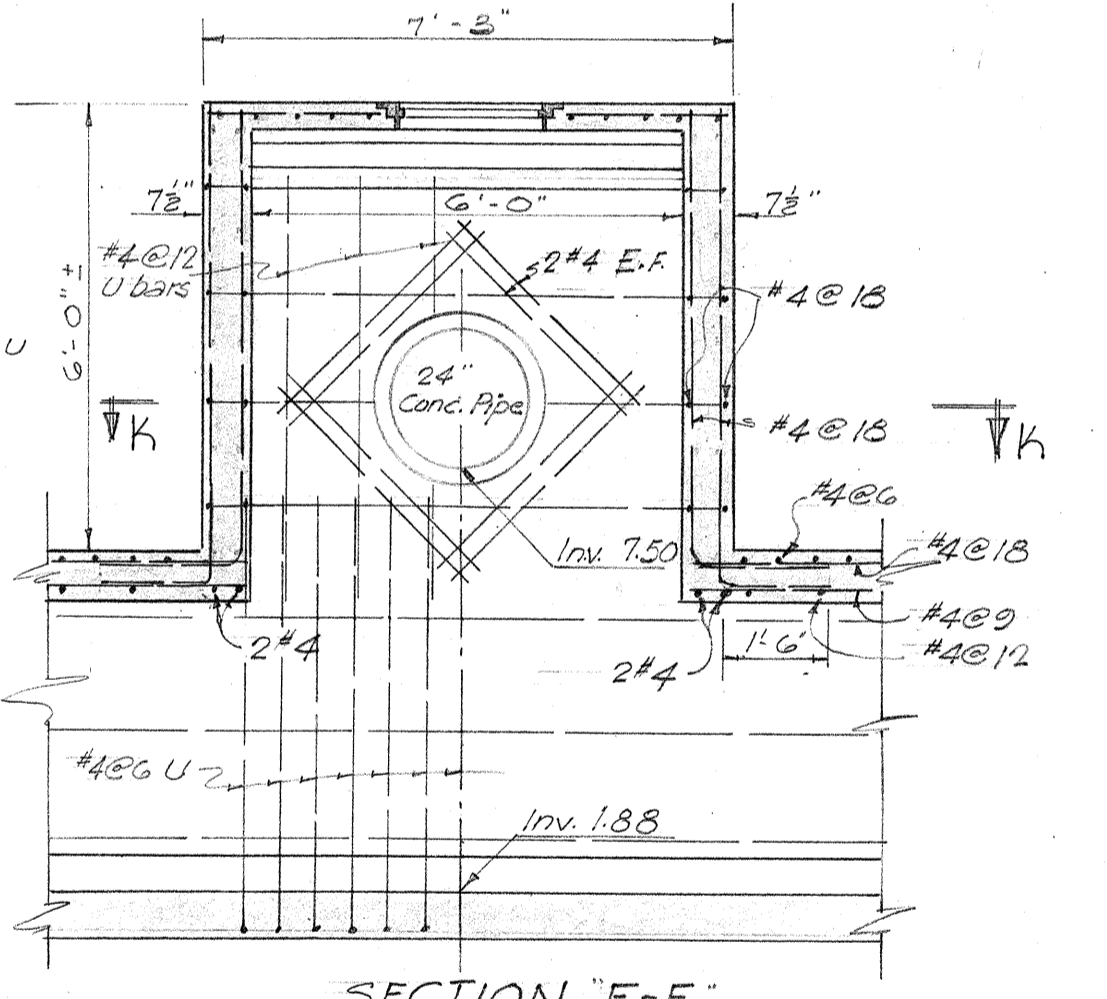
PLAN - C.B.
3/8" = 1'-0"



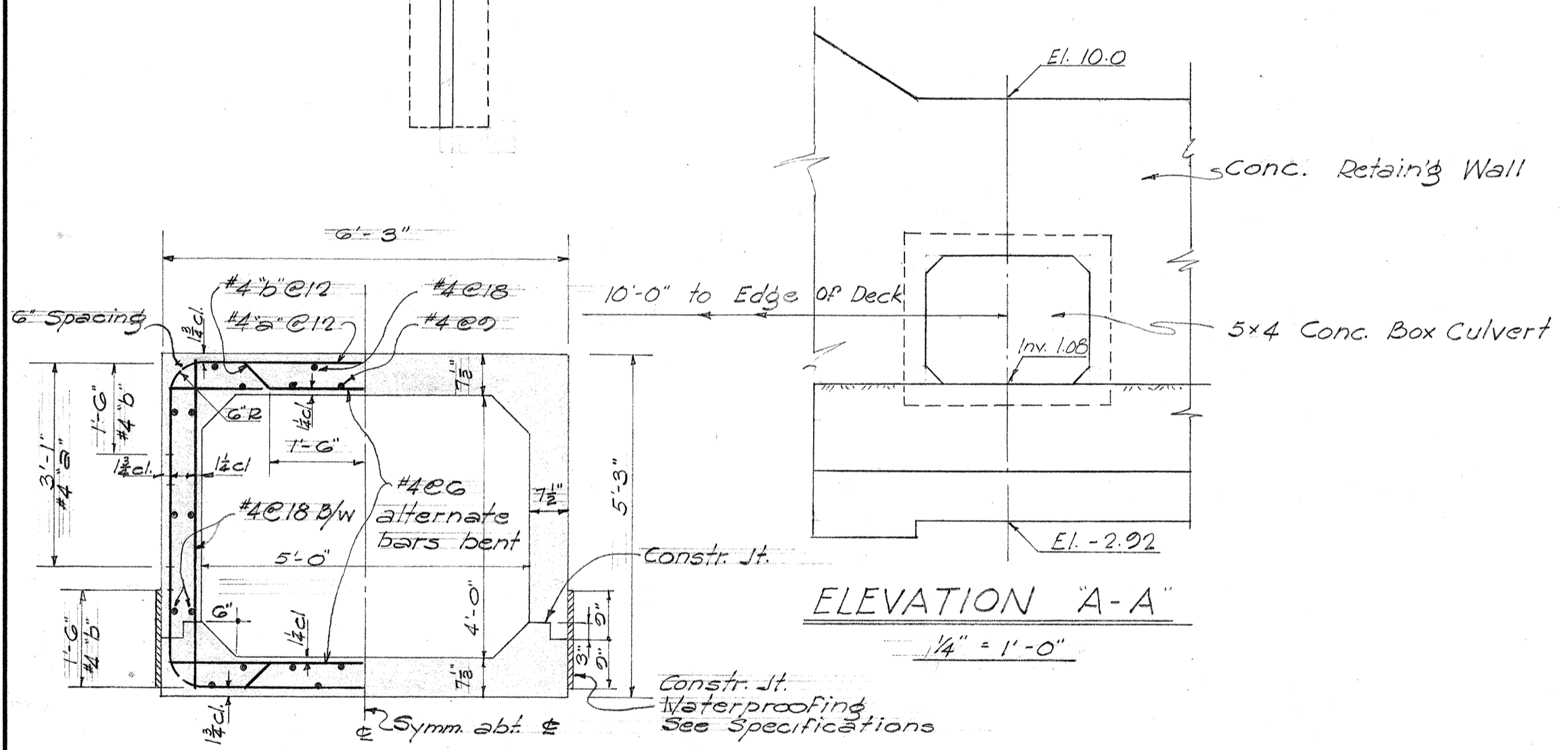
SECTION B-B
3/8" = 1'-0"



SECTION D-D
3/8" = 1'-0"

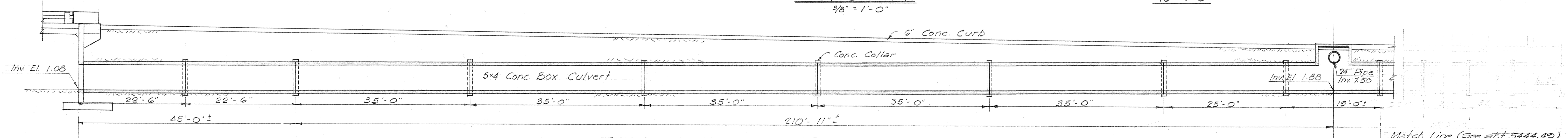


SECTION E-E
3/8" = 1'-0"



ELEVATION A-A
1/4" = 1'-0"

TYPICAL SECT.
Scale: 1/2" = 1'-0"



SECTION ALONG & CULVERT
1" = 10'-0"

ESTIMATED QUANTITIES (27)
 Class A-1 conc.-----Lump Sum (191 c.y.)
 Reinf. Steel-----Lump Sum (16,079#)
 Struct. Exc.-----486 c.y.

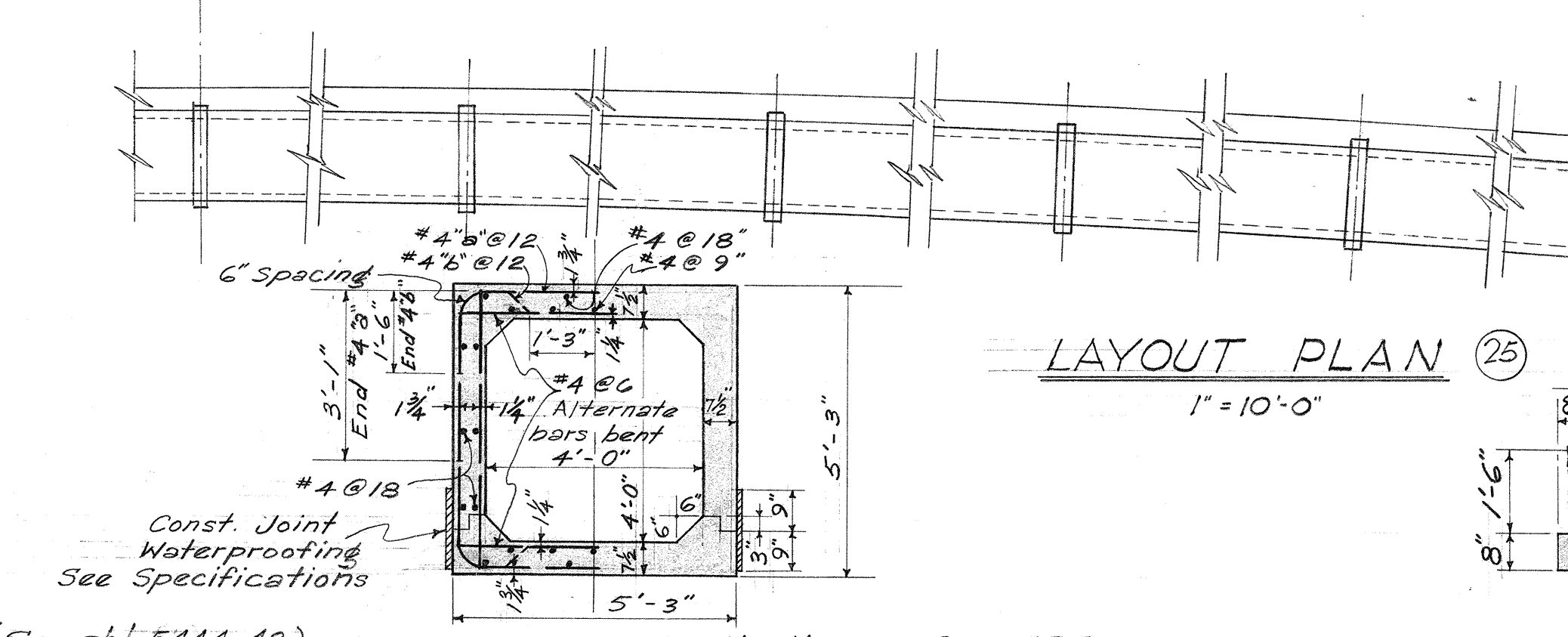
NOTE:
 For Conc. Collar Detail See Std. Det.
 Conc. and reinf. steel for catch basin included in quantities for Box Culvert.

TERRITORIAL HIGHWAY DEPARTMENT
 TERRITORY OF HAWAII
 5 x 4 CONC. BOX CULVERT
 Moanalua Rd. Proj. No. S-0720(1)
 February 1958 UNIT-2

DATE	DESIGNED BY	TRACED BY	QUANTITIES BY	CHECKED BY

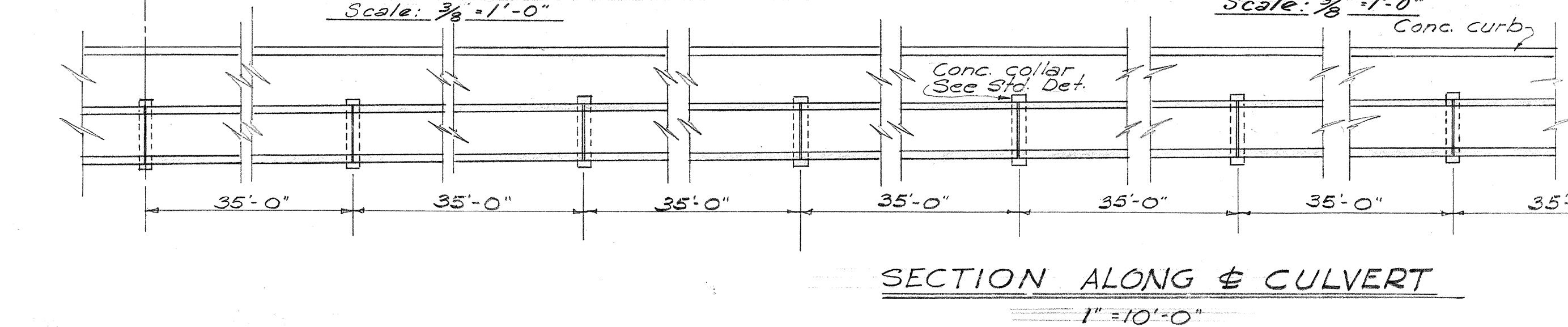
FED. ROAD DIST. No.	STATE	FED. AID PROJ. No.	FISCAL YEAR	SHEET No.	TOTAL SHEETS
HAWAII	HAW.	5-0720(1) UNIT 2	1958	49	100

Match Line (See sht 5444.48)



LAYOUT PLAN (25)
1" = 10'-0"

TYP. SECTION - 4'x4' BOX CULVERT
Scale: 3/8" = 1'-0"

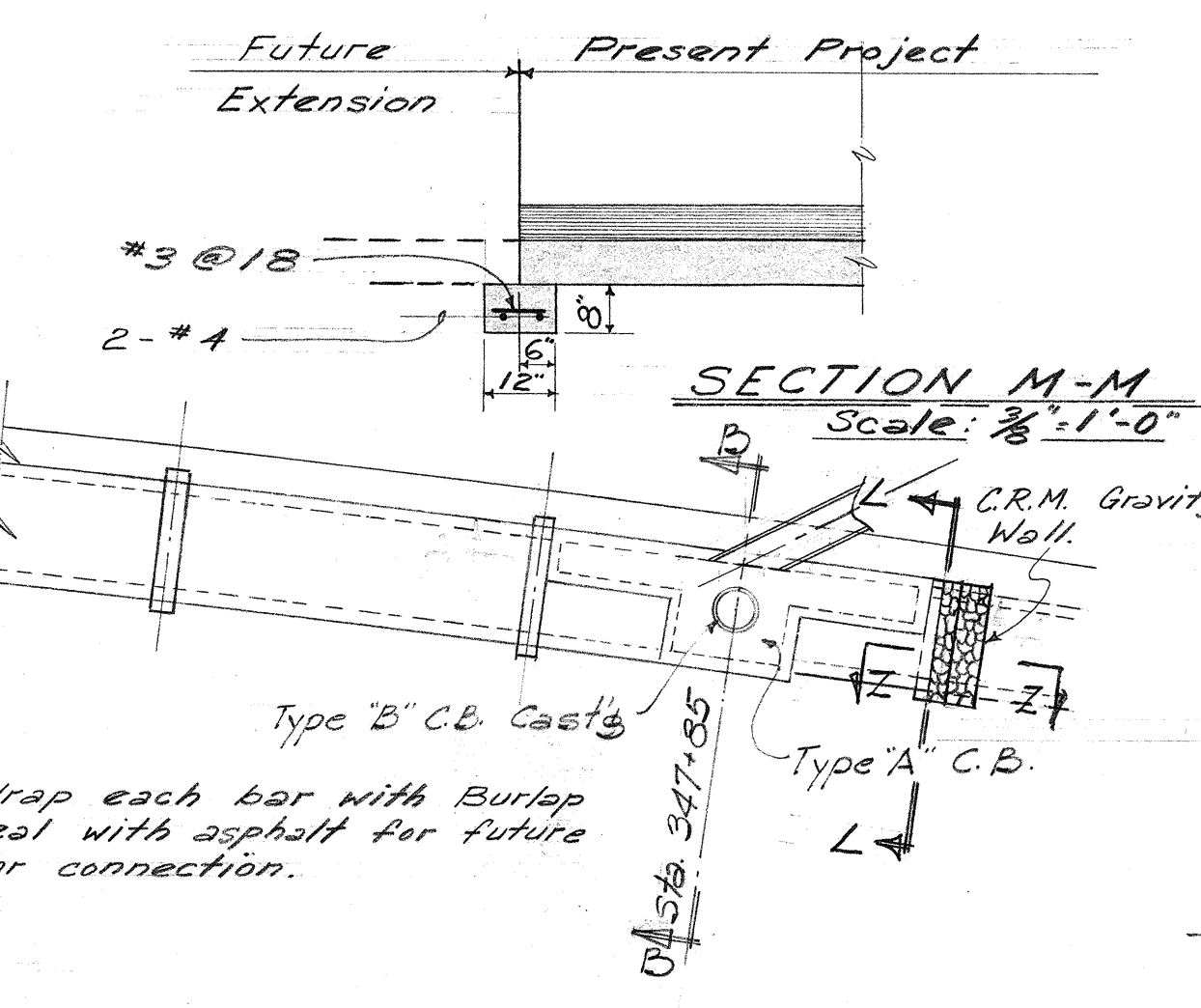


SECTION L-L
Scale: 3/8" = 1'-0"

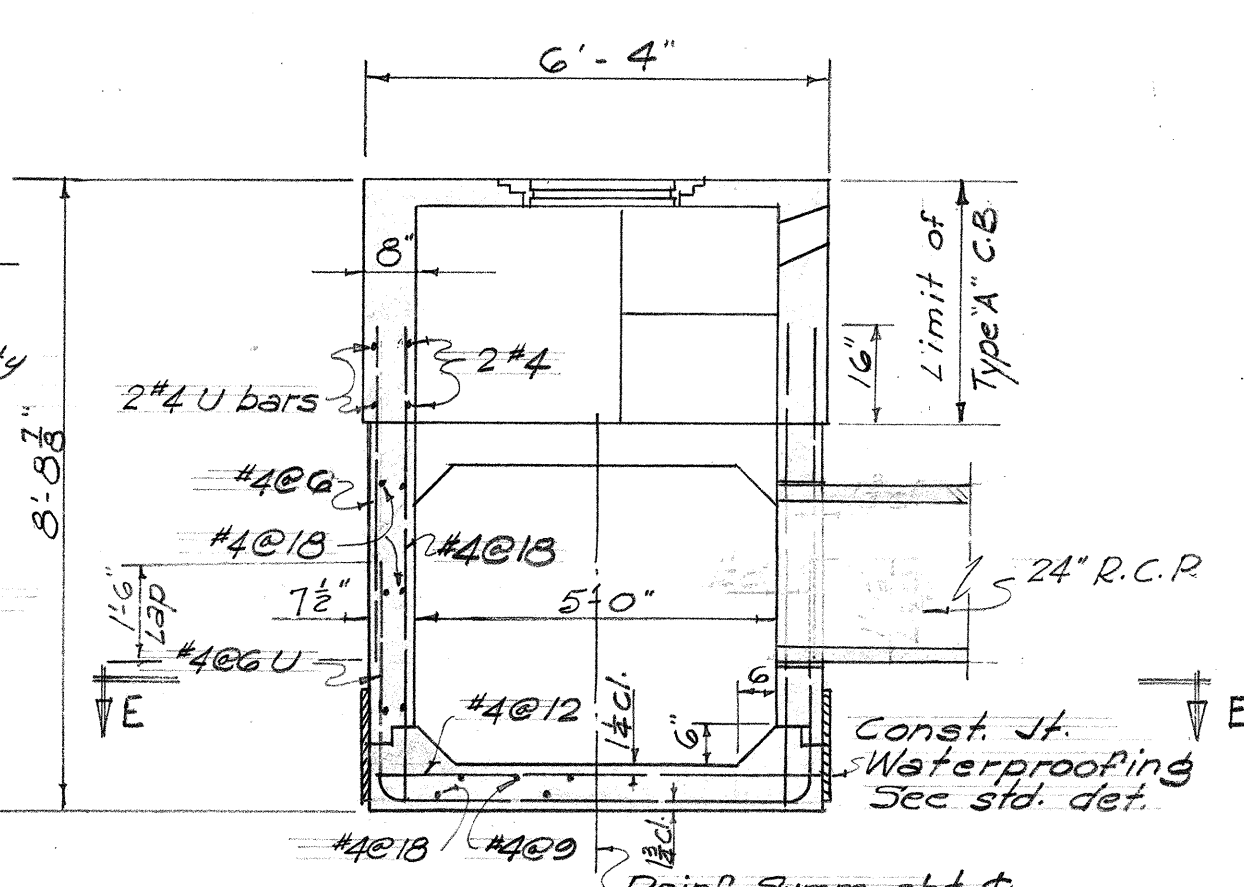
Match Line (See sht 5444.48)

NOTE!!
For conc. collar det. see std. det.
Concrete & Reinforcing Steel for Catch Basin included in quantities for Box Culvert.

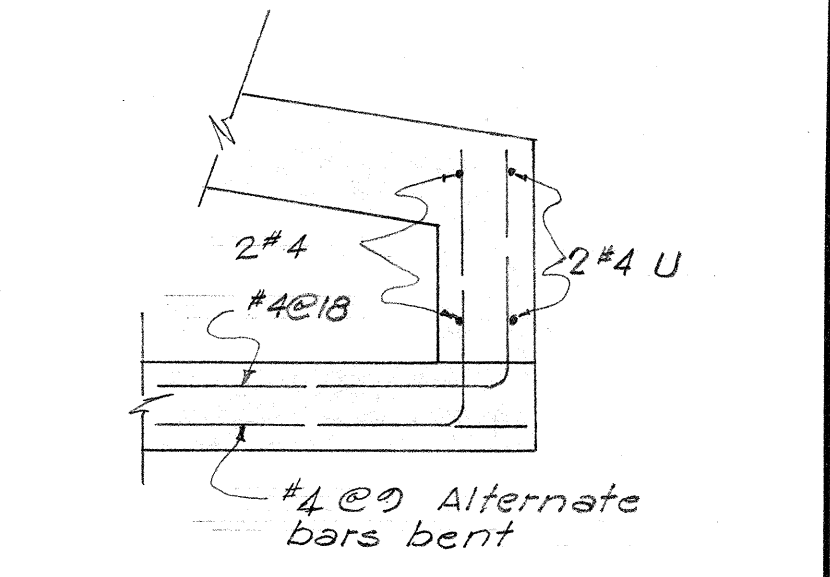
ESTIMATED QUANTITIES (25)
Class A-1 Conc. --- Lump Sum (142 c.y.)
Reinf. Steel --- Lump Sum (17,498*)
Struct. Exc. --- 757 c.y.
C.R.M. --- 2 c.y.



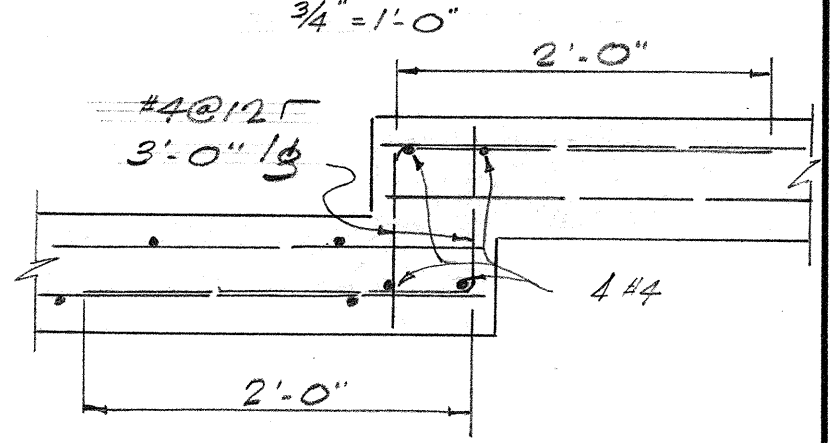
SECTION M-M
Scale: 3/8" = 1'-0"



SECTION B-B
3/8" = 1'-0"

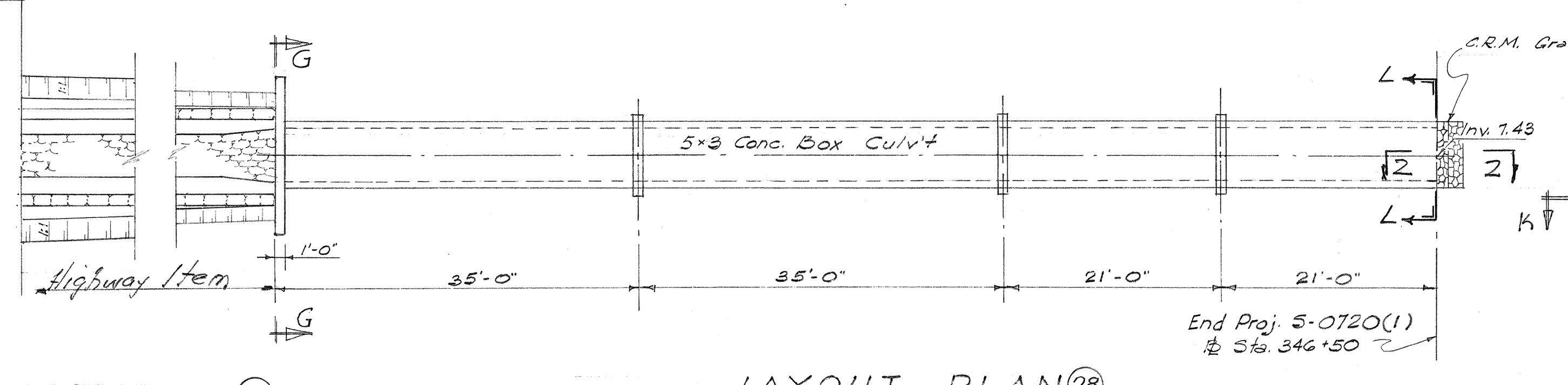


DETAIL C
3/4" = 1'-0"



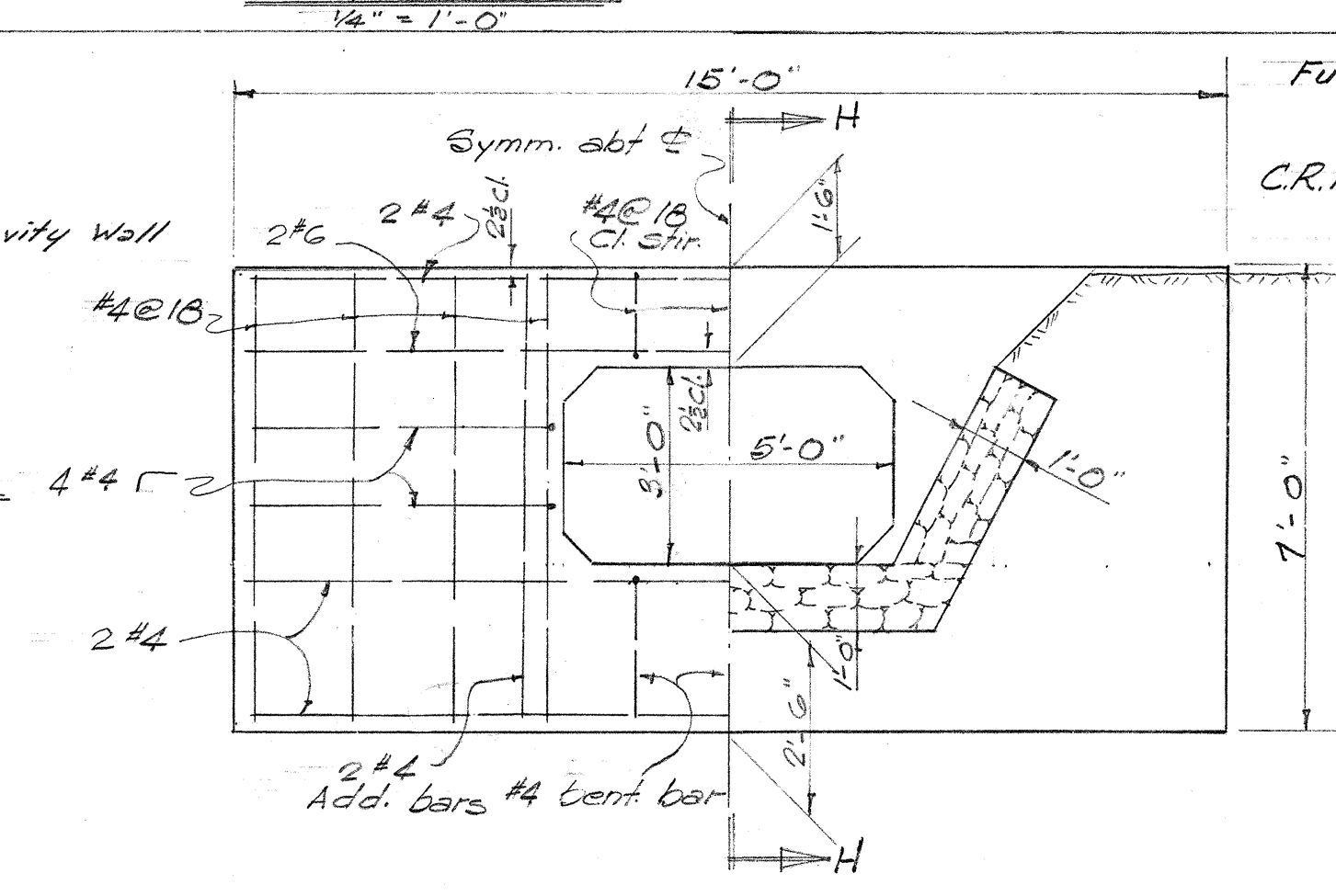
DETAIL F
1 1/2" = 1'-0"

Match Line (See sht 5444.50)

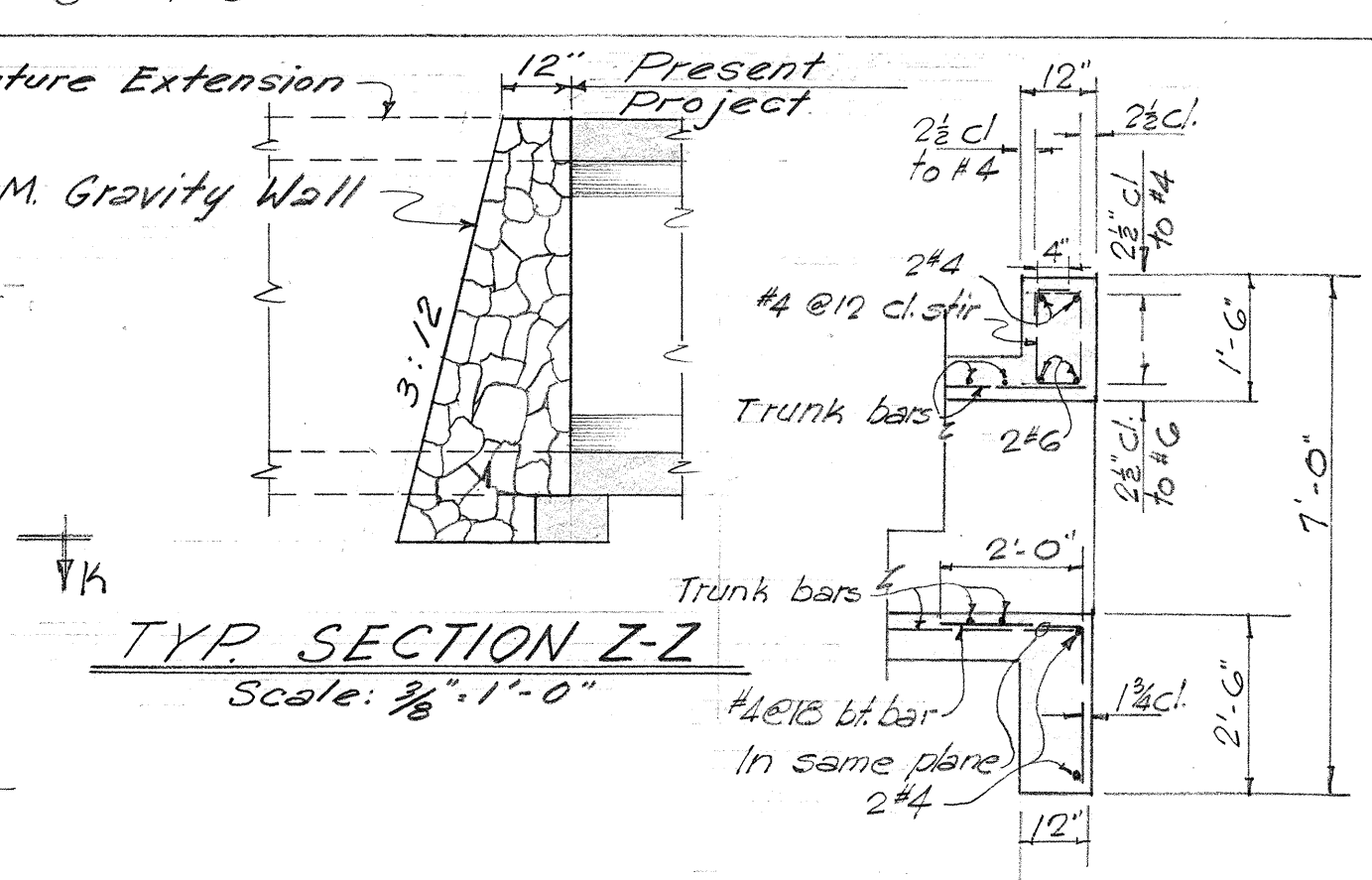


LAYOUT PLAN (28)
1" = 1'-0"

ESTIMATED QUANTITIES (28)
Class A-1 Conc. --- Lump Sum (58 c.y.)
Reinf. Steel --- Lump Sum (7,741*)
Struct. Exc. --- 199 c.y.
C.R.M. --- 2 c.y.



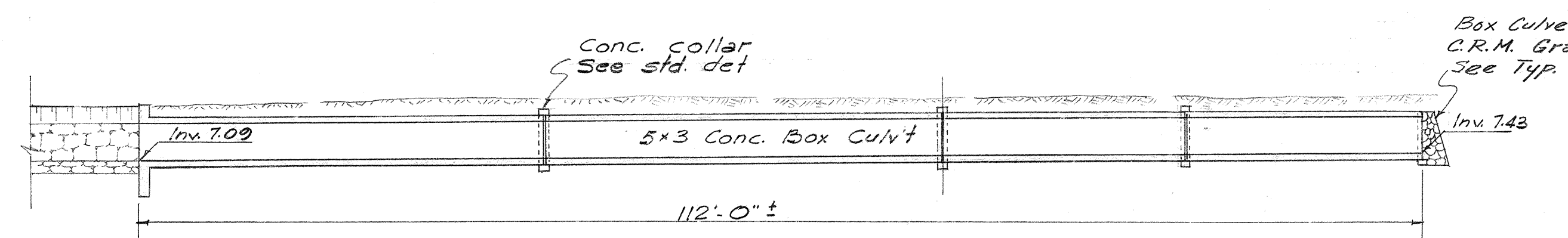
ELEVATION G-G
3/8" = 1'-0"



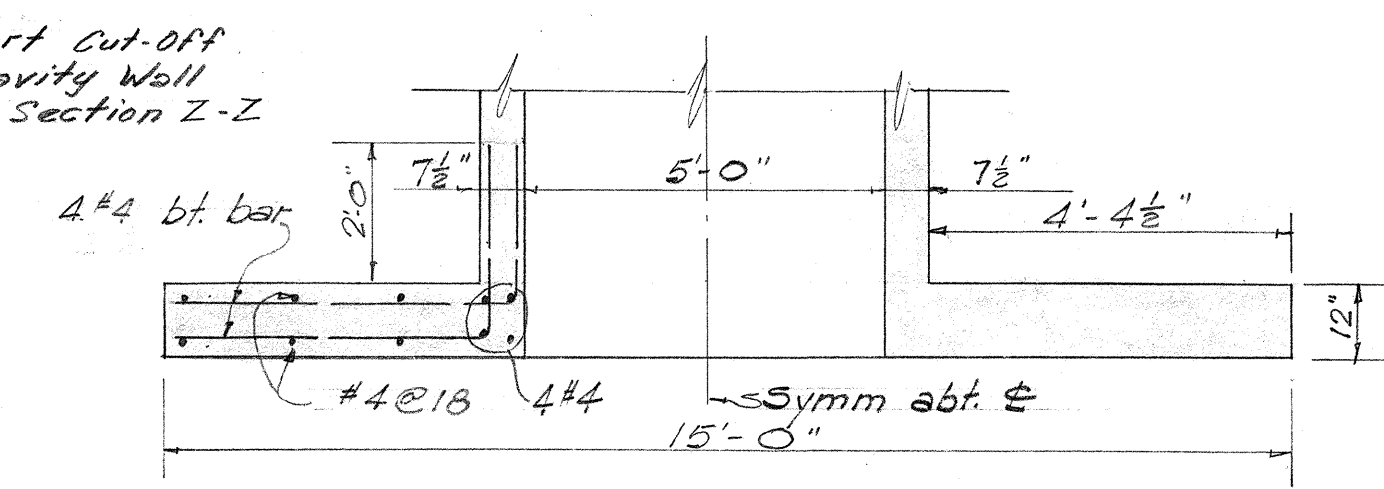
TYP. SECTION Z-Z
Scale: 3/8" = 1'-0"

SECTION H-H
3/8" = 1'-0"

NOTE!!
For conc. collar det. See std. det.
Concrete & Reinforcing Steel for Catch Basin included in quantities for Box Culvert.



SECTION K-K
1" = 10'-0"



SECTION K-K
3/8" = 1'-0"

TERRITORIAL HIGHWAY DEPARTMENT
TERRITORY OF HAWAII
5x4 & 5x3 CONC. BOX CULVERT
Moanaloa Rd. Proj. No. 5-0720(1)
FEBRUARY 1958 UNIT 2

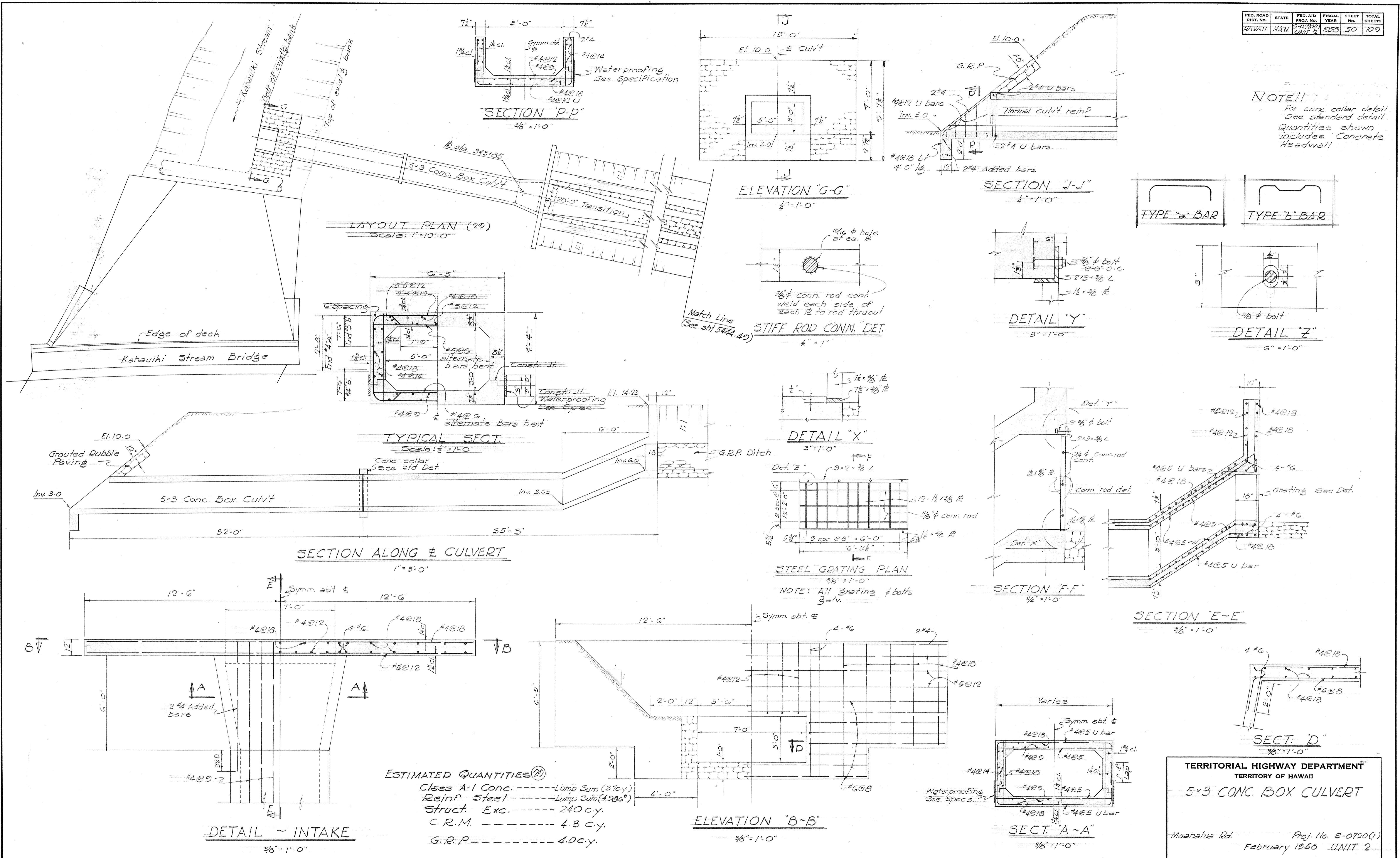
SHEET No. 2 OF 3 SHEETS

5444.49

DATE	DESIGNED BY	DRAWN BY	CHECKED BY

FED. ROAD DIST. NO.	STATE	FED. AID PROJ. NO.	FISCAL YEAR	SHEET NO.	TOTAL SHEETS
HAWAII	HAW	5-0720(1)	1958	50	100

NOTE!!
 For conc. collar detail See standard detail
 Quantities shown includes Concrete Headwall!



SURVEY PLOTTED BY: _____ DATE: _____
 DESIGNED BY: _____
 TRACED BY: _____
 QUANTITIES BY: _____
 CHECKED BY: _____
 ORIGINAL PLAN No. _____

ESTIMATED QUANTITIES (20)

Class A-1 Conc.	----- Lump Sum (376 y)	
Rein' Steel	----- Lump Sum (4,286 #)	
Struct. Exc.	----- 240 c.y.	
C.R.M.	----- 4.3 c.y.	
G.R.P.	----- 4.0 c.y.	

TERRITORIAL HIGHWAY DEPARTMENT
 TERRITORY OF HAWAII
5x3 CONC. BOX CULVERT
 Moanalua Rd. Proj. No. S-0720(1)
 February 1958 UNIT 2

SHEET NO. 3 OF 3 SHEETS

5444.50