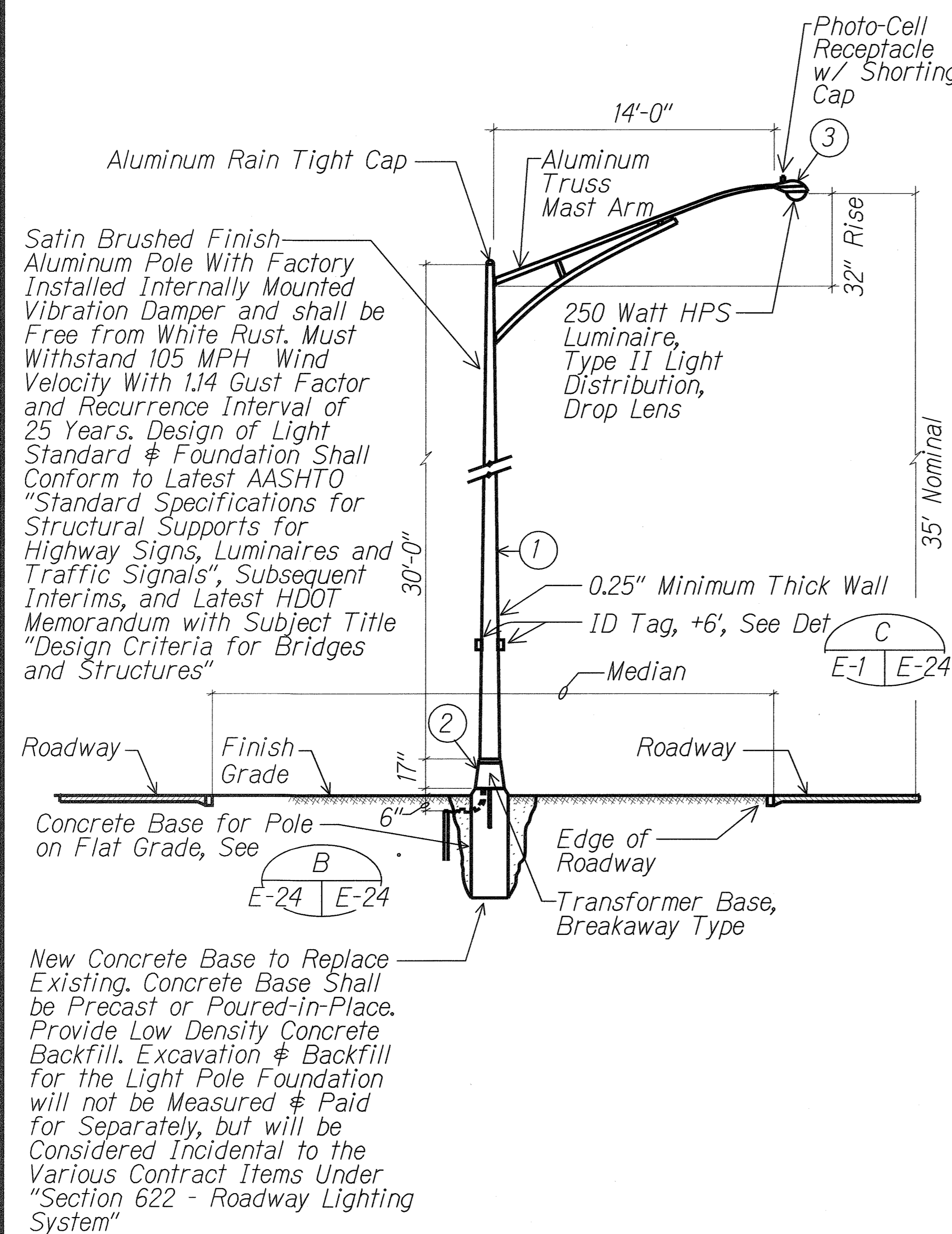
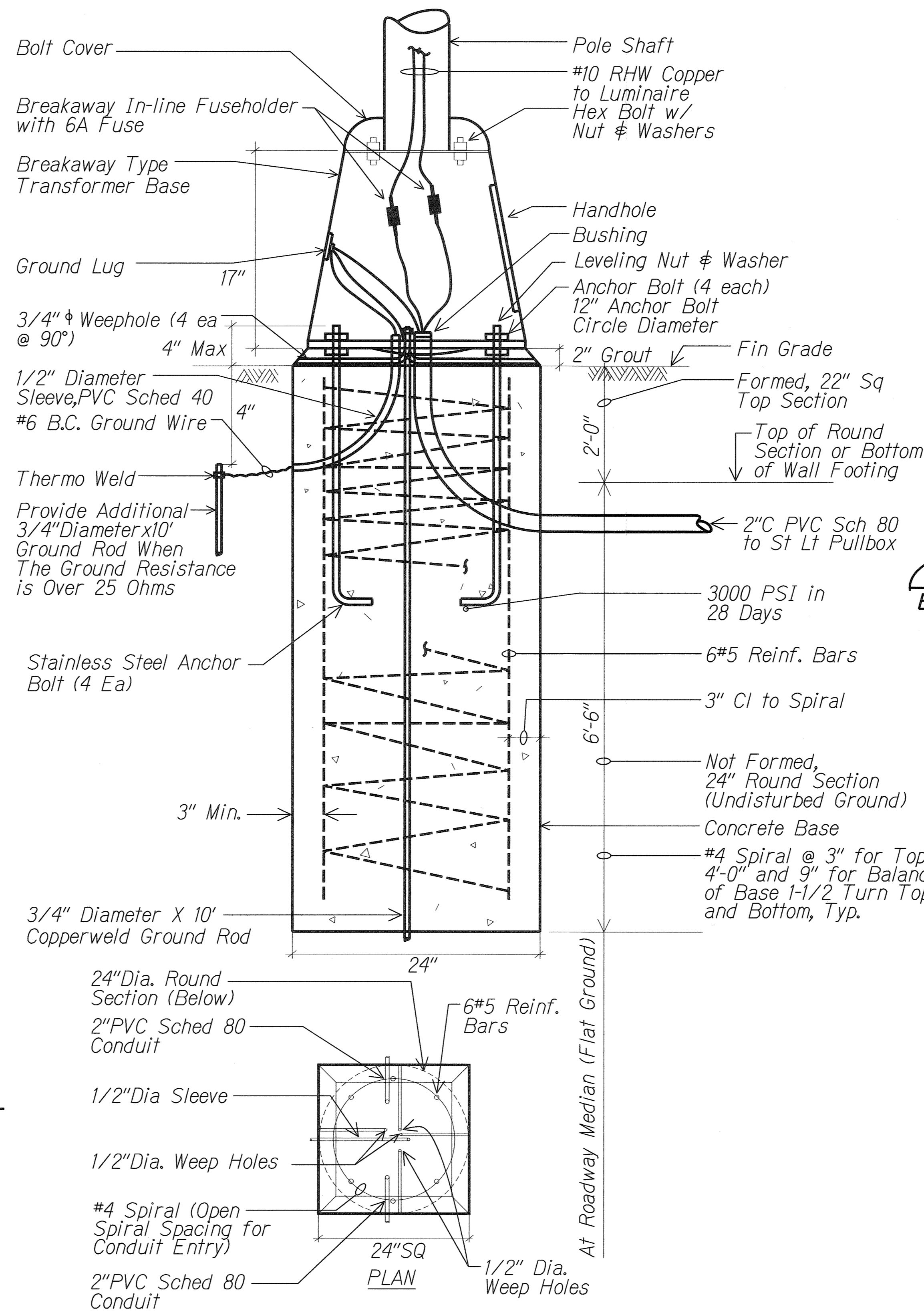


FED. ROAD DIST. NO.	STATE	PROJ. NO.	FISCAL YEAR	SHEET NO.	TOTAL SHEETS
HAWAII	HAW.	HWY-0-03-10M	2011	30	59

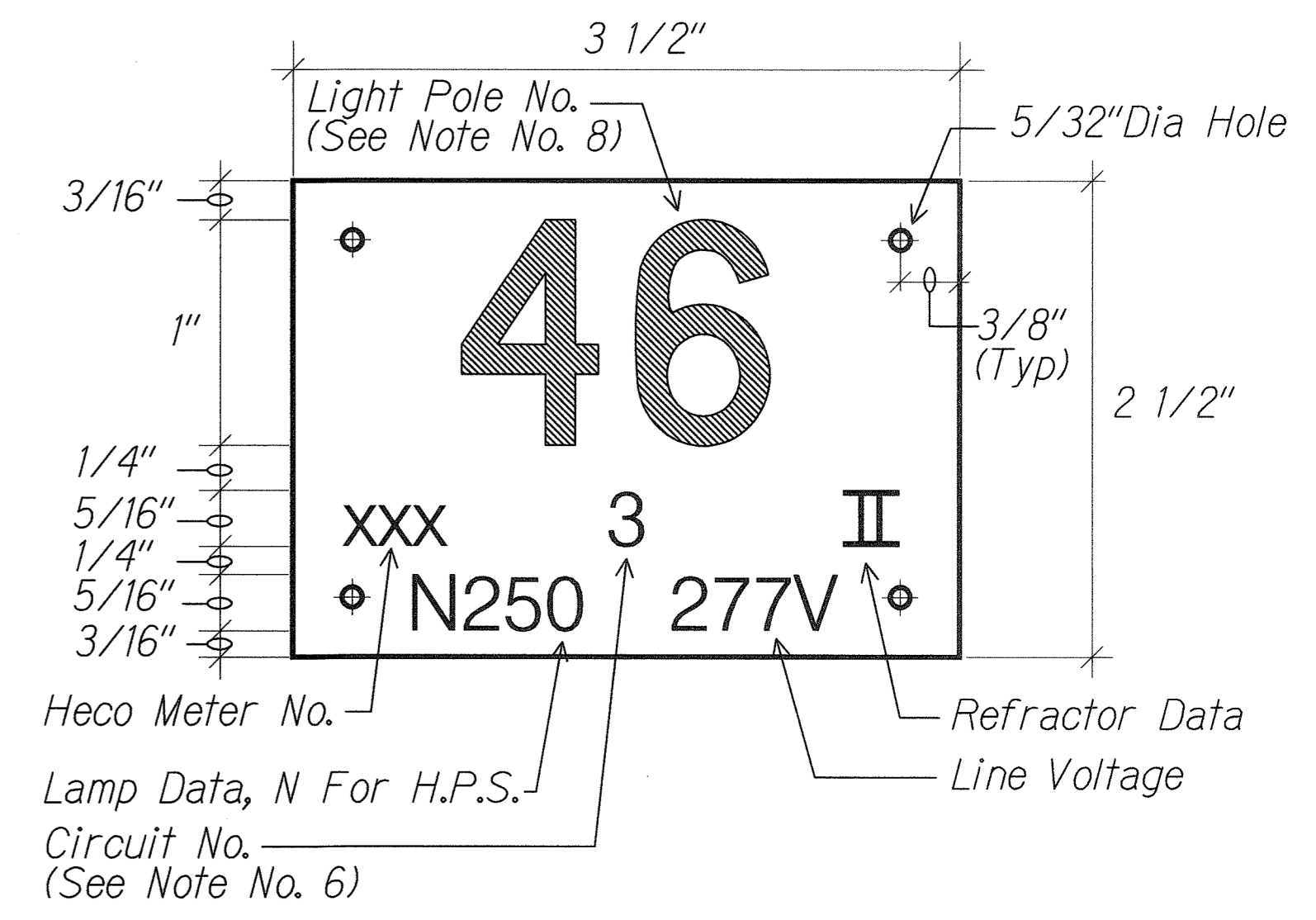


**A** STREET LIGHT STANDARD DETAIL  
E-1 E-24 NTS

MATERIAL LIST		
ITEM	DESCRIPTION	MANUFACTURER
①	Light Pole, 30', Alum	
②	Transformer Base (Alum) (Breakaway Type)	
③	Luminaire, 250W HPS	



**B** TYPICAL TRANSFORMER BASE WIRING DETAIL  
E-24 E-24 NTS



**C** STREET LIGHT POLE TAG DETAIL  
E-1 E-24 NTS

- NOTES:**
- Use 3 Ply Laminated Flexible Plastic Black-White-Black Thickness Black Cap Sheet-0.010", White Base Sheet-0.052", Black Base Sheet-0.010".
  - Light Pole Number Size Shall Be 1" High and Engraved 1/8" Wide, White in Color (Number as Required).
  - Nomenclature Size Shall be 5/16" High and Engraved 1/32" Wide, White in Color (Heco Meter Number Panel Board and Circuit Number, Line Voltage, Lamp Data and Refractor Data as Required).
  - Attach to Aluminum and Steel Post with No. 8 Stainless Steel, 1/2" Long Drive Screws in 1/8" Drill Hole. Attach to Wood Poles with 4D Aluminum Nail.
  - Numbers are Inscribed by Cutting Through "Black Cap Sheet" to Expose "White Letters."
  - Nomenclature Required for Systems with Two or More Circuits (Number Indicates Circuit).
  - For Light Poles Installed on Ramp, Assign Numbers to Include Ramp I.D. and Light Number. Legend May Be Less Than One (1) Inch in Height.
  - Light Numbers Shall be Obtained From the State. Use An Alphabet Suffix to Designate Lights Mounted on the Same Pole (e.g. 123A & 123B).

SURVEY PLOTTED BY	DATE
DRAWN BY	
DESIGNED BY	
QUANTITIES BY	
CHECKED BY	
ORIGINAL PLAN	
NOTE BOOK	

RUSSELL A. M.  
LICENSED PROFESSIONAL ENGINEER  
No. 9013-E  
HAWAII, U.S.A.

STATE OF HAWAII  
DEPARTMENT OF TRANSPORTATION  
HIGHWAYS DIVISION

**STREET LIGHT STANDARD DETAILS**

Interstate Route H-2  
Freeway Lighting System Reconductoring  
Waiawa Interchange to Leilehua Interchange  
Project No. HWY-0-03-10M

Not to Scale Date: Aug. 2010