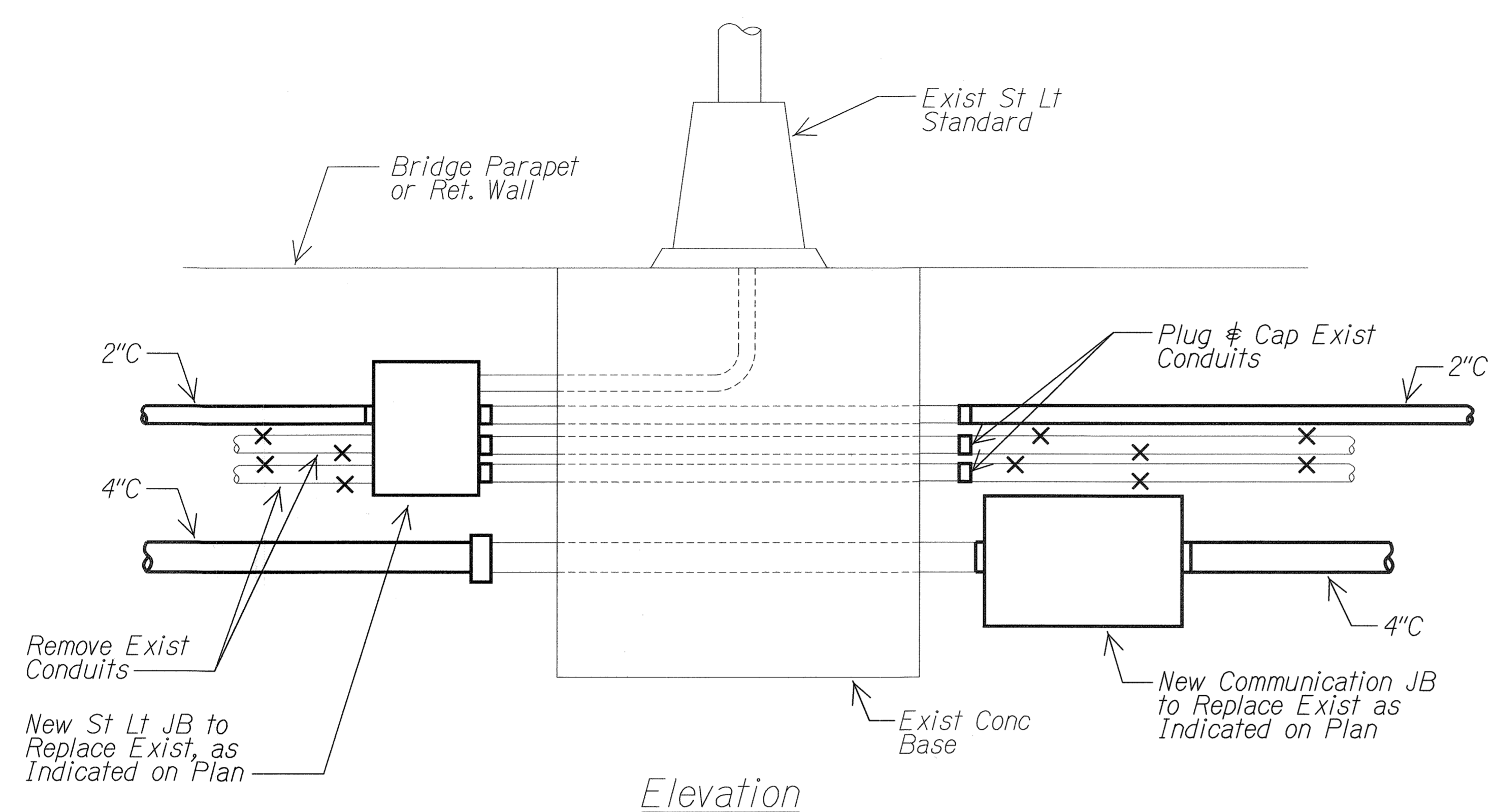
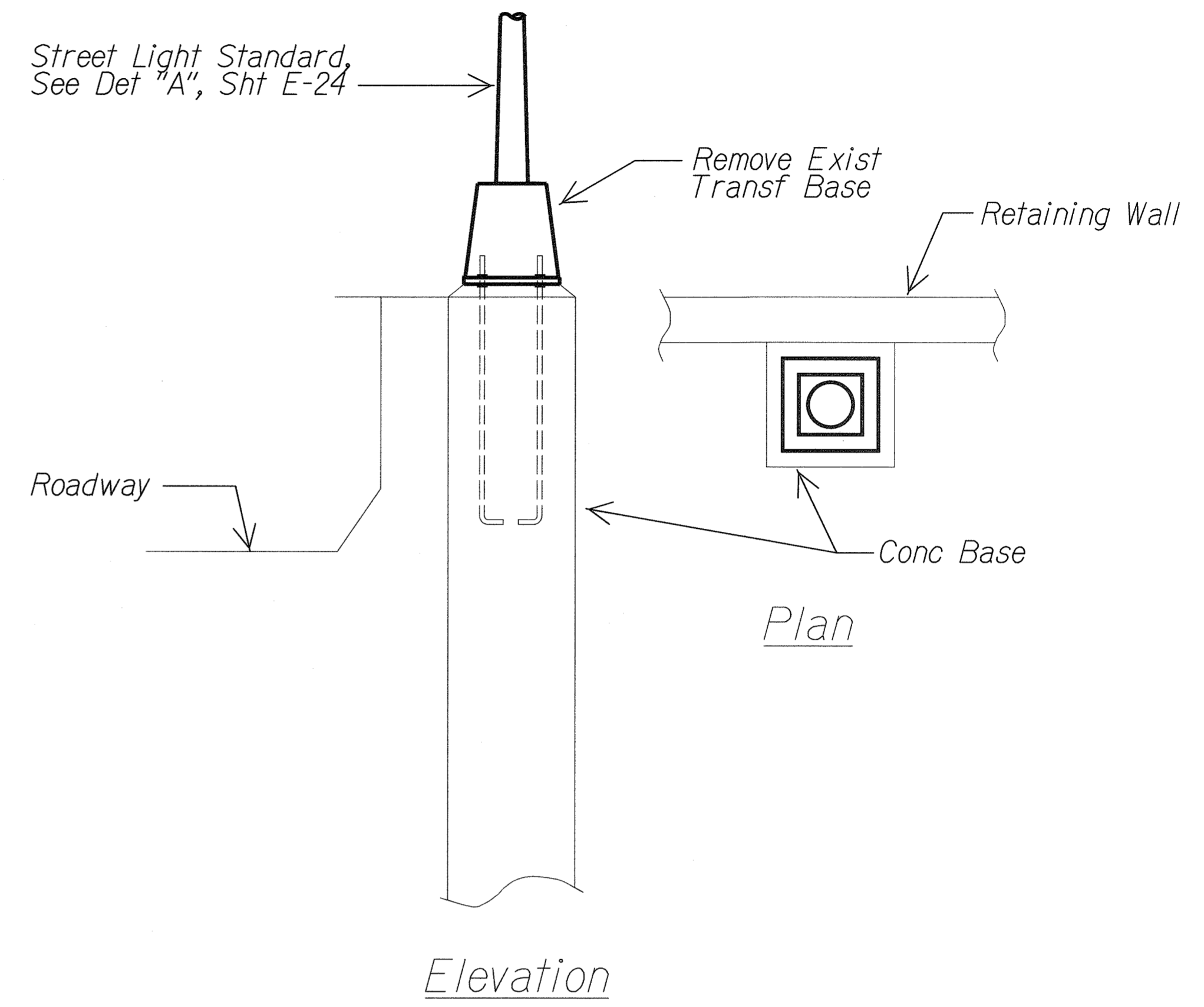


FED. ROAD DIST. NO.	STATE	PROJ. NO.	FISCAL YEAR	SHEET NO.	TOTAL SHEETS
HAWAII	HAW.	HWY-0-03-10M	2011	38	59



**CONDUIT & JUNCTION BOX
MOUNTING DETAIL ON BRIDGE
PARAPET OR RETAINING WALL**

Notes:
 — Light lines denote existing condition.
 — Bold lines denote new work.



LT POLE #274 MTG DETAIL

Notes:
 — Light lines denote existing condition.
 — Bold lines denote new work.

ORIGINAL PLAN	DATE
DRAWN BY	
CHECKED BY	
DATE	
NO.	

STATE OF HAWAII
DEPARTMENT OF TRANSPORTATION
HIGHWAYS DIVISION

MISCELLANEOUS DETAILS

*Interstate Route H-2
Freeway Lighting System Reconductoring
Waiawa Interchange to Leilehua Interchange*

Project No. HWY-0-03-10M
Date: Aug. 2010

Not to Scale