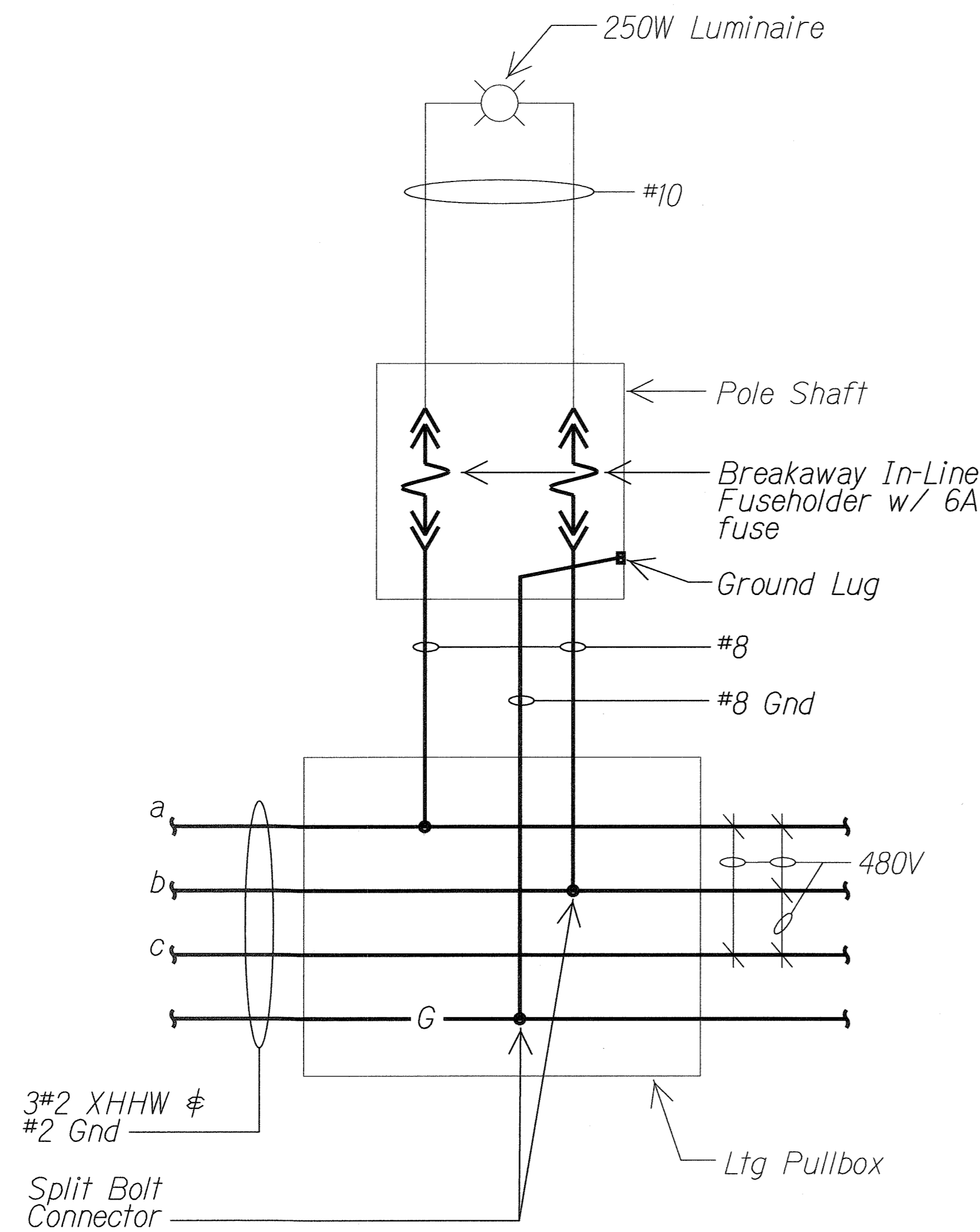
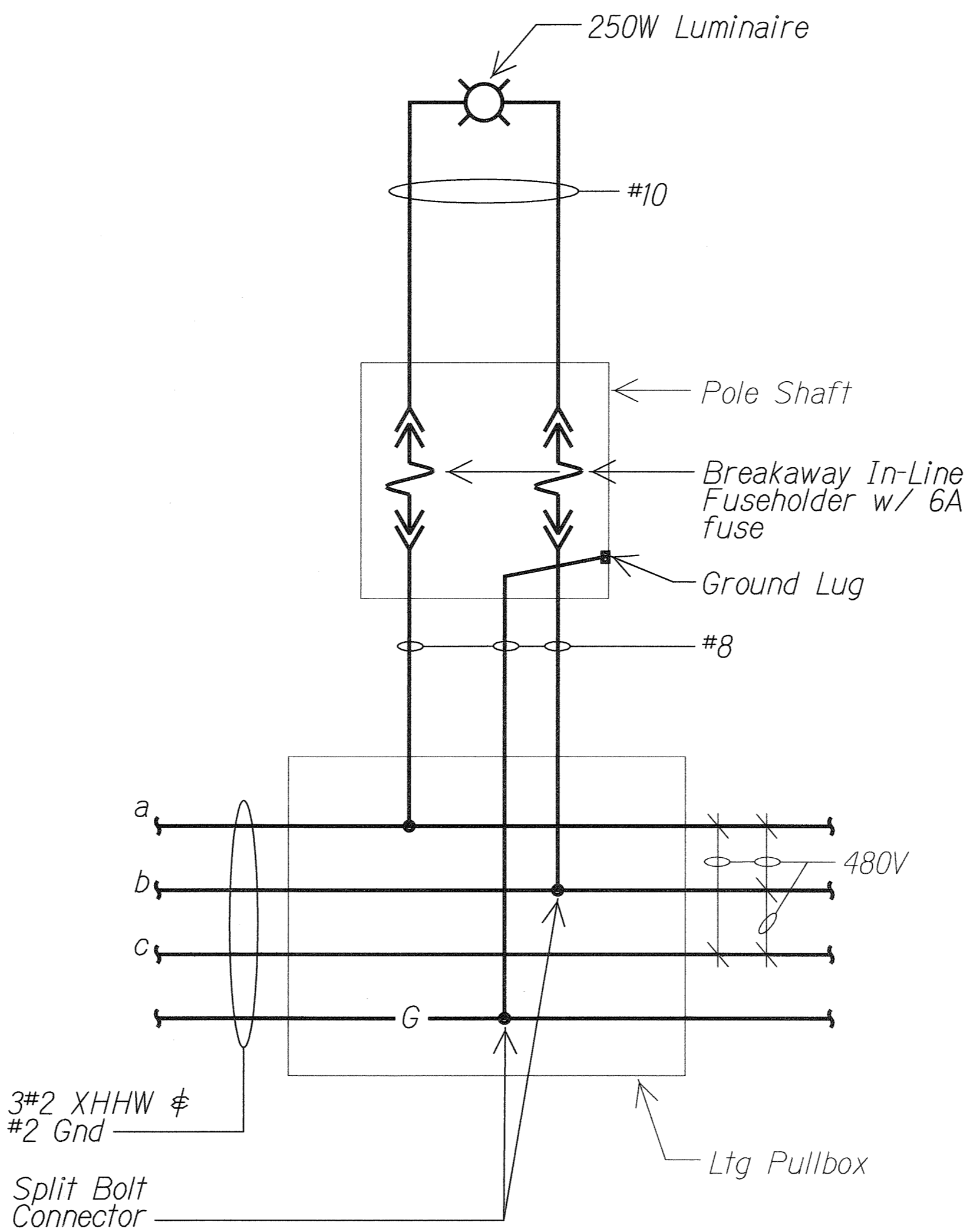


FED. ROAD DIST. NO.	STATE	PROJ. NO.	FISCAL YEAR	SHEET NO.	TOTAL SHEETS
HAWAII	HAW.	HWY-0-03-10M	2011	37	59



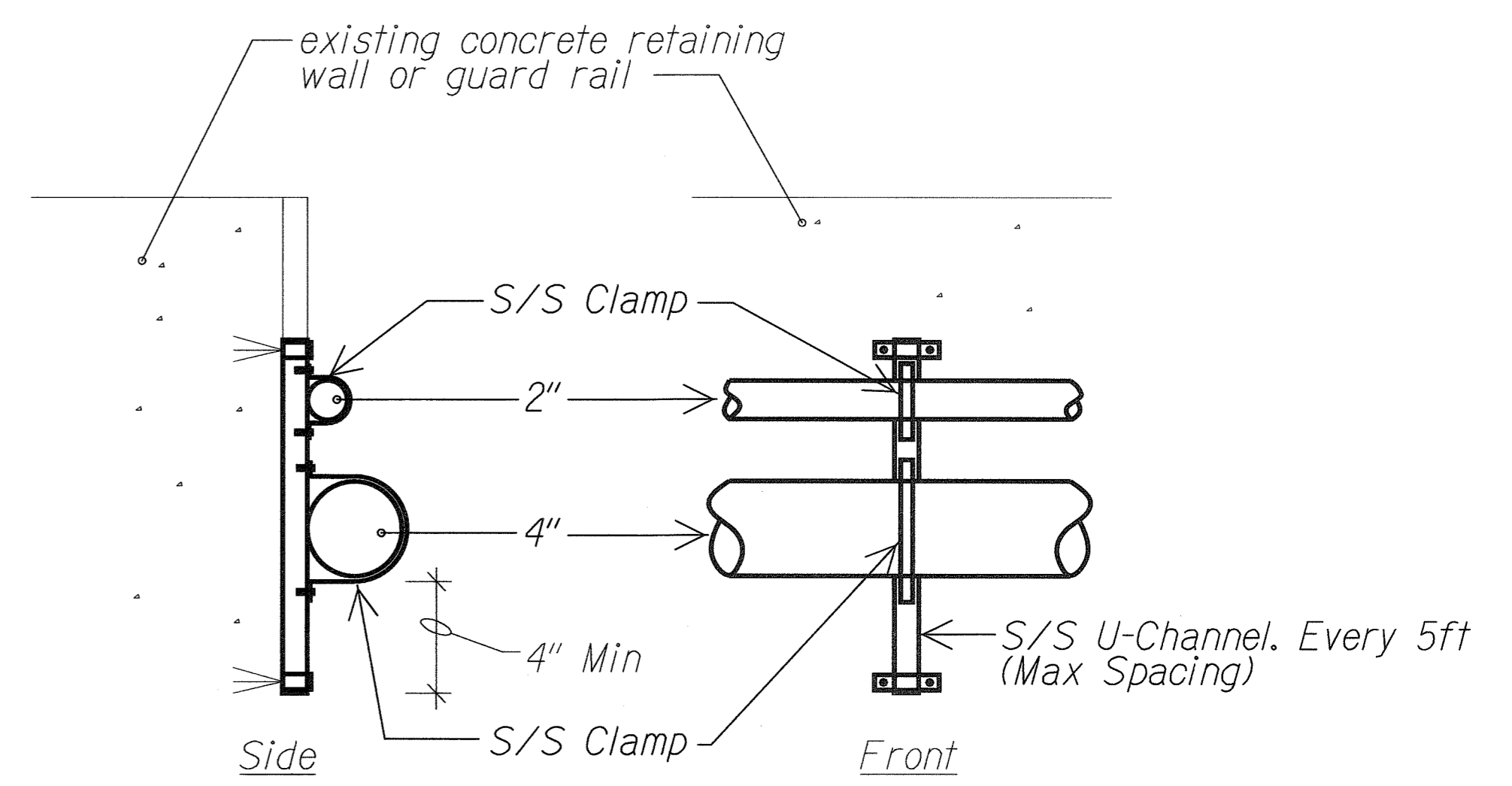
WIRING DIAGRAM (B)

Notes:
 Light lines denote existing condition.
 Bold lines denote new work.

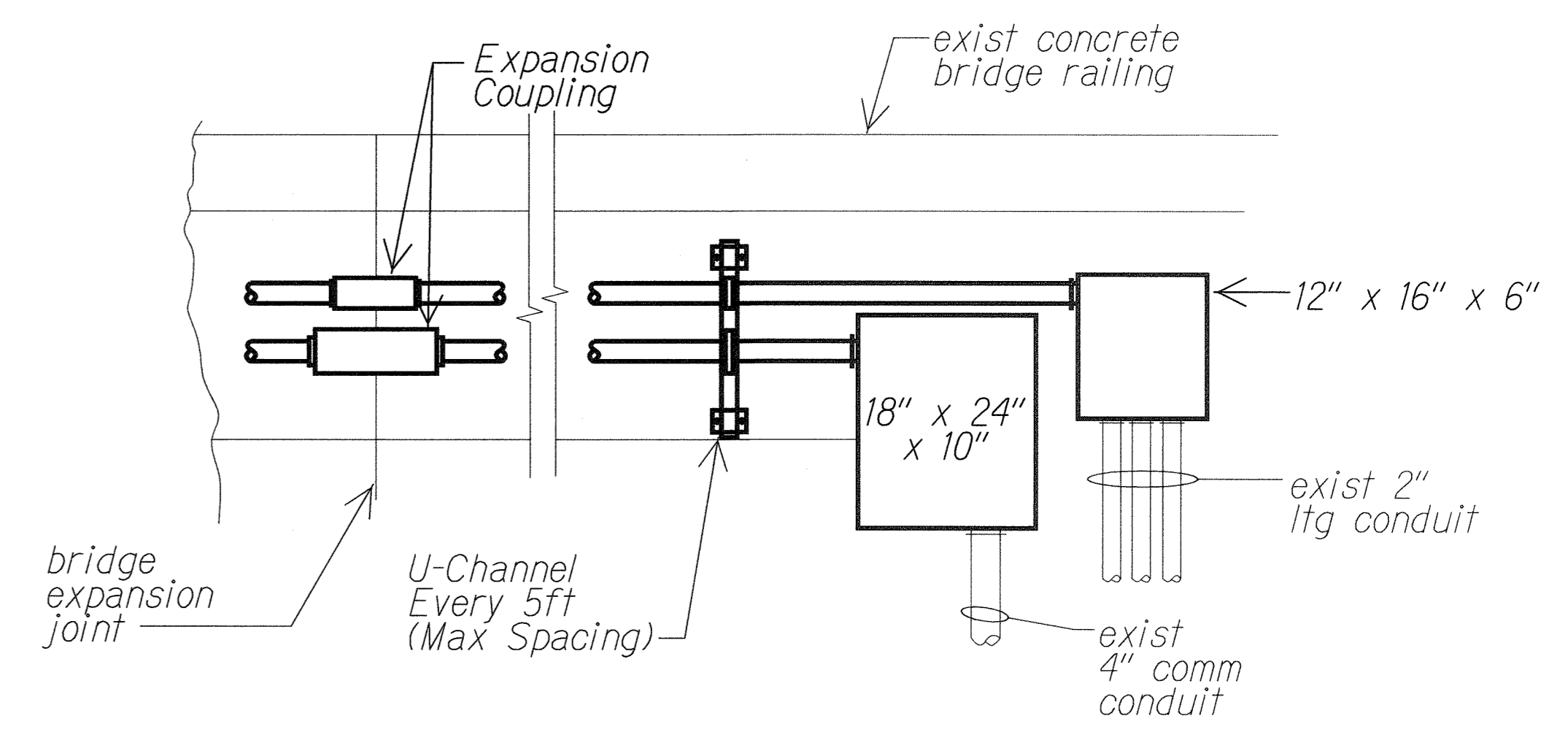


WIRING DIAGRAM (A)

Notes:
 Light lines denote existing condition.
 Bold lines denote new work.



Note: See Structural Sht S-1 for Additional Details
CONDUIT MOUNTING DETAIL "B"



TYPICAL CONDUIT & JUNCTION BOX MOUNTING DETAIL

SURVEY PLOTTED BY	DATE
DRAWN BY	
DESIGNED BY	
QUANTITIES BY	
CHECKED BY	
ORIGINAL PLAN	
NOTE BOOK	

STATE OF HAWAII
 DEPARTMENT OF TRANSPORTATION
 HIGHWAYS DIVISION

MISCELLANEOUS DETAILS
& WIRING DIAGRAMS

Interstate Route H-2
 Freeway Lighting System Reconductoring
 Waiawa Interchange to Leilehua Interchange
 Project No. HWY-0-03-10M

Not to Scale Date: Aug. 2010

10202-E31-aet.dgn 8/12/2010 12:14:53 PM