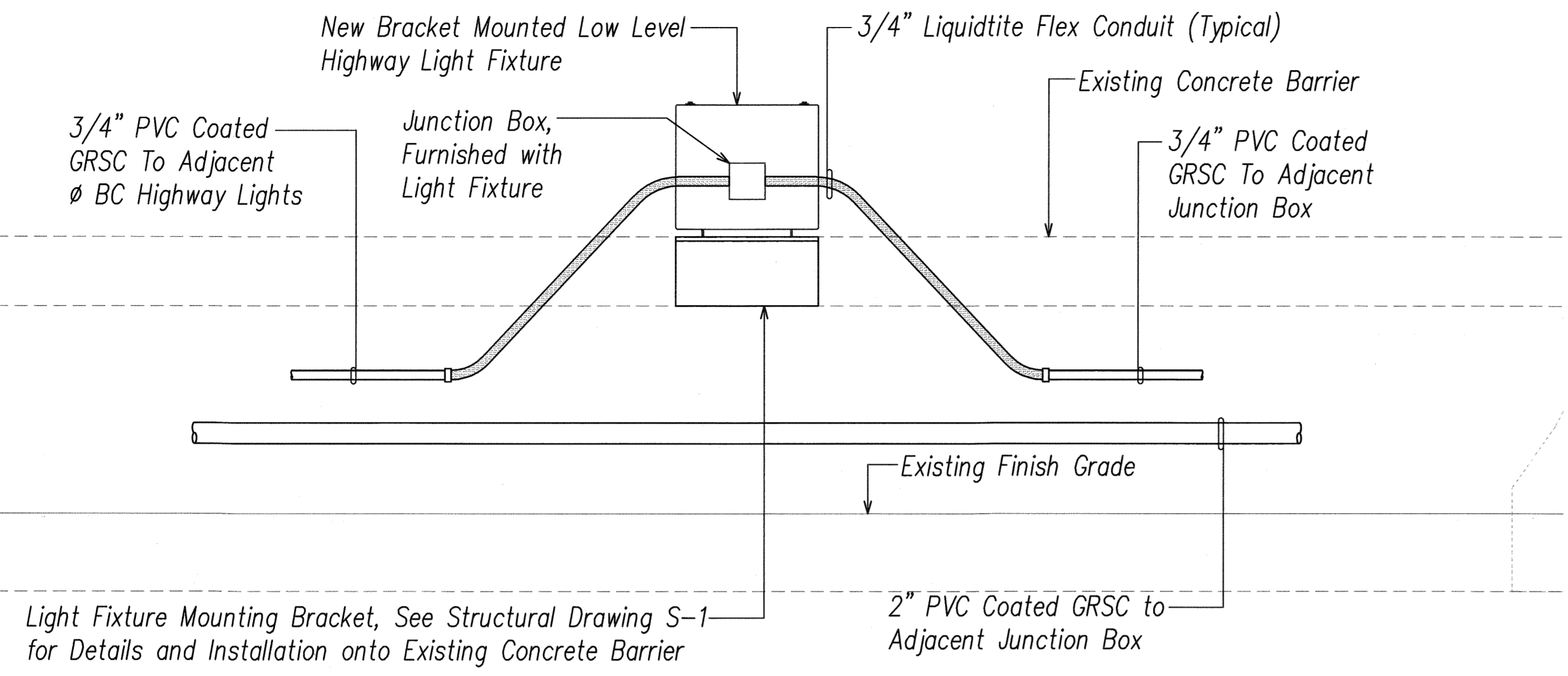
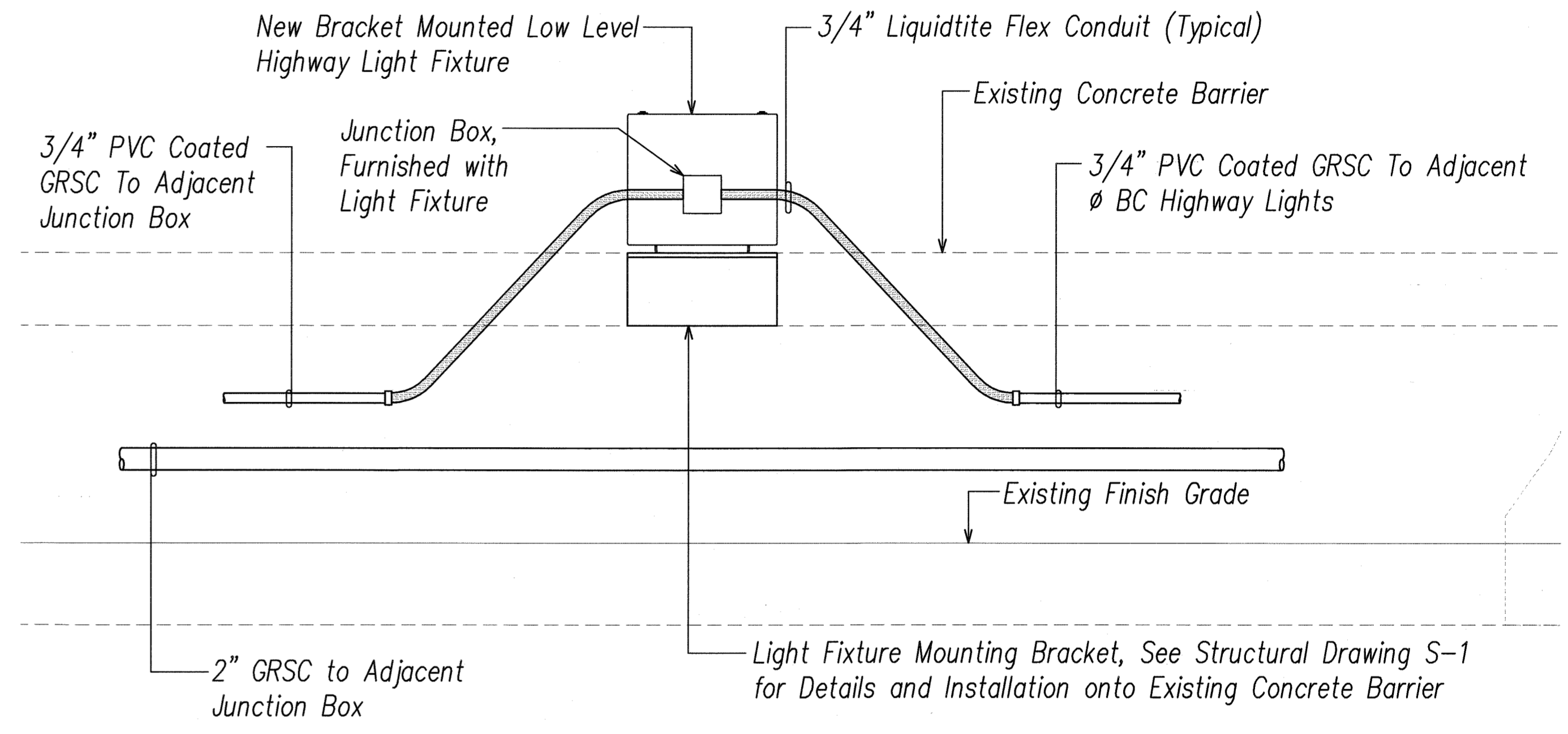


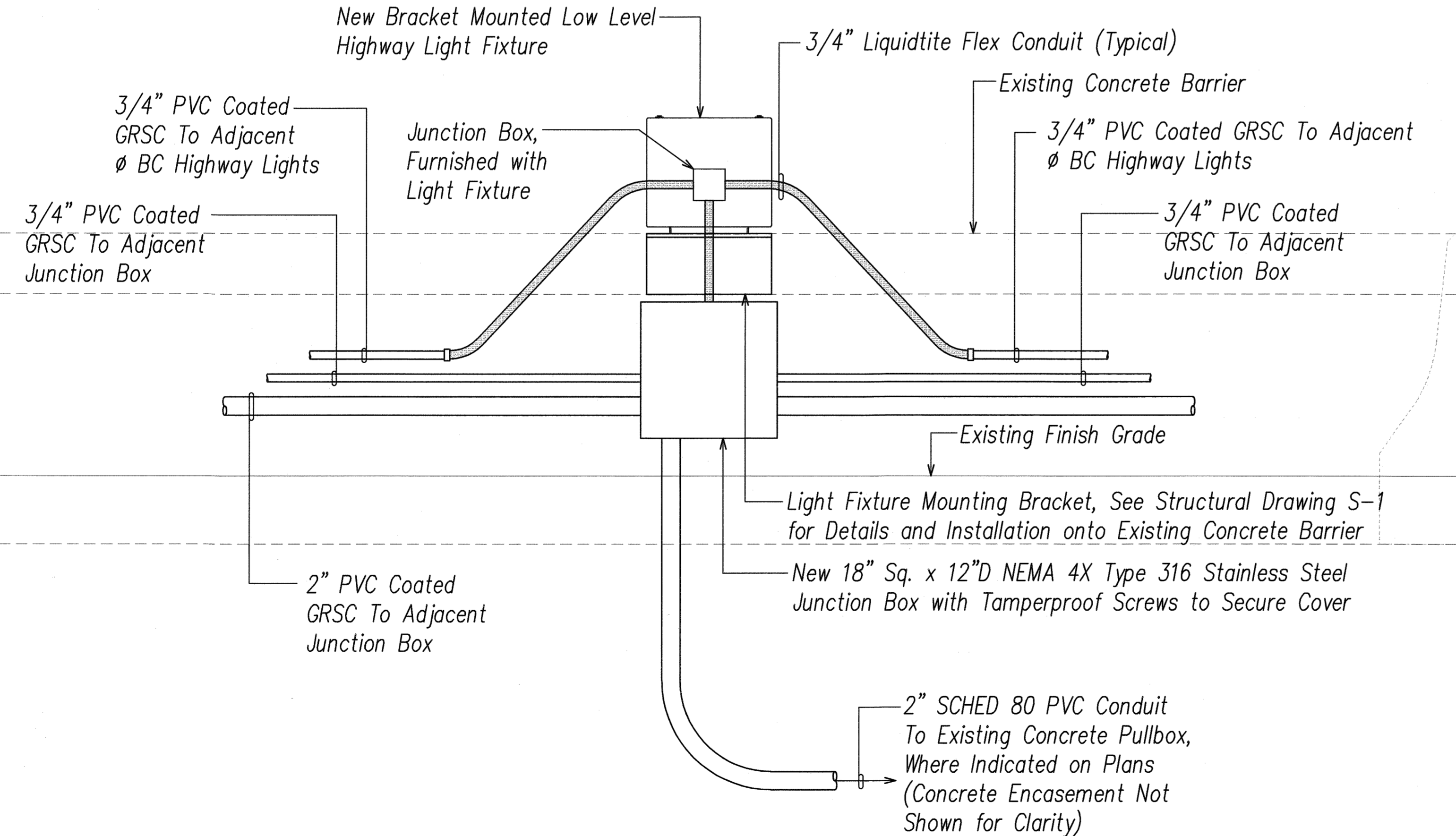
FED. ROAD DIST. NO.	STATE	PROJ. NO.	FISCAL YEAR	SHEET NO.	TOTAL SHEETS
HAWAII	HAW.	HWY-0-03-05MR	2008	24	38



1 TYPICAL ELEVATION "A"
E-23 NOT TO SCALE



3 TYPICAL ELEVATION "C"
E-23 NOT TO SCALE

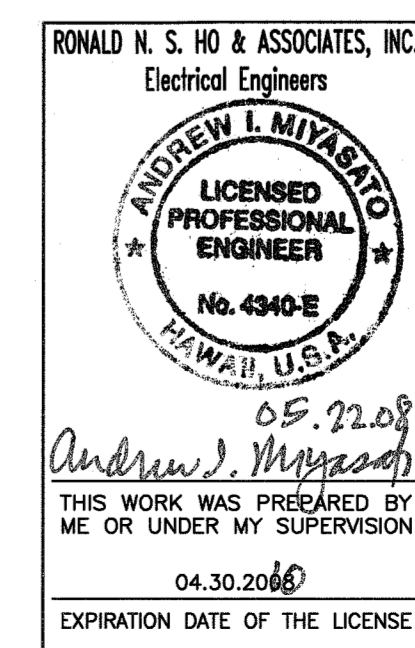


2 TYPICAL ELEVATION "B"
E-23 NOT TO SCALE

TYPICAL ELEVATIONS FOR WIRING TO HIGHWAY LIGHTS
NOT TO SCALE

DATE	_____
DESIGNED BY	_____
TRACED BY	_____
DESIGNED BY	_____
QUANTITIES BY	_____
CHECKED BY	_____
No.	_____

LAST SAVE: 05/03/07 @ 06:00:03 BY: AM PL01 SC 1'-1"
Z:\CAD\PROJECTS\24056A\022_2481_1.rvt Jry Jig P. enations XREFS: _X24056A_CONC BARRIER



STATE OF HAWAII
DEPARTMENT OF TRANSPORTATION
HIGHWAYS DIVISION

TYPICAL ELEVATIONS FOR WIRING TO HIGHWAY LIGHT FIXTURES
H-2 RAIL LIGHT REPLACEMENT,
VICINITY OF WAHIAWA OFF RAMP

Project No. HWY-0-03-05MR
Scale: AS NOTED Date: MAY 2008

SHEET No. E-23 OF 35 SHEETS