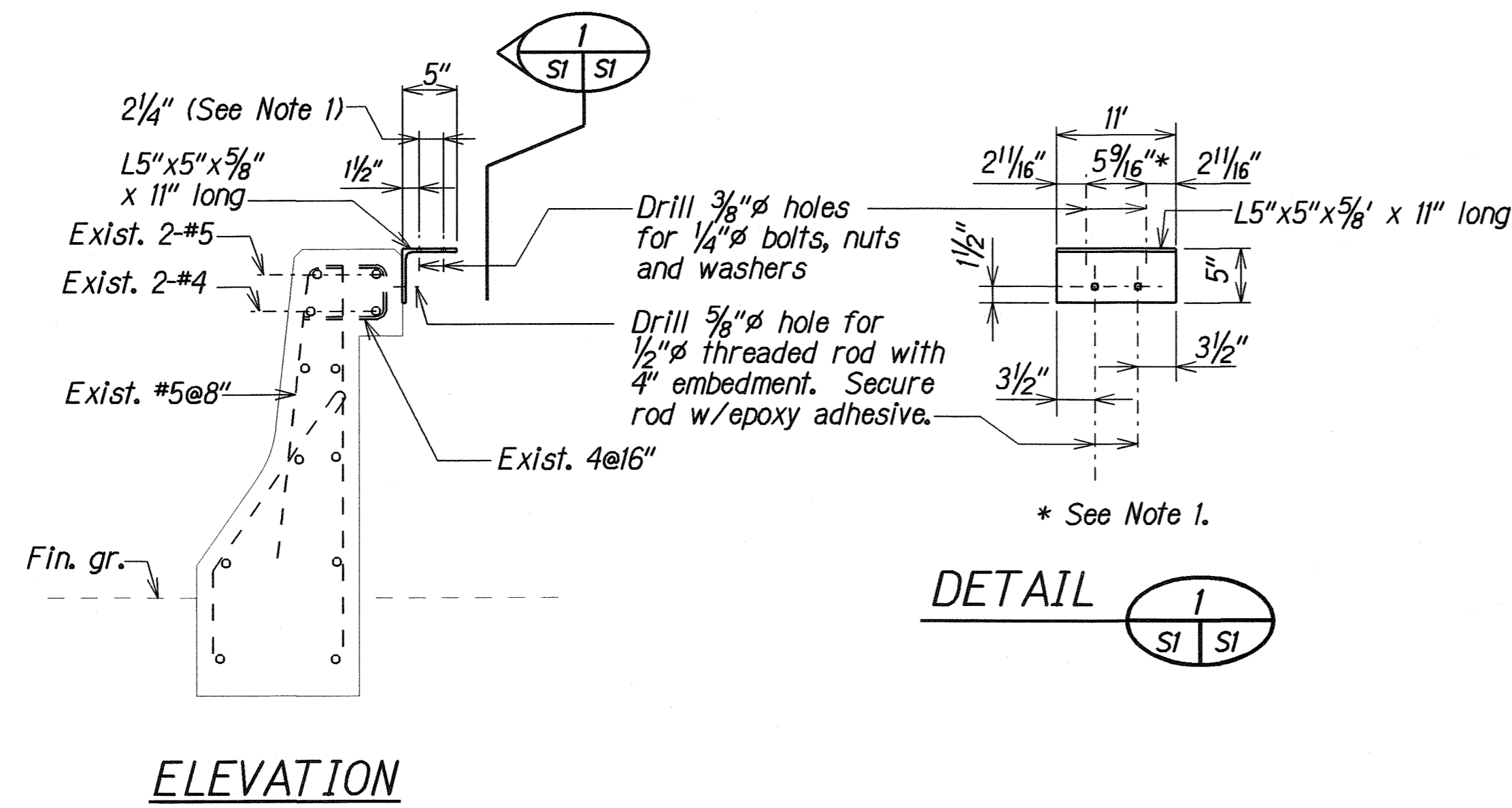
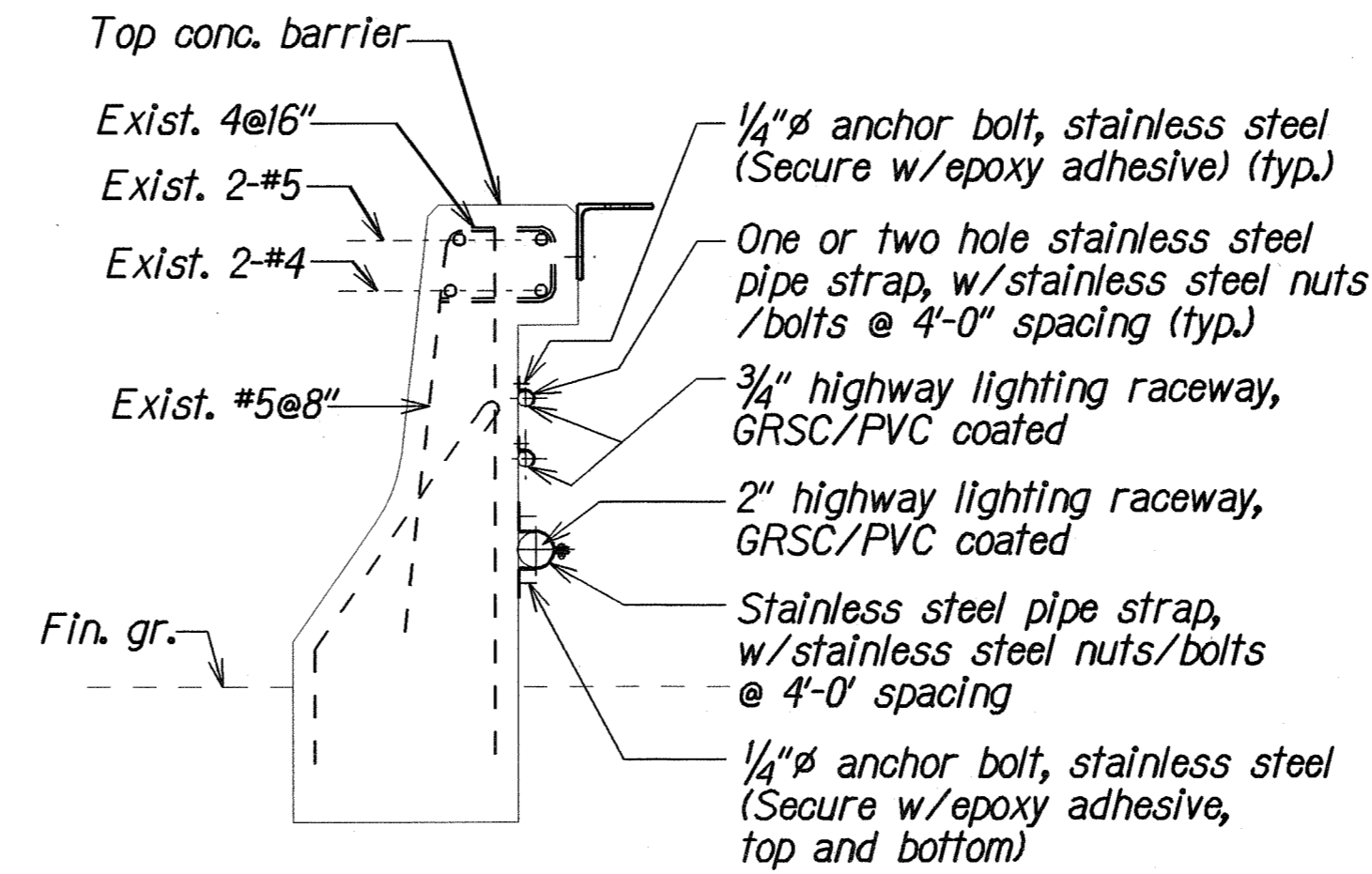


FED. ROAD DIST. NO.	STATE	PROJ. NO.	FISCAL YEAR	SHEET NO.	TOTAL SHEETS
HAWAII	HAW.	HWY-0-03-05MR	2008	37	38



ELEVATION



PIPE STRAP DETAIL

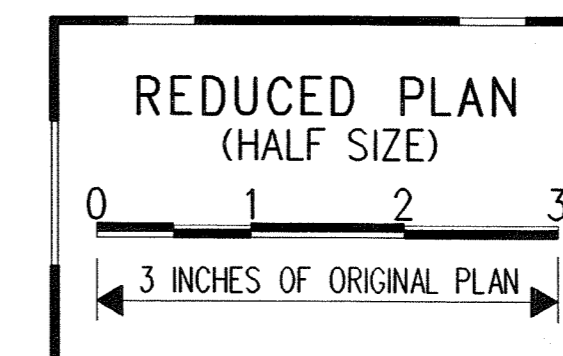
MOUNTING DETAILS FOR LOW LEVEL LIGHT FIXTURE

Scale: 1" = 1'-0"

NOTES:

1. Contractor shall verify location of mounting bolts to ensure proper mounting with actual light fixture to be installed.
2. All structural steel shall be ASTM A 36, hot-dip galvanized AFTER fabrication.
3. Payment for Mounting of Low Level Light Fixtures shall be paid for under its respective Low Level Highway Light Fixture Payment Item Number and will not be paid for separately.
4. Payment for the various Pipe Strap Supports shall be paid for under its respective New Surface Mounted Galvanized Rigid Steel Conduit with PVC Coating Payment Item Number and will not be paid for separately.

DESIGNED BY	DATE
XXX	XXX 1997
TRACED BY	
XXX	XXX 1997
DESIGNED BY	
XXX	XXX 1997
QUANTITIES BY	
XXX	XXX 1997
CHECKED BY	
XXX	XXX 1997



STATE OF HAWAII  
DEPARTMENT OF TRANSPORTATION  
HIGHWAYS DIVISION

**MOUNTING DETAILS  
FOR LOW LEVEL FIXTURE**

H-2 RAIL LIGHTING REPLACEMENT  
VICINITY OF WAHTAWA OFF RAMP  
Project No. HWY-0-03-05MR

Scale: As Noted Date: May 2008