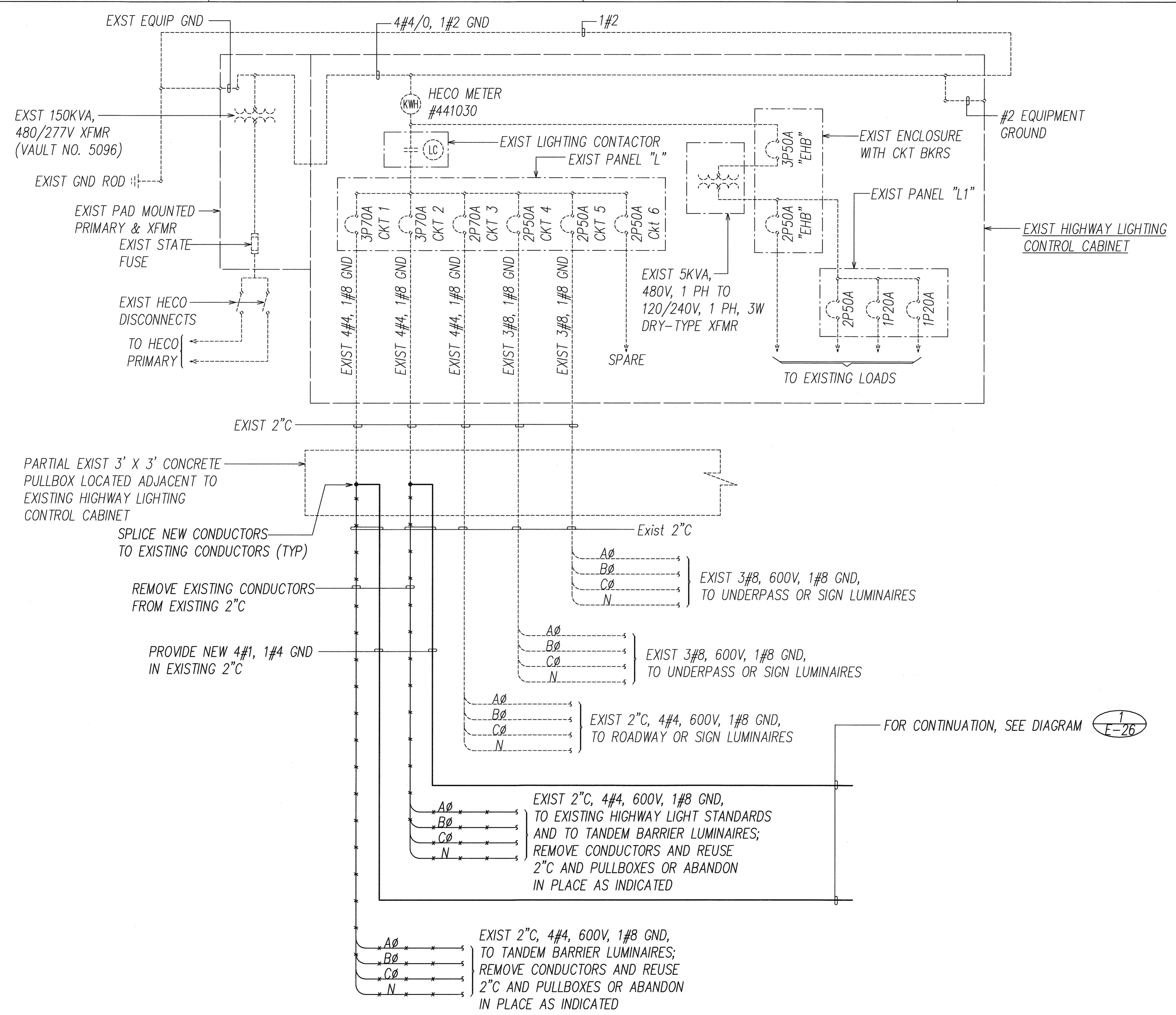


FED. ROAD DIST. NO.	STATE	PROJ. NO.	FISCAL YEAR	SHEET NO.	TOTAL SHEETS
HAWAII	HAW.	HWY-0-03-05MR	2008	27	38



1 E-26 EXISTING LIGHTING SYSTEM DIAGRAM I WITH MODIFICATIONS

ORIGINAL PLAN	DATE
SURVEY PLOTTED BY	
DRAWN BY	
TRACED BY	
DESIGNED BY	
CHECKED BY	
NOTE BOOK	
QUANTITIES BY	
NO.	

LAST SAVE: 06/03/07 @ 08:01:13 BY: AM PLAT SK 1'-0"=1'
 Z:\CAD\PROJECTS\24050A\2008_24181_Hwy L Diagram 1.dwg PERS _24050A-ONE-UNED

RONALD N. S. HO & ASSOCIATES, INC.
 Electrical Engineers

ANDREW L. MIYAGAKI
 LICENSED PROFESSIONAL ENGINEER
 No. 4340-E

05.22.08
 Andrew L. Miyagaki
 THIS WORK WAS PREPARED BY ME OR UNDER MY SUPERVISION
 04.30.2008
 EXPIRATION DATE OF THE LICENSE

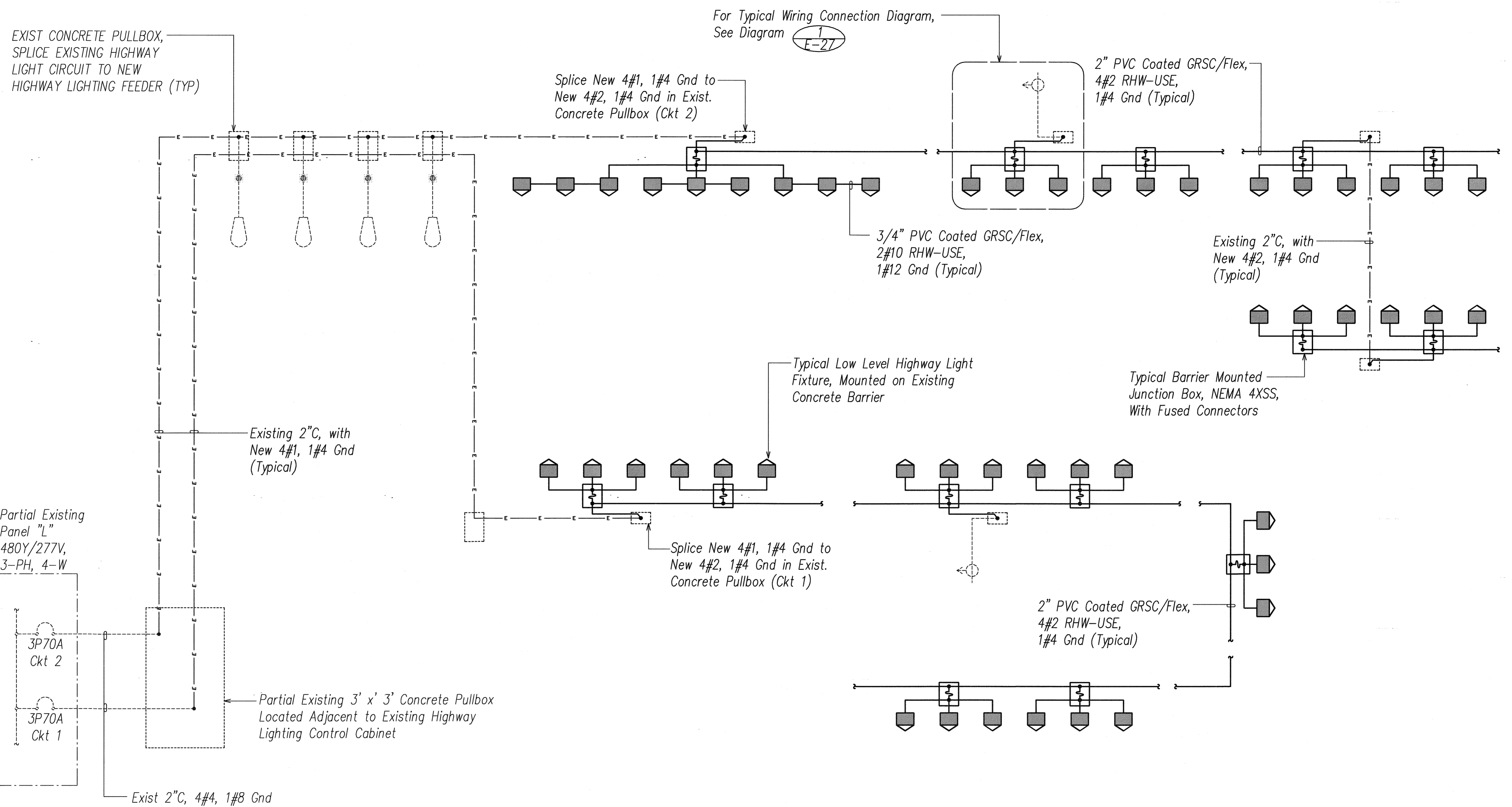
STATE OF HAWAII
 DEPARTMENT OF TRANSPORTATION
 HIGHWAYS DIVISION

EXISTING LIGHTING SYSTEM
DIAGRAM I WITH MODIFICATIONS
 H-2 RAIL LIGHT REPLACEMENT,
 VICINITY OF WAHIAWA OFF RAMP

Project No. HWY-0-03-05MR
 Scale: AS NOTED Date: MAY 2008

SHEET No. E-26 OF 35 SHEETS

FED. ROAD DIST. NO.	STATE	PROJ. NO.	FISCAL YEAR	SHEET NO.	TOTAL SHEETS
HAWAII	HAW.	HWY-0-03-05MR	2008	28	38



DATE	_____
SURVEY PLOTTED BY	_____
PLAN	_____
DRAWN BY	_____
TRACED BY	_____
DESIGNED BY	_____
QUANTITIES BY	_____
CHECKED BY	_____
No.	_____

LAST SAVE: 06/03/07 @ 06:01:31 BY: AM PL07 SC 1'-0"=1'
 Z:\CAD\PROJECTS\24056A\027_2481_1p1_L1 Diagram 11.XPS _2424056A-ONE-11.DWG

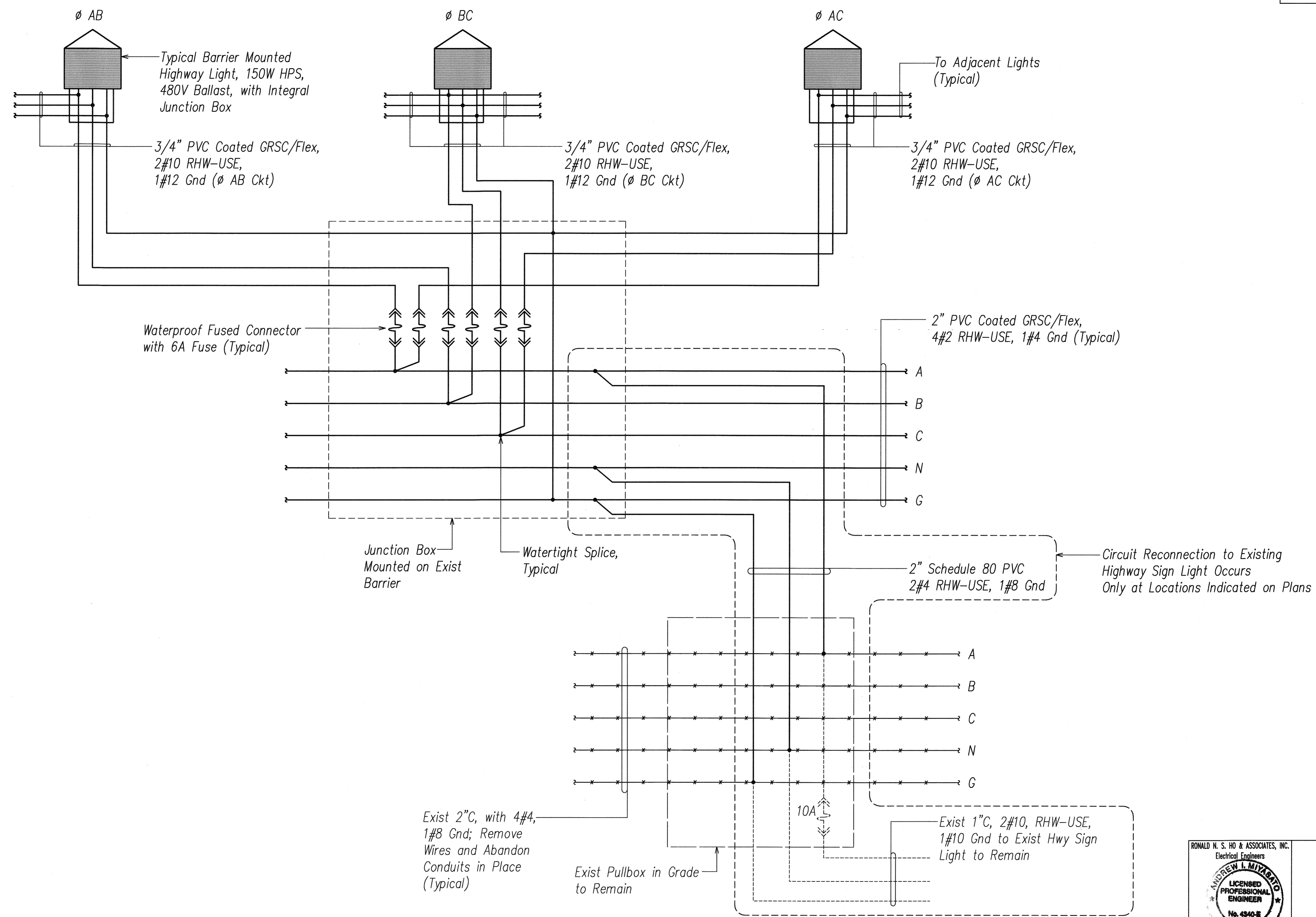
1
E-27 **EXISTING LIGHTING SYSTEM DIAGRAM II WITH MODIFICATIONS**

RONALD N. S. HO & ASSOCIATES, INC.
 Electrical Engineers

 ANDREW I. MIYASATO
 LICENSED PROFESSIONAL ENGINEER
 No. 4340-B
 HAWAII, U.S.A.
 05.22.08
 Andrew I. Miyasato
 THIS WORK WAS PREPARED BY ME OR UNDER MY SUPERVISION
 04.30.2008
 EXPIRATION DATE OF THE LICENSE

STATE OF HAWAII
 DEPARTMENT OF TRANSPORTATION
 HIGHWAYS DIVISION
EXISTING LIGHTING SYSTEM
DIAGRAM II WITH MODIFICATIONS
 H-2 RAIL LIGHT REPLACEMENT,
 VICINITY OF WAHIAWA OFF RAMP
 Project No. HWY-0-03-05MR
 Scale: AS NOTED Date: MAY 2008
 SHEET No. E-27 OF 35 SHEETS

FED. ROAD DIST. NO.	STATE	PROJ. NO.	FISCAL YEAR	SHEET NO.	TOTAL SHEETS
HAWAII	HAW.	HWY-0-03-05MR	2008	29	38



1
E-28 TYPICAL WIRING CONNECTION DIAGRAM

ORIGINAL PLAN	SURVEY PLOTTED BY	DATE
NOTE BOOK	TRACED BY	
No.	DESIGNED BY	
	CHECKED BY	

LAST SAVE: 05/02/07 @ 08:01:58 BY: AM PL07 SC 1'-0"=1'
Z:\CAD\PROJECTS\24056A\WORK_2418_1\HWY LI Diagram II.XREFS: _24056A-DWG-UNED

RONALD N. S. HO & ASSOCIATES, INC.
Electrical Engineers
ANDREW I. MIYABE
LICENSED PROFESSIONAL ENGINEER
No. 4340-E
HAWAII, U.S.A.
05.22.08
Andrew I. Miyabe
THIS WORK WAS PREPARED BY ME OR UNDER MY SUPERVISION
04.30.2008
EXPIRATION DATE OF THE LICENSE

STATE OF HAWAII
DEPARTMENT OF TRANSPORTATION
HIGHWAYS DIVISION
TYPICAL WIRING
CONNECTION DIAGRAM
H-2 RAIL LIGHT REPLACEMENT,
VICINITY OF WAHIAWA OFF RAMP
Project No. HWY-0-03-05MR
Scale: AS NOTED Date: MAY 2008
SHEET No. E-28 OF 35 SHEETS