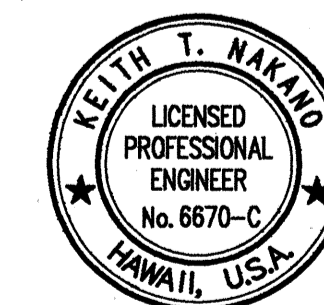
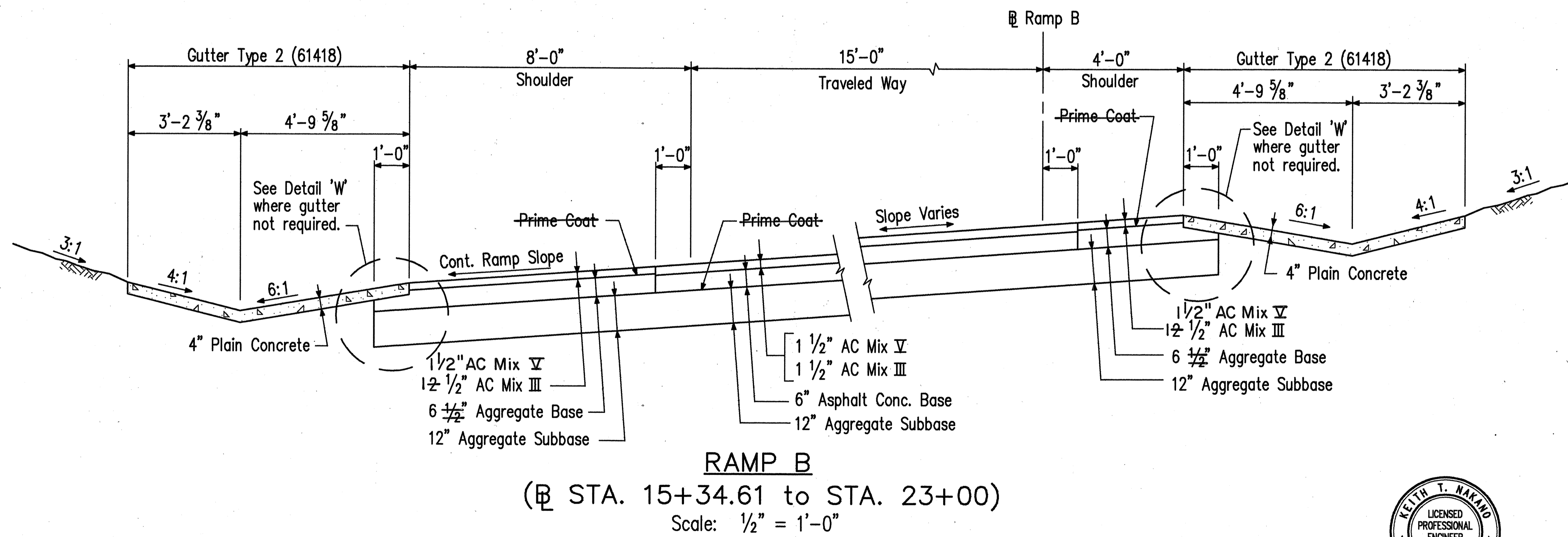
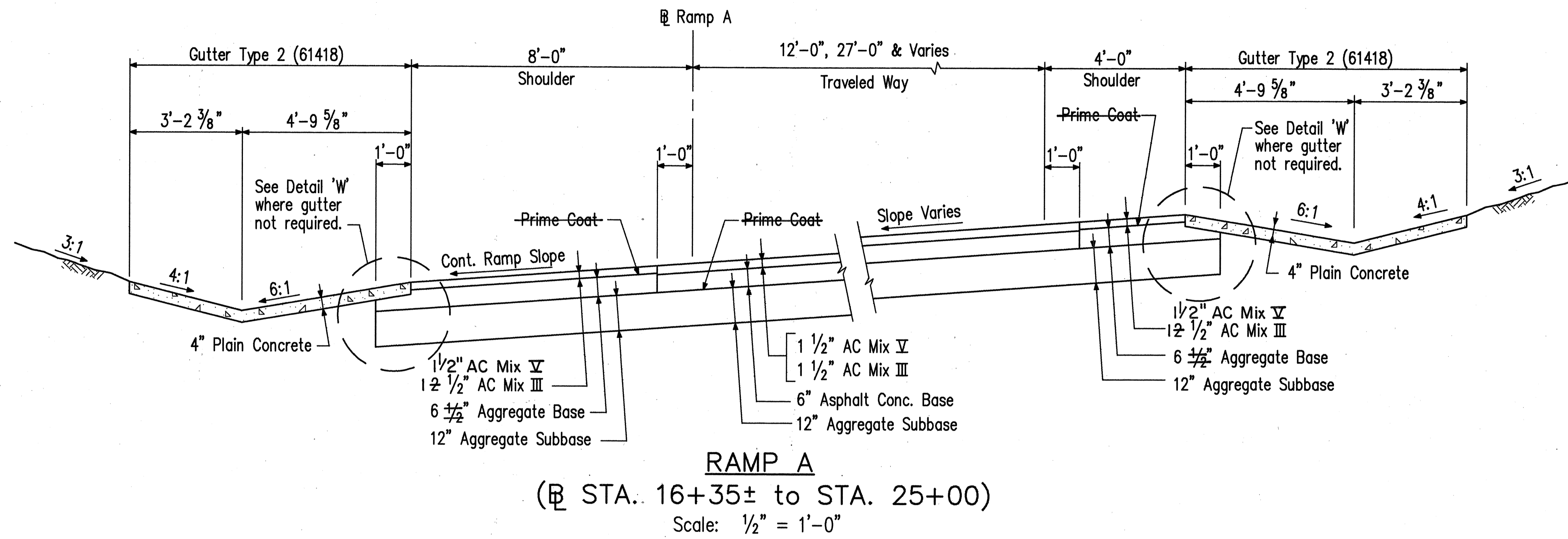


FED. ROAD DIST. NO.	STATE	FED. AID PROJ. NO.	FISCAL YEAR	SHEET NO.	TOTAL SHEETS
HAWAII	HAW.	PMTF2-G02-94		3	84



THIS WORK WAS PREPARED BY ME OR UNDER MY SUPERVISION.  
 Keith T. Nakano

CASTLE & COOKE RESIDENTIAL, Inc.

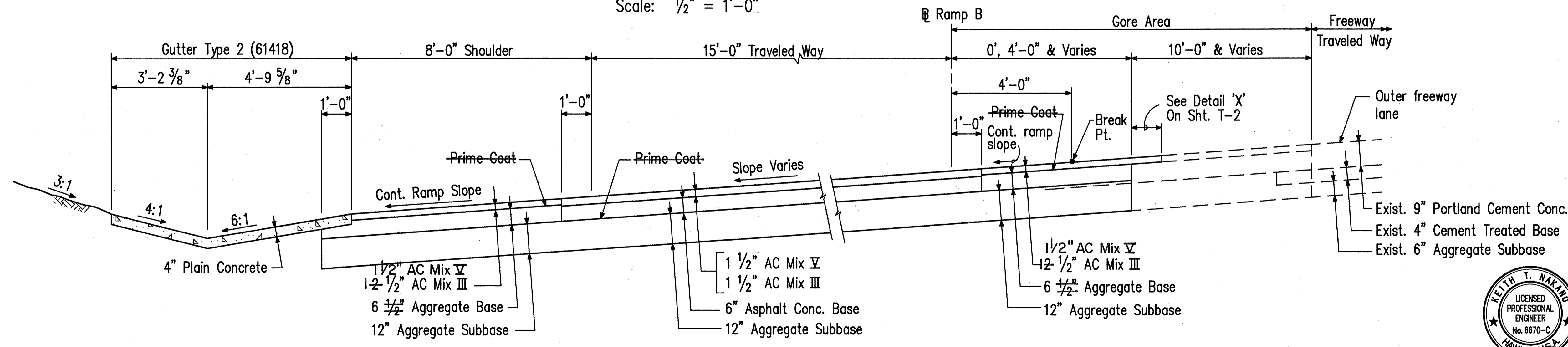
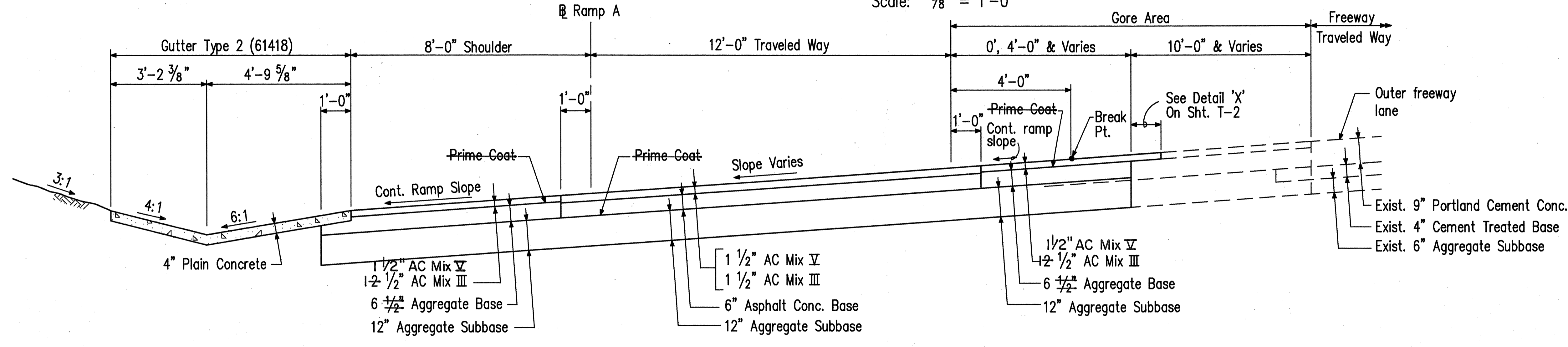
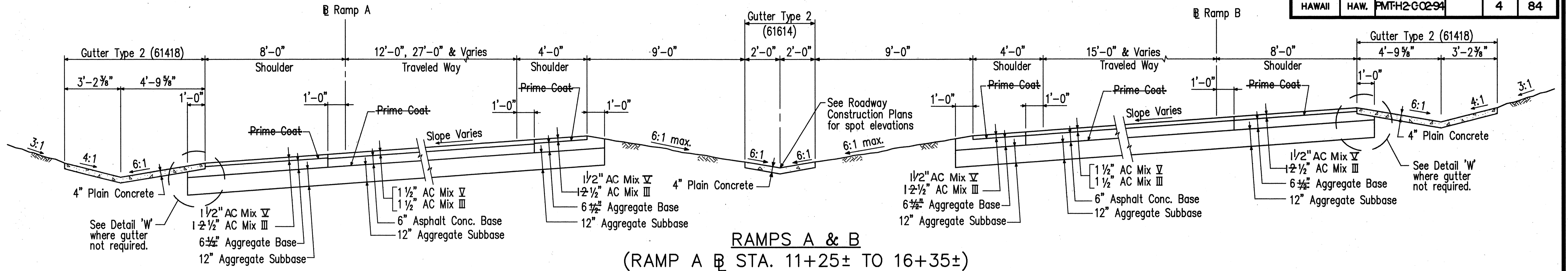
**TYPICAL SECTIONS**

MILILANI INTERCHANGE  
 NORTHBOUND ON- AND OFF-RAMPS

SCALE: AS SHOWN      DATE: March 1992

SHEET No. T-1 OF 3 SHEETS

FED. ROAD DIST. NO.	STATE	FED. AID PROJ. NO.	FISCAL YEAR	SHEET NO.	TOTAL SHEETS
HAWAII	HAW.	PMFH2-G0294		4	84



THIS WORK WAS PREPARED BY ME OR UNDER MY SUPERVISION.  
*Keith T. Nakano*

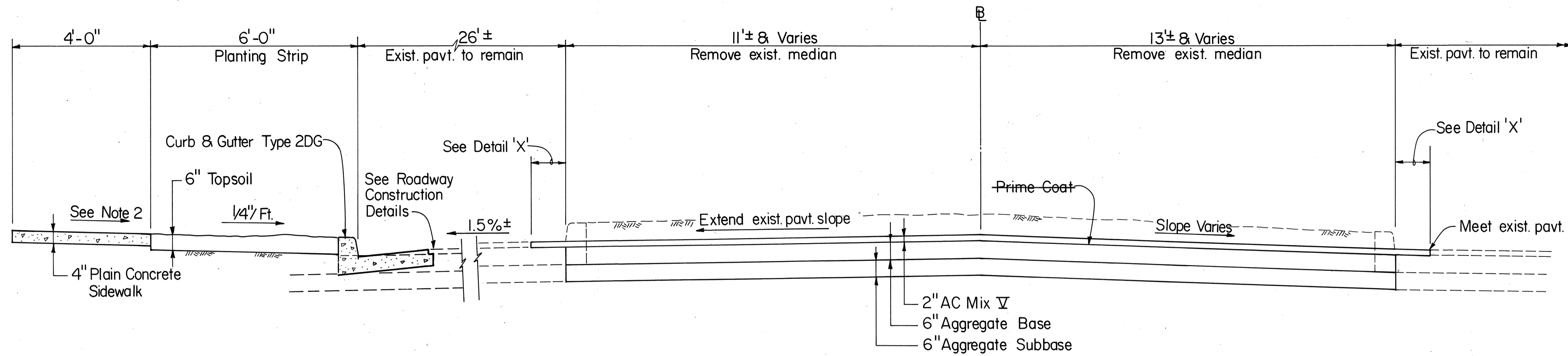
CASTLE & COOKE RESIDENTIAL, Inc.

**TYPICAL SECTIONS**

MILLAN INTERCHANGE  
NORTHBOUND ON- AND OFF-RAMPS

SCALE: AS SHOWN DATE: March 1992  
SHEET No. T-2 OF 3 SHEETS

FED. ROAD DIST. NO.	STATE	FED. AID PROJ. NO.	FISCAL YEAR	SHEET NO.	TOTAL SHEETS
HAWAII	HAW.	PMT-H2-C-0294		5	84

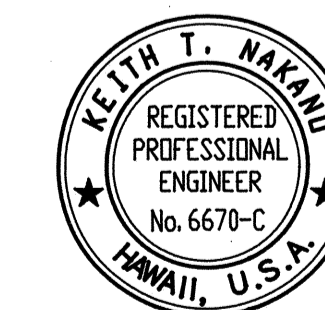
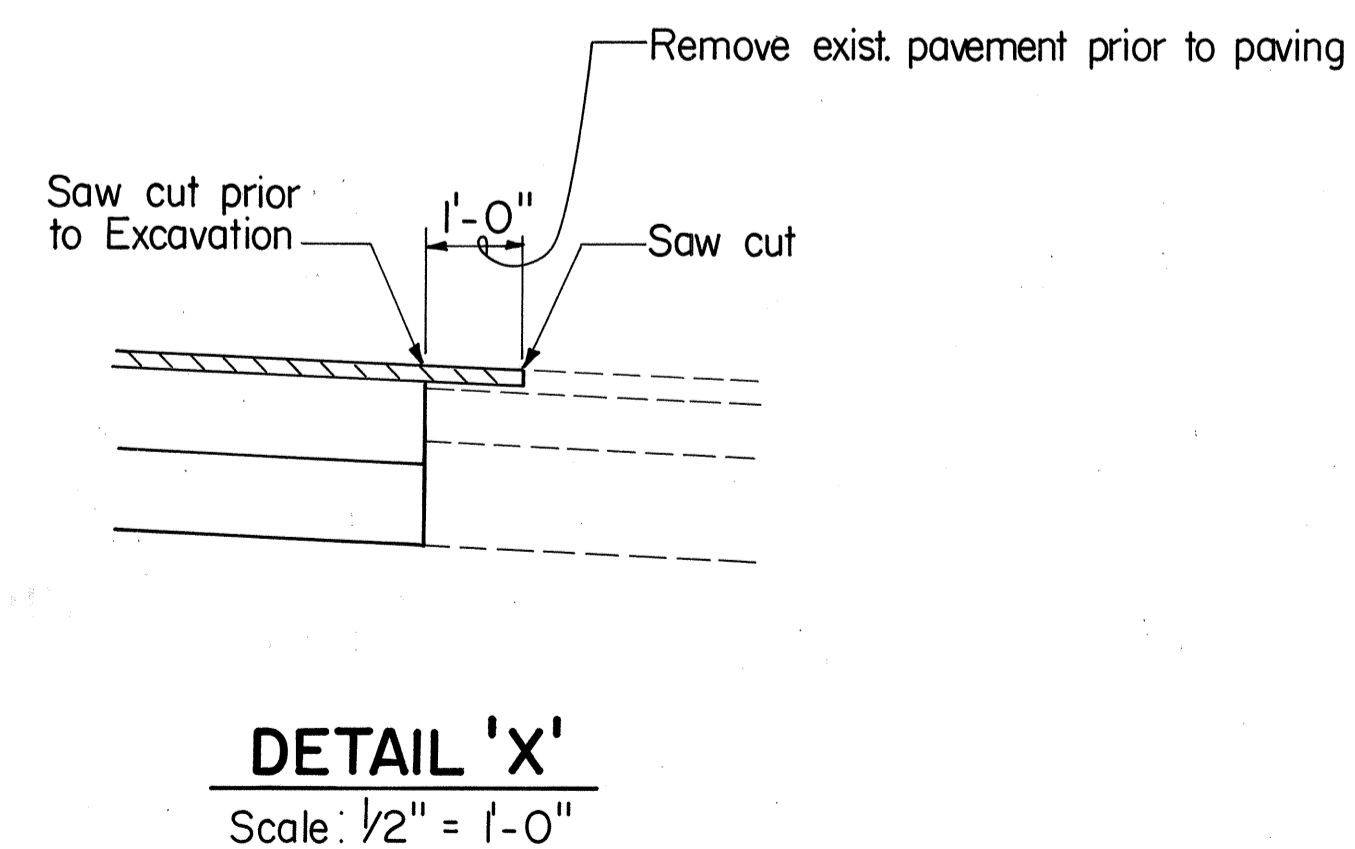
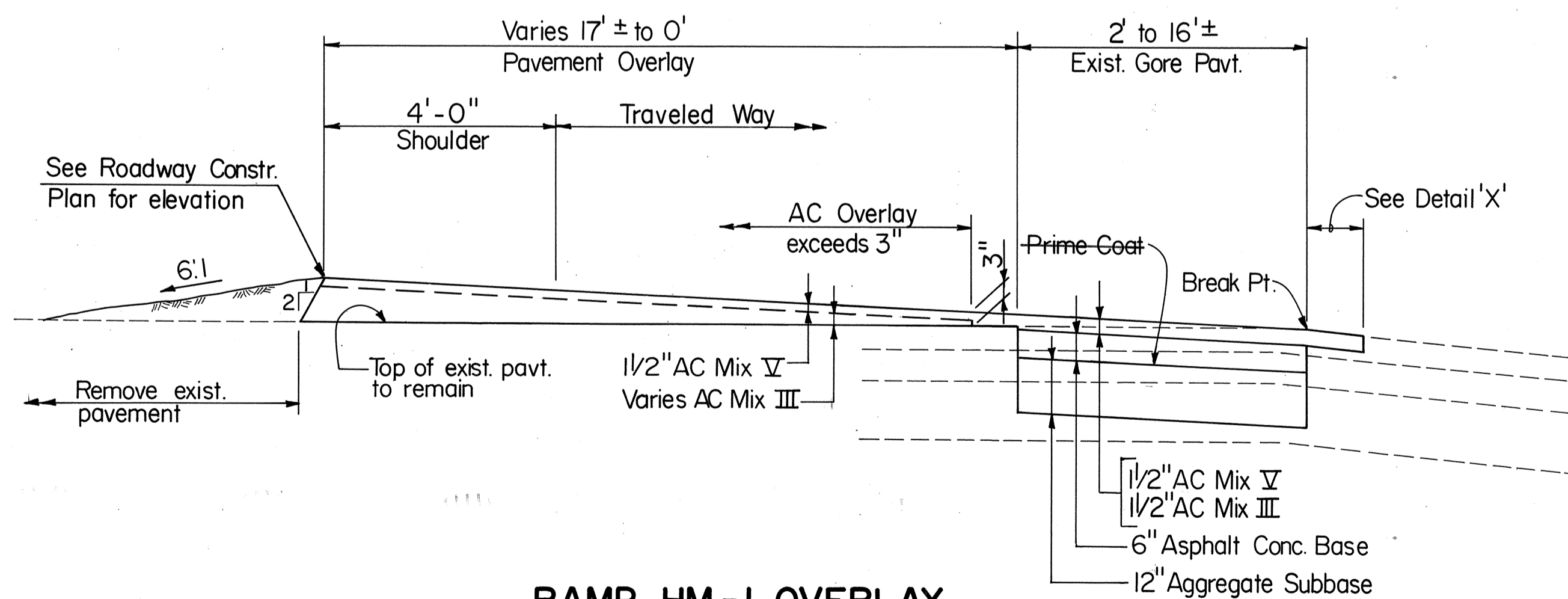
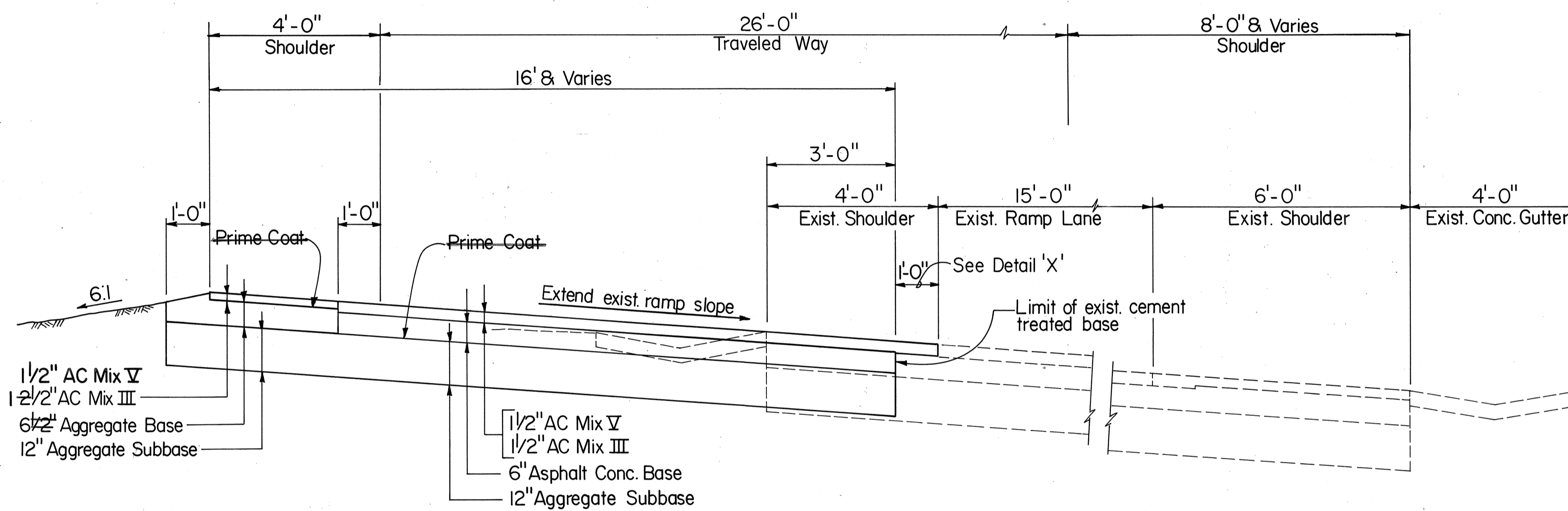


**TYPICAL SECTION NOTES:**

1. See Roadway Construction Plans for Limits of Roadway and Sidewalk Reconstruction.
2. Cross Slope of Sidewalk shall be 1/4"/ft.
3. Provide Expansion Joints in concrete curb & gutters and in concrete sidewalks at a spacing not exceeding 100 feet and at beginning and end of curb returns. Joints in sidewalk shall be in line with joints in abutting curb.

**ABBREVIATIONS:**

- AC Asphalt Concrete
- Ⓟ Baseline
- Conc. Concrete
- Ⓢ Centerline



THIS WORK WAS PREPARED BY ME OR UNDER MY SUPERVISION.  
*Keith T. Nakano*

CASTLE & COOKE RESIDENTIAL, Inc.

**TYPICAL SECTIONS**

MILILANI INTERCHANGE  
NORTHBOUND ON- AND OFF-RAMPS

SCALE: AS SHOWN DATE: March 1992

SHEET No.T-3 OF 3 SHEETS