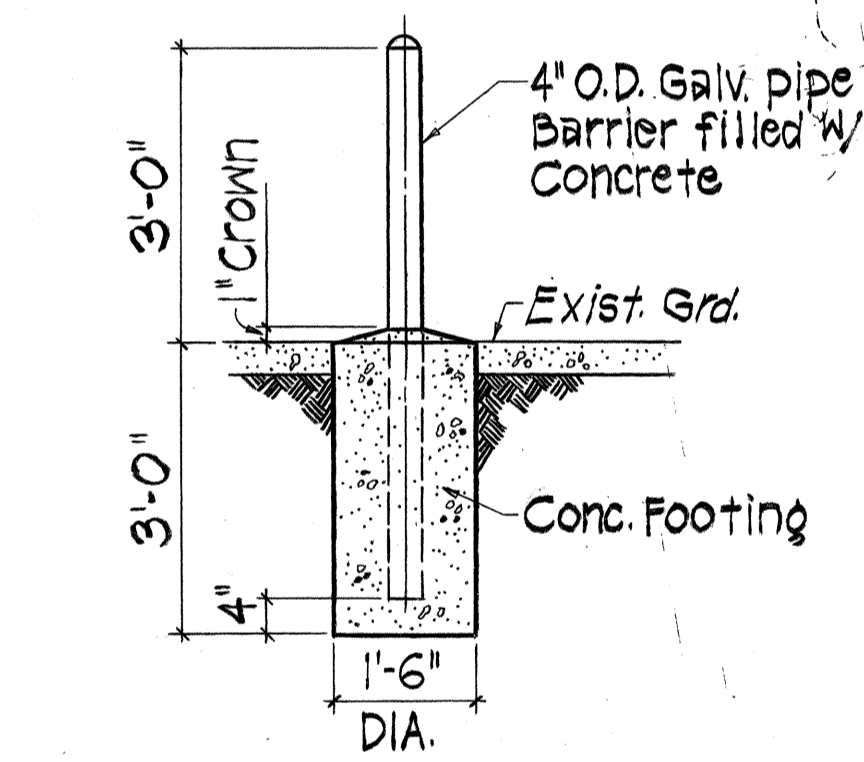
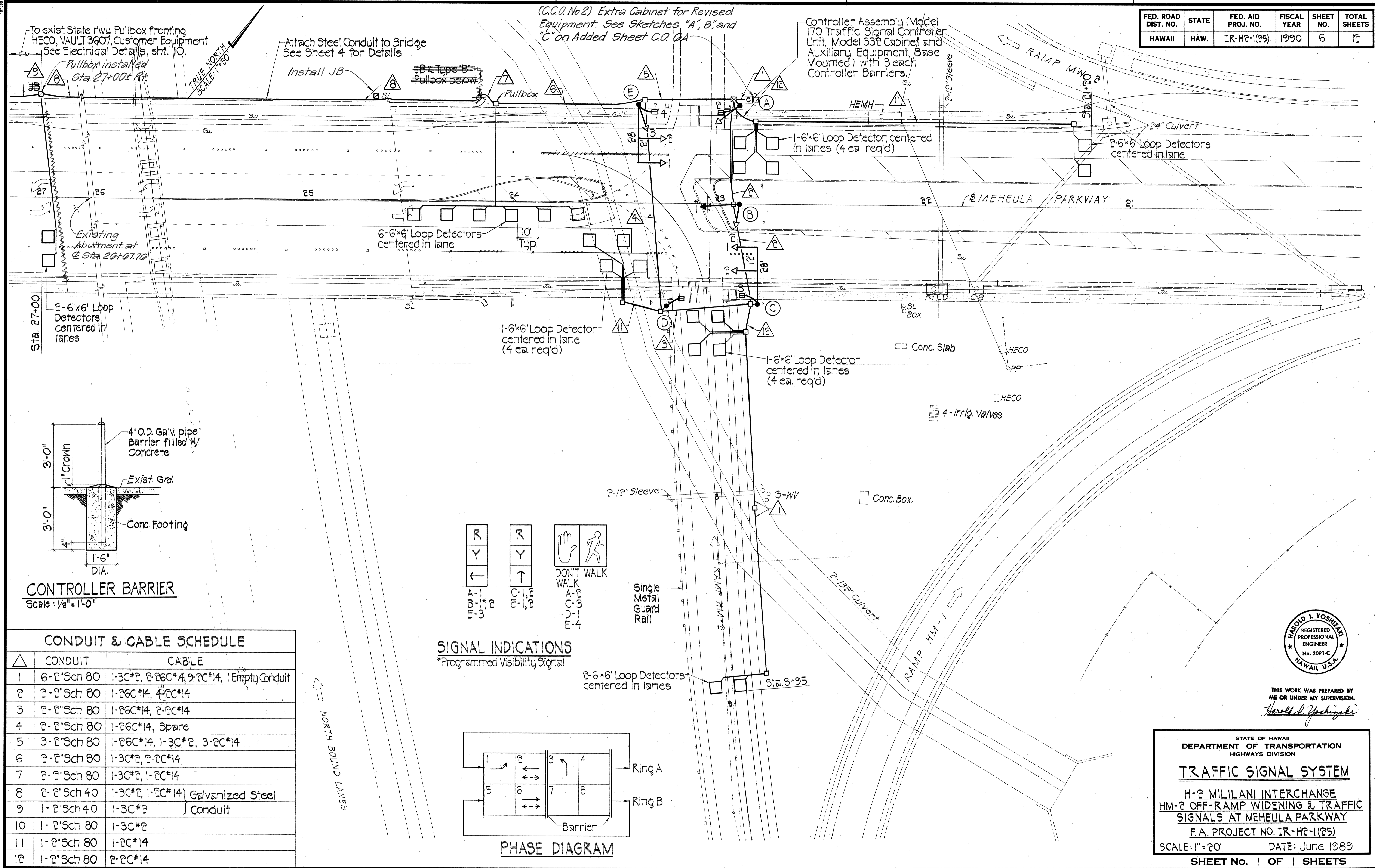
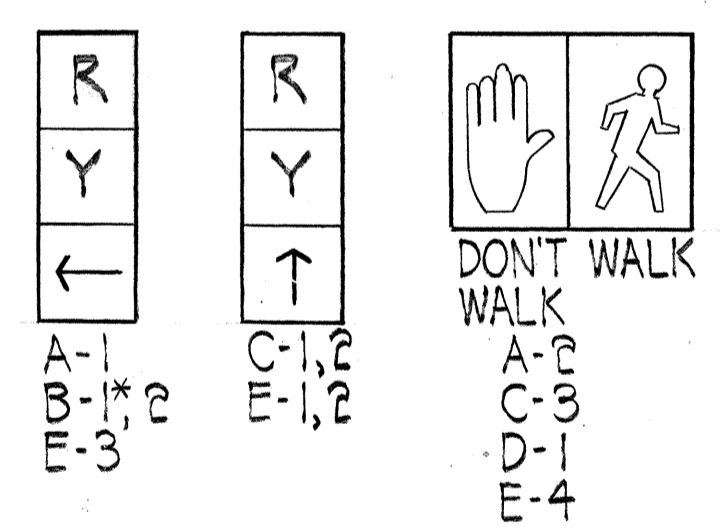


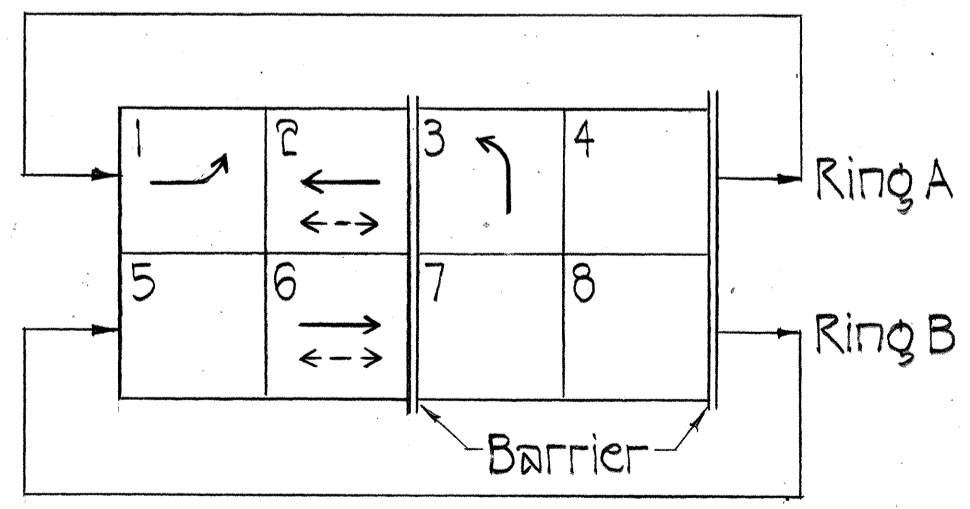
FED. ROAD DIST. NO.	STATE	FED. AID PROJ. NO.	FISCAL YEAR	SHEET NO.	TOTAL SHEETS
HAWAII	HAW.	IR-H2-1(25)	1990	6	12



CONTROLLER BARRIER
Scale: 1/2" = 1'-0"



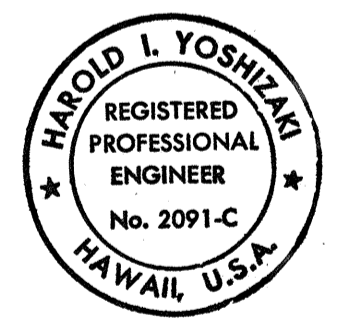
SIGNAL INDICATIONS
*Programmed Visibility Signal



PHASE DIAGRAM

CONDUIT & CABLE SCHEDULE		
△	CONDUIT	CABLE
1	6-2" Sch 80	1-3C#2, 2-26C#14, 9-2C#14, 1 Empty Conduit
2	2-2" Sch 80	1-26C#14, 4-2C#14
3	2-2" Sch 80	1-26C#14, 2-2C#14
4	2-2" Sch 80	1-26C#14, Spare
5	3-2" Sch 80	1-26C#14, 1-3C#2, 3-2C#14
6	2-2" Sch 80	1-3C#2, 2-2C#14
7	2-2" Sch 80	1-3C#2, 1-2C#14
8	2-2" Sch 40	1-3C#2, 1-2C#14 } Galvanized Steel
9	1-2" Sch 40	1-3C#2 } Conduit
10	1-2" Sch 80	1-3C#2
11	1-2" Sch 80	1-2C#14
12	1-2" Sch 80	2-2C#14

DATE
SURVEY PLOTTED BY
DRAWN BY
TRACED BY
DESIGNED BY
CHECKED BY
NO.



THIS WORK WAS PREPARED BY ME OR UNDER MY SUPERVISION.
Harold I. Yoshizaki

STATE OF HAWAII
DEPARTMENT OF TRANSPORTATION
HIGHWAYS DIVISION

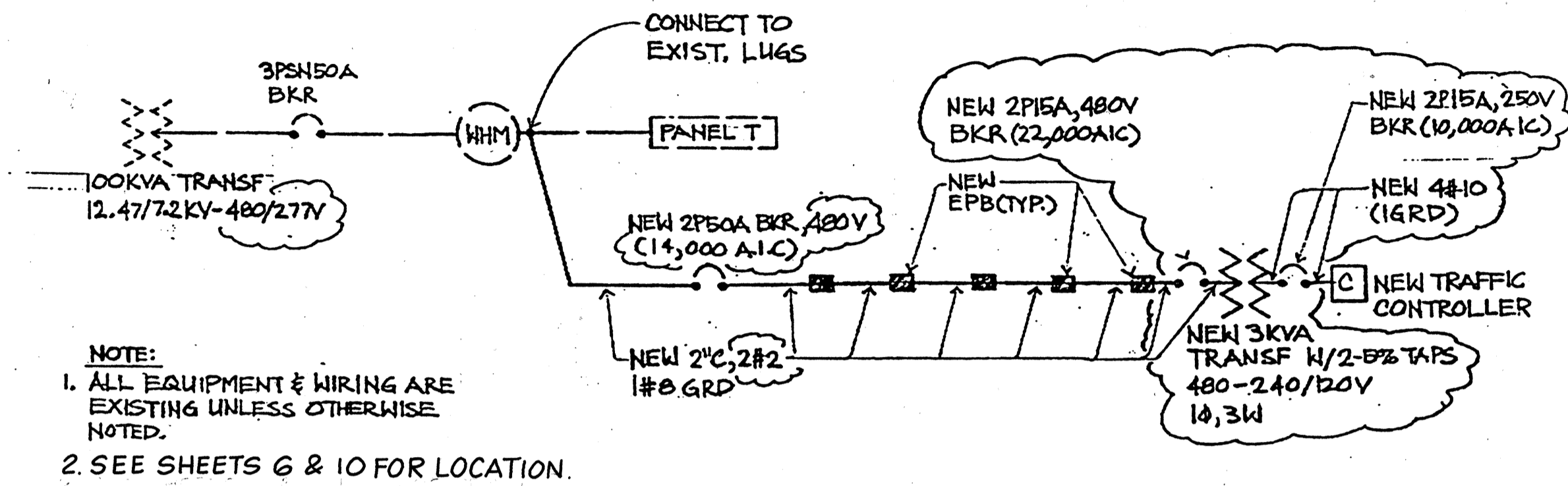
TRAFFIC SIGNAL SYSTEM

H-2 MILILANI INTERCHANGE
HM-2 OFF-RAMP WIDENING & TRAFFIC SIGNALS AT MEHEULA PARKWAY

F.A. PROJECT NO. IR-H2-1(25)
SCALE: 1" = 20' DATE: June 1989

SHEET NO. 1 OF 1 SHEETS

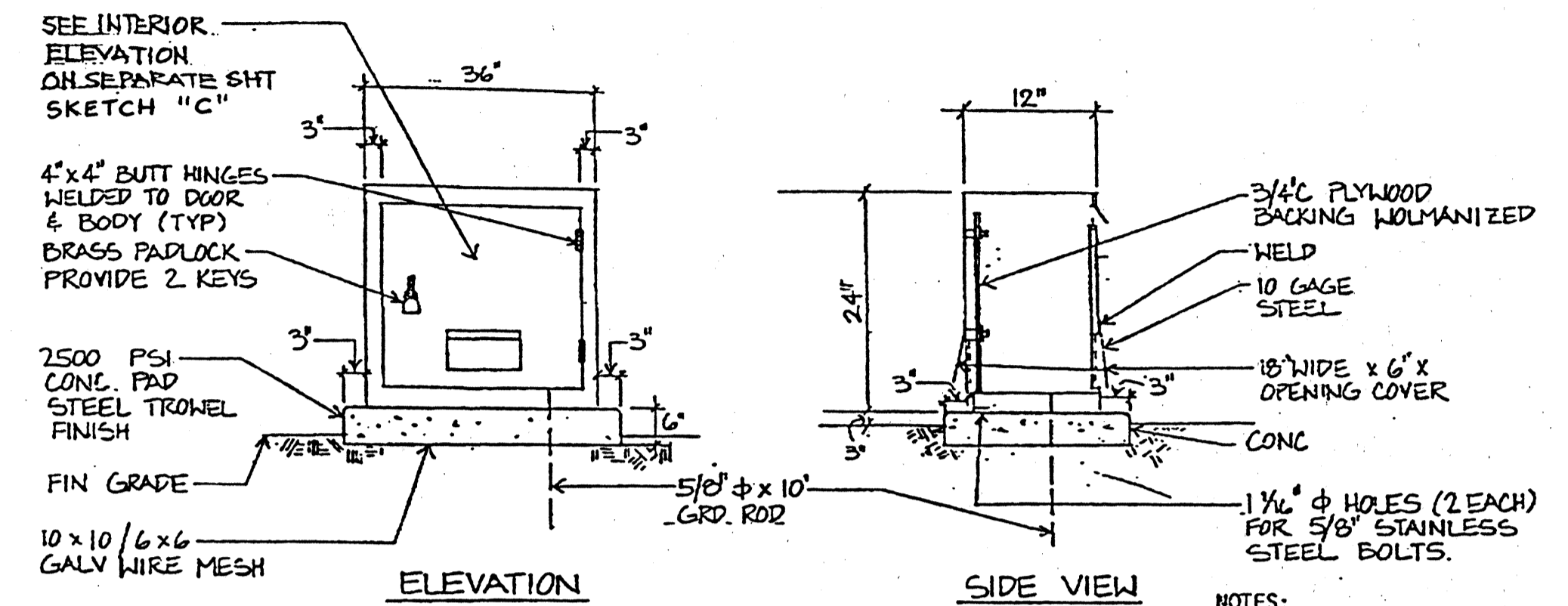
FED. ROAD DIST. NO.	STATE	FED. AID PROJ. NO.	FISCAL YEAR	SHEET NO.	TOTAL SHEETS
HAWAII	HAW.	IR-H2-1(25)	1990	C.O.6A	12



NOTE:
1. ALL EQUIPMENT & WIRING ARE EXISTING UNLESS OTHERWISE NOTED.
2. SEE SHEETS 6 & 10 FOR LOCATION.

SINGLE LINE DIAGRAM
N.T.S.

SKETCH "A"
C.C.O. NO. 2

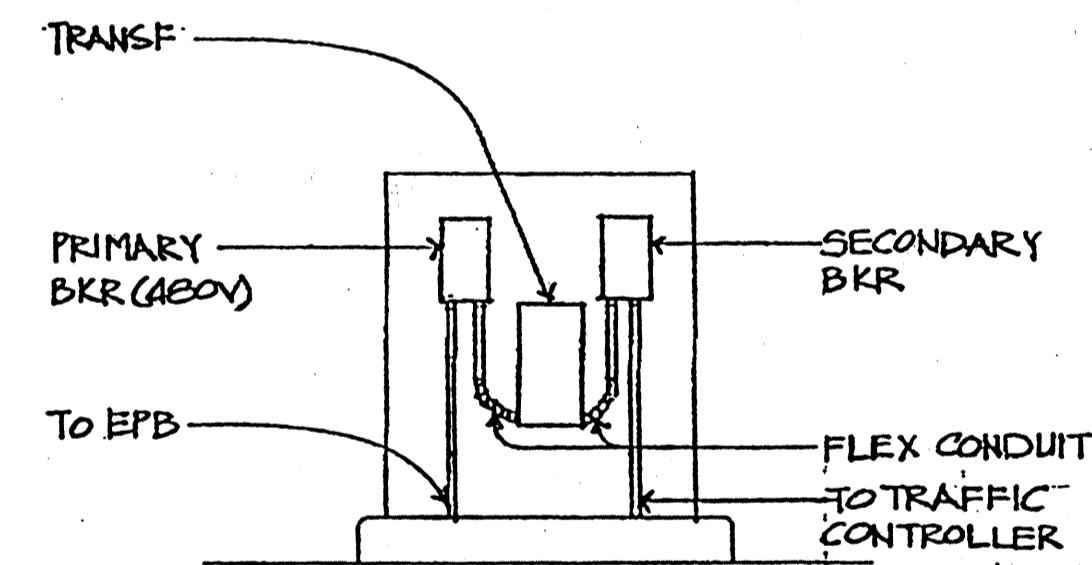


METAL CABINET ENCLOSURE DETAIL
N.T.S.

LOCATE ADJACENT TO TRAFFIC CONTROLLER.

SKETCH "B"
C.C.O. NO. 2

- NOTES:
1. PROVIDE LARGER ENCLOSURE IF NEEDED TO SUIT EQUIPMENT.
 2. ENCLOSURES TO BE GALVANIZED STEEL AND PAINTED.
 3. PAINT ONE COAT ZINC RICH PRIMER AND TWO 4-MIL MET FILM COATS OF DEVOE #58177-01, GREEN COLOR.
 4. PAINT BOTTOM AND LOWER 6" OF ENCLOSURE WITH ASPHALT PAINT ON INSIDE AND OUTSIDE BEFORE PLACING ON CONCRETE PAD.



INTERIOR ELEVATION
N.T.S.

SKETCH "C"
C.C.O. NO. 2

Note: This Tracing Prepared during "As-Built" Posting.

STATE OF HAWAII
DEPARTMENT OF TRANSPORTATION
HIGHWAYS DIVISION

TRAFFIC SIGNAL SYSTEM

H-2 MILILANI INTERCHANGE
HM-2 OFF-RAMP WIDENING & TRAFFIC SIGNALS AT MEHEULA PARKWAY

F.A. PROJECT NO. IR-H2-1(25)

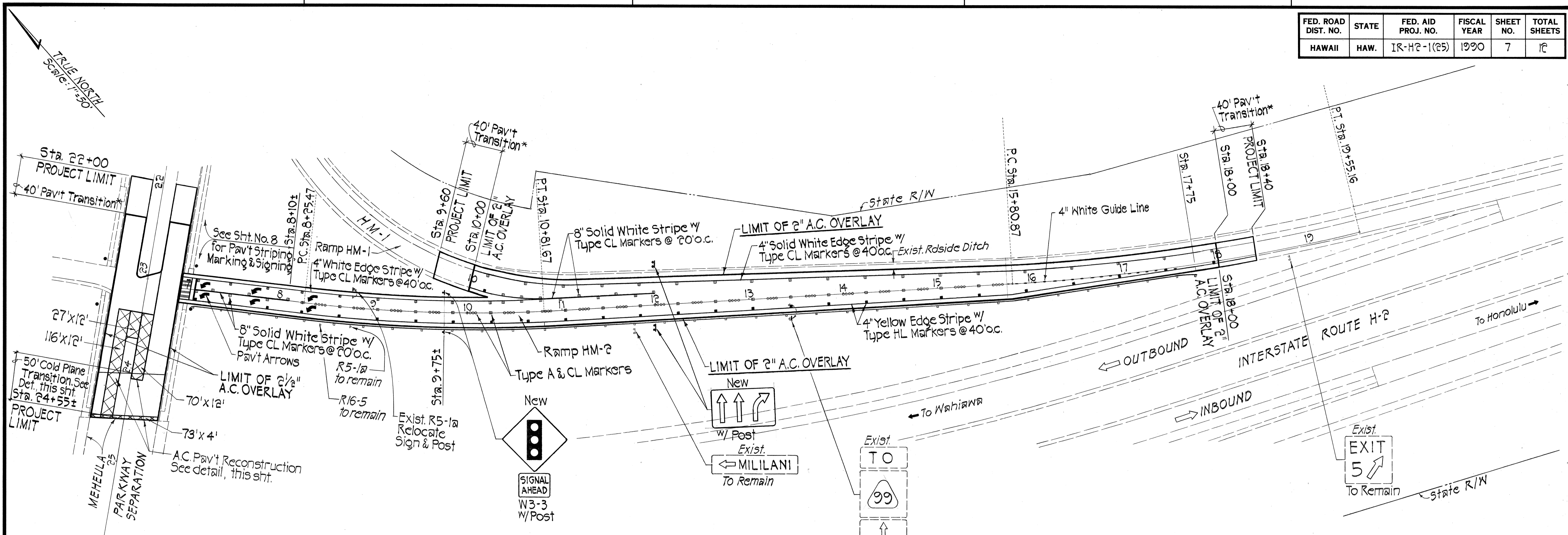
SCALE: NONE DATE: June, 1993

SHEET NO. 1 OF 1 SHEETS

C.O.6A

SURVEY PLOTTED BY	DATE
DRAWN BY	
TRACED BY	
DESIGNED BY	
CHECKED BY	
NO.	

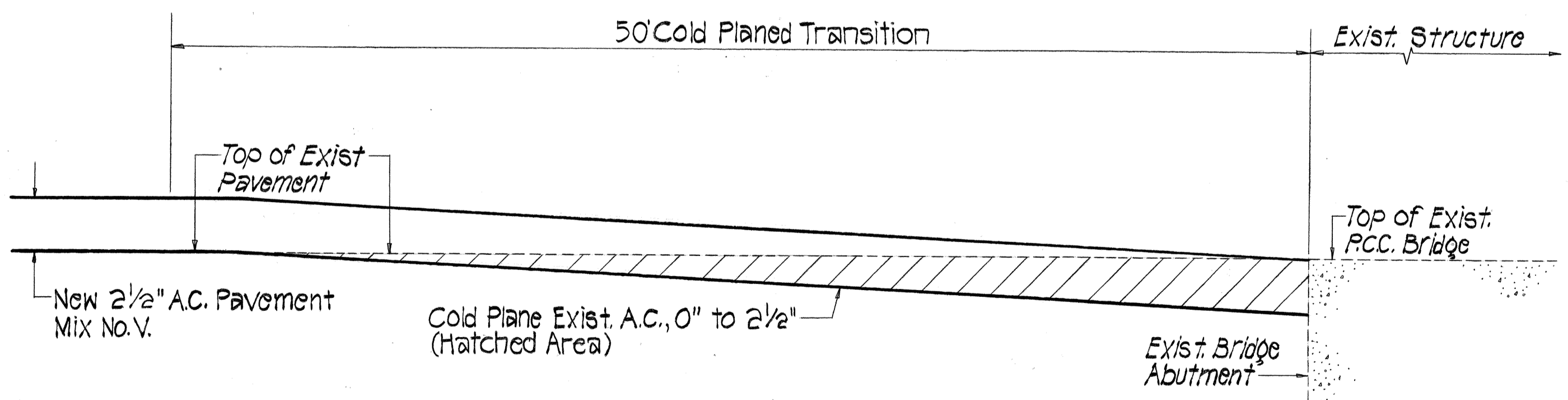
FED. ROAD DIST. NO.	STATE	FED. AID PROJ. NO.	FISCAL YEAR	SHEET NO.	TOTAL SHEETS
HAWAII	HAW.	IR-H2-1(25)	1990	7	12



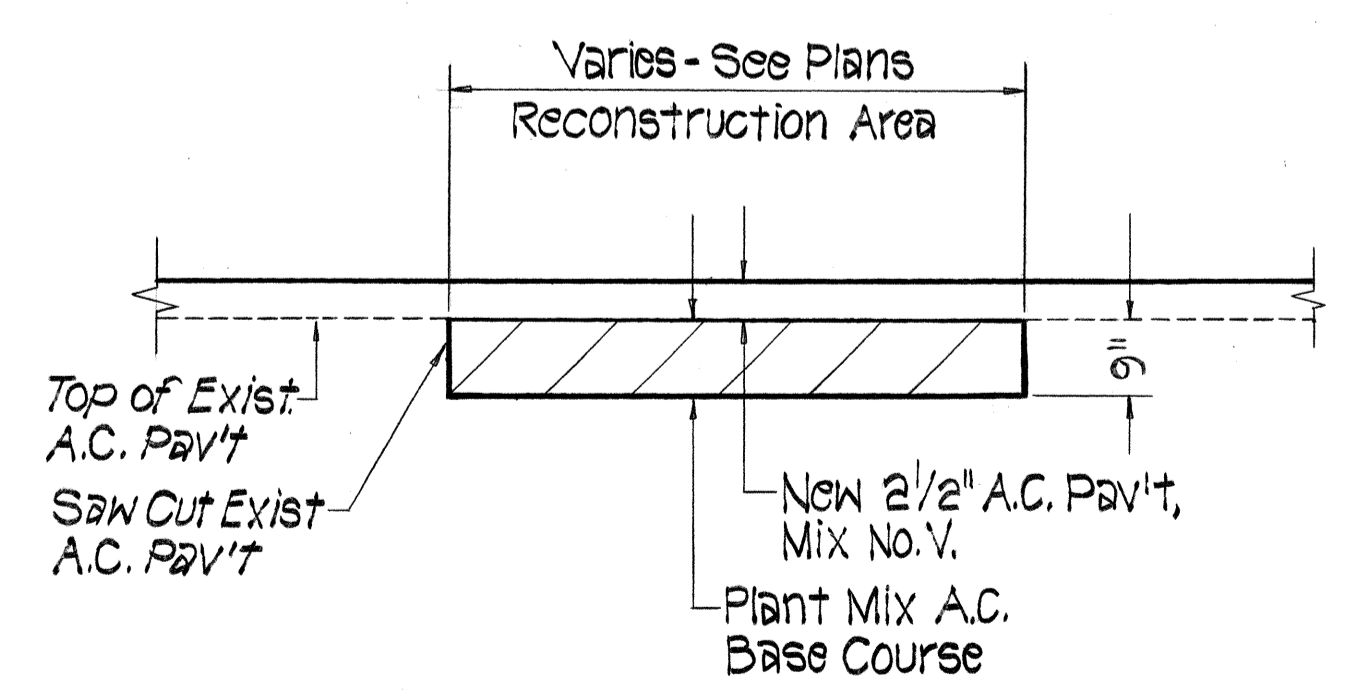
2" & 2 1/2" A.C. OVERLAY, STRIPING, MARKING & SIGNING PLAN
Scale: 1" = 50'

*40' Pavement transition shall be coordinated with Project IR-H2-1(24).

DATE	_____
SURVEY PLOTTED BY	_____
DRAWN BY	_____
TRACED BY	_____
QUANTITIES BY	_____
CHECKED BY	_____
NO.	_____



COLD PLANED TRANSITION AND RESURFACING AT EXISTING STRUCTURE DETAIL
Not to Scale



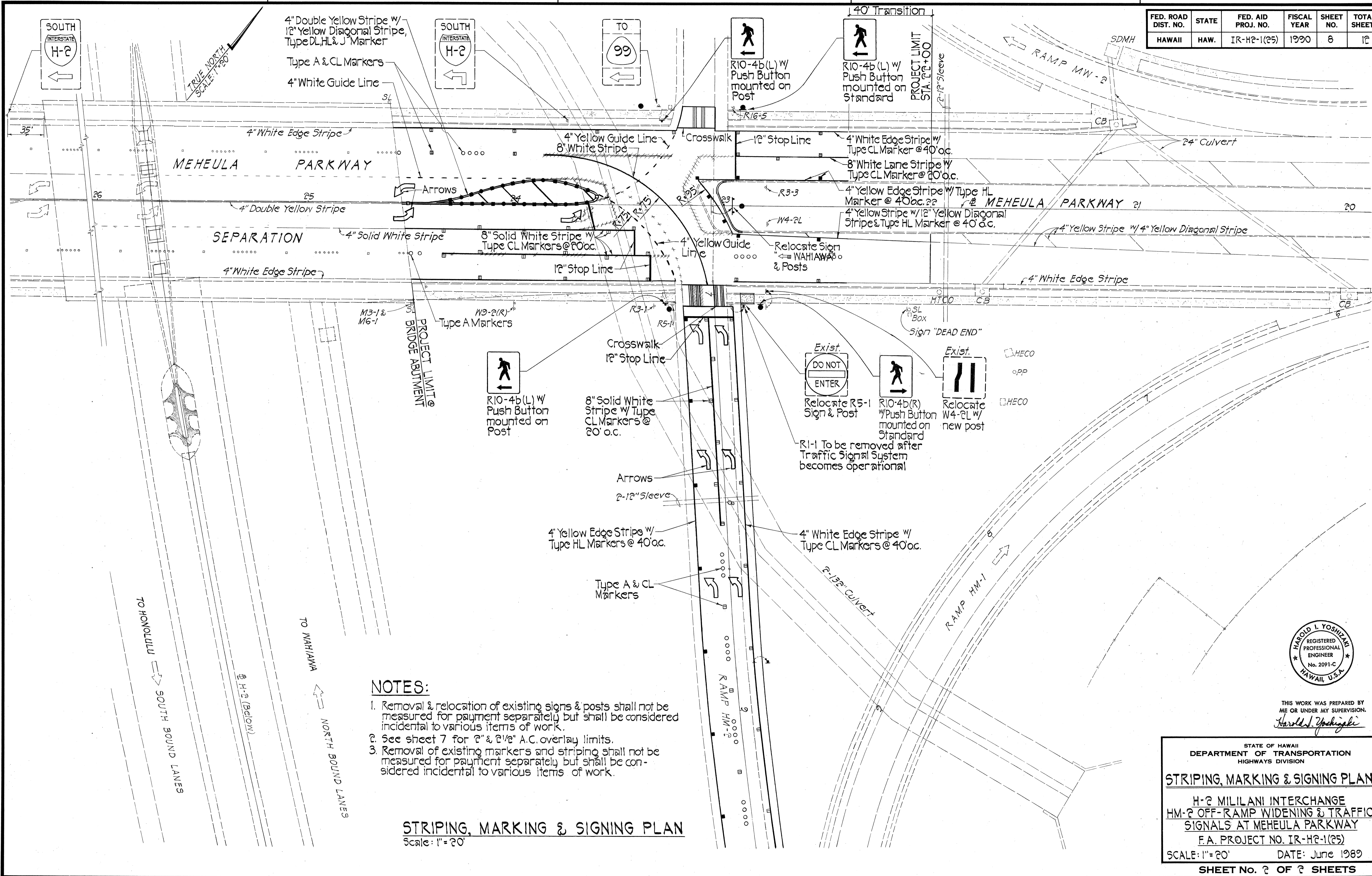
A.C. PAVEMENT RECONSTRUCTION DETAIL
Not to Scale



THIS WORK WAS PREPARED BY ME OR UNDER MY SUPERVISION.
Harold I. Yoshizaki

STATE OF HAWAII
DEPARTMENT OF TRANSPORTATION
HIGHWAYS DIVISION
2" & 2 1/2" OVERLAY, STRIPING, MARKING & SIGNING PLAN
H-2 MILILANI INTERCHANGE
HM-2 OFF-RAMP WIDENING & TRAFFIC SIGNALS AT MEHEULA PARKWAY
F.A. PROJECT NO. IR-H2-1(25)
SCALE: 1" = 50' DATE: June 1989
SHEET NO. 1 OF 2 SHEETS

FED. ROAD DIST. NO.	STATE	FED. AID PROJ. NO.	FISCAL YEAR	SHEET NO.	TOTAL SHEETS
HAWAII	HAW.	IR-H2-1(25)	1990	8	16



NOTES:

1. Removal & relocation of existing signs & posts shall not be measured for payment separately but shall be considered incidental to various items of work.
2. See sheet 7 for 2" & 2 1/2" A.C. overlay limits.
3. Removal of existing markers and striping shall not be measured for payment separately but shall be considered incidental to various items of work.

STRIPING, MARKING & SIGNING PLAN
Scale: 1" = 20'

SURVEY PLOTTED BY	DATE
DRAWN BY	
TRACED BY	
NOTE BOOK	
QUANTITIES BY	
CHECKED BY	
No.	



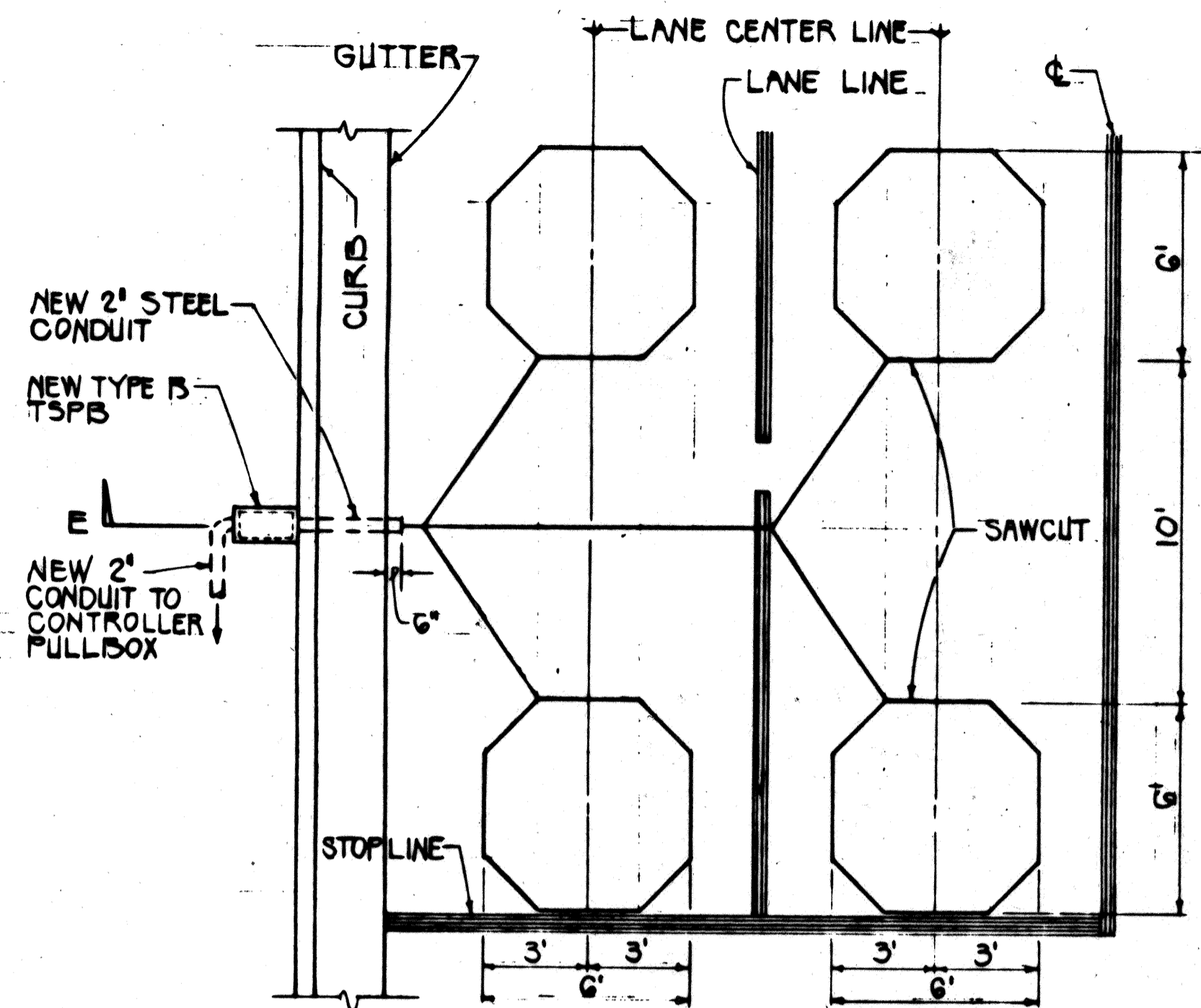
THIS WORK WAS PREPARED BY ME OR UNDER MY SUPERVISION.
Harold I. Yoshizaki

STATE OF HAWAII
DEPARTMENT OF TRANSPORTATION
HIGHWAYS DIVISION

STRIPING, MARKING & SIGNING PLAN

H-2 MILILANI INTERCHANGE
HM-2 OFF-RAMP WIDENING & TRAFFIC SIGNALS AT MEHEULA PARKWAY
F.A. PROJECT NO. IR-H2-1(25)
SCALE: 1" = 20' DATE: June 1989
SHEET No. 8 OF 8 SHEETS

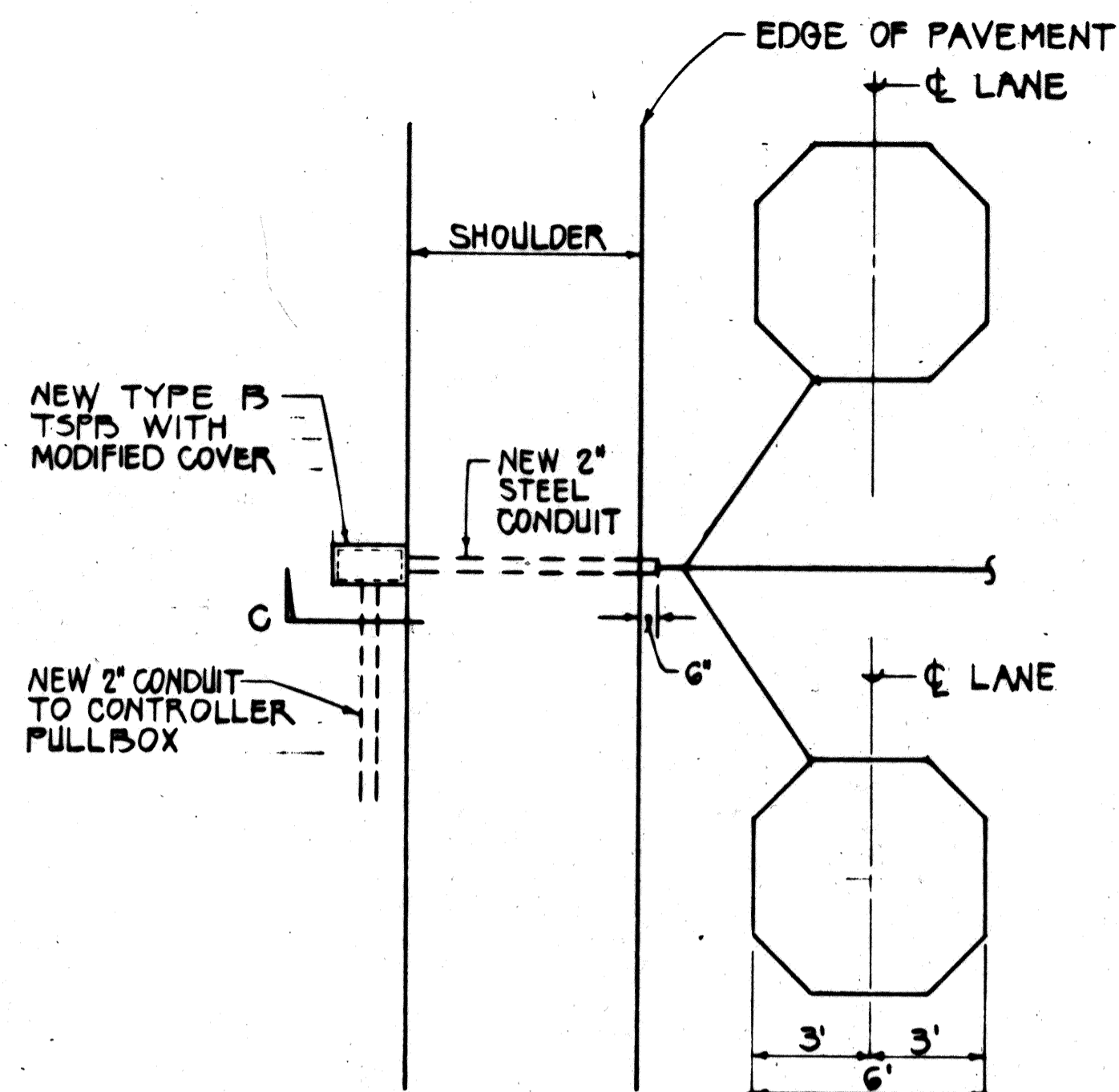
FED. ROAD DIST. NO.	STATE	FED. AID PROJ. NO.	FISCAL YEAR	SHEET NO.	TOTAL SHEETS
HAWAII	HAW.	IR-H2-1(25)	1990	9	12



NOTE: ADD ONE PAIR OF LOOPS FOR EACH ADDITIONAL LANE

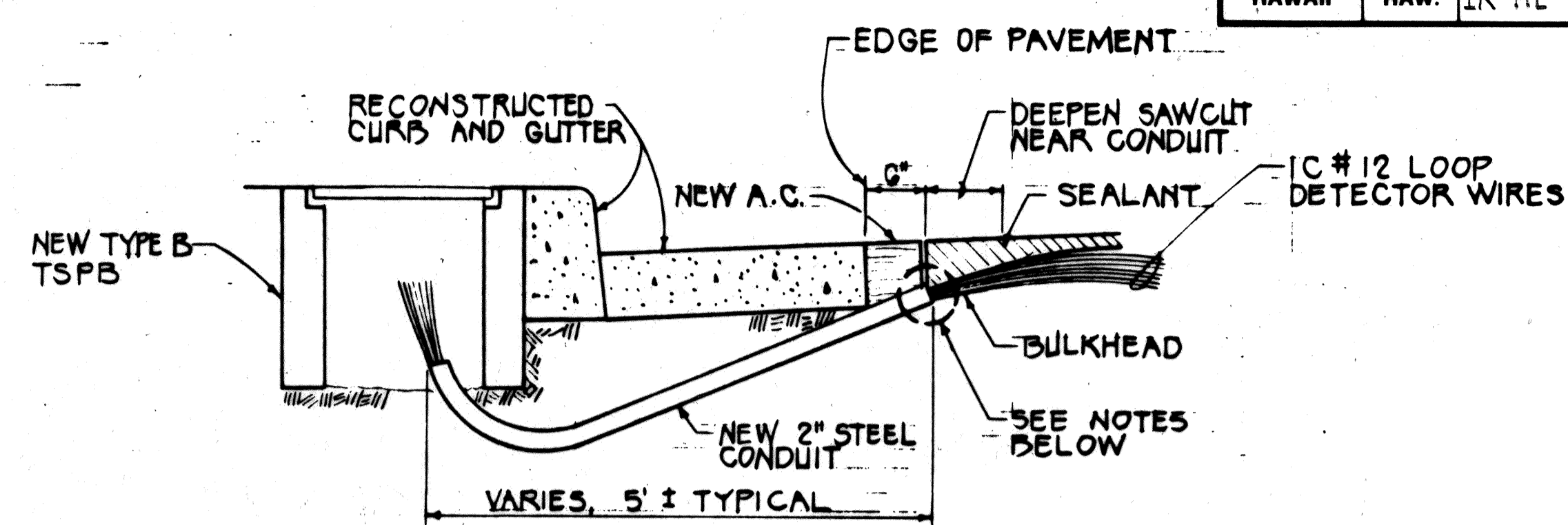
TYPICAL LAYOUT AT STOPLINES

SCALE: 1/4" = 1'-0"



TYPICAL LAYOUT AT SHOULDER AREAS

SCALE: 1/4" = 1'-0"

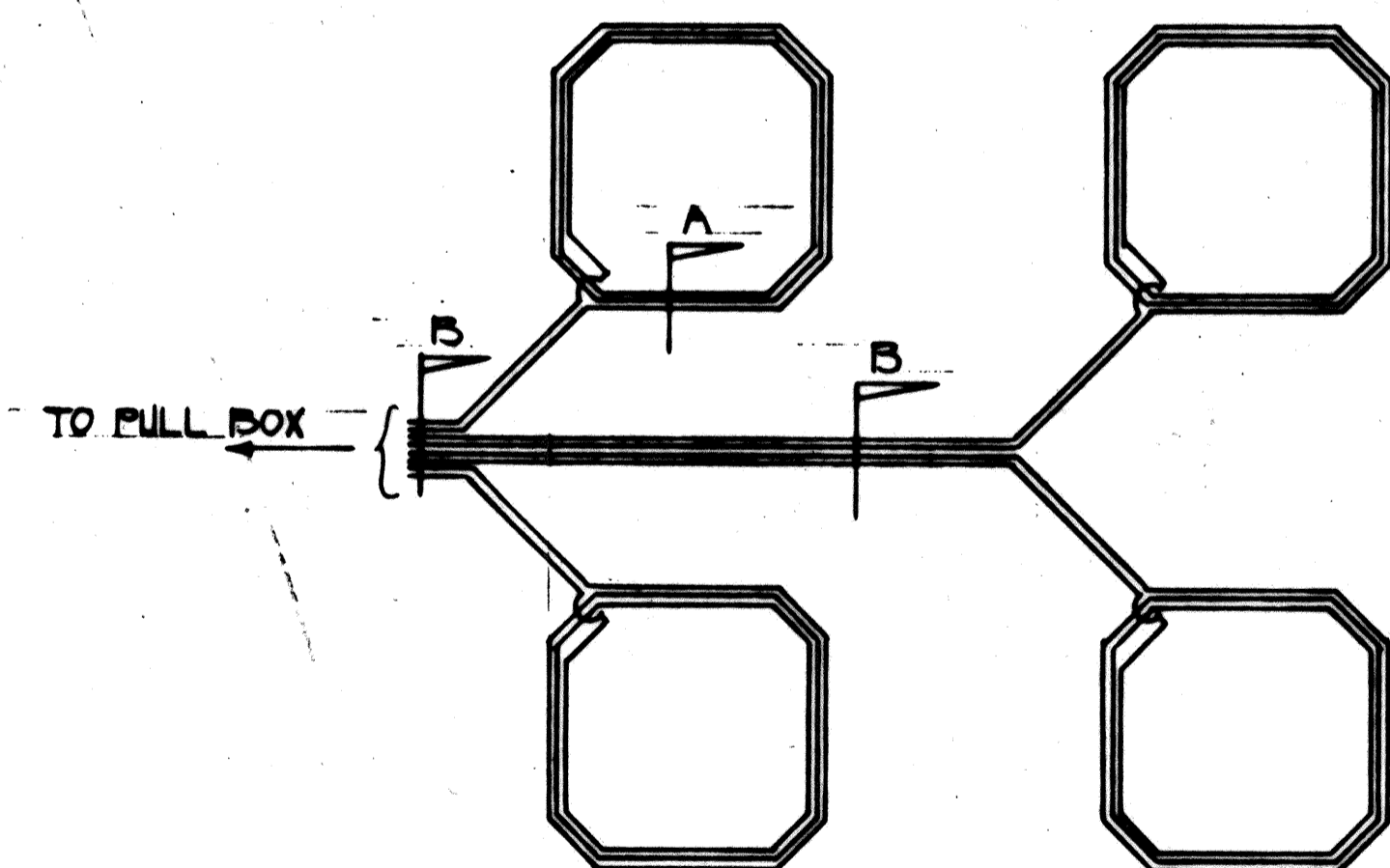


NOTES:

1. SEAL ROADWAY END OF CONDUIT AFTER INSTALLATION OF CONDUCTORS.
2. INSTALL BULKHEAD ACROSS CONDUIT TRENCH.
3. PLACE APPROVED SEALANT IN SAWCUT.
4. BACKFILL OVER CONDUIT WITH NEW A.C.
5. RECONSTRUCT CURB AND GUTTER AS REQUIRED.

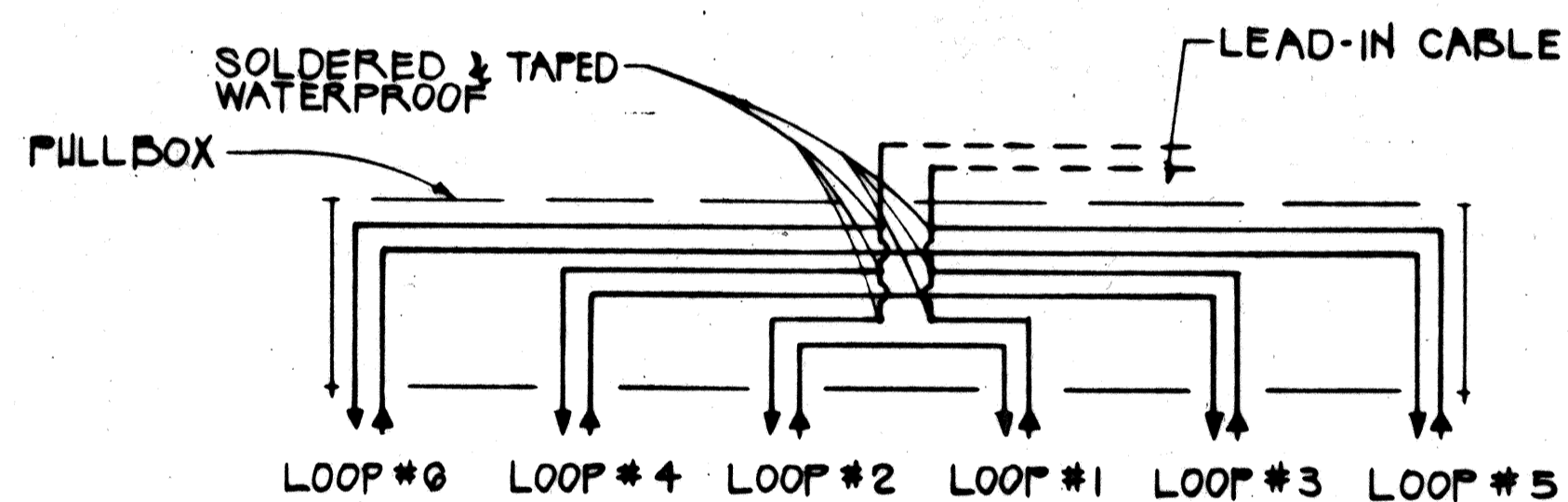
SECTION E

NOT TO SCALE



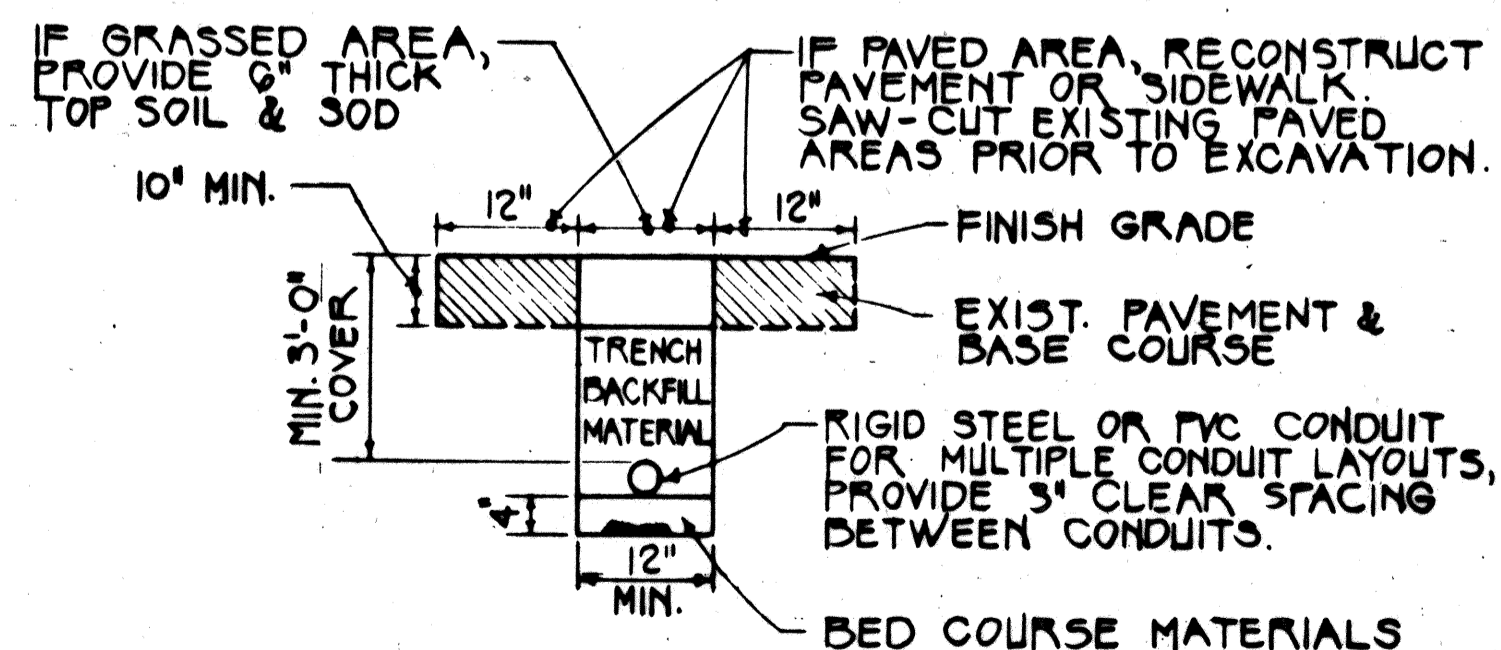
WIRING DIAGRAM

NOT TO SCALE



DETAIL "A"

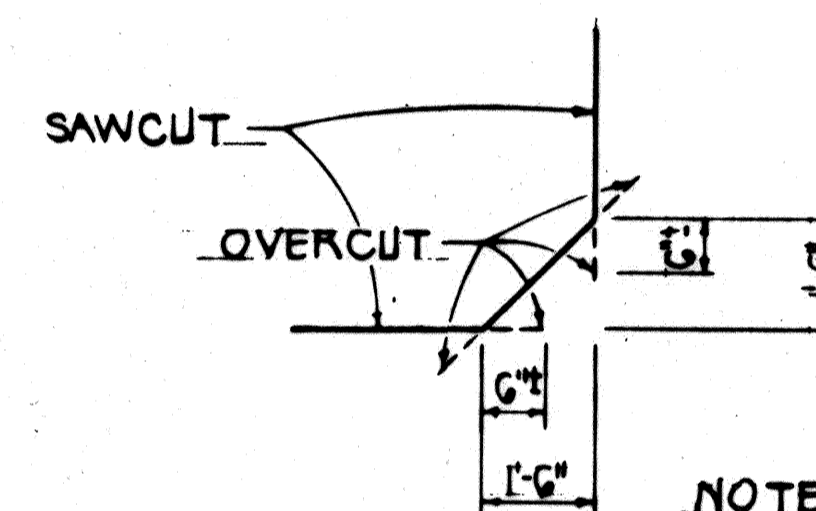
TYPICAL SERIES - PARALLEL LOOP CONNECTION



SECTION C

NOT TO SCALE

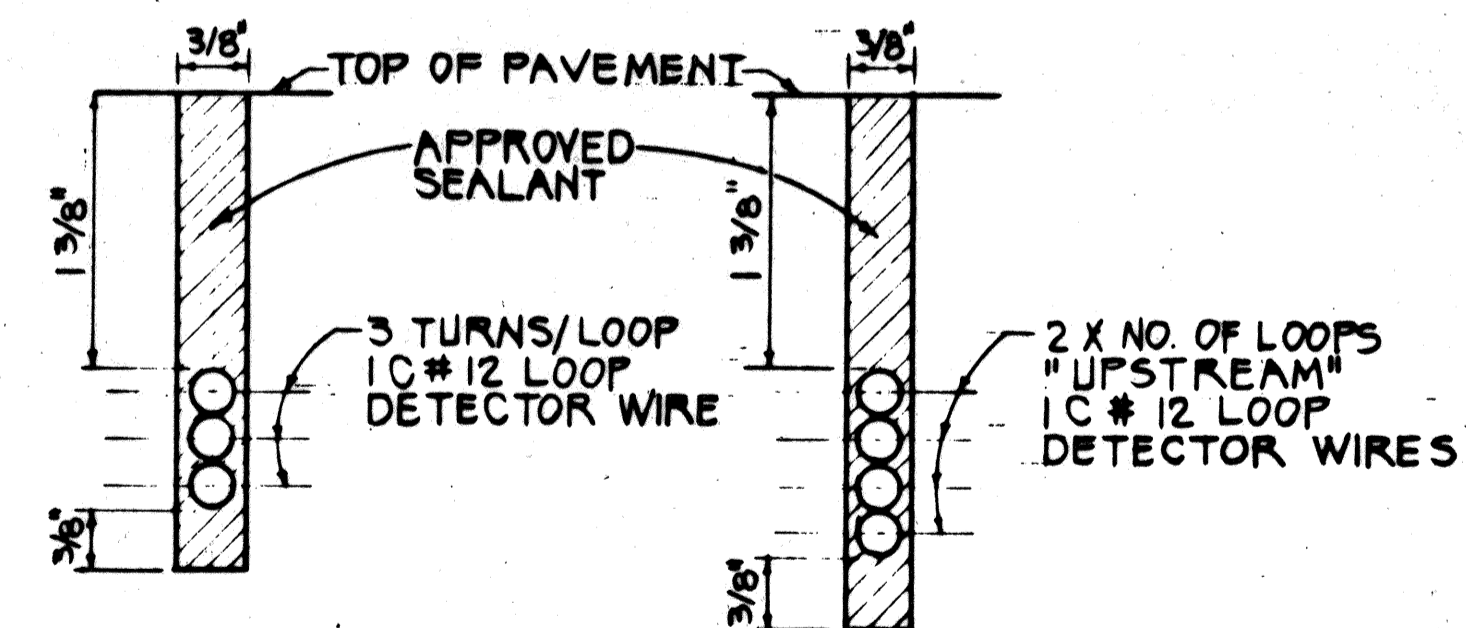
NOTE: ALL CONDUITS UNDER ROADWAYS SHALL BE STEEL OR PVC SCHEDULE 80.



NOTE: BACKFILL OVERCUTS WITH EPOXY.

DETAIL OF SAWCUT AT CORNERS

NOT TO SCALE

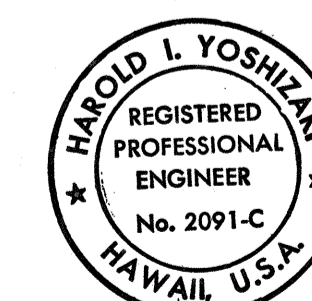


SECTION A

NOT TO SCALE

SECTION B

NOT TO SCALE



THIS WORK WAS PREPARED BY ME OR UNDER MY SUPERVISION.
Harold I. Yoshizaki

STATE OF HAWAII
DEPARTMENT OF TRANSPORTATION
HIGHWAYS DIVISION

LOOP DETECTOR DETAILS

H-2 MILILANI INTERCHANGE
HM-2 OFF-RAMP WIDENING & TRAFFIC SIGNALS AT MEHEULA PARKWAY
F.A. PROJECT NO. IR-H2-1(25)
SCALE: AS NOTED DATE: June 1989

SHEET NO. 1 OF 1 SHEETS

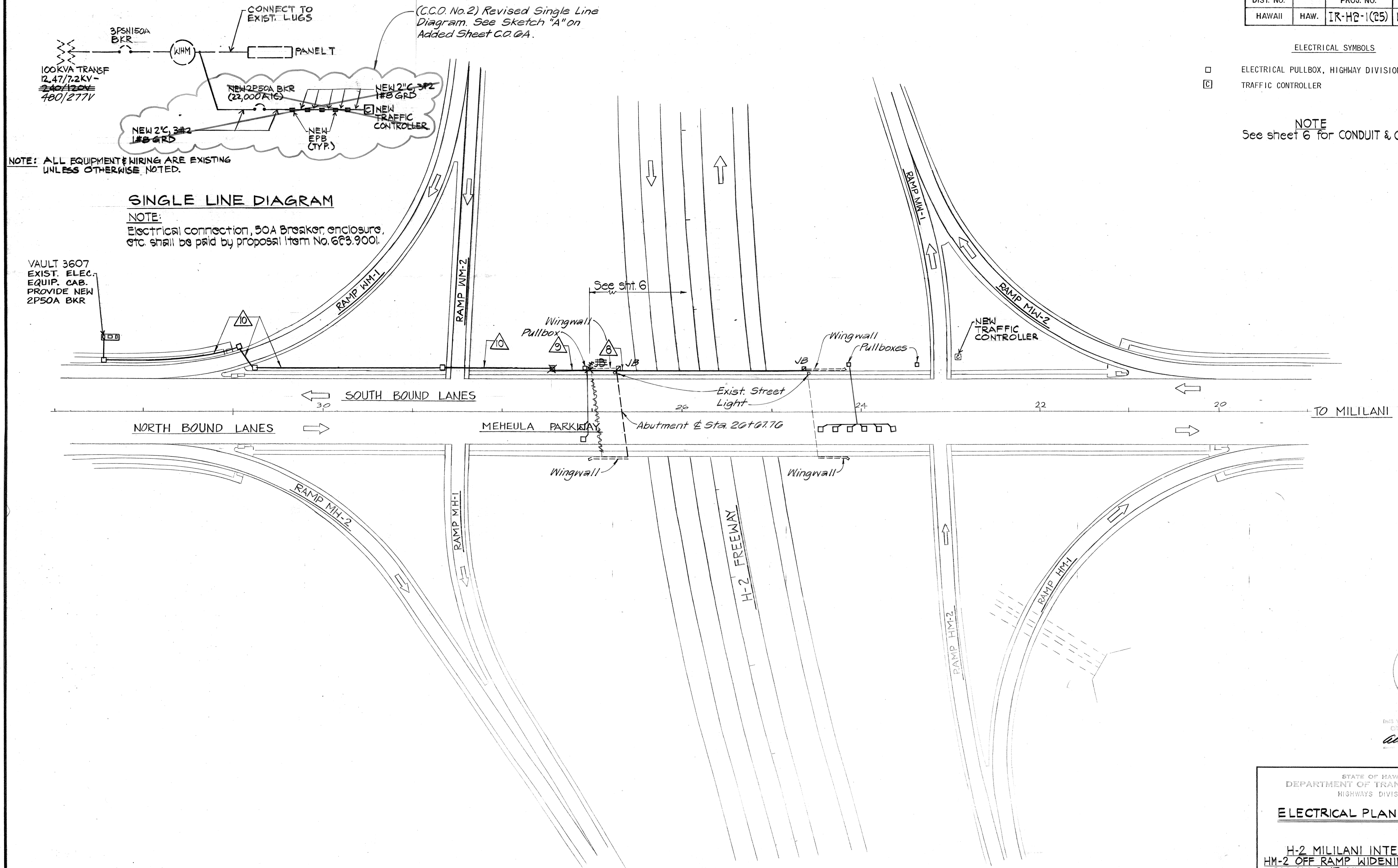
DATE	
SURVEY PLOTTED BY	
DESIGNED BY	
QUANTITIES BY	
CHECKED BY	
NO.	

FED. ROAD DIST. NO.	STATE	FED. AID PROJ. NO.	FISCAL YEAR	SHEET NO.	TOTAL SHEETS
HAWAII	HAW.	IR-H2-1(25)	1990	10	16

ELECTRICAL SYMBOLS

- ELECTRICAL PULLBOX, HIGHWAY DIVISION TYPE 'B', 19"X28"
- ⊞ TRAFFIC CONTROLLER

NOTE
See sheet 6 for CONDUIT & CABLE SCHEDULE.



NOTE: ALL EQUIPMENT & WIRING ARE EXISTING UNLESS OTHERWISE NOTED.

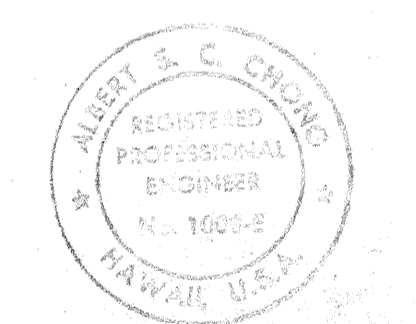
SINGLE LINE DIAGRAM

NOTE:
Electrical connection, 50A Breaker enclosure, etc. shall be paid by proposal item No. 623,900.

VAULT 3607
EXIST. ELEC. EQUIP. CAB. PROVIDE NEW 2P50A BKR

ELECTRICAL PLAN

DATE	BY
DESIGNED BY	DATE
DRAWN BY	BY
CHECKED BY	DATE
APPROVED BY	BY
REVISIONS	



THIS WORK WAS PREPARED BY ME OR UNDER MY SUPERVISION
Albert S. Chung

STATE OF HAWAII
DEPARTMENT OF TRANSPORTATION
HIGHWAYS DIVISION

ELECTRICAL PLAN & DETAILS

H-2 MILILANI INTERCHANGE
HM-2 OFF RAMP WIDENING & TRAFFIC SIGNALS AT MEHEULA PARKWAY
F.A. PROJECT NO. IR-H2-1(25)
SCALE: 1"=50' DATE: JULY 1989

SHEET No. | OF | SHEETS