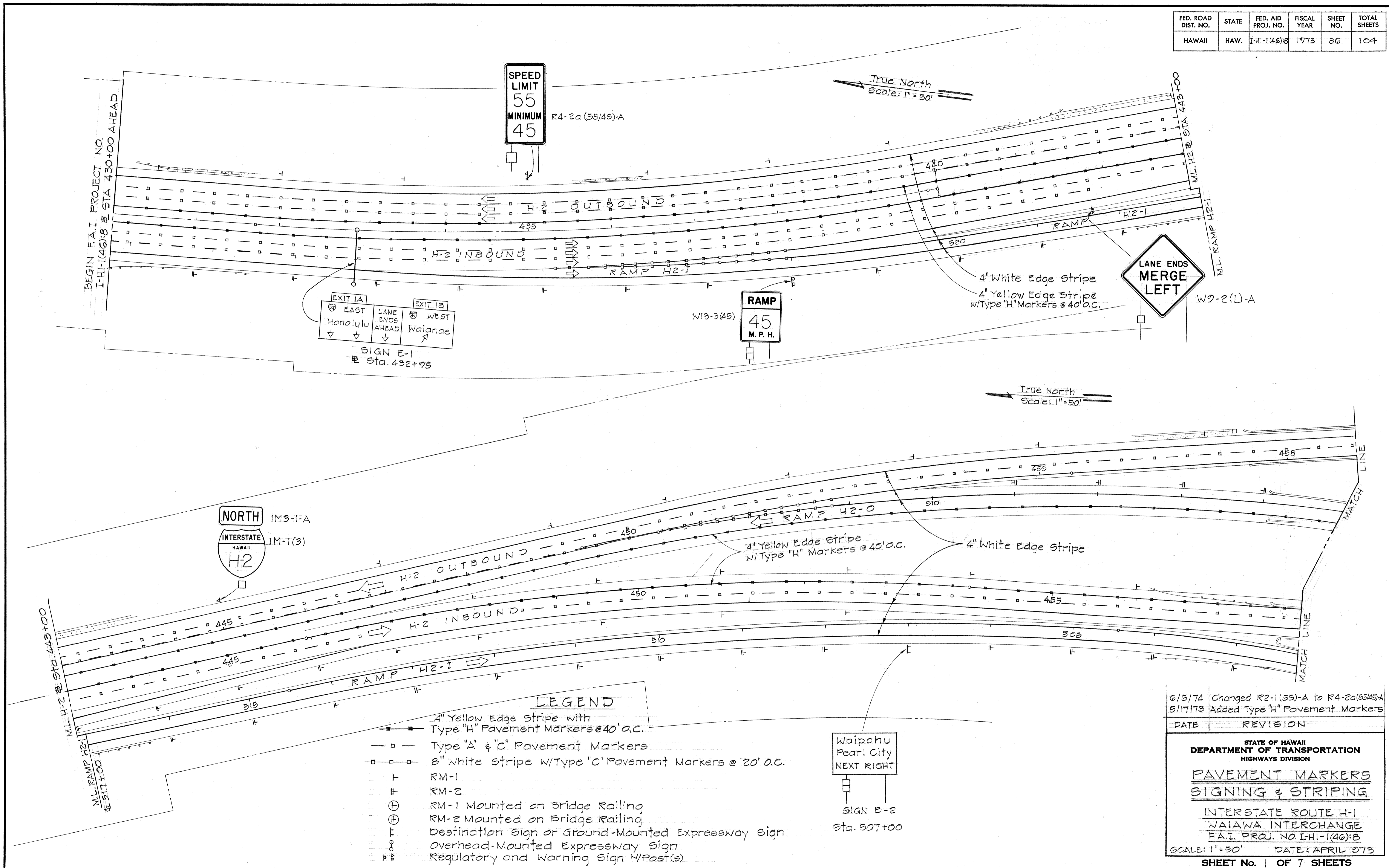


FED. ROAD DIST. NO.	STATE	FED. AID PROJ. NO.	FISCAL YEAR	SHEET NO.	TOTAL SHEETS
HAWAII	HAW.	IHI-1(46):8	1973	36	104



BEGIN F.A.I. PROJECT NO. IHI-1(46):8 STA 430+00 AHEAD

SPEED LIMIT 55
MINIMUM 45
R4-2a (55/45)-A

EXIT 1A EAST Honolulu
EXIT 1B WEST Waianae
LANE ENDS AHEAD
SIGN E-1
Sta. 432+75

RAMP 45 M.P.H.
W13-3(45)

LANE ENDS MERGE LEFT
W9-2(L)-A

NORTH IM3-1-A
INTERSTATE HAWAII H2 IM-1(3)

LEGEND

- □ — 4" Yellow Edge Stripe with Type "H" Pavement Markers @ 40' a.c.
- □ — 4" White Edge Stripe
- □ — 8" White Stripe w/Type "C" Pavement Markers @ 20' a.c.
- ⊥ RM-1
- ⊥ RM-2
- ⊕ RM-1 Mounted on Bridge Railing
- ⊕ RM-2 Mounted on Bridge Railing
- ⊕ Destination Sign or Ground-Mounted Expressway Sign
- ⊕ Overhead-Mounted Expressway Sign
- ⊕ Regulatory and Warning Sign w/Post(s)

Waipahu Pearl City NEXT RIGHT
SIGN E-2
Sta. 507+00

DATE	REVISION
6/5/74	Changed R2-1(55)-A to R4-2a(55/45)-A
5/17/73	Added Type "H" Pavement Markers

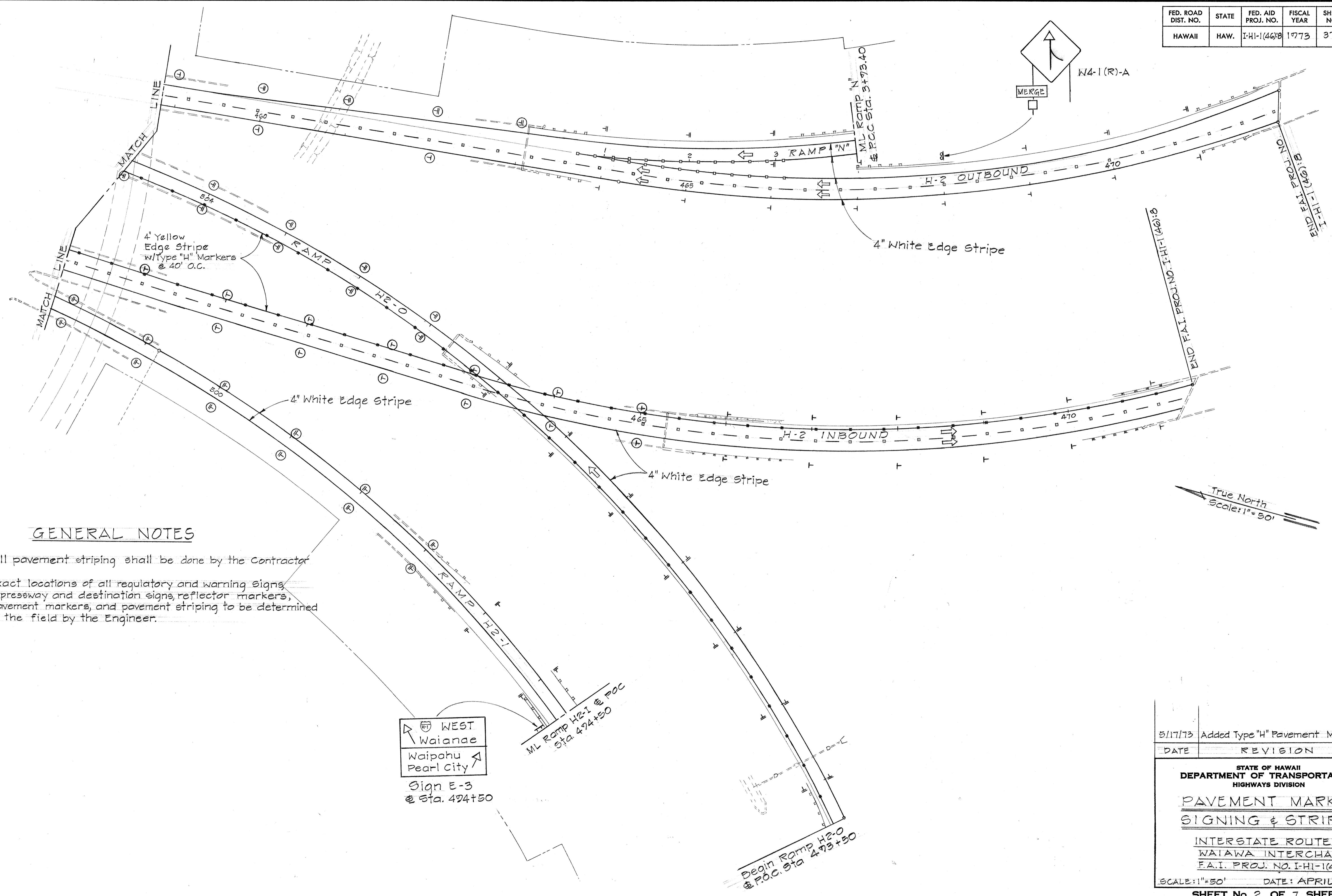
STATE OF HAWAII
DEPARTMENT OF TRANSPORTATION
HIGHWAYS DIVISION

**PAVEMENT MARKERS
SIGNING & STRIPING**

INTERSTATE ROUTE H-1
WAIAWA INTERCHANGE
F.A.I. PROJ. NO. IHI-1(46):8
SCALE: 1"=50' DATE: APRIL 1973
SHEET No. 1 OF 7 SHEETS

SURVEY PLOTTED BY	DATE
DESIGNED BY	
NOTE BOOK	
QUANTITIES BY	
CHECKED BY	

FED. ROAD DIST. NO.	STATE	FED. AID PROJ. NO.	FISCAL YEAR	SHEET NO.	TOTAL SHEETS
HAWAII	HAW.	I-HI-1(46)B	1973	37	104



GENERAL NOTES

1. All pavement striping shall be done by the Contractor
2. Exact locations of all regulatory and warning signs, expressway and destination signs, reflector markers, pavement markers, and pavement striping to be determined in the field by the Engineer.

WEST Waianae
 Waipahu Pearl City
 Sign E-3
 @ Sta. 494+50

ML RAMP H2-1 @ P.O.C. Sta. 494+50

Begin Ramp H2-0 @ P.O.C. Sta. 473+50

5/17/73 Added Type "H" Pavement Markers

DATE	REVISION

STATE OF HAWAII
 DEPARTMENT OF TRANSPORTATION
 HIGHWAYS DIVISION

**PAVEMENT MARKERS
 SIGNING & STRIPING**

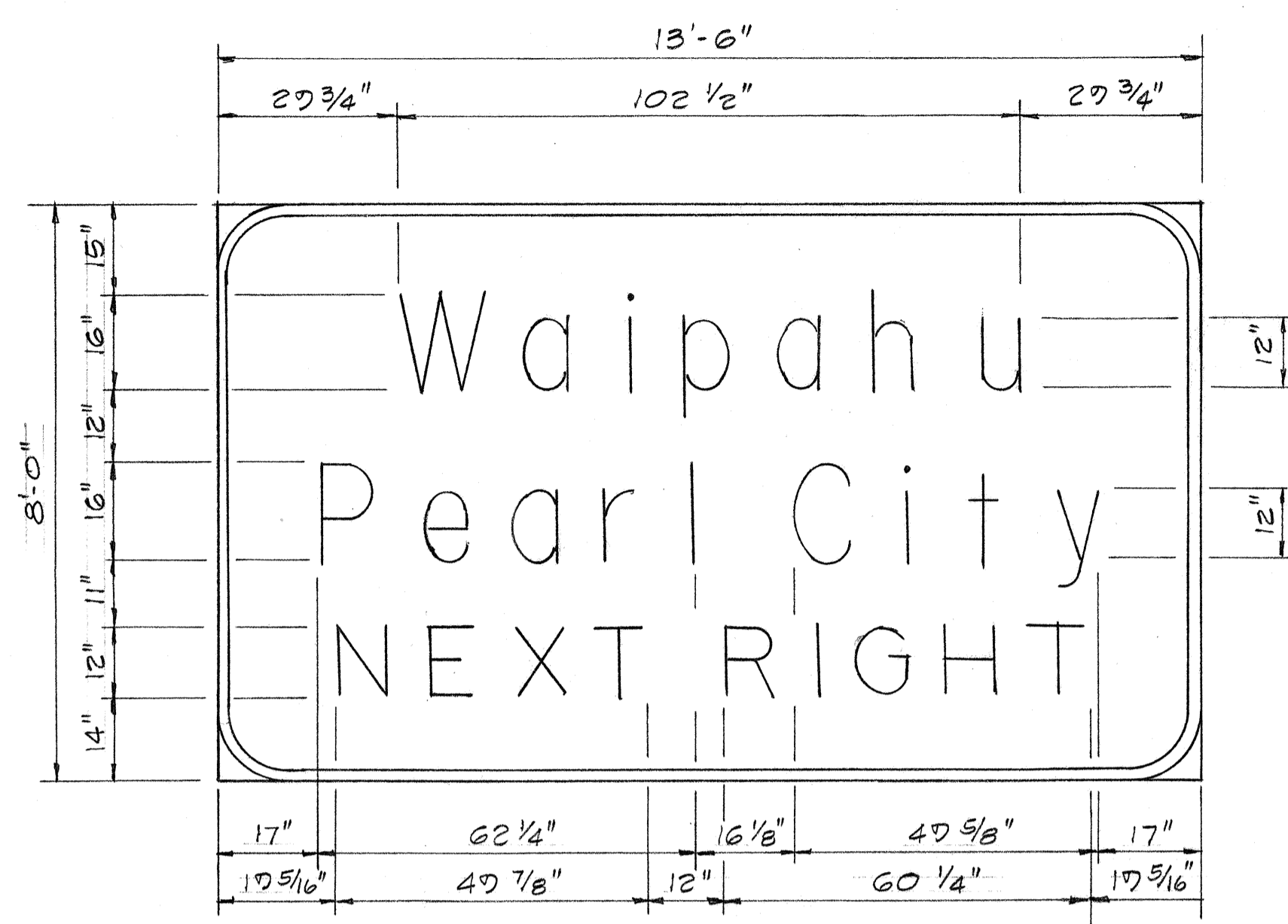
INTERSTATE ROUTE H-1
 WAIAWA INTERCHANGE
 F.A.I. PROJ. NO. I-HI-1(46)B

SCALE: 1"=50' DATE: APRIL 1973

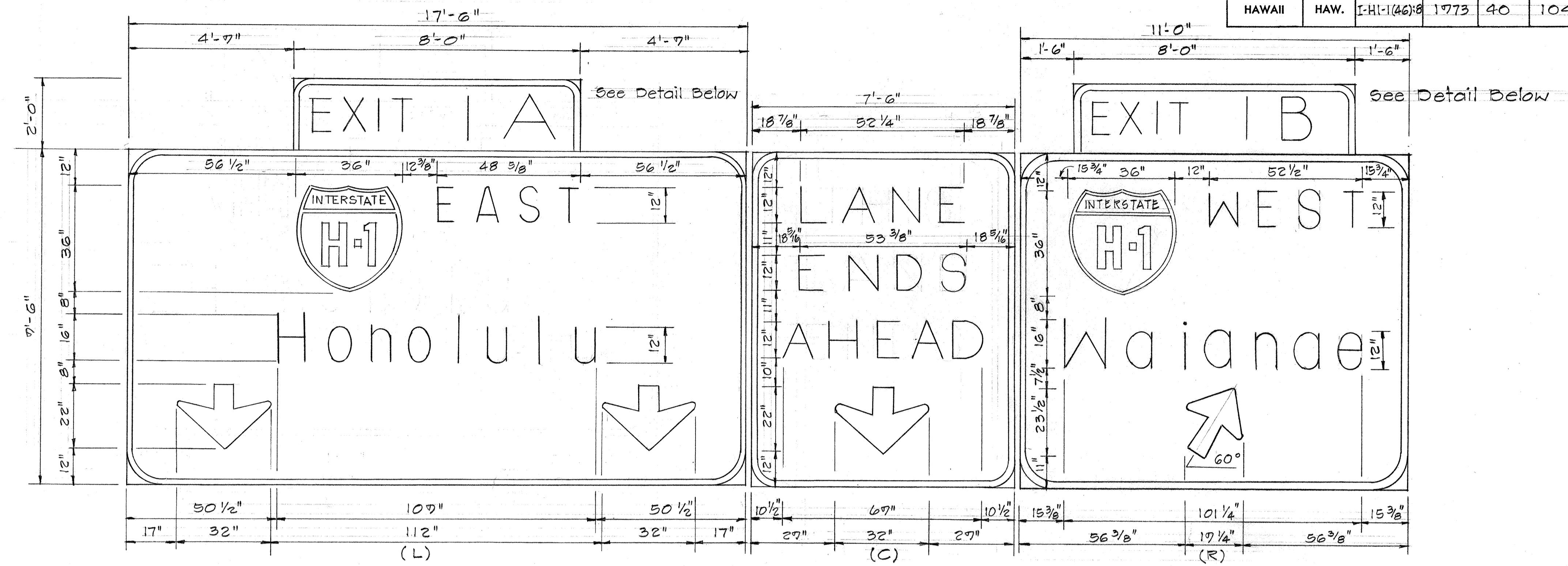
SHEET No. 2 OF 7 SHEETS

SURVEY PLOTTED BY	DATE
DRAWN BY	
DESIGNED BY	
QUANTITIES BY	
CHECKED BY	
ORIGINAL PLAN	
NOTE BOOK	
NO.	

FED. ROAD DIST. NO.	STATE	FED. AID PROJ. NO.	FISCAL YEAR	SHEET NO.	TOTAL SHEETS
HAWAII	HAW.	I-HI-1(46):8	1973	40	104

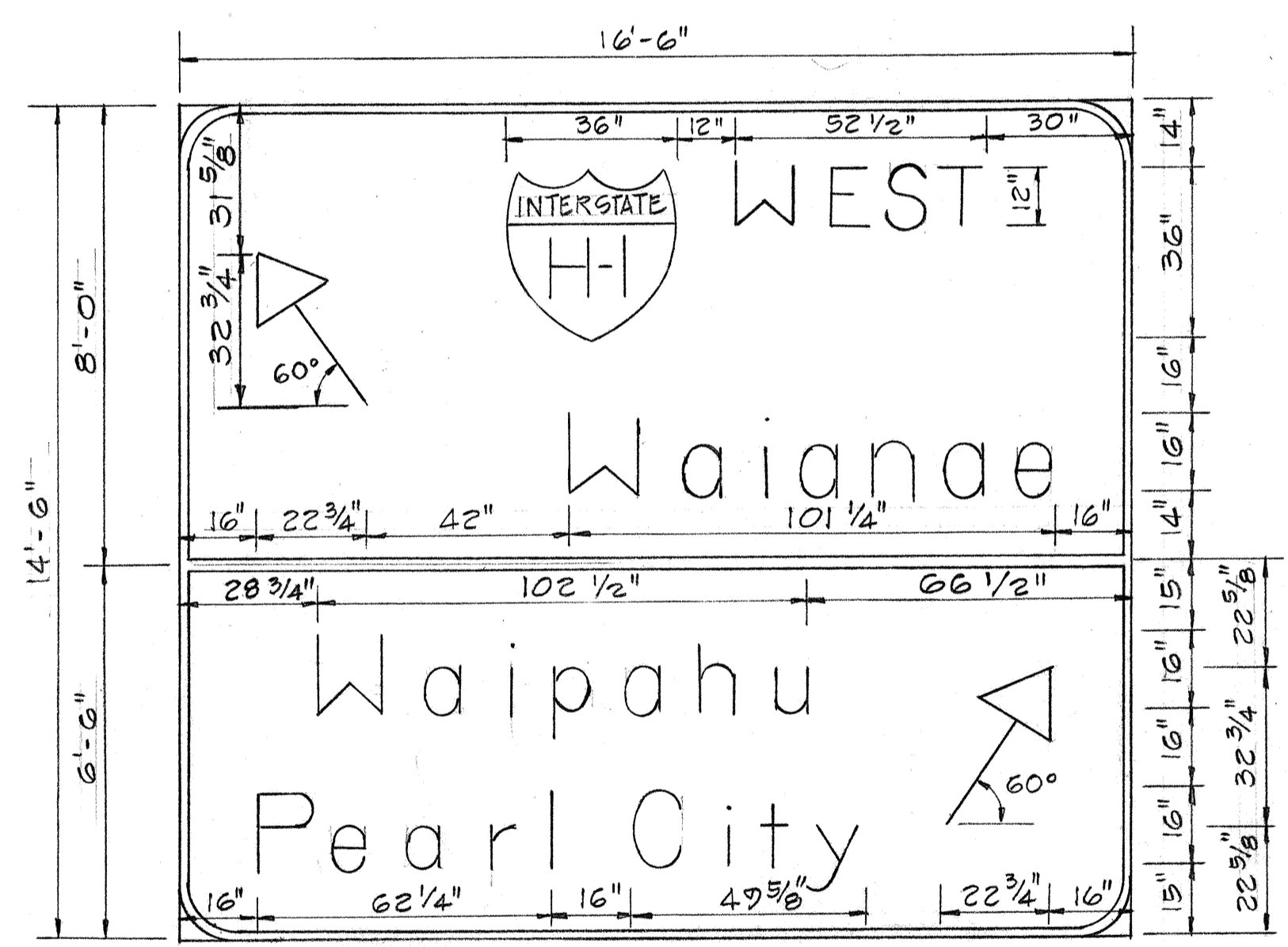


SIGN E-2
1/2" = 1'-0"

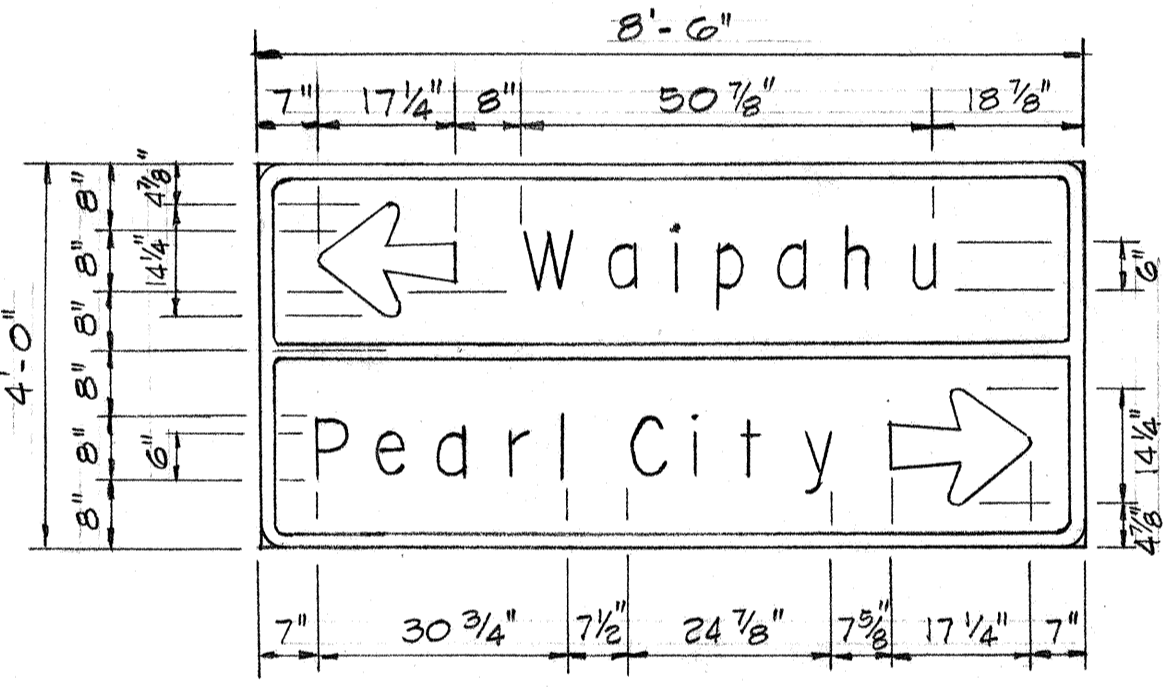


SIGN E-1
1/2" = 1'-0"

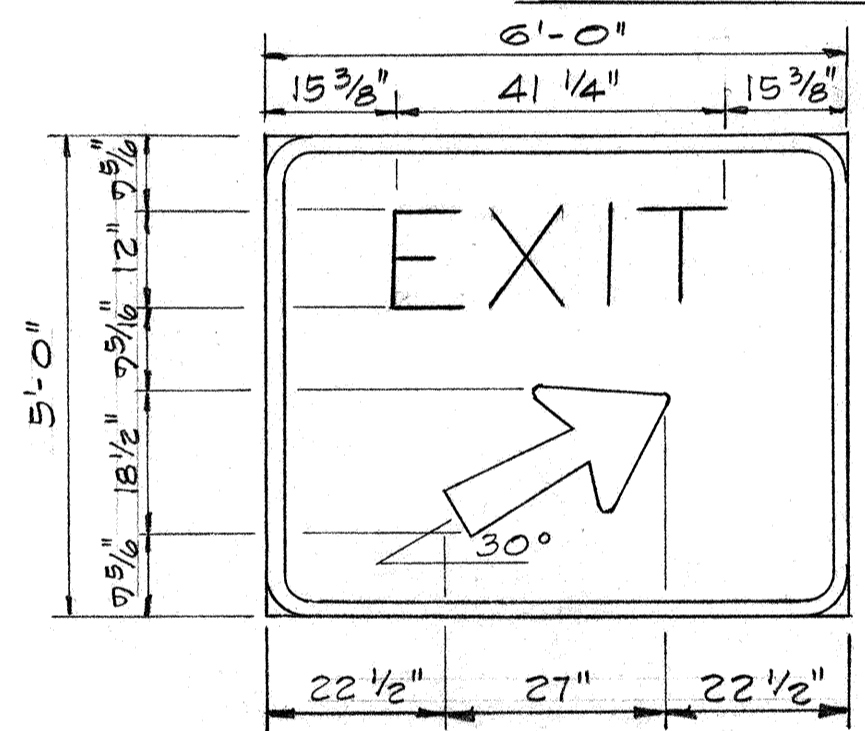
EXPRESSWAY SIGN SUMMARY					
SIGN NO.	DESCRIPTION	EXIT PANEL		AREA (SQ. FT.)	
		SIZE	MILE	SIGN	EXIT PANEL
E-1(L)	Honolulu	2'x8'	1A	166.25	16.00
(C)	Lane Ends Ahead			71.25	
(R)	Waianae	2'x8'	1B	104.50	16.00
E-2	Waipahu Pearl City Next Right			108.00	
E-3	Waianae Waipahu, Pearl City			239.25	
TOTAL				721.25	



SIGN E-3
3/8" = 1'-0"

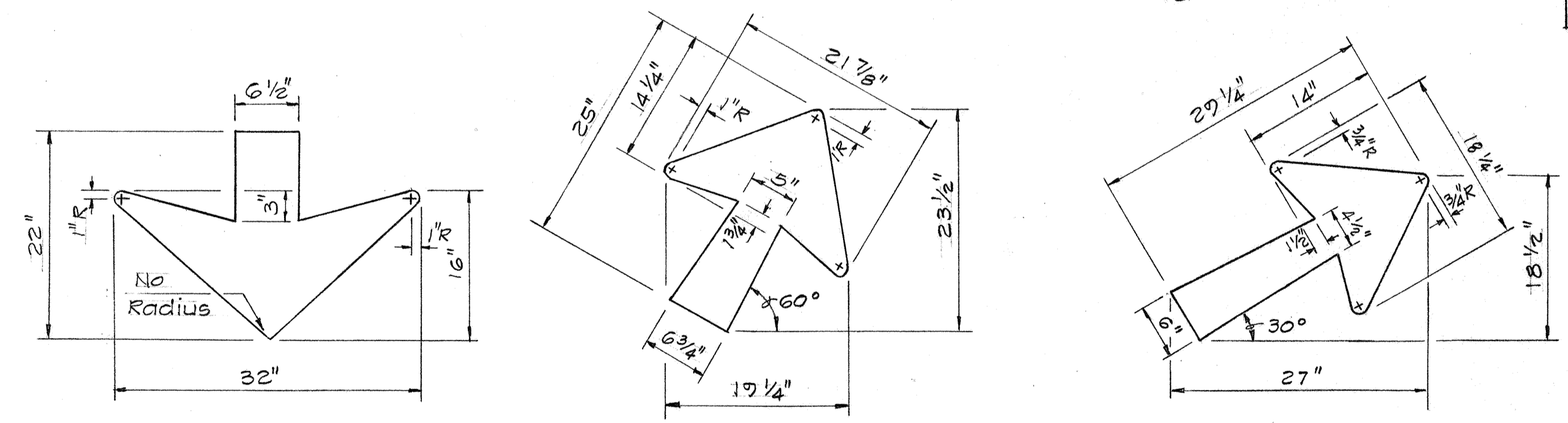


SIGN D-1
1/2" = 1'-0"

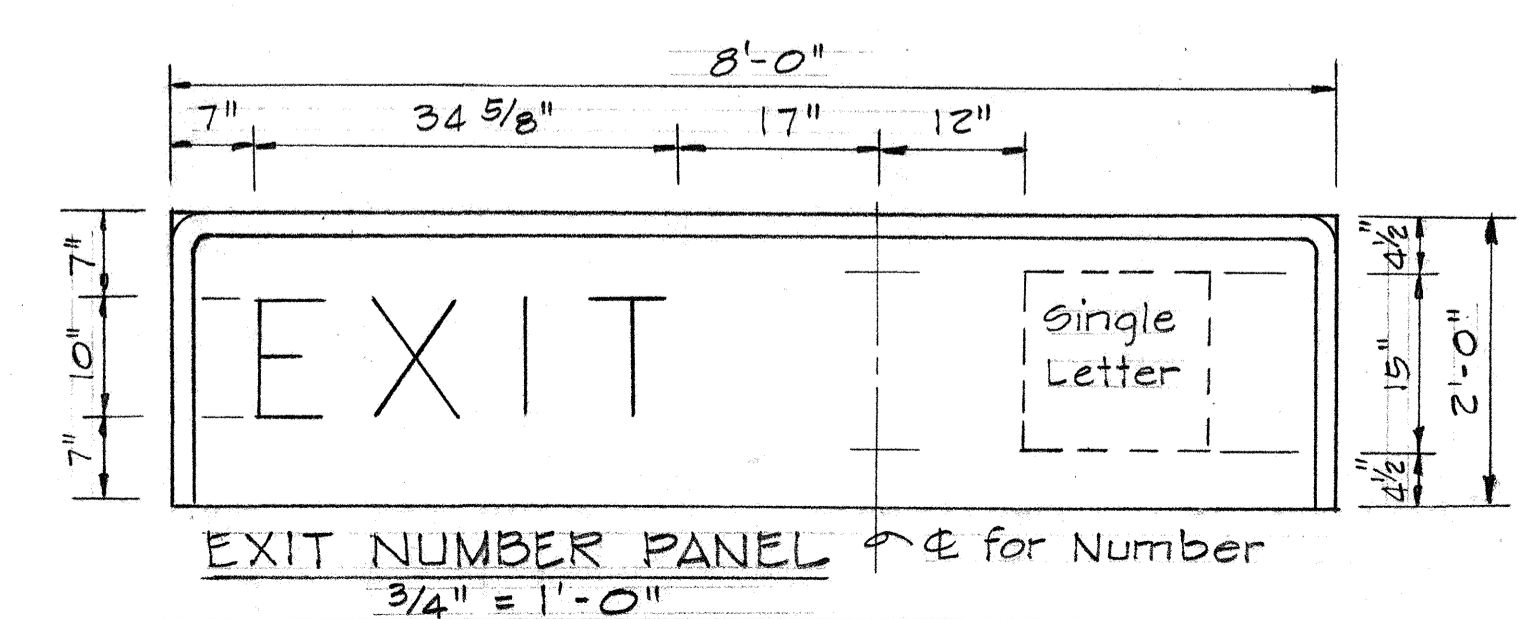


SIGN D-2
1/2" = 1'-0"

DESTINATION SIGN SUMMARY		
SIGN NO.	DESCRIPTION	TOTAL AREA(SQ.FT.)
D-1	Waipahu, Pearl City	34.00
D-2	Exit	30.00
TOTAL		64.00



TYPICAL ARROW DETAILS
SCALE: 1" = 1'-0"



EXIT NUMBER PANEL P & Q for Number
3/4" = 1'-0"

STATE OF HAWAII
DEPARTMENT OF TRANSPORTATION
HIGHWAYS DIVISION

PANEL LAYOUT

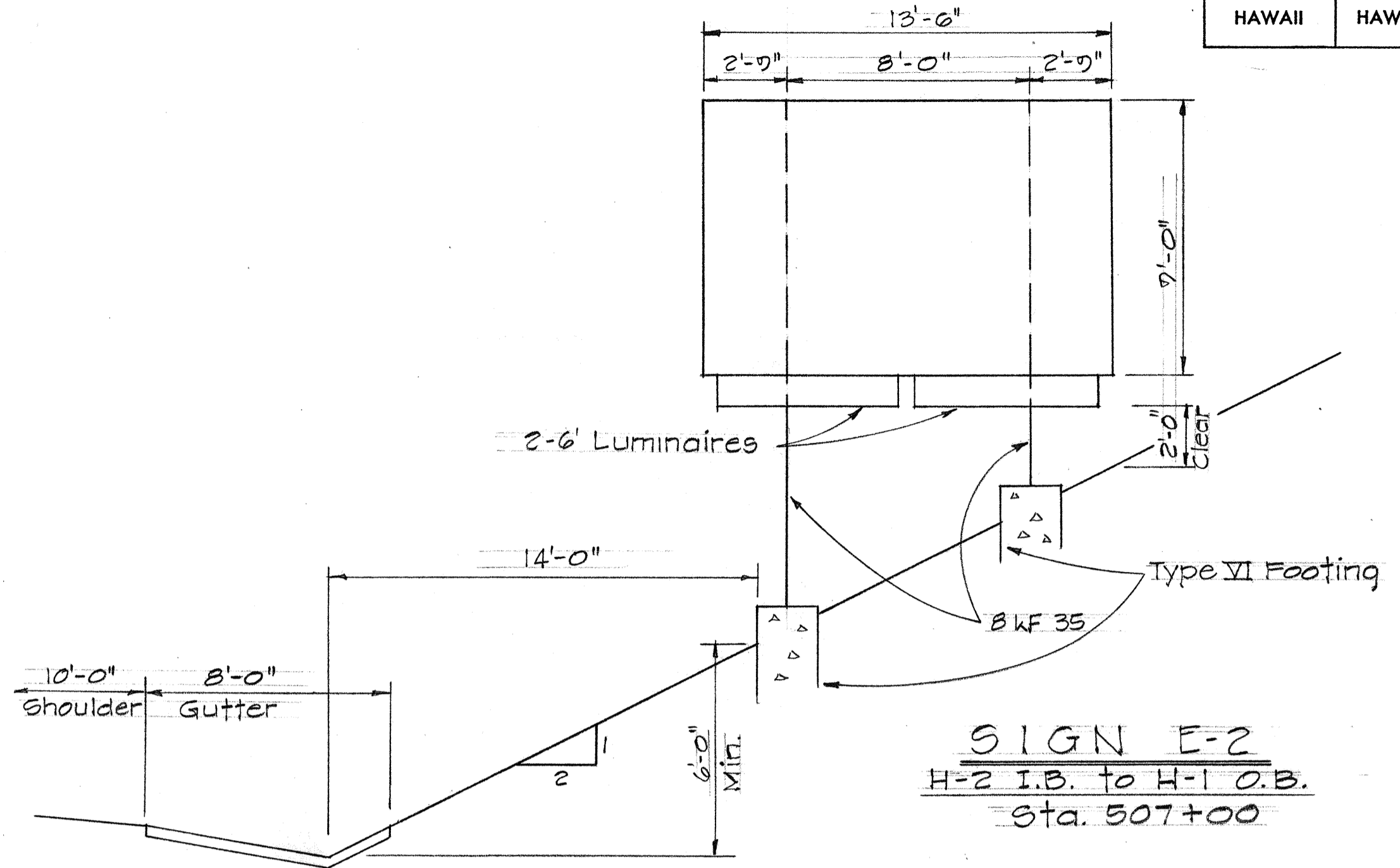
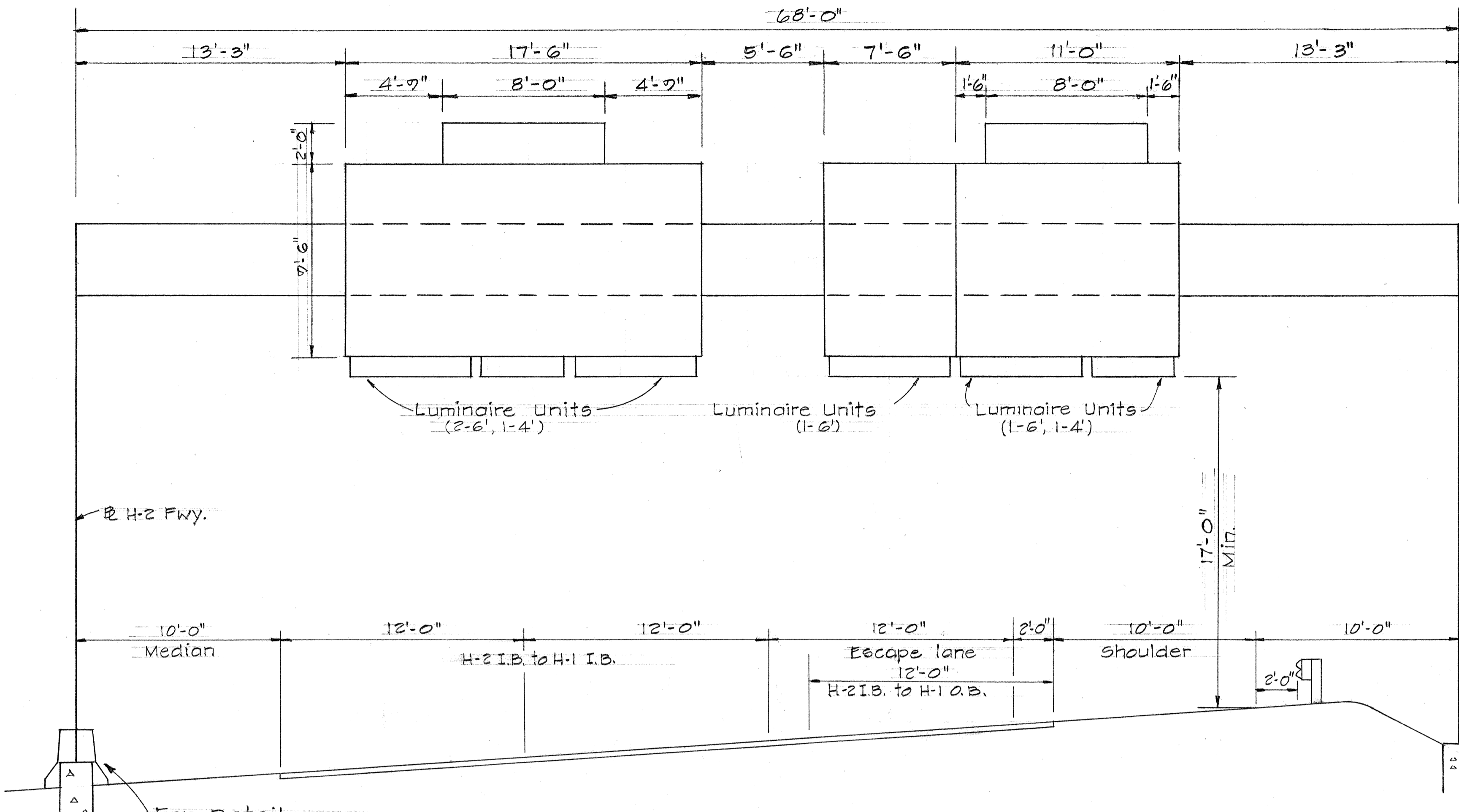
INTERSTATE ROUTE H-1
WAIAWA INTERCHANGE
F.A.I. PROJ. NO. I-HI-1(46):8

SCALE: AS SHOWN DATE: APRIL 1973

SHEET No. 5 OF 7 SHEETS

DATE: _____
SURVEY PLOTTED BY: _____
DRAWN BY: _____
DESIGNED BY: _____
NOTED BY: _____
CHECKED BY: _____
ORIGINAL PLAN NO. _____
NOTE BOOK NO. _____

FED. ROAD DIST. NO.	STATE	FED. AID PROJ. NO.	FISCAL YEAR	SHEET NO.	TOTAL SHEETS
HAWAII	HAW.	IHI-1(46):8	1973	41	104

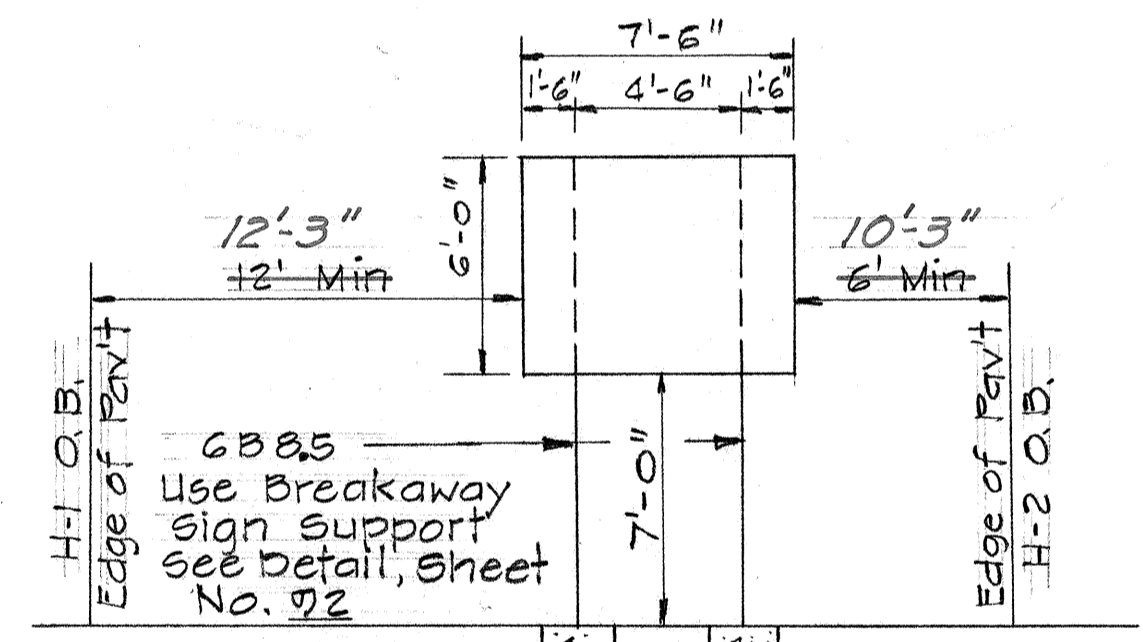


SIGN E-2
H-2 I.B. to H-1 O.B.
Sta. 507+00

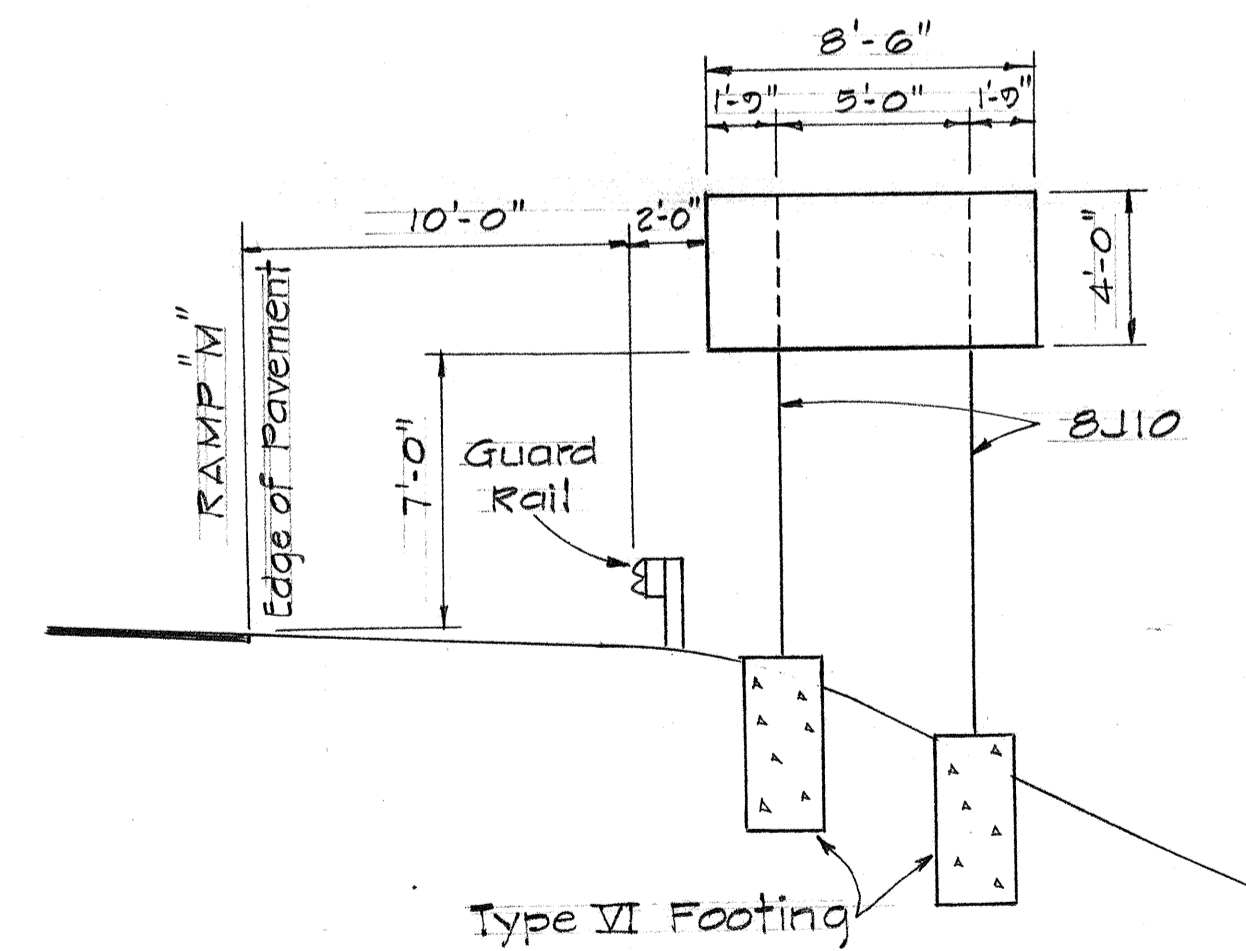
NOTE: Signs are shown in the direction of travel regardless of stationing.

For details See Sheet No. 68
Type V-A Footing

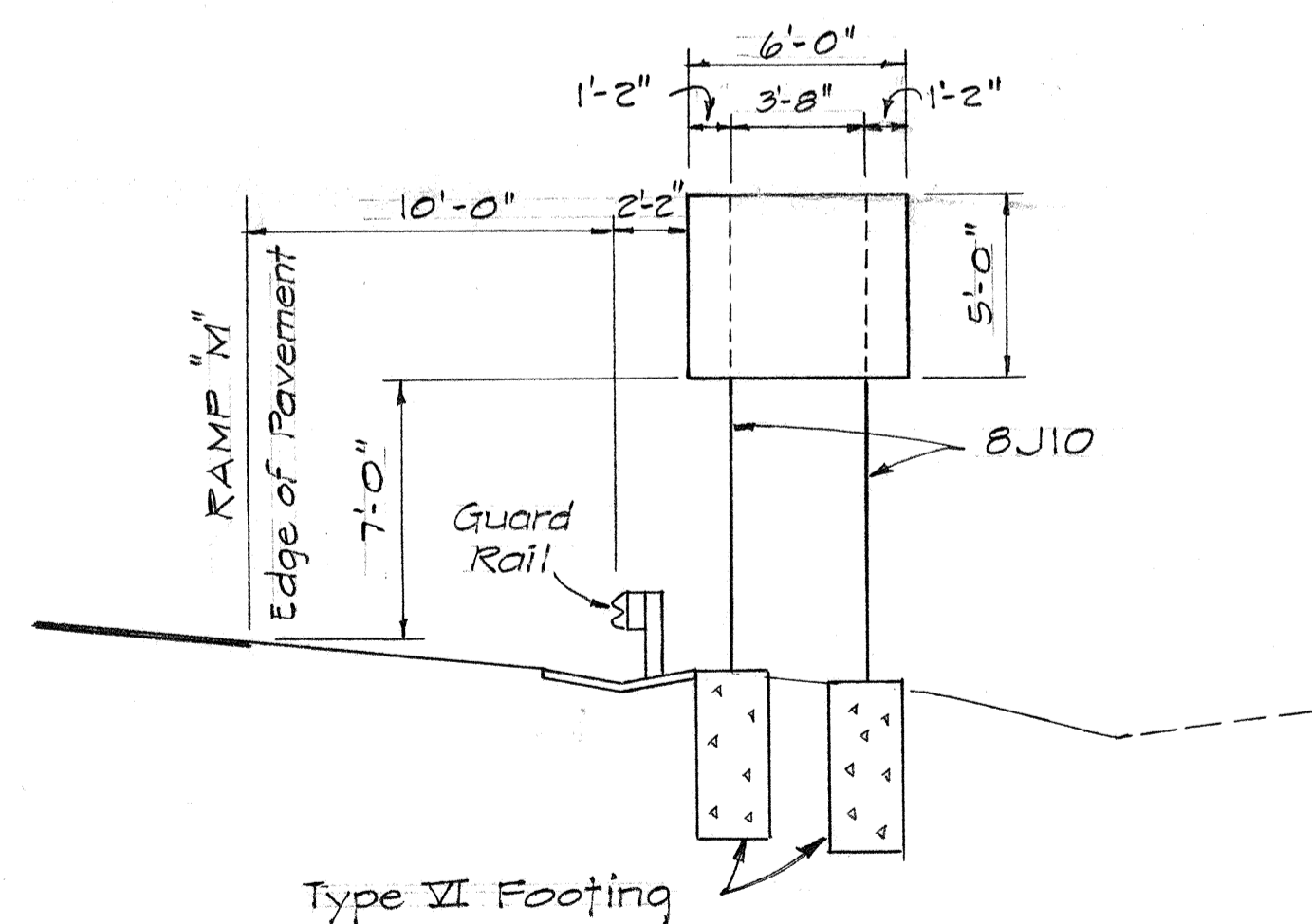
SIGN E-1
Sta. 432+95 I.B.



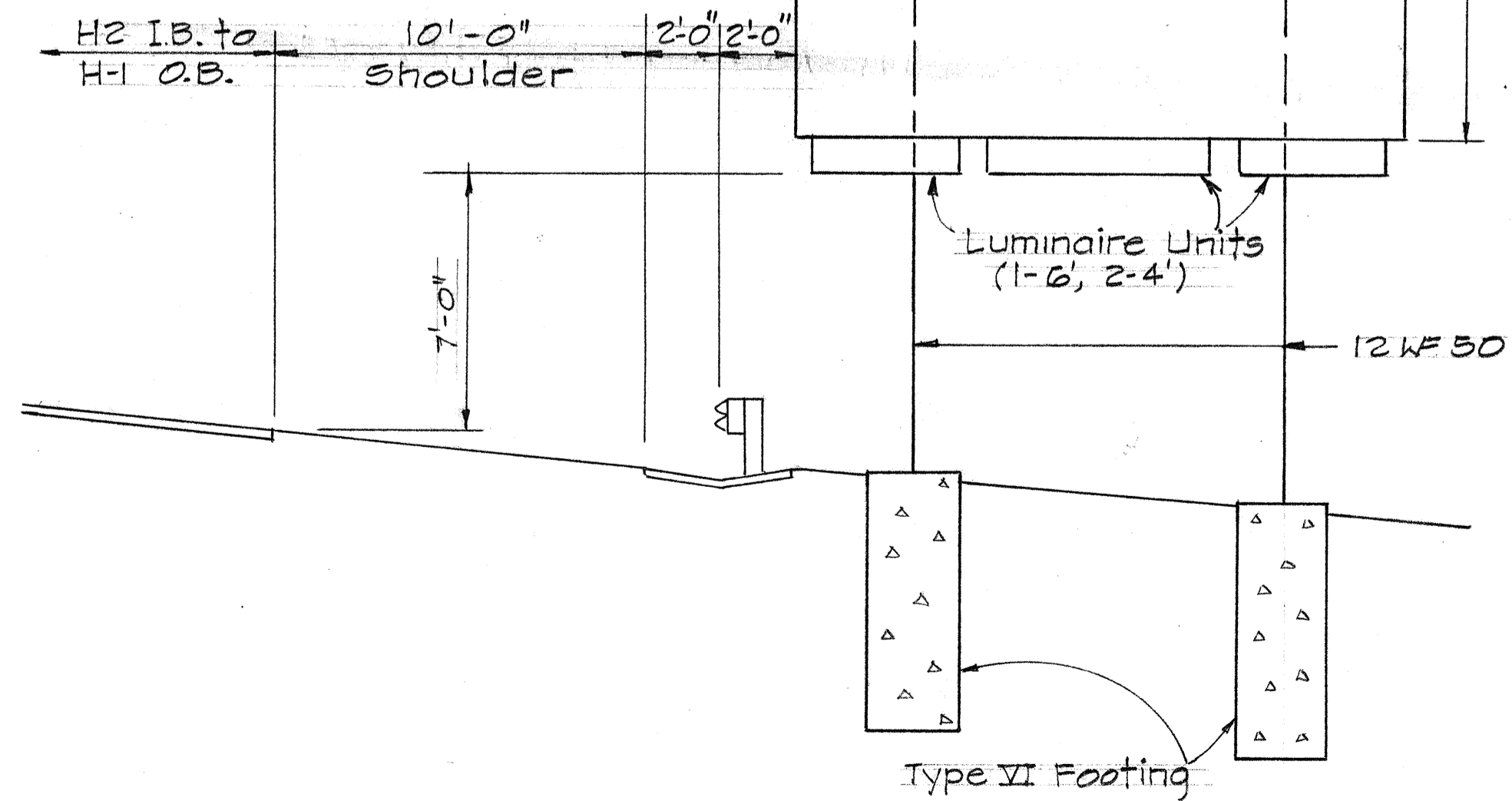
SIGN D-3
Sta. 507+50 H-1 O.B.
Not to Scale



SIGN D-1
Ramp "M" Sta. 2+50



SIGN D-2
Ramp "M" Sta. 13+00



SIGN E-3
Ramp H2-I Sta. 474+50

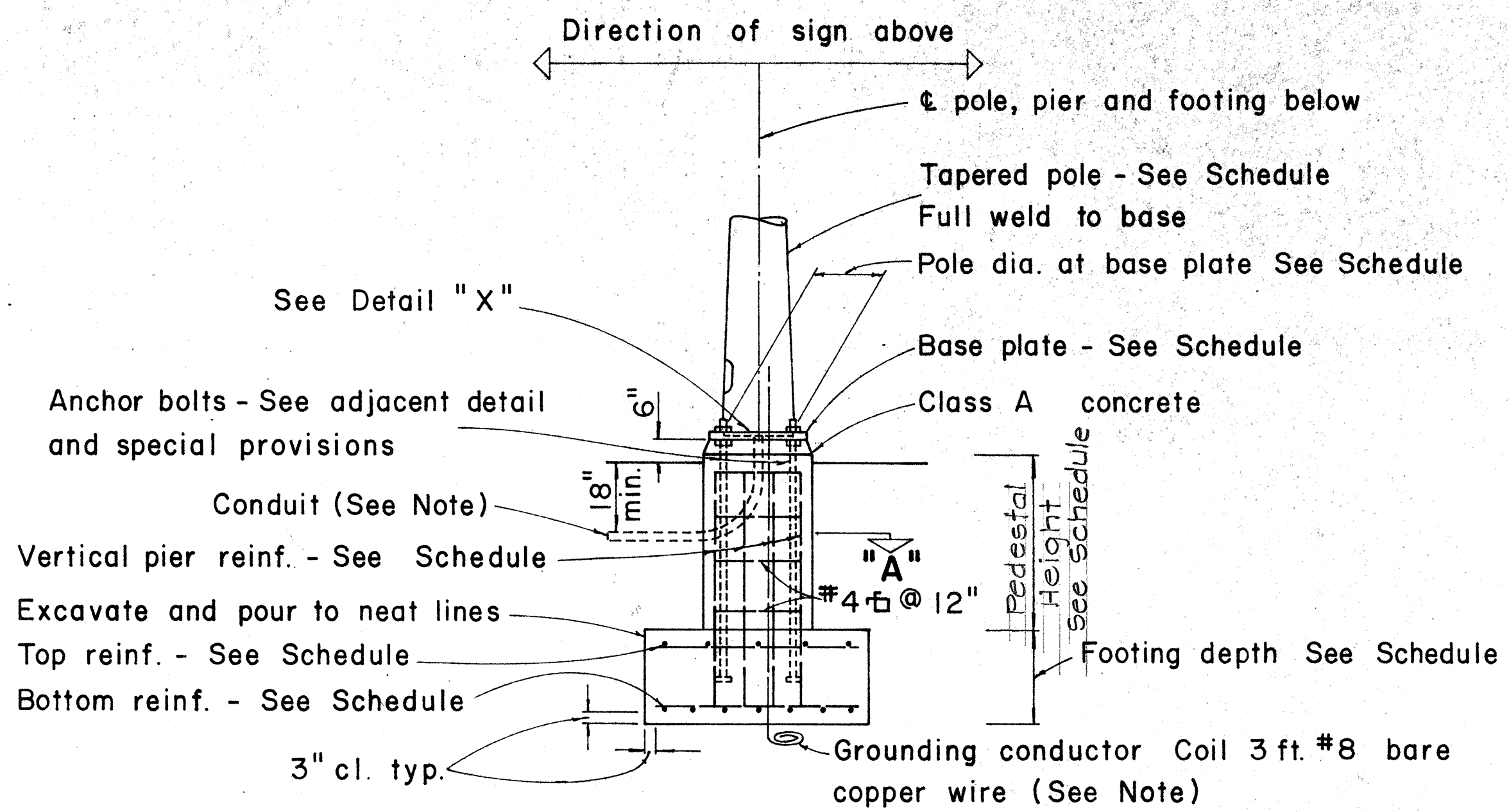
9/7/74	Added Sign D-3
DATE	REVISION

STATE OF HAWAII
DEPARTMENT OF TRANSPORTATION
HIGHWAYS DIVISION
FRAME LAYOUT
INTERSTATE ROUTE H-1
WAIAWA INTERCHANGE
F.A.I. Proj. No. I-HI-1(46):8
Not to Scale Date: April 1973
SHEET No. 6 OF 7 SHEETS

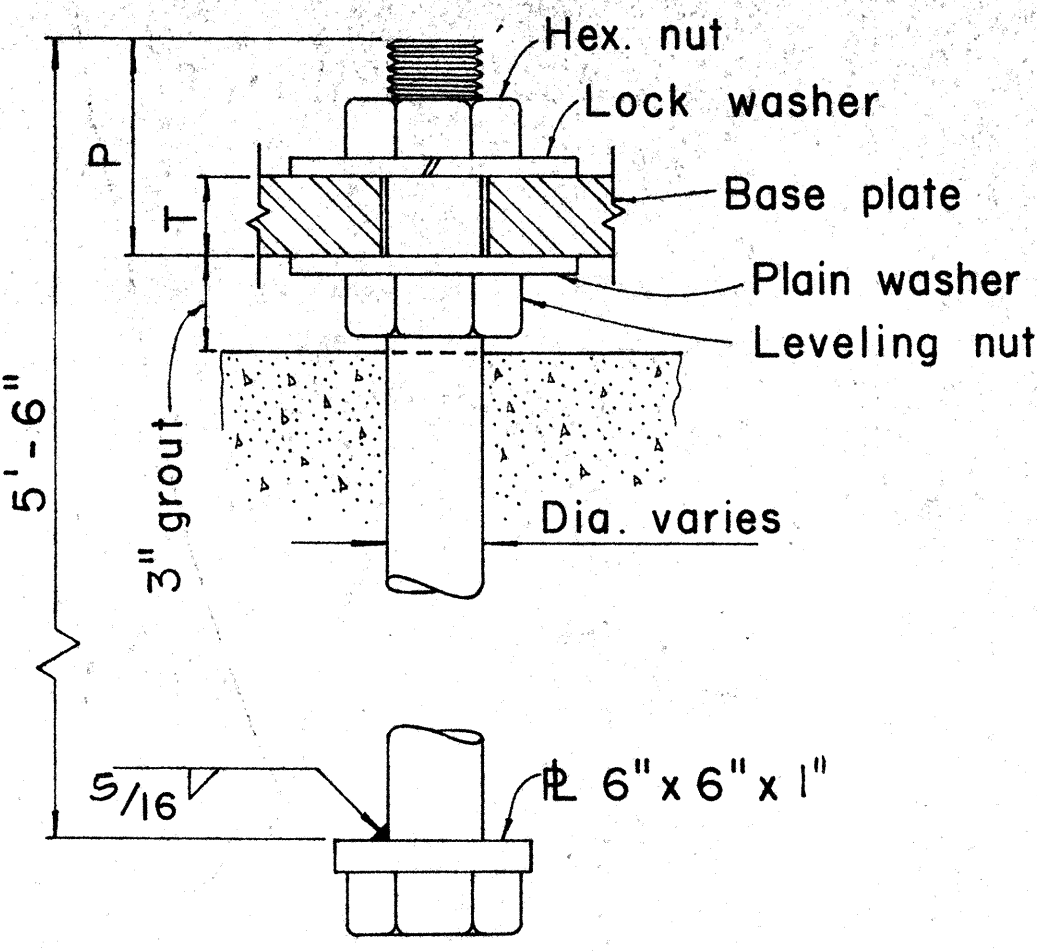
C.O. 212

DATE	
SURVEY PLOTTED BY	
DRAWN BY	
DESIGNED BY	
NOTE BOOK	
QUANTITIES BY	
CHECKED BY	
No.	

FED. ROAD DIST. NO.	STATE	FED. AID PROJ. NO.	FISCAL YEAR	SHEET NO.	TOTAL SHEETS
HAWAII	HAW.	146:8	1973	42	104

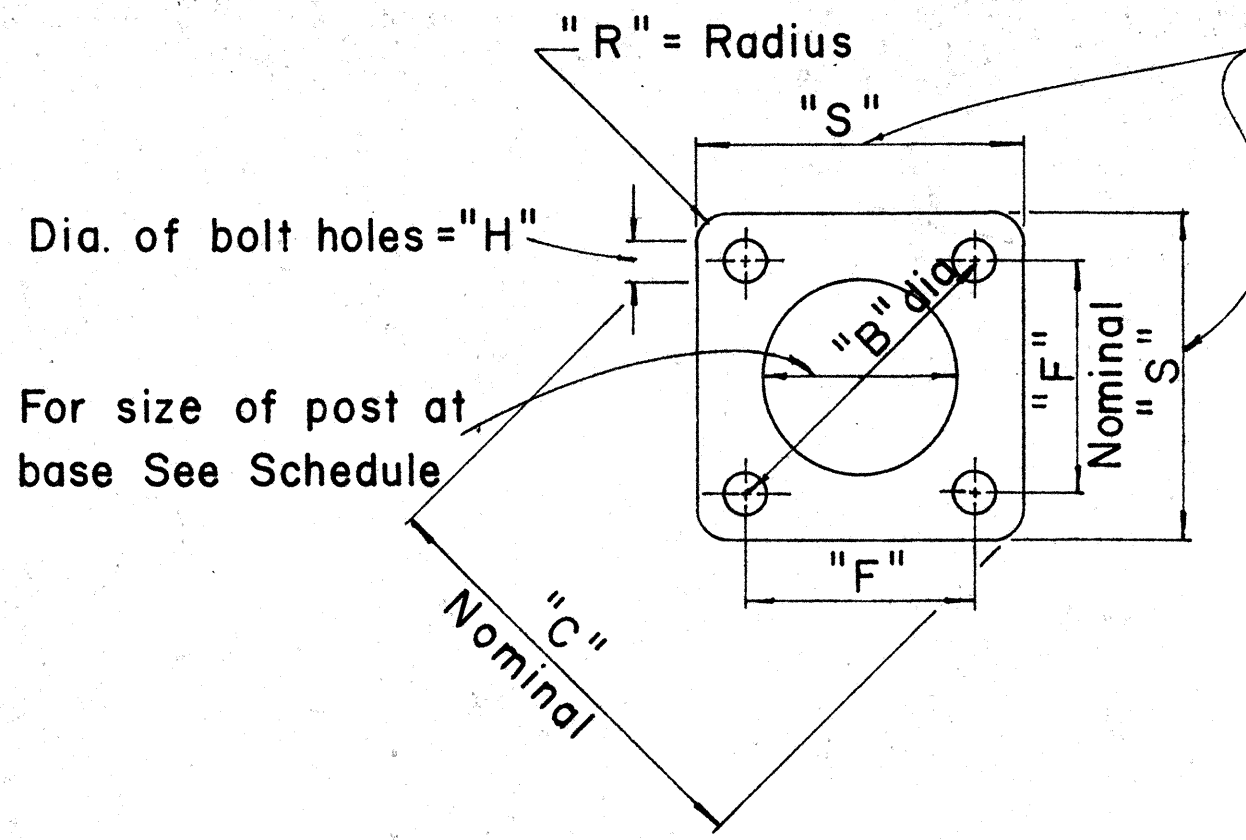


TYPICAL POLE FOUNDATION DETAIL



TYPICAL ANCHOR BOLT 4 REQ'D

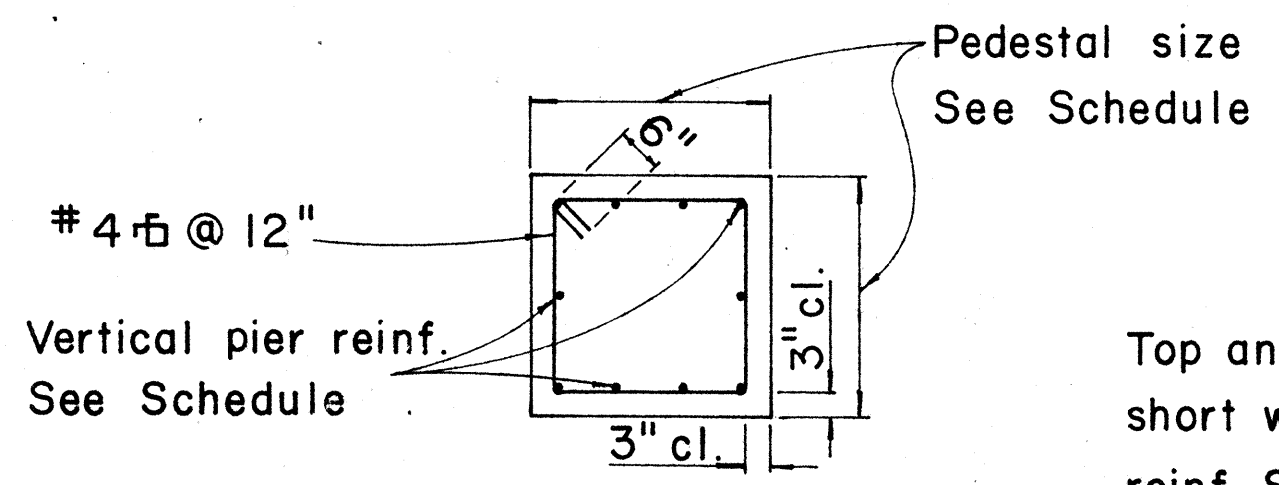
Gage No.	Post Dia.	B	C	F	H	P	R	S	T	Bolt Dia.
0+0	15"	23 1/2"	30 1/2"	16 3/8"	3 1/8"	6"	5"	24 1/2"	3"	3"



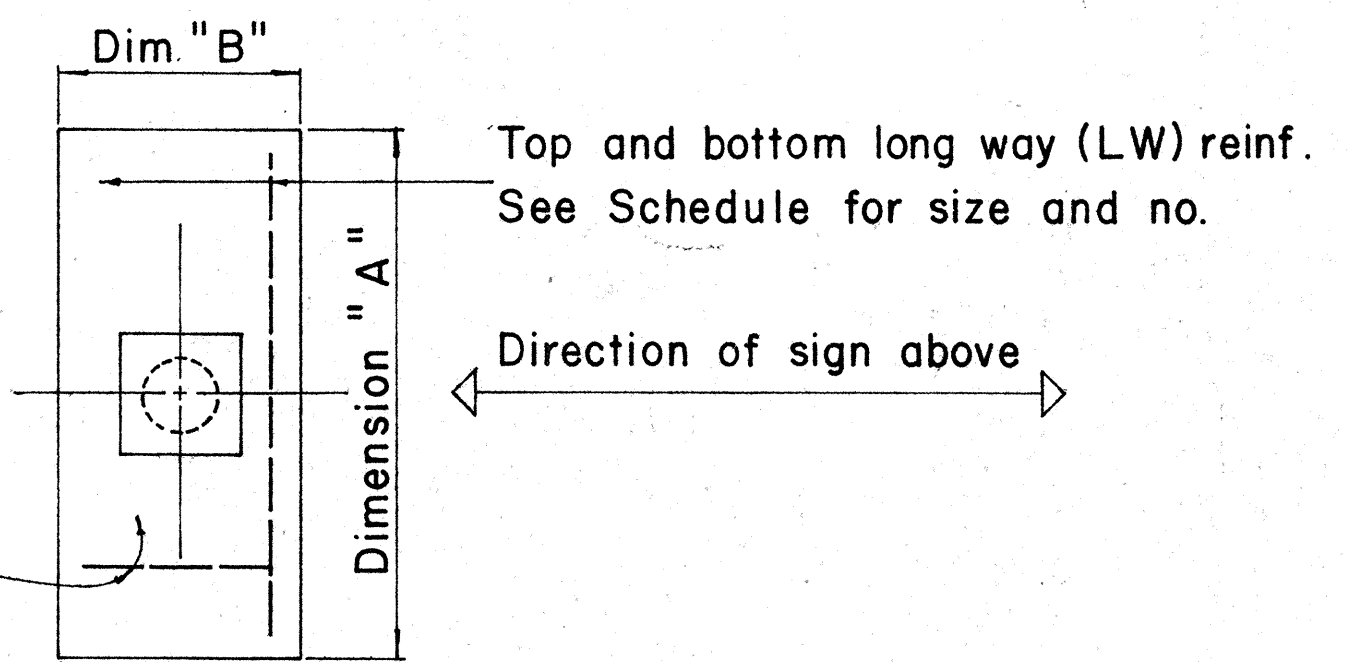
TYPICAL BASE PLATE

NOTE:

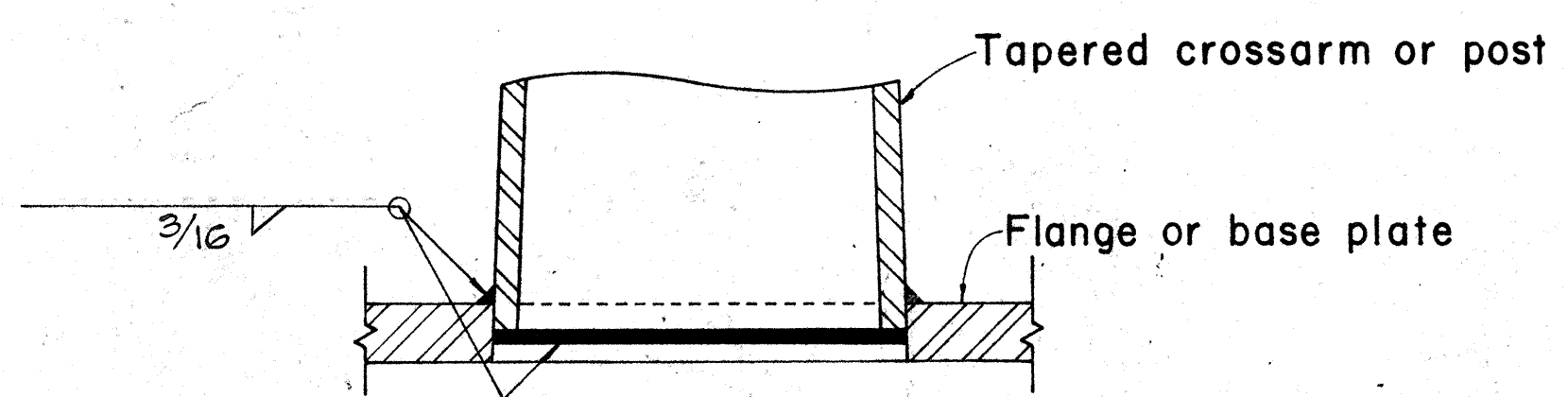
- Total number of conduits into pole foundation as indicated on Lighting plans. Conduits shall slope away from pole foundation. Conduit shall stub out 5'-0" min. for direct burial entry.
- Grounding conductor shall be bonded to sign support.



SECTION "A"



TYPICAL FOOTING DETAIL



DETAIL "X"

Type	Dimension		Depth	Bot Reinf.		Top Reinf.		Pedestal		
	A	B		L. W.	S. W.	L. W.	S. W.	Size	Vert. Reinf.	Height
I	7'-0"	3'-0"	2'-0"	3-#6	8-#4	#4 @ 12 each way		1'-11"	10-#5	
II	9'-0"	4'-6"	2'-0"	6-#6	10-#4	Do.		2'-6"	10-#7	
III	10'-0"	5'-0"	2'-0"	5-#8	11-#4	Do.		2'-6"	10-#8	
IV	12'-0"	6'-0"	2'-0"	7-#9	13-#4	Do.		2'-9"	10-#10	
V	14'-0"	7'-0"	2'-0"	8-#11	19-#4	Do.		2'-9"	10-#11	3'-0"
V-A	16'-0"	7'-0"	2'-0"	14-#7	17-#4	Do.		2'-7"	10-#14	5'-0"
V-B	16'-0"	7'-0"	2'-0"	14-#7	17-#4	Do.		2'-7"	10-#14	6'-6"

Sign No.	Station	Cross Beams	Posts Left & Right	Base Plate	Pedestal & Footing	
					Left	Right
E-1	432+75	0 Ga. 14"	0+0 Ga. 15"	24 1/2" x 24 1/2" x 3"	V-A	V-B

PLAN
DRAWN BY
CHECKED BY
DATE
NO.

STATE OF HAWAII
DEPARTMENT OF TRANSPORTATION
HIGHWAYS DIVISION

**POSTS AND CROSSARMS
DETAILS & SCHEDULES**

INTERSTATE ROUTE H-1
WAIAWA INTERCHANGE
F.A.I. PROJ. NO. I-HI-1(46):B

NOT TO SCALE DATE: APRIL 1973

SHEET No. 7 OF 7 SHEETS