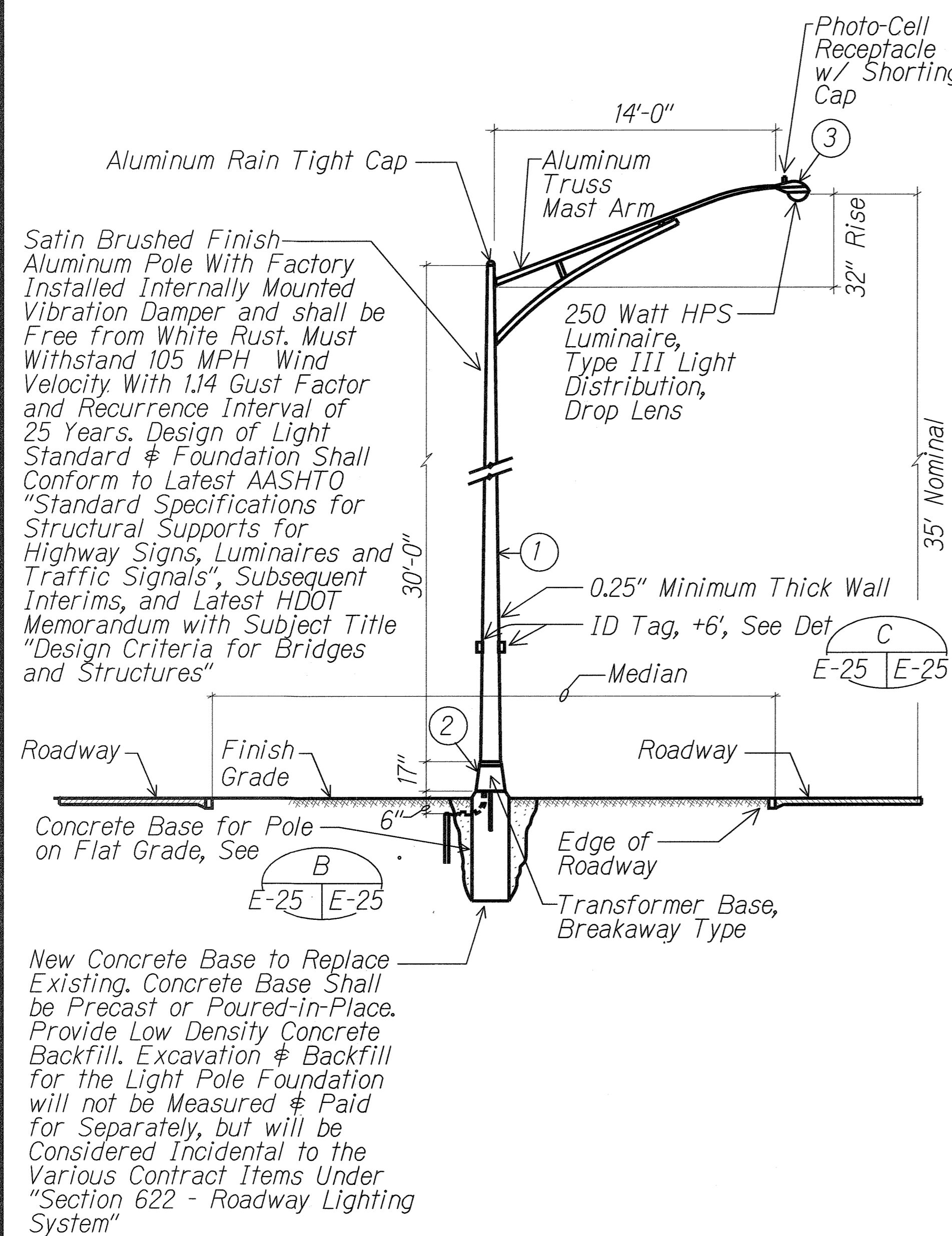
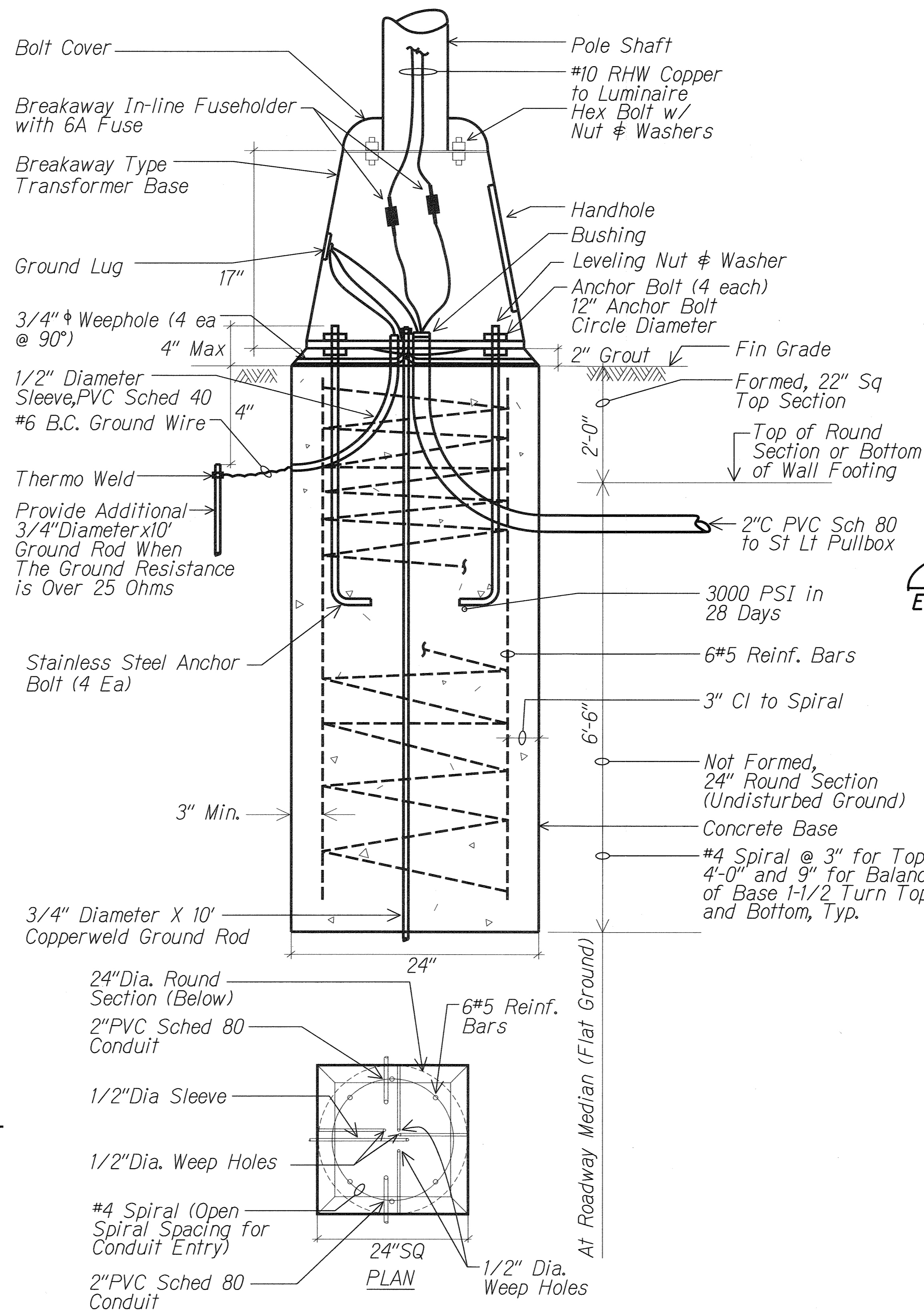


FED. ROAD DIST. NO.	STATE	PROJ. NO.	FISCAL YEAR	SHEET NO.	TOTAL SHEETS
HAWAII	HAW.	HIA/D-01-10M	2011	31	56

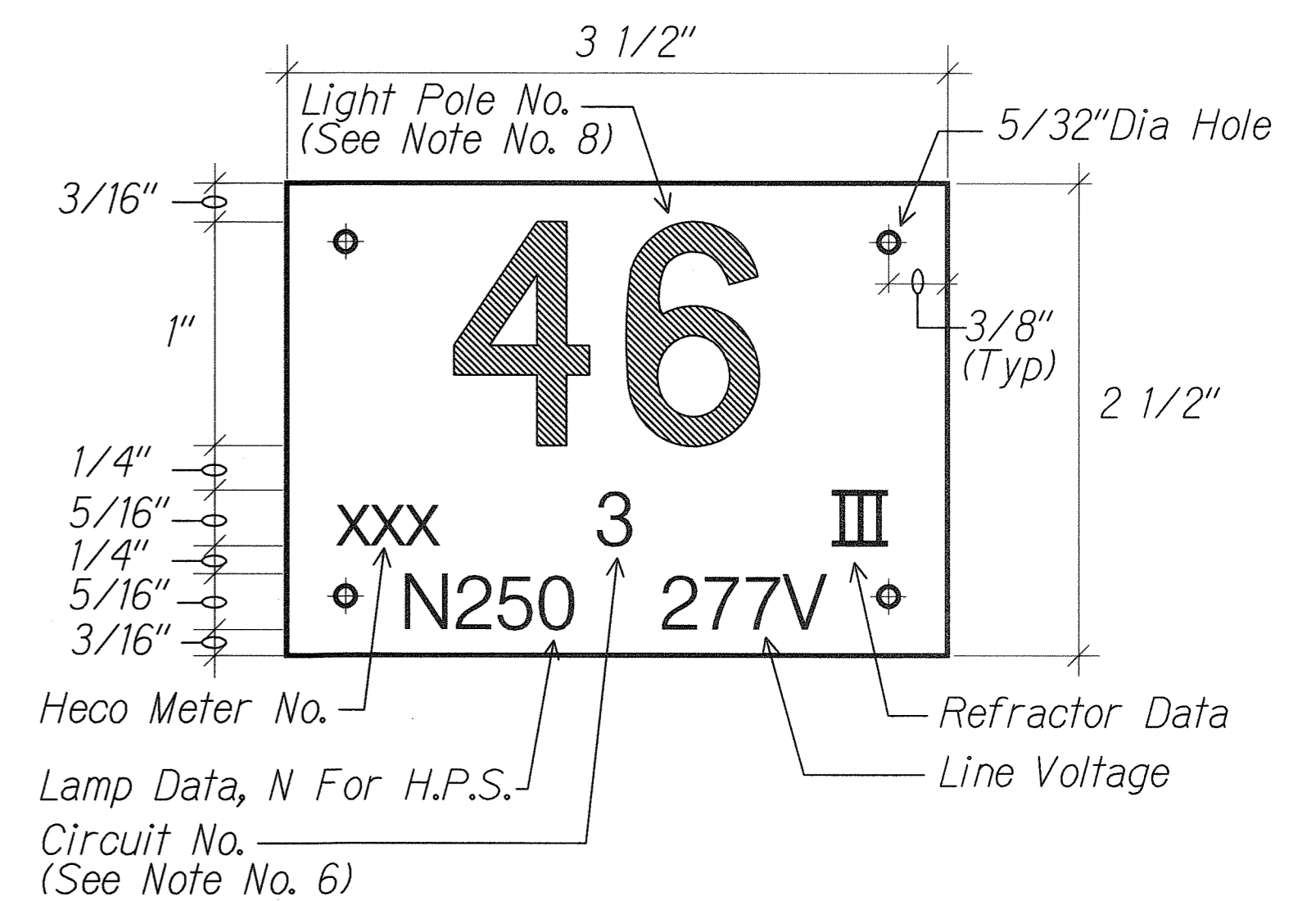


**A** STREET LIGHT STANDARD DETAIL  
E-1 E-25 NTS

ITEM	DESCRIPTION	MANUFACTURER
①	Light Pole, 30', Alum	
②	Transformer Base (Alum) (Breakaway Type)	
③	Luminaire, 250W HPS	



**B** TYPICAL TRANSFORMER BASE WIRING DETAIL  
E-25 E-25 NTS



**C** STREET LIGHT POLE TAG DETAIL  
E-1 E-25 NTS

**NOTES:**

- Use 3 Ply Laminated Flexible Plastic Black-White-Black Thickness Black Cap Sheet-0.010", White Base Sheet-0.052", Black Base Sheet-0.010".
- Light Pole Number Size Shall Be 1" High and Engraved 1/8" Wide, White in Color (Number as Required).
- Nomenclature Size Shall be 5/16" High and Engraved 1/32" Wide, White in Color (Heco Meter Number Panel Board and Circuit Number, Line Voltage, Lamp Data and Refractor Data as Required).
- Attach to Aluminum and Steel Post with No. 8 Stainless Steel, 1/2" Long Drive Screws in 1/8" Drill Hole. Attach to Wood Poles with 4D Aluminum Nail.
- Numbers are Inscribed by Cutting Through "Black Cap Sheet" to Expose "White Letters."
- Nomenclature Required for Systems with Two or More Circuits (Number Indicates Circuit).
- For Light Poles Installed on Ramp, Assign Numbers to Include Ramp I.D. and Light Number. Legend May Be Less Than One (1) Inch in Height.
- Light Numbers Shall be Obtained From the State. Use An Alphabet Suffix to Designate Lights Mounted on the Same Pole (e.g. 123A & 123B).

DATE	.....
SURVEY PLOTTED BY	.....
DRAWN BY	.....
DESIGNED BY	.....
QUANTITIES BY	.....
CHECKED BY	.....
ORIGINAL PLAN	.....
NOTE BOOK	.....
.....	.....
.....	.....

RUSSELL K. HORI  
LICENSED PROFESSIONAL ENGINEER  
No. 9013-E  
HAWAII, U.S.A.  
8/12/10

STATE OF HAWAII  
DEPARTMENT OF TRANSPORTATION  
HIGHWAYS DIVISION

**STREET LIGHT STANDARD DETAILS**

Interstate Route H-1  
Freeway Lighting System Reconductoring  
Makakilo Interchange to Kunia Interchange  
Project No. HIA/D-01-10M

Not to Scale Date: Aug. 2010

SHEET No. E-25 OF 56 SHEETS