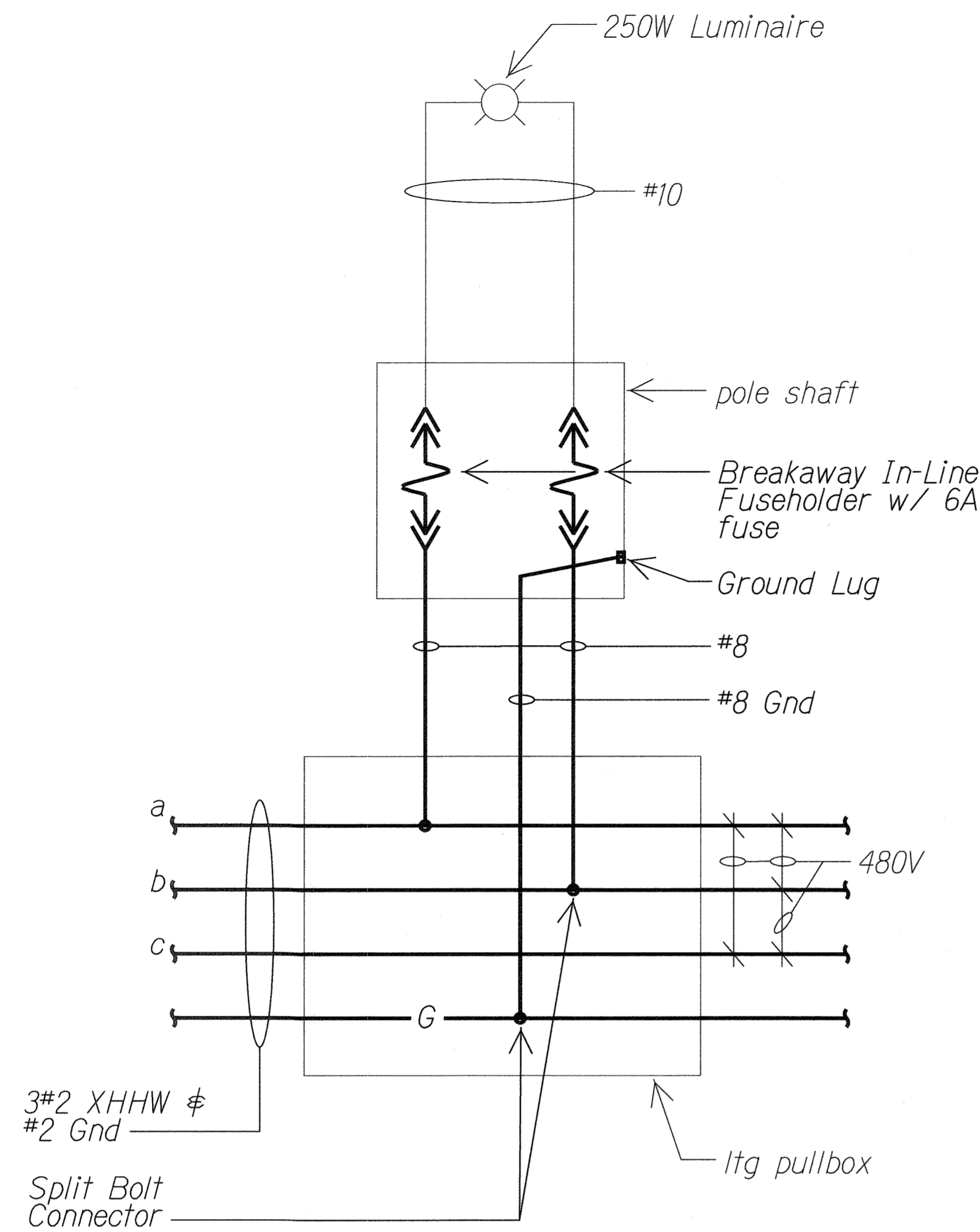
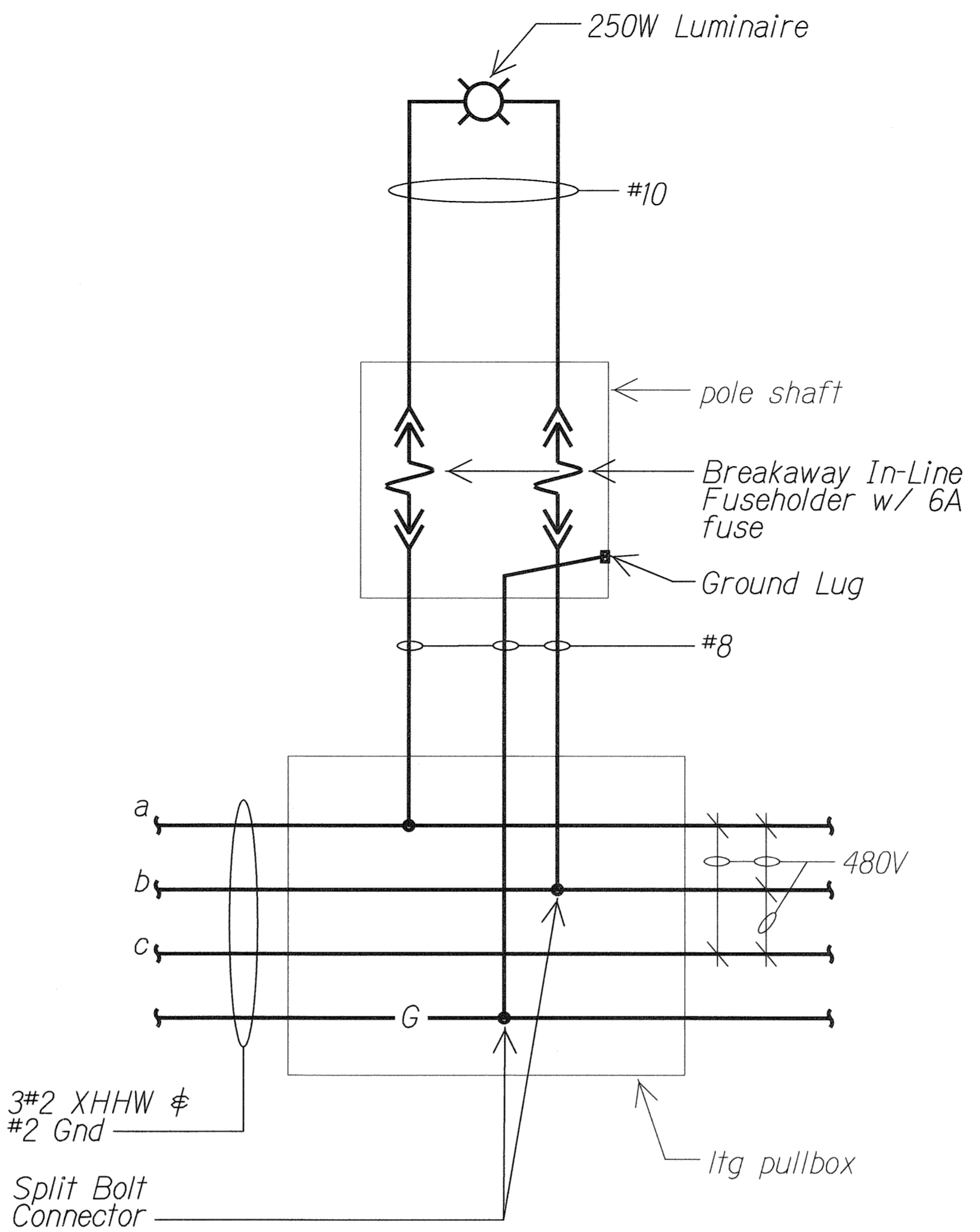


FED. ROAD DIST. NO.	STATE	PROJ. NO.	FISCAL YEAR	SHEET NO.	TOTAL SHEETS
HAWAII	HAW.	H1A/D-01-10M	2011	36	56



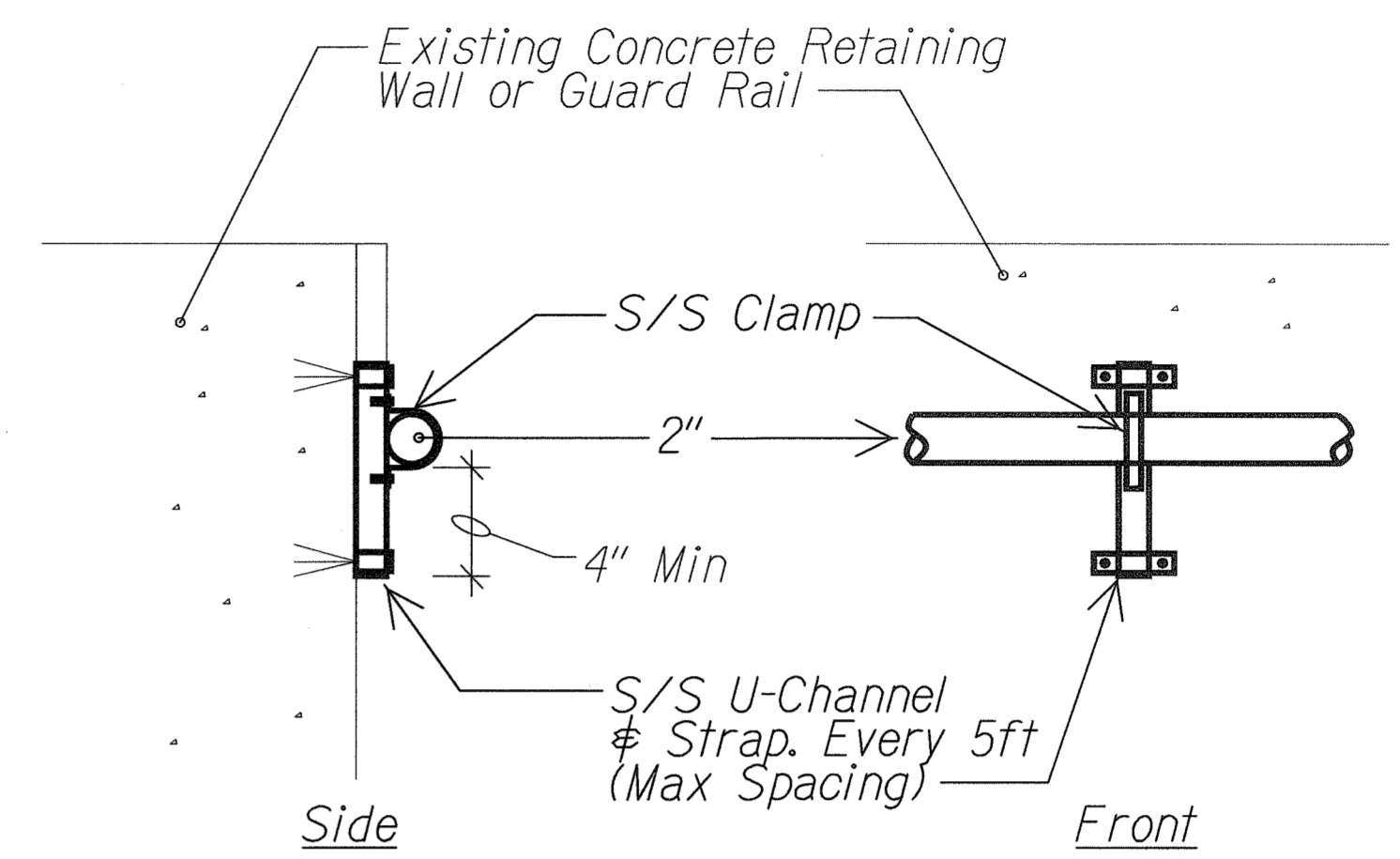
WIRING DIAGRAM (B)

Notes:
 — Light lines denote existing condition.
 — Bold lines denote new work.

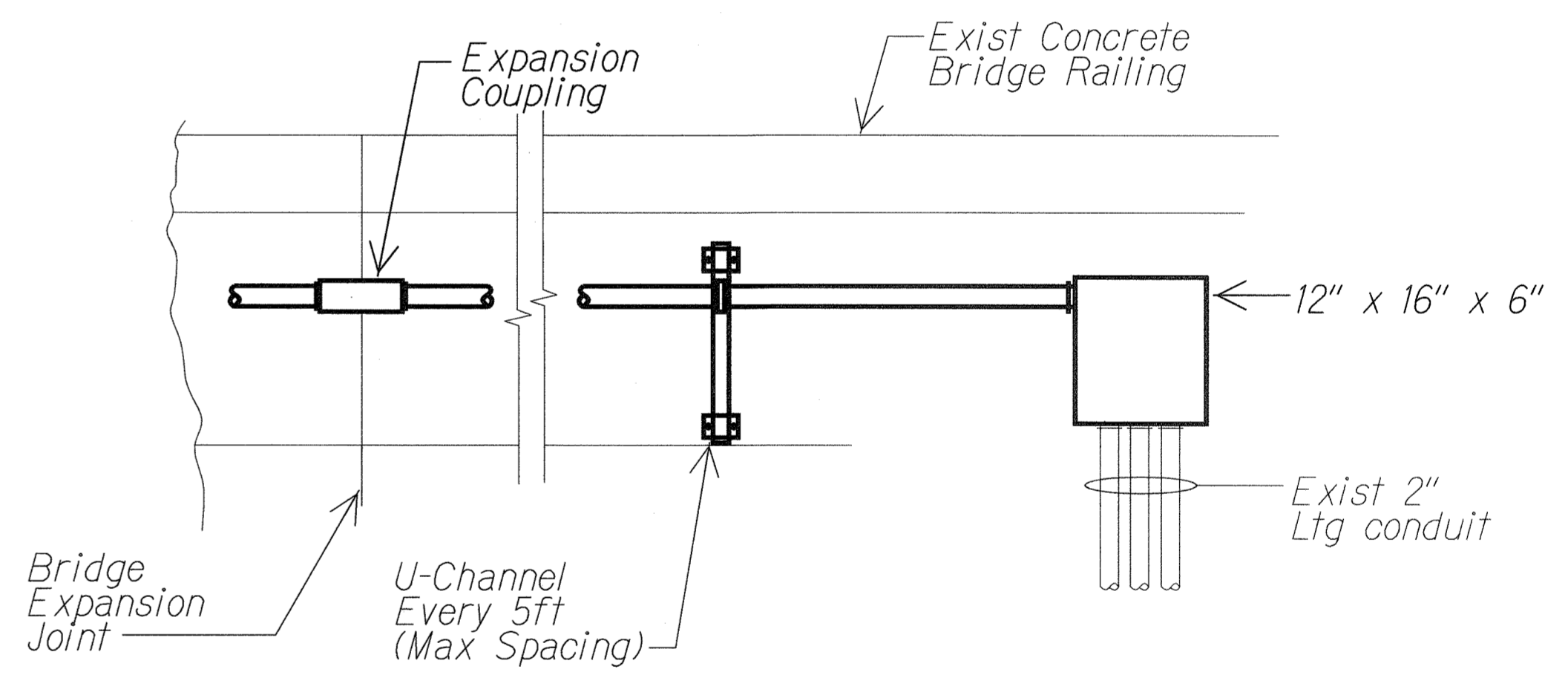


WIRING DIAGRAM (A)

Notes:
 — Light lines denote existing condition.
 — Bold lines denote new work.

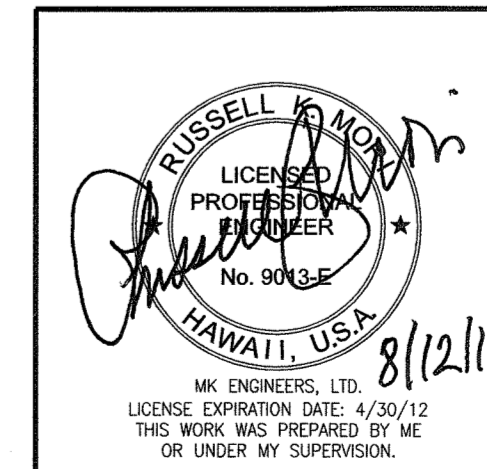


Note: See Structural Sht S-1 for Additional Details
CONDUIT MOUNTING DETAIL "A"



TYPICAL CONDUIT & JUNCTION BOX MOUNTING DETAIL

DATE	_____
SURVEY PLOTTED BY	_____
DRAWN BY	_____
CHECKED BY	_____
DESIGNED BY	_____
NOTE BOOK	_____
QUANTITIES BY	_____
CHECKED BY	_____
N.	_____



STATE OF HAWAII
 DEPARTMENT OF TRANSPORTATION
 HIGHWAYS DIVISION
MISCELLANEOUS DETAILS
& WIRING DIAGRAMS
 Interstate Route H-1
 Freeway Lighting System Reconductoring
 Makakilo Interchange to Kunia Interchange
 Project No. H1A/D-01-10M
 Scale: No Scale Date: Aug. 2010