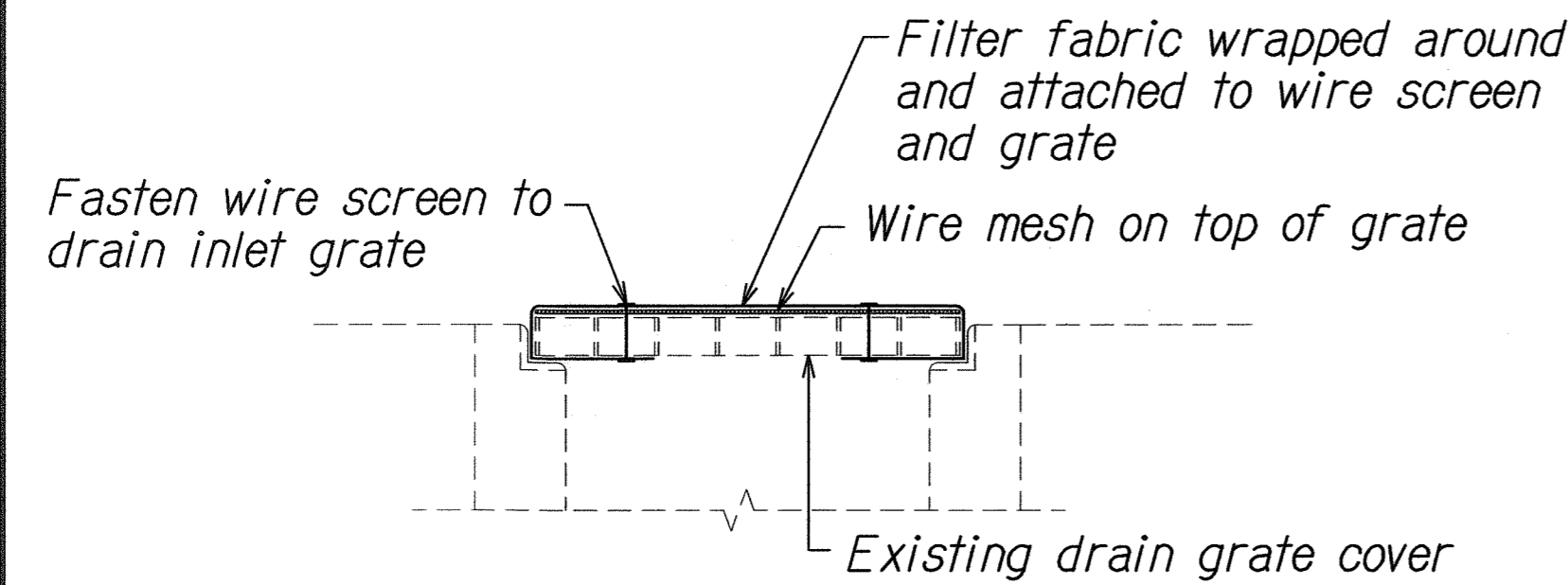


FED. ROAD DIST. NO.	STATE	PROJ. NO.	FISCAL YEAR	SHEET NO.	TOTAL SHEETS
HAWAII	HAW.	HIA/D-01-10M	2011	6	56

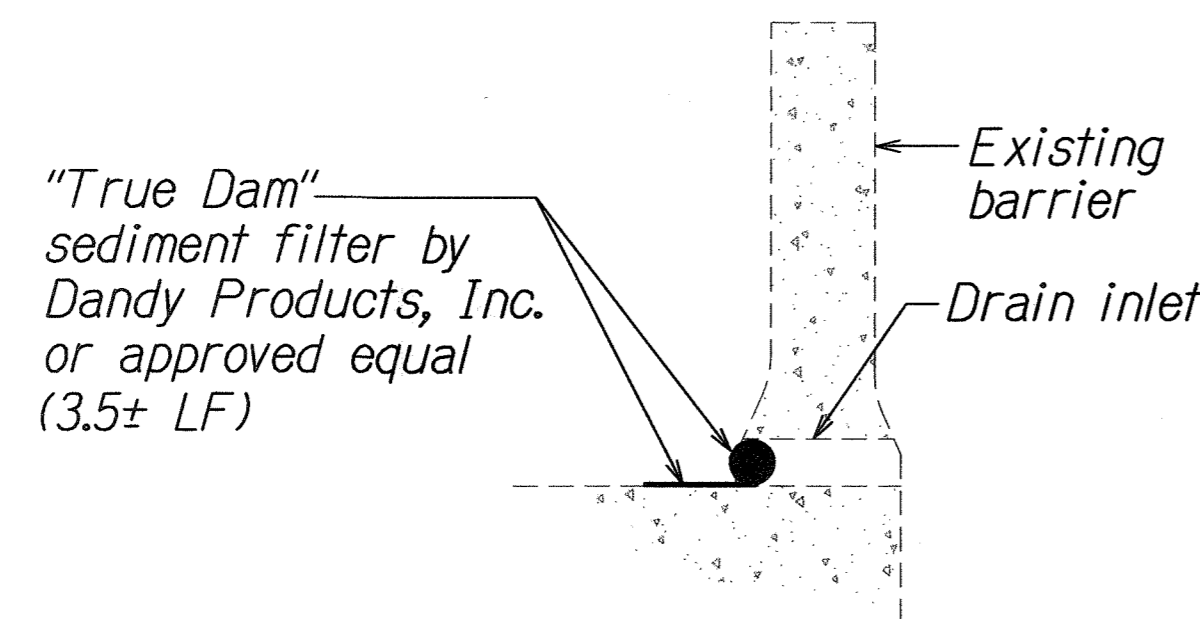


NOTES:

1. Contractor shall check the condition of the filter at the beginning and ending of each work day and repair/clean as necessary.
2. The Contractor shall remove inlet filters during times of above normal rainfall events and replace them when the event has passed.
3. To be installed at all existing drain inlet and trench drains adjacent to downstream of work area.

A TYPICAL GRATE DRAIN INLET PROTECTION DETAIL

Not To Scale

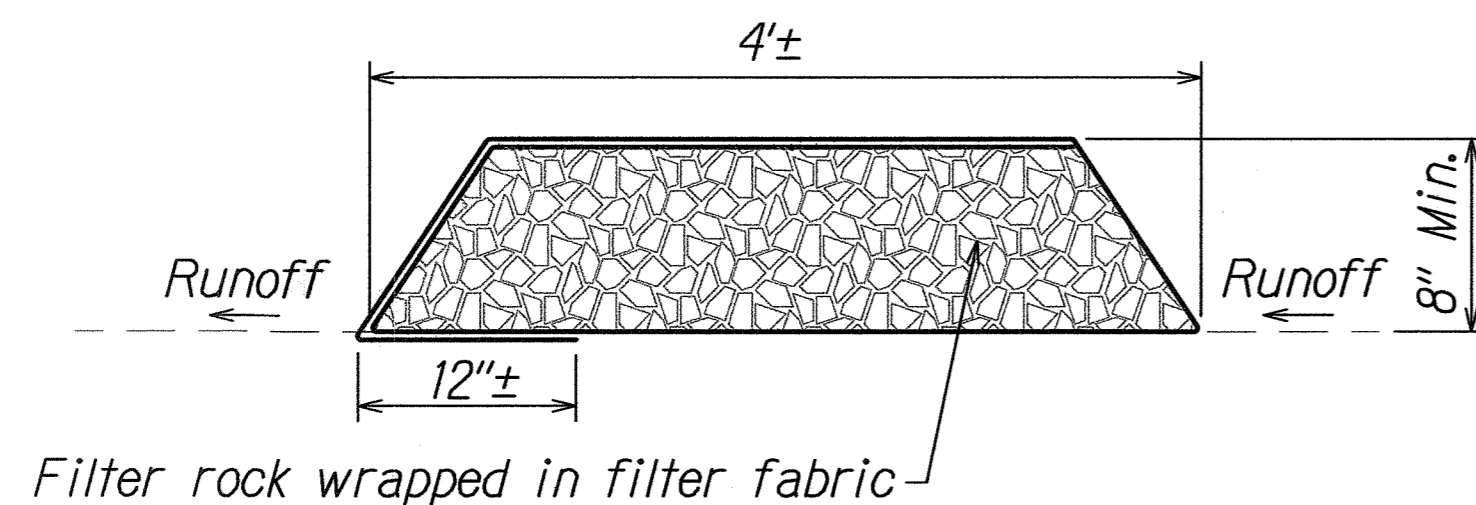


NOTES:

1. The Contractor shall remove inlet filters during times of above normal rainfall events and replace them when the event has passed.
2. To be installed at all existing catch basins adjacent and downstream of work areas.

B TYPICAL DRAIN INLET PROTECTION DETAIL

NTS



C FILTER ROCK BERM W/FILTER FABRIC SECTION

Not To Scale

ENVIRONMENTAL PROTECTION NOTES

1. The Contractor, at his own expense, shall provide effective measures for the control of fugitive dust emissions from the project and surrounding areas caused by his operations. These measures shall meet the requirements of State Administrative Rules, Department of Health, Air Pollution Control (11-60J).
2. All grading operations shall be performed in conformance with the applicable provisions of the grading ordinance to prevent violation of The State Administrative Rules, Department of Health, Water Pollution Control and Water Quality Standards (11-54, 11-55) due to erosion and run off to state waters.
3. Grub material, demolition wastes, and construction wastes shall be disposed of at an authorized site having a Department of Health Solid Waste management permit. Open burning is prohibited.
4. All excess material shall be removed from the project site.

TEMPORARY DUST CONTROL MEASURES

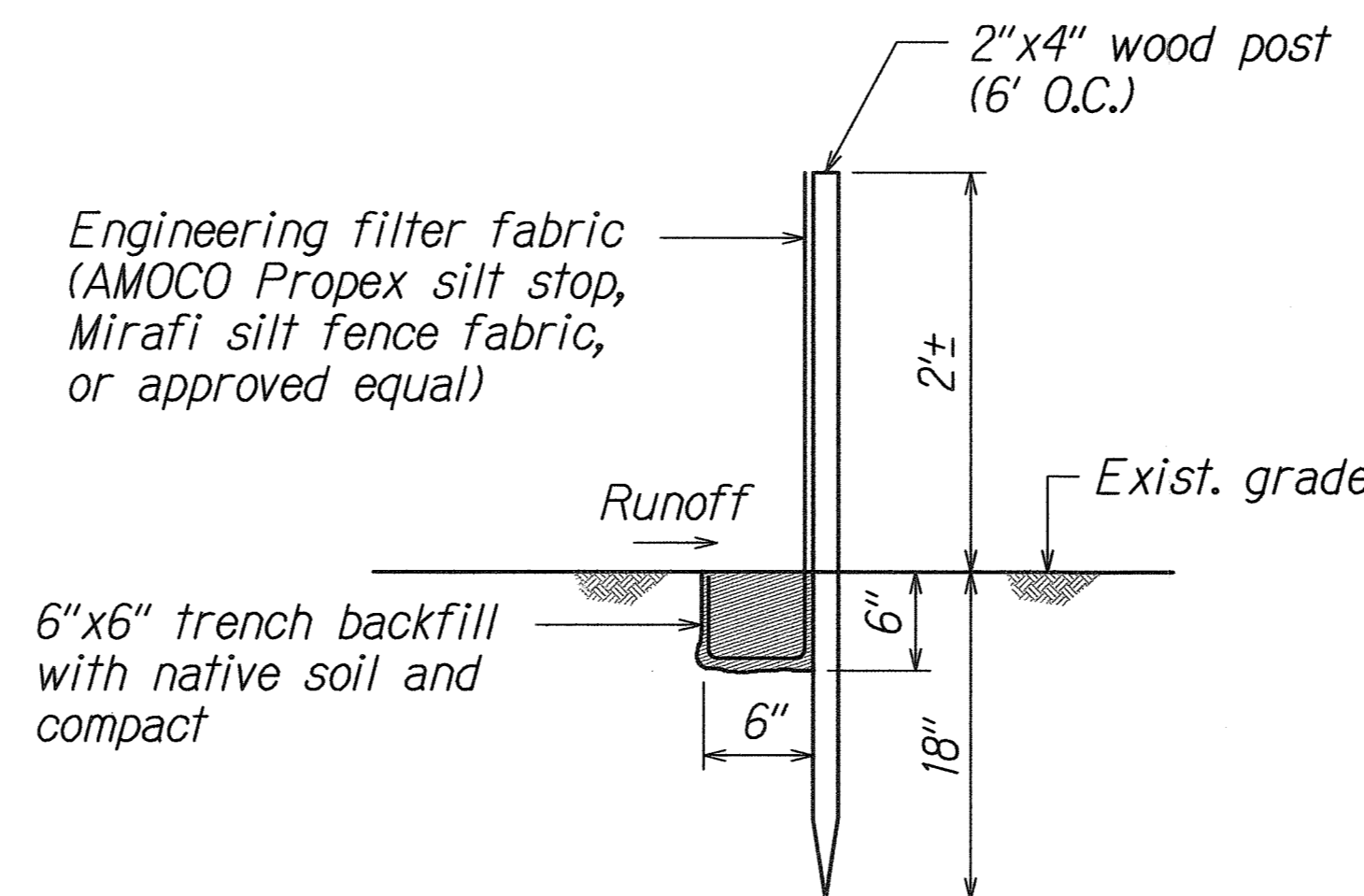
1. The graded or project site that is cleared of vegetation shall be kept damp for seven (7) days a week. At the end of each day, the site shall be sufficiently dampened so that the site will remain moistened during the night.
2. The Contractor shall conduct his operations so that excavation, embankment, and imported material shall be dampened to prevent dust problems.

TEMPORARY EROSION CONTROL MEASURES

1. Temporary vegetative cover shall be planted or fiber mulch applied as soon as final grades are achieved, or if final grading of the site will be suspended for more than 21 calendar days.
2. Temporary vegetative cover shall consist of 40 lbs, common rye grass seed per acre, 400 lbs, per acre 10-10-10 or equivalent fertilizer worked into the soil concurrently with all plantings. Planting and maintenance of grass shall conform to the "Hawaii Standard Specifications for Road and Bridge Construction", 2005.

EROSION CONTROL/BEST MANAGEMENT PRACTICES NOTES

1. Erosion control measures to be installed prior to start of construction and be maintained until completion of all construction activities.
2. The final lift of each day's work shall be compacted to prevent erosion of fill material.
3. Catch basin and drain inlet filters shall remain until completion of construction work. Contractor shall periodically inspect catch basin and inlet filters, especially during heavy rainfall, to ensure drainage through filter material is maintained.
4. Good housekeeping shall be utilized to ensure protection of roadways from mud, dirt, and debris.
5. At the end of grading operations and at the completion of project, Contractor shall inspect all catch basins, drain inlets and drain manholes surrounding the project site. Any accumulated sediment and debris found in the storm drain structures shall be removed. Please note that flushing into the drain structures are prohibited.
6. The Contractor shall obtain permits and/or licenses for the location of the equipment staging/storage area and provide a copy to the Engineer.



NOTE:

Filter fabric shall be a pervious sheet of polypropylene, nylon, polyester or ethylene yarn with UV inhibitors and stabilizers.

D SILT FENCE DETAIL

Not To Scale

SURVEY PLOTTED BY	DATE
DRAWN BY	
CHECKED BY	
NOTE BOOK	
QUANTITIES BY	
CHECKED BY	
NO.	

<p>JOHN K. NISHIMURA LICENSED PROFESSIONAL ENGINEER No. 4920-C HAWAII, USA</p> <p>This work was prepared by me or under my supervision.</p> <p>FUKUNAGA AND ASSOCIATES, INC. LICENSE EXPIRATION DATE: APRIL 30, 2012</p>	<p>STATE OF HAWAII DEPARTMENT OF TRANSPORTATION HIGHWAYS DIVISION</p> <p>BEST MANAGEMENT PRACTICES</p> <p>NOTES & DETAILS</p> <p>Interstate Route H-1 Freeway Lighting System Reconductoring Makakilo Interchange to Kunia Interchange Project No. HIA/D-01-10M Scale: Not to Scale Date: August, 2010</p>
	<p>SHEET No. H-3 OF 3 SHEETS</p>
	<p>6</p>