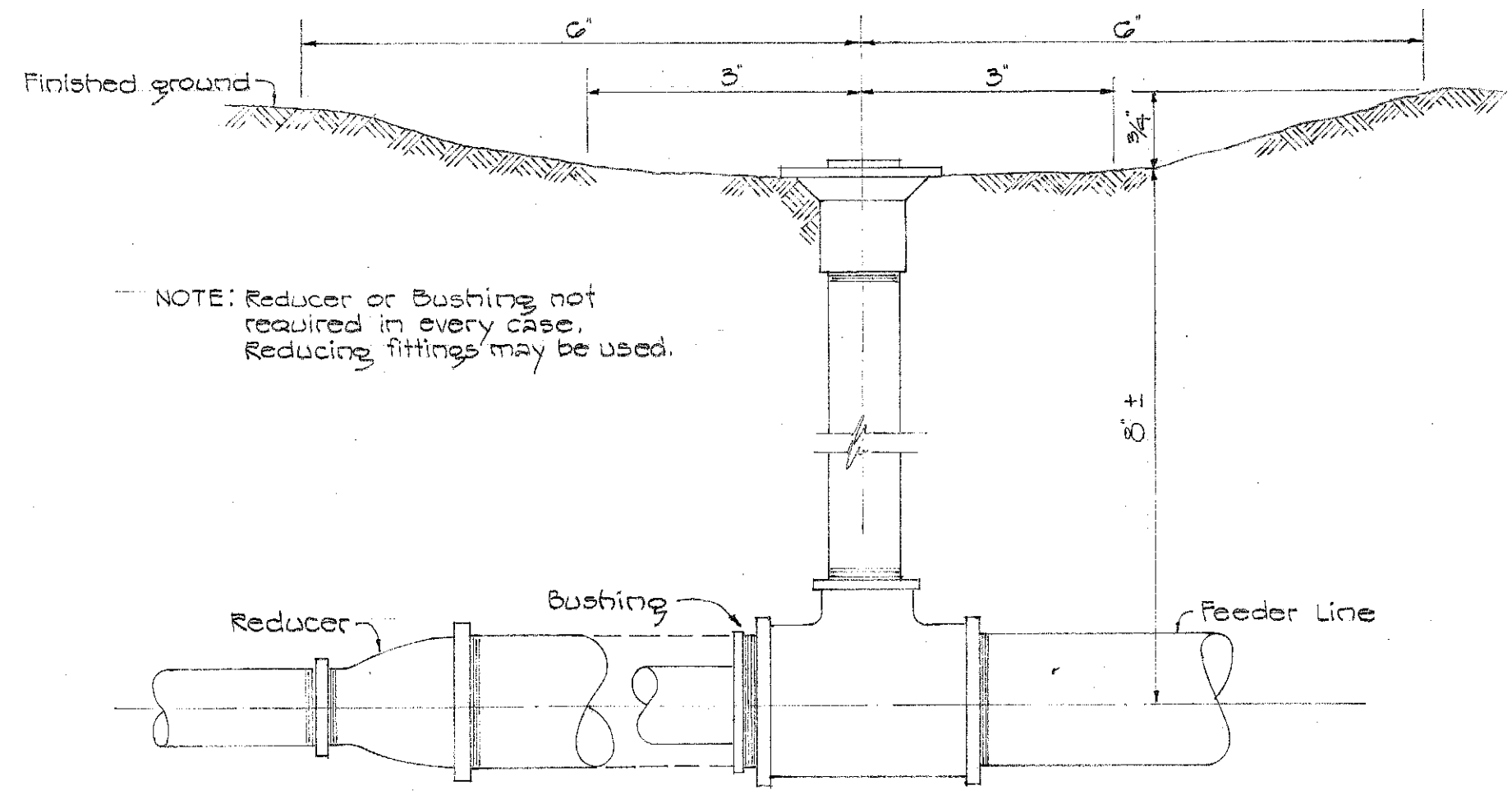
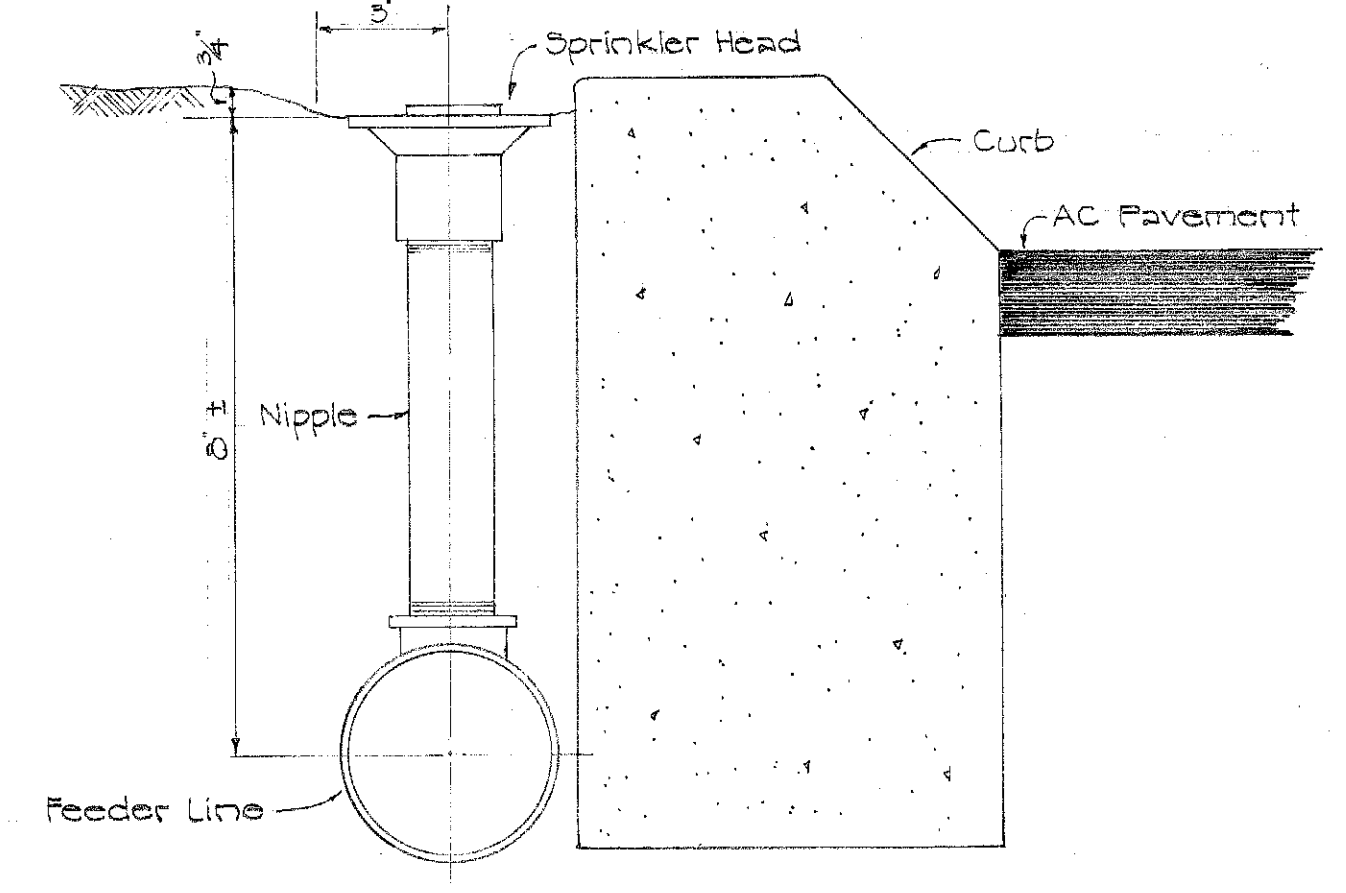


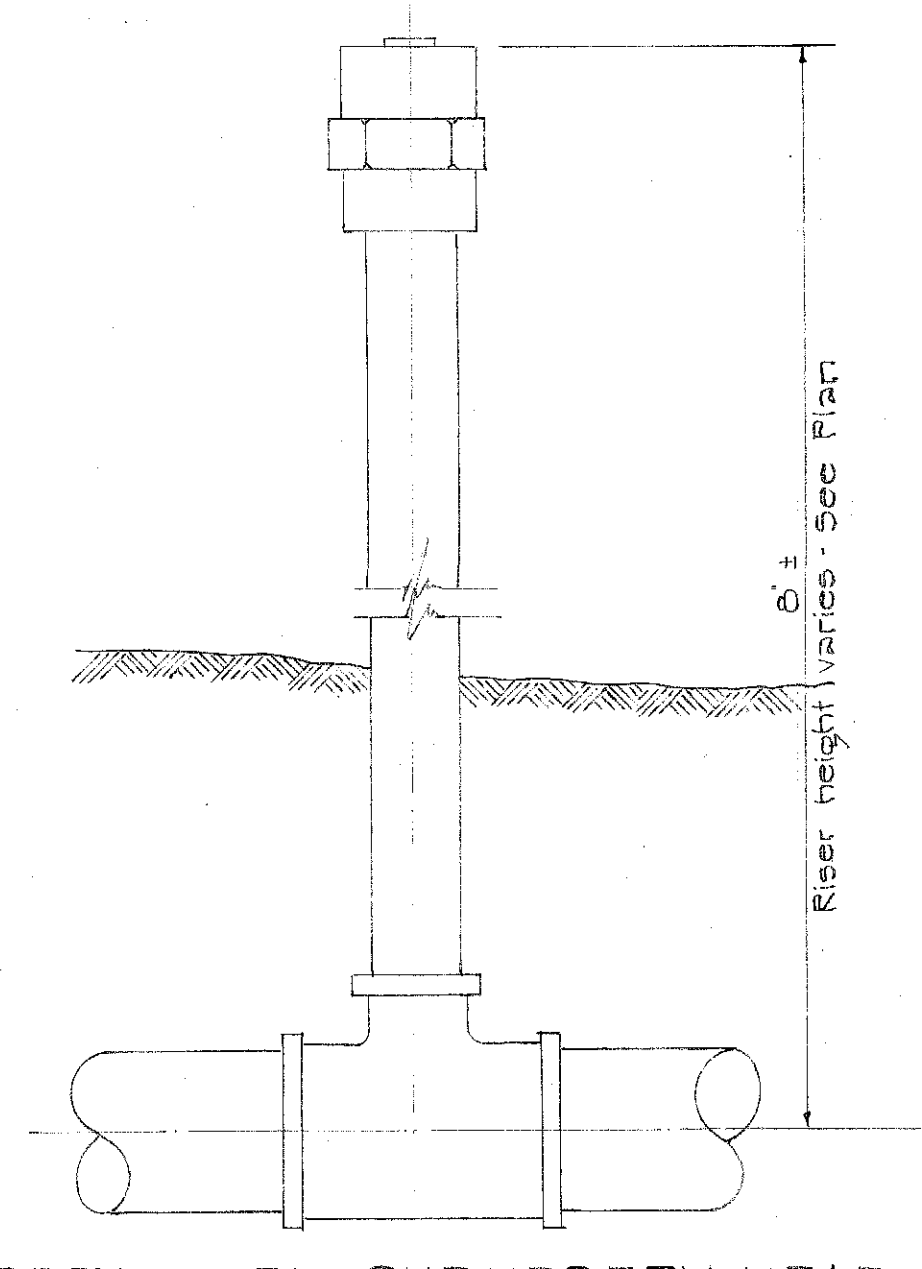
FED. ROAD DIST. NO.	STATE	FED. AID PROJ. NO.	FISCAL YEAR	SHEET NO.	TOTAL SHEETS
HAWAII	HAWAII	50-072-1A	F-028-1(3)		



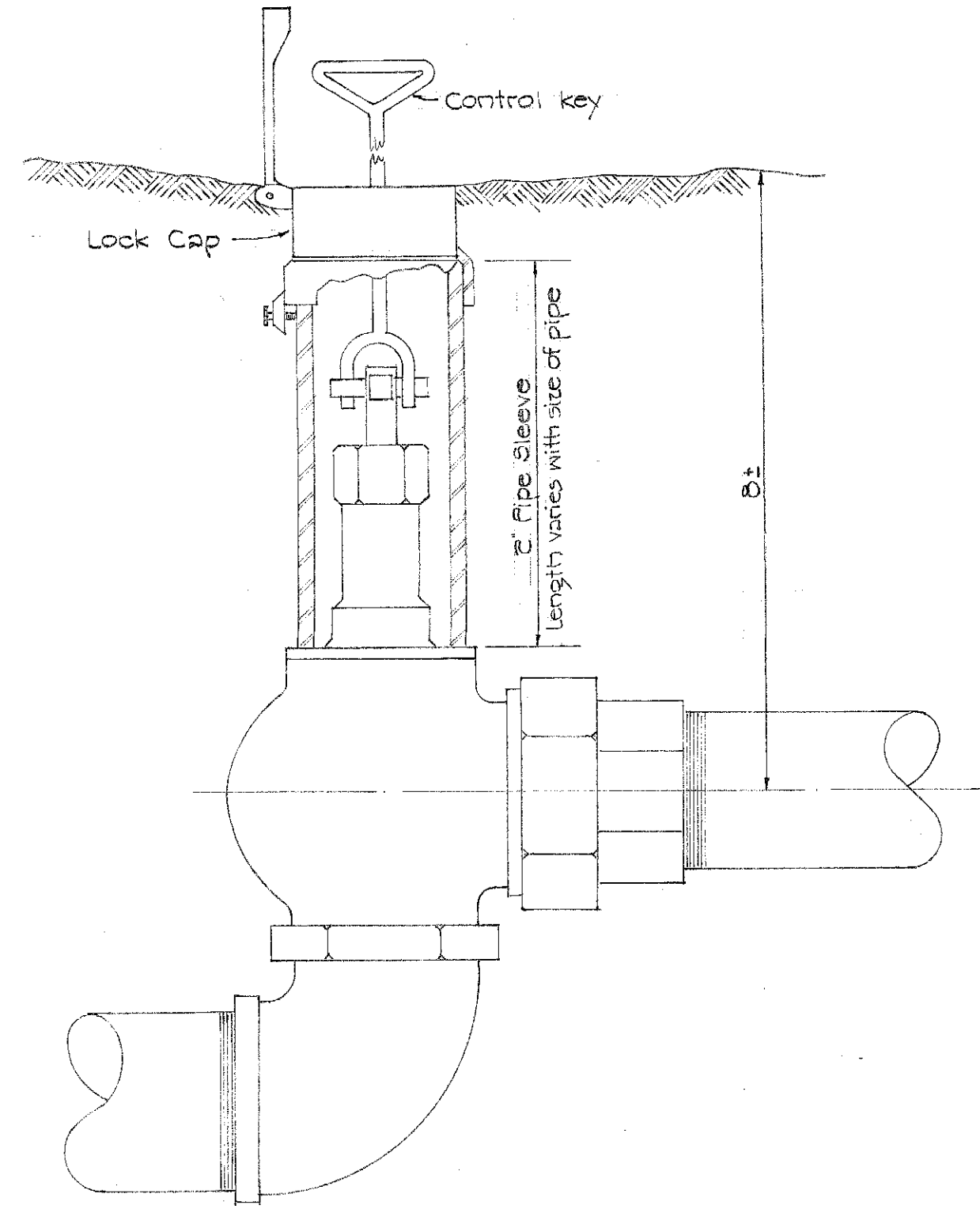
CONNECTION OF SPRINKLER HEAD TO FEEDER LINE
Not to Scale



TYPICAL DETAIL OF SPRINKLER AT CONCRETE CURBS
Not to Scale



DETAIL OF SHRUBBERY HEAD
Not to Scale



DETAIL OF ANGLE CONTROL VALVE WITH SLEEVE AND LOCK CAP
Not to Scale

DATE	DESIGNED BY
	TRACED BY
	QUANTITIES CHECKED BY
	CHECKED BY
ORIGINAL PLAN No.	NOTE BOOK No.

TERRITORIAL HIGHWAY DEPARTMENT
TERRITORY OF HAWAII
SPRINKLER SYSTEM DETAILS
LUNALILO FREEWAY
PELE ST. TO KEEAUMOKU ST.
PROJECT No. BU-072-1(4)
VINEYARD THOROUGHFARE
MILLER ST. TO LUNALILO FREEWAY
PROJECT No. F-028-1(3)
Scale: As Noted

SHEET No. 15 OF 15 SHEETS

5927.

5928.