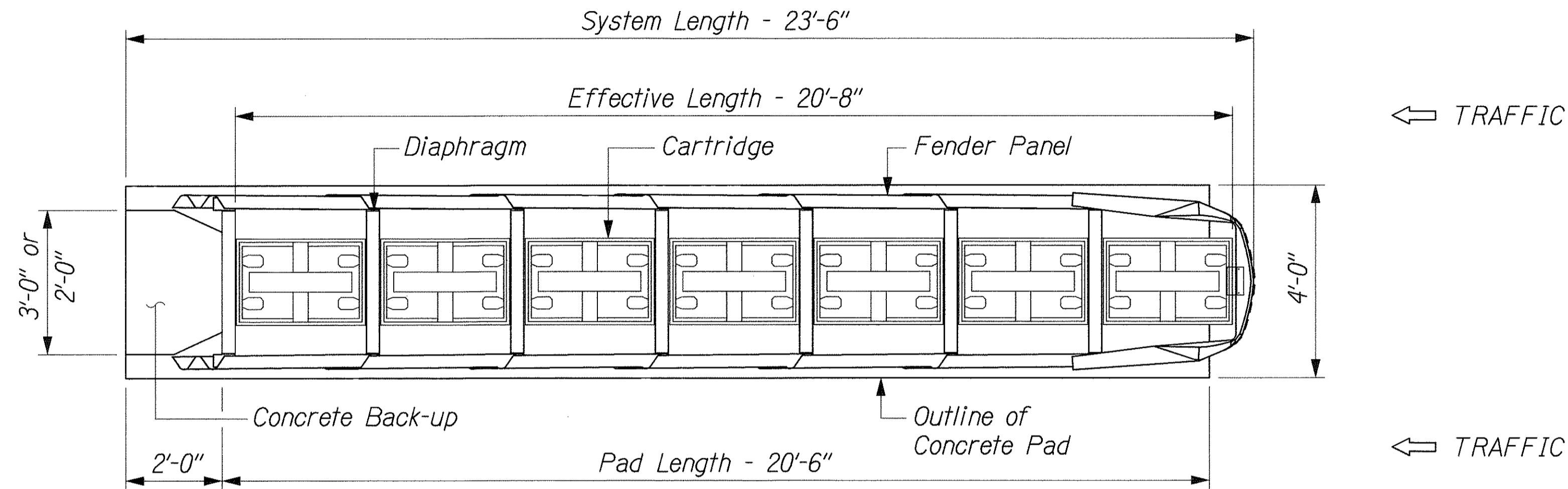
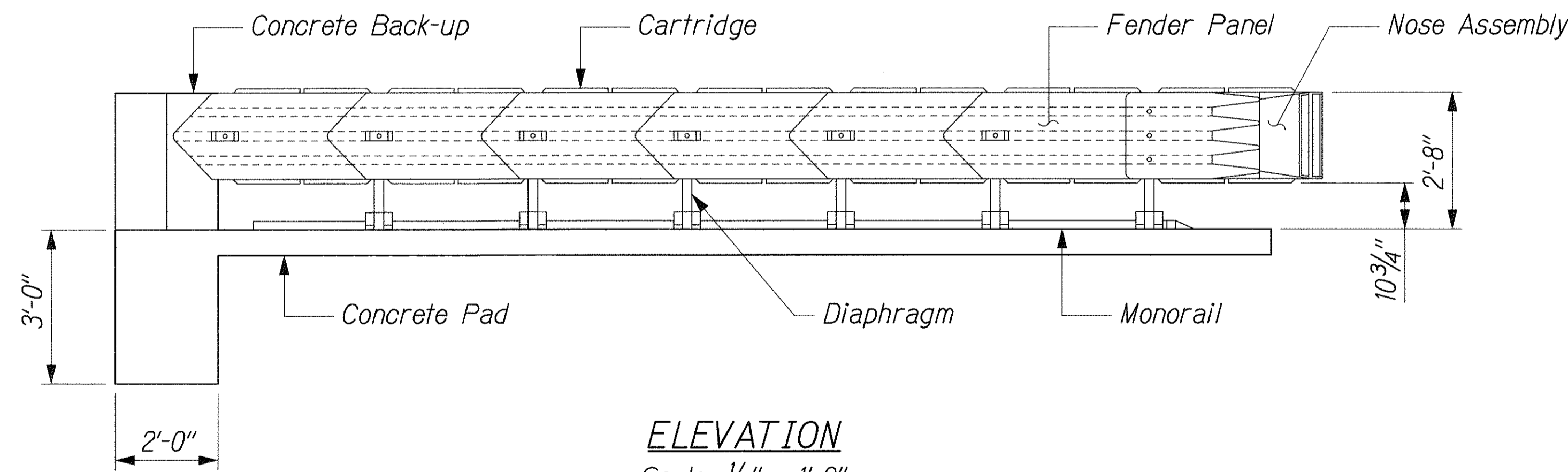


FED. ROAD DIST. NO.	STATE	FEDERAL AID PROJ. NO.	FISCAL YEAR	SHEET NO.	TOTAL SHEETS
HAWAII	HAW.	NH-HI-1(246)	2004	45	105



PLAN
 Scale: 1/2" = 1'-0"



ELEVATION
 Scale: 1/2" = 1'-0"

TERMINAL IMPACT ATTENUATOR

ORIGINAL PLAN	DATE
SURVEY PLOTTED BY	
DRAWN BY	
DESIGNED BY	
CHECKED BY	
NOTE BOOK No.	

31-ZIPPER EXTENSION/STRUCT/ST-DET1.dgn

<p>THIS WORK WAS PREPARED BY ME OR UNDER MY SUPERVISION.</p>	STATE OF HAWAII DEPARTMENT OF TRANSPORTATION HIGHWAYS DIVISION TERMINAL IMPACT ATTENUATOR DETAILS INTERSTATE ROUTE H-1 ZIPPER LANE EXTENSION RADFORD DRIVE OVERPASS TO KEEHI INTERCHANGE FEDERAL AID PROJECT NO. NH-HI-1(246) Scale: As Shown Date: Mar. 2, 2004
	SHEET No. C29 OF 29 SHEETS
	45