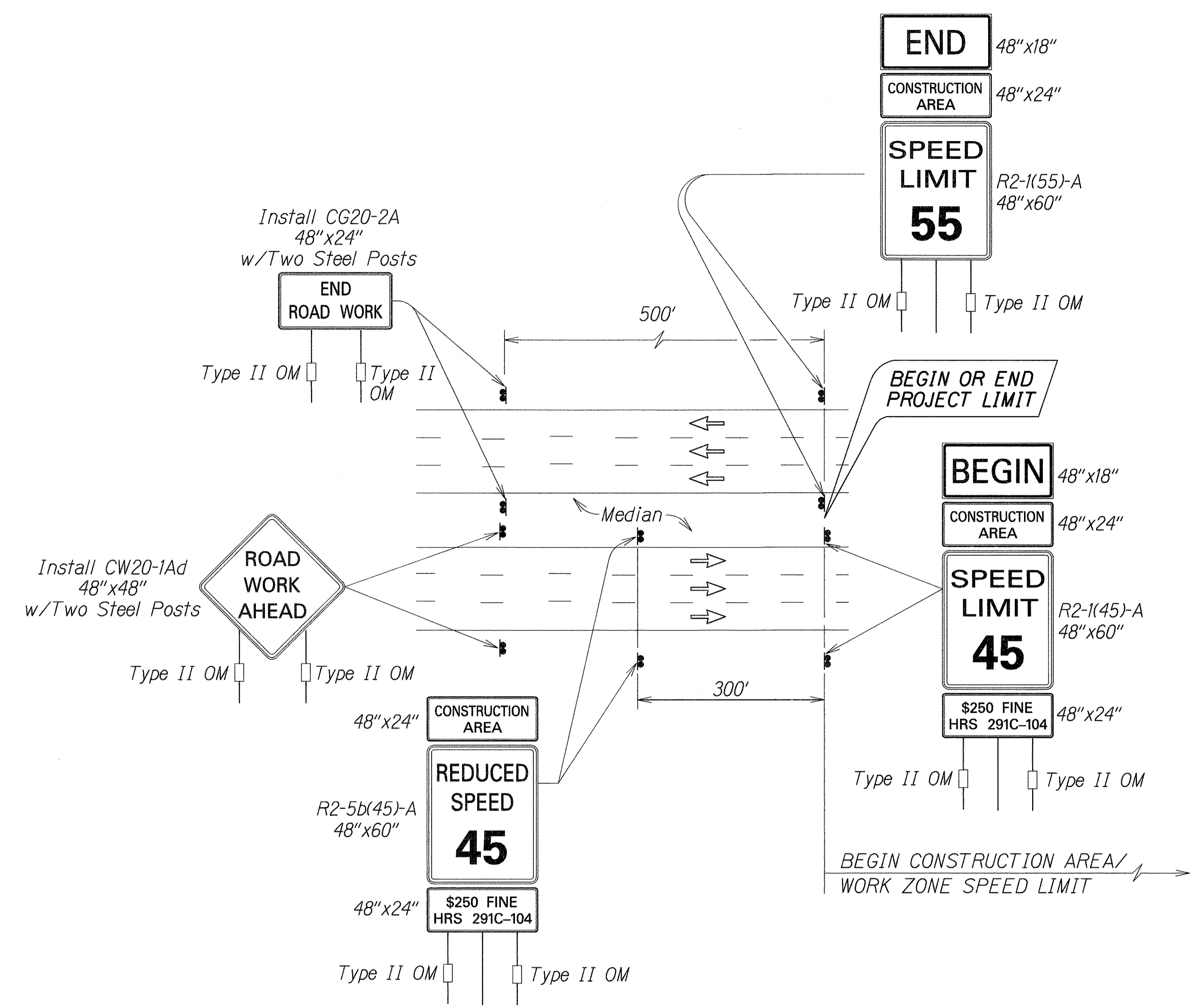
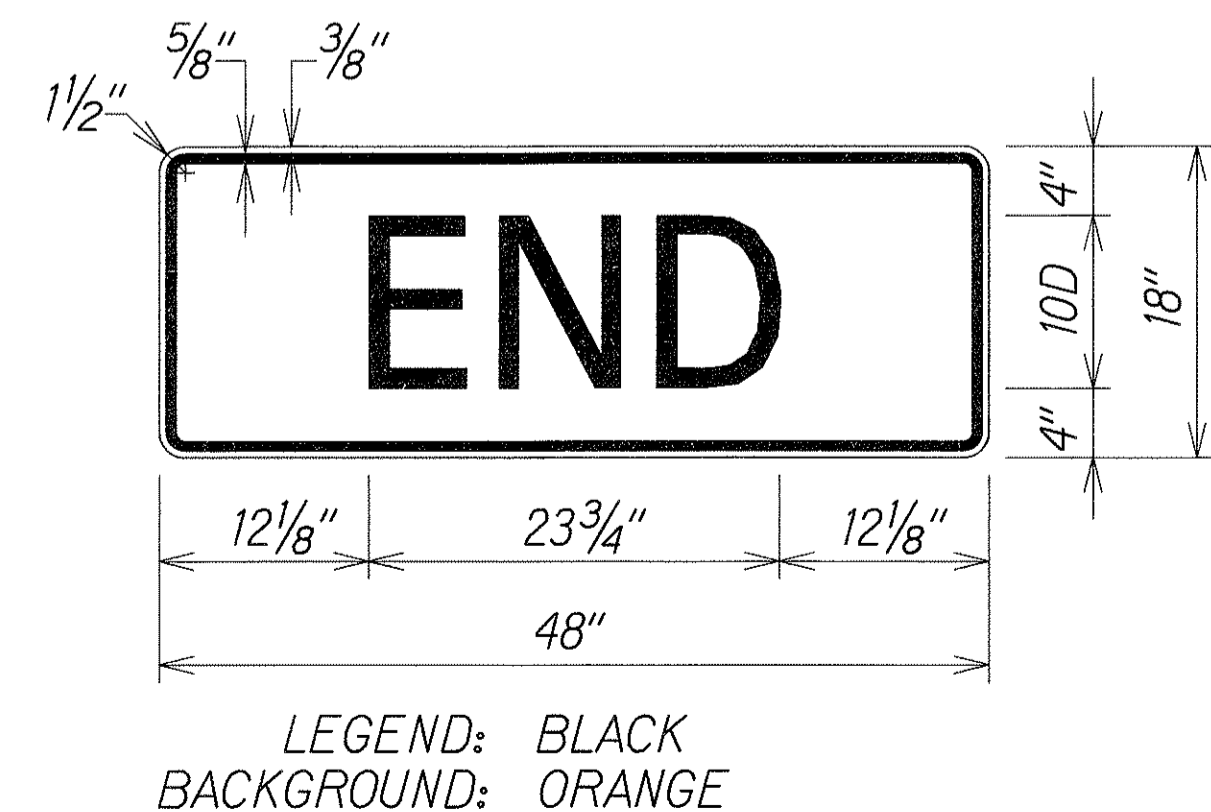
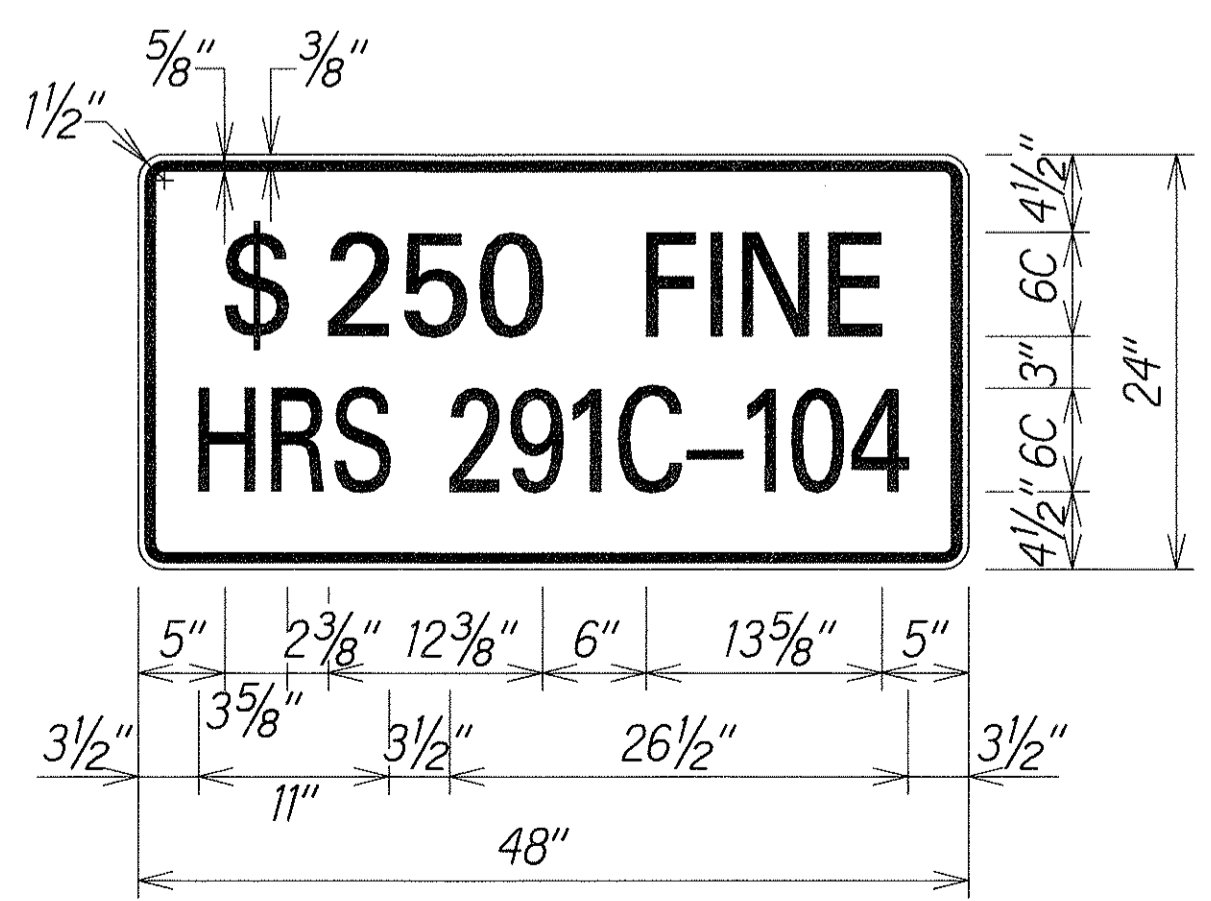
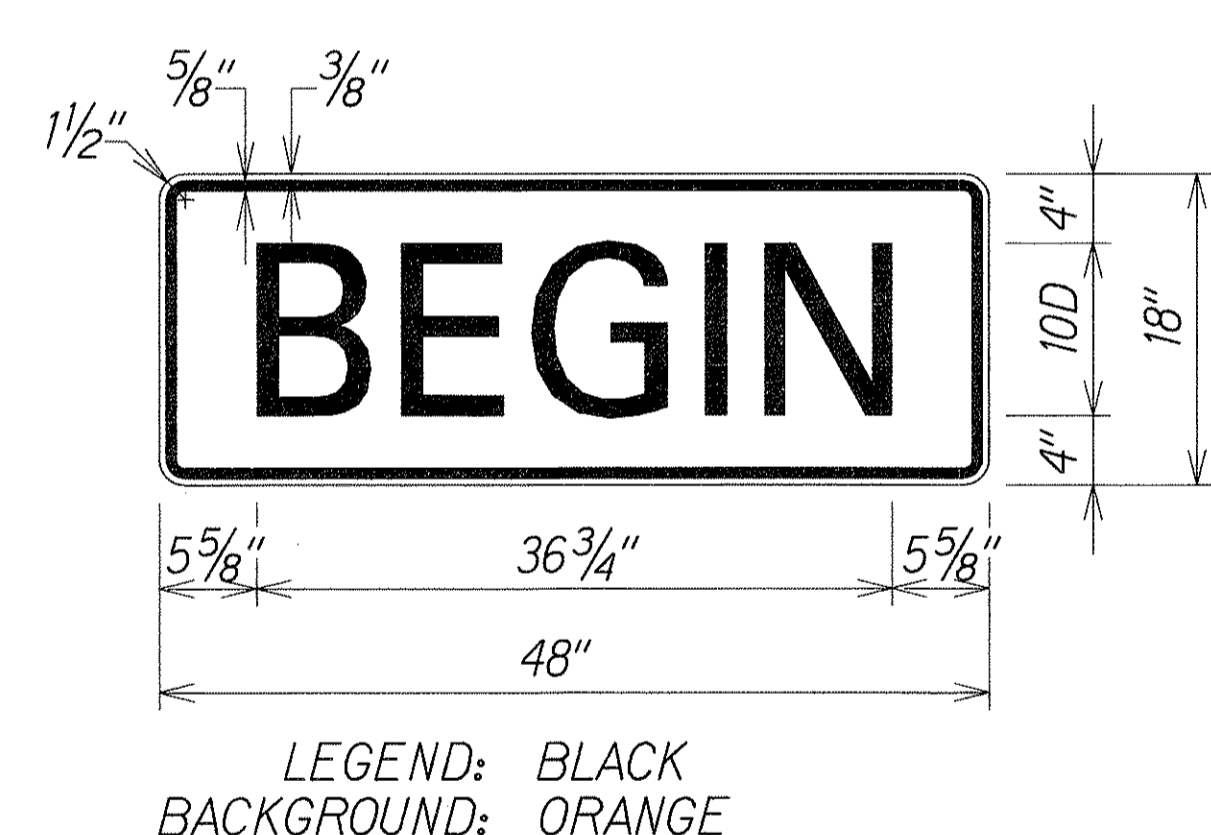
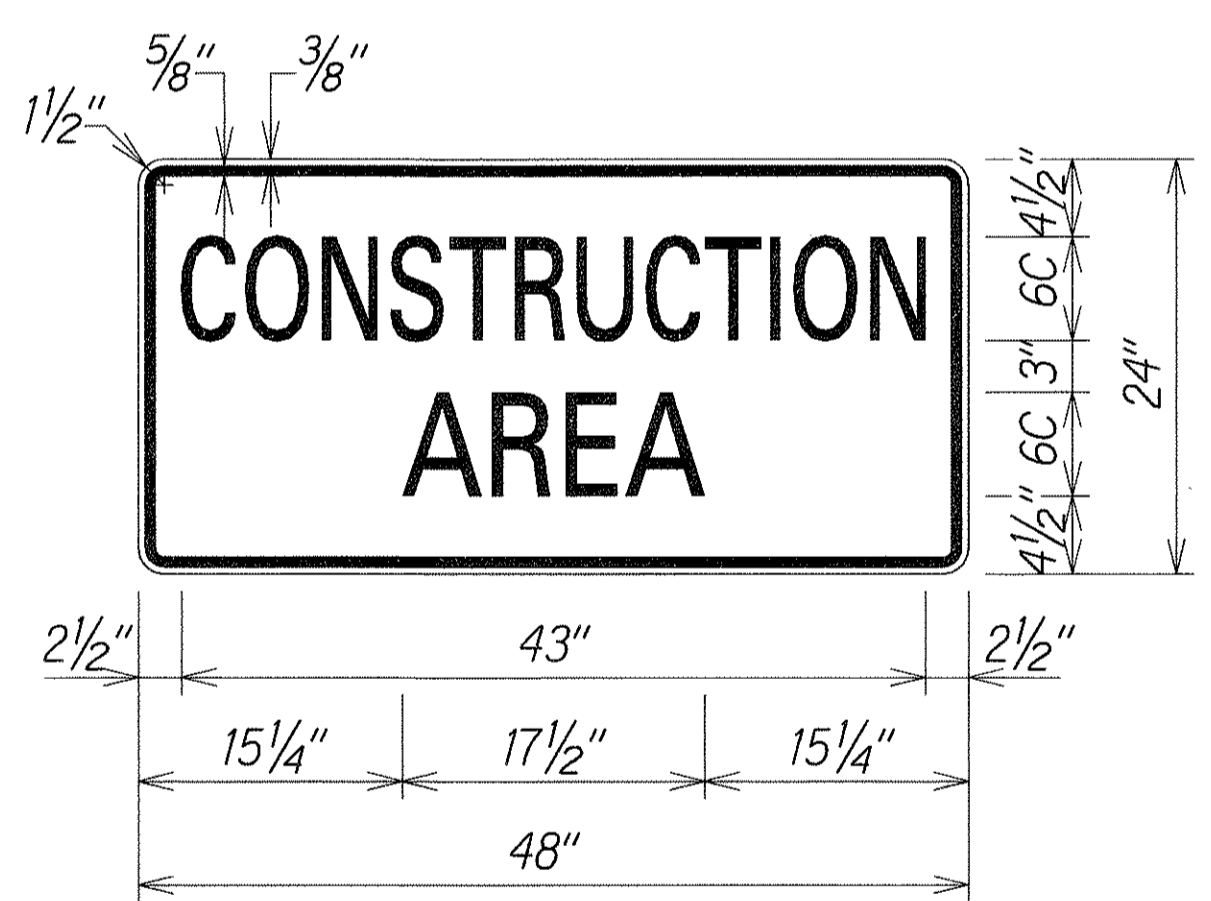


FED. ROAD DIST. NO.	STATE	FEDERAL AID PROJ. NO.	FISCAL YEAR	SHEET NO.	TOTAL SHEETS
HAWAII	HAW.	NH-HI-1(246)	2004	47	105

Work Zone Note:

1. This Work Zone Sign Plan is intended for use on long-term stationary work zones/ construction phases (3 days or more). All work zones or construction phases less than 3 days duration will use Traffic Control Plans shown in Section 645 of the Special Provisions.
2. All existing regulatory speed limit signs within the work zone/project limits shall be covered and work zone speed limit sign assemblies (R2-1(45)-A and R2-5b(45)-A with "CONSTRUCTION AREA" and "\$250 FINE HRS 291C-104" Supplemental Signs) shall be displayed during lane closure hours.
3. Upon removal of the lane closure, all work zone speed limit signs shall be covered and existing speed limit signs within the work zone/project limits shall be restored.
4. Construction signs shall be installed on both the approaching and trailing ends of each work zone.
5. Each construction sign shall have a minimum of two (2) Type II OM. Installation of each Type II OM shall be considered incidental to Item No. 621.7100, Construction Sign with Posts.
6. All work zone speed sign assembly shall be mounted on three (3) 4.00 lbs./ft. galvanized flanged channel sign posts with a sign clearance height of five (5) feet. Sign stiffeners as specified by Standard Plan Sheet TE-02 shall be installed as needed or as directed by the Engineer.
7. The daily covering and uncovering of existing regulatory speed limit signs along with the installation, maintenance, removal and daily covering and uncovering of work zone speed limit sign assemblies shall be considered incidental to Item No. 621.7100, Construction Sign with Posts.



TYPICAL DETAIL FOR CONSTRUCTION SIGNS ON FREEWAY

DATE
SURVEY PLOTTED BY
DRAWN BY
TRACED BY
DESIGNED BY
CHECKED BY
ORIGINAL PLAN
NOTE BOOK

47-ZIPPER EXTENSION/TCP/NOTES.DGN

PERRY M. SMALL
LICENSED PROFESSIONAL ENGINEER
No. 8627-C
HAWAII, U.S.A.

THIS WORK WAS PREPARED BY ME OR UNDER MY SUPERVISION.

STATE OF HAWAII
DEPARTMENT OF TRANSPORTATION
HIGHWAYS DIVISION
FREEWAY WORK ZONE SIGNING
PLAN, NOTES & DETAILS

INTERSTATE ROUTE HI ZIPPER LANE EXTENSION
RADFORD DRIVE OVERPASS TO KEEHI INTERCHANGE
FEDERAL AID PROJECT NO. NH-HI-1(246)

Scale: None Date: Mar. 2, 2004