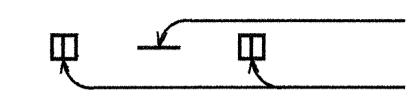
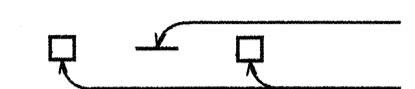









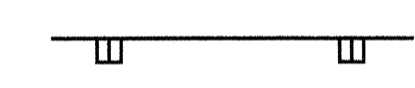

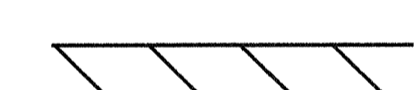
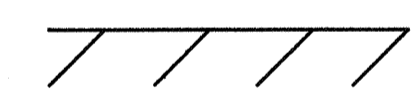


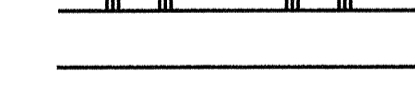


FED. ROAD DIST. NO.	STATE	FED. AID PROJ. NO.	FISCAL YEAR	SHEET NO.	TOTAL SHEETS
HAWAII	HAW.	IM-HI-1(220)	1995	23	37

LEGEND

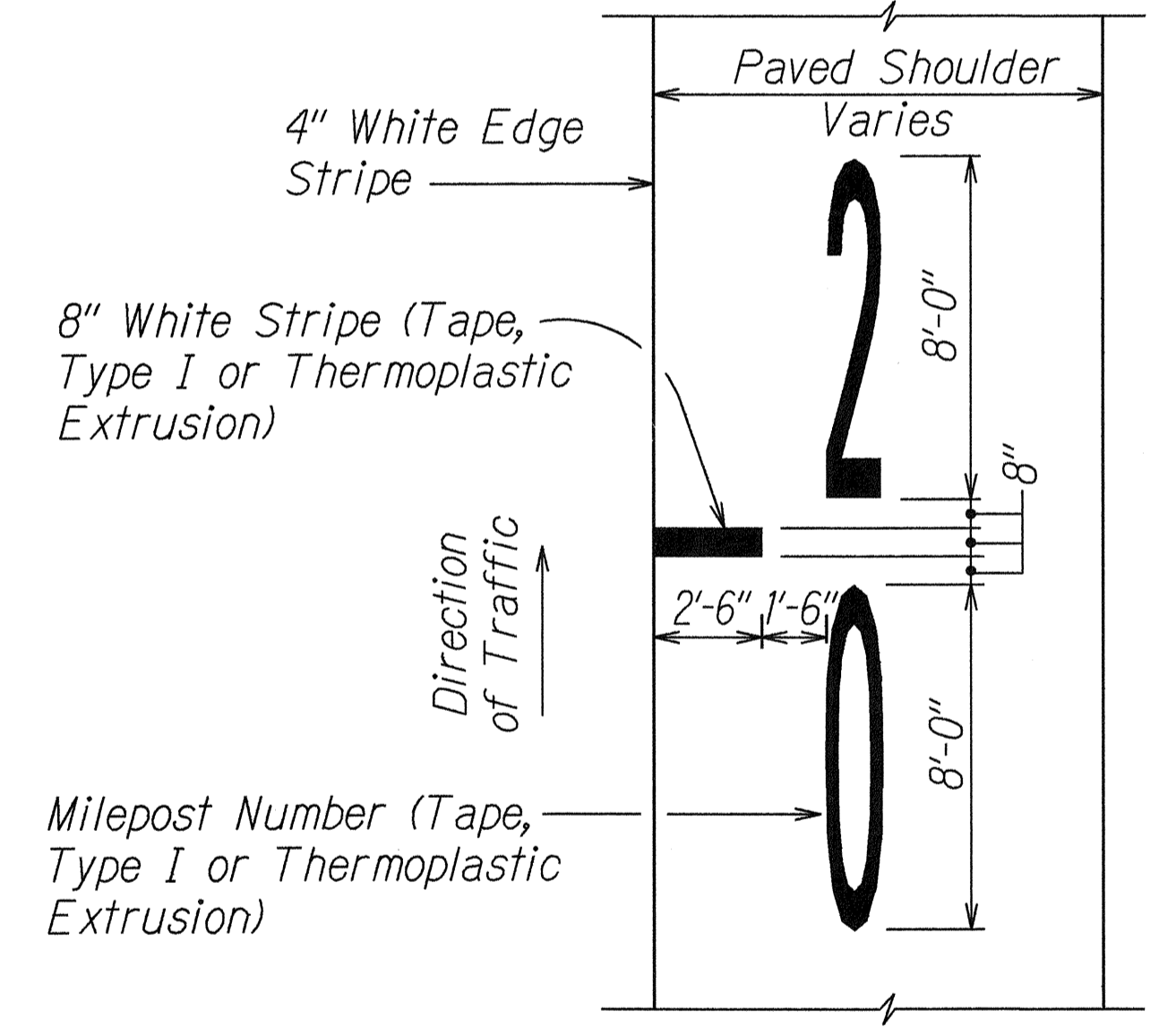
-  4 each Type A Raised Pavement Markers
Type C Raised Pavement Markers @ 40'-0" o.c.
-  4 each Type J Raised Pavement Markers
Type D Raised Pavement Markers @ 40'-0" o.c.
-  8" White Stripe with Type C Raised Pavement Markers @ 20'-0" o.c. (Tape, Type I or Thermoplastic Extrusion)
-  4" Double Solid Yellow with Type D Raised Pavement Markers @ 20'-0" o.c. (Tape, Type I or Thermoplastic Extrusion)
-  4" Double Solid Yellow Stripes with Type H Raised Pavement Markers @ 20'-0" o.c. (Tape, Type II or Thermoplastic Extrusion)
-  4" Yellow Edge Stripe with Type H Raised Pavement Markers @ 40'-0" o.c. (Tape, Type II or Thermoplastic Extrusion)
-  4" Double Solid White Stripes with Type C Raised Pavement Markers @ 20'-0" o.c. (Tape, Type I or Thermoplastic Extrusion)
-  Lane Change Restriction Marking
4 each Type A Raised Pavement Markers
Type C Raised Pavement Markers @ 20'-0" o.c.
4" White Stripe (Tape, Type I or Thermoplastic Extrusion)
-  4" or 8" White Edge Stripe with Type C Raised Pavement Markers @ 40'-0" o.c. (Tape, Type II or Thermoplastic Extrusion)
-  4" White Guide Lines (Tape, Type III or Thermoplastic Extrusion except for bus bays)
-  Transverse Median Marking (Tape, Type II or Thermoplastic Extrusion)
-  Transverse Shoulder Marking (Tape, Type II or Thermoplastic Extrusion)
-  Channelizing Island or Deceleration Lane Gore (Tape, Type II or Thermoplastic Extrusion)
-  Crosswalk and Stop Line. All Stop Lines shall be 10'-0" from Crosswalk unless otherwise noted. The circled number indicates the number of lanes for payment (Tape, Type III or Thermoplastic Extrusion)
-  Pavement Arrow (Tape, Type III or Thermoplastic Extrusion)
-  STOP
Pavement Word (Tape, Type III or Thermoplastic Extrusion)
-  4 Each Type J Raised Pavement Markers
Type D Raised Pavement Markers @ 40'-0" o.c.
Type H Raised Pavement Markers (Reflective Surface facing no-passing direction)
4" Single Solid Yellow Stripe (Tape, Type I or Thermoplastic Extrusion)
-  Extension of Edge Line, 4" Wide x 2'-0" Long White Stripe @ 10'-0" o.c. w/Type C Markers @ 40'-0" o.c. (Tape, Type III or Thermoplastic Extrusion)

NOTES

1. Layout of pavement markings and striping shall be done by the Contractor and approved by the Engineer prior to any installation work.
2. Existing pavement markings not incorporated in the final traffic pattern shall be removed as directed by the Engineer. Costs shall be incidental to the various pavement marking items.
3. Raised pavement markers shall not be installed within crosswalks.
4. Final locations of all signs shall be approved by the Engineer prior to any installation work.
5. Existing signs not shown on these plans shall remain as posted unless otherwise directed by the Engineer. Removal and disposal of existing signs and/or posts as designated on these plans shall be incidental to the various signing items.
6. Final locations of all Stop Lines shall be approved by the Engineer prior to installation.
7. All pavement striping shall be as noted on the legend or plans.
8. All preformed pavement marking tapes over existing pavement shall be applied with an approved primer as recommended by the tape manufacturer and as approved by the Engineer. The primer shall be allowed to dry to the tacky stage prior to tape application.
9. Curb marking shall include top and front face of curb.
10. Backing for all new Regulatory and Warning Signs shall not be spliced.
11. All sign panels shall conform to Section 621 of Special Provisions and the latest editions and amendments of the following FHWA publications:
 - a. "Manual on Uniform Traffic Control Devices for Streets and Highways" (MUTCD)
 - b. "Standard Highway Signs"
 - c. "Standard Alphabets for Highway Signs"
12. Border, messages, arrows, symbols and shields shall conform to details as shown on the plans and as specified in the MUTCD.
13. Sign messages shall be as indicated on the plan.
14. All panels shall be reflectorized in accordance with Section 712.20 of the Standard Specifications. Minimum width of panels shall be 2 feet, abutting edges of panels shall be in only one direction if vertical abutting edges are used, no horizontal abutting edges shall be allowed and vice versa.
15. All new and relocated signs and markers installed on pipe posts, light standard of expressway sign post are to be mounted with band brackets and steel braces.

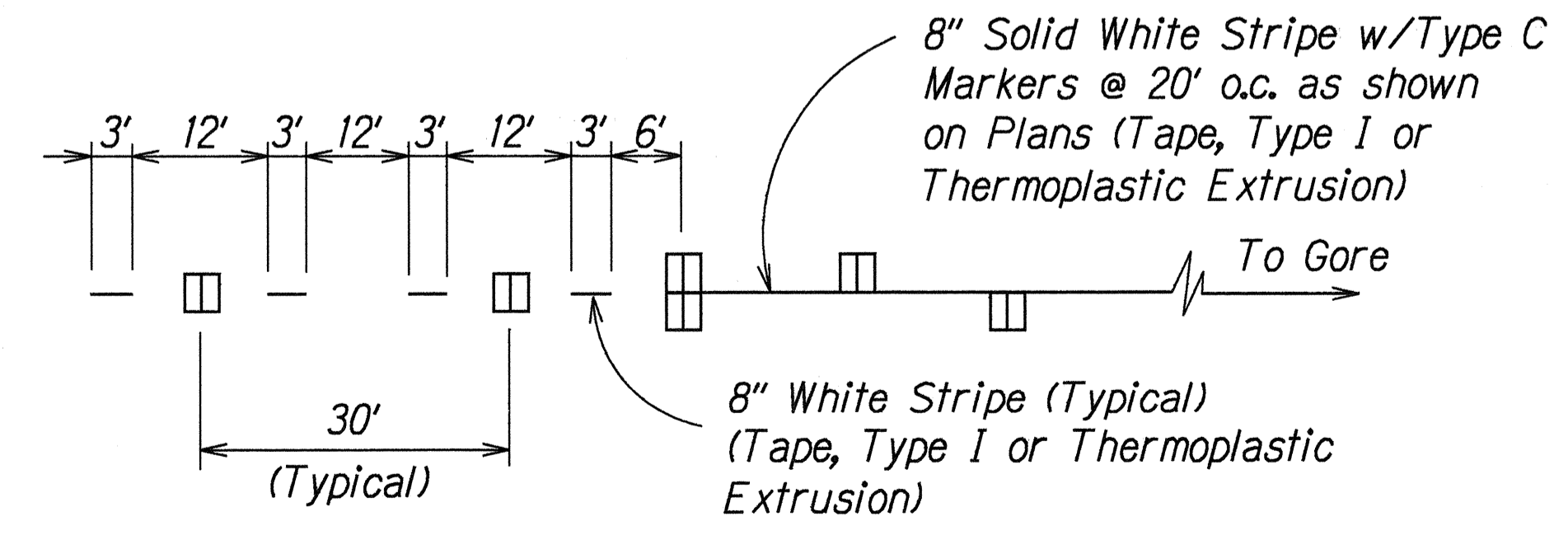
16. All new signs installed on structure abutment, are to be mounted with 3/8" expansion bolt and washer. Existing holes shall be plugged with mortar as required.
17. Final location of all sign post installed within the sidewalk areas shall have a minimum clearance of 36 inches from sidewalk edge.
18. Removing existing signs and reinstalling on new post shall not be paid for separately, but shall be considered incidental to the various signing items.
19. Supplemental plates used in conjunction with regulatory and warning signs shall not be paid for separately, but shall be considered incidental to the regulatory and warning sign.
20. The Contractor shall install construction signs as noted on the plans. At the project completion, these signs and posts shall become the property of the State. The Contractor shall remove and deliver these signs and posts to a location as directed by the Engineer. The contract price shall be full compensation for all excavation and backfilling, for furnishing, installing, removing and delivering all equipment, tools, labor and incidentals necessary to complete the work.

ORIGINAL PLAN	DATE	5/12/95
SURVEY PLOTTED BY		
DRAWN BY		
DESIGNED BY		
CHECKED BY		
NOTE BOOK		
NO. 10/10/10/10		
DRIVING		



NOTE:
Payment to be made under Item NO. 629.1061 - Milepost Pavement Markings (Tape, Type I of Thermoplastic Extrusion)

TYPICAL MILEPOST PAVEMENT MARKINGS DETAIL
Scale: 1/4"=1'-0"

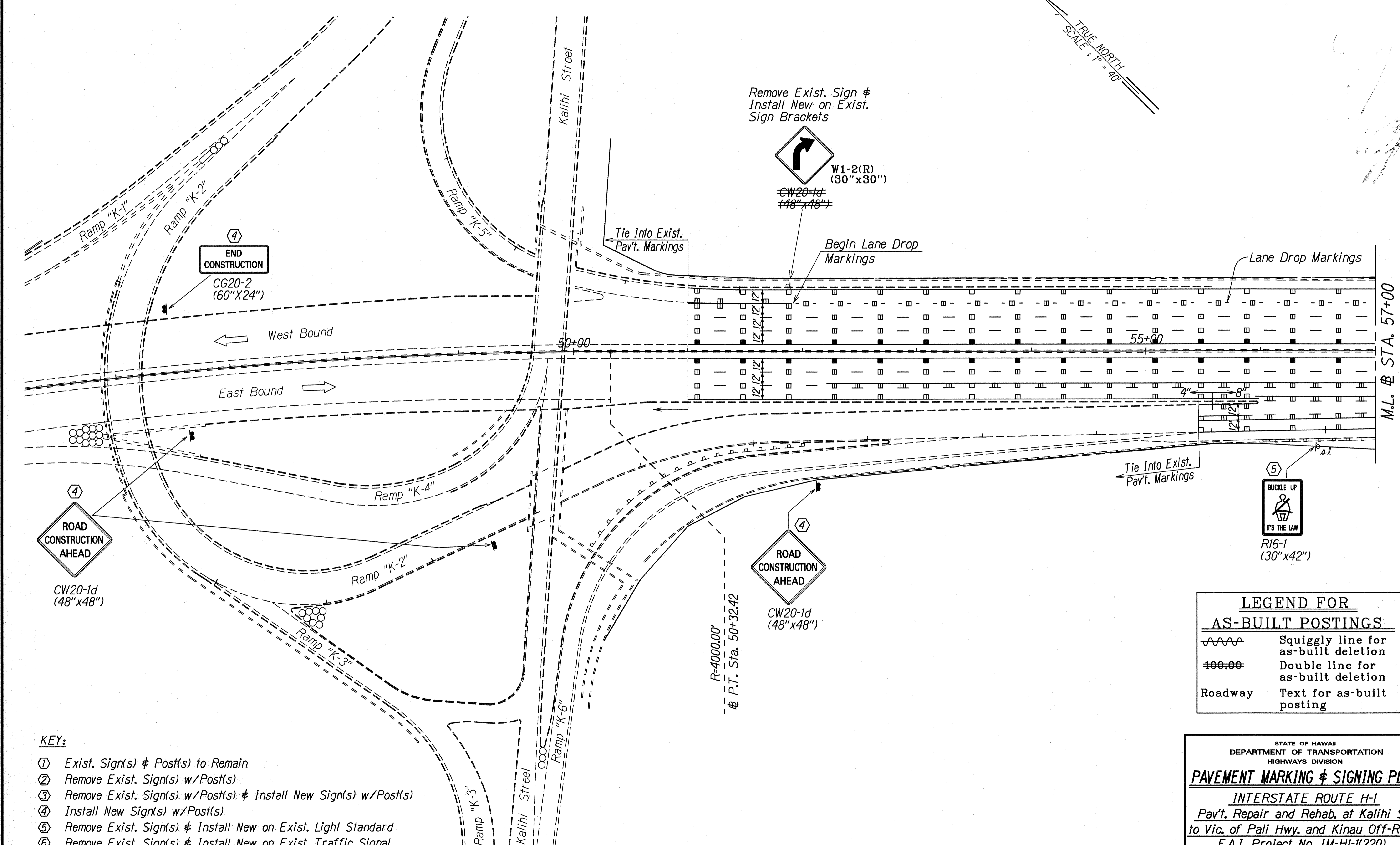


LANE DROP MARKING
Not to Scale

STATE OF HAWAII
DEPARTMENT OF TRANSPORTATION
HIGHWAYS DIVISION
PAVEMENT MARKING
LEGEND, DETAILS & NOTES
INTERSTATE ROUTE H-1
Pav't. Repair and Rehab. at Kalihi St. to Vic. of Pali Hwy. and Kinau Off-Ramp
F.A.I. Project No. IM-HI-1(220)
Scale: As noted Date: May, 1995
SHEET NO. 21 OF 15 SHEETS

FED. ROAD DIST. NO.	STATE	FED. AID PROJ. NO.	FISCAL YEAR	SHEET NO.	TOTAL SHEETS
HAWAII	HAW.	1M-HI-1(220)	1995	24	37

TRUE NORTH
SCALE: 1" = 40'



SURVEY PLOTTED BY: DATE: 3/22/95
DRAWN BY: H. Aili
CHECKED BY: G. Kereh
NOTE BOOK NO. 10410
QUANTITIES BY: D. Hing
CHECKED BY: N.

- KEY:**
- ① Exist. Sign(s) & Post(s) to Remain
 - ② Remove Exist. Sign(s) w/Post(s)
 - ③ Remove Exist. Sign(s) w/Post(s) & Install New Sign(s) w/Post(s)
 - ④ Install New Sign(s) w/Post(s)
 - ⑤ Remove Exist. Sign(s) & Install New on Exist. Light Standard
 - ⑥ Remove Exist. Sign(s) & Install New on Exist. Traffic Signal
 - ⑦ Remove Exist. Sign(s) & Install New on Exist. Post(s)

LEGEND FOR AS-BUILT POSTINGS

	Squiggly line for as-built deletion
	Double line for as-built deletion
Roadway	Text for as-built posting

STATE OF HAWAII
DEPARTMENT OF TRANSPORTATION
HIGHWAYS DIVISION

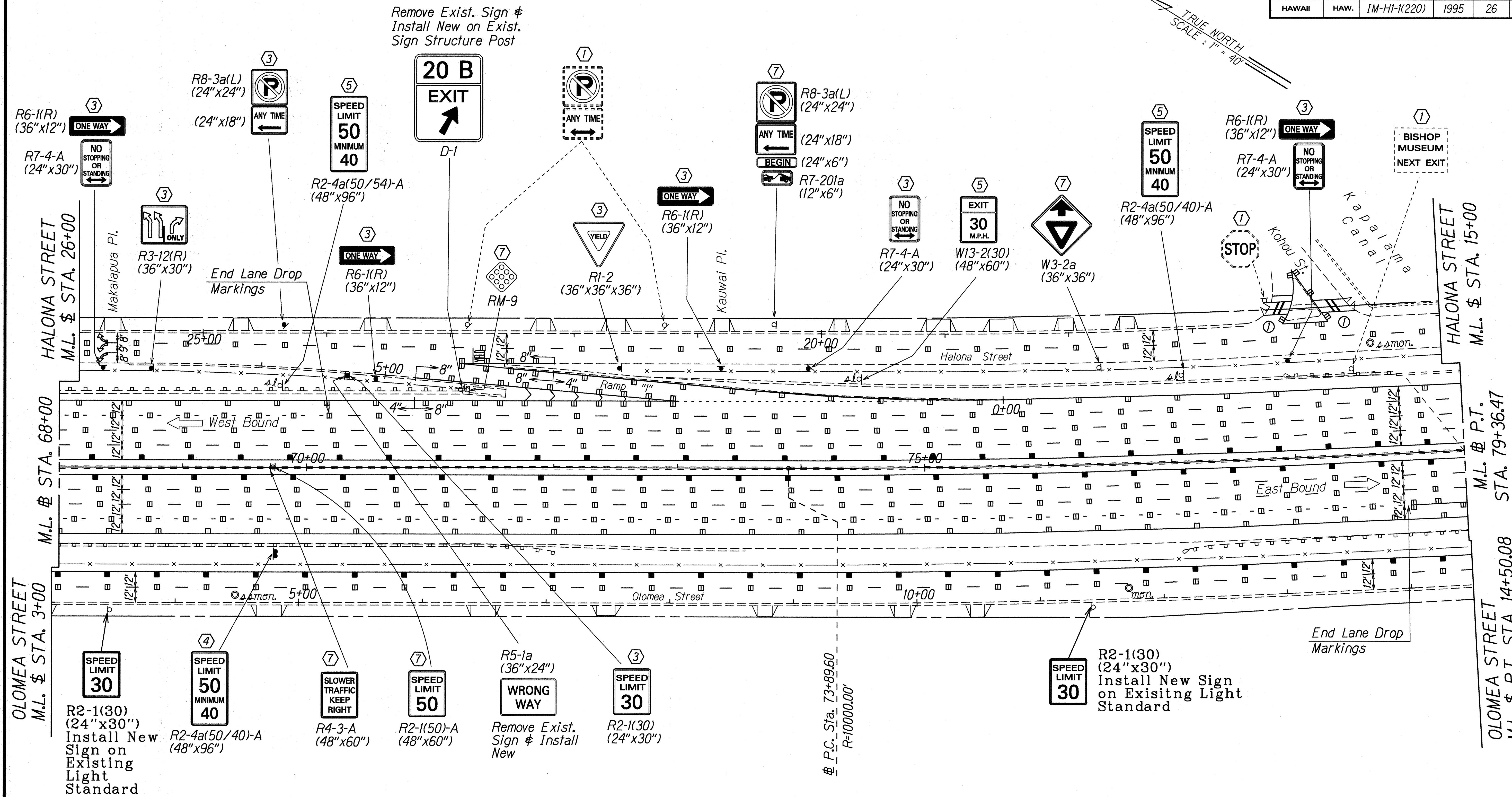
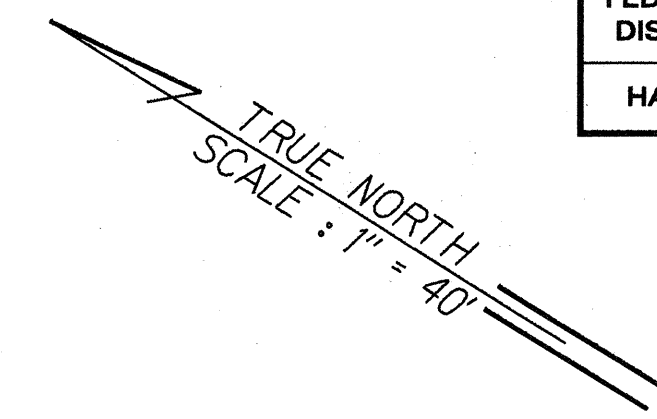
PAVEMENT MARKING & SIGNING PLAN

INTERSTATE ROUTE H-1
Pav't. Repair and Rehab. at Kalihi St. to Vic. of Pali Hwy. and Kinau Off-Ramp
F.A.I. Project No. 1M-HI-1(220)

Scale: 1"=40' Date: May, 1995

SHEET No. T2 OF 15 SHEETS

FED. ROAD DIST. NO.	STATE	FED. AID PROJ. NO.	FISCAL YEAR	SHEET NO.	TOTAL SHEETS
HAWAII	HAW.	IM-HI-1(220)	1995	26	37



- KEY:**
- ① Exist. Sign(s) & Post(s) to Remain
 - ② Remove Exist. Sign(s) w/Post(s)
 - ③ Remove Exist. Sign(s) w/Post(s) & Install New Sign(s) w/Post(s)
 - ④ Install New Sign(s) w/Post(s)
 - ⑤ Remove Exist. Sign(s) & Install New on Exist. Light Standard
 - ⑥ Remove Exist. Sign(s) & Install New on Exist. Traffic Signal
 - ⑦ Remove Exist. Sign(s) & Install New on Exist. Post(s)

LEGEND FOR AS-BUILT POSTINGS

	Squiggly line for as-built deletion
	Double line for as-built deletion
Roadway	Text for as-built posting

DATE	4/26/95
SURVEY PLOTTED BY	
DRAWN BY	A. Ahi
TRACED BY	G. Kaitani
QUANTIFIED BY	
CHECKED BY	
ORIGINAL PLAN	
NOTE BOOK	
NO. BY	
NO. SHEETS	

STATE OF HAWAII
DEPARTMENT OF TRANSPORTATION
HIGHWAYS DIVISION

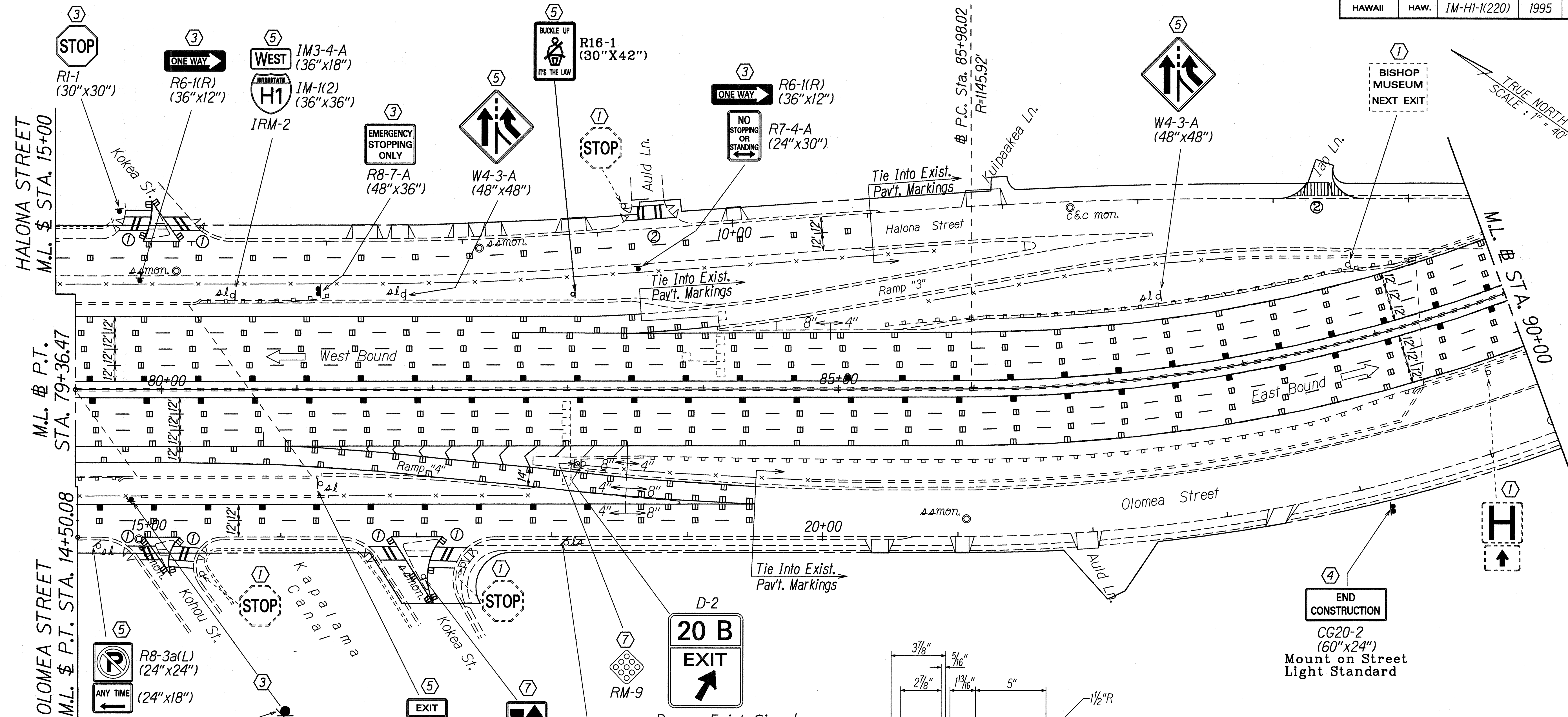
PAVEMENT MARKING & SIGNING PLAN

INTERSTATE ROUTE H-1
Pav't. Repair and Rehab. at Kalihi St.
to Vic. of Pali Hwy. and Kinau Off-Ramp
F.A.I. Project No. IM-HI-1(220)

Scale: 1"=40' Date: April 1995

SHEET No. 26 OF 15 SHEETS

FED. ROAD DIST. NO.	STATE	FED. AID PROJ. NO.	FISCAL YEAR	SHEET NO.	TOTAL SHEETS
HAWAII	HAW.	IM-HI-1(220)	1995	27	37



ORIGINAL PLAN	DATE
SURVEY PLOTTED BY	4/1/95
DRAWN BY	J. Masimani
DESIGNED BY	M. Durakala
QUANTITIES BY	064/Person
CHECKED BY	S. Shioda

- KEY:**
- ① Exist. Sign(s) & Post(s) to Remain
 - ② Remove Exist. Sign(s) w/Post(s)
 - ③ Remove Exist. Sign(s) w/Post(s) & Install New Sign(s) w/Post(s)
 - ④ Install New Sign(s) w/Post(s)
 - ⑤ Remove Exist. Sign(s) & Install New on Exist. Light Standard
 - ⑥ Remove Exist. Sign(s) & Install New on Exist. Traffic Signal
 - ⑦ Remove Exist. Sign(s) & Install New on Exist. Post(s)

LEGEND FOR AS-BUILT POSTINGS

	Squiggly line for as-built deletion
	Double line for as-built deletion
Roadway	Text for as-built posting



④ END CONSTRUCTION
CG20-2 (60"x24")
Mount on Street Light Standard

STATE OF HAWAII
DEPARTMENT OF TRANSPORTATION
HIGHWAYS DIVISION

PAVEMENT MARKING & SIGNING PLAN

INTERSTATE ROUTE H-1
Pav't. Repair and Rehab. at Kalihi St.
to Vic. of Pali Hwy. and Kinau Off-Ramp
F.A.I. Project No. IM-HI-1(220)

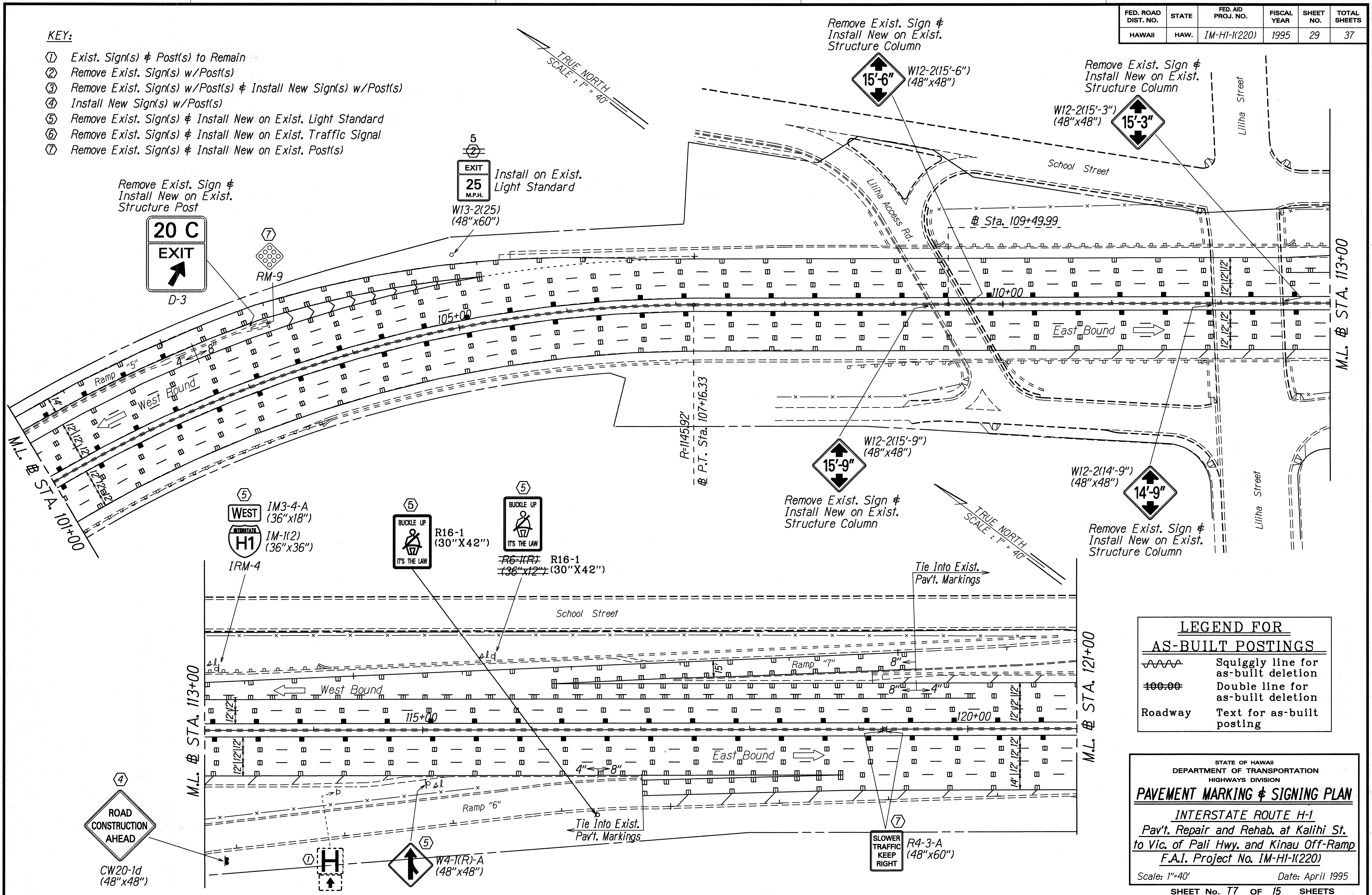
Scale: 1"=40' Date: April 1995

SHEET No. T5 OF 15 SHEETS

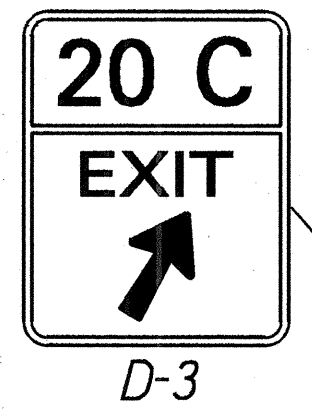
FED. ROAD DIST. NO.	STATE	FED. AID PROJ. NO.	FISCAL YEAR	SHEET NO.	TOTAL SHEETS
HAWAII	HAW.	IM-HI-1(220)	1995	29	37

KEY:

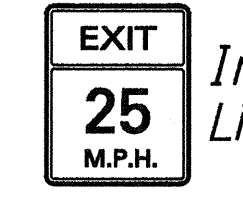
- ① Exist. Sign(s) & Post(s) to Remain
- ② Remove Exist. Sign(s) w/Post(s)
- ③ Remove Exist. Sign(s) w/Post(s) & Install New Sign(s) w/Post(s)
- ④ Install New Sign(s) w/Post(s)
- ⑤ Remove Exist. Sign(s) & Install New on Exist. Light Standard
- ⑥ Remove Exist. Sign(s) & Install New on Exist. Traffic Signal
- ⑦ Remove Exist. Sign(s) & Install New on Exist. Post(s)



Remove Exist. Sign & Install New on Exist. Structure Post



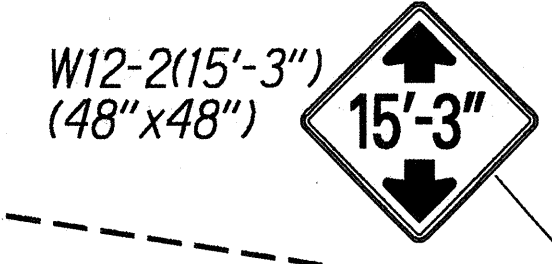
Install on Exist. Light Standard



Remove Exist. Sign & Install New on Exist. Structure Column



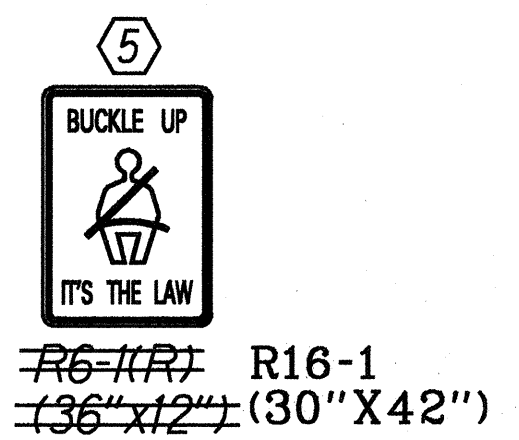
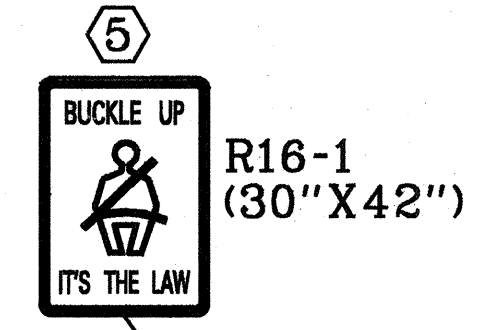
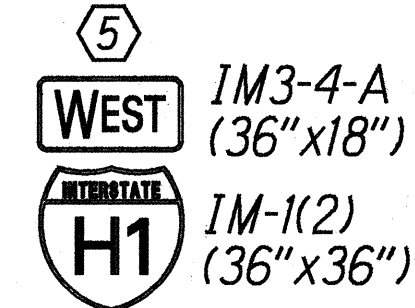
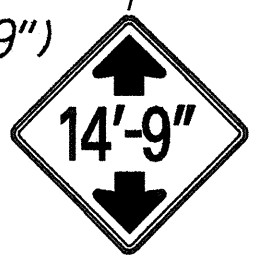
Remove Exist. Sign & Install New on Exist. Structure Column



Remove Exist. Sign & Install New on Exist. Structure Column

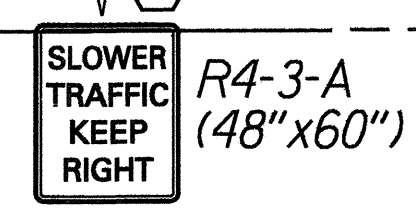


Remove Exist. Sign & Install New on Exist. Structure Column



Tie Into Exist. Pav't. Markings

Tie Into Exist. Pav't. Markings



LEGEND FOR AS-BUILT POSTINGS

	Squiggly line for as-built deletion
	Double line for as-built deletion
Roadway	Text for as-built posting

STATE OF HAWAII
DEPARTMENT OF TRANSPORTATION
HIGHWAYS DIVISION

PAVEMENT MARKING & SIGNING PLAN

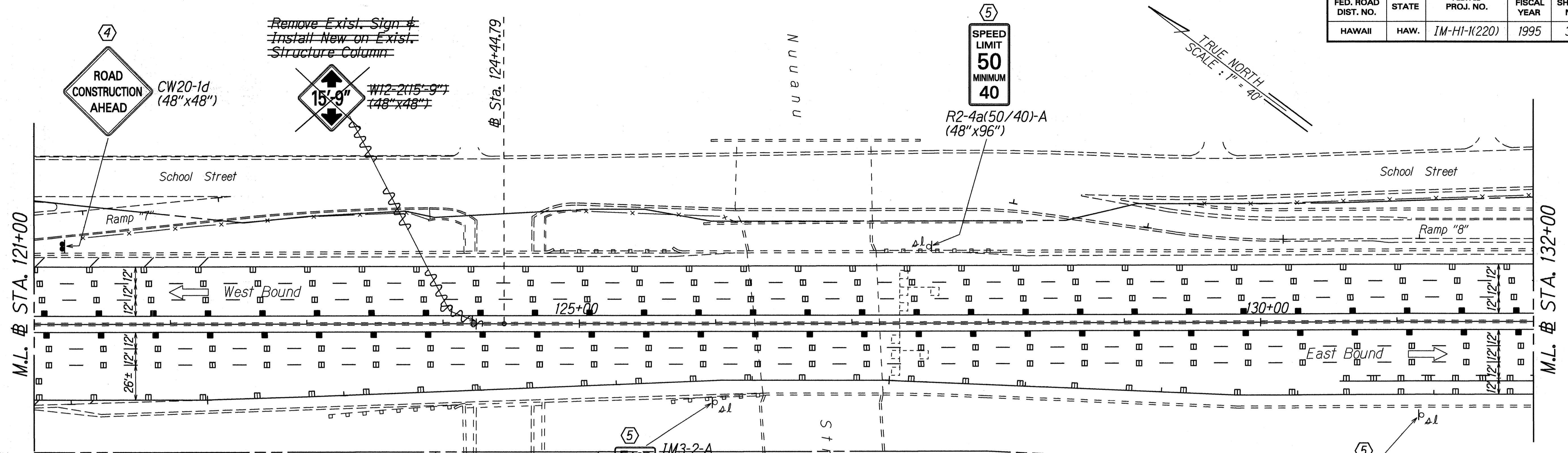
INTERSTATE ROUTE H-1
Pav't. Repair and Rehab. at Kalihī St. to Vic. of Pali Hwy. and Kināu Off-Ramp
F.A.I. Project No. IM-HI-1(220)

Scale: 1"=40' Date: April 1995

SHEET No. 27 OF 15 SHEETS

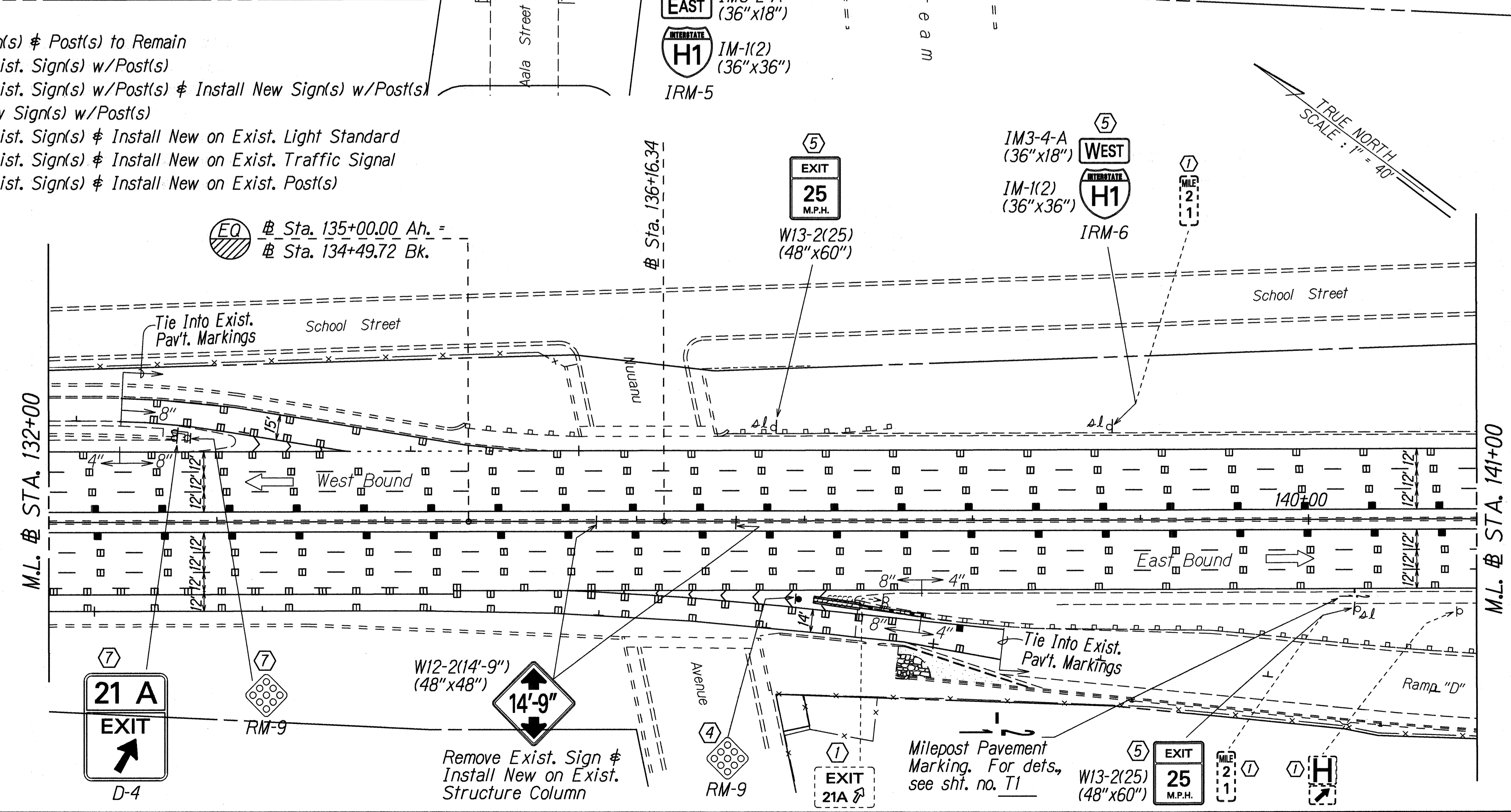
SURVEY PLOTTED BY	DATE
DRAWN BY	
NOTES BOOK	
QUANTITIES BY	
CHECKED BY	

FED. ROAD DIST. NO.	STATE	FED. AID PROJ. NO.	FISCAL YEAR	SHEET NO.	TOTAL SHEETS
HAWAII	HAW.	1M-HI-K220	1995	30	37



KEY:

- ① Exist. Sign(s) & Post(s) to Remain
- ② Remove Exist. Sign(s) w/Post(s)
- ③ Remove Exist. Sign(s) w/Post(s) & Install New Sign(s) w/Post(s)
- ④ Install New Sign(s) w/Post(s)
- ⑤ Remove Exist. Sign(s) & Install New on Exist. Light Standard
- ⑥ Remove Exist. Sign(s) & Install New on Exist. Traffic Signal
- ⑦ Remove Exist. Sign(s) & Install New on Exist. Post(s)



LEGEND FOR AS-BUILT POSTINGS

	Squiggly line for as-built deletion
	Double line for as-built deletion
Roadway	Text for as-built posting

STATE OF HAWAII
DEPARTMENT OF TRANSPORTATION
HIGHWAYS DIVISION

PAVEMENT MARKING & SIGNING PLAN

INTERSTATE ROUTE H-1
Pav't. Repair and Rehab. at Kalihi St. to Vic. of Pali Hwy. and Kinau Off-Ramp
F.A.I. Project No. 1M-HI-K220

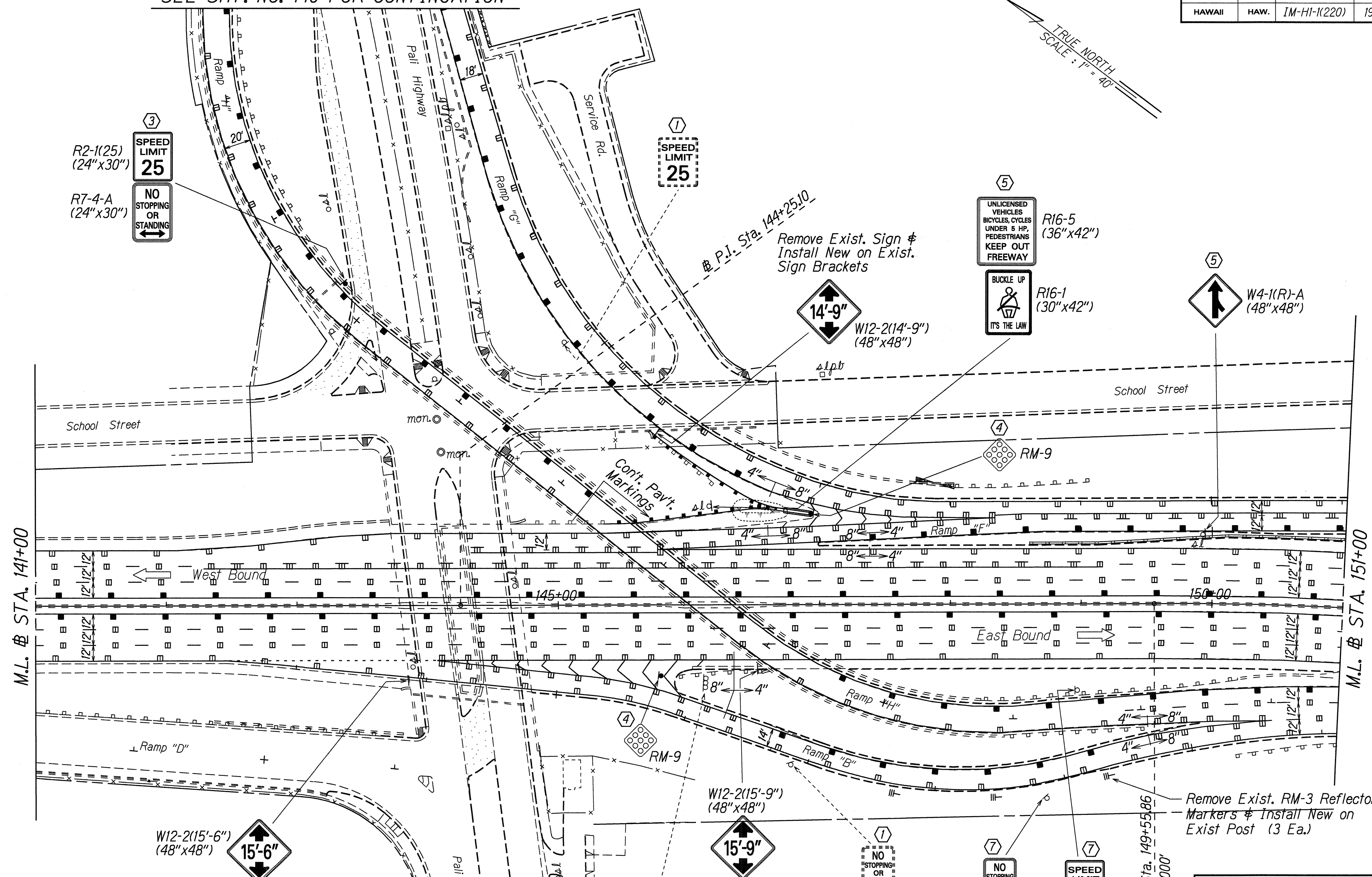
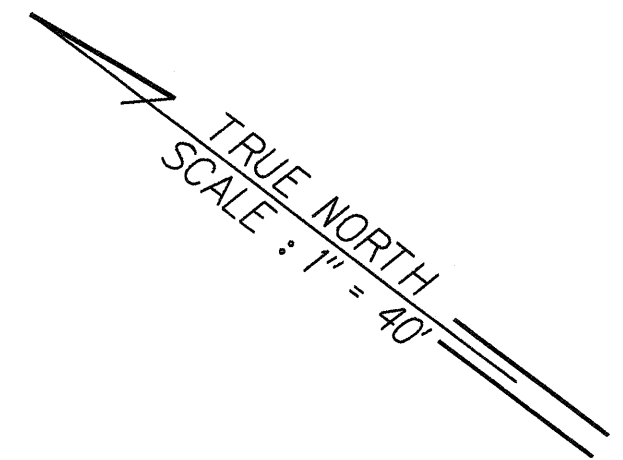
Scale: 1"=40' Date: April 1995

SHEET No. 78 OF 15 SHEETS

SURVEY PLOTTED BY	DATE
DRAWN BY	4/28/95
TRACED BY	
NOTED BY	
QUANTIFIED BY	
CHECKED BY	
ORIGINAL PLAN	
NOTE BOOK	
NO. 100	
NO. 200	
NO. 300	
NO. 400	
NO. 500	
NO. 600	
NO. 700	
NO. 800	
NO. 900	
NO. 1000	

SEE SHT. NO. T10 FOR CONTINUATION

FED. ROAD DIST. NO.	STATE	FED. AID PROJ. NO.	FISCAL YEAR	SHEET NO.	TOTAL SHEETS
HAWAII	HAW.	IM-HI-1(220)	1995	31	37



KEY:

- ① Exist. Sign(s) & Post(s) to Remain
- ② Remove Exist. Sign(s) w/Post(s)
- ③ Remove Exist. Sign(s) w/Post(s) & Install New Sign(s) w/Post(s)
- ④ Install New Sign(s) w/Post(s)
- ⑤ Remove Exist. Sign(s) & Install New on Exist. Light Standard
- ⑥ Remove Exist. Sign(s) & Install New on Exist. Traffic Signal
- ⑦ Remove Exist. Sign(s) & Install New on Exist. Post(s)

Remove Exist. Sign & Install New on Exist. Bridge Abutment

Remove Exist. Sign & Install New on Exist. Sign Brackets

Remove Exist. RM-3 Reflector Markers & Install New on Exist Post (3 Ea.)

SURVEY PLOTTED BY	DATE
DRAWN BY	4/20/95
NOTES BOOK	
QUANTITIES BY	
CHECKED BY	

STATE OF HAWAII
DEPARTMENT OF TRANSPORTATION
HIGHWAYS DIVISION

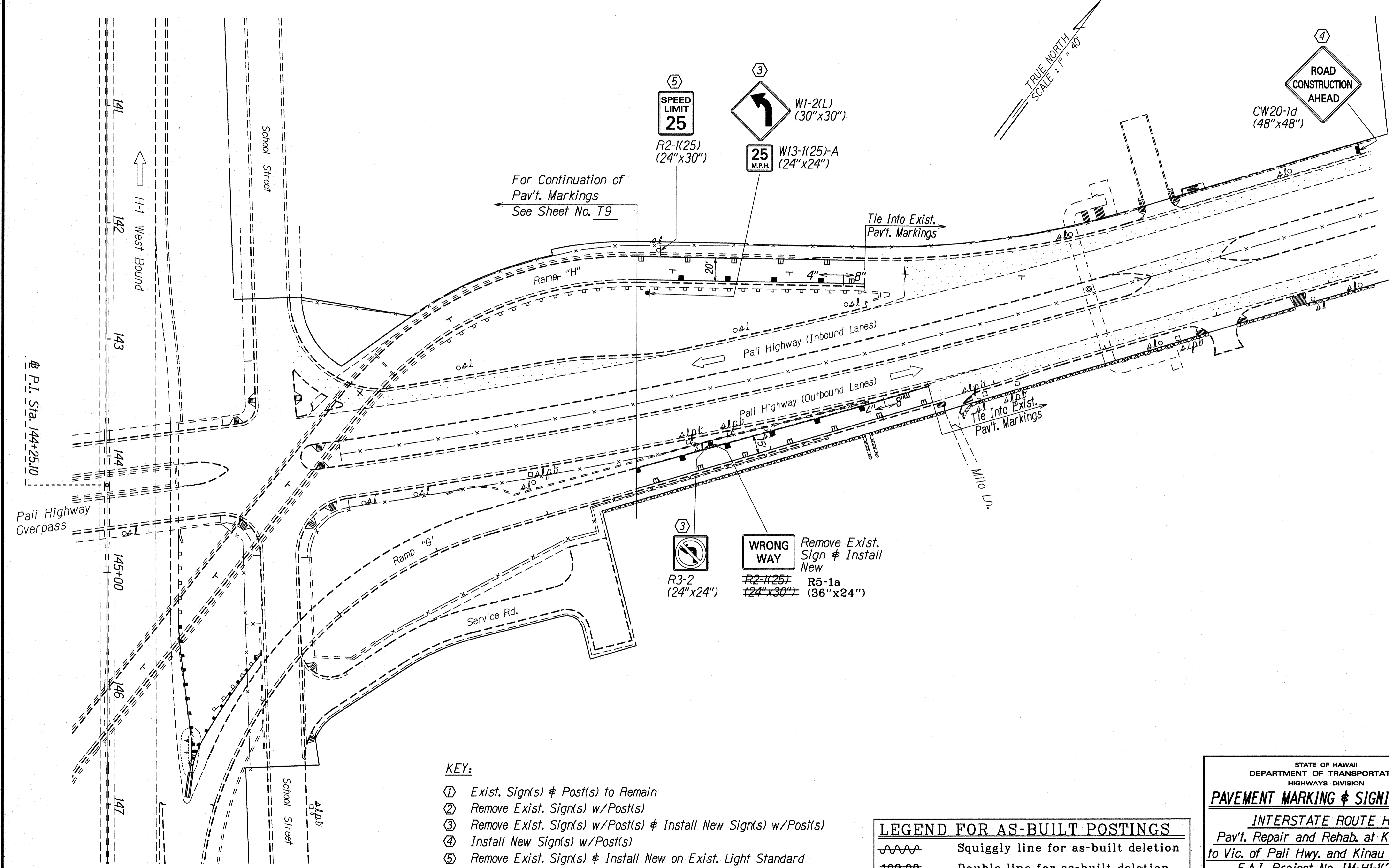
PAVEMENT MARKING & SIGNING PLAN

INTERSTATE ROUTE H-1
Pav't. Repair and Rehab. at Kalihi St.
to Vic. of Pali Hwy. and Kinau Off-Ramp
F.A.I. Project No. IM-HI-1(220)

Scale: 1"=40' Date: May, 1995

SHEET No. T9 OF 15 SHEETS

FED. ROAD DIST. NO.	STATE	FED. AID PROJ. NO.	FISCAL YEAR	SHEET NO.	TOTAL SHEETS
HAWAII	HAW.	1M-HI-1(220)	1995	32	37



SURVEY PLOTTED BY	DATE
DRAWN BY	4/20/95
TRACED BY	
QUANTIFIED BY	
CHECKED BY	
ORIGINAL PLAN	
NOTE BOOK	
NO. _____	

- KEY:**
- ① Exist. Sign(s) & Post(s) to Remain
 - ② Remove Exist. Sign(s) w/Post(s)
 - ③ Remove Exist. Sign(s) w/Post(s) & Install New Sign(s) w/Post(s)
 - ④ Install New Sign(s) w/Post(s)
 - ⑤ Remove Exist. Sign(s) & Install New on Exist. Light Standard
 - ⑥ Remove Exist. Sign(s) & Install New on Exist. Traffic Signal
 - ⑦ Remove Exist. Sign(s) & Install New on Exist. Post(s)

LEGEND FOR AS-BUILT POSTINGS	
	Squiggly line for as-built deletion
	Double line for as-built deletion
Roadway	Text for as-built posting

STATE OF HAWAII
DEPARTMENT OF TRANSPORTATION
HIGHWAYS DIVISION

PAVEMENT MARKING & SIGNING PLAN

*INTERSTATE ROUTE H-1
Pav't. Repair and Rehab. at Kalihi St.
to Vic. of Pali Hwy. and Kinau Off-Ramp
F.A.I. Project No. 1M-HI-1(220)*

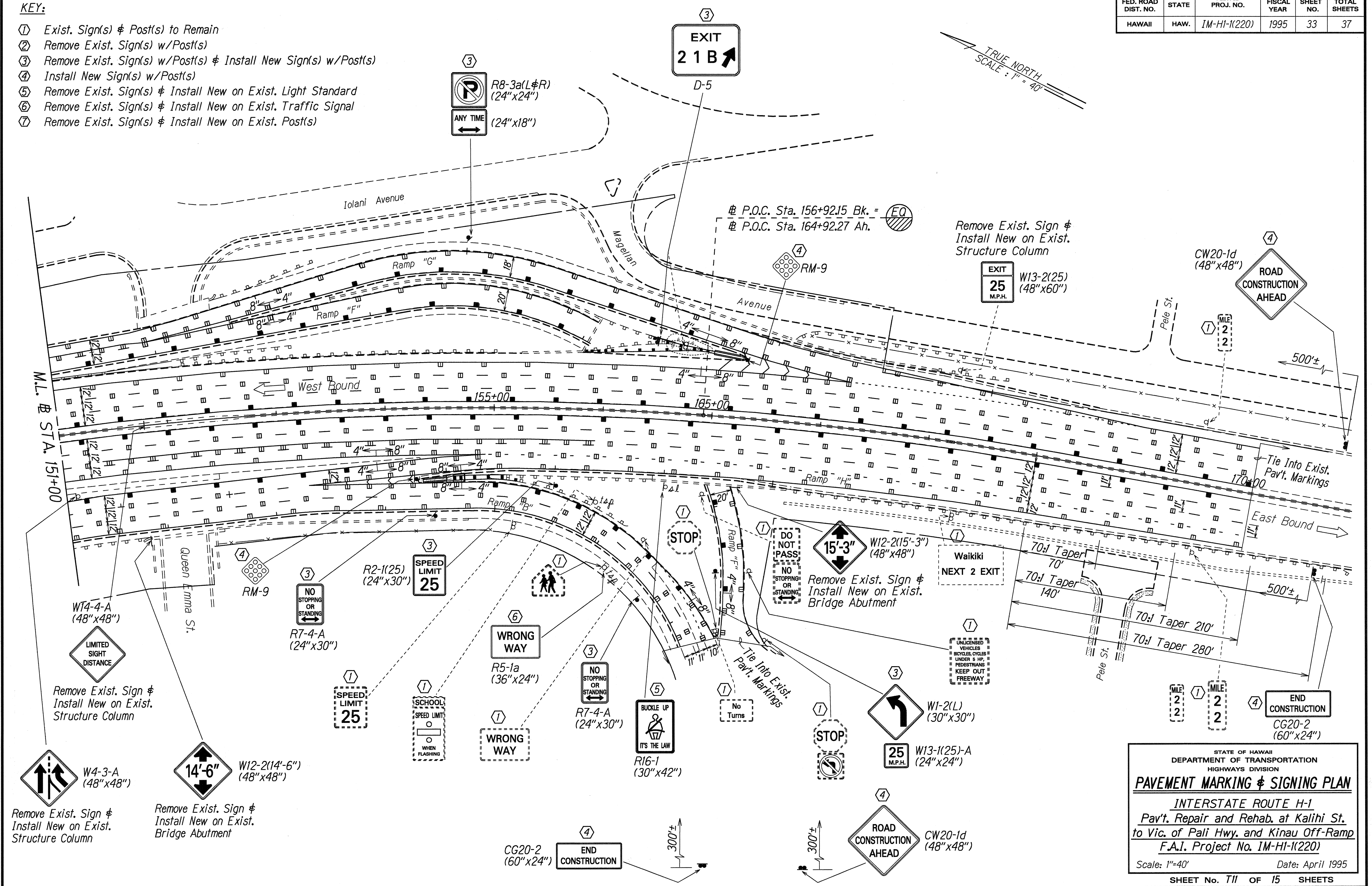
Scale: 1"=40' Date: May, 1995

SHEET No. T10 OF 15 SHEETS

FED. ROAD DIST. NO.	STATE	FED. AID PROJ. NO.	FISCAL YEAR	SHEET NO.	TOTAL SHEETS
HAWAII	HAW.	1M-HI-1(220)	1995	33	37

KEY:

- ① Exist. Sign(s) & Post(s) to Remain
- ② Remove Exist. Sign(s) w/Post(s)
- ③ Remove Exist. Sign(s) w/Post(s) & Install New Sign(s) w/Post(s)
- ④ Install New Sign(s) w/Post(s)
- ⑤ Remove Exist. Sign(s) & Install New on Exist. Light Standard
- ⑥ Remove Exist. Sign(s) & Install New on Exist. Traffic Signal
- ⑦ Remove Exist. Sign(s) & Install New on Exist. Post(s)



SURVEY PLOTTED BY: DATE: 4/28/95
 DRAWN BY: J. Hill
 TRACED BY: G. Kashi
 NOTE BOOK: to/ruby
 QUANTITIES BY: b/hypad
 CHECKED BY: N.

STATE OF HAWAII
 DEPARTMENT OF TRANSPORTATION
 HIGHWAYS DIVISION
PAVEMENT MARKING & SIGNING PLAN
 INTERSTATE ROUTE H-1
 Pav't. Repair and Rehab. at Kalihi St.
 to Vic. of Pali Hwy. and Kinau Off-Ramp
 F.A.I. Project No. 1M-HI-1(220)
 Scale: 1"=40' Date: April 1995
 SHEET No. 111 OF 15 SHEETS

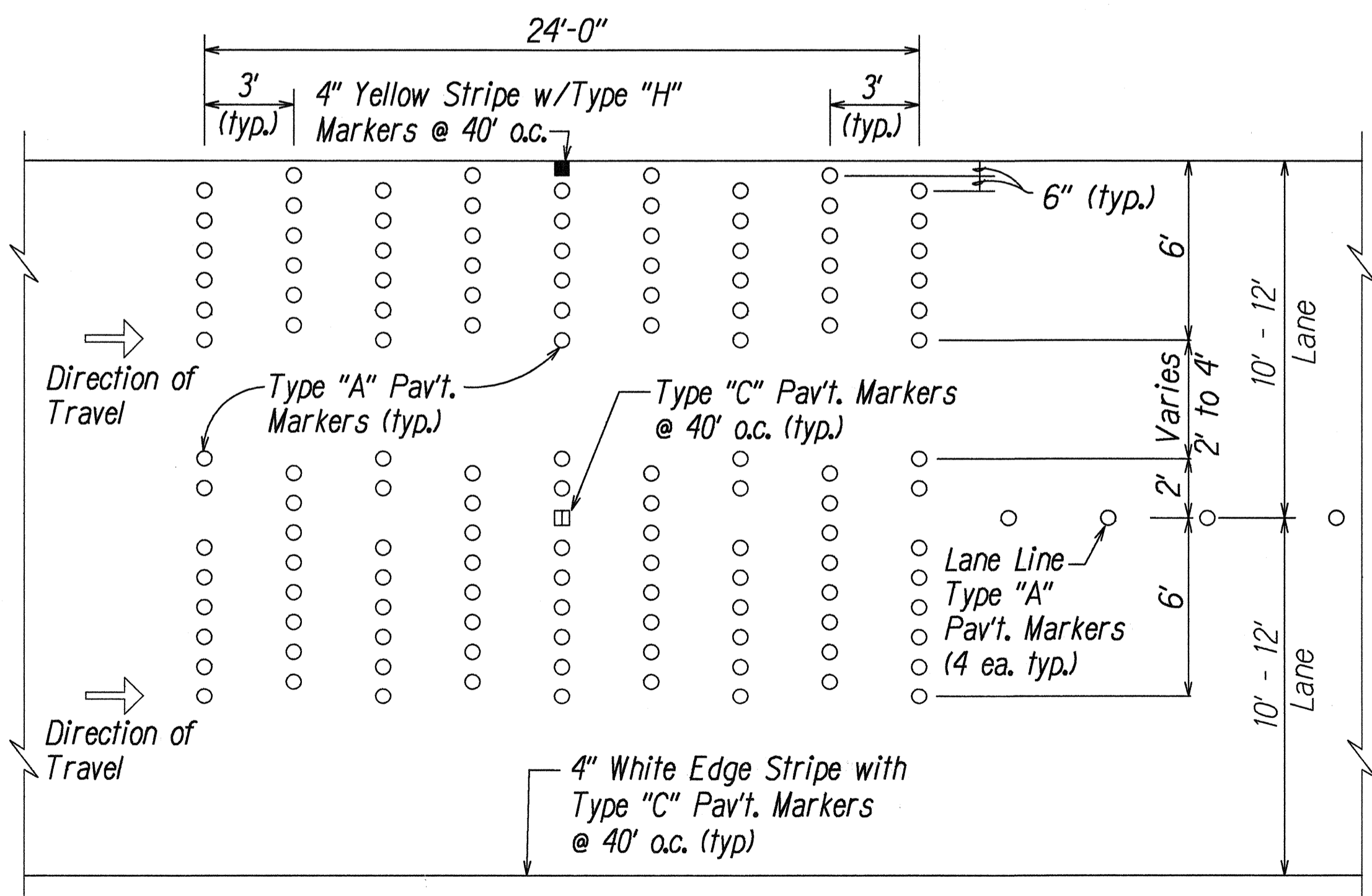
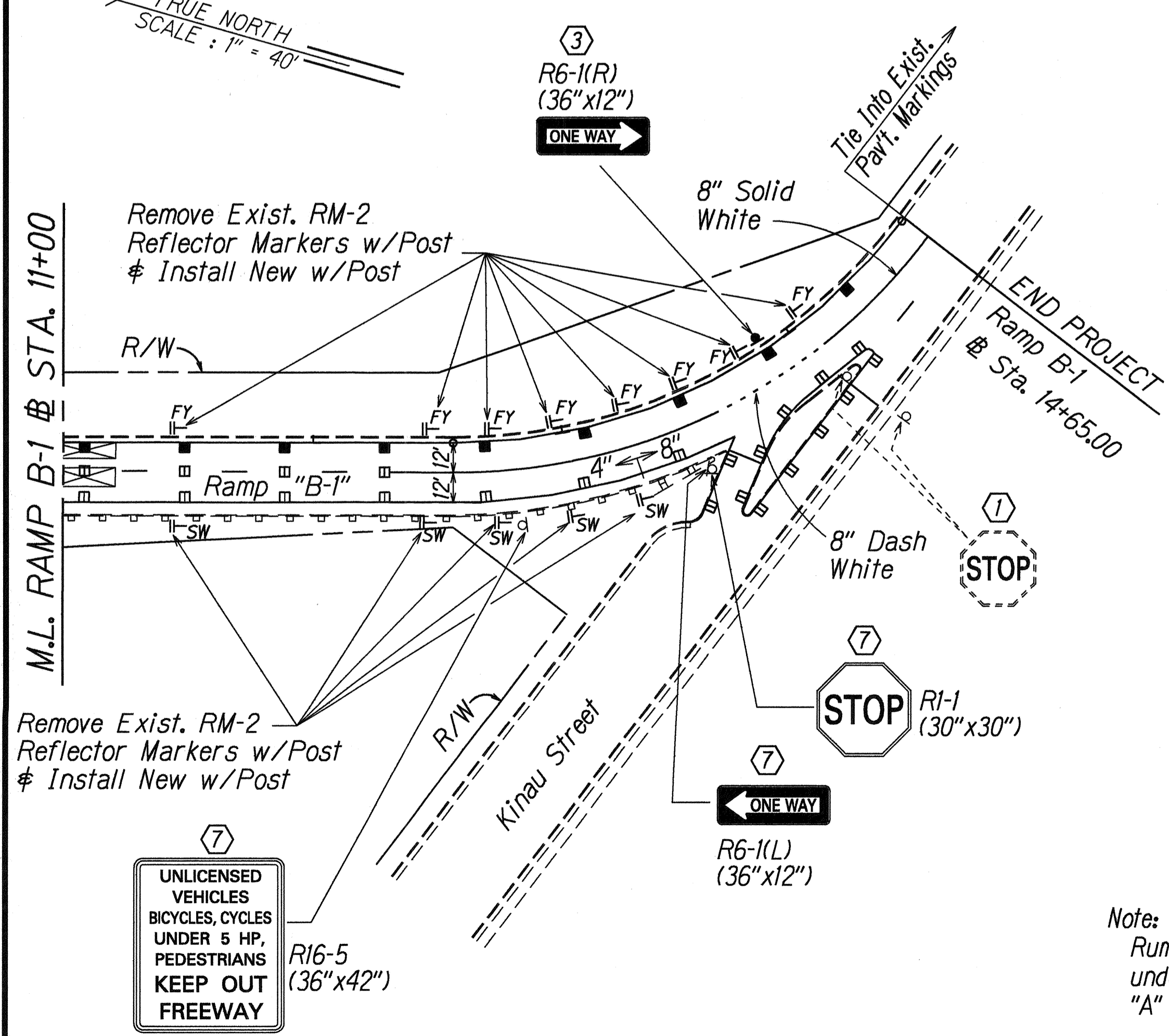
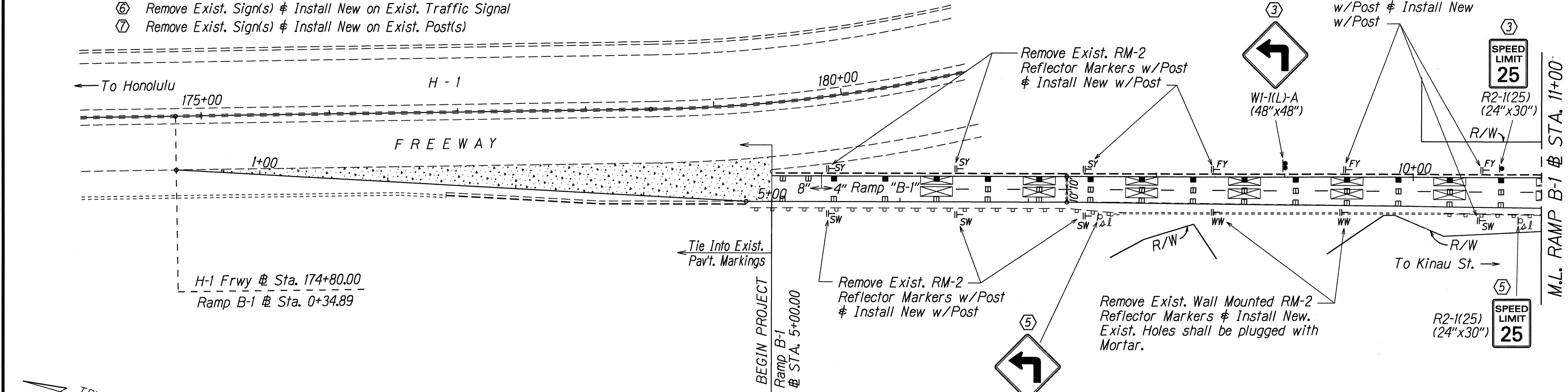
FED. ROAD DIST. NO.	STATE	FED. AID PROJ. NO.	FISCAL YEAR	SHEET NO.	TOTAL SHEETS
HAWAII	HAW.	1M-HI-1(220)	1995	34	37

KEY:

- ① Exist. Sign(s) & Post(s) to Remain
- ② Remove Exist. Sign(s) w/Post(s)
- ③ Remove Exist. Sign(s) w/Post(s) & Install New Sign(s) w/Post(s)
- ④ Install New Sign(s) w/Post(s)
- ⑤ Remove Exist. Sign(s) & Install New on Exist. Light Standard
- ⑥ Remove Exist. Sign(s) & Install New on Exist. Traffic Signal
- ⑦ Remove Exist. Sign(s) & Install New on Exist. Post(s)

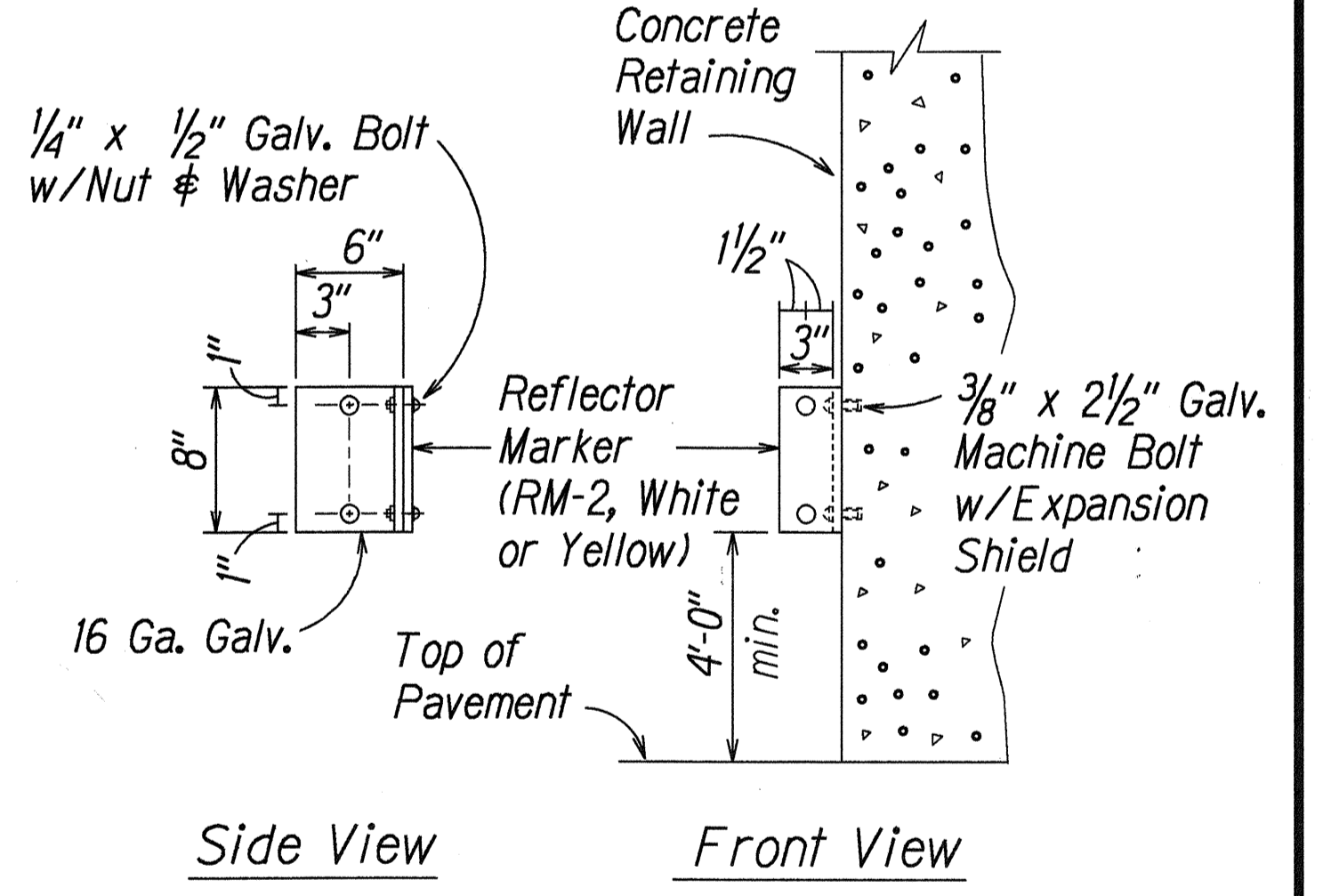
LEGEND

- ⊥_{SW} RM-2 Reflector Marker (White) w/Steel Post
- ⊥_{SY} RM-2 Reflector Marker (Yellow) w/Steel Post
- ⊥_{FY} RM-2 Reflector Marker (Yellow) w/Flexible Delineator Post
- ⊥_{WW} RM-2 Reflector Marker (White) Wall Mount
- ▬ Rumble Strip



Note:
Rumble Strip will be paid for under Item No. 629.2010 - Type "A" Pavement Markers

RUMBLE STRIP DETAIL
Scale: 1/4" = 1'-0"



WALL MOUNTED REFLECTOR MARKER
Not to Scale

SURVEY PLOTTED BY	DATE
DRAWN BY	5-31-95
NOTED BY	
QUANTITIES BY	
CHECKED BY	

STATE OF HAWAII
DEPARTMENT OF TRANSPORTATION
HIGHWAYS DIVISION

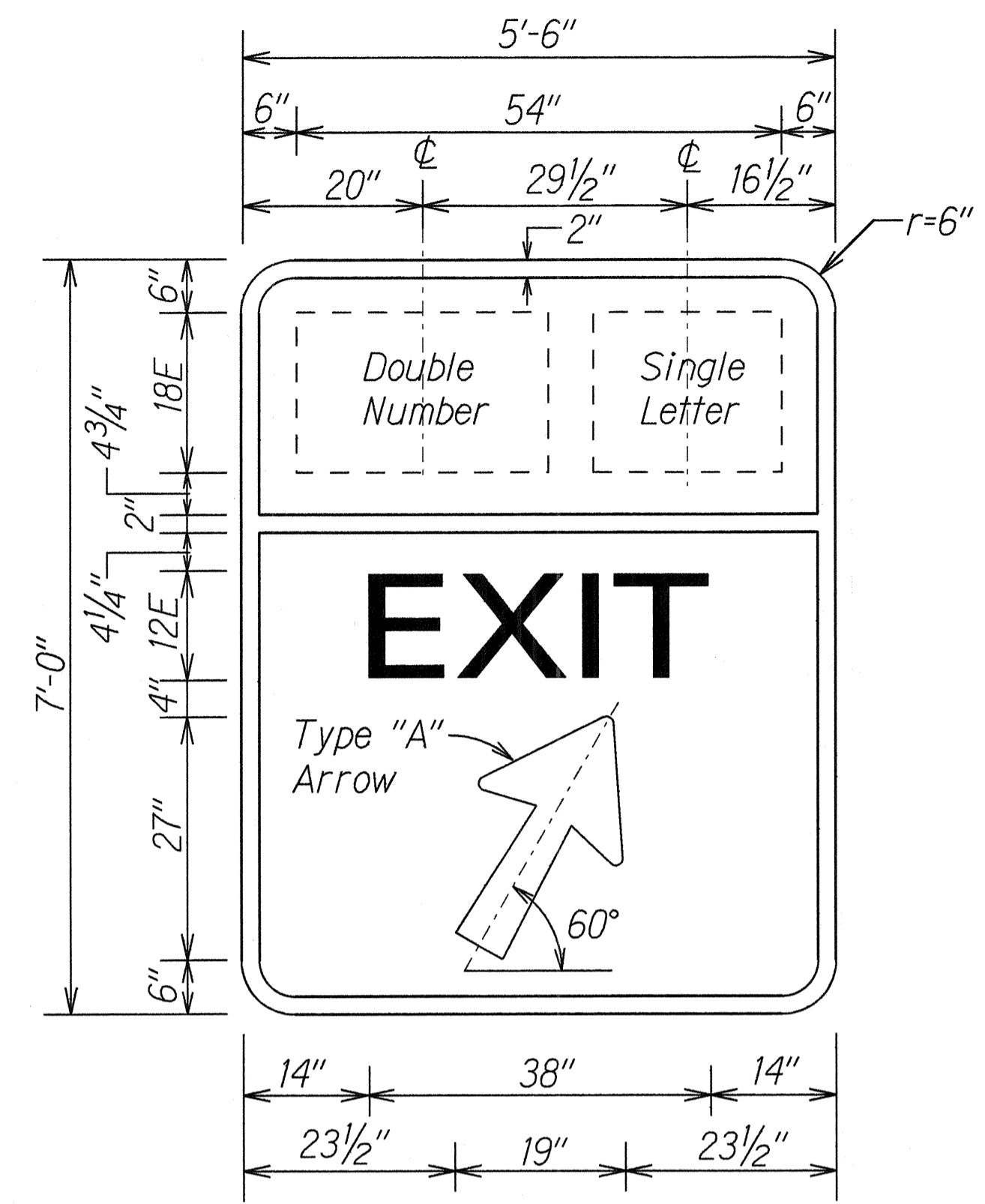
PAVEMENT MARKING & SIGNING PLAN

INTERSTATE ROUTE H-1
Pav't. Repair and Rehab. at Kalihi St.
to Vic. of Pali Hwy. and Kinau Off-Ramp
F.A.I. Project No. 1M-HI-1(220)

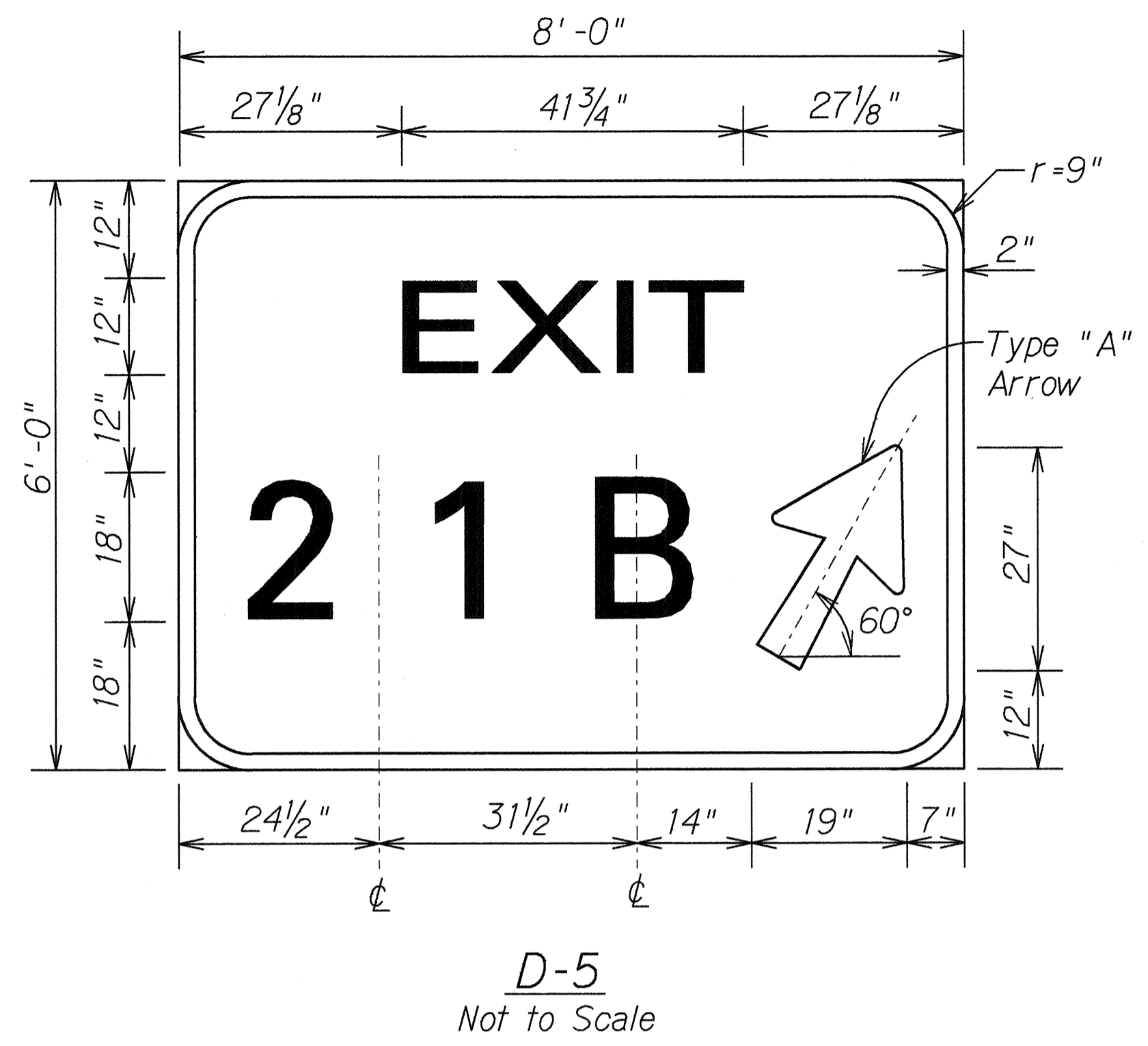
Scale: 1"=40' Date: April 1995

SHEET No. T12 OF 15 SHEETS

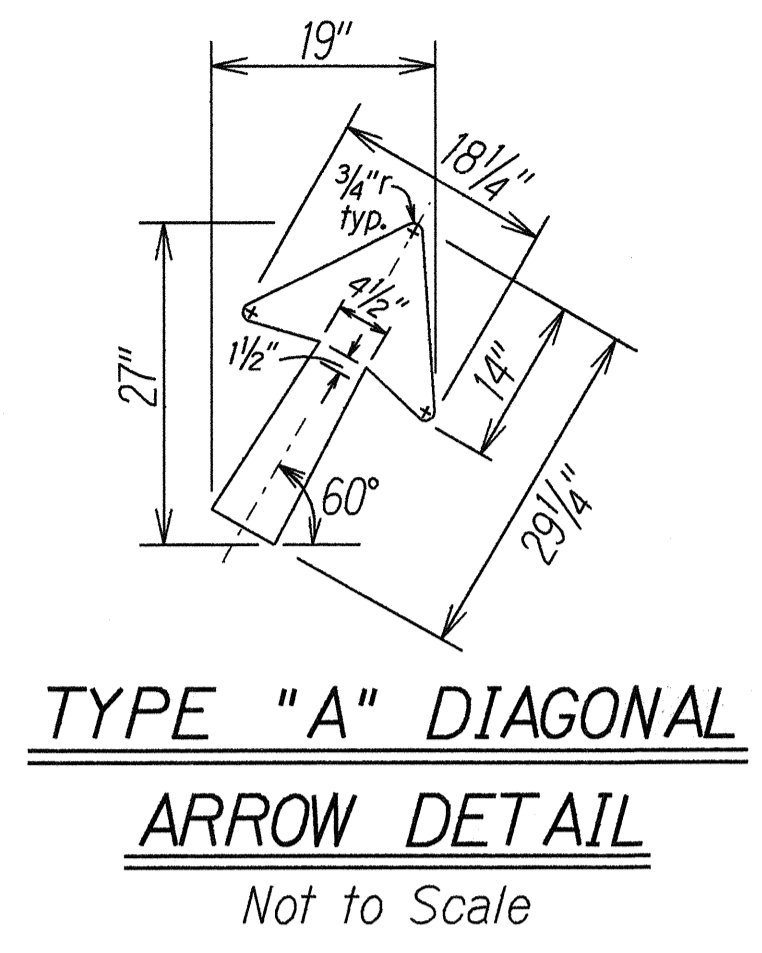
FED. ROAD DIST. NO.	STATE	FED. AID PROJ. NO.	FISCAL YEAR	SHEET NO.	TOTAL SHEETS
HAWAII	HAW.	IM-HI-1(220)	1995	35	37



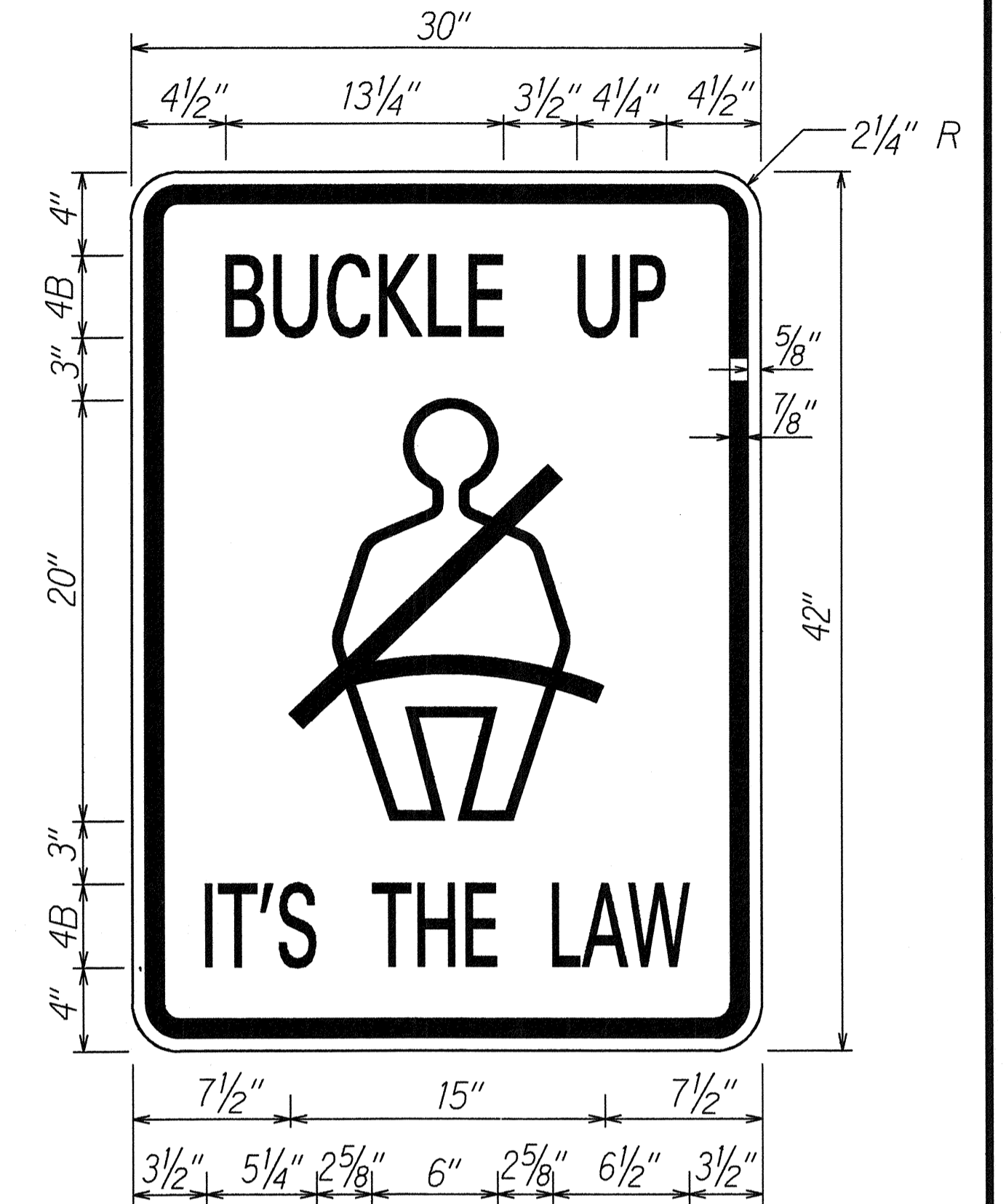
D-1 THRU 4
Not to Scale



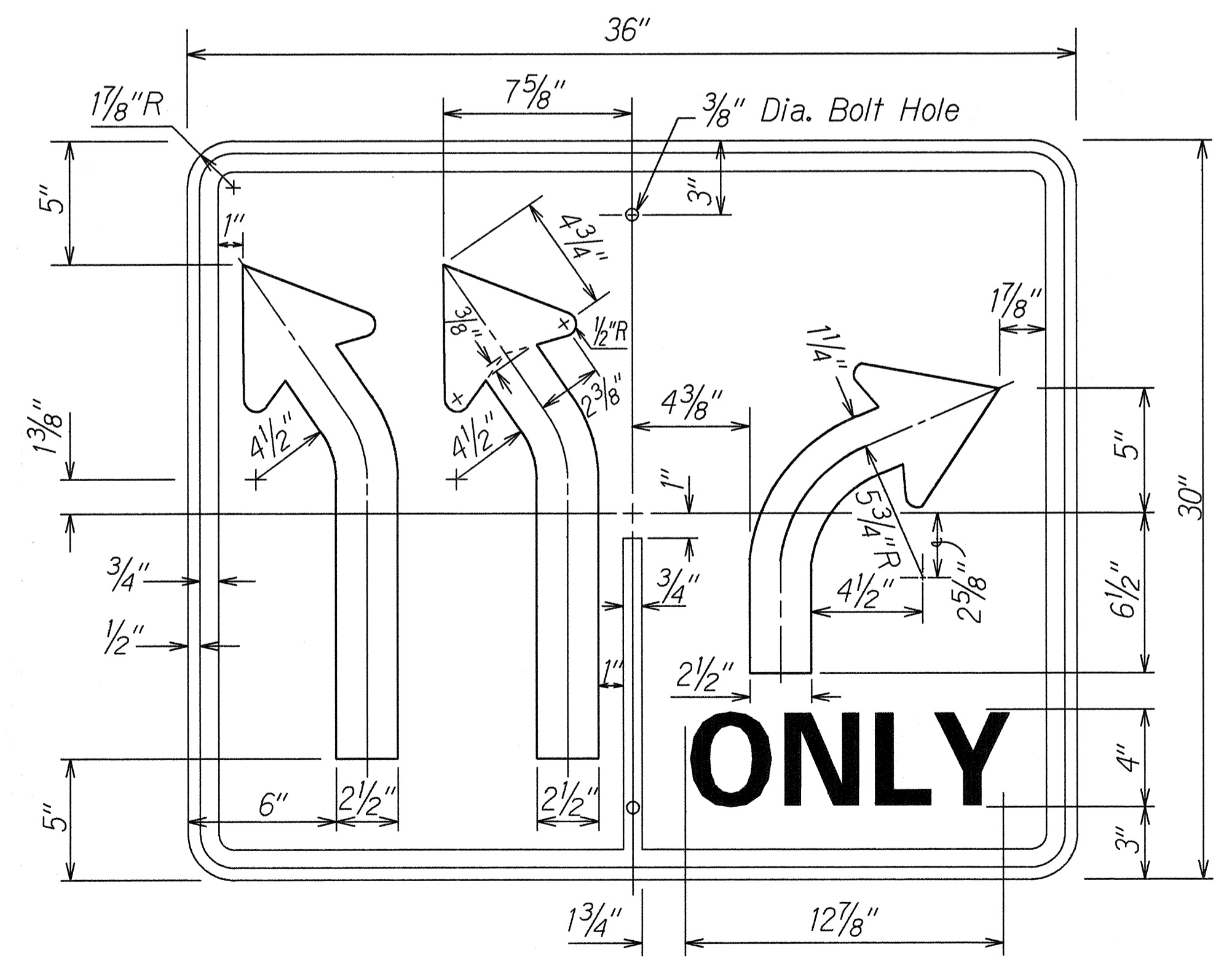
D-5
Not to Scale



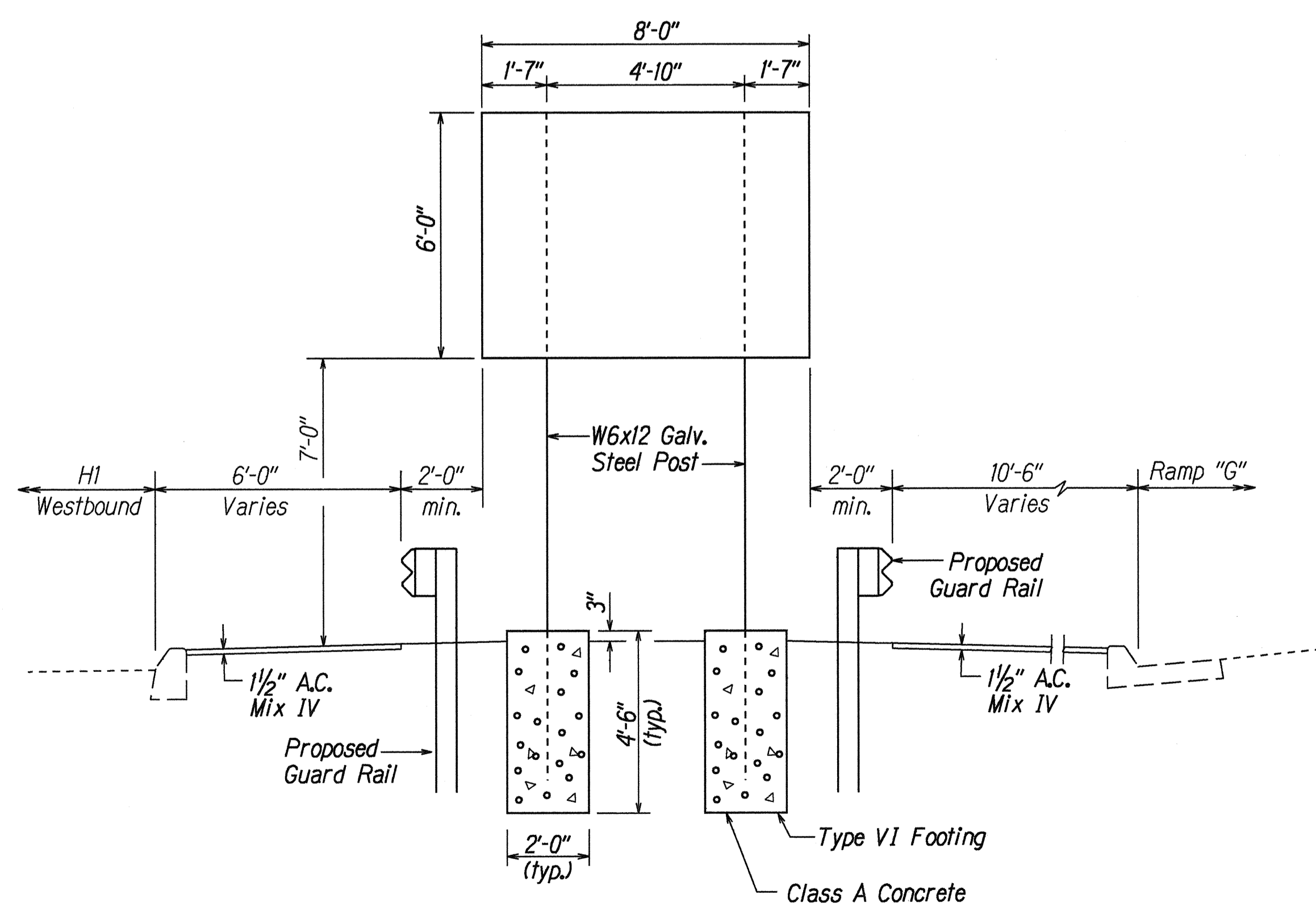
1. Design of Exit Number Panels shall conform to plans and specifications for either the Expressway or Destination Sign to which the Exit Number Panel will be attached.
2. Sign message shall be lettered in uppercase according to Standard Alphabets for Highway Signs, FHWA, 1966. Use Series "E" letters unless otherwise noted.
3. Arrows, Borders, and Route Markers shall conform with details as shown on standard plans and/or as specified in the MUTCD.



R16-1
Not to Scale



R3-12
Not to scale



D-5
HI # Sta. 156+50± Lt.
Scale: 3/8"=1'-0"

DATE	5/22/95
SURVEY PLOTTED BY	
DRAWN BY	R. Ahi
NOTED BY	G. Kereh
QUANTITIES BY	
CHECKED BY	
ORIGINAL PLAN	
NOTE BOOK	
NO. 101	
BY	
DATE	

STATE OF HAWAII
DEPARTMENT OF TRANSPORTATION
HIGHWAYS DIVISION
**MISCELLANEOUS TRAFFIC
SIGN DETAILS**
INTERSTATE ROUTE H-1
Pav't. Repair and Rehab. at Kalihi St.
to Vic. of Pali Hwy. and Kinau Off-Ramp
F.A.I. Project No. IM-HI-1(220)
Not to scale Date: May, 1995
SHEET No. T13 OF 15 SHEETS

TRAFFIC SIGN SUMMARY

FED. ROAD DIST. NO.	STATE	FED. AID PROJ. NO.	FISCAL YEAR	SHEET NO.	TOTAL SHEETS
HAWAII	HAW.	1M-HI-1(220)	1995	36	37

SIGN NO.	MESSAGE	QUANTITY			
		10 SQ. FT. OR LESS		GREATER THAN 10 SQ. FT.	
		W/POST	W/O POST	W/POSTS	W/O POSTS
R1-1	STOP	2	1		
R1-2	YIELD	1			
R2-1(25)	SPEED LIMIT 25	3	3		
R2-1(30)	SPEED LIMIT 30	1			
R2-1(50)-A	SPEED LIMIT 50				1
R2-4a(50/40)-A	SPEED LIMIT 50 MINIMUM 40			1	4
R3-1		1	1		
R3-2		1			
R3-12(R)	TRUCKS ONLY	2			
R3-26	TRUCKS ONLY	1	1		
R4-3-A	SLOWER TRAFFIC KEEP RIGHT				3
R4-7			1		
R5-1	DO NOT ENTER		3		
R5-1a	WRONG WAY	1	4		
R6-1(R)		10	2		
R6-1(L)			2		
R7-4-A	NO STOPPING OR STANDING	3	5		
R7-107e f	NO PARKING 6AM-9AM 3PM-6:30PM EXCEPT SAT. SUN. & HOL.		1		
R7-107e	NO PARKING 6:30AM-8:30AM 1:30PM-3:30PM SCHOOL DAYS ONLY END		1		
R7-201a			1		
R8-3a			≠0		
R8-3a(L & R)	ANYTIME	3	1		
R8-3a(L)	ANYTIME	1	≠3		
R8-3a(LB)	ANYTIME BEGIN	1	1		
R8-3a(R)	ANYTIME STOPPING		3		
R8-7a	EMERGENCY PARKING ONLY			1	
R10-9	RIGHT TURN ON RED AFTER STOP		1		
R16-1	BUCKLE UP IT'S THE LAW		4		
R16-5	UNLICENSED VEHICLES, BICYCLES, CYCLES UNDER 5 H.P., PEDESTRIANS KEEP OUT FREEWAY				2
W1-1(L)-A				1	1
W1-2(R)			1		
W1-2(L)		2			
W3-2a			1		
W4-1(R)-A					2
W4-3-A					3
W11-1			2		
W12-2(14'-6")	14'-6" ↓				1
W12-2(14'-9")	14'-9" ↓				4
W12-2(15'-3")	15'-3" ↓				2
W12-2(15'-6")	15'-6" ↓				2
W12-2(15'-9")	15'-9" ↓				3
W13-1(25)-A	25 M.P.H.		2		
W13-2(25)	EXIT 25 M.P.H.				5
W13-2(30)	EXIT 30 M.P.H.				2
W14-4-A	LIMITED SIGHT DISTANCE				1
TOTAL		33	45	3	36

ROUTE MARKER SUMMARY					
SIGN ASSEMBLY	LOCATION	SIGN NO. AND MESSAGE	TYPE A ASSEMBLY		
			W/POST	W/O POST	
IRM-1	# STA. 58+00± RT.	IM3-2-A IM-1(2) EAST HI	1		
IRM-2	# STA. 80+50± LT.	IM3-4-A IM-1(2) WEST HI	1		
IRM-3	# STA. 91+50± RT.	IM3-2-A IM-1(2) EAST HI	1		
IRM-4	# STA. 113+00± LT.	IM3-4-A IM-1(2) WEST HI	1		
IRM-5	# STA. 126+00± RT.	IM3-2-A IM-1(2) EAST HI	1		
IRM-6	# STA. 139+00± LT.	IM3-4-A IM-1(2) WEST HI	1		
TOTAL			6		

SURVEY PLOTTED BY: DATE: 12/12/95
 DRAWN BY: M. Homalski
 CHECKED BY: G. Kereh
 QUANTITIES BY: N. Dittusum
 ORIGINAL PLAN: 10/1/95

LEGEND FOR AS-BUILT POSTINGS	
	Squiggly line for as-built deletion
	Double line for as-built deletion
Roadway	Text for as-built posting

STATE OF HAWAII
 DEPARTMENT OF TRANSPORTATION
 HIGHWAYS DIVISION
TRAFFIC SUMMARIES
 INTERSTATE ROUTE H-1
 Pav't. Repair and Rehab. at Kalihi St.
 to Vic. of Pali Hwy. and Kinau Off-Ramp
 F.A.I. Project No. 1M-HI-1(220)
 Date: May, 1995
 SHEET No. T14 OF 15 SHEETS

PAVEMENT MARKING SUMMARY

DESCRIPTION	QUANTITY
PAVEMENT MARKERS	
TYPE A _____	6,120 EA.
TYPE C _____	2,750 EA.
TYPE D _____	25 EA.
TYPE H _____	775 EA.
TAPE - TYPE I OR THERMOPLASTIC EXTRUSION	
4-INCH PAVEMENT STRIPE (WHITE) _____	4,700 L.F.
8-INCH PAVEMENT STRIPE (WHITE) _____	5,400 L.F.
DOUBLE 4-INCH PAVEMENT STRIPE (YELLOW) _____	500 L.F.
DOUBLE 4-INCH PAVEMENT STRIPE (WHITE) _____	60 L.F.
BIKE LANE MARKING _____	2 EA.
TAPE - TYPE II OR THERMOPLASTIC EXTRUSION	
4-INCH PAVEMENT STRIPE (WHITE) _____	29,830 L.F.
4-INCH PAVEMENT STRIPE (YELLOW) _____	30,160 L.F.
8-INCH PAVEMENT STRIPE (WHITE) _____	7,320 L.F.
12-INCH PAVEMENT STRIPE (WHITE) _____	1,200 L.F.
TAPE - TYPE III OR THERMOPLASTIC EXTRUSION	
4-INCH PAVEMENT STRIPE (WHITE) _____	1,400 L.F.
12-INCH PAVEMENT STRIPE (WHITE) _____	235 L.F.
CROSSWALK MARKINGS _____	21 LANES
PAVEMENT ARROW _____	14 EA.
PAVEMENT WORD _____	10 EA.

CONSTRUCTION SIGN SUMMARY

SIGN NO.	LOCATION	MESSAGE	W/POSTS	W/O POST
CG20-2	# STA. 46+50± LT.	END CONSTRUCTION	1	
CW20-1d	# STA. 46+50± RT.	ROAD CONSTRUCTION AHEAD	1	
CW20-1d	RAMP K-2 STA. 7+50± RT.	ROAD CONSTRUCTION AHEAD	1	
CW20-1d	RAMP K-6 STA. 6+50± RT.	ROAD CONSTRUCTION AHEAD	1	
CG20-2	OLOMEA ST. STA. 24+50± RT.	END CONSTRUCTION	1	
CW20-1d	HALONA ST. STA. 4+00± RT.	ROAD CONSTRUCTION AHEAD	1	
CW20-1d	200'± BEFORE RAMP 7 LT. AFTER	ROAD CONSTRUCTION AHEAD	1	
CW20-1d	PALI HIGHWAY I.B. - 500' BEFORE RAMP H	ROAD CONSTRUCTION AHEAD	1	
CW20-1d	300'± BEFORE RAMP F	ROAD CONSTRUCTION AHEAD	1	
CG20-2	300'± BEFORE RAMP B	END CONSTRUCTION	1	
CG20-2	# STA. 175+00± RT.	END CONSTRUCTION	1	
CW20-1d	# STA. 175+00± LT.	ROAD CONSTRUCTION AHEAD	1	
CW20-1d	Ramp 6 (nr. # Sta. 113+10±)	TOTAL	13	

REFLECTOR MARKER SUMMARY

TYPE	QUANTITY							
	W/O POST		W/FLEXIBLE POST		W/STEEL POST		MOUNT ON CONCRETE RETAINING WALL	
	YELLOW	WHITE	YELLOW	WHITE	YELLOW	WHITE	YELLOW	WHITE
RM-2			11		3	9		2
RM-3	3							
RM-9	4				5			

DESTINATION SIGN SUMMARY

SIGN NO.	LOCATION	MESSAGE	SIZE	OVERLAY AREA (SQ. FT.)	NEW PANEL AREA (SQ. FT.)	
					W/O POSTS	W/POSTS
D-1	# STA. 71+20± LT.	20B EXIT ↗	5'-6" x 7'-0"		38.50	
D-2	# STA. 83+00± RT.	20B EXIT ↗	5'-6" x 7'-0"		38.50	
D-3	# STA. 103+15± LT.	20C EXIT ↗	5'-6" x 7'-0"		38.50	
D-4	# STA. 132+90± LT.	21A EXIT ↗	5'-6" x 7'-0"		38.50	
D-5	# STA. 156+40± LT.	EXIT 21B ↗	8'-0" x 6'-0"		48.00	
TOTAL						202.00

Sign No. D-5 - Use W6 x 12 Steel Post

LEGEND FOR AS-BUILT POSTINGS

~~~~~ Squiggly line for as-built deletion

==== Double line for as-built deletion

Roadway Text for as-built posting

STATE OF HAWAII  
DEPARTMENT OF TRANSPORTATION  
HIGHWAYS DIVISION

**TRAFFIC SUMMARIES**

INTERSTATE ROUTE H-1  
Pav't. Repair and Rehab. at Kalihi St.  
to Vic. of Pali Hwy. and Kinau Off-Ramp  
F.A.I. Project No. 1M-HI-1(220)

Date: May, 1995

SHEET No. T15 OF 15 SHEETS

SURVEY PLOTTED BY DATE 12/18/95  
 DRAWN BY M. Howells  
 DESIGNED BY G. Leitch  
 NOTED BY J. Luby  
 CHECKED BY N. Whitsum2  
 ORIGINAL PLAN