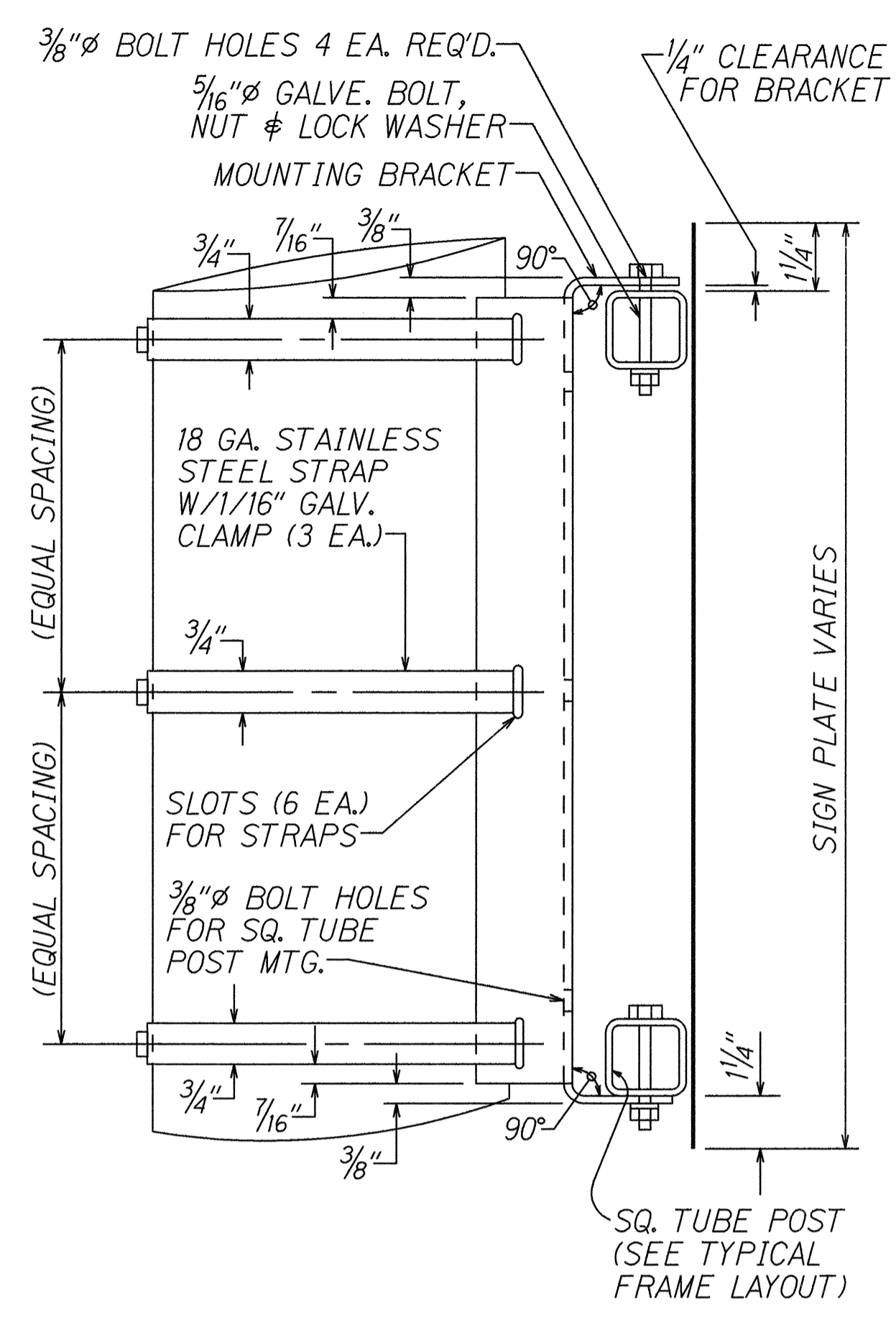
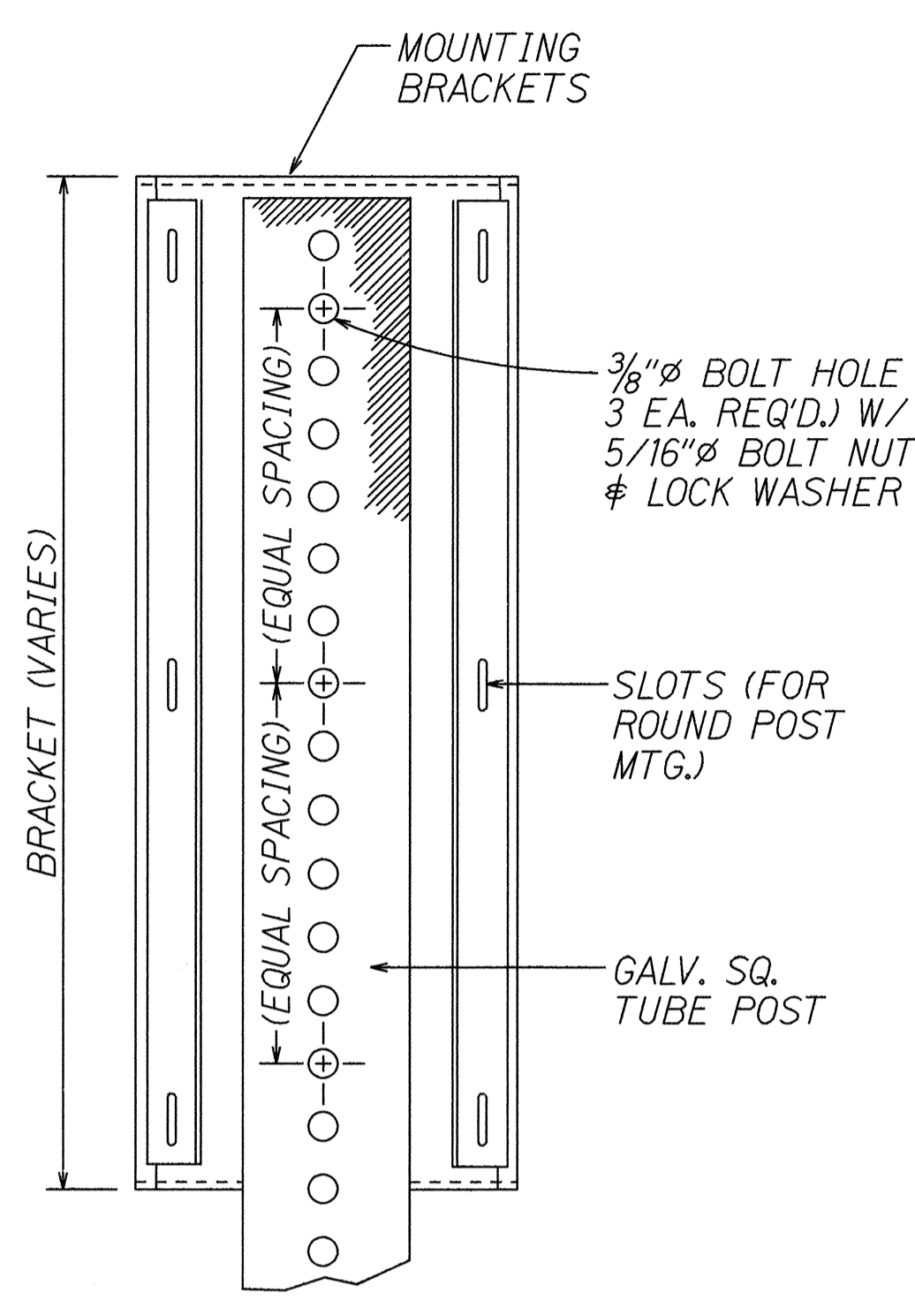


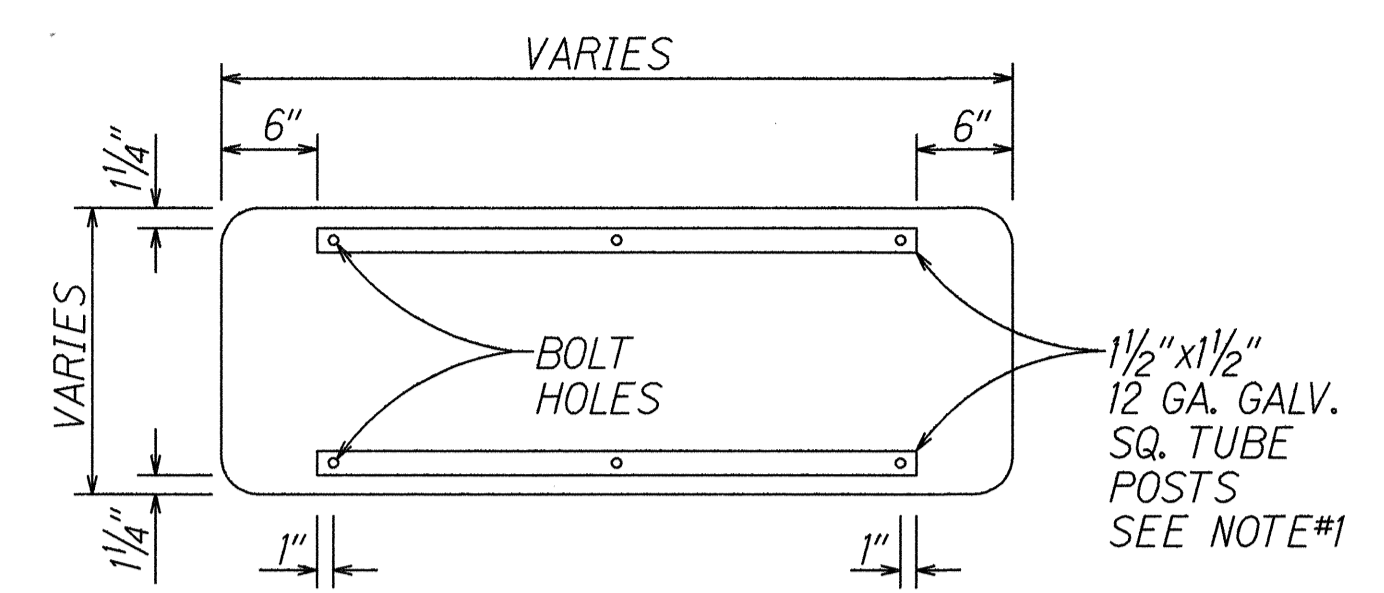
FED. ROAD DIST. NO.	STATE	PROJ. NO.	FISCAL YEAR	SHEET NO.	TOTAL SHEETS
HAWAII	HAW.	HEI-01-94M	1994	27	27



SIDE VIEW



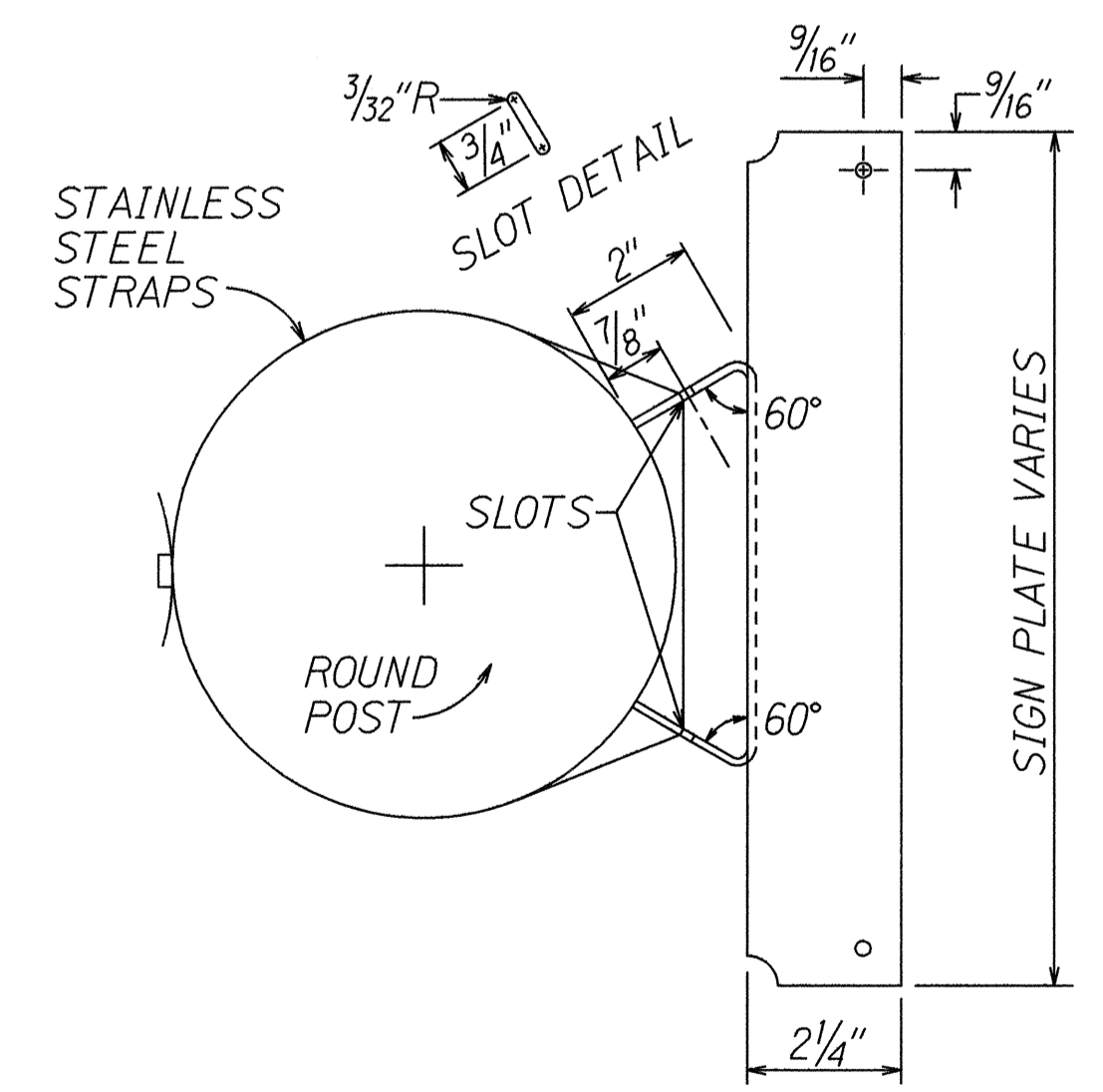
BACK VIEW
SQ. TYPE POST MOUNTING
Not to Scale



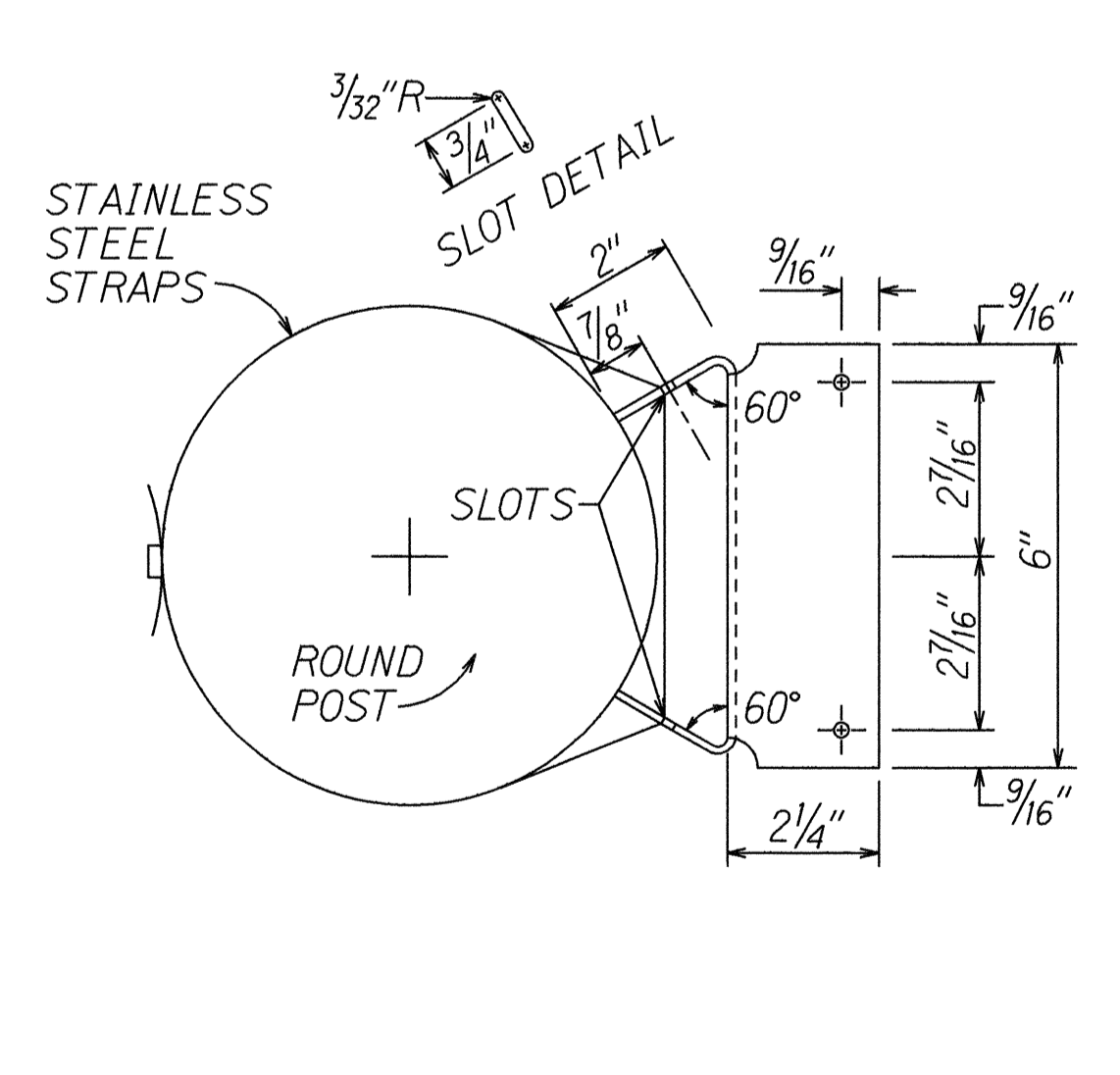
TYPICAL FRAME LAYOUT
Scale: 1"=1'-0"

1. SQ. TUBE POSTS SHALL BE AS SPECIFIED IN THE SPECIAL PROVISIONS.
2. SIGN PANEL SHALL BE ATTACHED TO SQ. TUBE POST WITH 5/16" Ø GALV. BOLT, NUT, LOCK WASHER & 7/8" x 0.06" STAINLESS STEEL FLAT WASHER WITH NEOPRENE RUBBER GASKET.

- NOTE:**
1. MATERIAL TO BE 12 GA. HOT ROLLED STEEL SHEET, LOW CARBON, COMMERCIAL QUALITY, SPECIFICATIONS QQS-636, GRADE 1010.
 2. BRACKET TO BE HOT DIPPED GALV. AFTER FABRICATION PER SPECIFICATION ASTM-A-123-68.
 3. ALL BEND RADII TO BE 1/8".
 4. DEBURR ALL SHARP EDGES.
 5. TOLERANCES: DIMENSIONS, ±1/32" ANGLES, ±0°-30'
 - *6. ALL UNBALANCED SIGN WITH POST INSTALLATIONS SHALL USE GALVENIZED SQUARE TUBE POST.

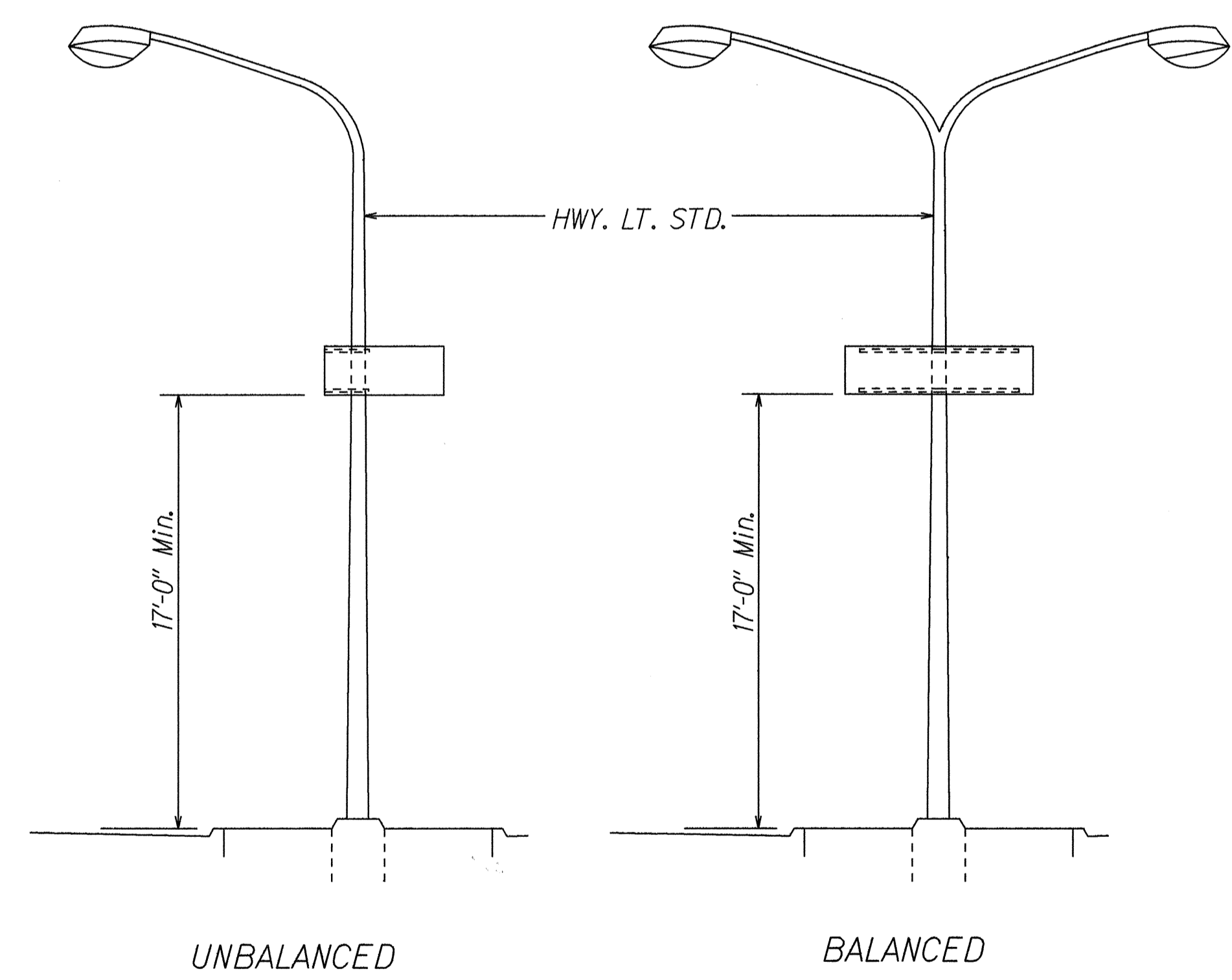


BALANCED SIGN
TOP VIEW



UNBALANCED SIGN
TOP VIEW

ROUND POST MOUNTING
Not to Scale



SIGN MOUNTING
Not to Scale

SURVEY PLOTTED BY	DATE
DRAWN BY	
CHECKED BY	
NOTED BY	
DATE	

STATE OF HAWAII
DEPARTMENT OF TRANSPORTATION
HIGHWAYS DIVISION

**BALANCED, UNBALANCED
SIGN INSTALLATION**

RTE. H-1 INBOUND SHLDR. LANE RESURF.
Waiawa Interchange On-Ramp to
Moanalua Off-Ramp
Project No. HIE-01-94M

Scale: Not to Scale Date: May 1994

SHEET No. T13 OF 13 SHEETS