

FED. ROAD DIST. NO.	STATE	FED. AID PROJ. NO.	FISCAL YEAR	SHEET NO.	TOTAL SHEETS
HAWAII	HAW.	IR-HI-1(206)	1987	24	40

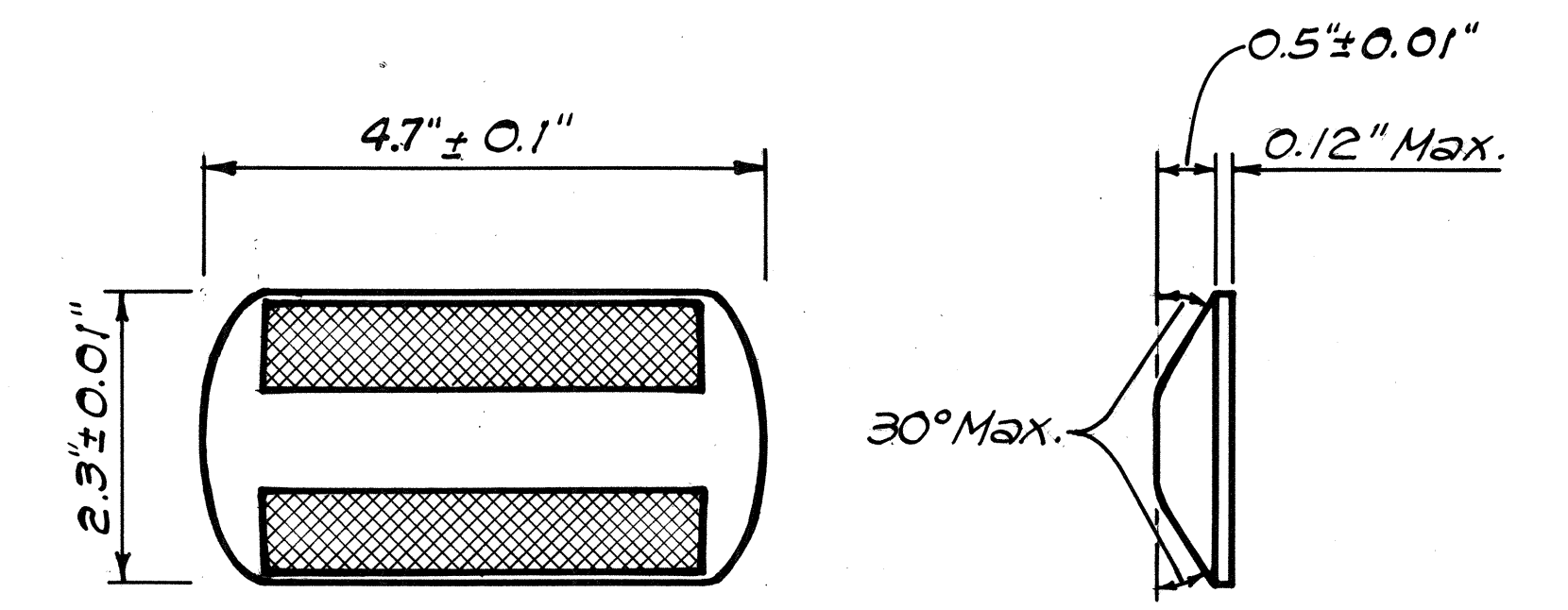
LEGEND

- 4 each Type A Raised Pavement Markers
Type CL Raised Pavement Markers @ 40'-0" o.c.
- 4 each Type J Raised Pavement Markers
Type DL Raised Pavement Markers @ 40'-0" o.c.
- 8" White Stripe with Type CL Raised Pavement Markers @ 20'-0" o.c.
- 4" Double Solid Yellow Stripes with Type DL Raised Pavement Markers @ 20'-0" o.c.
- 4" Double Solid Yellow Stripes with Type HL Raised Pavement Markers @ 20'-0" o.c.
- 4" Yellow Edge Stripe with Type HL Raised Pavement Markers @ 40'-0" o.c. (Tape-Type II or Thermoplastic Extrusion)
- 4" Double Solid White Stripes with Type CL Raised Pavement Markers @ 20'-0" o.c.
- Lane Change Restriction Marking
4 each Type A Raised Pavement Markers
Type CL Raised Pavement Markers @ 20'-0" o.c.
4" White Stripe
- 4" White Edge Stripe (Tape-Type II or Thermoplastic Extrusion)
- 4" White Guide Lines
- Transverse Median Marking
- Transverse Shoulder Marking
- Channelizing Island or Deceleration Lane Gore
- Crosswalk and Stop Line. All Stop Lines shall be 10'-0" from Crosswalk unless otherwise noted. The circled number indicates the number of lanes for payment.

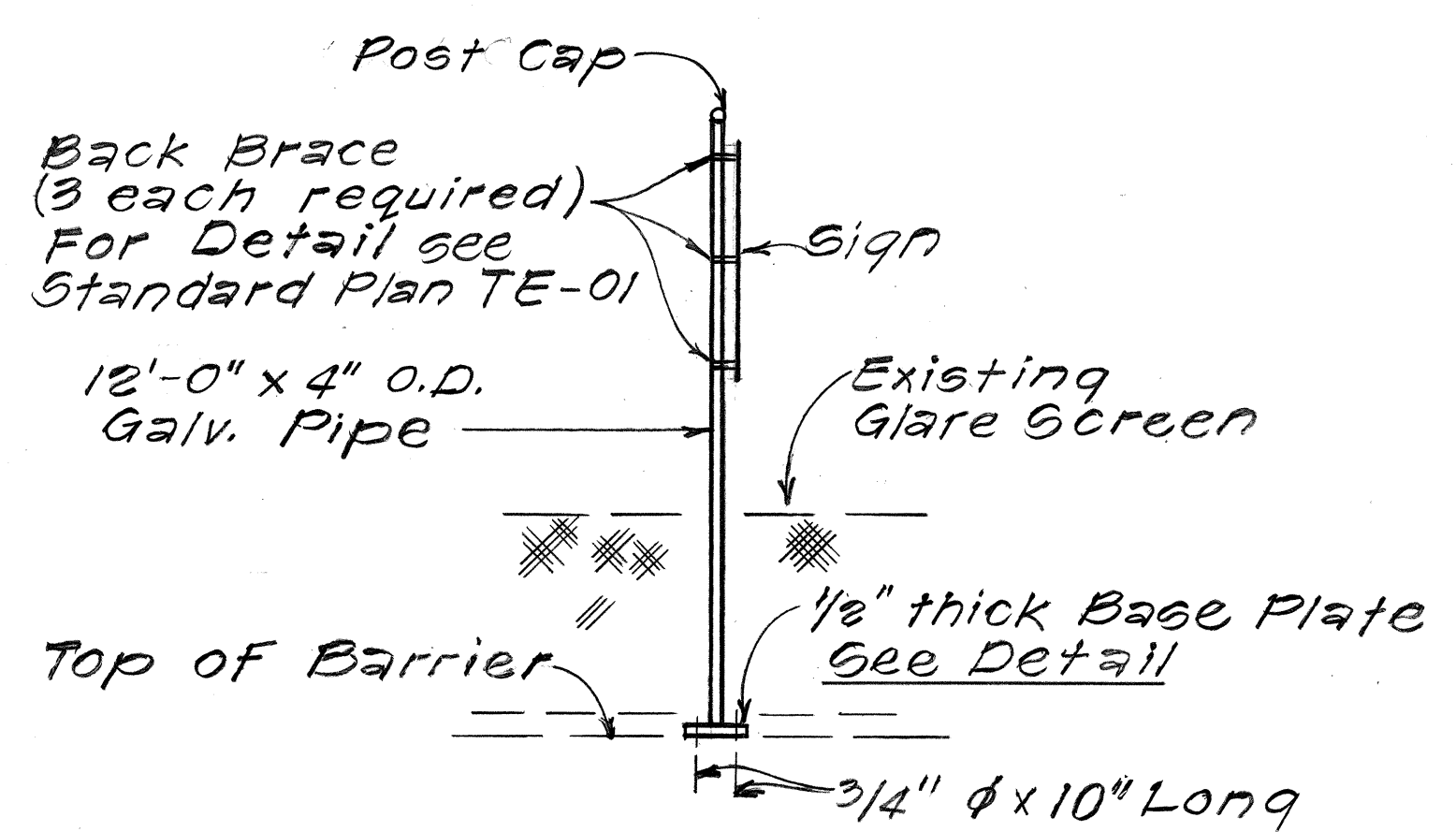
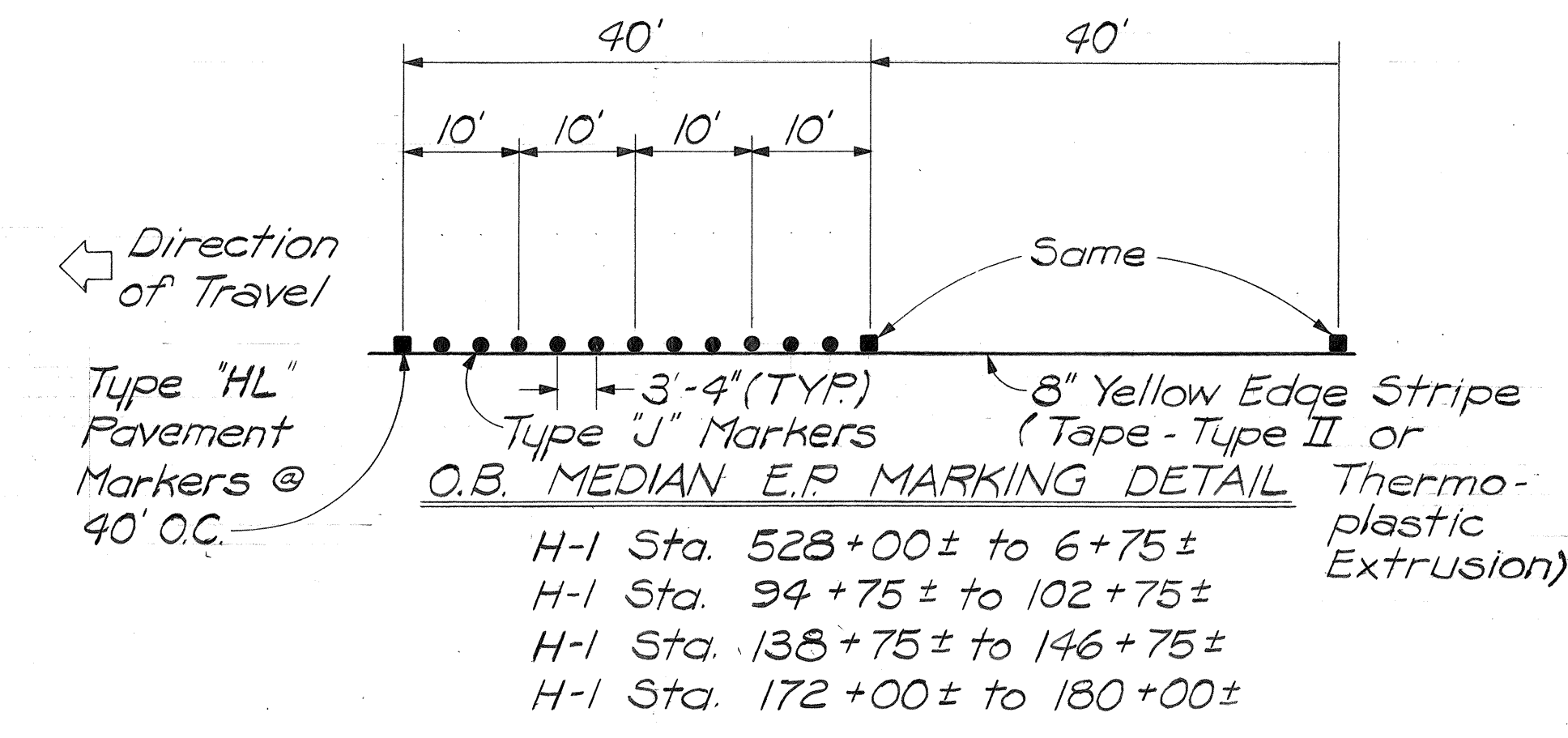
- Pavement Arrow
- STOP Pavement Word
- Pavement Diamond (Tape-Type I or Thermoplastic Extrusion)
- Extension of Edge Line, 4" wide x 2'-0" long
White Stripe @ 10'-0" o.c. with Type CL Markers @ 40'-0" o.c. (Tape-Type I or Thermoplastic Extrusion)

NOTES

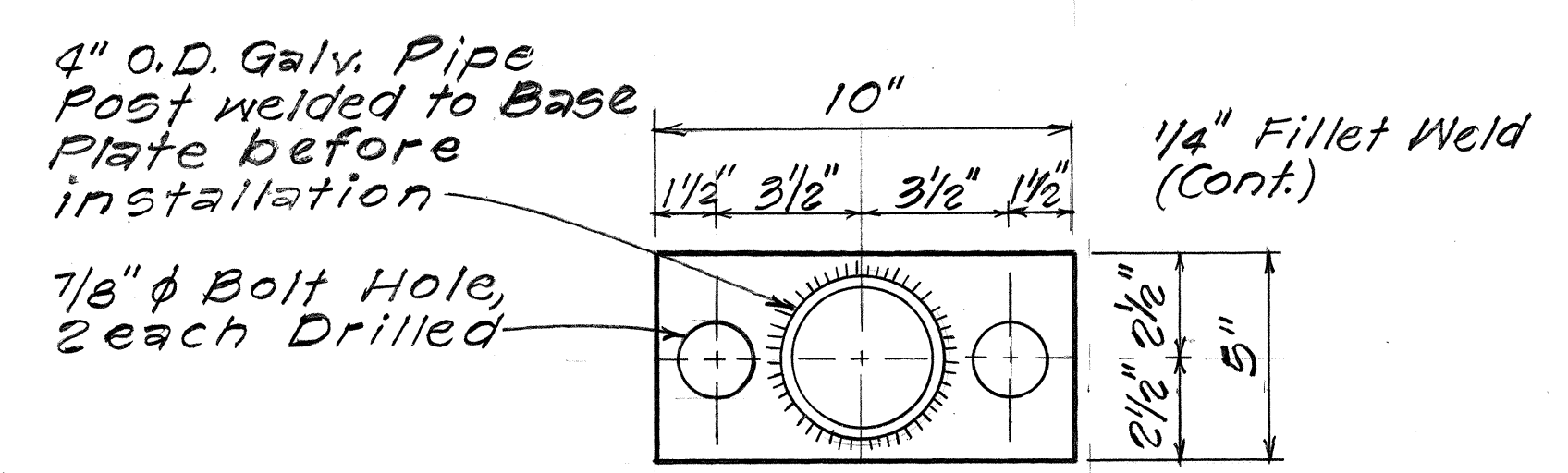
- Layout of pavement markings and striping shall be done by the Contractor and approved by the Engineer prior to any installation work.
- Existing pavement markings not incorporated in the final traffic pattern shall be removed as directed by the Engineer. Costs shall be incidental to the various pavement marking items.
- Raised pavement markers shall not be installed within crosswalks.
- Details of Type C, Type D and Type H Markers on Standard Plan Nos. TE-30, TE-31 and TE-32 shall be deleted and replaced with details of Type CL, Type DL and Type HL Markers as shown on this sheet. All references to Type C, Type D and Type H Markers in the plans shall mean Type CL, Type DL and Type HL Markers.
- Final locations of all signs shall be approved by the Engineer prior to any installation work.
- The Contractor shall remove all existing pavement markings including existing delineators prior to installing new pavement markings. Cost shall be paid for under Item No. 629.3000 - Removal of Existing Pavement Markings.
- Removal of Existing Milepost Markers will not be paid for separately but shall be considered incidental to installing the New Milepost Marker.
- All pavement striping shall be Tape-Type I or Thermoplastic Extrusion unless otherwise noted.



TYPE CL
Red-Clear Reflective Marker
or
TYPE DL
Two-Way Yellow Reflective Marker
or
TYPE HL
One-Way Yellow Reflective Marker
Not to Scale



ELEVATION
SIGN MOUNTED ON CONCRETE BARRIER
N.T.S.



BASE PLATE DETAIL
N.T.S.

DATE	REVISION
4/15/87	Added Detail for Sign Mounted on Concrete Barrier

STATE OF HAWAII
DEPARTMENT OF TRANSPORTATION
HIGHWAYS DIVISION

SIGNING & PAVEMENT MARKINGS
LEGEND, NOTES & DETAIL

INTERSTATE ROUTE H-1
ADDITIONAL LANES, PHASE II
F.A.I. PROJ. NO. IR-HI-1(206)

Scale: As Shown Date: Feb., 1987

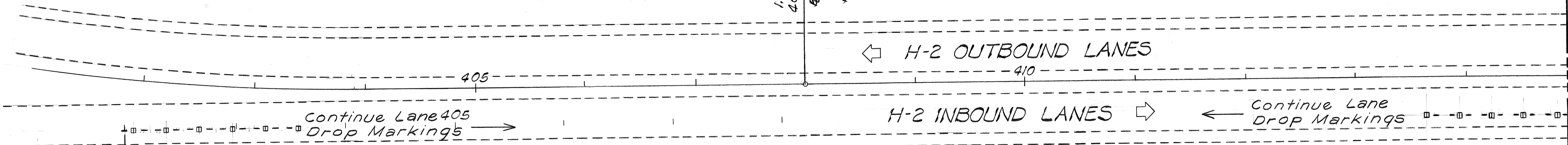
SHEET No. 24 OF 15 SHEETS

SURVEY PLOTTED BY: _____
 DATE: _____
 DRAWN BY: _____
 TRACED BY: _____
 NOTE BOOK: _____
 QUANTITIES BY: _____
 CHECKED BY: _____
 No. _____

FED. ROAD DIST. NO.	STATE	FED. AID PROJ. NO.	FISCAL YEAR	SHEET NO.	TOTAL SHEETS
HAWAII	HAW.	IR-HI-1(200)	1987	25	40

I.B. Sta. 403+17.51 (BK) =
 Sta. 407+00.55 (EQ)
 Sta. 408+00 (AHD)

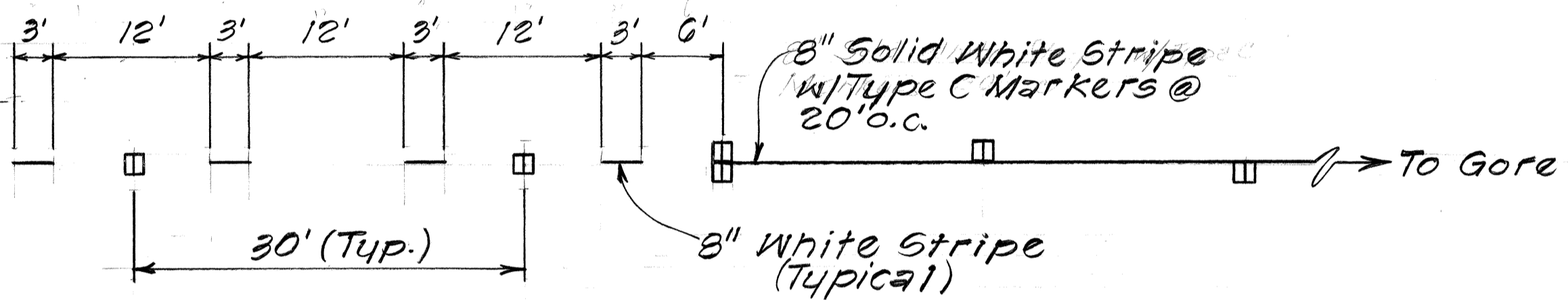
True North
 Scale: 1" = 50'



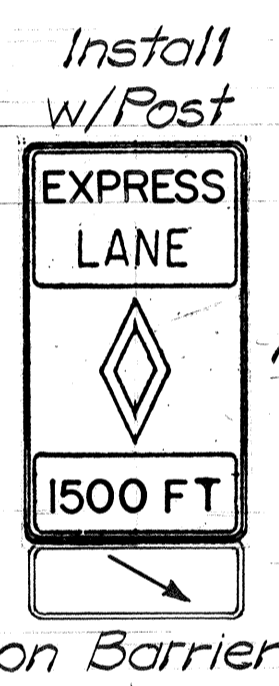
H-2 I.B. Sta. 402+00 to Sta. 430+00
 Remove existing lane line markings and install new lane drop markings. See Note #6 on Sheet No. T-1.



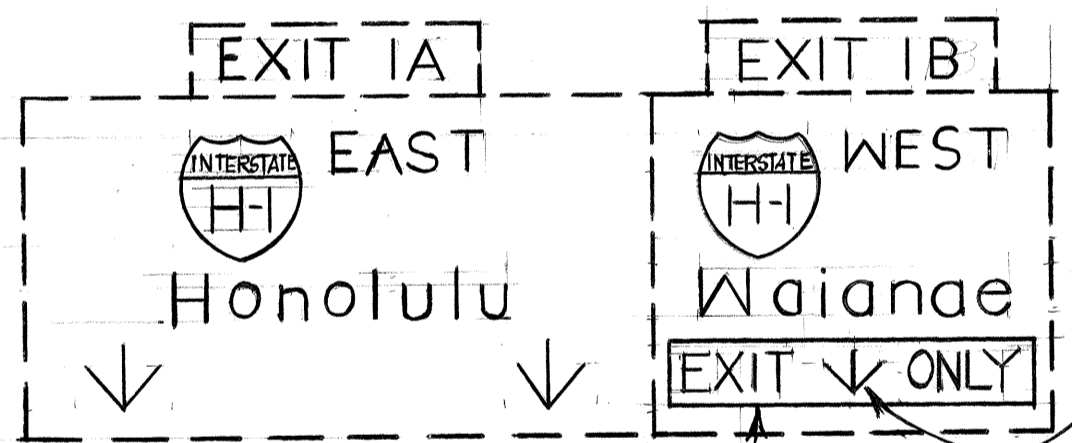
LANE DROP MARKING
 Sta. 402+00
 H-2 INBOUND



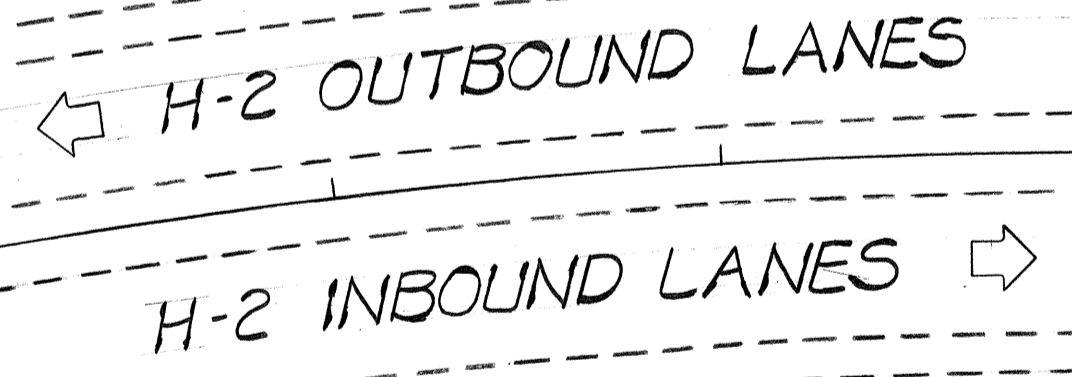
LANE DROP MARKING
 Scale: 1" = 10'



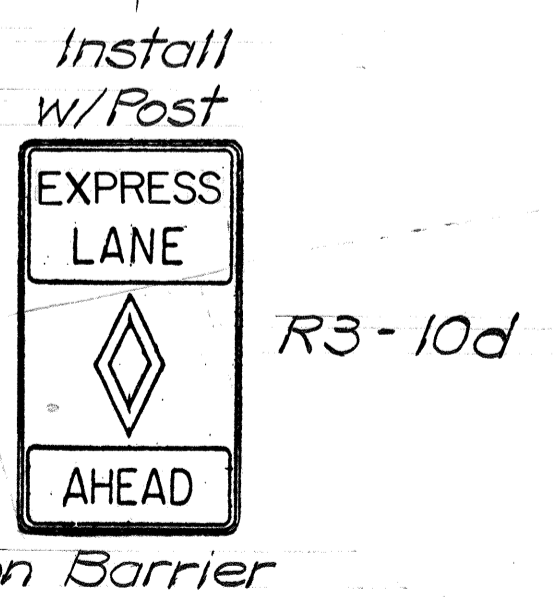
LANE DROP MARKING
 Begin 8" Solid White Stripe
 w/Type C Markers @ 20' o.c.



SIGN E-1
 Install New Overlay with New Message



Continue Lane Drop Markings



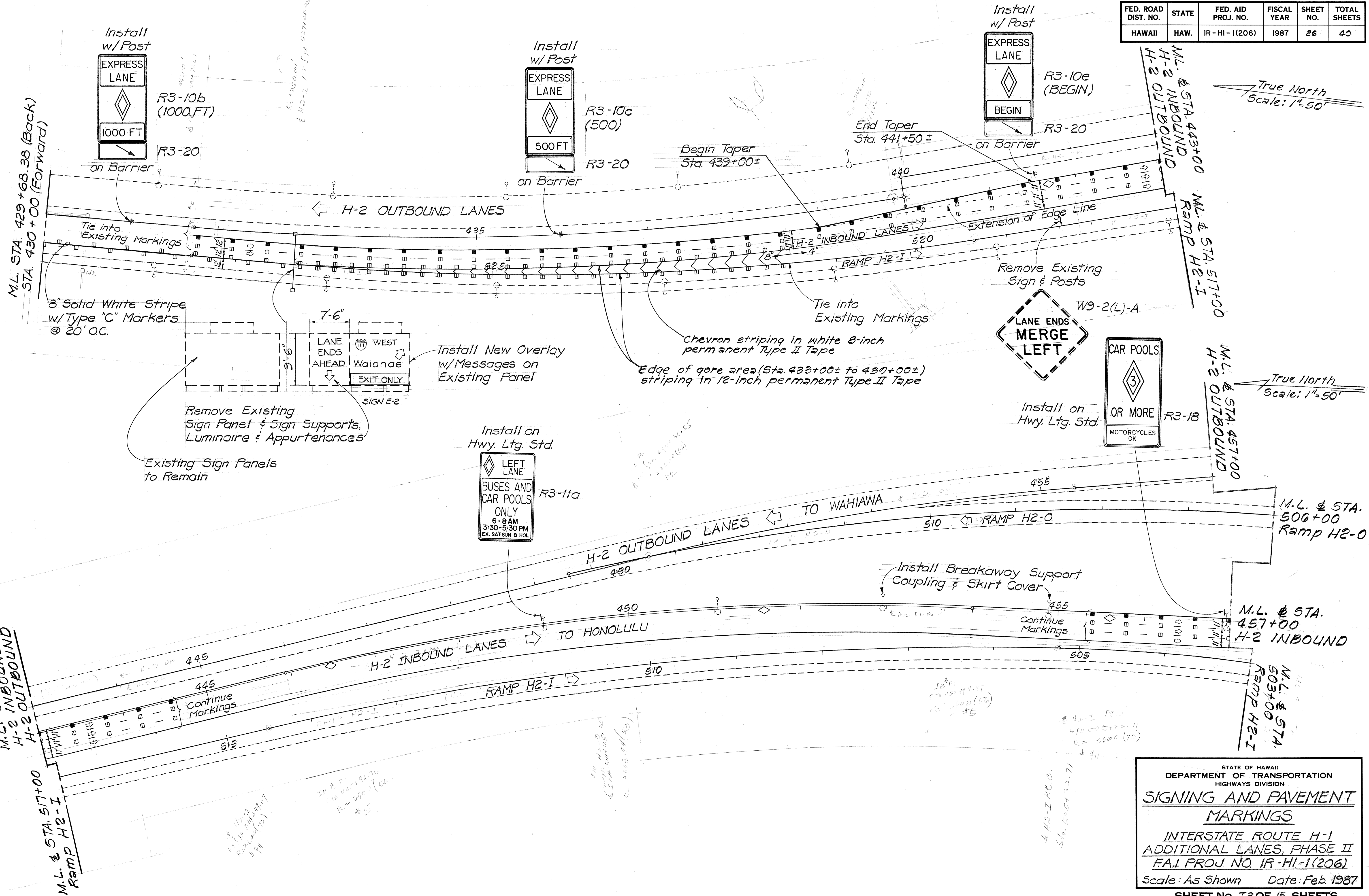
P.T. Sta. 425+24.00
 R = 1,700'

M.L. & P.C. STA. 414+01.40
 M.L. & P.C. STA. 429+08.38 (Back)
 M.L. & P.C. STA. 430+00 (Forward)

STATE OF HAWAII
 DEPARTMENT OF TRANSPORTATION
 HIGHWAYS DIVISION
SIGNING & PAVEMENT MARKINGS
 INTERSTATE ROUTE H-1
 ADDITIONAL LANES, PHASE II
 F.A.I. PROJ. No. IR-HI-1(200)
 Scale: As Shown Date: Feb, 1987
 SHEET No. T2 OF 15 SHEETS

SURVEY PLOTTED BY	DATE
DRAWN BY	
CHECKED BY	
ORIGINAL PLAN	
NOTE BOOK	

FED. ROAD DIST. NO.	STATE	FED. AID PROJ. NO.	FISCAL YEAR	SHEET NO.	TOTAL SHEETS
HAWAII	HAW.	IR-HI-1(206)	1987	26	40



ORIGINAL PLAN	SURVEY PLOTTED BY	DATE
NOTE BOOK	DRAWN BY	
	TRACED BY	
	DESIGNED BY	
	CHECKED BY	

STATE OF HAWAII
DEPARTMENT OF TRANSPORTATION
HIGHWAYS DIVISION

SIGNING AND PAVEMENT MARKINGS

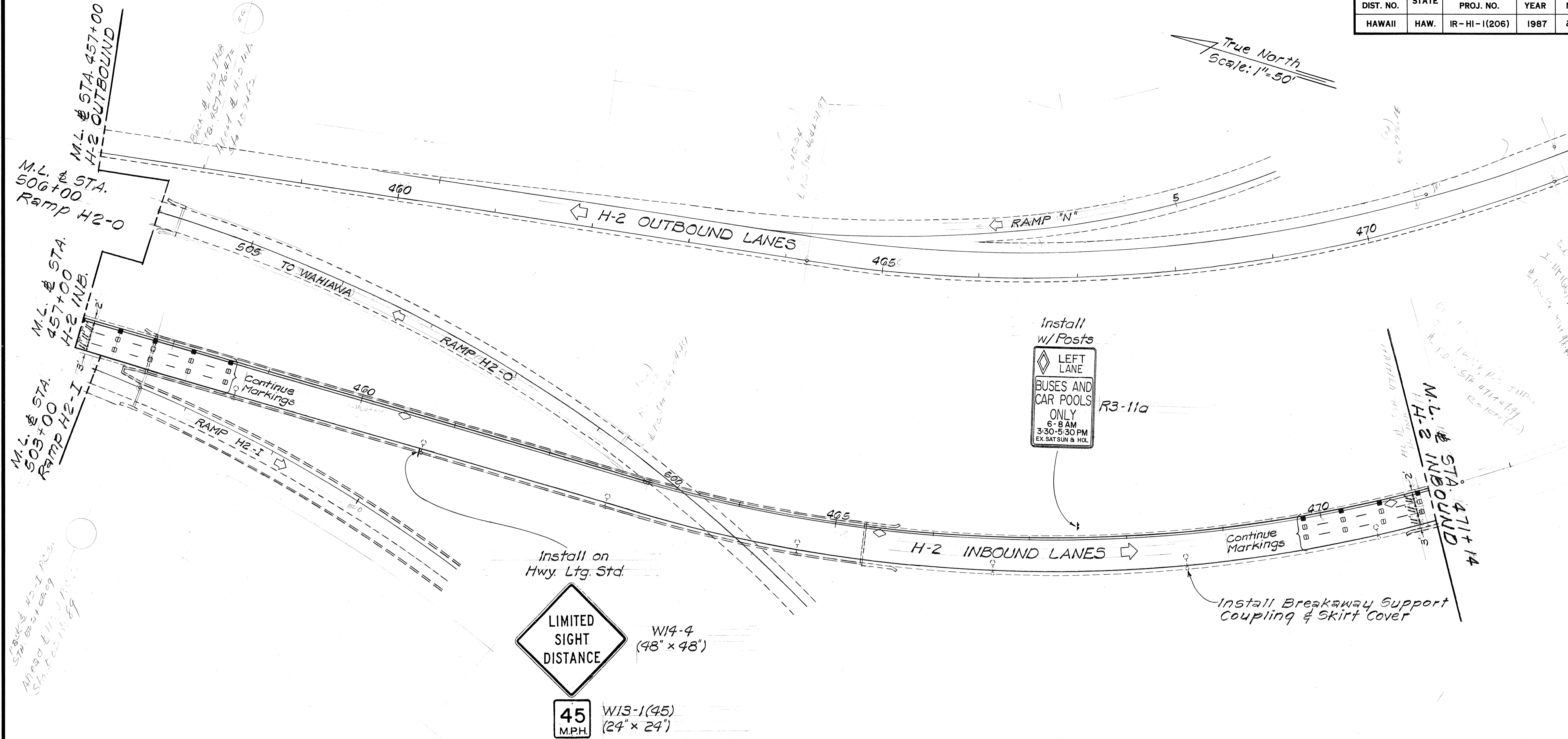
INTERSTATE ROUTE H-1
ADDITIONAL LANES, PHASE II
F.A.I. PROJ. NO. IR-HI-1(206)

Scale: As Shown Date: Feb. 1987

SHEET No. 73 OF 15 SHEETS

FED. ROAD DIST. NO.	STATE	FED. AID PROJ. NO.	FISCAL YEAR	SHEET NO.	TOTAL SHEETS
HAWAII	HAW.	IR-HI-1(206)	1987	27	40

True North
Scale: 1"=50'



Check H-2 I. B. Sta. 457+00 to 477+14. Ramps H-2 I. B. Sta. 457+00 to 477+14. Ramps H-2 O. Sta. 457+00 to 477+14.

DATE	REVISION
4/15/87	Install Breakaway Support Coupling & Skirt Cover @ H-2 I.B. Sta. 468+50 Rt.

STATE OF HAWAII
DEPARTMENT OF TRANSPORTATION
HIGHWAYS DIVISION
SIGNING AND PAVEMENT MARKINGS
INTERSTATE ROUTE H-1
ADDITIONAL LANES, PHASE II
F.A.I. PROJ. NO. IR-HI-1(206)
Scale: As Shown Date: Feb. 1987
SHEET NO. 27 OF 15 SHEETS

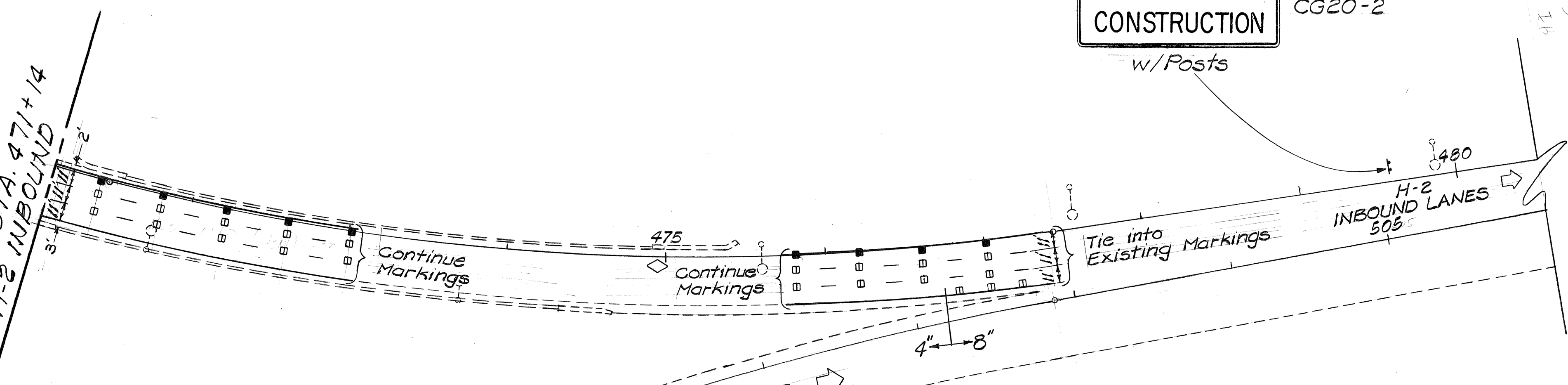
SURVEY PLOTTED BY	DATE
DRAWN BY	
TRACED BY	
DESIGNED BY	
CHECKED BY	
NOTE BOOK NO.	

FED. ROAD DIST. NO.	STATE	FED. AID PROJ. NO.	FISCAL YEAR	SHEET NO.	TOTAL SHEETS
HAWAII	HAW.	IR-HI-1(206)	1987	28	40

Install
END CONSTRUCTION
w/Posts
CG20-2

True North
Scale: 1"=50'

M.L. & STA. 471+14
H-2 INBOUND

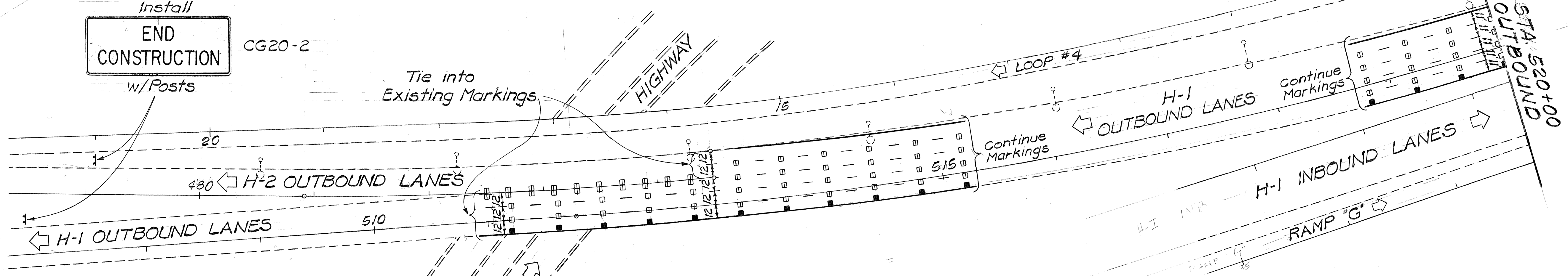


Remove Existing Milepost Marker (M.P. 9) and Install New Milepost Marker (M.P. 9) on Highway Lighting Standard.

MILE
9
D10-4

True North
Scale: 1"=50'

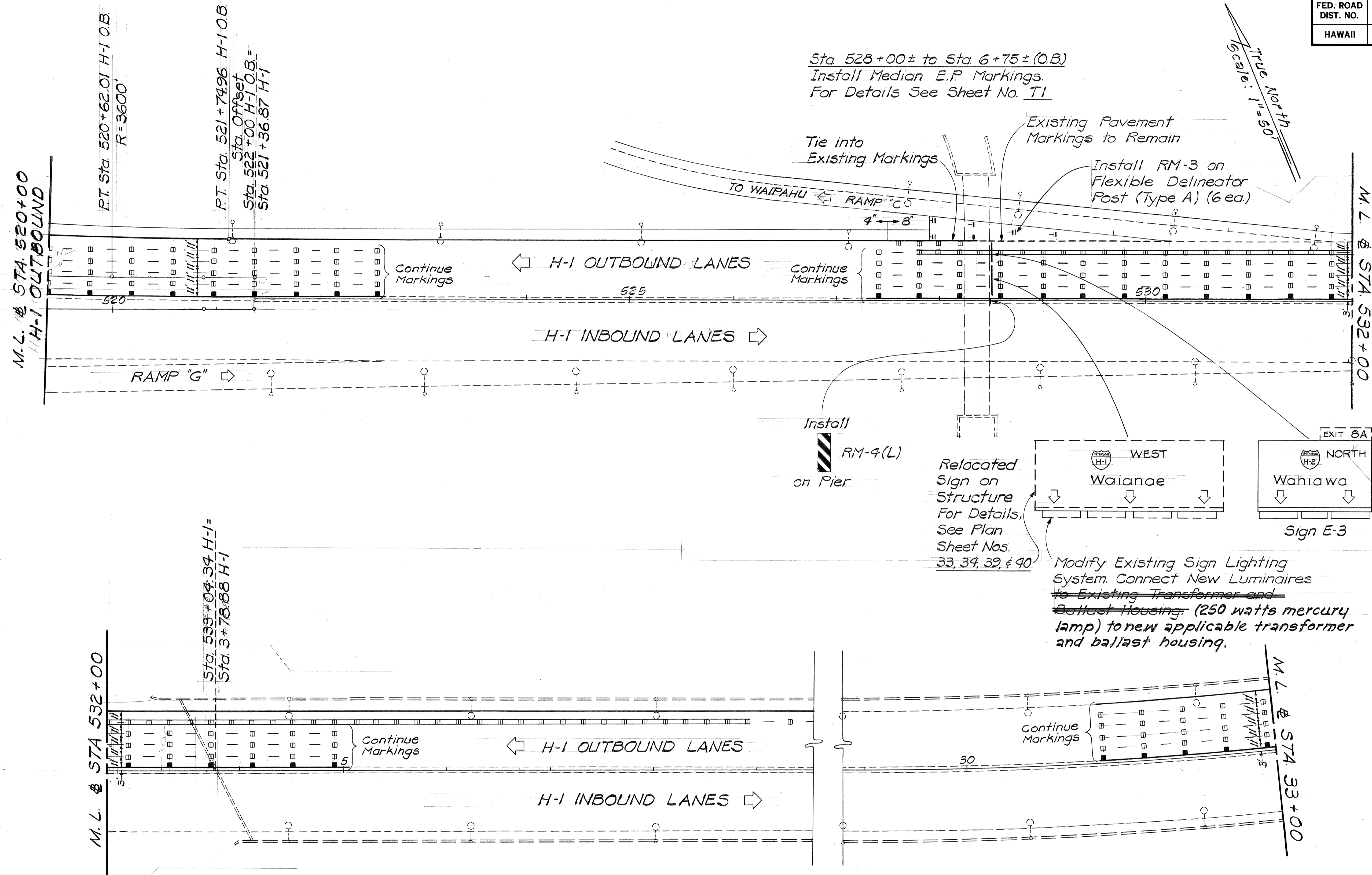
Install
END CONSTRUCTION
w/Posts
CG20-2



STATE OF HAWAII
DEPARTMENT OF TRANSPORTATION
HIGHWAYS DIVISION
SIGNING AND PAVEMENT MARKINGS
INTERSTATE ROUTE H-1
ADDITIONAL LANES, PHASE II
F.A.I. PROJ. NO. IR-HI-1(206)
Scale: As Shown Date: Feb. 1987
SHEET No. 28 OF 15 SHEETS

SURVEY PLOTTED BY	DATE
DRAWN BY	
TRACED BY	
QUANTITIES BY	
CHECKED BY	
NO.	

FED. ROAD DIST. NO.	STATE	FED. AID PROJ. NO.	FISCAL YEAR	SHEET NO.	TOTAL SHEETS
HAWAII	HAW.	IR-HI-1(206)	1987	20	40



DATE	_____
SURVEY PLOTTED BY	_____
DRAWN BY	_____
DESIGNED BY	_____
QUANTITIES BY	_____
CHECKED BY	_____
NO.	_____

STATE OF HAWAII
DEPARTMENT OF TRANSPORTATION
HIGHWAYS DIVISION

SIGNING AND PAVEMENT MARKINGS

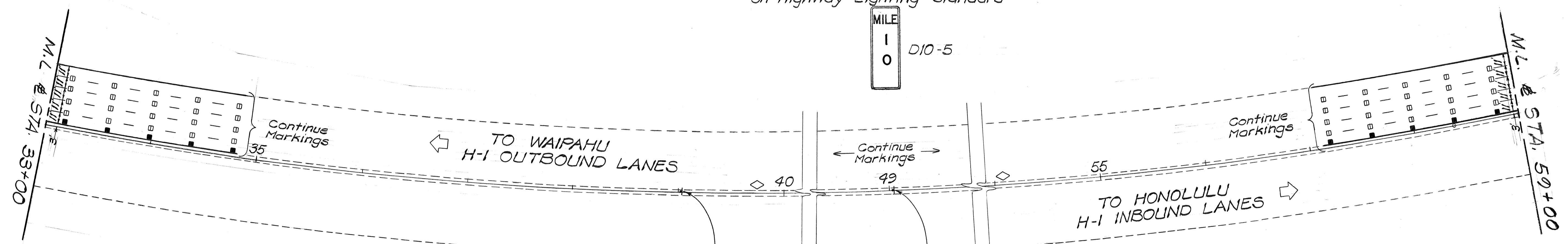
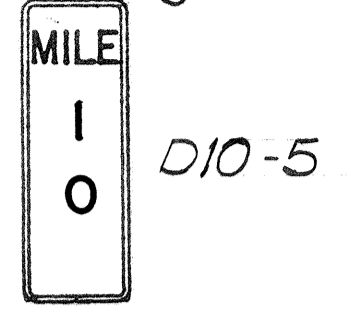
INTERSTATE ROUTE H-1
ADDITIONAL LANES, PHASE II
F.A.I. PROJ. NO. IR-HI-1(206)

Scale: As Shown Date: Feb. 1987

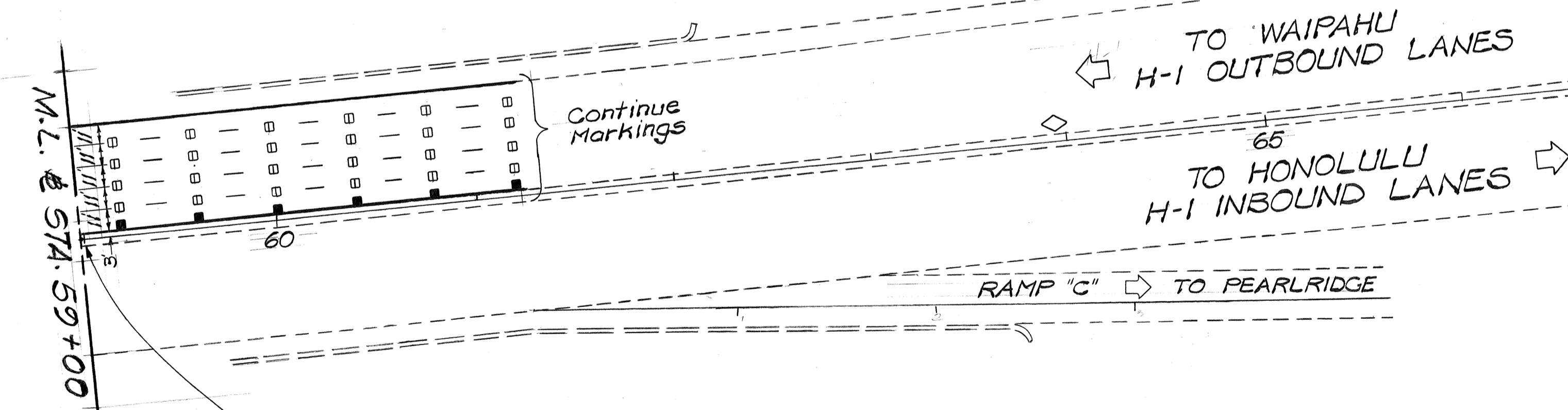
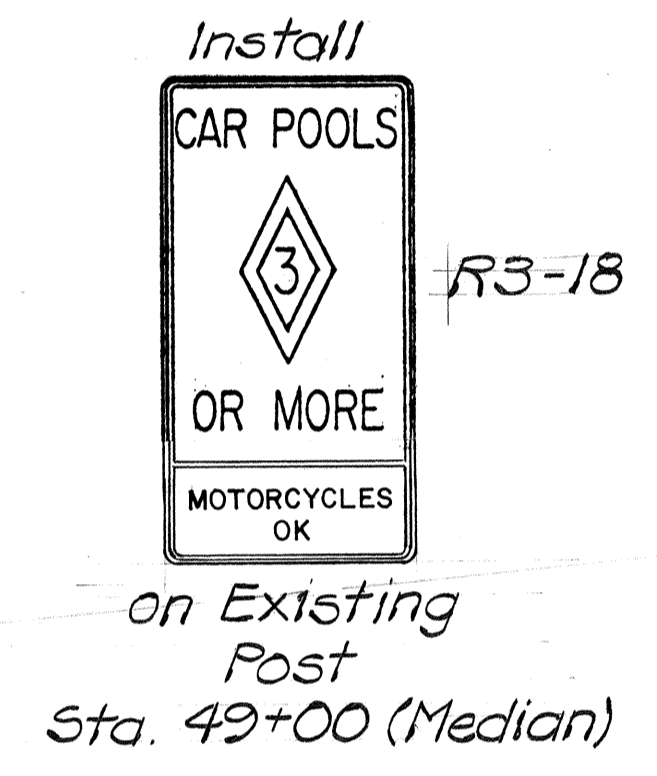
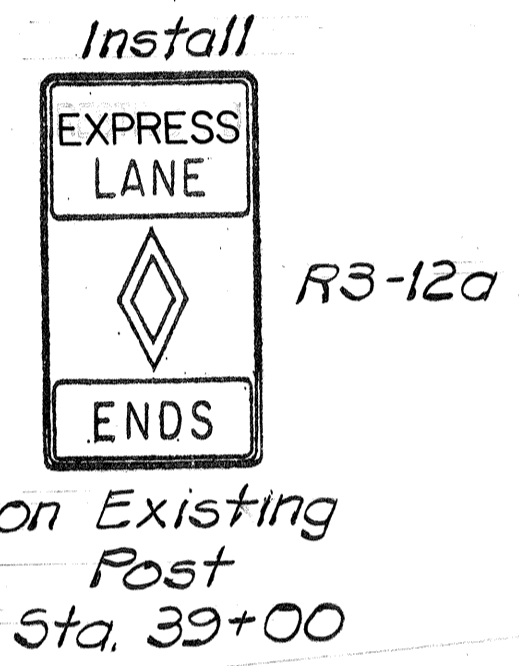
SHEET No. 76 OF 15 SHEETS

FED. ROAD DIST. NO.	STATE	FED. AID PROJ. NO.	FISCAL YEAR	SHEET NO.	TOTAL SHEETS
HAWAII	HAW.	IR-HI-1(206)	1987	30	40

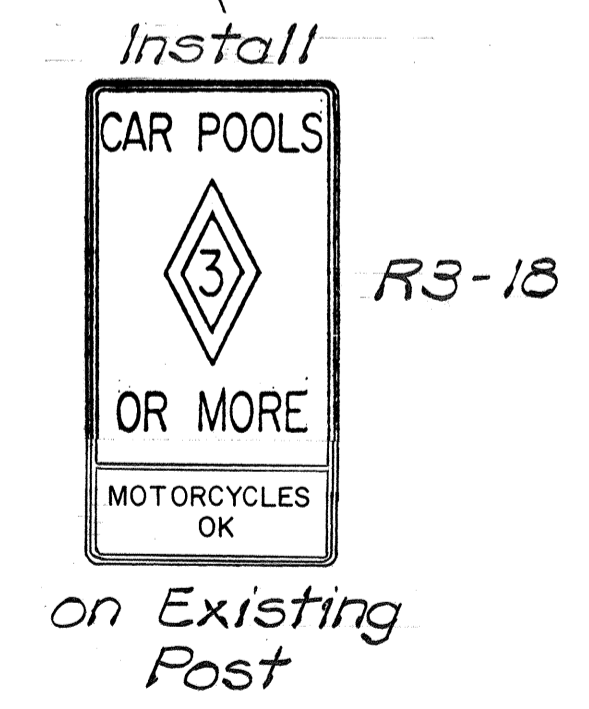
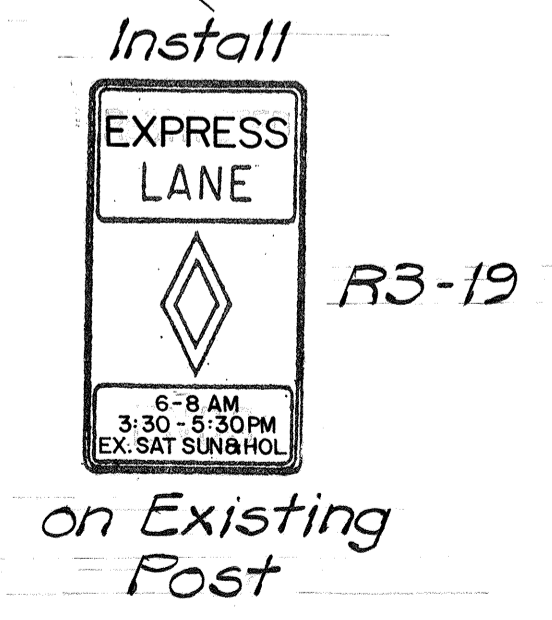
Sta. 42+50 Lt.
 Remove Existing Milepost Marker (M.P. 10)
 and Install New Milepost Marker (M.P. 10)
 on Highway Lighting Standard



True North
 Scale: 1" = 50'



True North
 Scale: 1" = 50'



STATE OF HAWAII
 DEPARTMENT OF TRANSPORTATION
 HIGHWAYS DIVISION

SIGNING AND PAVEMENT MARKINGS

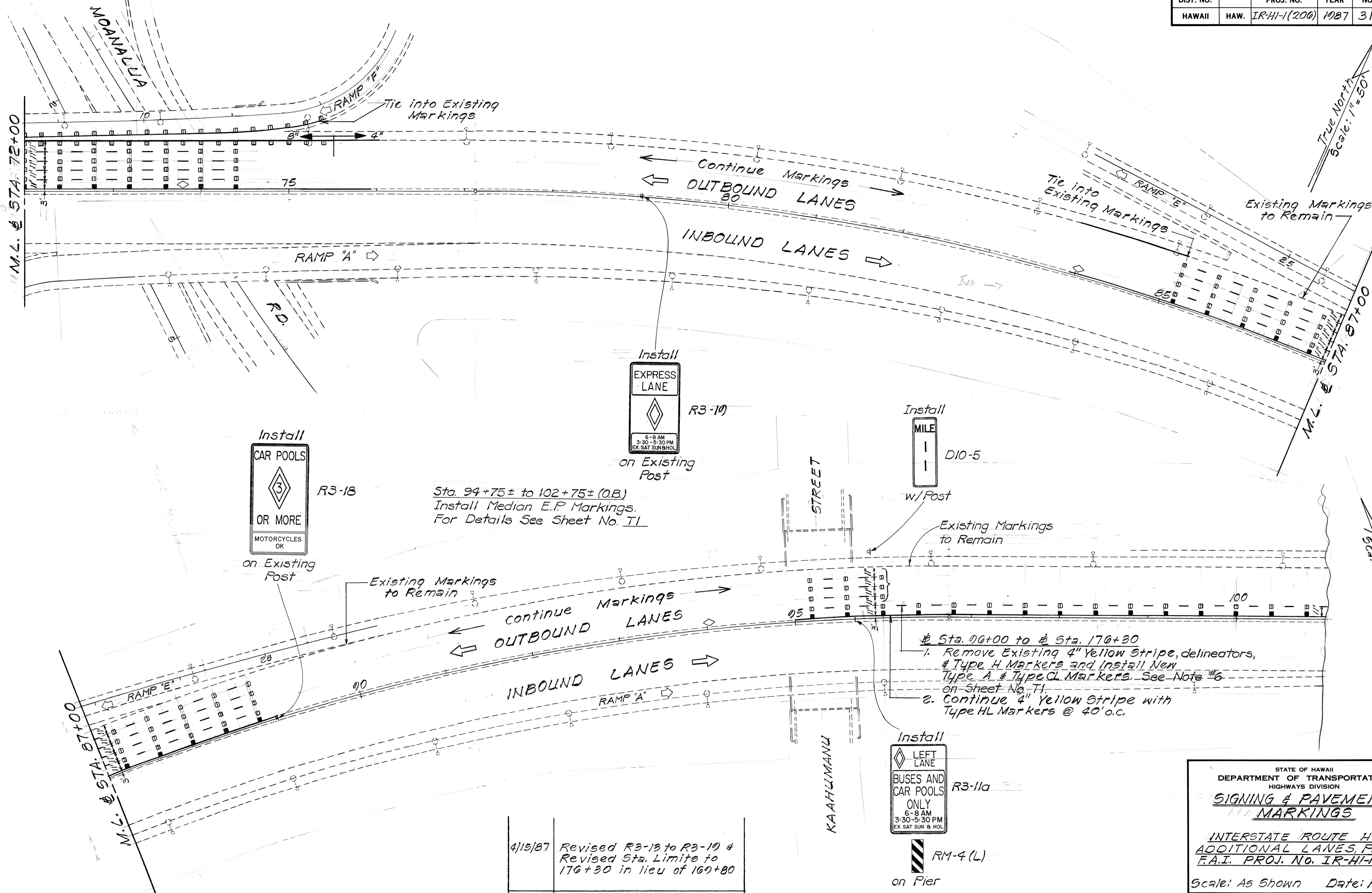
INTERSTATE ROUTE H-1
 ADDITIONAL LANES, PHASE II
 F.A.I. PROJ. NO. IR-HI-1(206)

Scale: As Shown Date: Feb. 1987

SHEET No. 77 OF 15 SHEETS

DATE	_____
SURVEY PLOTTED BY	_____
DRAWN BY	_____
TRACED BY	_____
DESIGNED BY	_____
CHECKED BY	_____
NO.	_____

FED. ROAD DIST. NO.	STATE	FED. AID PROJ. NO.	FISCAL YEAR	SHEET NO.	TOTAL SHEETS
HAWAII	HAW.	IR-HI-1(206)	1987	31	40



Install
CAR POOLS
 (3)
OR MORE
 MOTORCYCLES OK
 on Existing Post R3-18

Install
EXPRESS LANE
 (diamond symbol)
 6-8 AM
 3:30-5:30 PM
 EX. SAT. SUN & HOLIDAY
 on Existing Post R3-19

Install
MILE
 1
 1
 w/Post D10-5

Install
LEFT LANE
BUSES AND CAR POOLS ONLY
 6-8 AM
 3:30-5:30 PM
 EX. SAT. SUN & HOLIDAY
 on Pier R3-11a

Sta. 94+75± to 102+75± (O.B.)
 Install Median E.P. Markings.
 For Details See Sheet No. T1

- Sta. 99+00 to Sta. 170+30
1. Remove Existing 4" Yellow Stripe, delineators, & Type H Markers and Install New Type A & Type CL Markers. See Note #6 on Sheet No. T1.
 2. Continue 4" Yellow Stripe with Type HL Markers @ 40' o.c.

DATE	REVISION
4/15/87	Revised R3-18 to R3-19 & Revised Sta. Limits to 170+30 in lieu of 167+80

STATE OF HAWAII
 DEPARTMENT OF TRANSPORTATION
 HIGHWAYS DIVISION
SIGNING & PAVEMENT MARKINGS
 INTERSTATE ROUTE H-1
 ADDITIONAL LANES, PHASE II
 F.A.I. PROJ. No. IR-HI-1(206)
 Scale: As Shown Date: Feb., 1987
 SHEET No. T8 OF 15 SHEETS

SURVEY PLOTTED BY	DATE
DRAWN BY	
TRACED BY	
CHECKED BY	
NOTE BOOK	
NO.	

FED. ROAD DIST. NO.	STATE	FED. AID PROJ. NO.	FISCAL YEAR	SHEET NO.	TOTAL SHEETS
HAWAII	HAW.	IR-HI-1(206)	1987	32	40

Sta. 172+00± to 180+00± (O.B.)
Install Median E.P. Markings.
For Details See Sheet No. T1

Install
LEFT LANE
BUSES AND CAR POOLS ONLY
6-8 AM
3:30-5:30 P.M.
EX. SAT SUN & HOL.
R3-11a

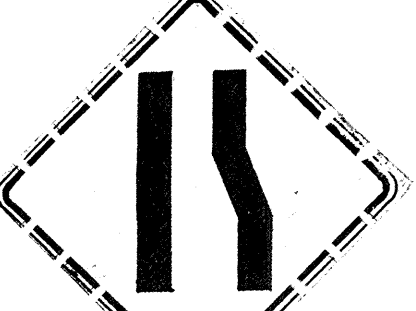
RM-4(L)
on Pier

Tie into Existing Markings

Sta. 170+30

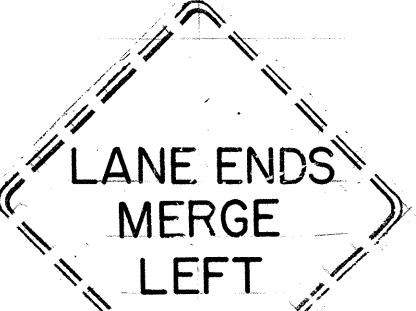
Install CW20-1d
ROAD CONSTRUCTION AHEAD
w/Posts
Sta. 190+50± (Lt.)

CW14-2(L)
Remove



w/Posts
Sta. 194+20± (Lt.)

CW0-2(L)
Remove



w/Posts
Sta. 197+80± (Lt.)

Sta. 138+75± to 146+75± (O.B.)
Install Median E.P. Markings.
For Details See Sheet No. T1

Sta. 176+30 to Sta. 185+30
Remove all existing lane markings and existing delineators and replace with new lane markings.
See Note #6 on Sheet No. T1

Sta. 202+50± (Lt.)
Install Milepost Marker (M.P. 13)

MILE 1 3
D10-5
w/Post

Sta. 148+90± (Lt.)
Install Milepost Marker (M.P. 12)

MILE 1 2
D10-5
w/Post

True North
Scale: 1"=50'

Sta. 185+30

Tie into Existing Markings

w/Post

M.L. STA. 170+00

Mahiko Street Pedestrian Overpass

Continue Markings

OUTBOUND LANES

INBOUND LANES

LANES

Continue Pavement Diamond @ 1000' O.C. to Sta. 235+00

Install
CAR POOLS OR MORE
MOTORCYCLES OK
on Pier
R3-18

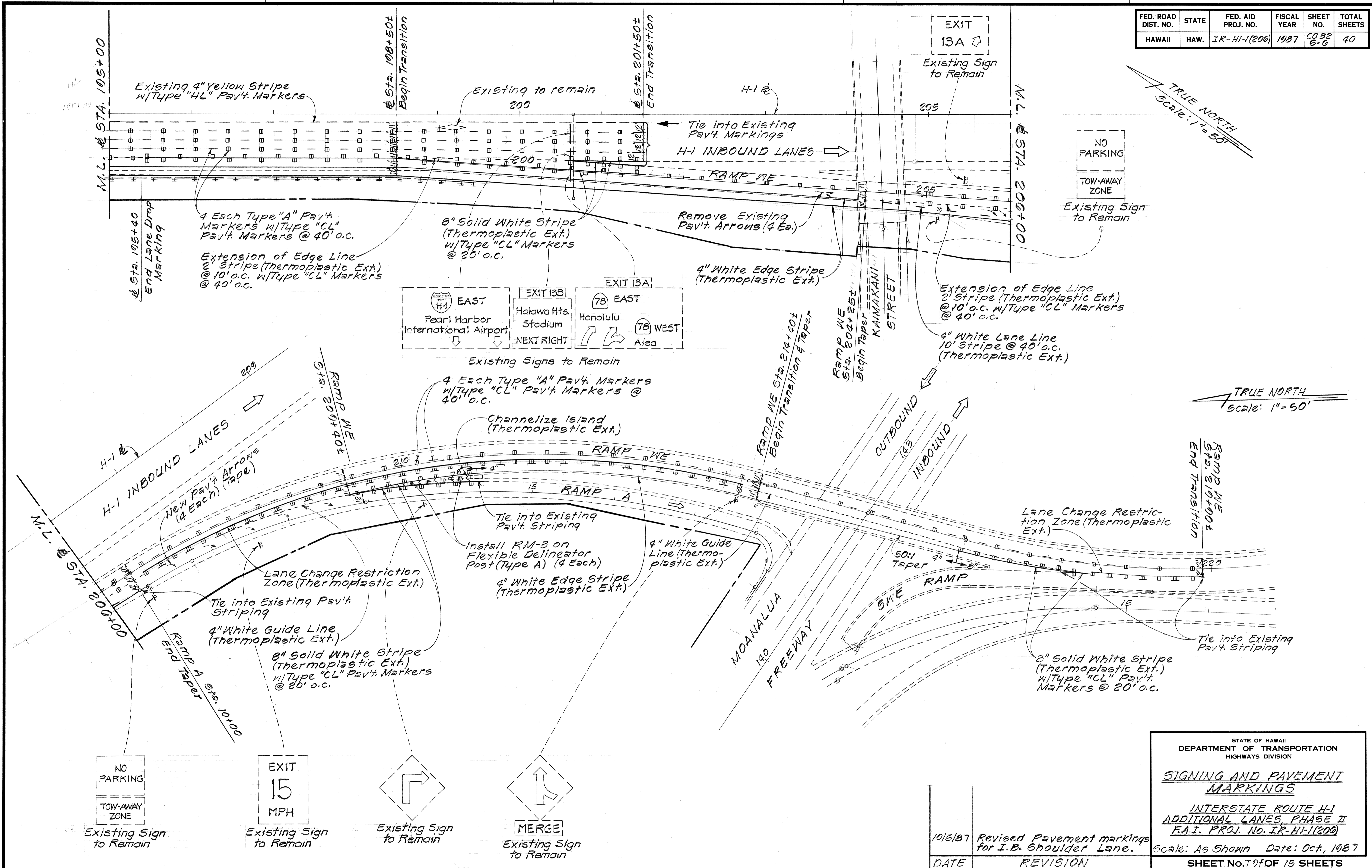
4/15/87 Revised Pavement Markings
Sta. 180+30 to Sta. 176+30.

DATE	REVISION
4/15/87	Revised Pavement Markings Sta. 180+30 to Sta. 176+30.

STATE OF HAWAII
DEPARTMENT OF TRANSPORTATION
HIGHWAYS DIVISION
SIGNING & PAVEMENT MARKINGS
INTERSTATE ROUTE H-1
ADDITIONAL LANES, PHASE II
F.A.I. PROJ. No. IR-HI-1(206)
Scale: As Shown Date: Feb, 1987
SHEET No. 79 OF 15 SHEETS

SURVEY PLOTTED BY	DATE
DRAWN BY	
DESIGNED BY	
CHECKED BY	
ORIGINAL PLAN	
NOTE BOOK	
No.	

FED. ROAD DIST. NO.	STATE	FED. AID PROJ. NO.	FISCAL YEAR	SHEET NO.	TOTAL SHEETS
HAWAII	HAW.	IR-HI-1(206)	1987	CO 32 S-6	40



DATE	
SURVEY PLOTTED BY	
DRAWN BY	
TRACED BY	
DESIGNED BY	
CHECKED BY	
NO.	

10/5/87	Revised Pavement markings for I.B. Shoulder Lane.
DATE	REVISION

STATE OF HAWAII
DEPARTMENT OF TRANSPORTATION
HIGHWAYS DIVISION

SIGNING AND PAVEMENT MARKINGS

INTERSTATE ROUTE HI
ADDITIONAL LANES, PHASE II
F.A.I. PROJ. NO. IR-HI-1(206)

Scale: As Shown Date: Oct, 1987

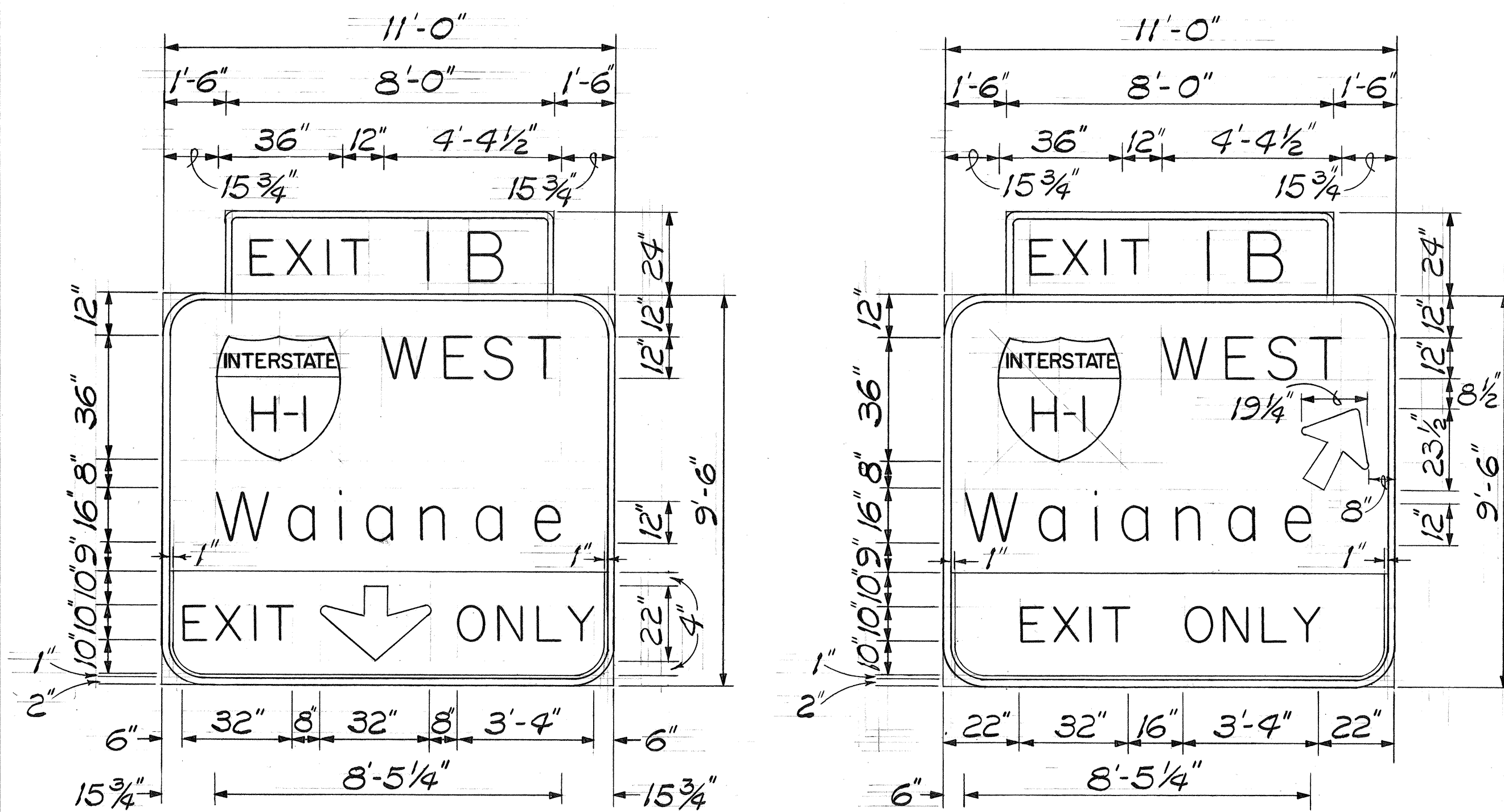
SHEET No. 7 OF 15 SHEETS

CO 32 S-6

FED. ROAD DIST. NO.	STATE	FED. AID PROJ. NO.	FISCAL YEAR	SHEET NO.	TOTAL SHEETS
HAWAII	HAW.	IR-HI-1(206)	1987	33	40

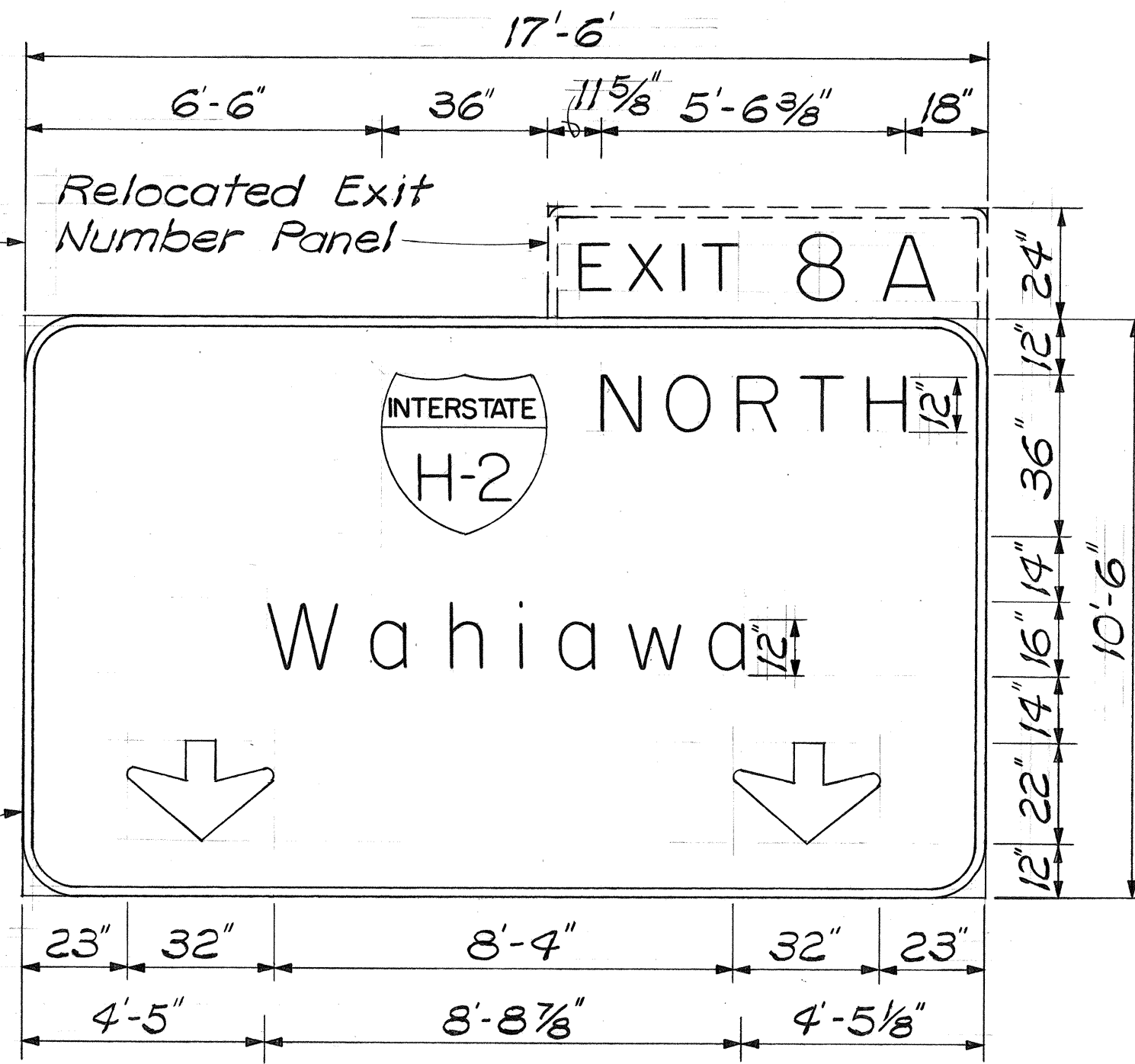
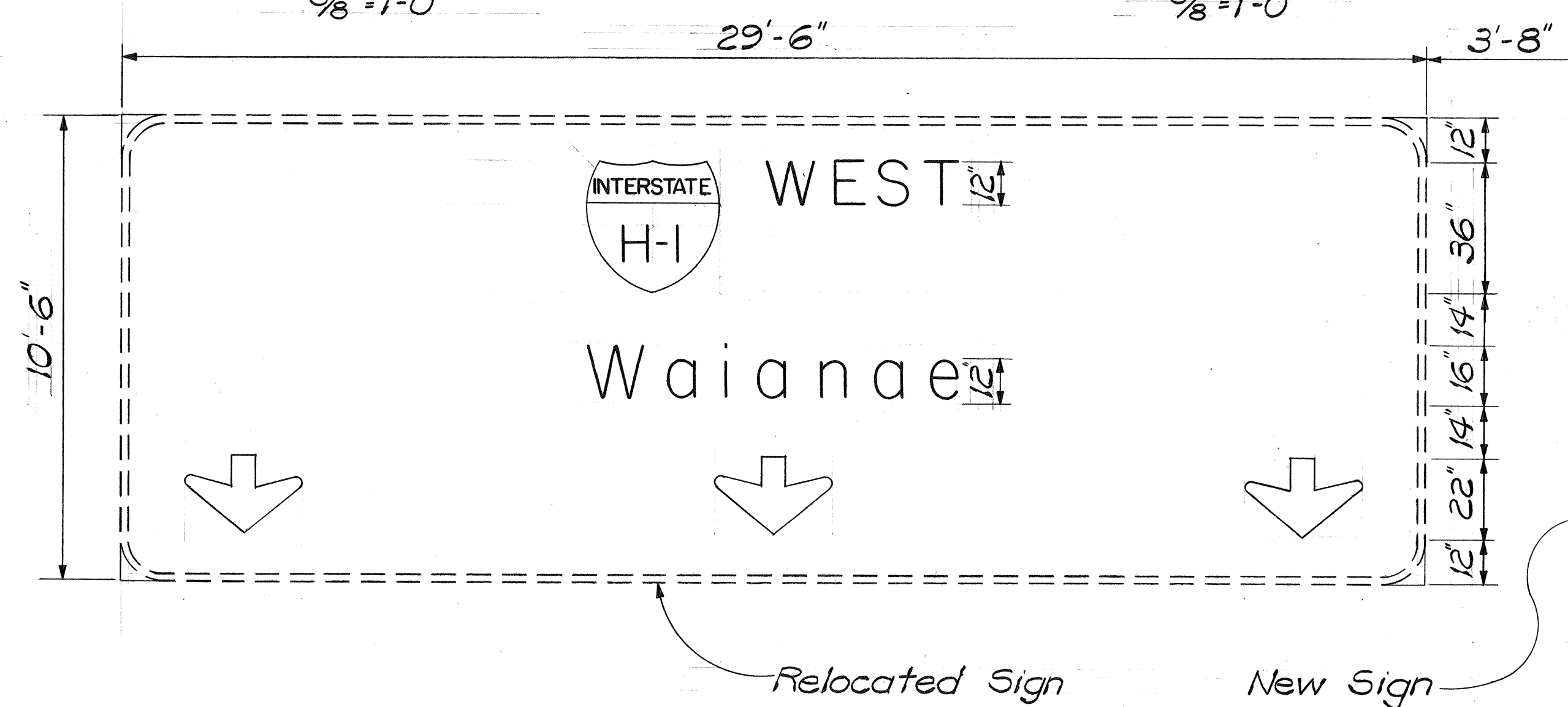
GENERAL NOTES

- Signs shall conform to the latest editions and amendments of the following FHWA publications:
 - "Manual on Uniform Traffic Control Devices for Streets and Highways" (MUTCD)
 - "Standard Highway Signs"
 - "Standard Alphabets for Highway Signs"
- Letter Size:
 - When letters are all uppercase use Series "E"
 - When initial uppercase letter is used in conjunction with lowercase letters, use Series "E"(M) for uppercase letter.
- Borders shall be 2" wide unless otherwise noted. Corner radii shall be in accordance with Standard Plan TE-14.
- Interstate and State Route Marker symbols shall conform to details as shown on the plans and as specified in the MUTCD.
- New sign panels shall be laminated aluminum or extruded aluminum.
- Overlays shall be as specified in Section 621 of the Special Provisions.
- For details of Exit Number Panels see sheet # T14
- "EXIT ONLY" panels shall have a black legend on a high intensity reflectorized yellow background.

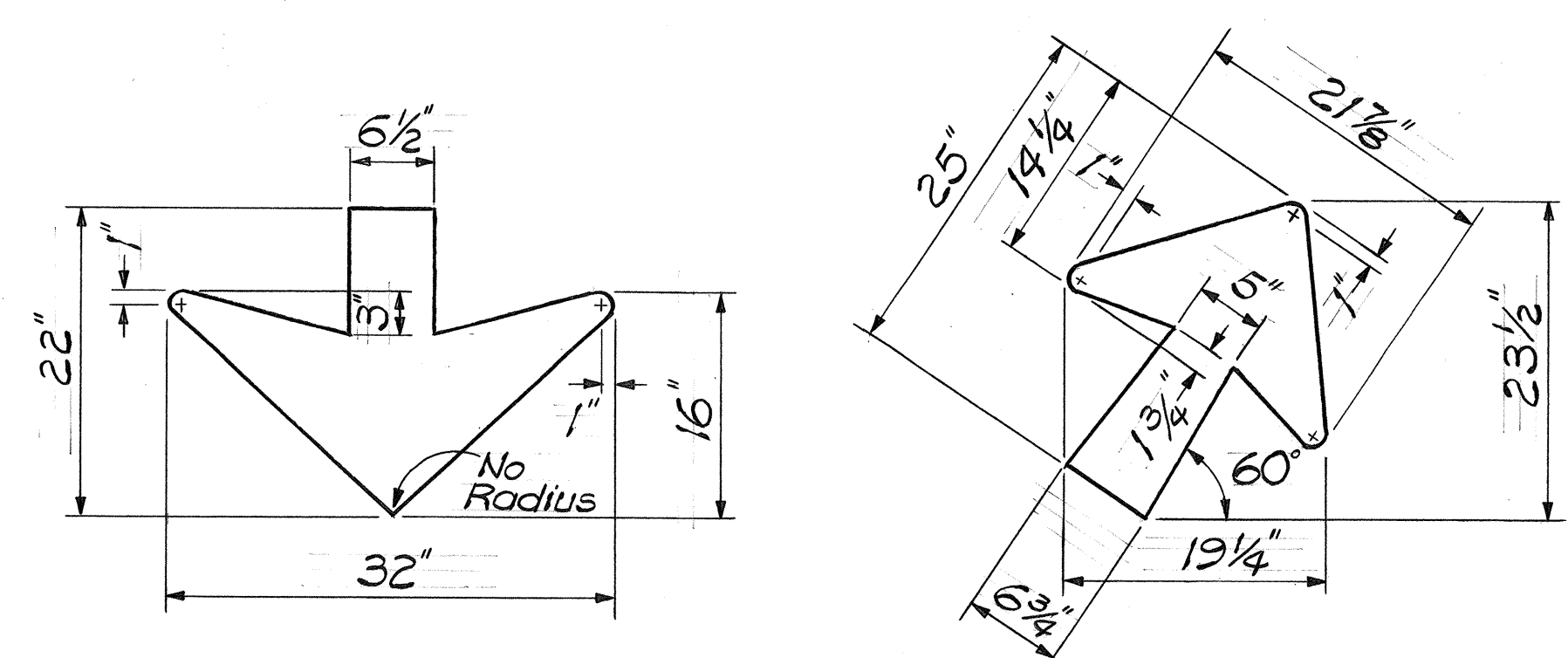


SIGN E-1
 @ Sta. 415+00 I.B.
 3/8"=1'-0"

SIGN E-2
 @ Sta. 432+95 I.B.
 3/8"=1'-0"



SIGN E-3
 @ Sta. 528+37.35 O.B.
 3/8"=1'-0"



ARROW DETAILS
 1"=1'-0"

SURVEY PLOTTED BY	DATE
DRAWN BY	
TRACED BY	
DESIGNED BY	
QUANTITIES BY	
CHECKED BY	
ORIGINAL PLAN	No.
NOTE BOOK	

STATE OF HAWAII
 DEPARTMENT OF TRANSPORTATION
 HIGHWAYS DIVISION

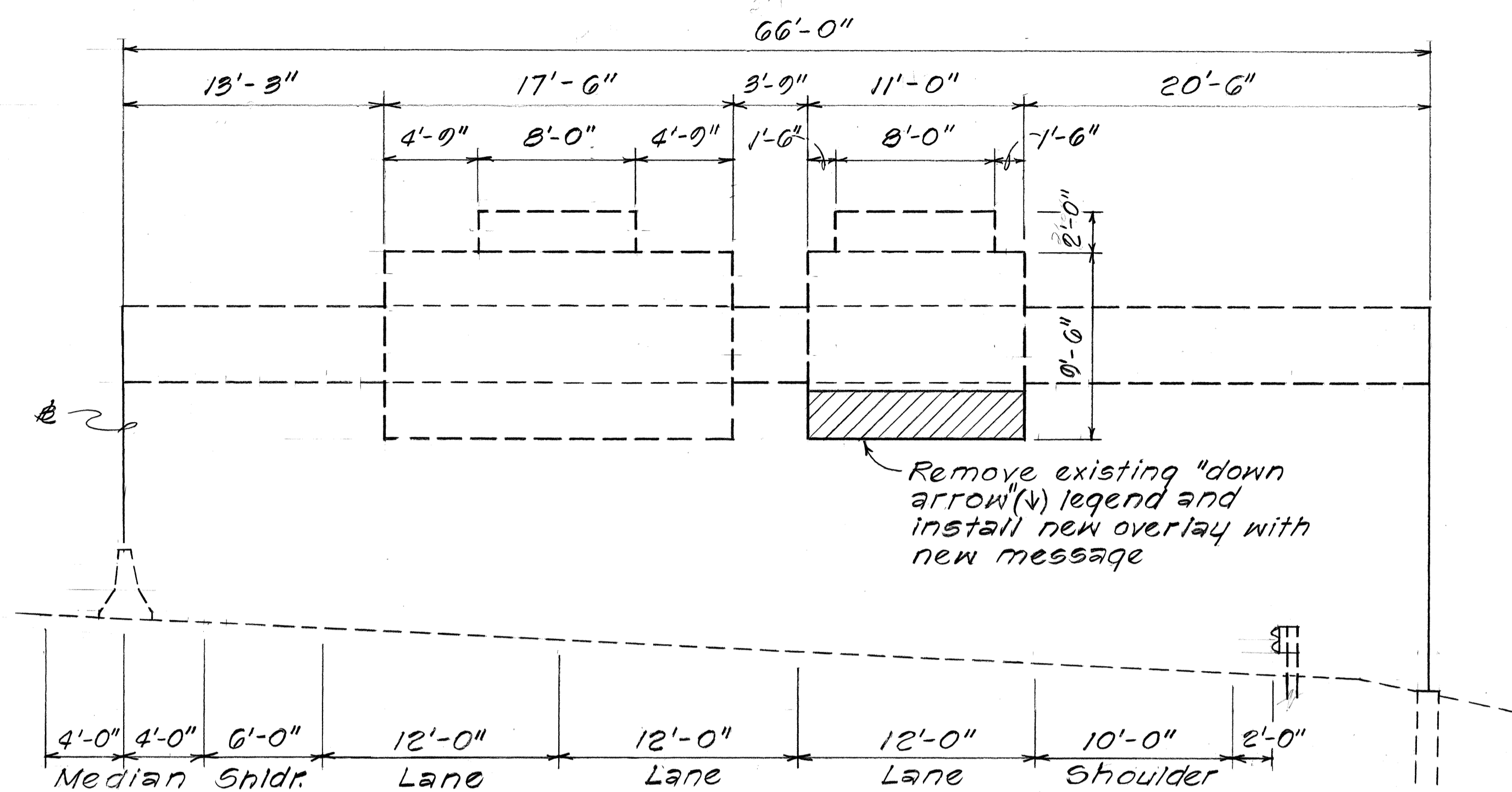
PANEL LAYOUTS

INTERSTATE ROUTE H-1
 ADDITIONAL LANES, PHASE II
 F.A.I. PROJ. NO. IR-HI-1(206)

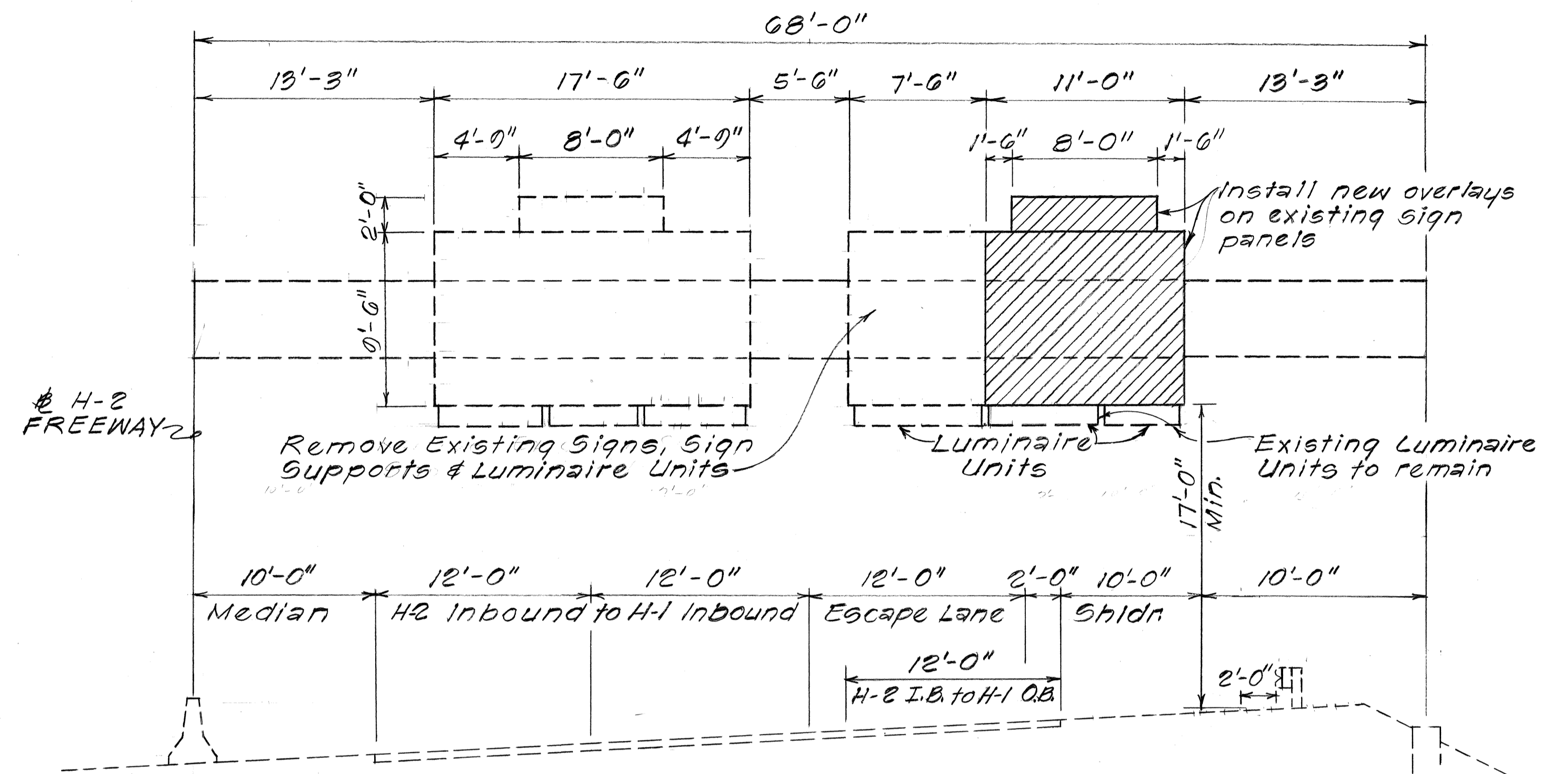
Scale: As Shown Date: Feb. 1987

SHEET NO. T10 OF 15 SHEETS

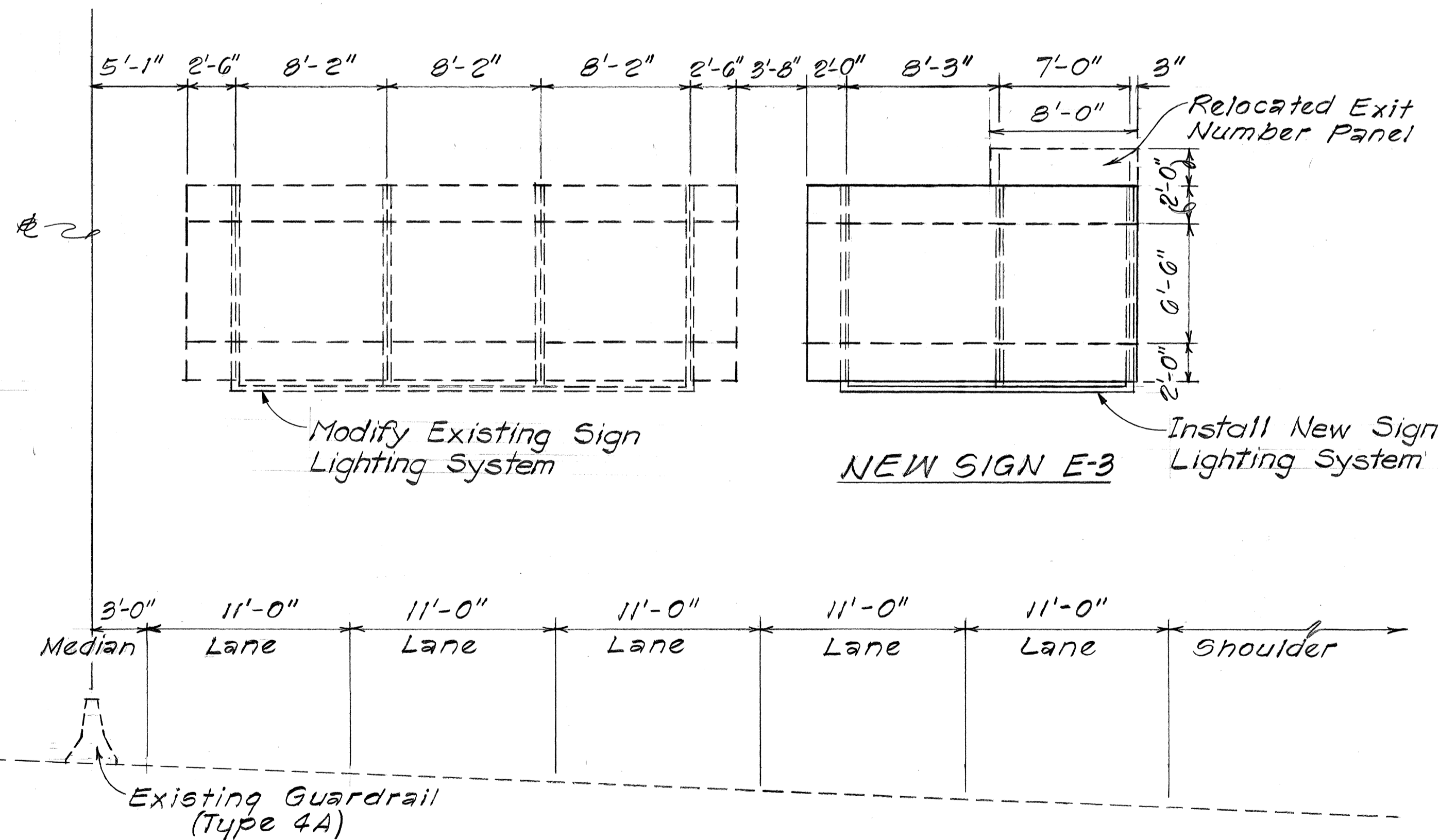
FED. ROAD DIST. NO.	STATE	FED. AID PROJ. NO.	FISCAL YEAR	SHEET NO.	TOTAL SHEETS
HAWAII	HAW.	IR-HI-1(200)	1987	34	40



SIGN E-1
 @ Sta. 415+00 I.B.
 Scale: 3/16" = 1'-0"



SIGN E-2
 @ Sta. 432+05 I.B.
 Scale: 3/16" = 1'-0"



SIGNS ON WAIANA RD.
SIGN REALIGNMENT OVERPASS
 @ Sta. 528+37.35
 Scale: 3/16" = 1'-0"

GENERAL NOTES

1. The final positions of sign panels above the roadway shall be approved by the Engineer.
2. The amount and center-to-center spacing of expressway sign luminaires shall be in accordance with the luminaire manufacturer's instructions. Maximum center-to-center spacing of luminaires shall be 10'-0".
3. The Contractor shall verify the locations and dimensions of existing expressway sign panels and supports.
4. For details of Sign Lighting, refer to Sheet No. S1 & S2 and to Standard Plan TE-28.

DATE	
SURVEY PLOTTED BY	
DESIGNED BY	
TRACED BY	
NOTE BOOK	
QUANTITIES BY	
CHECKED BY	

4/15/87	Revised dimensions on Sign E-3
DATE	REVISION

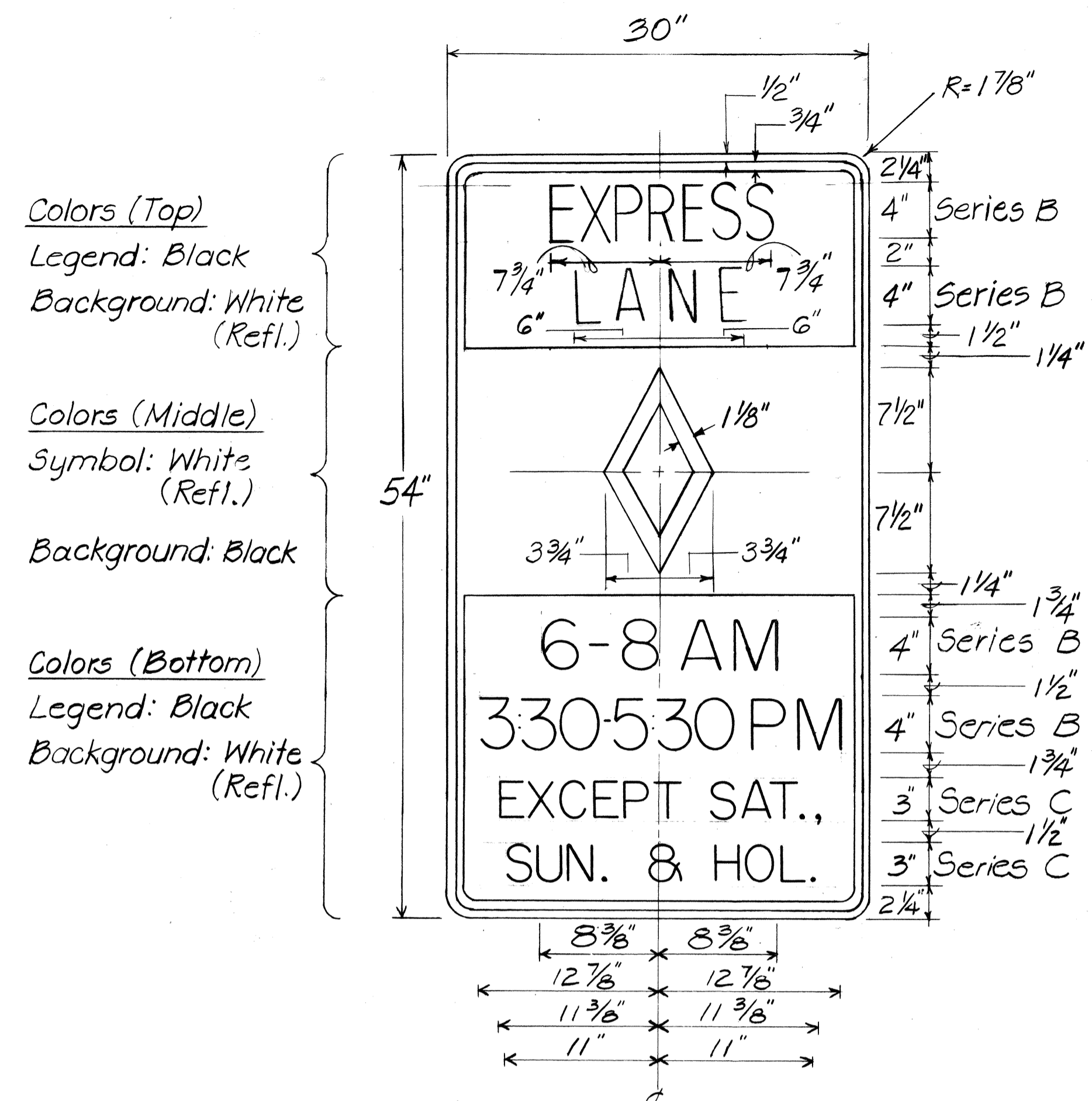
STATE OF HAWAII
 DEPARTMENT OF TRANSPORTATION
 HIGHWAYS DIVISION

FRAME LAYOUT

INTERSTATE ROUTE H-1
 ADDITIONAL LANES, PHASE II
 F.A.I. PROJ. No. IR-HI-1(200)

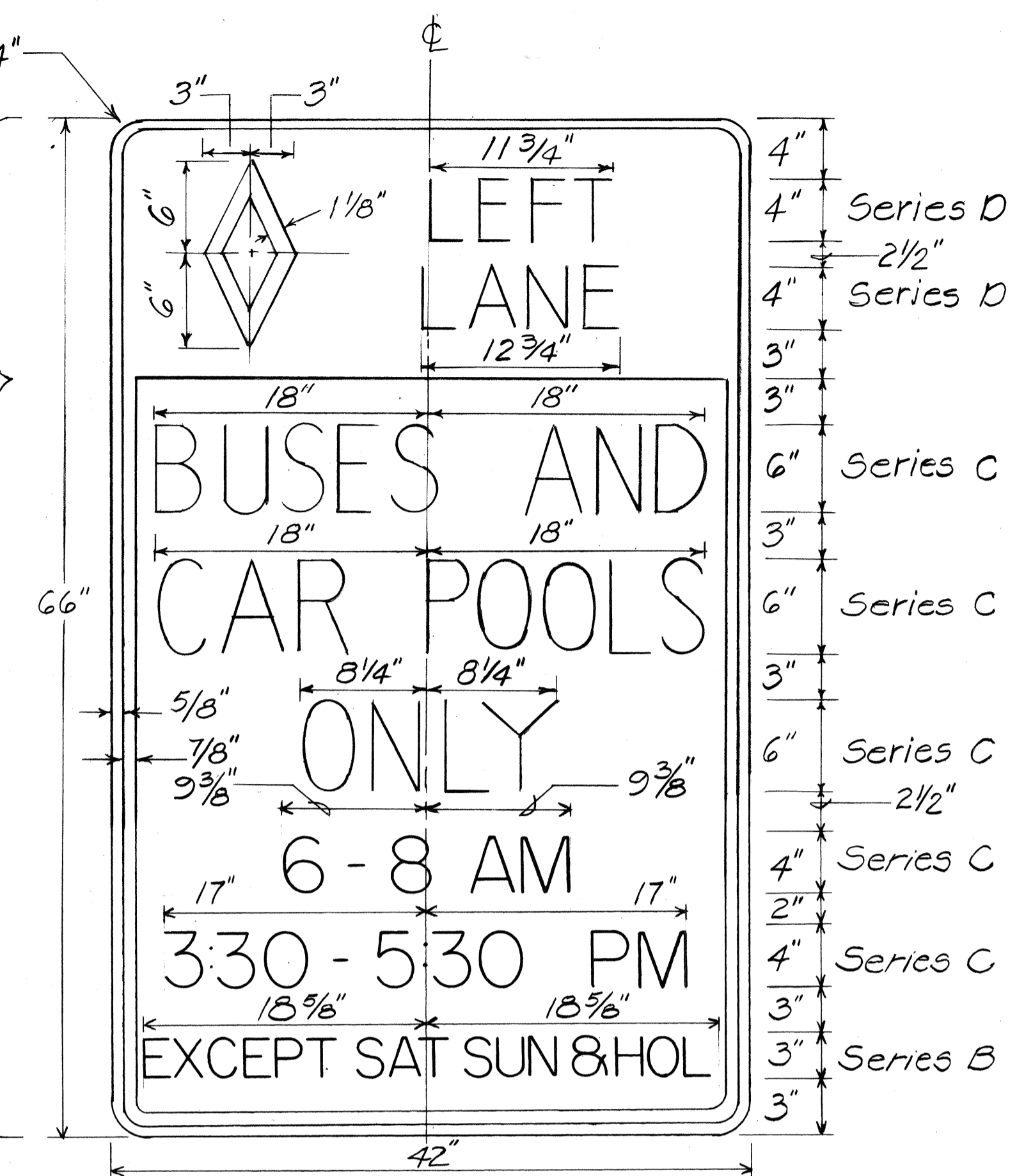
Scale: As Shown Date: Feb., 1987
 SHEET No. 11 OF 15 SHEETS

FED. ROAD DIST. NO.	STATE	FED. AID PROJ. NO.	FISCAL YEAR	SHEET NO.	TOTAL SHEETS
HAWAII	HAW.	IR-HI-1(206)	1987	35	40

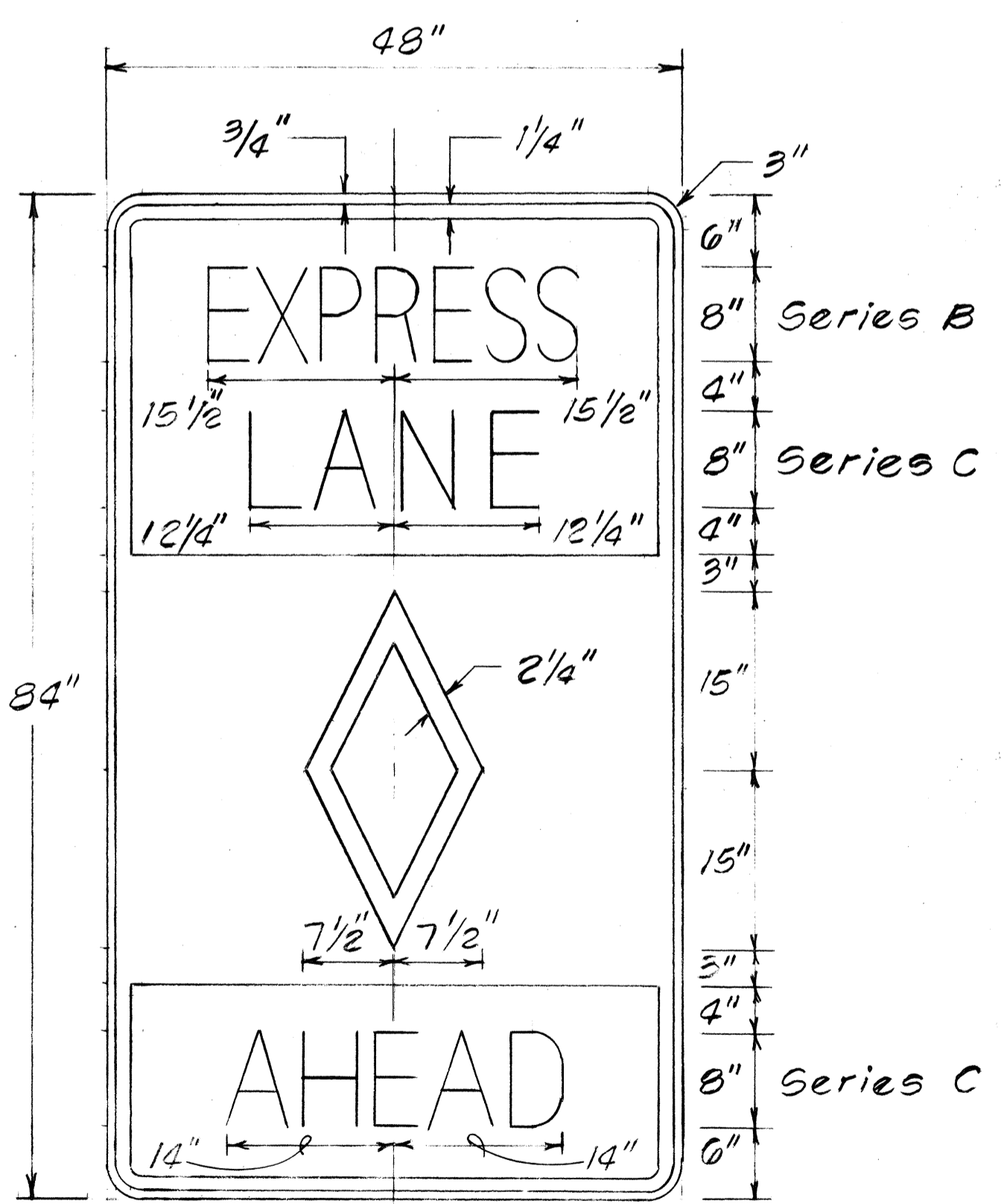
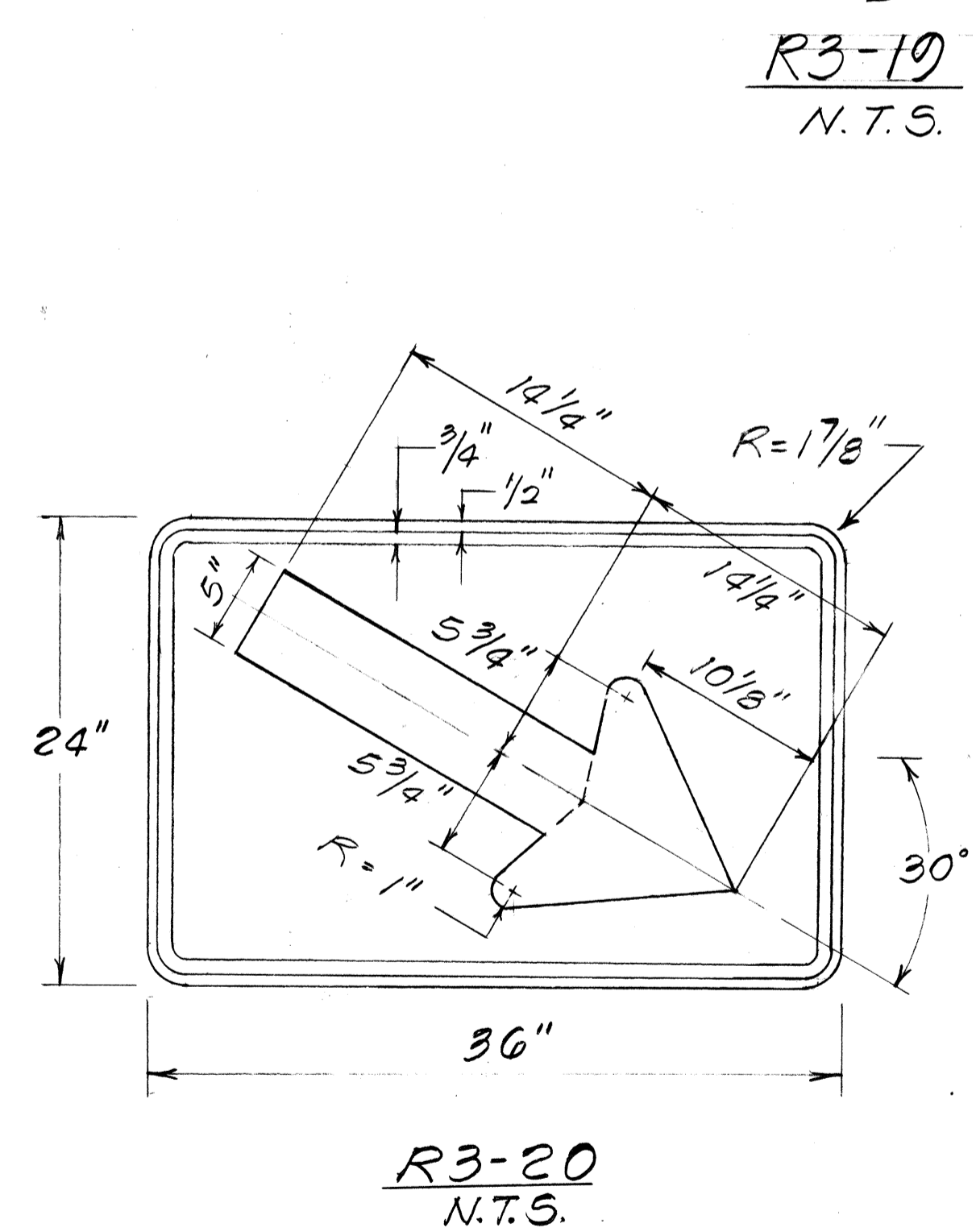
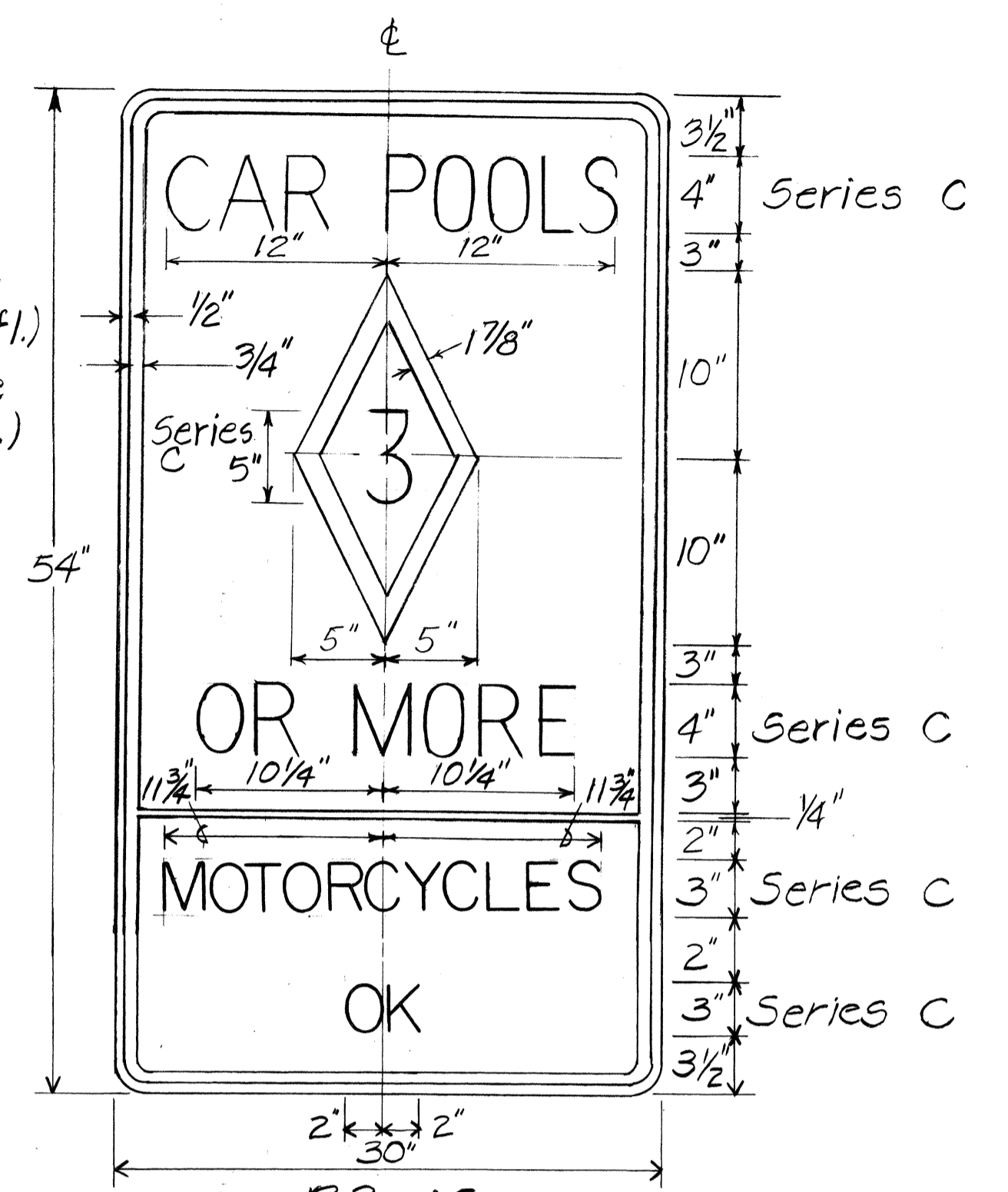


Colors (Top)
Legend: White (Refl.)
Symbol: White (Refl.)
on Black
Background: Black

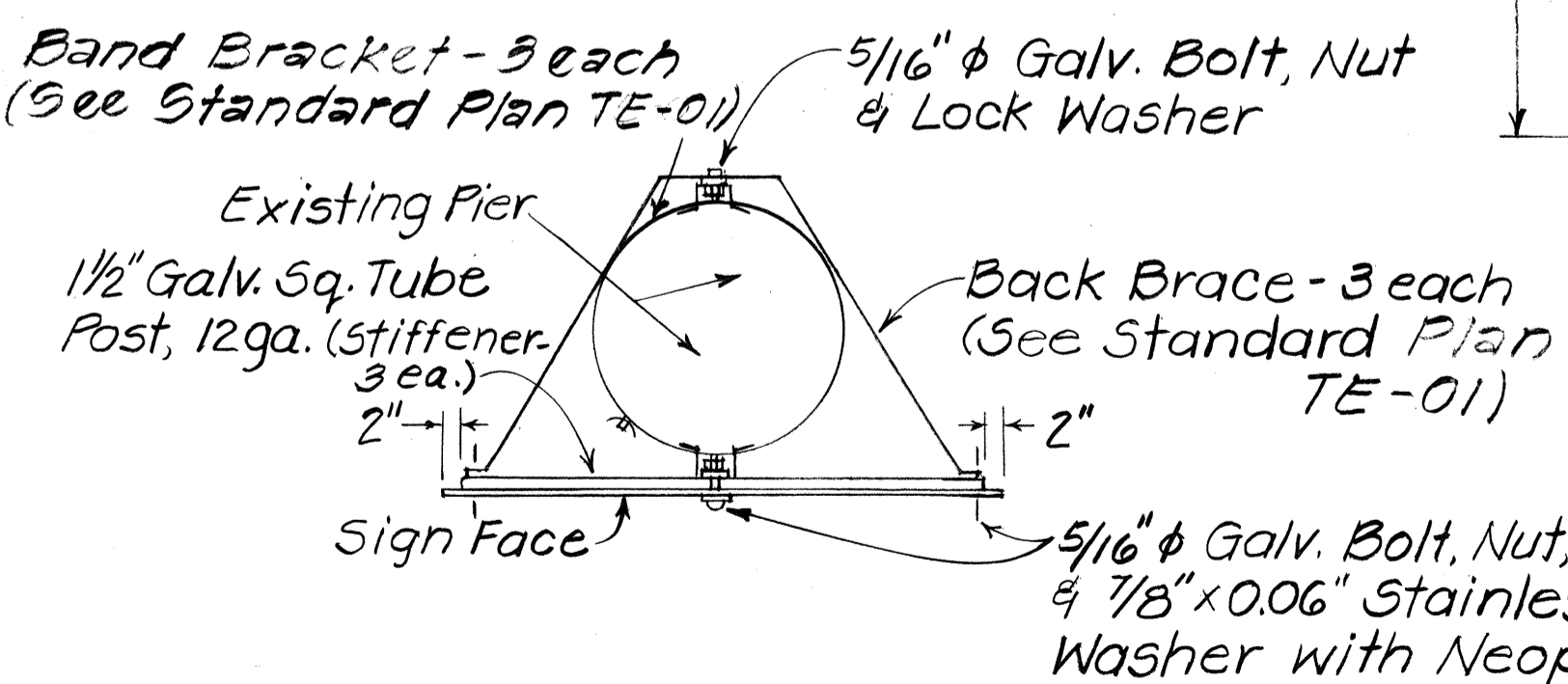
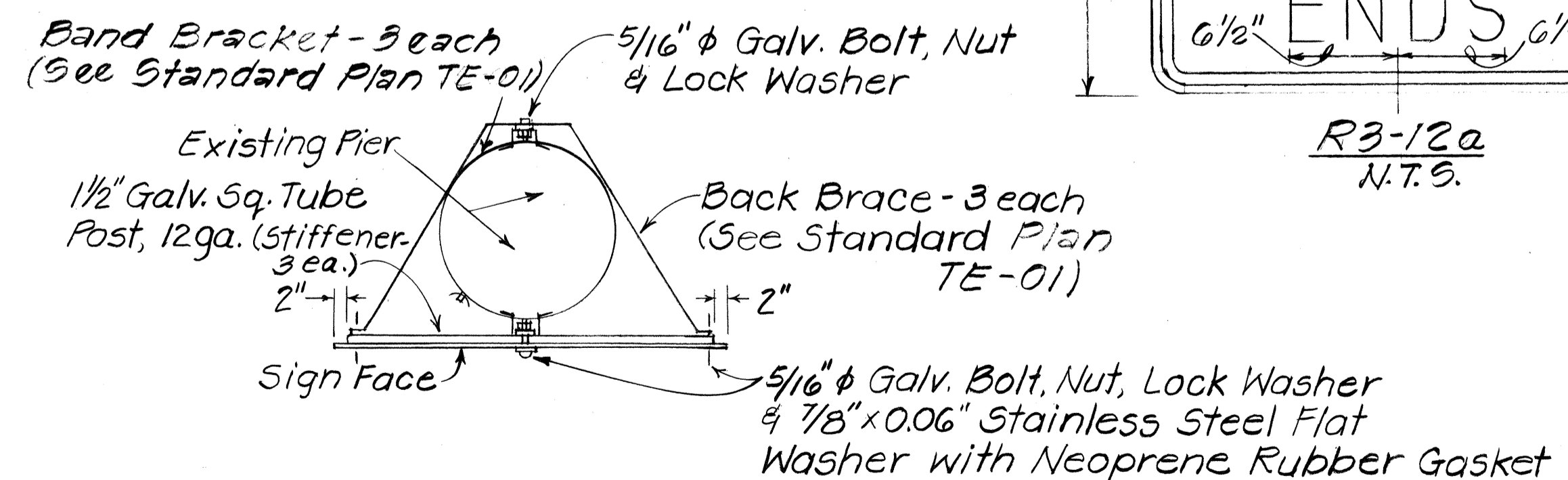
Colors (Bottom)
Legend: Black
Background: White (Refl.)



Colors
Legend: Black
Number: Black
Symbol: Black on
White (Refl.)
Background: White (Refl.)



NOTE: For R3-10 Series Signs, Suffixes a, b, c, d, and e are as follows:
a - 1500 FT. b - 1000 FT.
c - 500 FT. d - AHEAD
e - BEGIN



TOP VIEW
SIGN MOUNTING DETAIL @ BRIDGE PIER
N.T.S.

4/15/87 Revised R3-13 to read R3-19

DATE	REVISION
4/15/87	Revised R3-13 to read R3-19

STATE OF HAWAII
DEPARTMENT OF TRANSPORTATION
HIGHWAYS DIVISION
**SIGNING NOTES
AND DETAILS**
INTERSTATE ROUTE H-1
ADDITIONAL LANES, PHASE II
F.A.I. PROJ. NO. IR-HI-1(206)
Scale: As Shown Date: Feb. 1987

DATE _____
SURVEY PLOTTED BY _____
DRAWN BY _____
TRACED BY _____
DESIGNED BY _____
QUANTITIES BY _____
CHECKED BY _____
NO. _____

FED. ROAD DIST. NO.	STATE	FED. AID PROJ. NO.	FISCAL YEAR	SHEET NO.	TOTAL SHEETS
HAWAII	HAW.	IR-HI-1(206)	1987	36	40

EXPRESS LANE SIGNING

STA.	SIGN	QUANTITY		
		W/POST	W/O POST	OTHER
H-2 STA. 421+00± Lt. I.B.	R3-10d	1		
426+00± Lt. I.B.	R3-10d R3-20	1	1	
431+00± Lt. I.B.	R3-10b R3-20	1	1	
436+00± Lt. I.B.	R3-10c R3-20	1	1	
441+50± Lt. I.B.	R3-10e R3-20	1	1	
449+00± Lt. I.B.	R3-11a		1	
457+00± Lt. I.B.	R3-18		1	
467+50± Lt. I.B.	R3-11a	1		
H-1 STA. 39+00± (Med.) O.B.	R3-12a		1	
49+00± (Med.) O.B.	R3-18		1	
59+00± (Med.) O.B.	R3-19		1	
69+00± (Med.) O.B.	R3-18		1	
79+00± (Med.) O.B.	R3-19		1	
89+00± (Med.) O.B.	R3-18		1	
95±50± (Med.) O.B. Kahumanu St. O.P.	R3-11a			1 on Pier
105+00± (Med.) O.B.	R3-18		1	
115+00± (Med.) O.B.	R3-19		1	
125+00± (Med.) O.B.	R3-18		1	
139+00± (Med.) O.B. Kaanohi St. O.P.	R3-11a			1 on Pier
150+00± (Med.) O.B.	R3-19		1	
160+00± (Med.) O.B.	R3-18		1	
172+50± (Med.) O.B. Kaamilo St. O.P.	R3-11a			1 on Pier
181+50± (Med.) O.B. Mahiko Ped. O.P.	R3-18			1 on Pier
192+00± (Med.) O.B. Aiea Hts. Dr. O.P.	R3-11a			1 on Pier
204+00± (Med.) O.B. Kaimakani St. O.P.	R3-11a			1 on Pier
215+00± (Med.) O.B.	R3-19		1	
221+00± (Med.) O.B. Moanalua Rd. O.P.	R3-18		1	
229+60± (Med.) O.B. Ramp WE O.P.	R3-11a			1 on Pier
Remove Existing Sign R3-12 on Pier & Install New Sign R3-11a on Pier				

EXPRESSWAY SIGN SUMMARY

TYPE	DESCRIPTION	AREA (SQ. FT.)	
		PANEL	OVERLAY
E-1	EXIT ↓ ONLY		27.5
E-2	WAIANA, EXIT ONLY		104.5
E-3	WAIHAWA	183.75	

EXIT NUMBER SIGN SUMMARY

Installed Above Sign No.	DESCRIPTION	AREA (SQ. FT.)	
		PANEL	OVERLAY
E-2	EXIT 1B		16.0
E-3	EXIT 8B	RELOCATED	

MILEPOST MARKER SUMMARY

M.P. NO.	LOCATION (OUTBOUND)	QUANTITY	
		W/POST	W/O POST
9	H-1 Sta. 521+50±		1
10	H-1 Sta. 15+35±		1
11	H-1 Sta. 95+50±	1	
12	H-1 Sta. 148+30±	1	
13	H-1 Sta. 204+50±	1	

PAVEMENT MARKING SUMMARY

DESCRIPTION	QUANTITY
TYPE "A" PAVEMENT MARKERS	6,500 EA.
TYPE "CL" PAVEMENT MARKERS	1,800 EA.
TYPE "HL" PAVEMENT MARKERS	630 EA.
TYPE "J" PAVEMENT MARKERS	880 EA.
TAPE - TYPE I OR THERMOPLASTIC EXTRUSION	
4" PAVEMENT STRIPING	40 L.F.
8" PAVEMENT STRIPING	3,500 L.F.
12" PAVEMENT STRIPING	300 L.F.
4" DOUBLE STRIPE	1,050 L.F.
TAPE TYPE II OR THERMOPLASTIC EXTRUSION	
4" PAVEMENT STRIPING	37,200 L.F.
8" PAVEMENT STRIPING	3,200 L.F.
PAVEMENT DIAMOND TAPE - TYPE I OR THERMOPLASTIC EXTRUSION	25 EA.

SIGN REMOVAL SUMMARY

TYPE	DESCRIPTION	QUANTITY		
		W/POST	W/O POST	OTHER
R3-12	RESTRICTED LANE ENDS			1
CW4-2	MERGE 1	1		
CW9-2	LANE ENDS MERGE LEFT	2		

TRAFFIC SIGN SUMMARY

TYPE	DESCRIPTION	QUANTITY		
		W/POST	W/O POST	OTHER
W4-4	LIMITED SIGHT DISTANCE	1		
W13-1(95)	ADVISORY SPEED PLATE		1	
CW20-1d	CONSTRUCTION AHEAD	2		
CW20-2	END CONSTRUCTION	3		

REFLECTOR MARKER SUMMARY

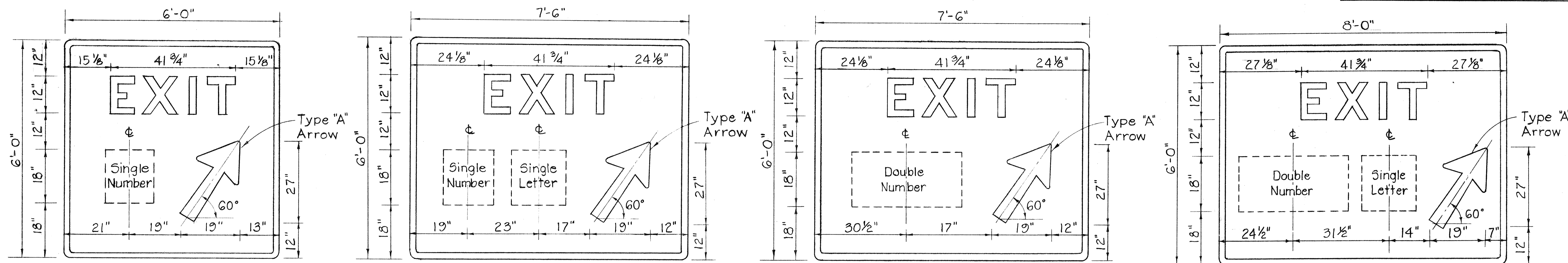
TYPE	DESCRIPTION	QUANTITY	
		W/O POST	F.D.P.*
RM-3	REFLECTOR MARKER		6
RM-4	REFLECTOR MARKER	4	

*FLEXIBLE DELINEATOR POST

SURVEY PLOTTED BY _____ DATE _____
 DRAWN BY _____
 CHECKED BY _____
 ORIGINAL PLAN _____
 NOTE BOOK _____
 No. _____

STATE OF HAWAII
 DEPARTMENT OF TRANSPORTATION
 HIGHWAYS DIVISION
**MISCELLANEOUS
 SUMMARIES**
 INTERSTATE ROUTE H-1
 ADDITIONAL LANES, PHASE II
 F.A.I. PROJ. NO. IR-HI-1(206)
 Scale: As Shown Date: Feb. 1987
 SHEET No. 7/3 OF 15 SHEETS

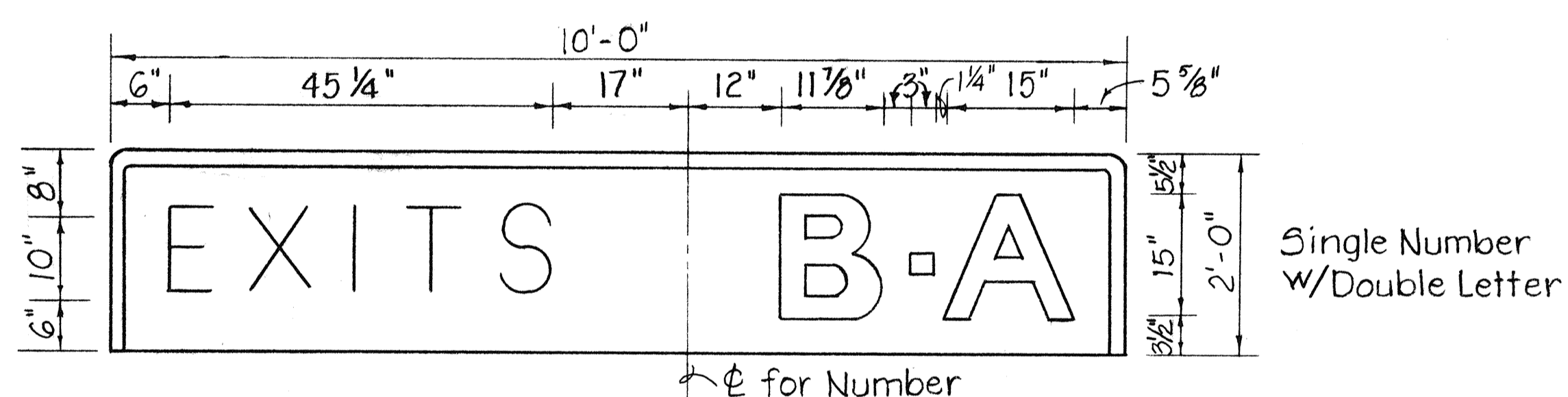
FED. ROAD DIST. NO.	STATE	FED. AID PROJ. NO.	FISCAL YEAR	SHEET NO.	TOTAL SHEETS
HAWAII	HAW.	1R-HI-1(206)	1987	37	40



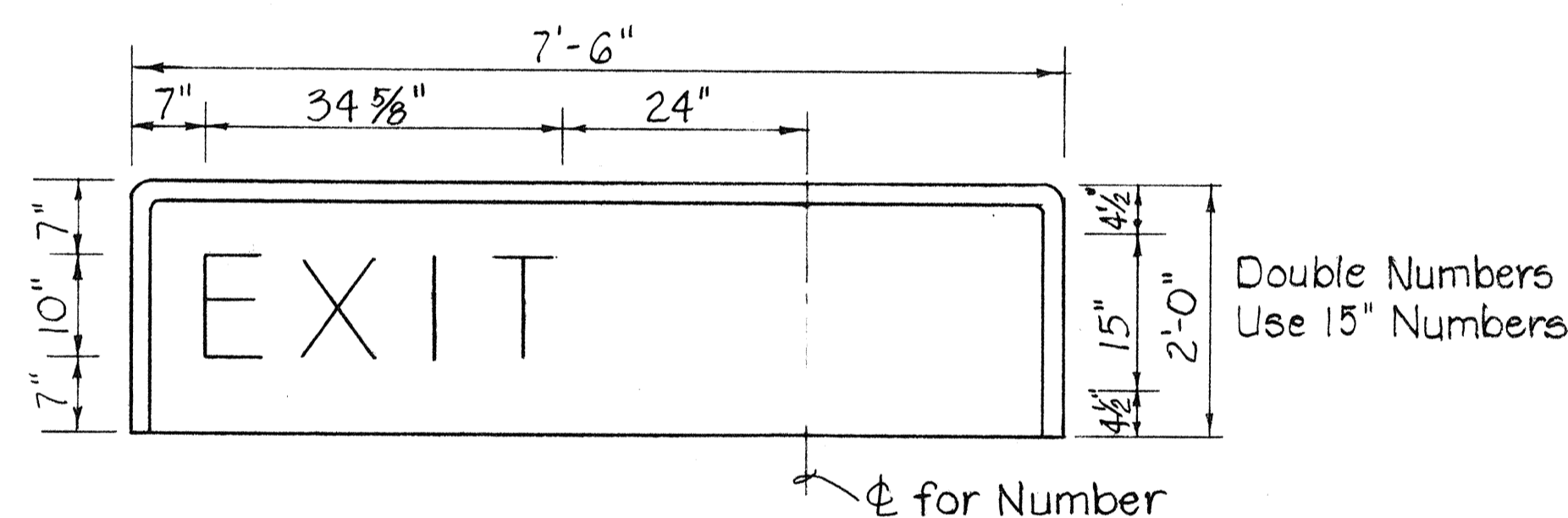
GORE EXIT SIGNS

Scale: 3/4" = 1'-0"

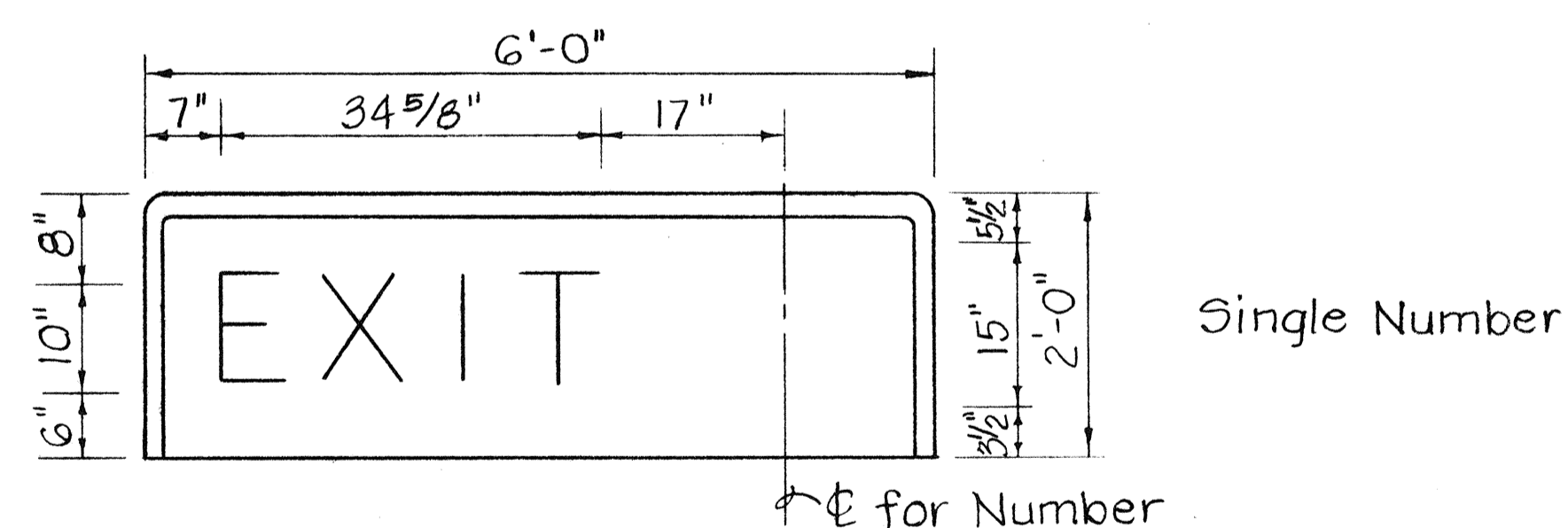
1. Exit Number Panel backing may be either extruded or laminated aluminum panels. The face of each Exit Number Panel shall be in line with the face of the sign panel to which it will be attached.
2. Sign message shall be lettered in uppercase according to Standard Alphabets for Highway Signs, FHWA, 1966. Use Series "E" letters unless otherwise noted.
3. Arrows, Borders, and Route Markers shall conform with details as shown on plans.
4. Contractor shall submit for approval, shop drawings for the attachment of Exit Number Panels to Sign Panels.



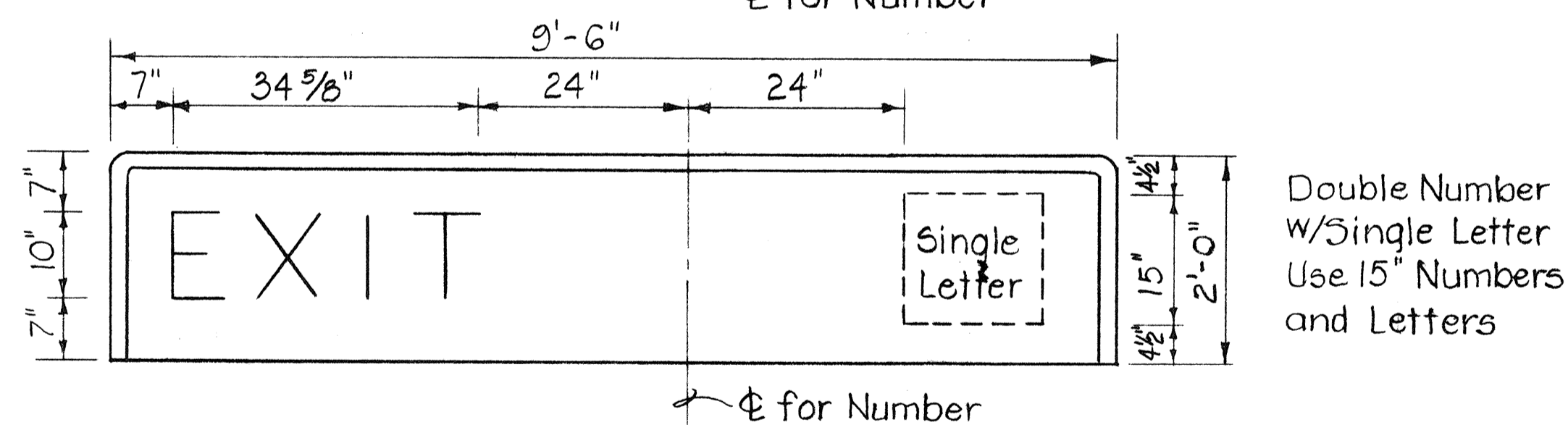
Single Number w/Double Letter



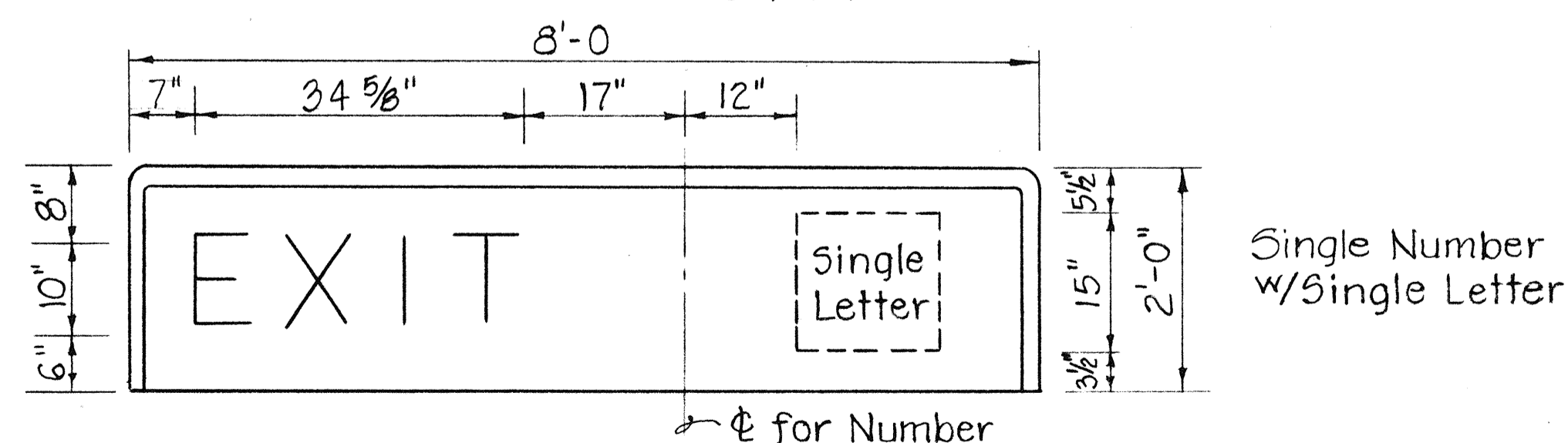
Double Numbers Use 15" Numbers



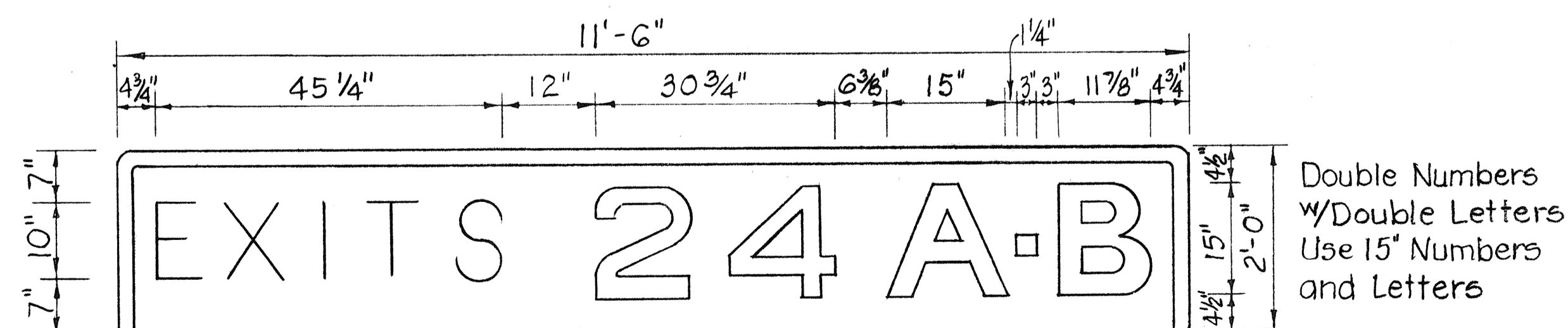
Single Number



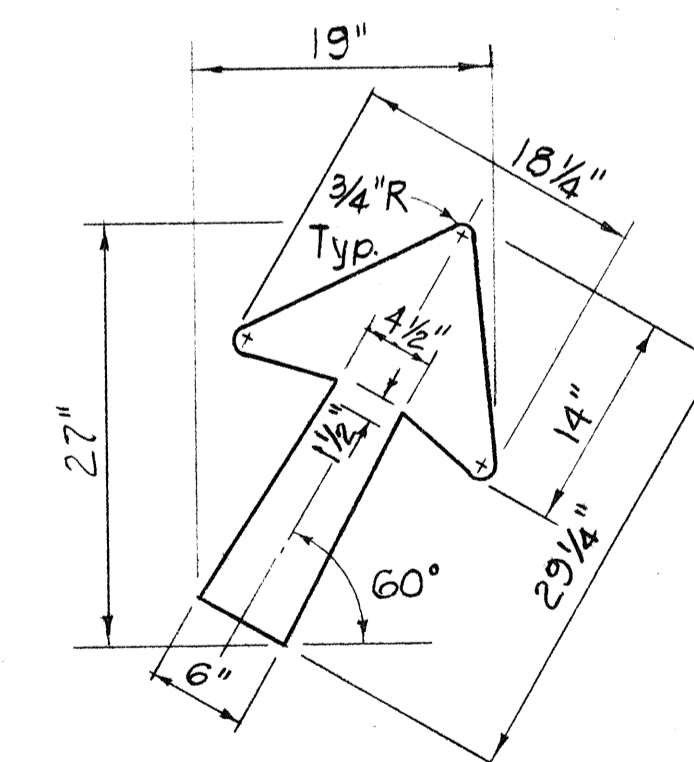
Double Number w/Single Letter Use 15" Numbers and Letters



Single Number w/Single Letter



Double Numbers w/Double Letters Use 15" Numbers and Letters



TYPE "A" DIAGONAL ARROW DETAIL N.T.S.

EXIT NUMBER PANELS

Scale: 3/4" = 1'-0"

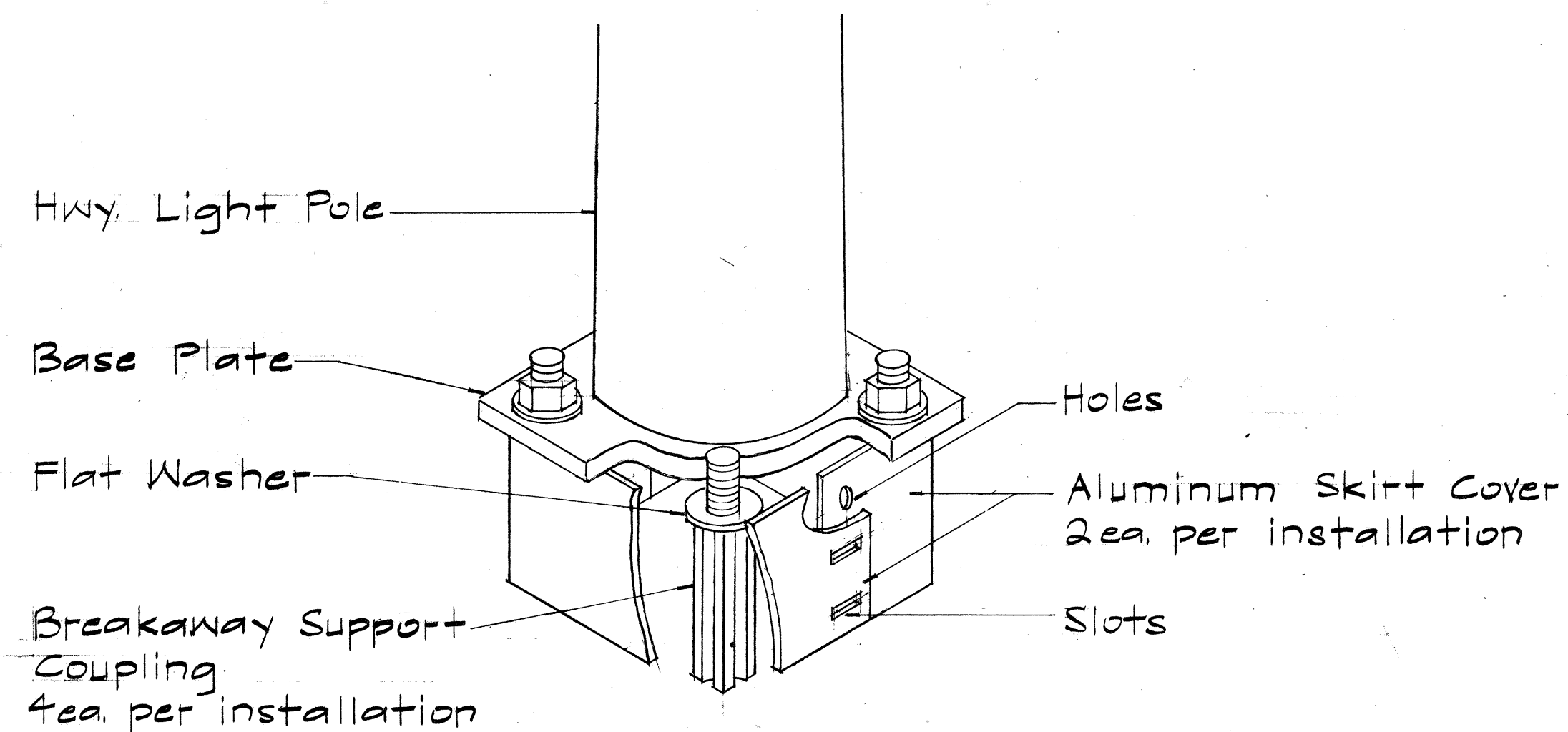
STATE OF HAWAII
DEPARTMENT OF TRANSPORTATION
HIGHWAYS DIVISION

TYPICAL EXIT NUMBER SIGN PANEL LAYOUT

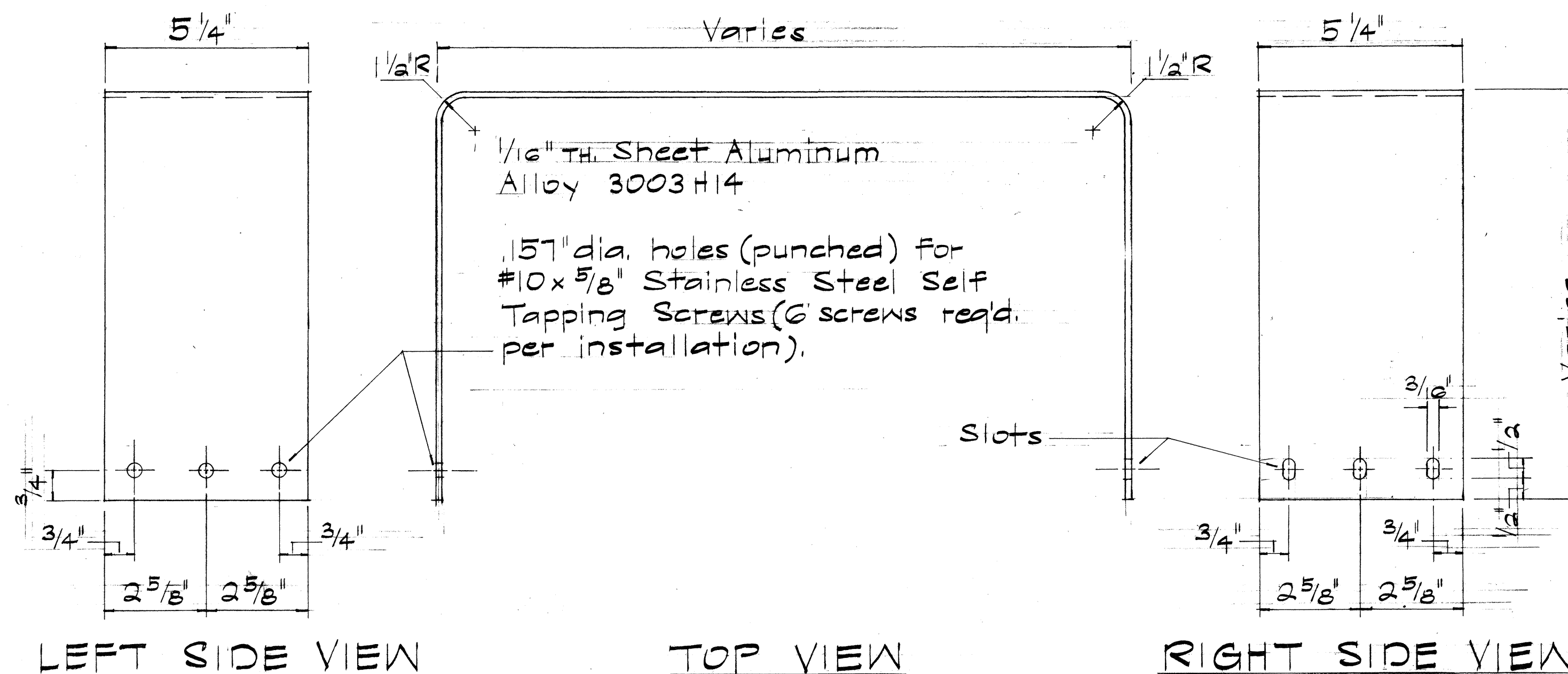
F.A.I. PROJ. NO. 1R-HI-1(206)
Scale: As Shown Date: Feb 1987

SHEET No. 7/4 OF 15 SHEETS

ORIGINAL PLAN
DESIGNED BY
CHECKED BY



SKIRT COVER DETAIL



LEFT SIDE VIEW

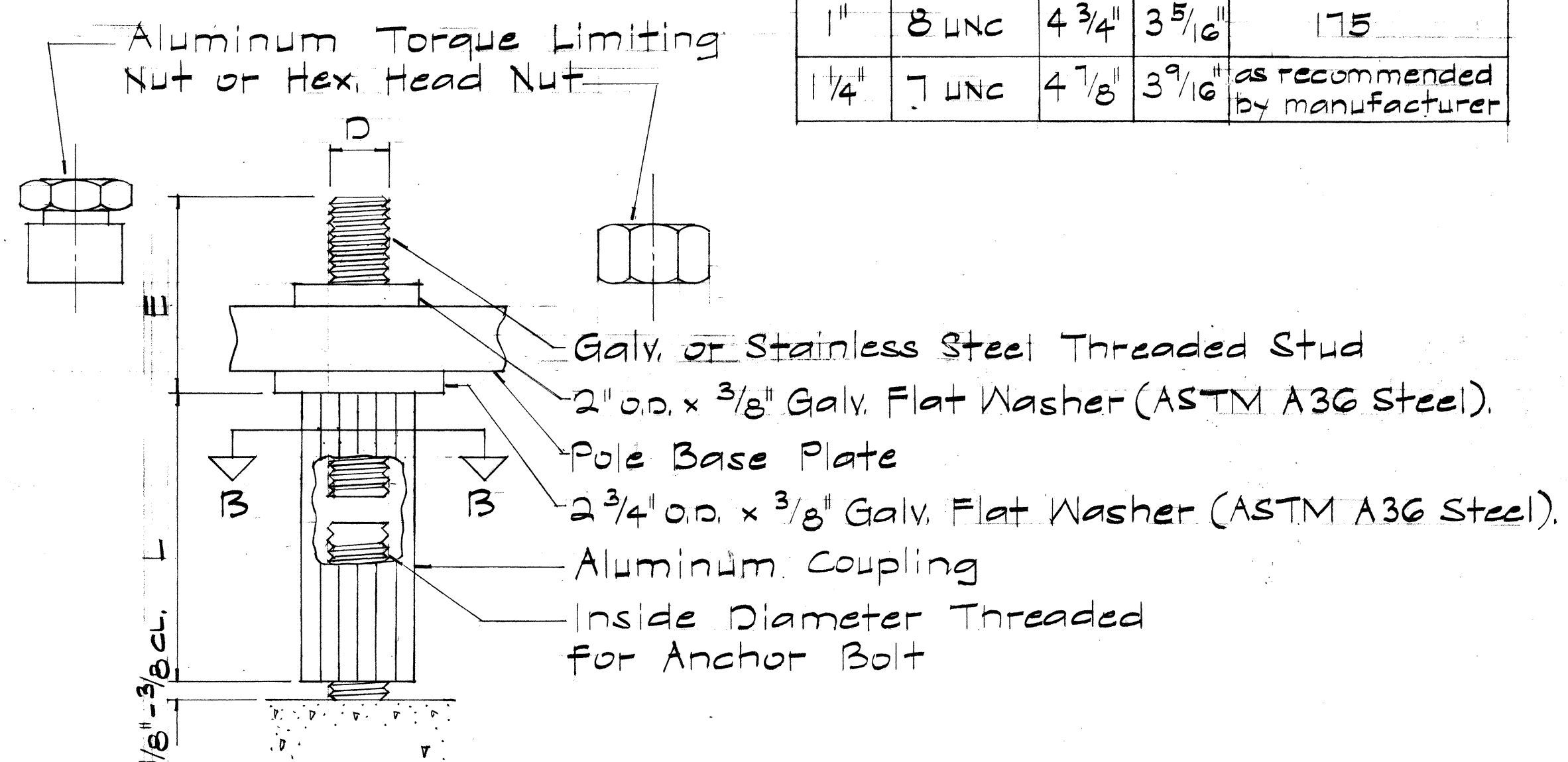
TOP VIEW

RIGHT SIDE VIEW

SKIRT COVER FOR BREAKAWAY SUPPORT COUPLING

Not to Scale

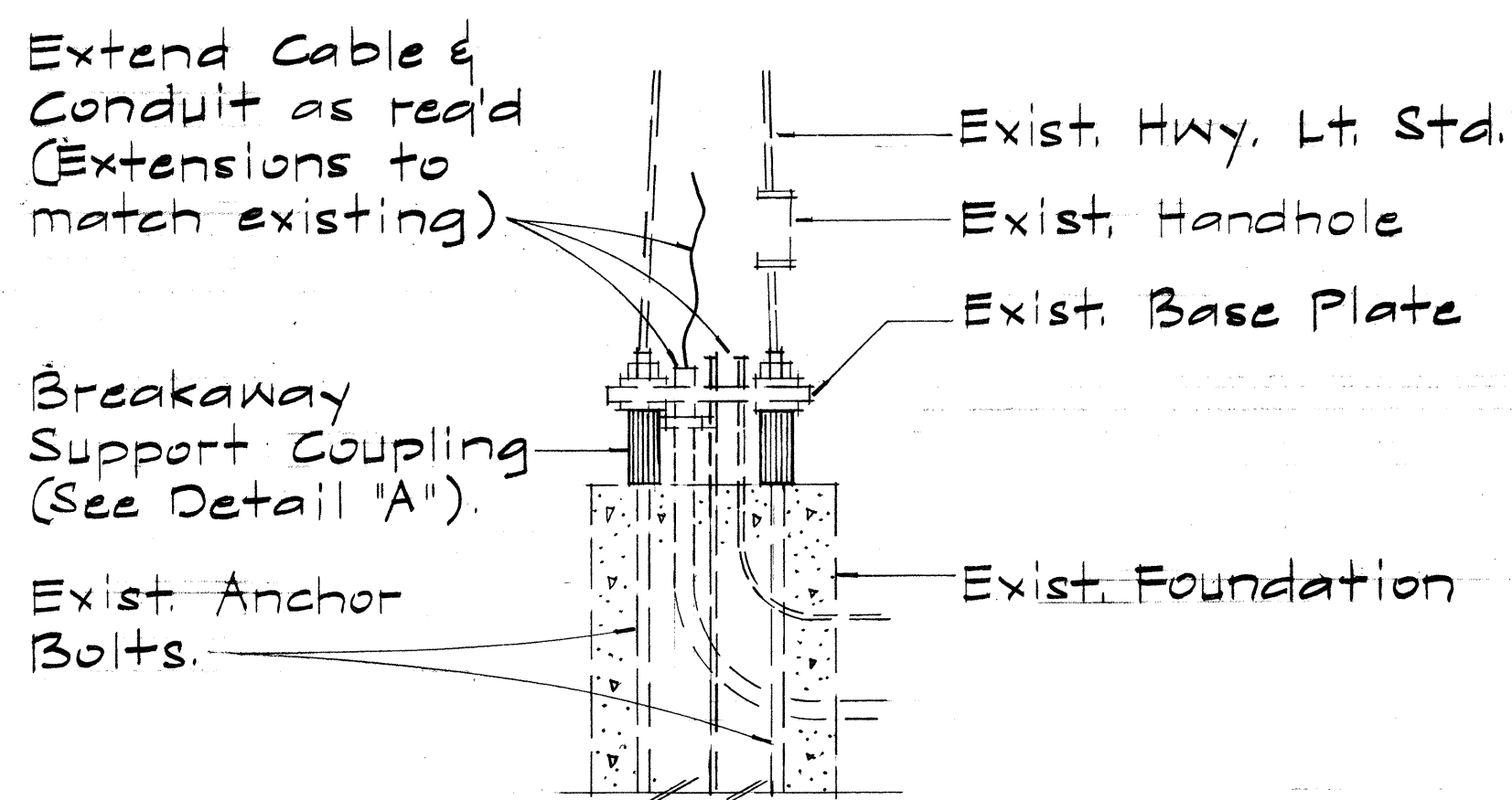
SECTION "B-B"



DETAIL "A"

Not to Scale

DIMENSION SCHEDULE				
D	THREAD	L	E	NUT TORQUE ± 25 FT. LBS.
1"	8 UNC	4 3/4"	3 5/16"	175
1/4"	7 UNC	4 7/8"	3 9/16"	as recommended by manufacturer



MOUNTING DETAIL

Scale: 3/4" = 1'-0"

BREAKAWAY SUPPORT COUPLING

Scale: As Shown

GENERAL NOTES:

- Contractor shall verify size of exist. anchor bolts & base plates prior to ordering couplings & skirt covers.
- Breakaway support coupling shall conform to the applicable requirements of AASHTO standards & shall be fabricated from either die cast aluminum alloy 380 according to ASTM B85, or extruded from alloy 2024-T8511 according to ASTM B221.
- Hex. nut shall meet the requirements of ASTM A563 grade A, and ANSI B18.2.2.
- Torque nut shall be fabricated from aluminum alloy and grooved to separate at the specified torque.
- Threaded stud shall meet the requirements of ASTM A 675 grade 90 or AISI stainless steel.

SURVEY PLOTTED BY: _____ DATE: _____
 DRAWN BY: _____
 DESIGNED BY: _____
 QUANTITIES BY: _____
 CHECKED BY: _____
 ORIGINAL PLAN No. _____

STATE OF HAWAII
 DEPARTMENT OF TRANSPORTATION
 LAND TRANSPORTATION FACILITIES DIVISION
 TYPICAL DETAILS
**BREAKAWAY SUPPORT
 COUPLING & SKIRT COVER**
 F.A.I. PROJ. NO. IR-HI-1(206)
 Scale: As Shown Date: Feb 1987
 SHEET NO. 7/50F 15 SHEETS