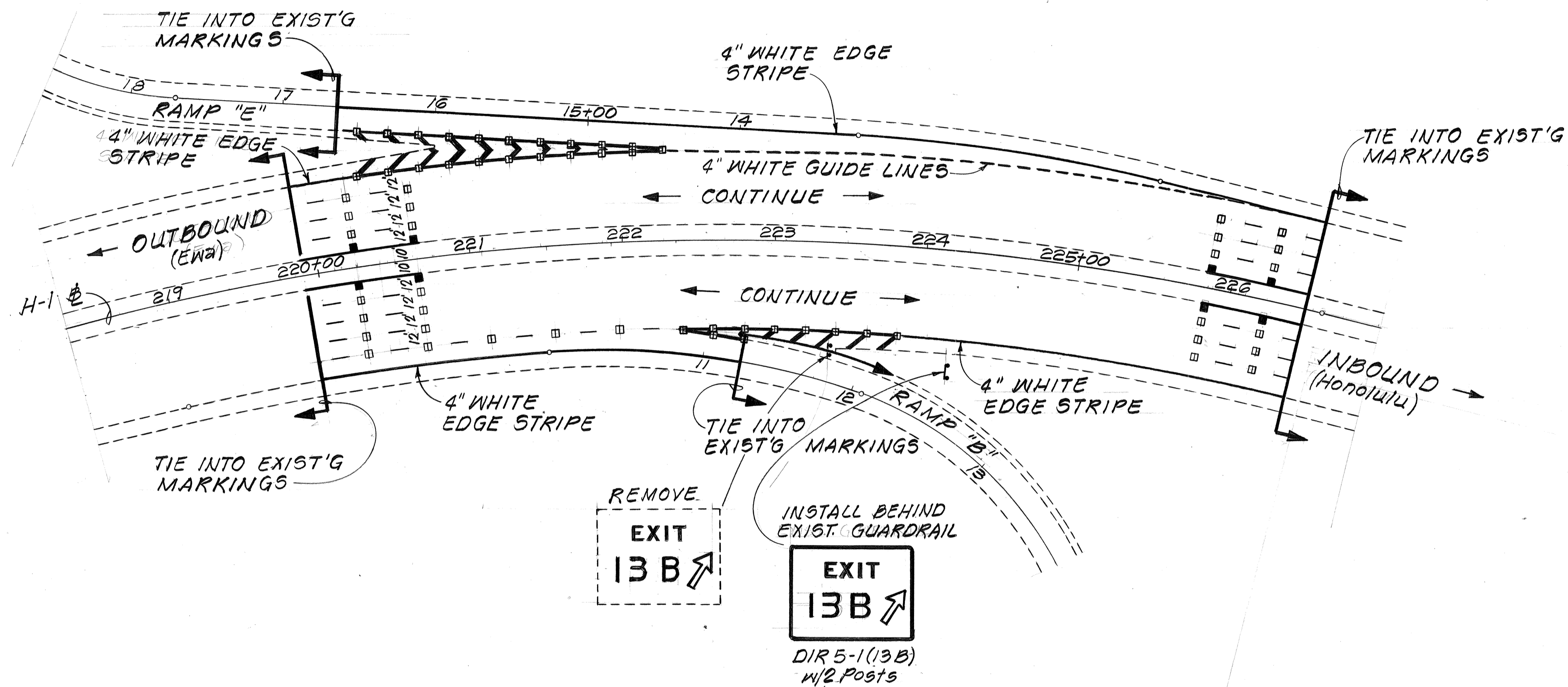
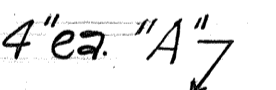




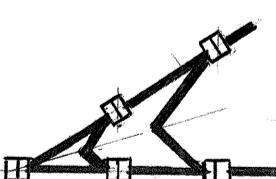


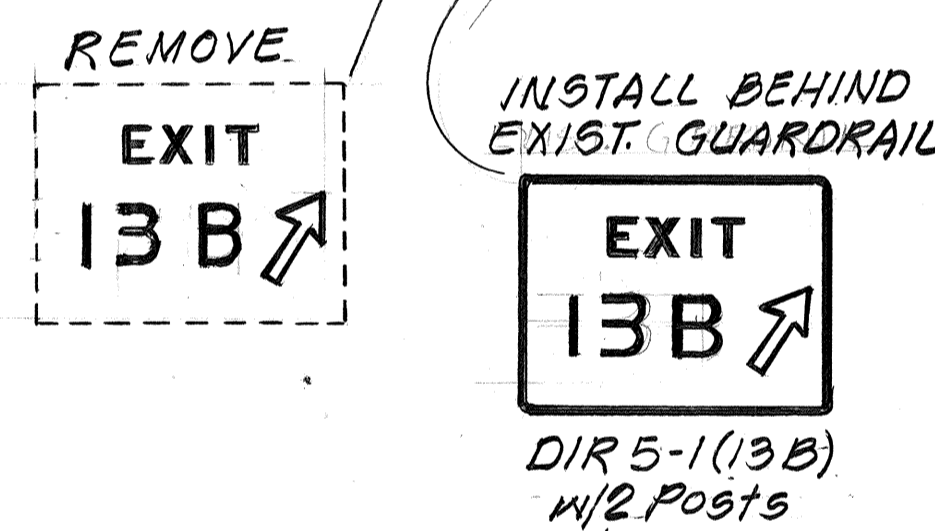
FED. ROAD DIST. NO.	STATE	FED. AID PROJ. NO.	FISCAL YEAR	SHEET NO.	TOTAL SHEETS
HAWAII	HAW.	IR-HI-1(196)	1986	17	22

True North
Scale: 1"=50'



- LEGEND**
- 4 ea. "A"  4 ea. Type "A" Raised Pavement Markers with Type "C" Raised Pavement Markers at 40'-0" o.c.
 -  Type "C" Raised Pavement Markers at 40'-0" o.c.
 -  4" yellow stripe (Paint) with Type "H" Raised Pavement Markers at 40'-0" o.c. placed on traffic side of stripe.
 -  4" white Edge Stripe (Paint).
 -  4" white Guide Lines (Tape).
 -  Exit Markings Detail (Tape). See sht. DT 304.

- NOTES**
1. Exit sign details are located on Plan Sht. No. 19.
 2. The posts used for the exit sign panel shall be 4 lbs/ft. channel or 2 1/2" galv. tubing. The signs shall be located as close to the inertial barrier system behind the guardrail as directed by the Engineer.



DATE	_____
DESIGNED BY	_____
TRACED BY	_____
DESIGNED BY	_____
QUANTITIES BY	_____
CHECKED BY	_____
NO.	_____

STATE OF HAWAII
DEPARTMENT OF TRANSPORTATION
HIGHWAYS DIVISION

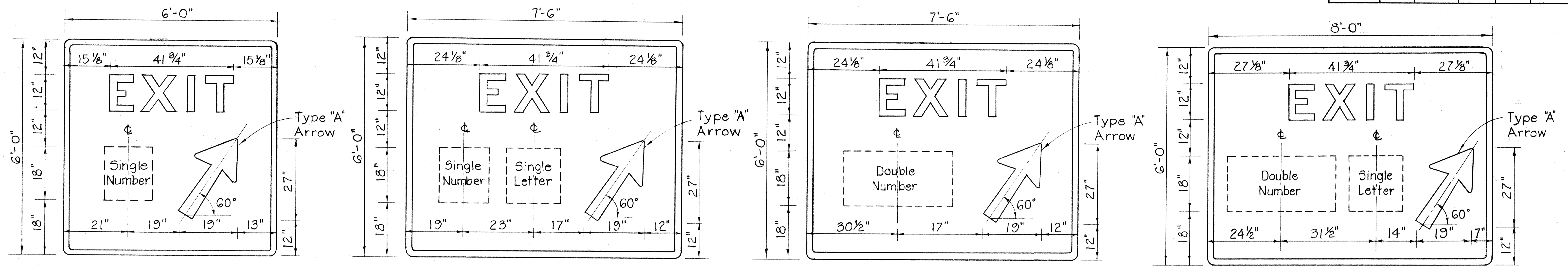
PAVEMENT STRIPING PLAN

*INTERSTATE ROUTE H-1
HALAWA INTERCHANGE
F.A.I. Proj. No. IR-HI-1(196)*

Scale: 1"=50' Date: July, 1985

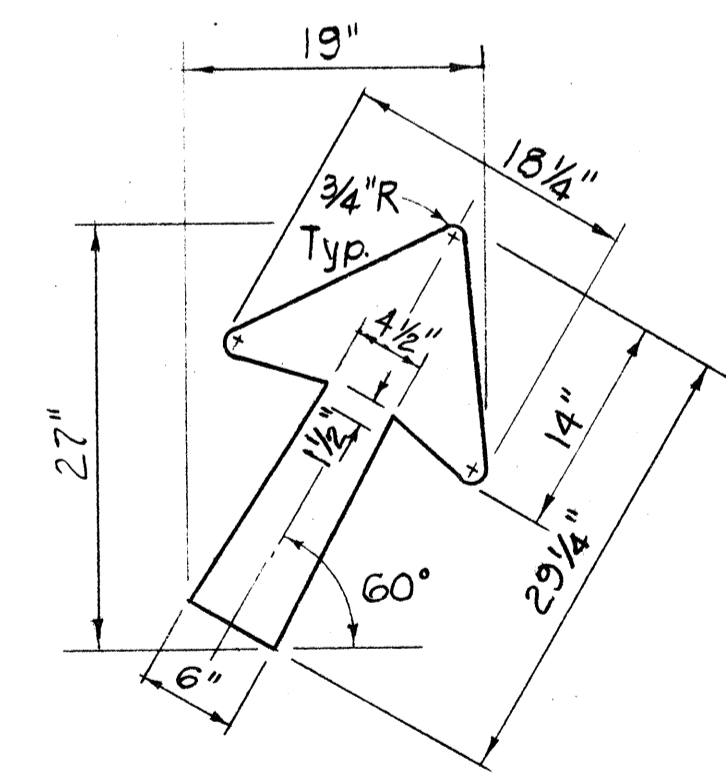
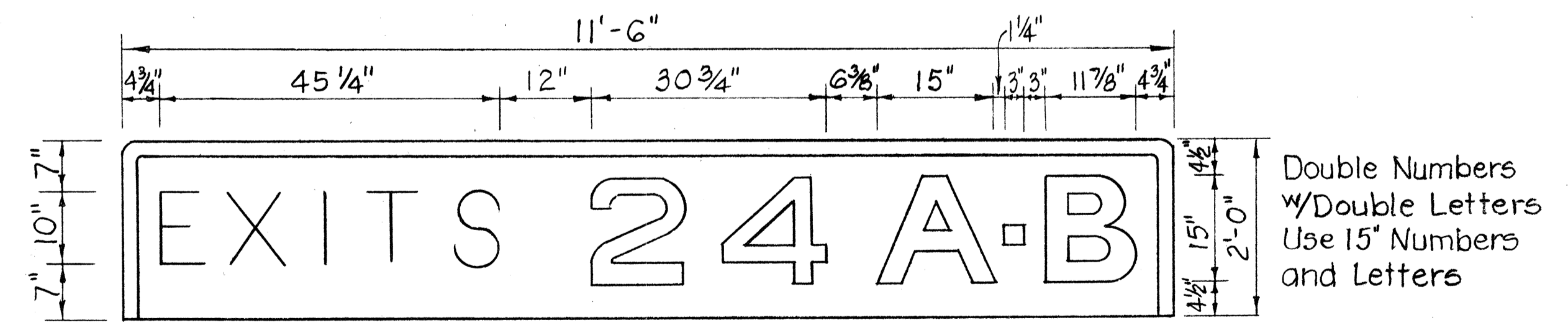
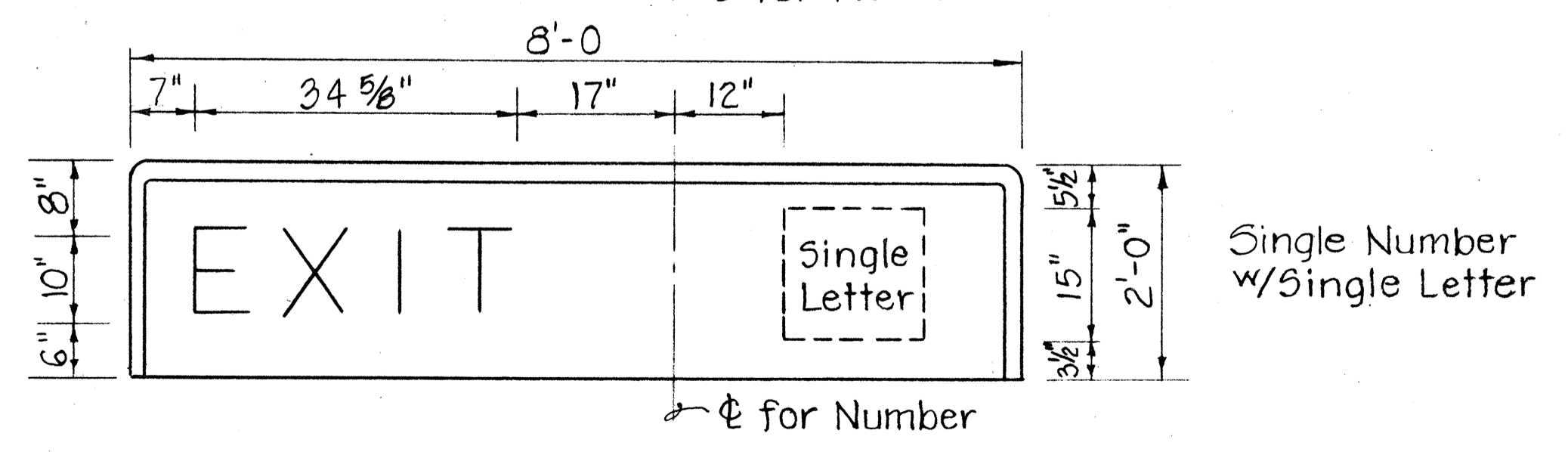
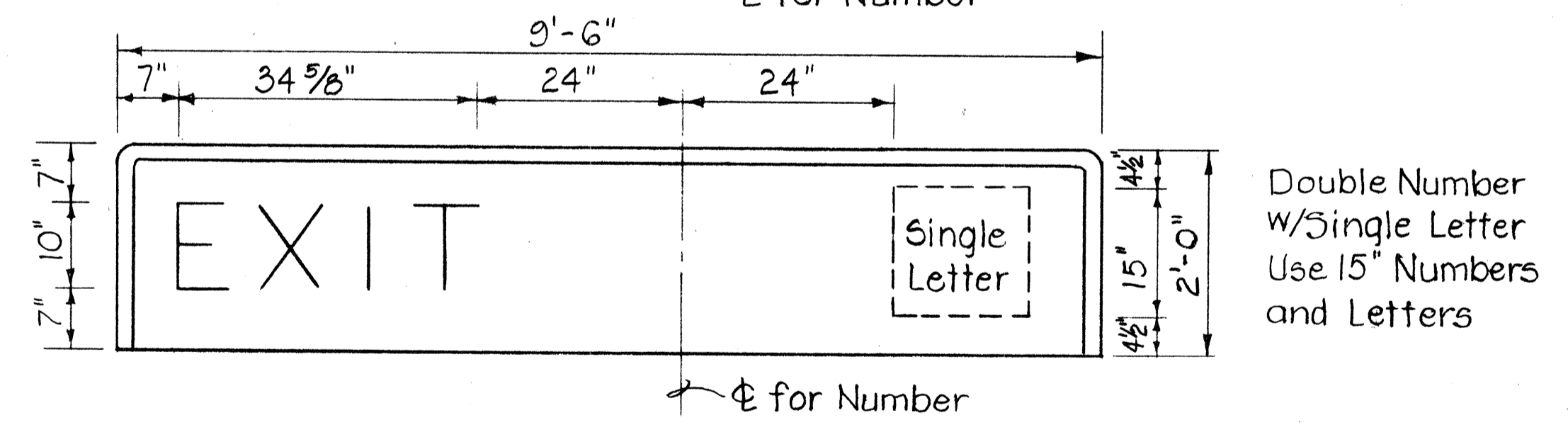
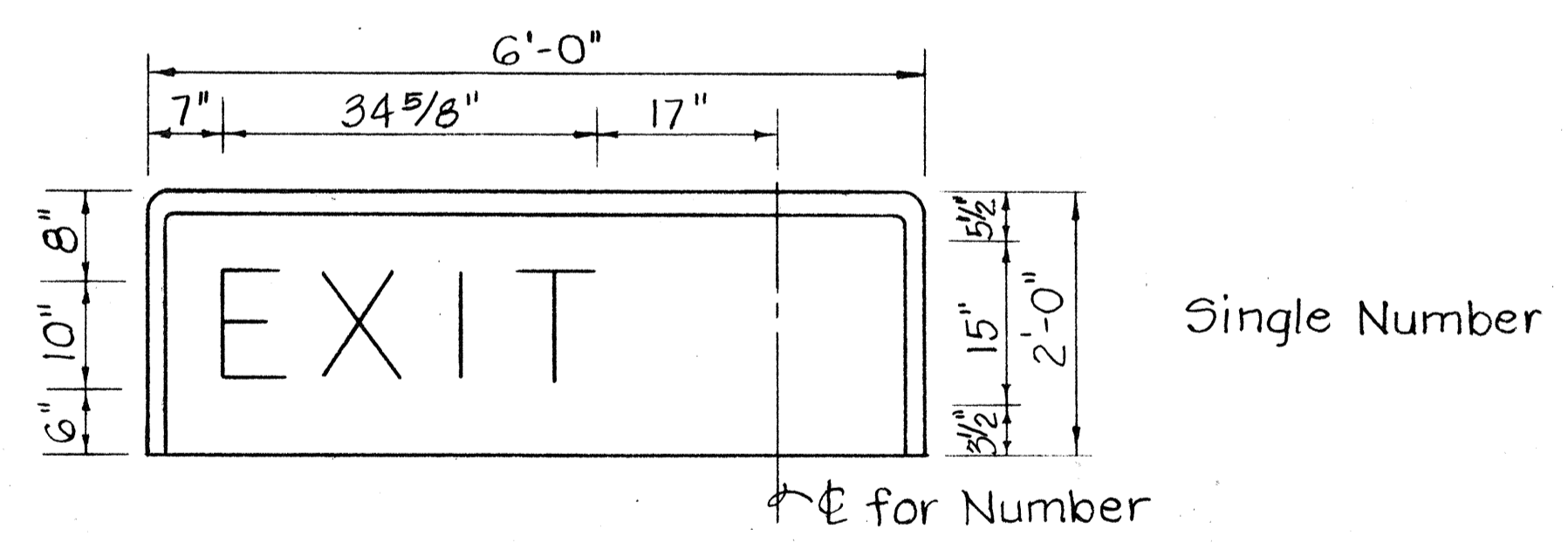
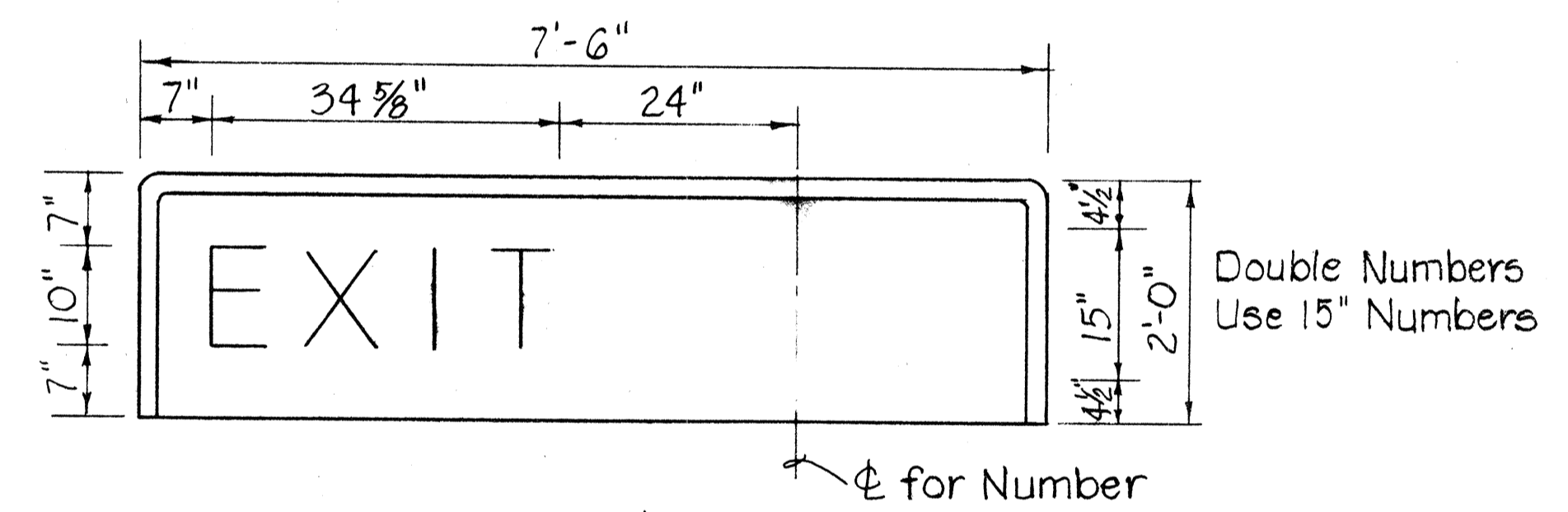
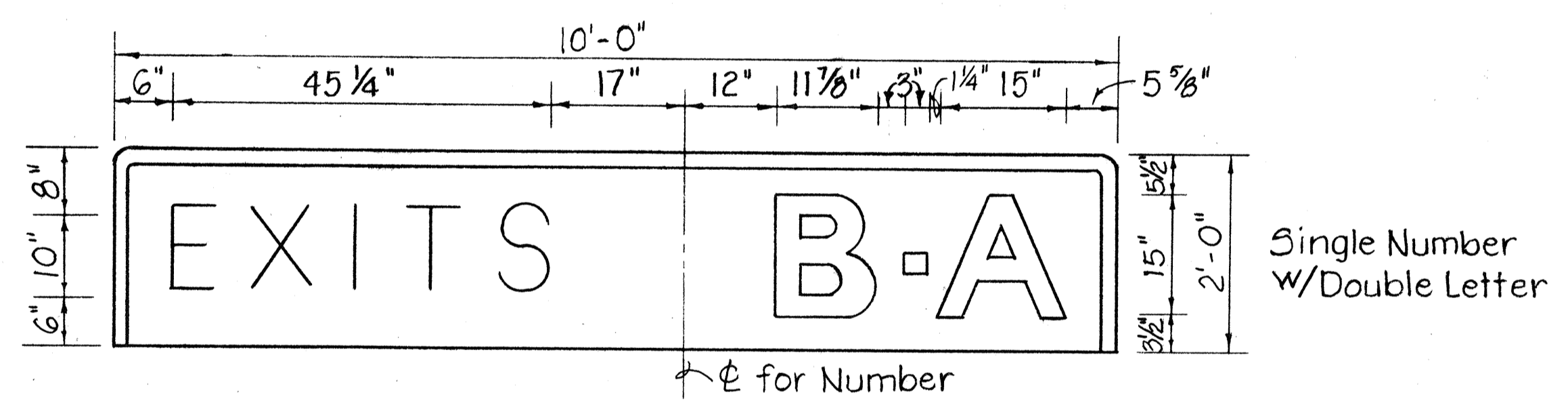
SHEET No. 1 OF 6 SHEETS

FED. ROAD DIST. NO.	STATE	FED. AID PROJ. NO.	FISCAL YEAR	SHEET NO.	TOTAL SHEETS
HAWAII	HAW.	TR-41-1(06)	1986	18	22



GORE EXIT SIGNS
Scale: 3/4" = 1'-0"

1. Design of Exit Number Panels shall conform to plans and specifications for either the Expressway or Destination Sign to which the Exit Number Panel will be attached.
2. Sign message shall be lettered in uppercase according to Standard Alphabets for Highway Signs, FHWA, 1966. Use Series "E" letters unless otherwise noted.
3. Arrows, Borders, and Route Markers shall conform with details as shown on plans.
4. Contractor shall submit for approval, shop drawings for the attachment of Exit Number Panels to Sign Panels.



TYPE "A" DIAGONAL ARROW DETAIL
N.T.S.

EXIT NUMBER PANELS
Scale: 3/4" = 1'-0"

STATE OF HAWAII
DEPARTMENT OF TRANSPORTATION
HIGHWAYS DIVISION

TYPICAL EXIT NUMBER SIGN PANEL LAYOUT

Scale: As Shown

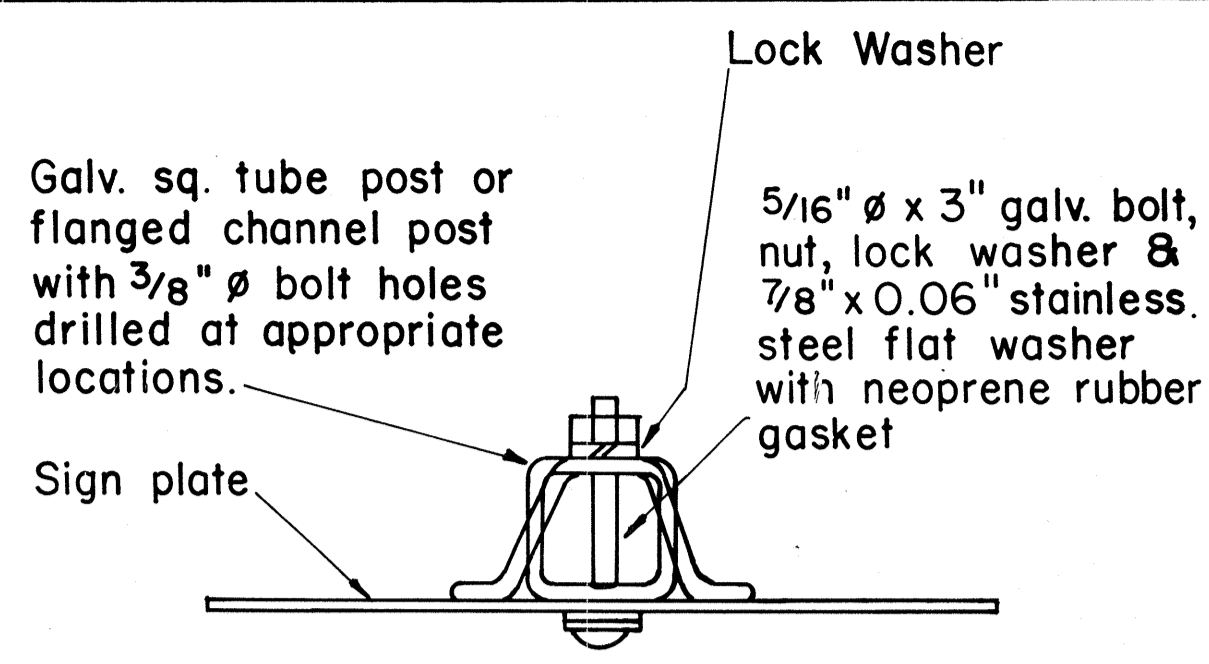
SHEET NO. 2 OF 6 SHEETS

DATE	
SURVEY PLOTTED BY	
DRAWN BY	
DESIGNED BY	
QUANTITIES BY	
CHECKED BY	
NO.	

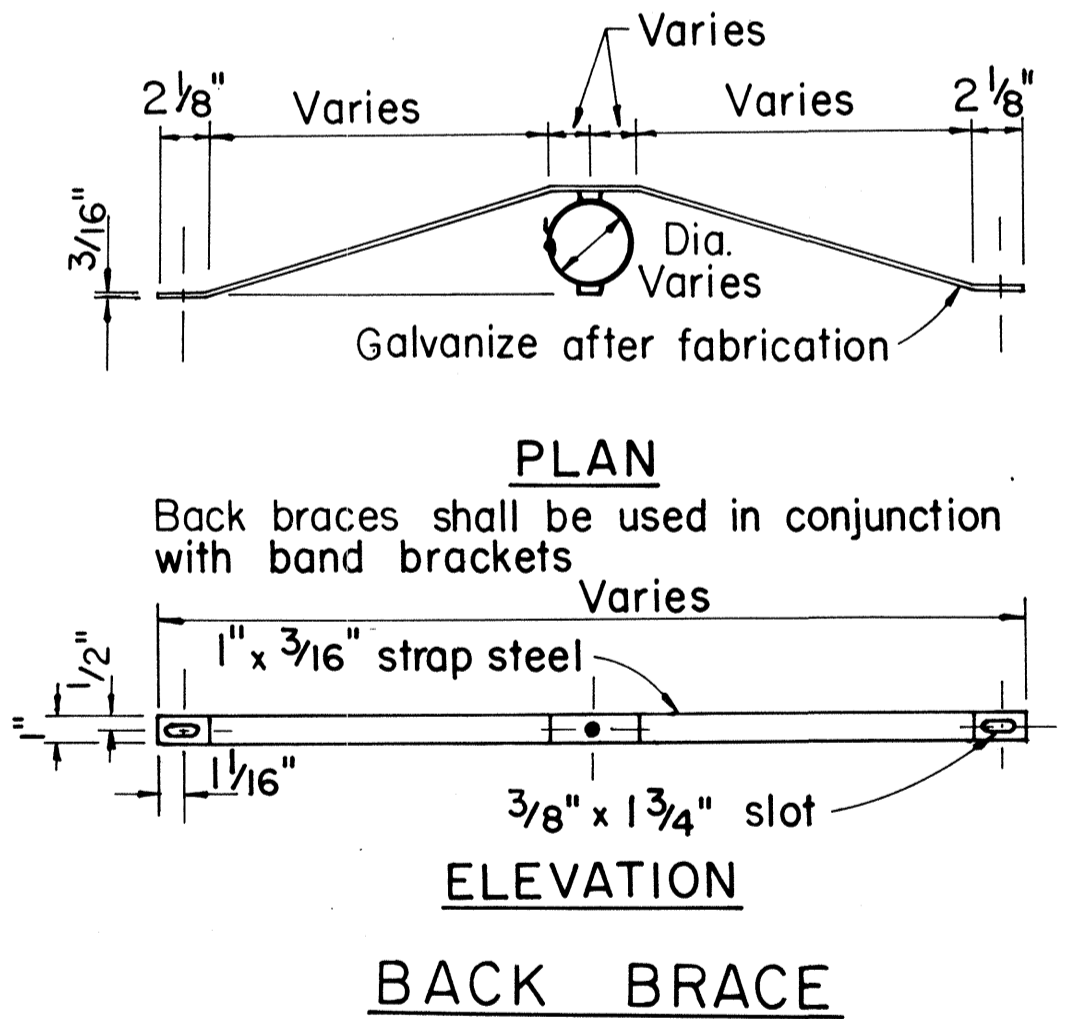
FED. ROAD DIST. NO.	STATE	FED. AID PROJ. NO.	FISCAL YEAR	SHEET NO.	TOTAL SHEETS
HAWAII	HAW.	IR-HI-1(196)	1986	19	22

GENERAL NOTES

- Signs shall be placed in conformance with positions shown and described in the "Manual on Uniform Traffic Control Devices for Streets and Highways", 1978, Part II, Section 2A-21, as amended, and as supplemented herein.
- Sign 48" and wider or larger than 10 sq. ft. in area shall be mounted on two or more sign posts except as noted below.
- Signs 48" and wider or larger than 10 sq. ft. in area may be mounted on objects other than sign posts (i.e. on highway lighting poles) as follows:
 - Signs 48" and wider but less than 10 sq. ft. in area shall be mounted with a minimum of two sets of band bracket and back braces.
 - Signs larger than 10 sq. ft. and less than 28 sq. ft. in area shall be mounted with a minimum of two sets of band brackets and back braces.
 - Signs larger than 28 sq. ft. in area shall be mounted with a minimum of three sets of band bracket and back braces.
- All parking restriction signs with arrows shall be mounted 45° to the line of traffic flow.
- Sign posts shall extend 3 1/2" above each sign, where required, for attachment of City and County street name signs.
- (R) or (L) indicates right or left and shown on the plans.
- * 7. See plans for special details of signs along bikeways.
- * * 8. The minimum lateral distances shown are guidelines and shall be exceeded whenever possible. The Contractor shall place signs at the maximum practical lateral distance from the edge of the traveled way up to 30 feet and shall utilize protected locations whenever possible. Final locations of all signs shall be approved by the Engineer.
- Signs in medians shall be placed at midpoint of median up to a maximum distance of 30 feet from the edge of traveled way. When appropriate, signs for opposing directions shall be placed back to back.
- Anchor bases shall be installed for all signpost installations, unless otherwise shown or directed. See sheets DT 100A and DT 100B.

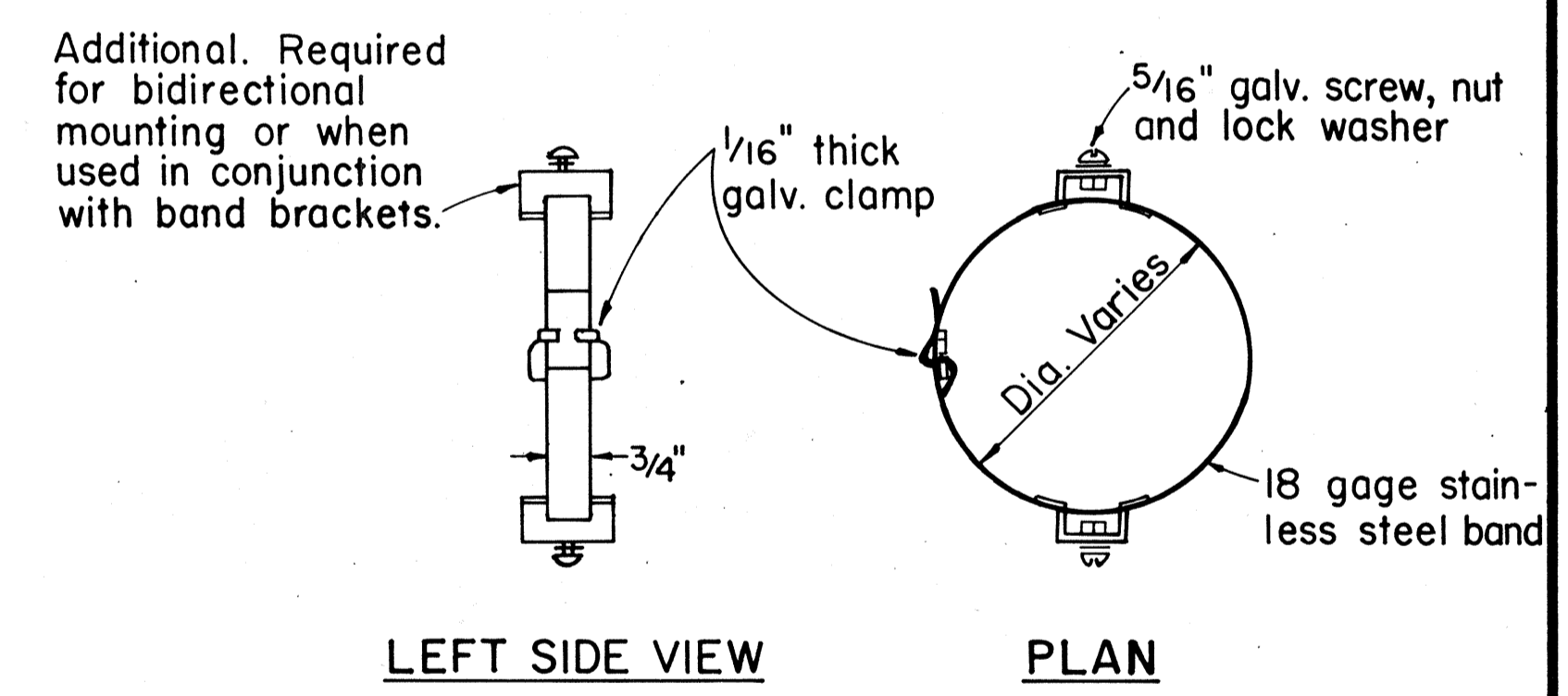


GALVANIZED SQUARE TUBE OR FLANGED CHANNEL POST



TYPICAL MOUNTING DETAILS

NO.	REVISION	APPROVED BY	DATE
1	Supercedes Sht. DT 100 approved 11/15/77	<i>[Signature]</i>	10-18-85



BAND BRACKET

APPROVAL RECOMMENDED:
Eiichi Tanaka
 TRAFFIC ENGINEER
 DATE: 10/14/83

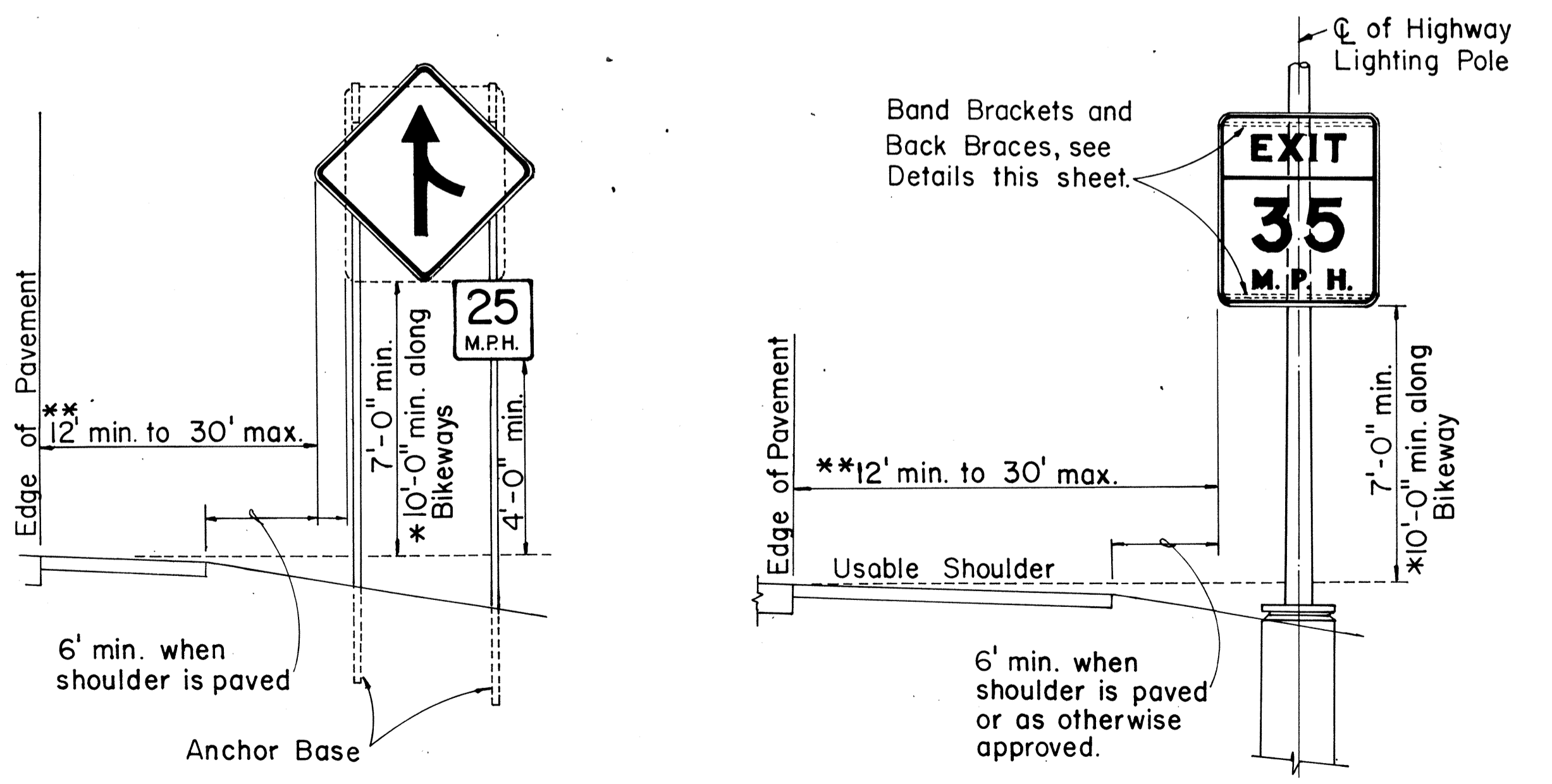
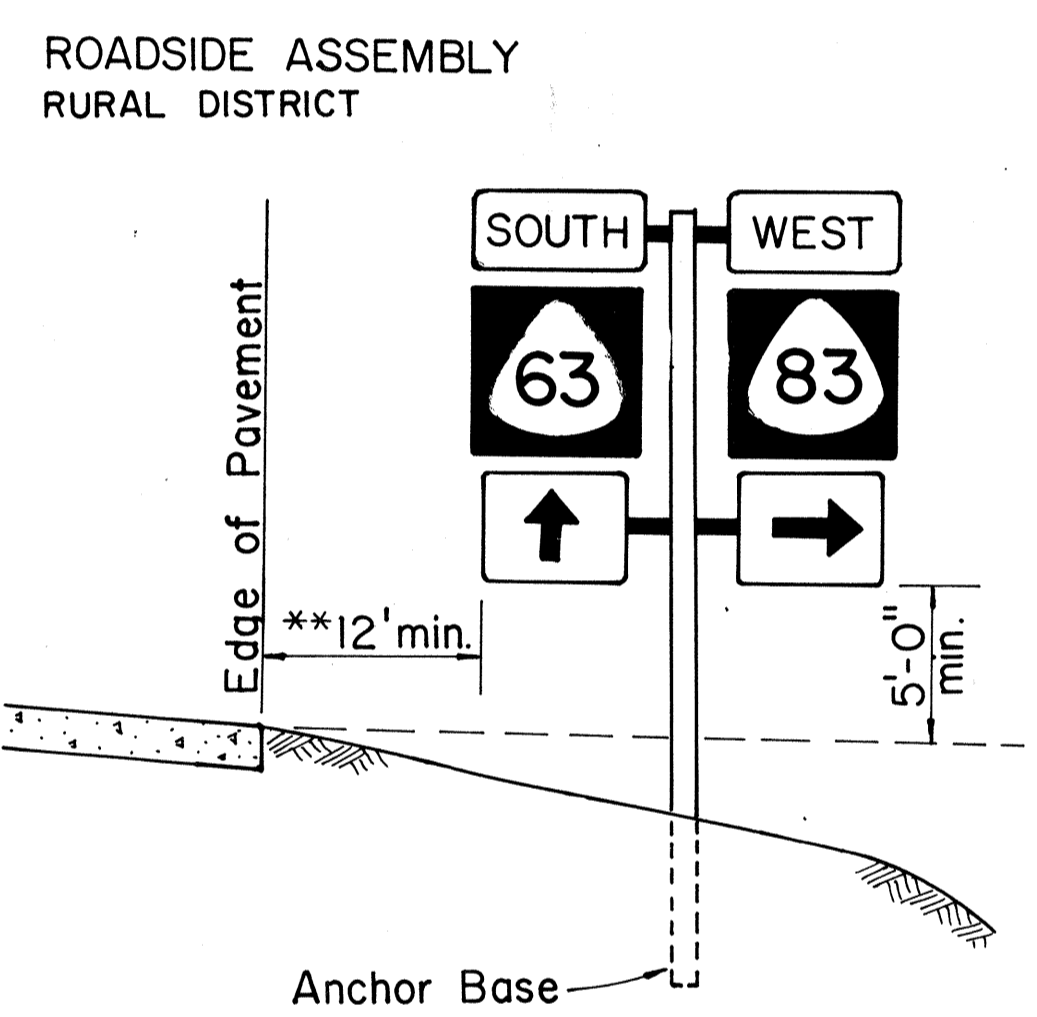
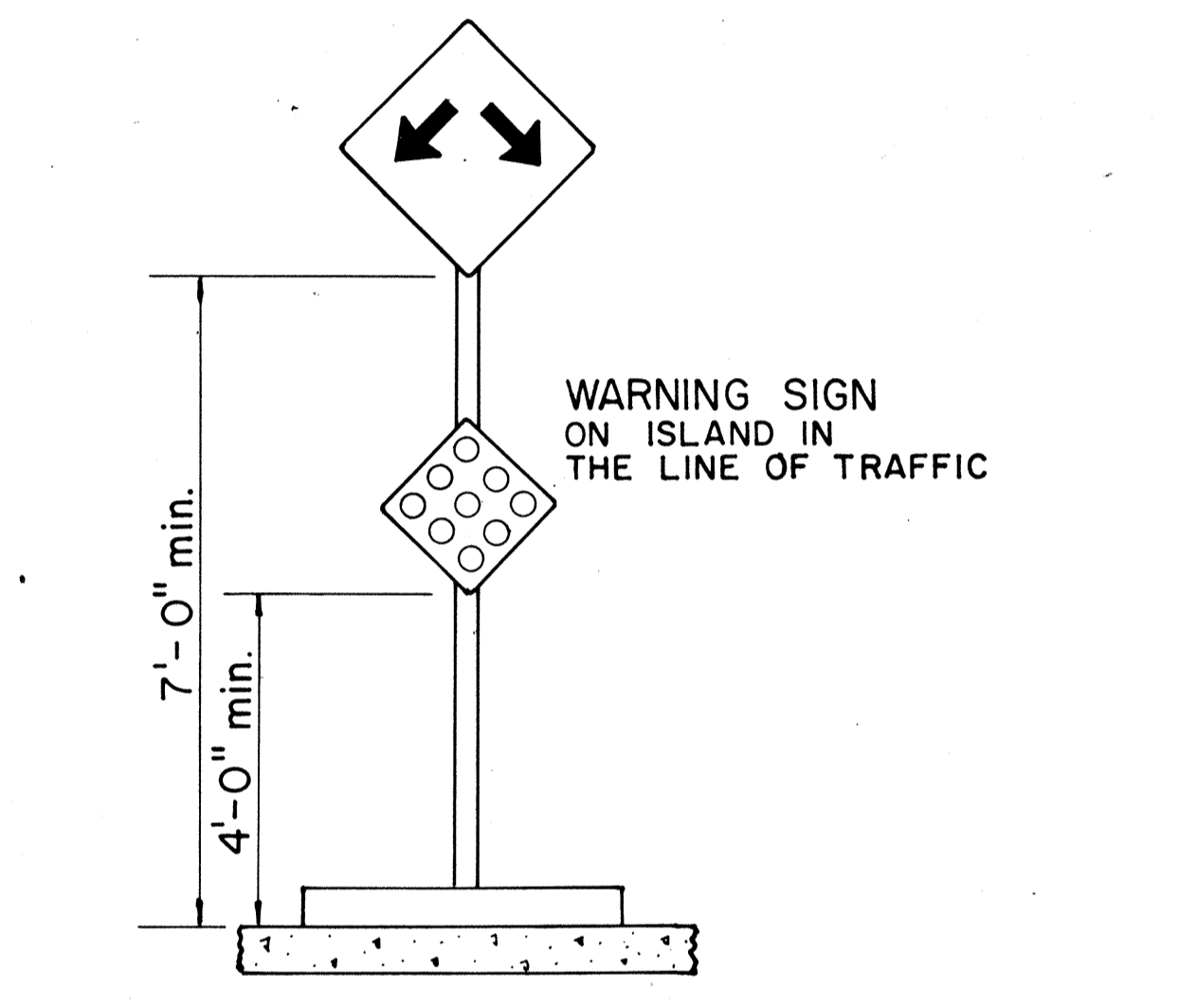
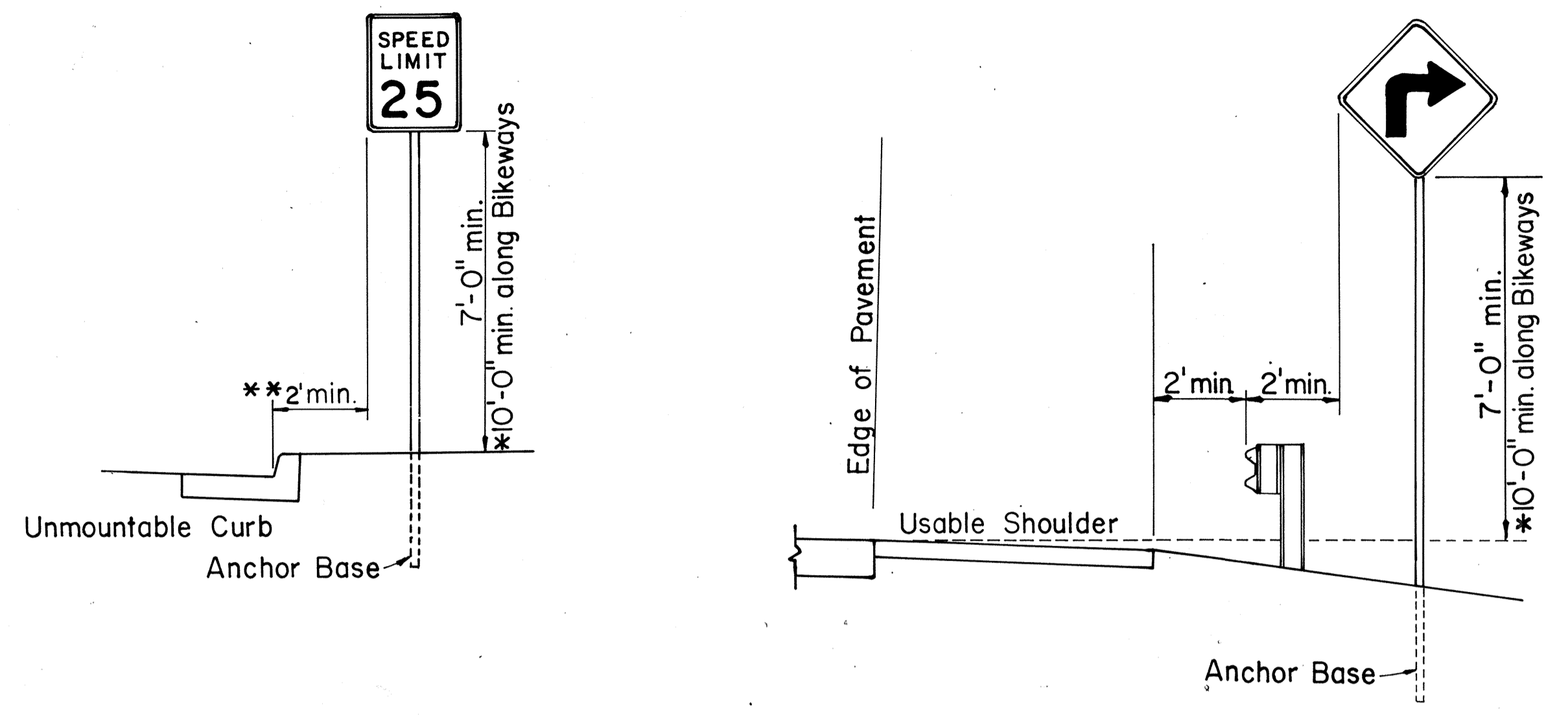
APPROVED:
[Signature]
 ASSISTANT CHIEF, ENGINEERING
 DATE: 10-18-85

STATE OF HAWAII
 DEPARTMENT OF TRANSPORTATION
 HIGHWAYS DIVISION

STANDARD DETAILS

MISCELLANEOUS SIGN DETAILS

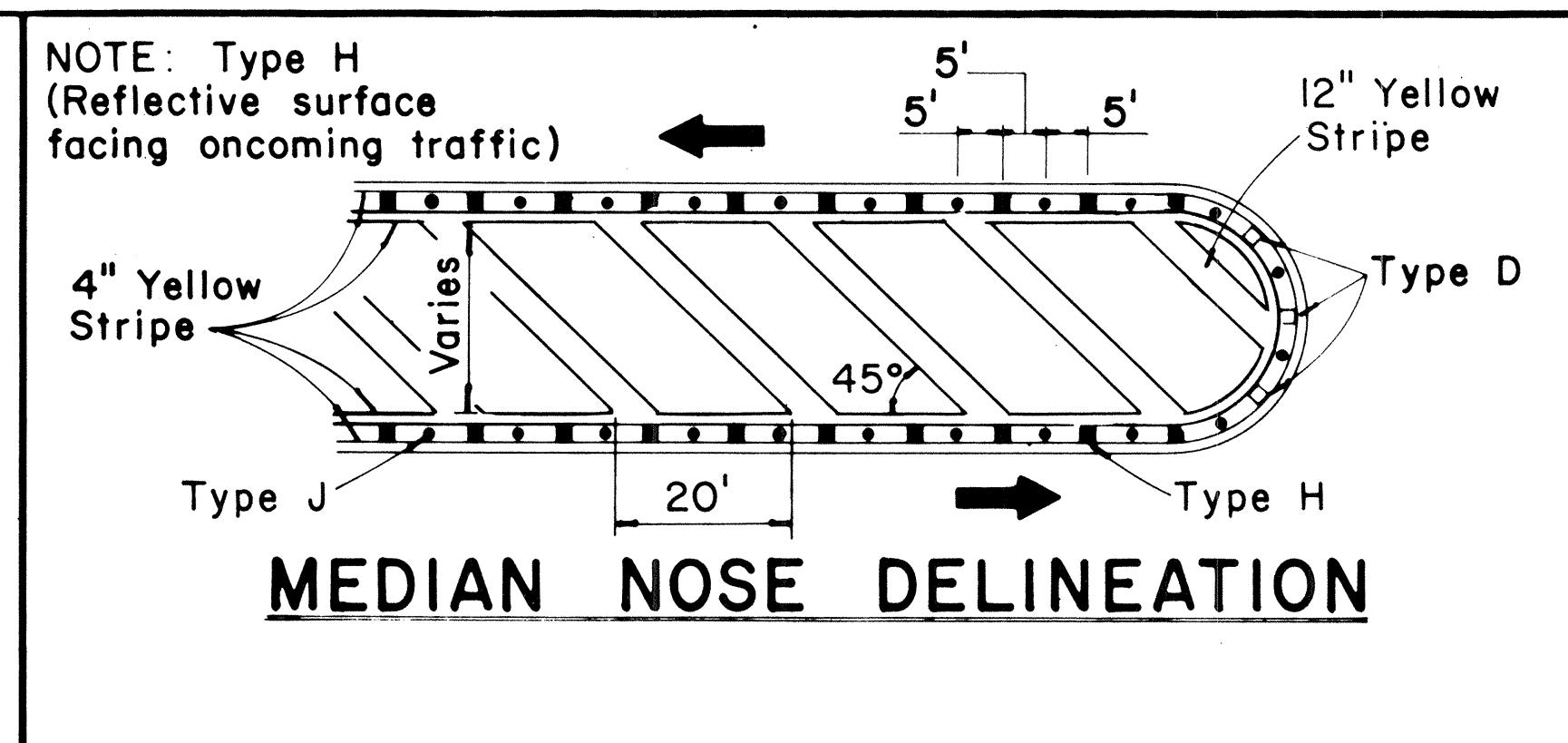
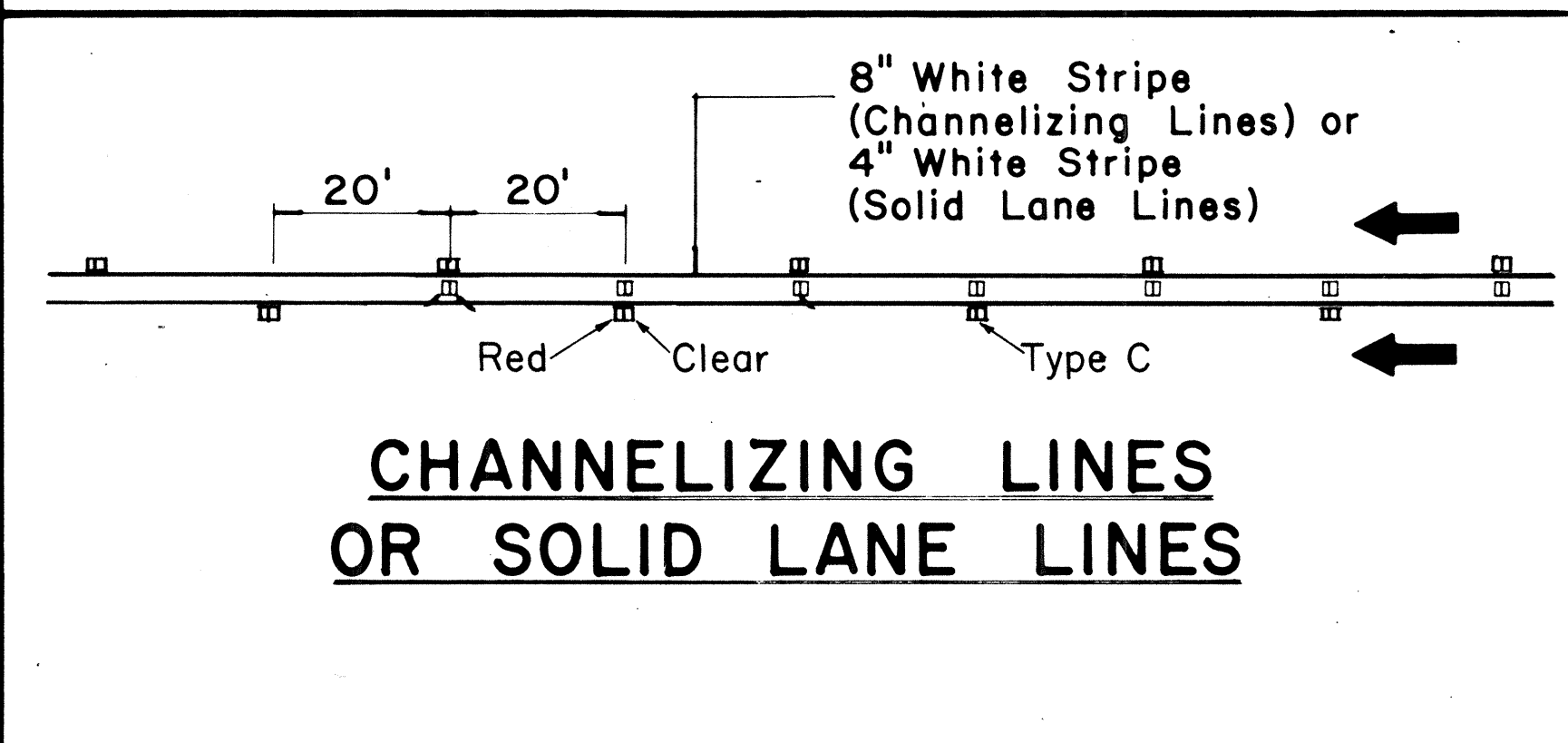
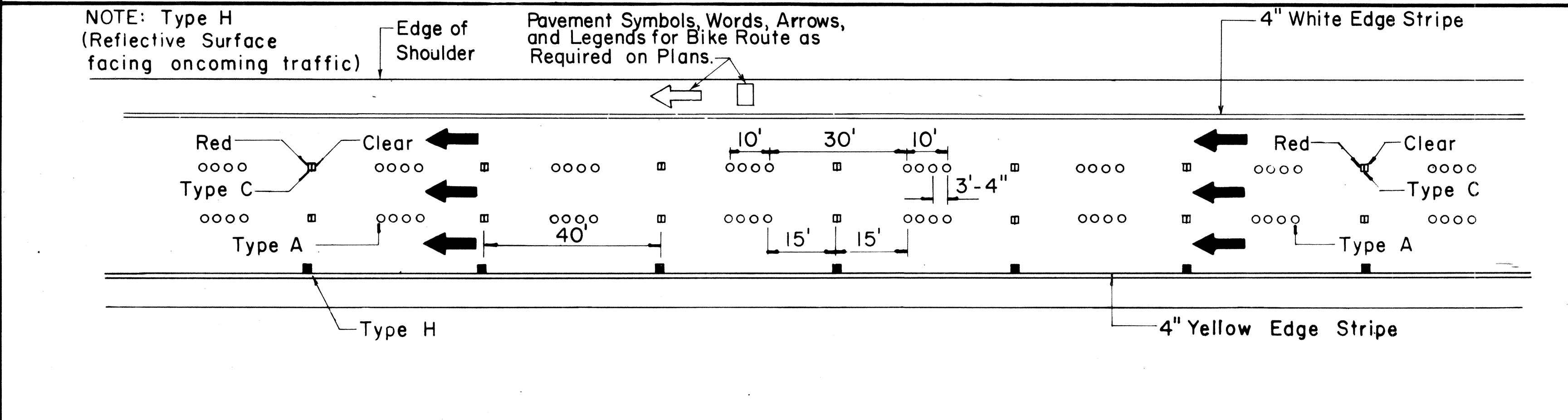
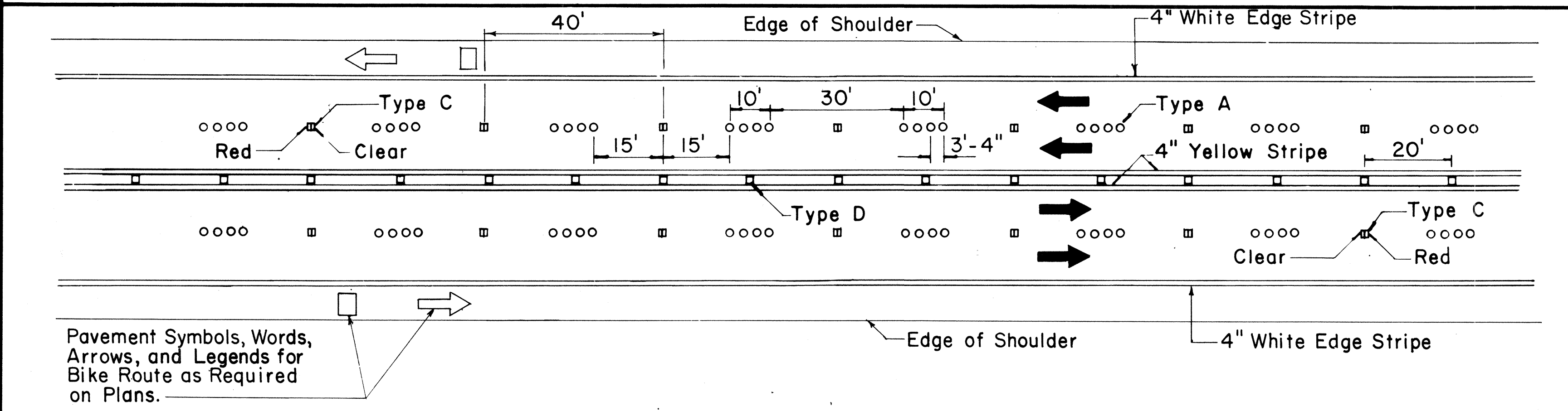
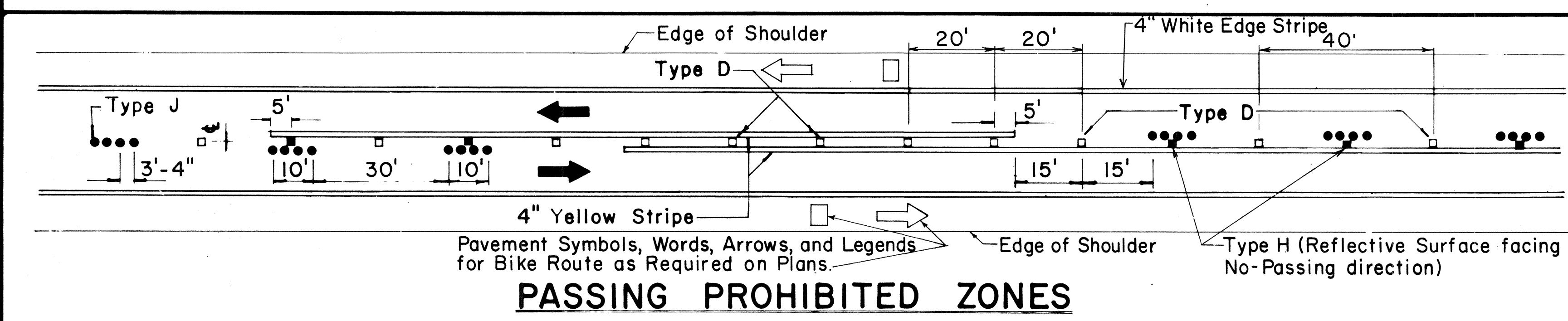
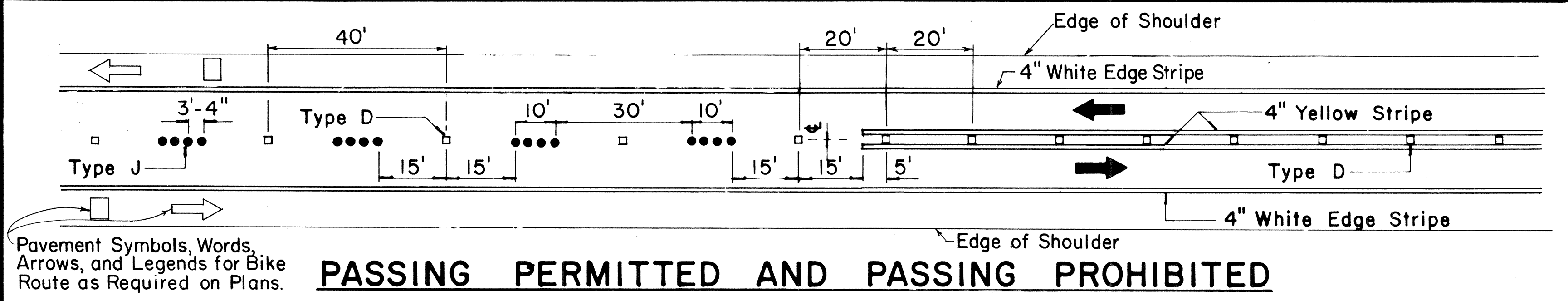
Not to Scale: Oct. 1983
 SHEET NO. 3 OF 6 SHEETS DT 100



**HEIGHT AND LATERAL LOCATION OF SIGNS
 TYPICAL INSTALLATION**

DATE	
SURVEY PLOTTED BY	
DRAWN BY	
TRACED BY	
NOTED BY	
CHECKED BY	
ORIGINAL PLAN	
NOTE BOOK	
No.	

FED. ROAD DIST. NO.	STATE	FED. AID PROJ. NO.	FISCAL YEAR	SHEET NO.	TOTAL SHEETS
HAWAII	HAW.	IR-HI-1 (196)	1986	20	22

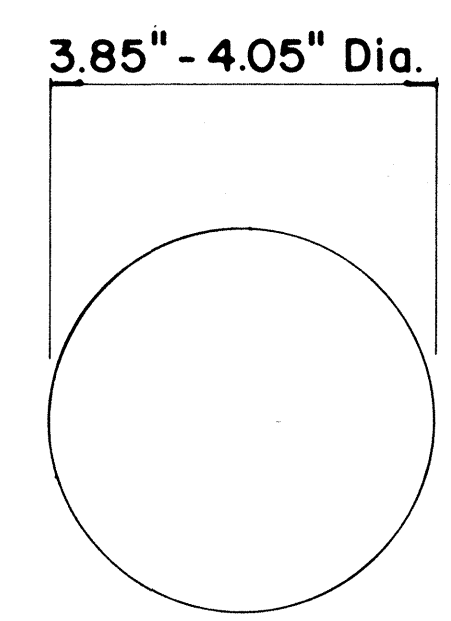


TWO - LANE

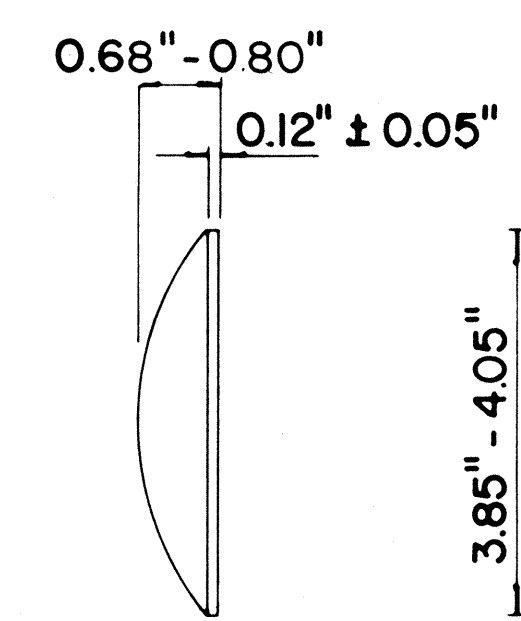
MULTI - LANE

DIVIDED HIGHWAY AND FREEWAY

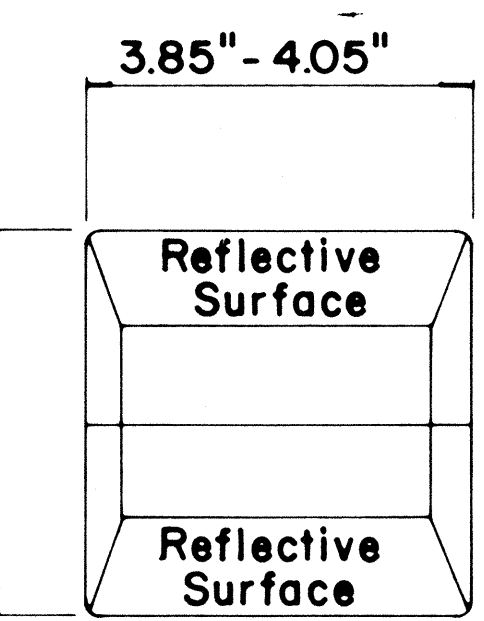
MISCELLANEOUS



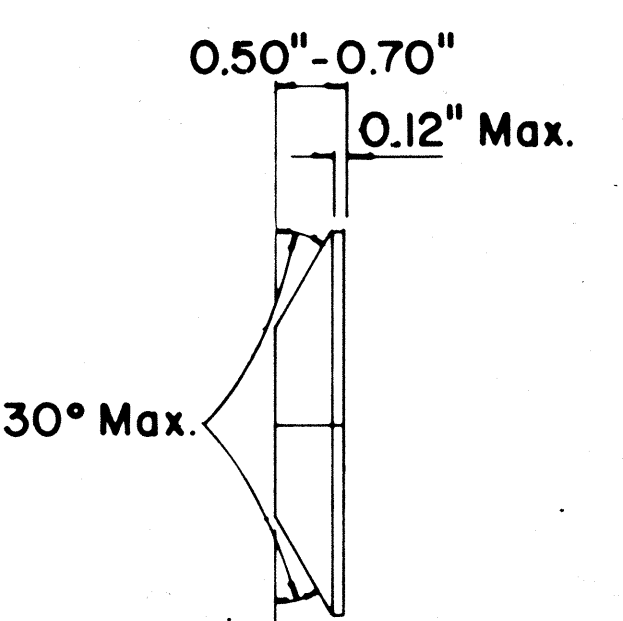
TYPE A
NON-REFLECTIVE WHITE MARKER



TYPE J
NON-REFLECTIVE YELLOW MARKER



TYPE C
RED-CLEAR REFLECTIVE MARKER



TYPE D
TWO-WAY YELLOW REFLECTIVE MARKER

TYPE H
ONE-WAY YELLOW REFLECTIVE MARKER

GENERAL NOTES

- Pavement marking and striping shall conform to the latest "Manual on Uniform Traffic Control Devices for Streets and Highways," and as amended.
- Layout and installation of pavement marking and striping shall be done by the Contractor. The Contractor shall check the layouts with the Engineer prior to performing work.
- Edge lines shall not be continued through intersections and shall not be broken for driveways unless otherwise shown or directed.

LEGEND

- Type A
- ◻ Type C
- ◻ Type D
- Type H
- Type J

APPROVAL RECOMMENDED:
Eiichi Tanaka 7/21/78
 TRAFFIC ENGINEER DATE

APPROVED:
Robert J. Zaki 7/24/78
 ASSISTANT CHIEF, ENGINEERING DATE

No.	REVISION	APPROVED BY	DATE
1	Supersedes DT 300 approved 11/18/71.	H.T.	1/24/78
2	Delete Type A Markers from Bike Route Delineation.	H.T.	10/15/79
3	Added General Note 3. Revised left edge stripe.	H.T.	9-28-83
4	Revised Channelizing Lines or Solid Lane Lines.	E.T.	9/18/85

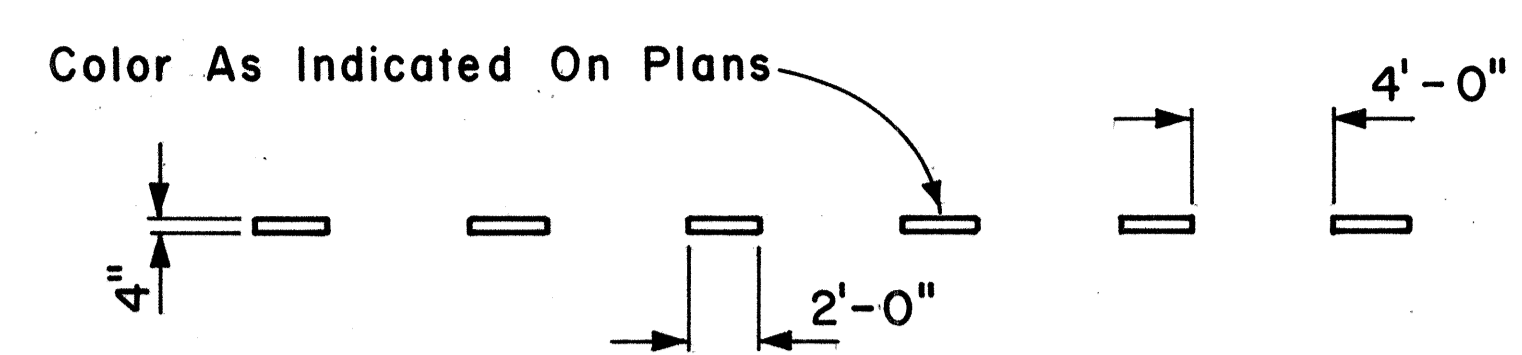
STATE OF HAWAII
DEPARTMENT OF TRANSPORTATION
HIGHWAYS DIVISION

STANDARD DETAILS
RAISED PAVEMENT MARKERS
AND STRIPING

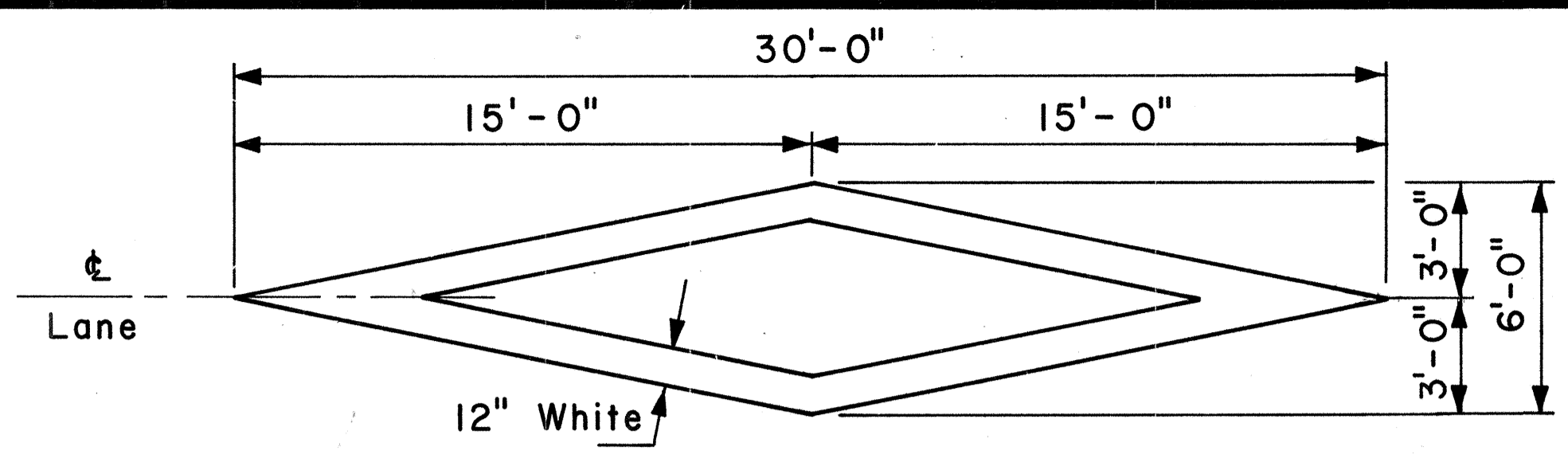
Not to Scale July 1978
SHEET No. 4 OF 6 SHEETS DT 300

DATE _____
 SURVEY PLOTTED BY _____
 DRAWN BY _____
 TRACED BY _____
 QUANTITIES BY _____
 CHECKED BY _____
 ORIGINAL PLAN _____
 NOTE BOOK _____

FED. ROAD DIST. NO.	STATE	FED. AID PROJ. NO.	FISCAL YEAR	SHEET NO.	TOTAL SHEETS
HAWAII	HAW.	IP-11-1 (196)	1980	21	22



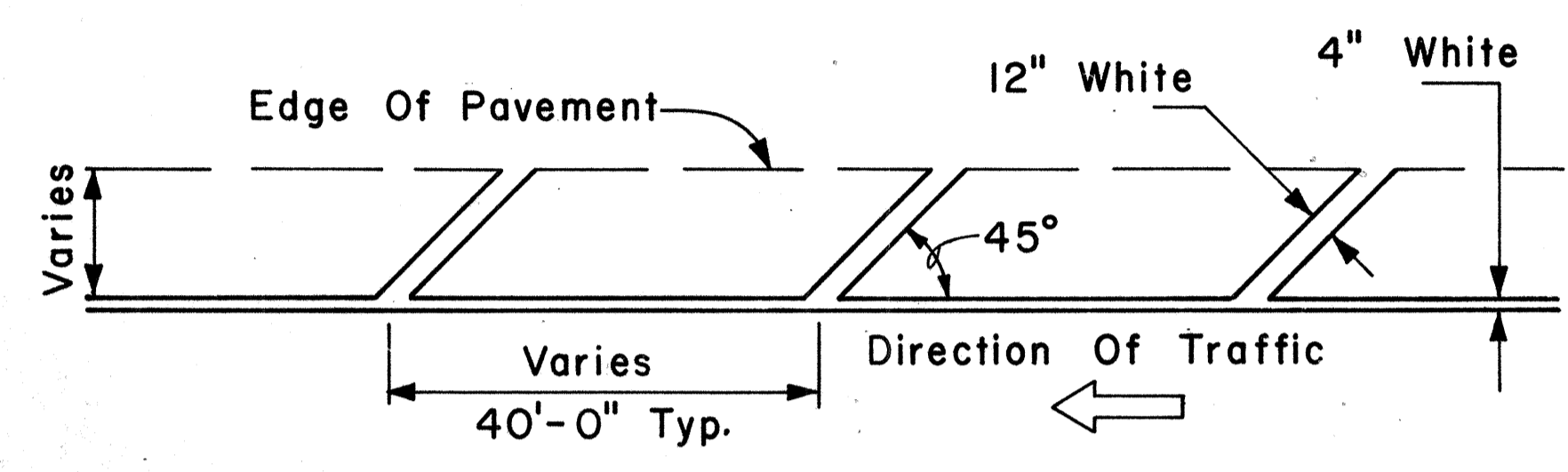
4" GUIDE LINE



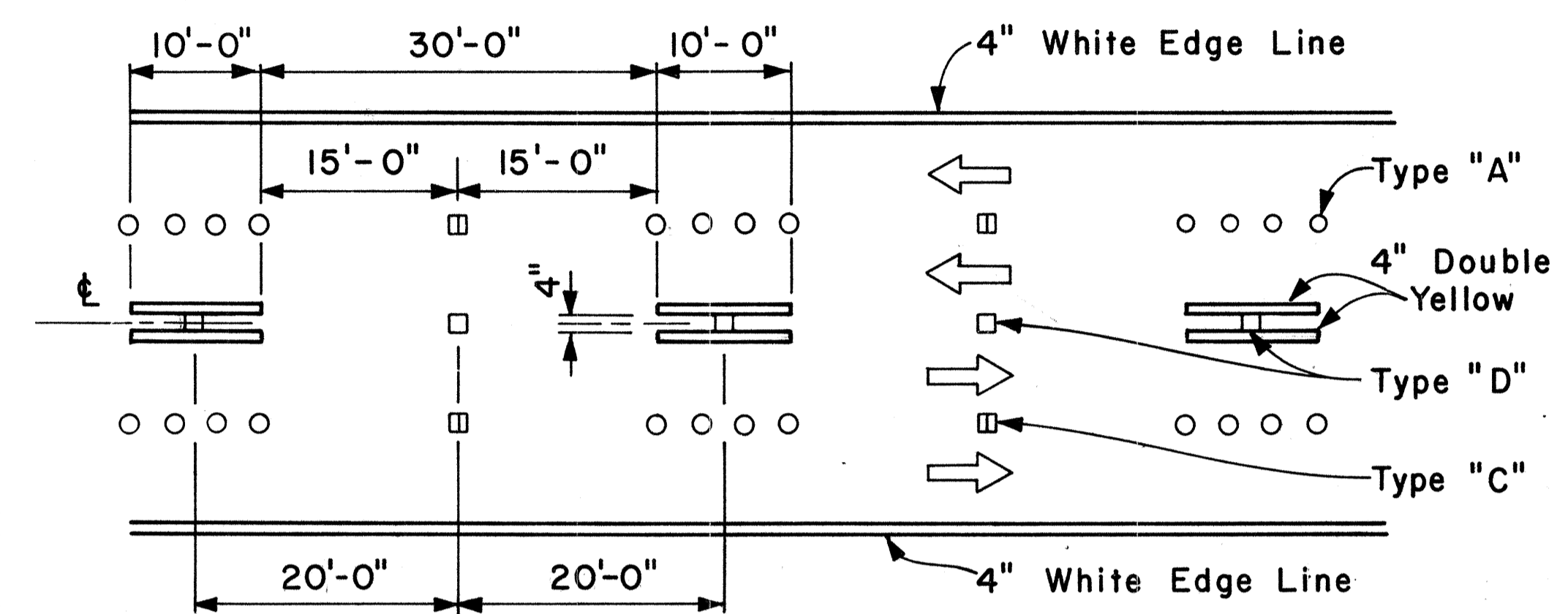
PAVEMENT DIAMOND

GENERAL NOTES:

1. Pavement marking and striping shall conform to the latest edition of the "Manual on Uniform Traffic Control Devices for Streets and Highways," by the FHWA, and as amended.
2. Layout of pavement markings and striping shall be done by the Contractor. The Contractor shall check layout of markings and striping with the Engineer prior to performing work.
3. For additional pavement marking details, see sheet DT 300.

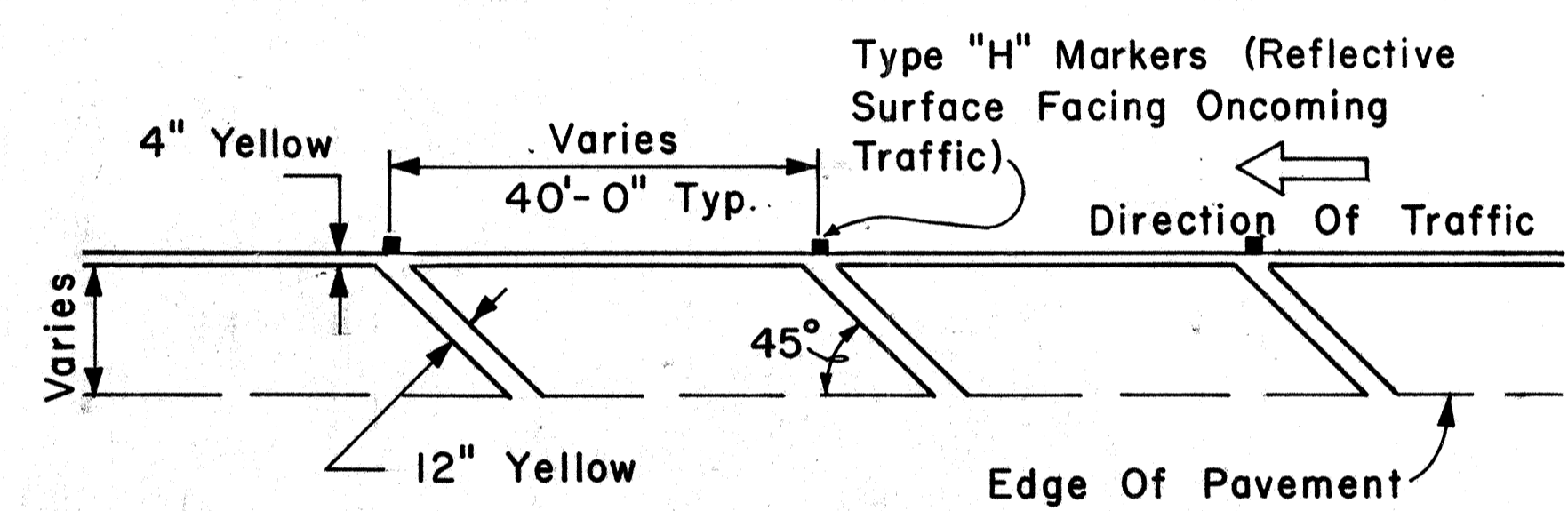


TRANSVERSE RIGHT SHOULDER MARKING

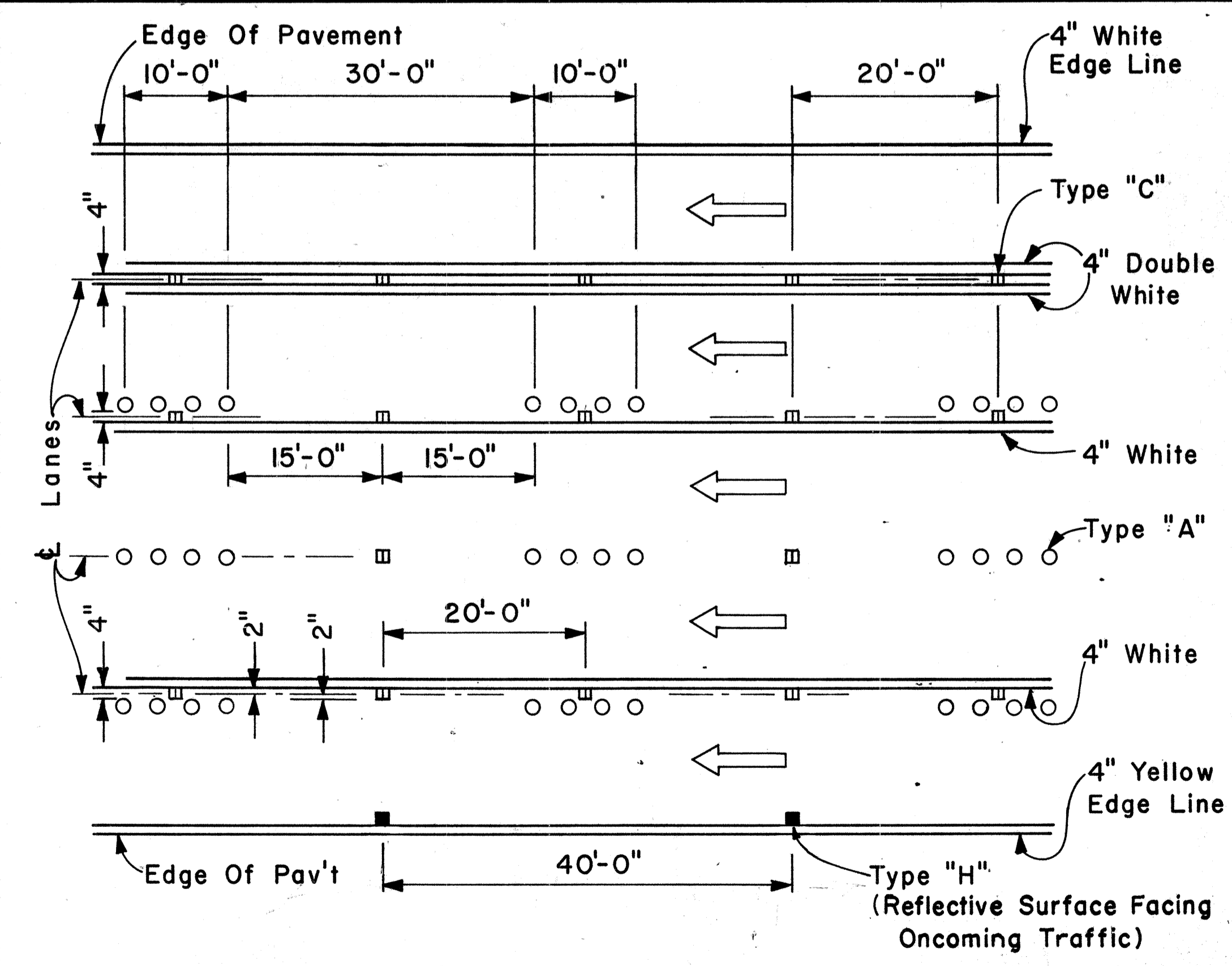


MULTI-LANE REVERSIBLE LANES

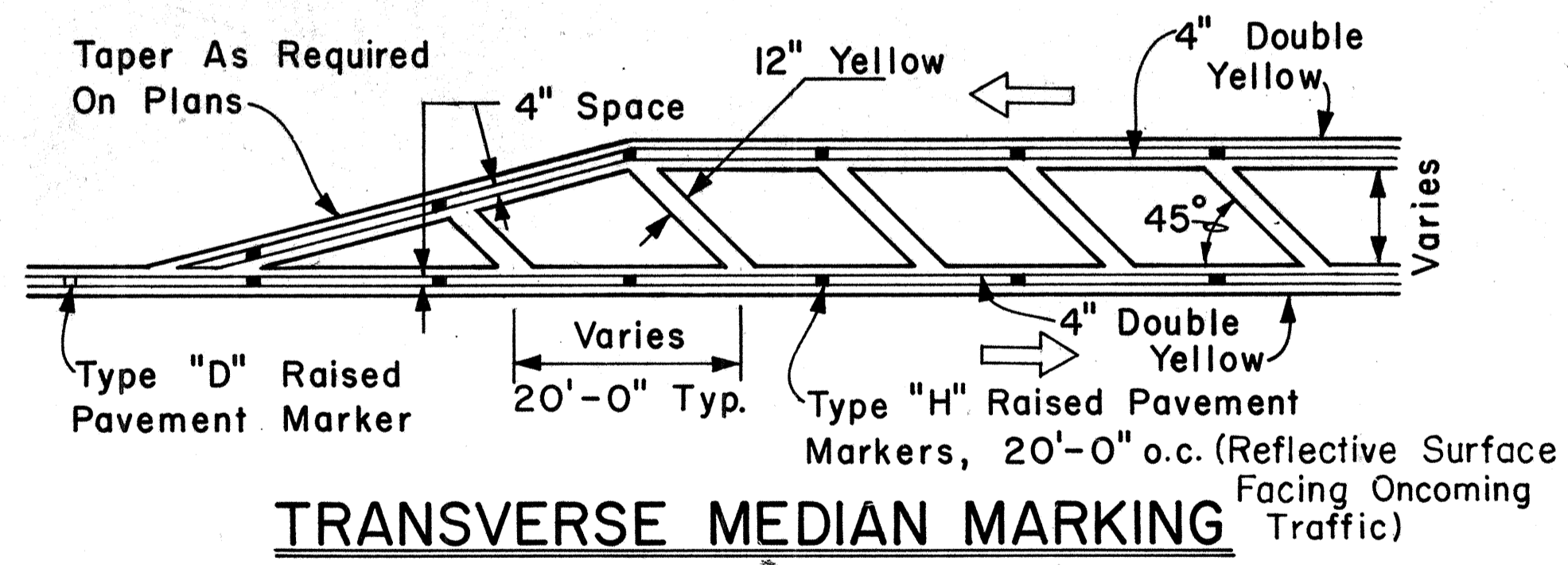
NOTE: Traffic Cone Usage Required.



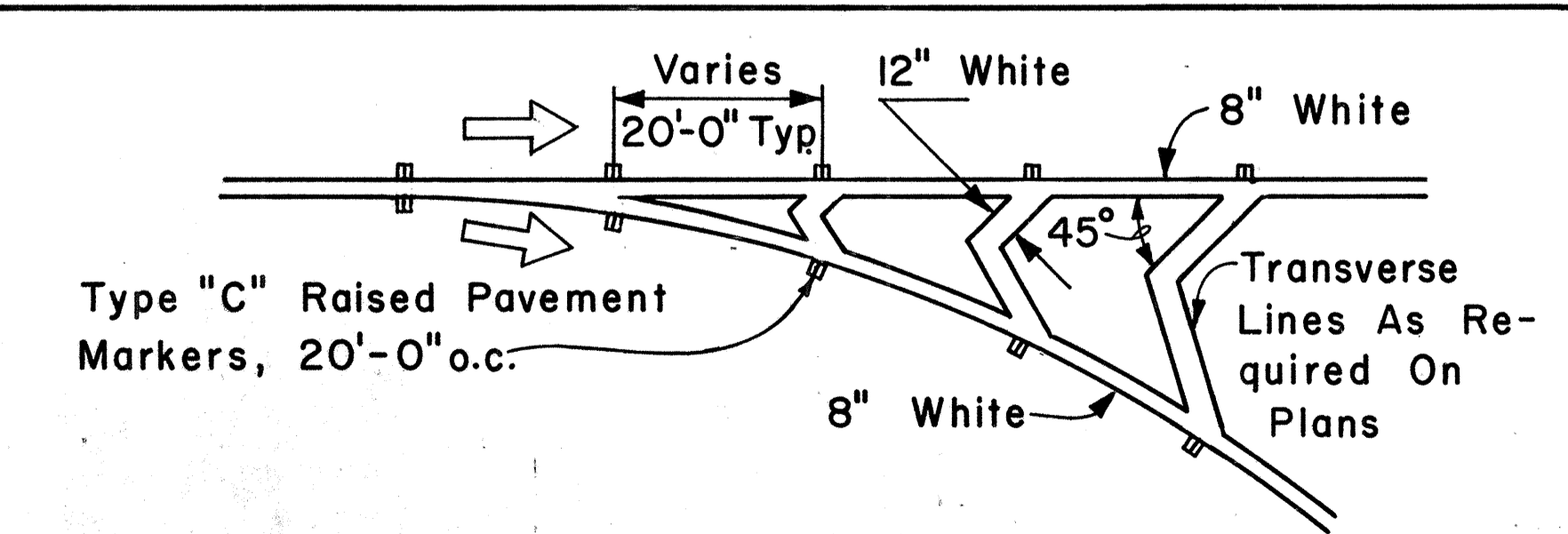
TRANSVERSE LEFT SHOULDER MARKING



MULTI-LANE LANE CHANGE RESTRICTION ZONES



TRANSVERSE MEDIAN MARKING



CHANNELIZING ISLAND

APPROVAL RECOMMENDED:
E. T. Tanaka 5/2/78
 TRAFFIC ENGINEER DATE

APPROVED:
Harold S. Zaleski 5/3/78
 ASSISTANT CHIEF, ENGINEERING DATE

NO.	REVISION	APPROVED BY	DATE
1	Revised Transverse left Shoulder Marking, Channelizing Island & Lane Change Restriction Zones.	E.T.	7/10/85

STATE OF HAWAII
 DEPARTMENT OF TRANSPORTATION
 HIGHWAYS DIVISION

STANDARD DETAILS

MISCELLANEOUS
 PAVEMENT MARKINGS

Scale: Not to Scale Date: April, 1978
 SHEET NO. 5 OF 6 SHEETS DT 302

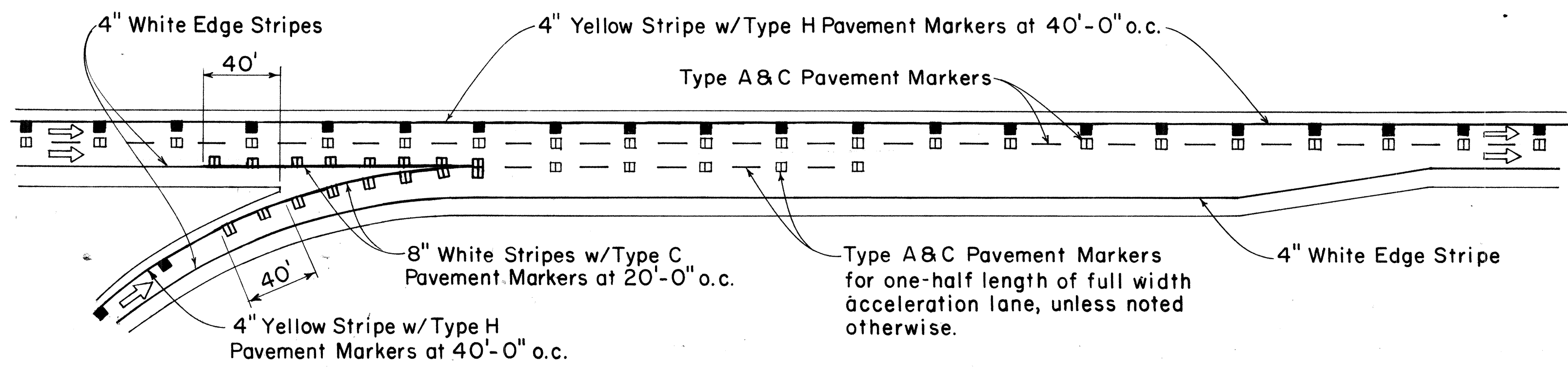
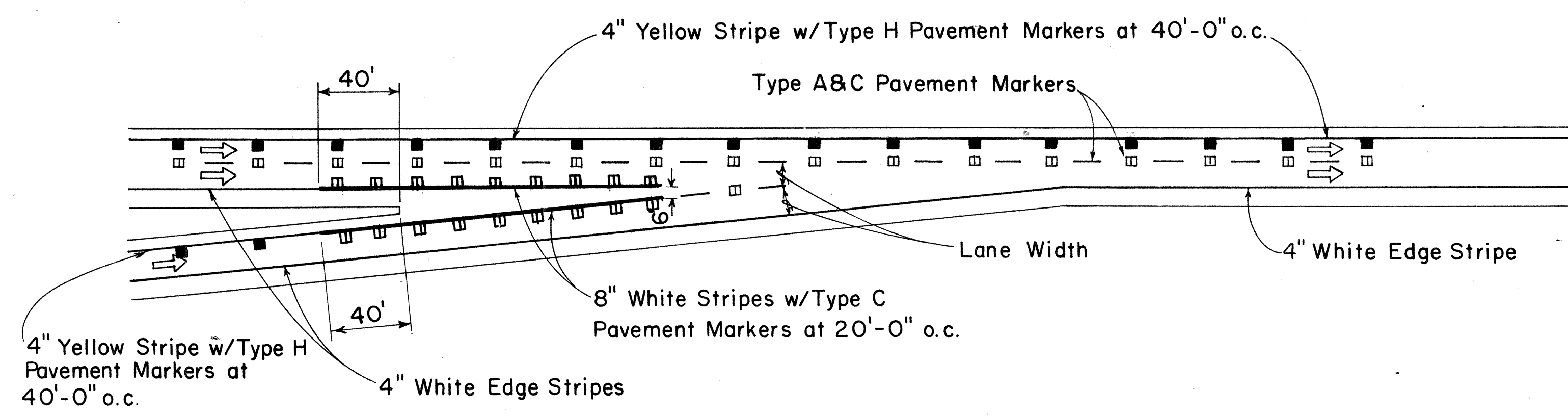
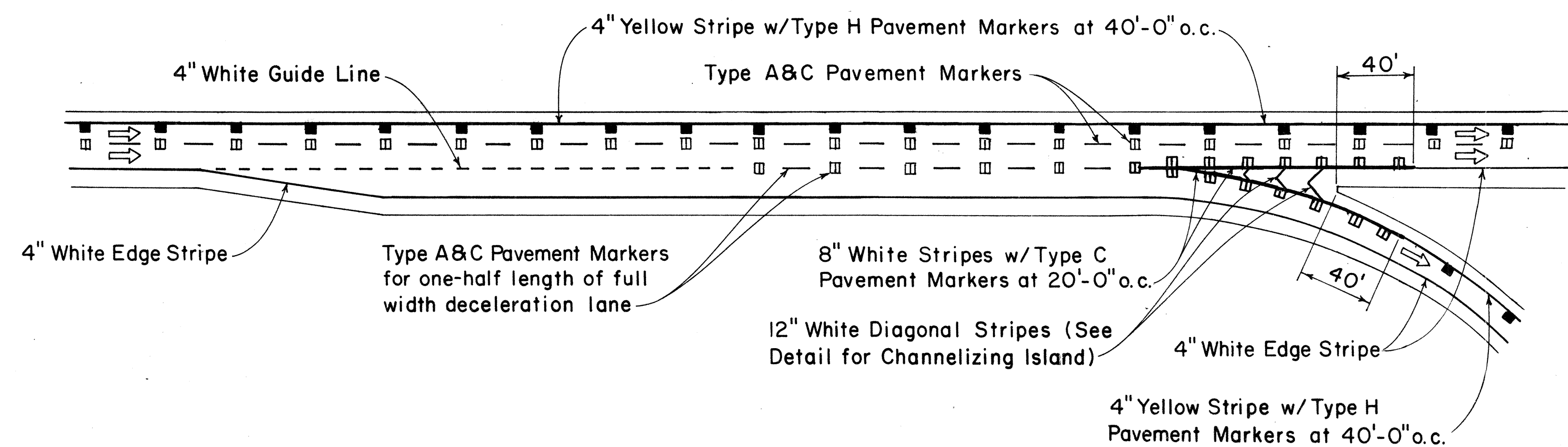
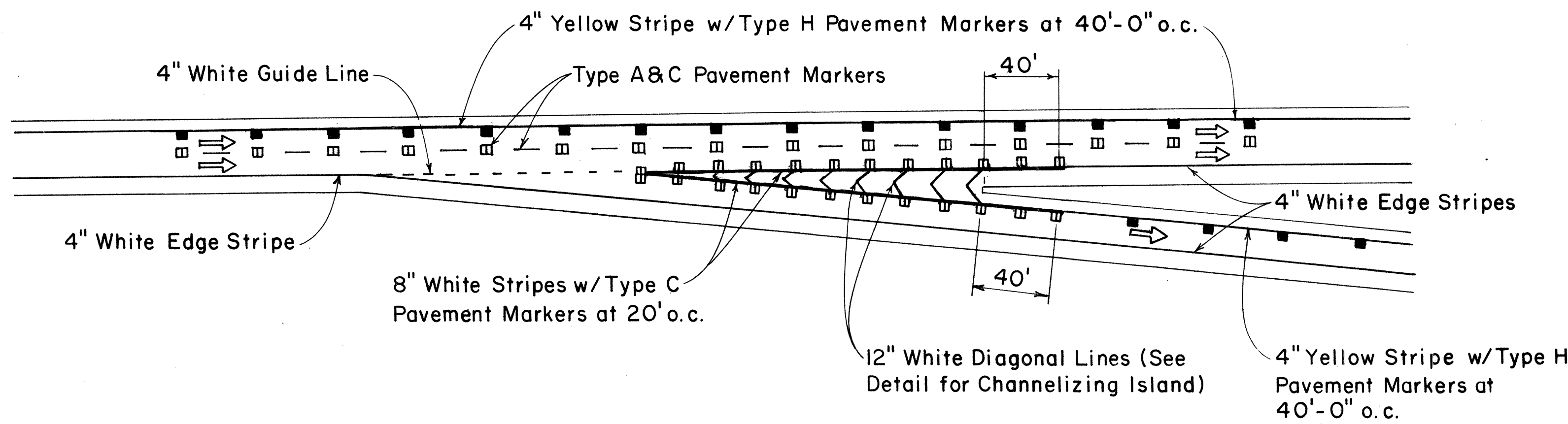
DATE: _____
 SURVEY PLOTTED BY: _____
 DRAWN BY: _____
 DESIGNED BY: _____
 QUANTITIES BY: _____
 CHECKED BY: _____
 ORIGINAL PLAN No. _____

FED. ROAD DIST. NO.	STATE	FED. AID PROJ. NO.	FISCAL YEAR	SHEET NO.	TOTAL SHEETS
HAWAII	HAW.	LR-HI-1 (196)	1986	22	22

GENERAL NOTES:

1. Pavement Markings and Striping shall conform to the latest edition of the "Manual on Uniform Traffic Control Devices for Streets and Highways," by the FHWA, and as amended.
2. Layout of Pavement Markings and Striping shall be done by the Contractor. The Contractor shall check layout of markings and striping with the Engineer prior to performing work.
3. For additional details, see sheet DT 300.

TAPERED DECELERATION LANE
 PARALLEL DECELERATION LANE
 TAPERED ACCELERATION LANE
 PARALLEL ACCELERATION LANE
 TYPICAL ROADWAY EXIT MARKINGS
 TYPICAL ROADWAY ENTRANCE MARKINGS



ORIGINAL PLAN	DATE
DESIGNED BY	
TRACED BY	
NOTE BOOK	
QUANTITIES BY	
CHECKED BY	
No.	

NO.	REVISION	APPROVED BY	DATE
1	Revised Typical Roadway Entrance Markings and Typical Roadway Exit Markings.	E.T.	7/24/78

APPROVAL RECOMMENDED:
Euske Tamaka 7/24/78
 TRAFFIC ENGINEER DATE

APPROVED:
Robert S. Sakaiishi 7/24/78
 ASSISTANT CHIEF, ENGINEERING DATE

STATE OF HAWAII
 DEPARTMENT OF TRANSPORTATION
 HIGHWAYS DIVISION
STANDARD DETAILS
MISCELLANEOUS
PAVEMENT MARKINGS

Not to Scale July 1978
 SHEET No. 6 OF 6 SHEETS DT 304