

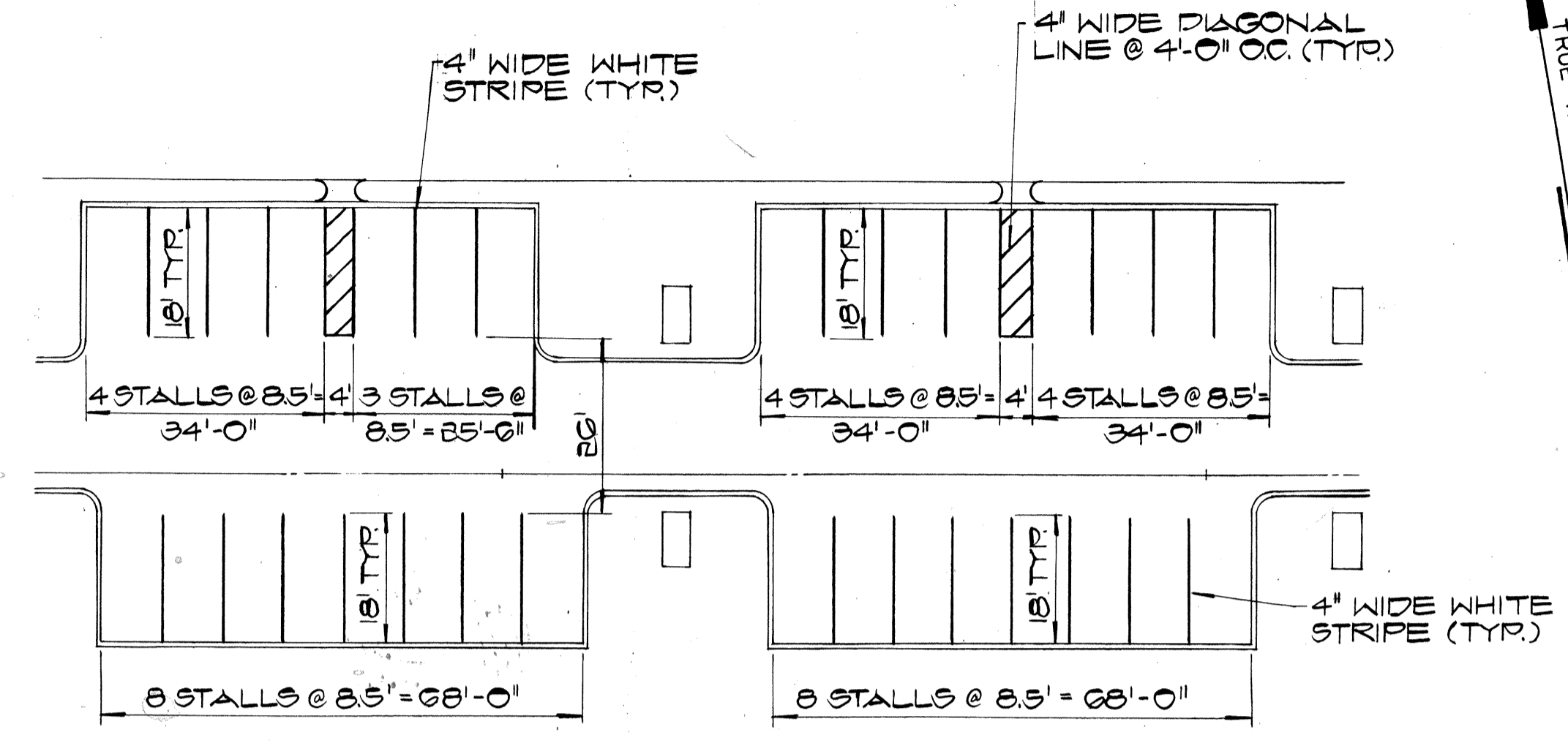
FED. ROAD DIST. NO.	STATE	FED. AID PROJ. NO.	FISCAL YEAR	SHEET NO.	TOTAL SHEETS
HAWAII	HAW.	I-HI-1(175):10	1983	23	191

GENERAL NOTES

- SIGNS SHALL CONFORM TO THE LATEST EDITIONS AND AMENDMENTS OF THE FOLLOWING FHWA PUBLICATIONS:
 A) "MANUAL ON UNIFORM TRAFFIC CONTROL DEVICES FOR STREETS AND HIGHWAYS" (MUTCO).
 B) "STANDARD HIGHWAY SIGNS"
 C) "STANDARD ALPHABETS FOR HIGHWAY SIGNS"
- LETTER SIZE: UPPERCASE AND LOWERCASE LETTERS USE SERIES "E" MODIFIED.
- BORDERS SHALL BE 2" WIDE UNLESS OTHERWISE NOTED CORNER RADII SHALL BE APPROXIMATELY ONE-EIGHTH OF THE LESSER SIDE DIMENSION OF THE SIGN. RADII SHALL BE 3" MINIMUM AND 12" MAXIMUM.
- NEW SIGN PANELS SHALL BE LAMINATED ALUMINUM OR EXTRUDED ALUMINUM.
- "EXIT ONLY" PANELS SHALL HAVE A BLACK LEGEND ON A HIGH INTENSITY REFLECTORIZED YELLOW BACKGROUND.
- THE PANEL POSITION OF SIGN PANELS ABOVE THE ROADWAY SHALL BE APPROVED BY THE ENGINEER.

SIGNING AND PAVEMENT MARKING NOTES

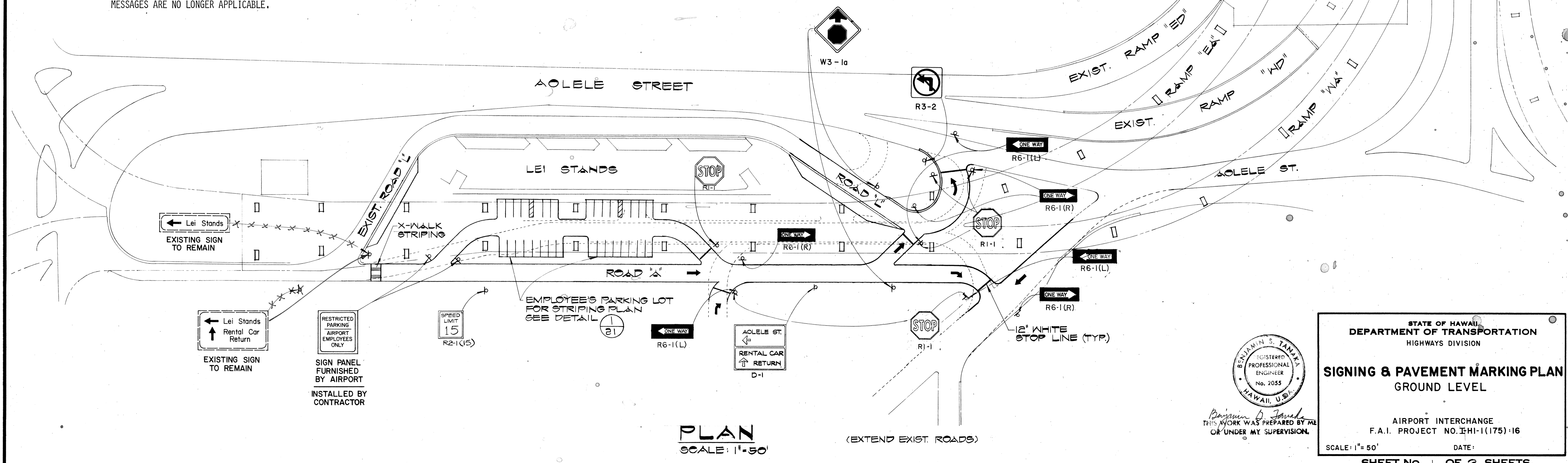
- THE FINAL LOCATION OF ALL SIGNS SHALL BE APPROVED BY THE ENGINEER.
- BACKING FOR ALL REGULATORY & WARNING SIGNS SHALL NOT BE SPLICED.
- LOCATIONS OF ALL NEW PAVEMENT MARKERS, STRIPING AND MARKINGS SHALL BE STAKED OUT BY THE CONTRACTOR FOR APPROVAL BY THE ENGINEER PRIOR TO INSTALLATION.
- EXISTING PAVEMENT MARKERS, STRIPING, MARKINGS AND SIGNING NOT INCORPORATED IN THE FINAL TRAFFIC PATTERN SHALL BE REMOVED AS DIRECTED BY THE ENGINEER. EXISTING SIGNS SHALL NOT BE REMOVED UNTIL NEW SIGNS ARE INSTALLED AS REPLACEMENTS OR UNTIL THE MESSAGES ARE NO LONGER APPLICABLE.



(EMPLOYEE'S PARKING LOT AT LEI STANDS)

STRIPING PLAN 1/21

SCALE: 1" = 20'



PLAN

SCALE: 1" = 50'

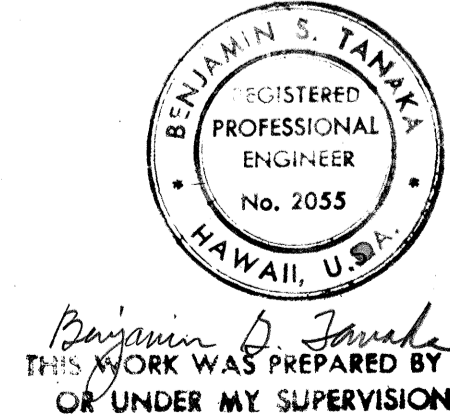
STATE OF HAWAII
 DEPARTMENT OF TRANSPORTATION
 HIGHWAYS DIVISION

SIGNING & PAVEMENT MARKING PLAN
 GROUND LEVEL

AIRPORT INTERCHANGE
 F.A.I. PROJECT NO. IHI-1(175):16

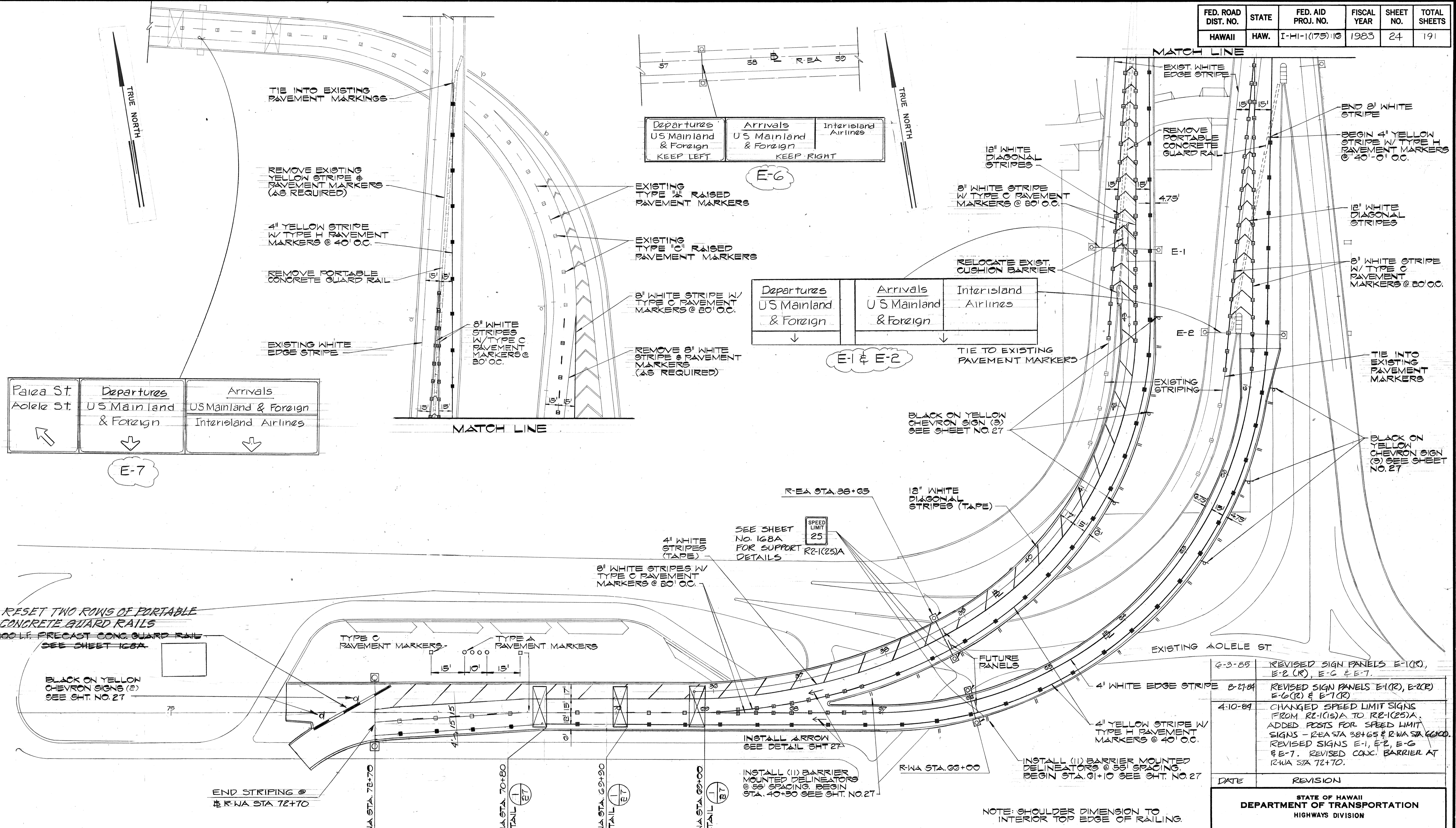
SCALE: 1" = 50' DATE:

SHEET NO. 1 OF 2 SHEETS



DATE
SURVEY PLOTTED BY
DRAWN BY
TRACED BY
DESIGNED BY
QUANTITIES BY
CHECKED BY
ORIGINAL PLAN
NOTE BOOK
No.

FED. ROAD DIST. NO.	STATE	FED. AID PROJ. NO.	FISCAL YEAR	SHEET NO.	TOTAL SHEETS
HAWAII	HAW.	I-HI-1(175)-10	1983	24	191



Paiaa St Aolele St	Departures US Mainland & Foreign	Arrivals US Mainland & Foreign Interisland Airlines
←	↓	↓

Departures US Mainland & Foreign KEEP LEFT	Arrivals US Mainland & Foreign KEEP RIGHT	Interisland Airlines
---	--	-------------------------

Departures US Mainland & Foreign	Arrivals US Mainland & Foreign	Interisland Airlines
--	--------------------------------------	-------------------------

RESET TWO ROWS OF PORTABLE CONCRETE GUARD RAILS
100 LF. PRECAST CONG. GUARD RAIL
SEE SHEET 108A

BLACK ON YELLOW CHEVRON SIGNS (2)
SEE SHT. NO. 27

- LEGEND: (PAVEMENT MARKING)
- TYPE "C" RAISED PAVEMENT MARKER
 - TYPE "H" RAISED PAVEMENT MARKER
 - 4 EACH TYPE "A" RAISED PAVEMENT MARKER

PLAN
SCALE: 1" = 50'

CHANGE ORDER C.C.O. #9



Benjamin S. Tanaka
THIS WORK WAS PREPARED BY ME OR UNDER MY SUPERVISION.

DATE	REVISION
8-3-85	REVISED SIGN PANELS E-1(R), E-2(R), E-6 & E-7.
8-27-84	REVISED SIGN PANELS E-1(R), E-2(R) & E-7(R)
4-10-84	CHANGED SPEED LIMIT SIGNS FROM R2-1(15)A TO R2-1(25)A. ADDED POSTS FOR SPEED LIMIT SIGNS - REA STA 38+65 & RWA STA 66+00. REVISED SIGNS E-1, E-2, E-6 & E-7. REVISED CONC. BARRIER AT RWA STA 72+70.

STATE OF HAWAII
DEPARTMENT OF TRANSPORTATION
HIGHWAYS DIVISION

SIGNING & PAVEMENT MARKING PLAN
RAMP LEVEL

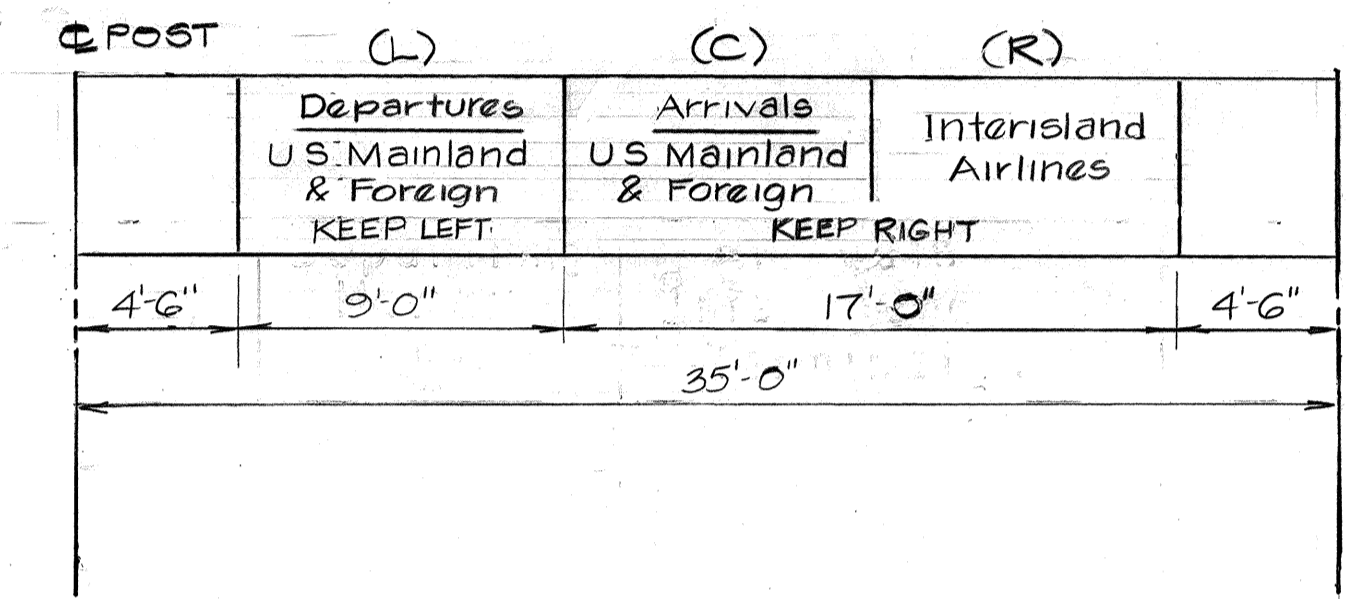
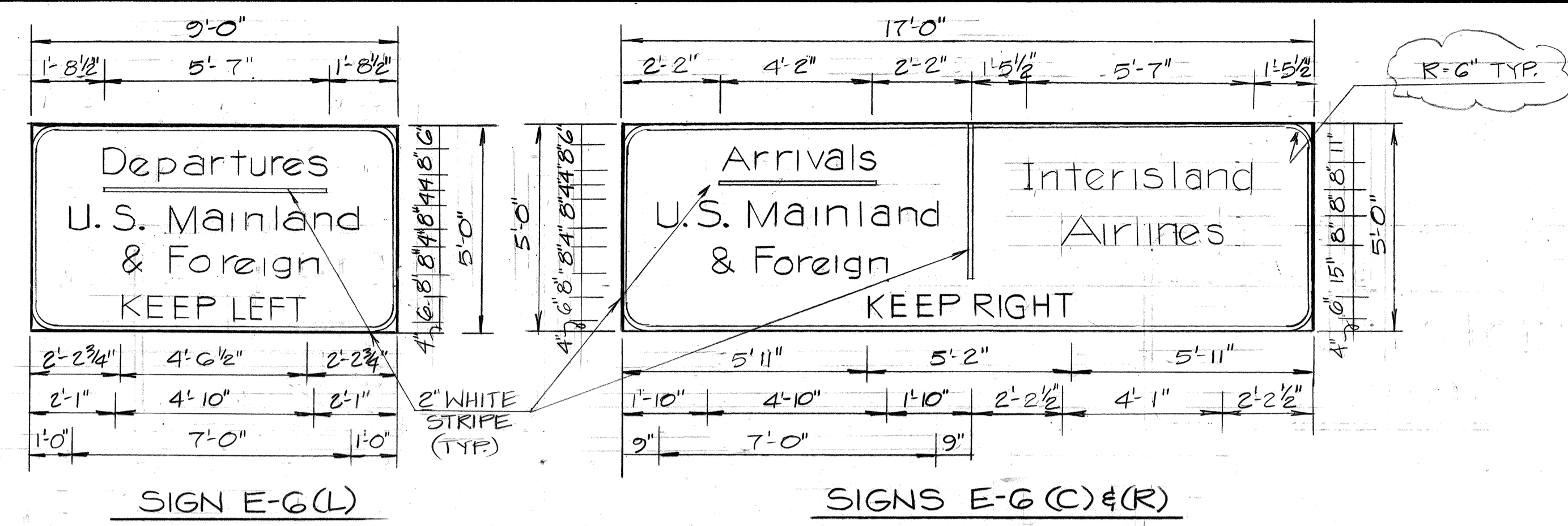
AIRPORT INTERCHANGE
F.A.I. PROJECT NO. I-HI-1(175)-16

SCALE: 1" = 50' DATE: SEPT, 1982

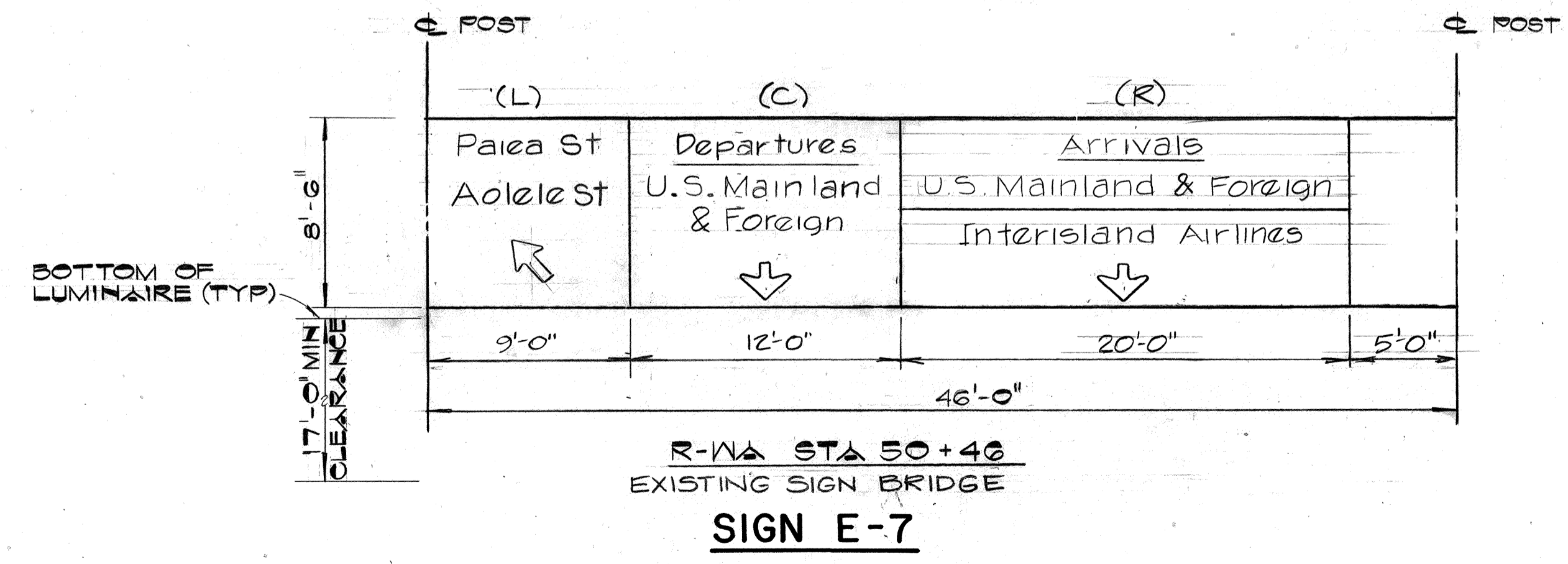
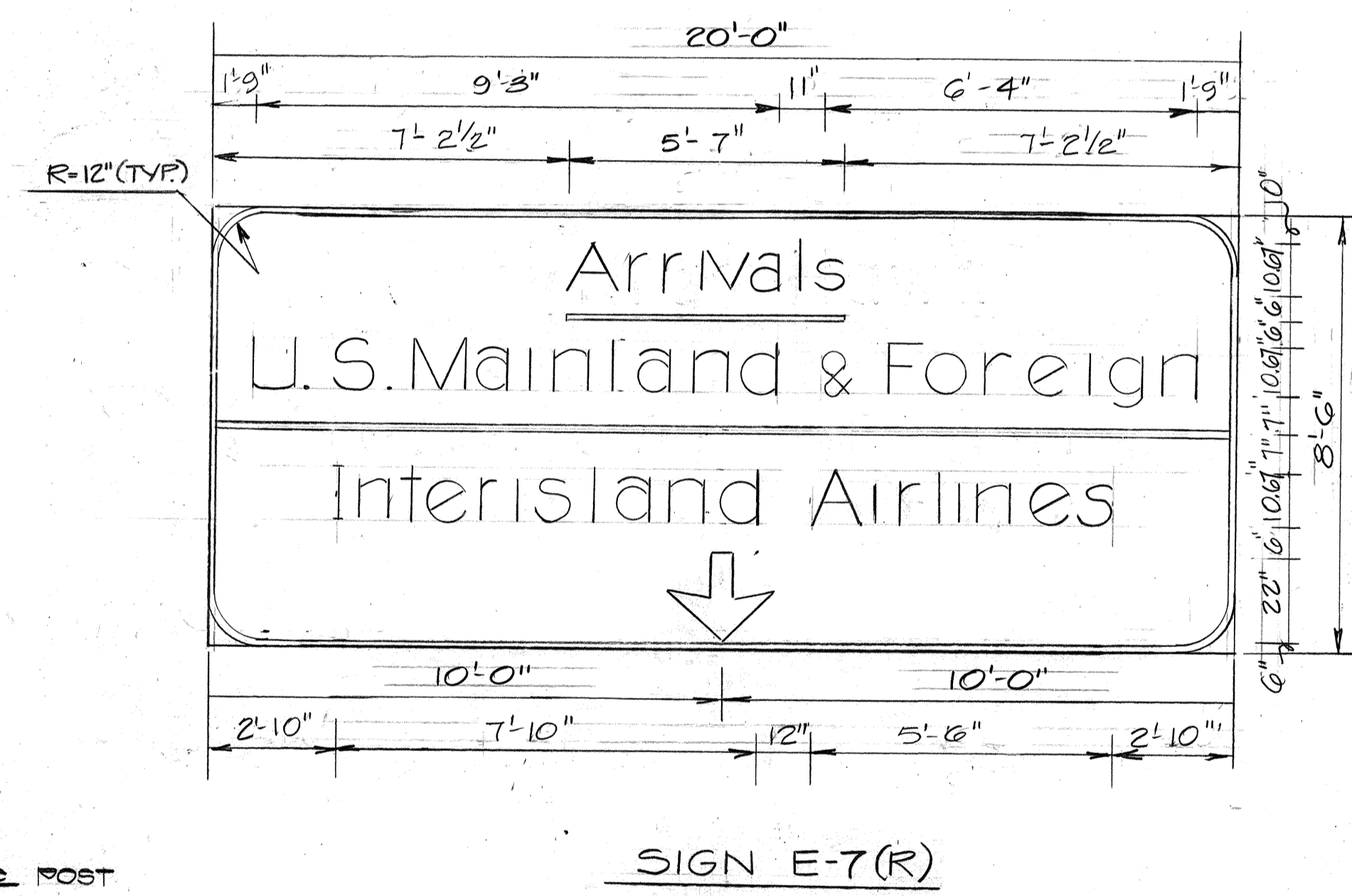
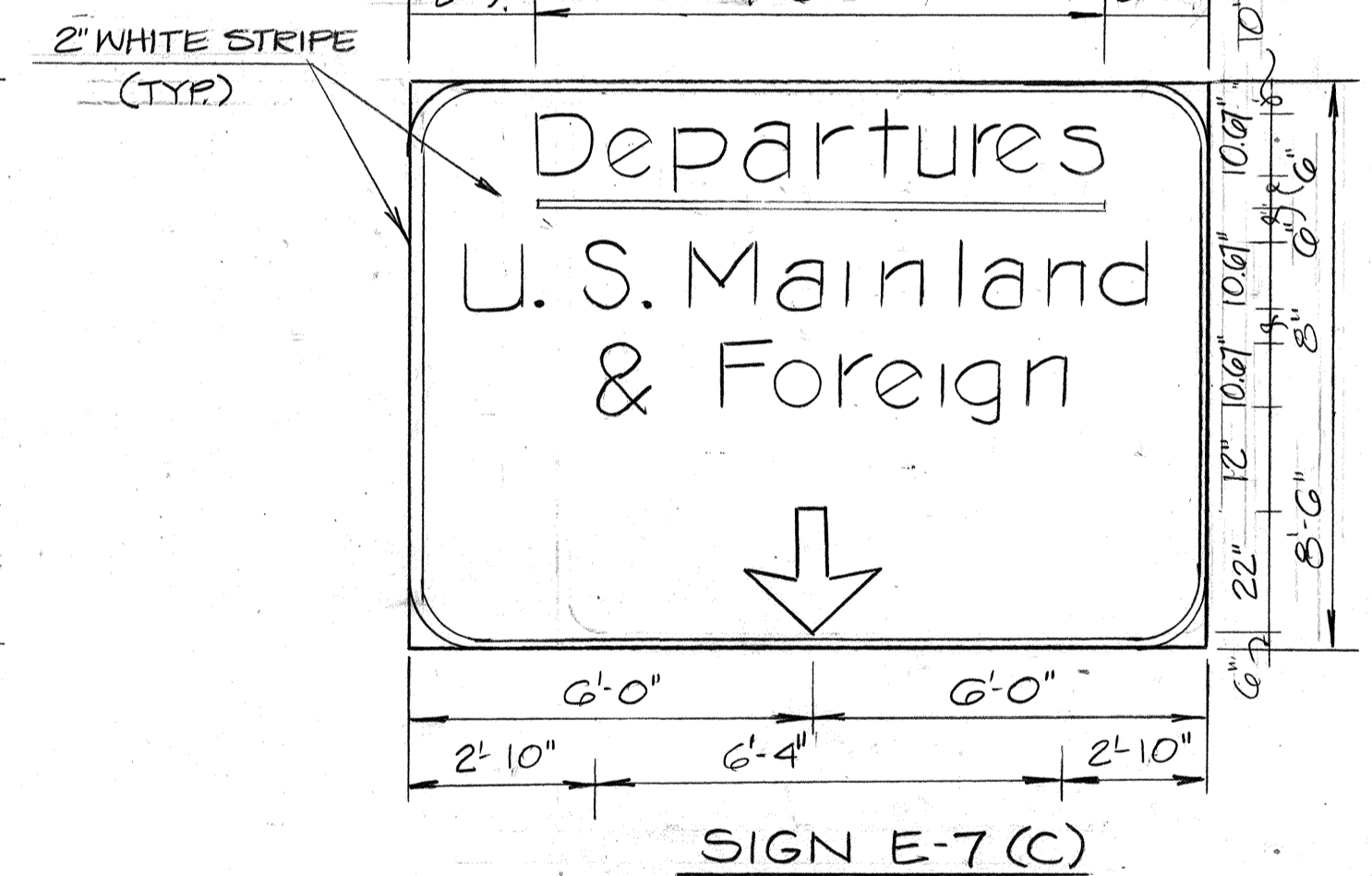
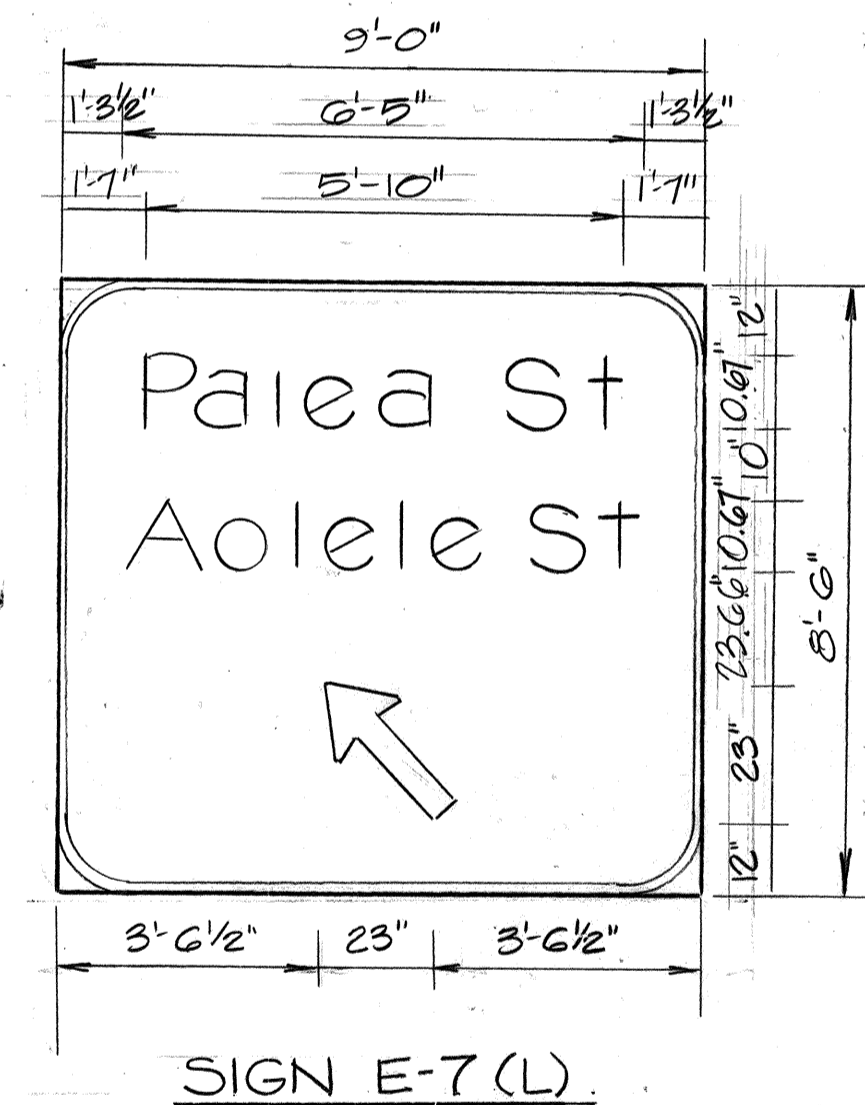
SHEET No. 2 OF 2 SHEETS

C024

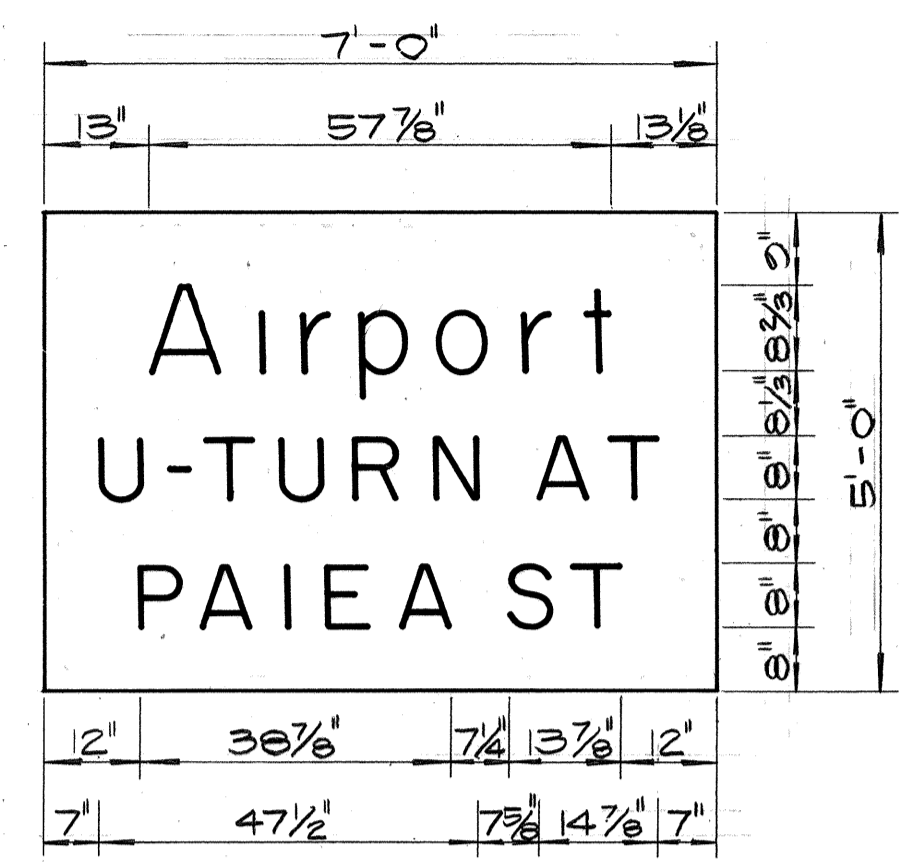
FED. ROAD DIST. NO.	STATE	FED. AID PROJ. NO.	FISCAL YEAR	SHEET NO.	TOTAL SHEETS
HAWAII	HAW.	I-HI-1(175)-16	1983	26	191



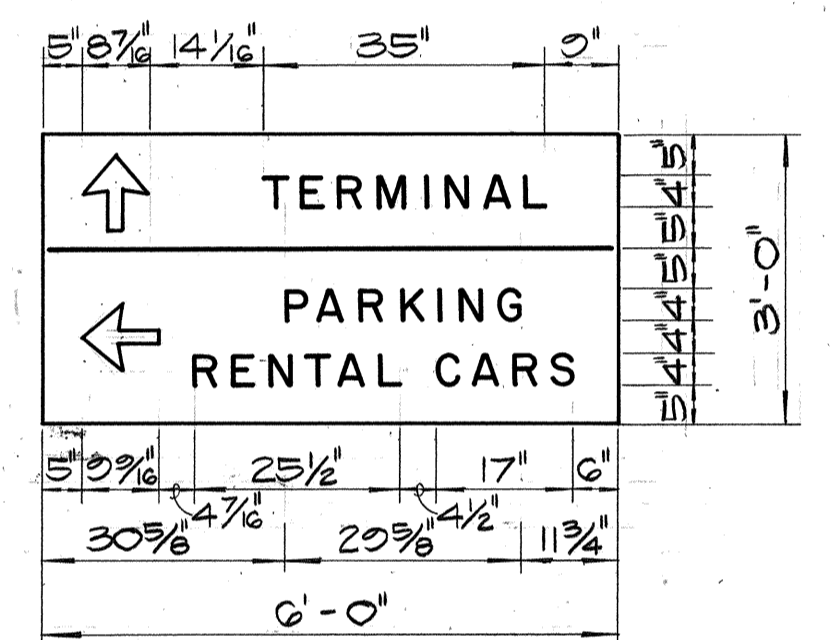
R-EA STA 57+45
EXISTING SIGN BRIDGE
SIGN E-6



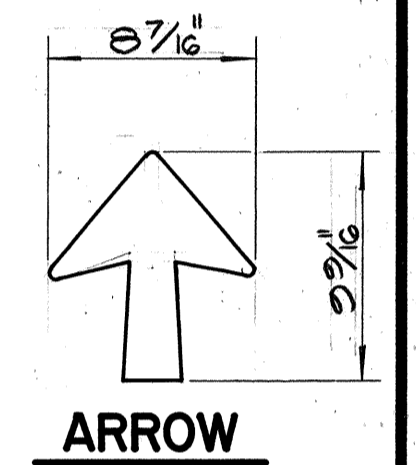
R-WA STA 50+46
EXISTING SIGN BRIDGE
SIGN E-7



C-1 DETOUR SIGN (2)



C-2 (AS SHOWN)
C-3 (ARROWS TURNED)

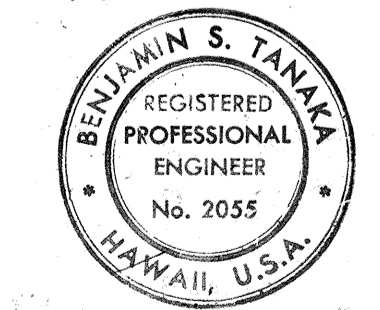


TEMPORARY DETOUR SIGNS TO BE MADE OF 3/4" PLYWOOD. LEGEND SHALL BE REFLECTORIZED WHITE ON GREEN BACKGROUND. PAY ITEM Q21.0210

6-3-85	REVISED SIGN MATERIALS, COLOR AND LETTER TYPE FOR SIGNS E-6 & E-7.
8-28-84	REVISED SIGN PANELS E-6 (R) & E-7 (R)
6-6-84	REVISED NOTES FOR SIGN E-6 NO. 2 & 4 AS SHOWN.
4-10-84	REVISED SIGNS E-6 & E-7
DATE	REVISION

SIGNS E-6 & E-7 ONLY

- REMOVE EXISTING PANELS ON EXISTING SIGN BRIDGES. STORE AT LOCATION DIRECTED BY ENGINEER OR STORE NEW SIGN PANELS AS DIRECTED BY THE ENGINEER.
- ARROWS SHALL BE STANDARD HIGHWAY ARROWS AS DETAILED ON SHEET NO. 27.
- LETTERS SHALL BE SERIES "E" OF THE SIZES SHOWN ON THE PLANS AND SHALL CONFORM WITH THE "STANDARD ALPHABET FOR HIGHWAYS SIGNS"
- SIGN COLORS AND MATERIALS SHALL CONFORM WITH SECTION 621, "STANDARD SPECIFICATIONS FOR ROAD AND BRIDGE CONSTRUCTION, HAWAII HIGHWAYS DIVISION, DEPARTMENT OF TRANSPORTATION."



Benjamin S. Tanaka
THIS WORK WAS PREPARED BY ME OR UNDER MY SUPERVISION.

STATE OF HAWAII
DEPARTMENT OF TRANSPORTATION
HIGHWAYS DIVISION

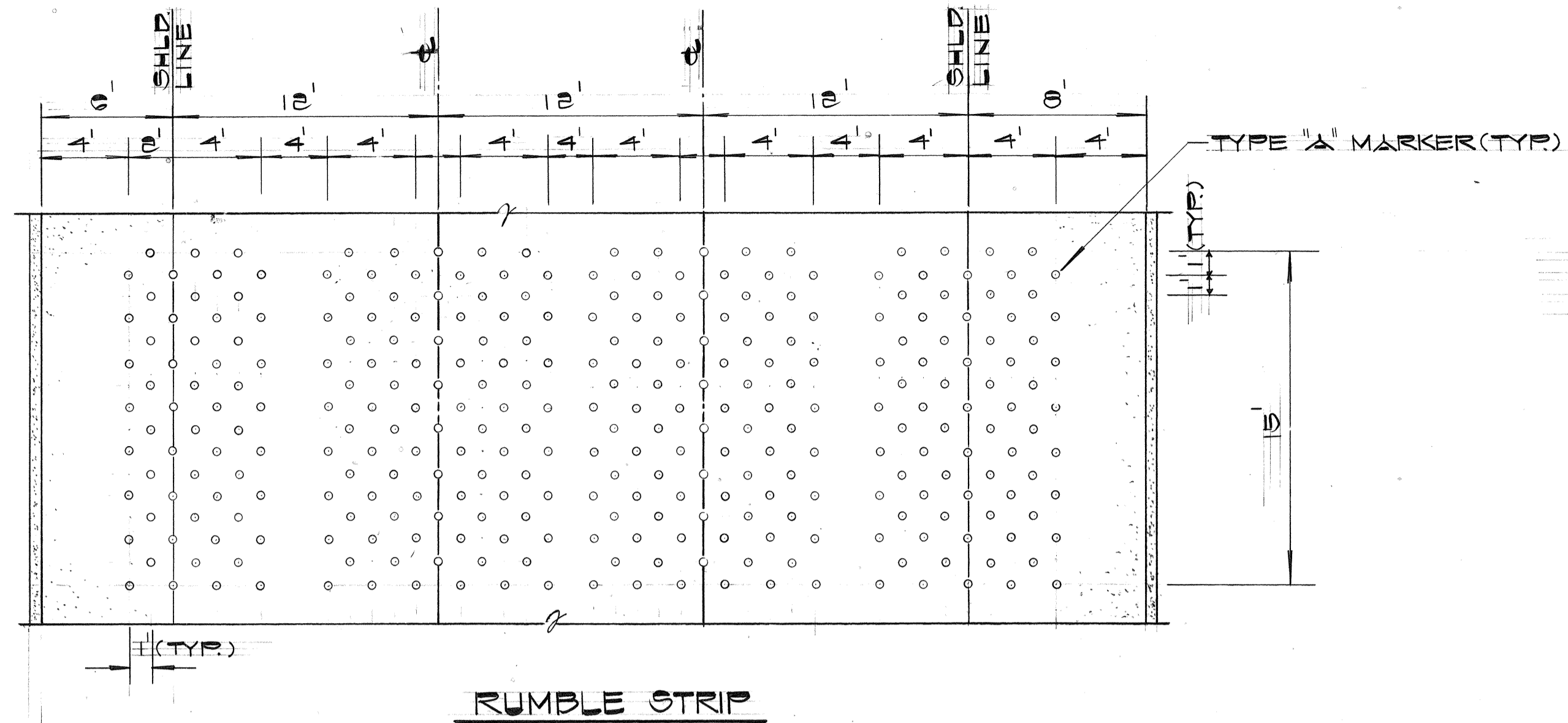
SIGN PANELS & SIGN FRAME LAYOUT

AIRPORT INTERCHANGE
F.A.I. PROJECT NO. I-HI-1(175)-16
SCALE: 3/8" = 1' DATE: SEPT, 1982
SHEET NO. 2 OF 2 SHEETS

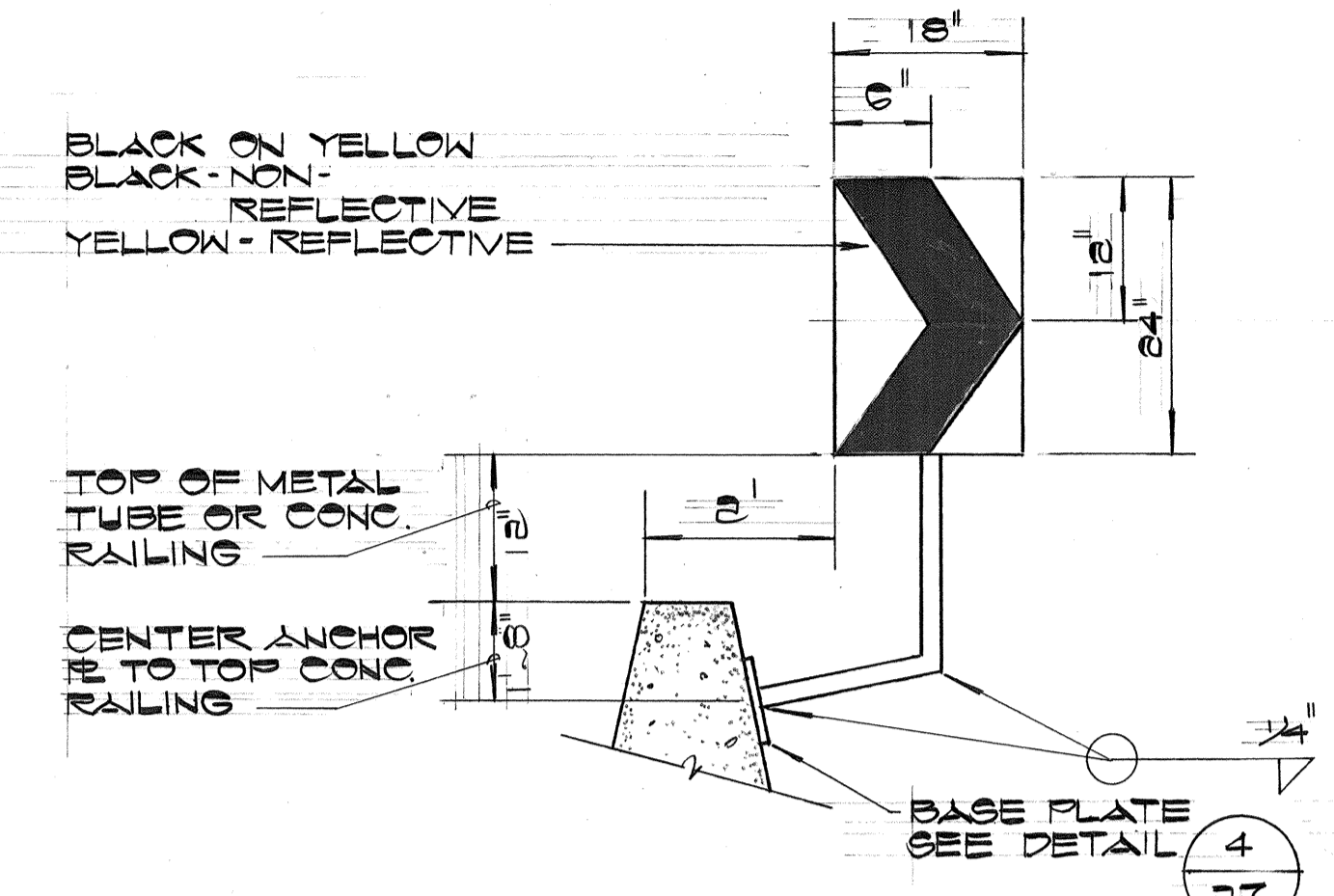
ORIGINAL PLAN NO. _____
DATE _____
SURVEY PLOTTED BY _____
DRAWN BY _____
DESIGNED BY _____
NOTE BOOK NO. _____
QUANTITIES BY _____
CHECKED BY _____

C.C.O. #0

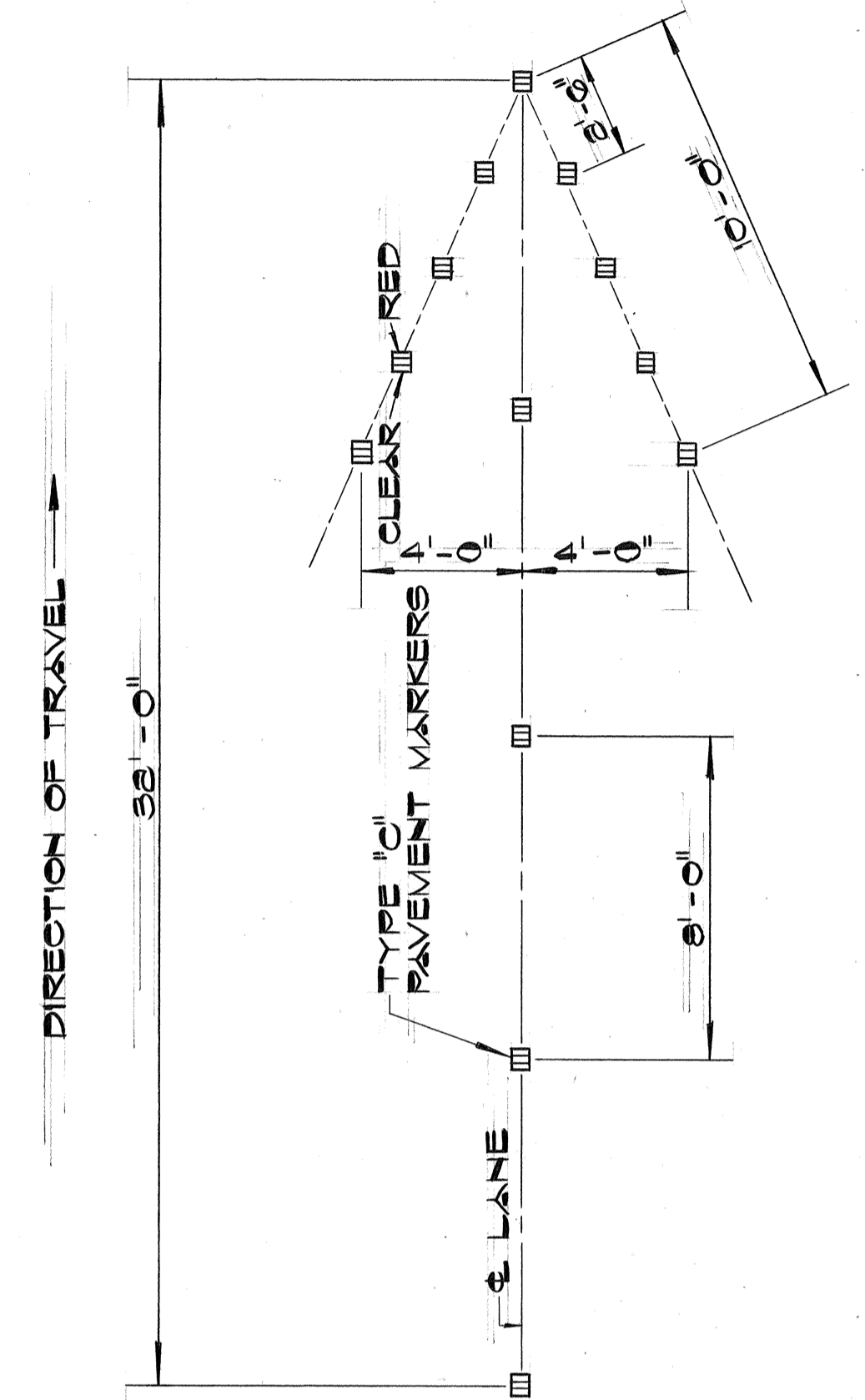
FED. ROAD DIST. NO.	STATE	FED. AID PROJ. NO.	FISCAL YEAR	SHEET NO.	TOTAL SHEETS
HAWAII	HAW.	I-HI-1(175):16	1983	27	191



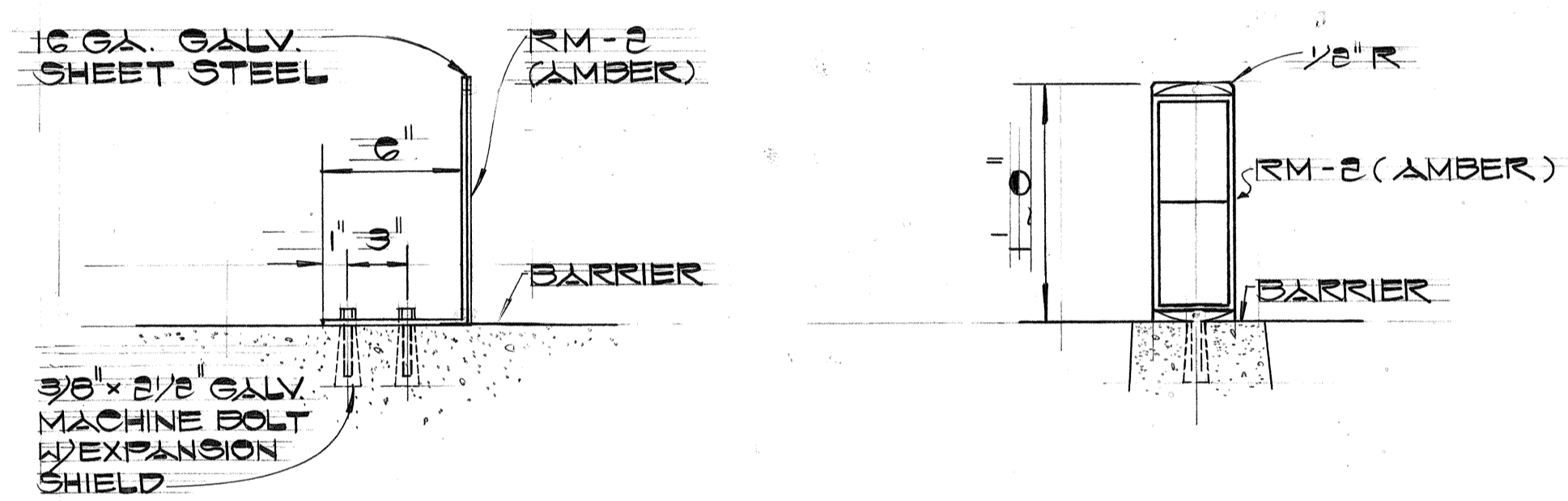
RUMBLE STRIP
DETAIL 1
 NO SCALE (27)



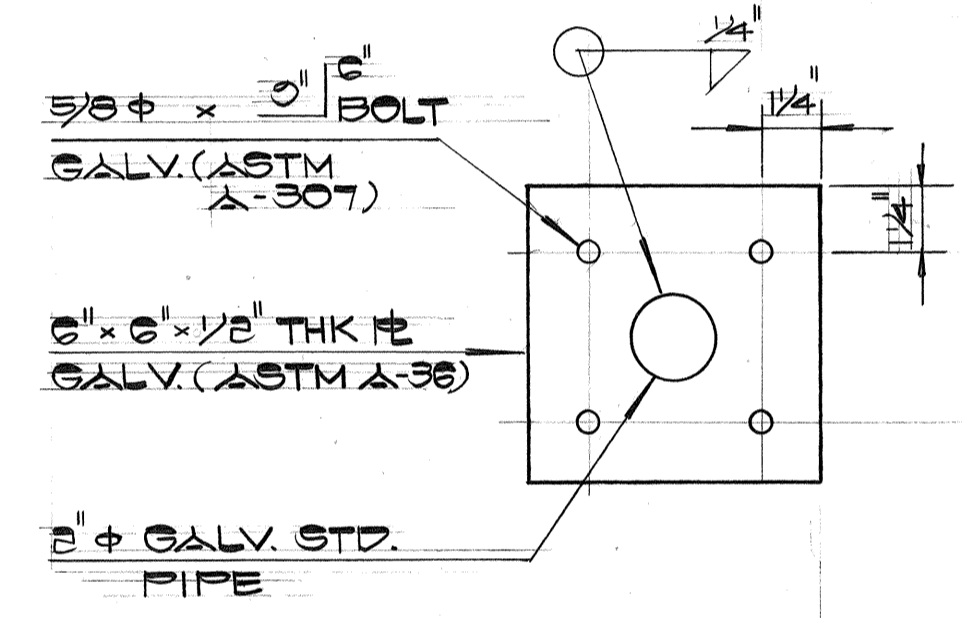
SIGN W-1-B
 NO SCALE (27)



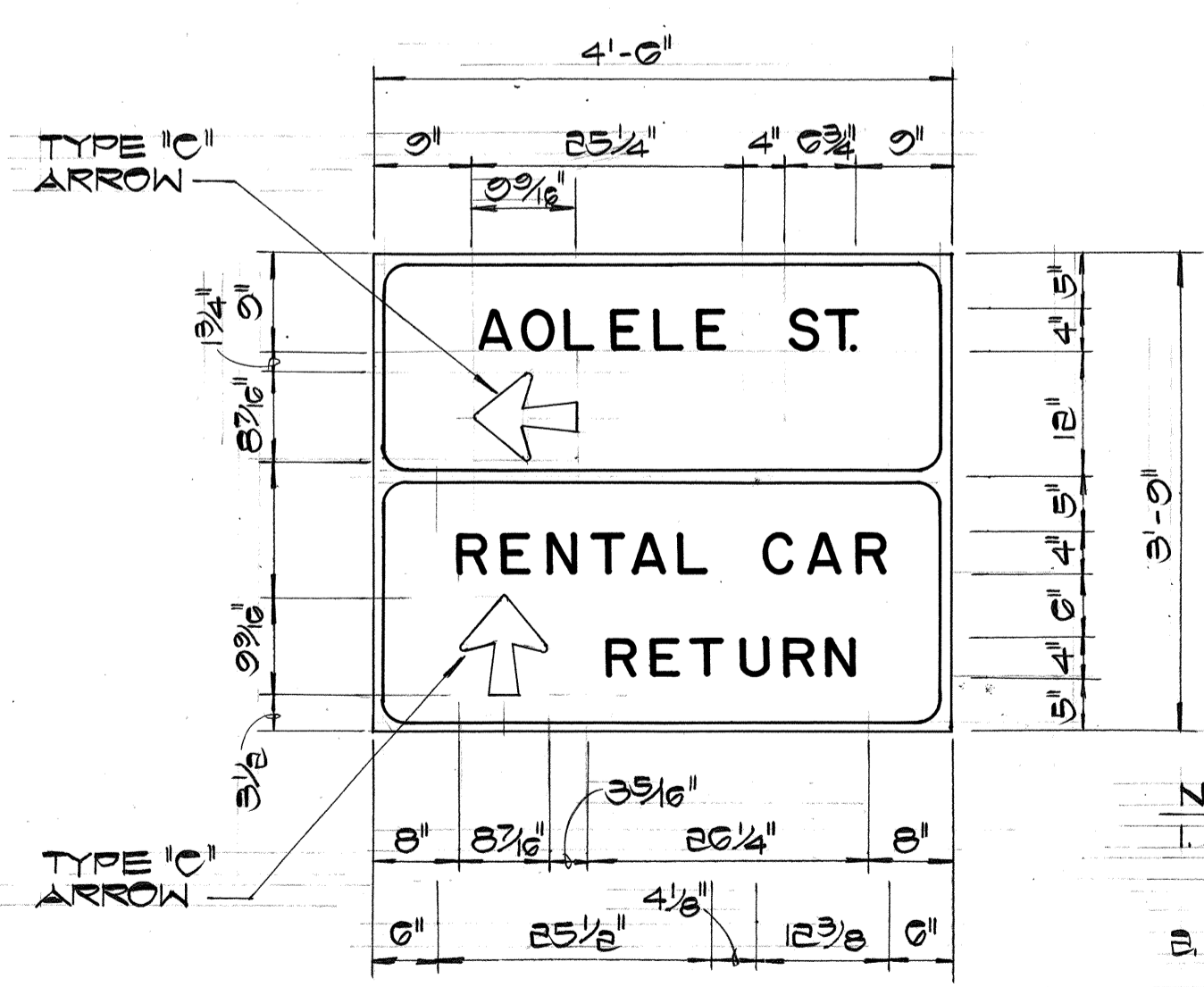
RAMP ARROW DETAIL
 NO SCALE



BARRIER MOUNTED DELINEATOR
 NO SCALE (27)

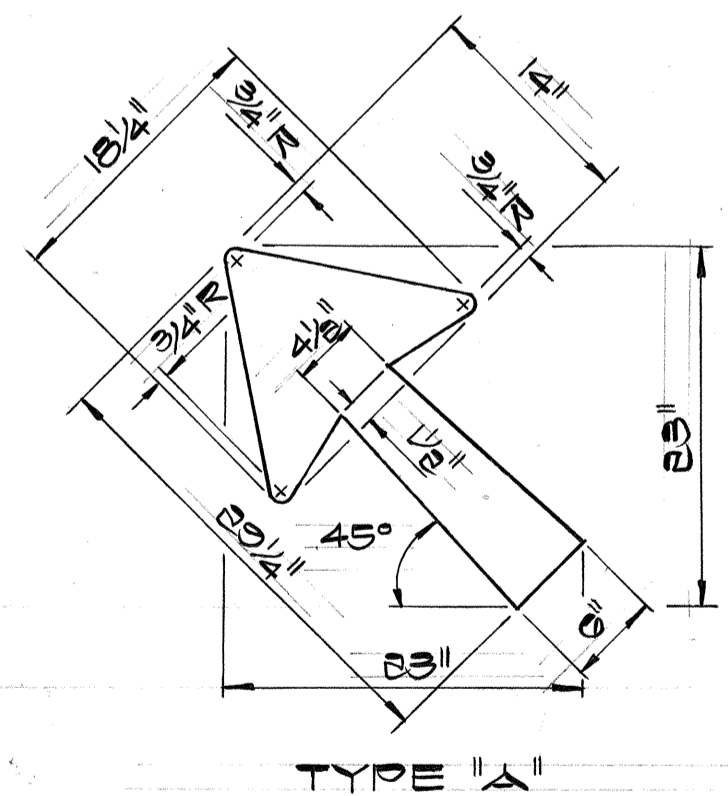


BASE PLATE 4
 NO SCALE (27)

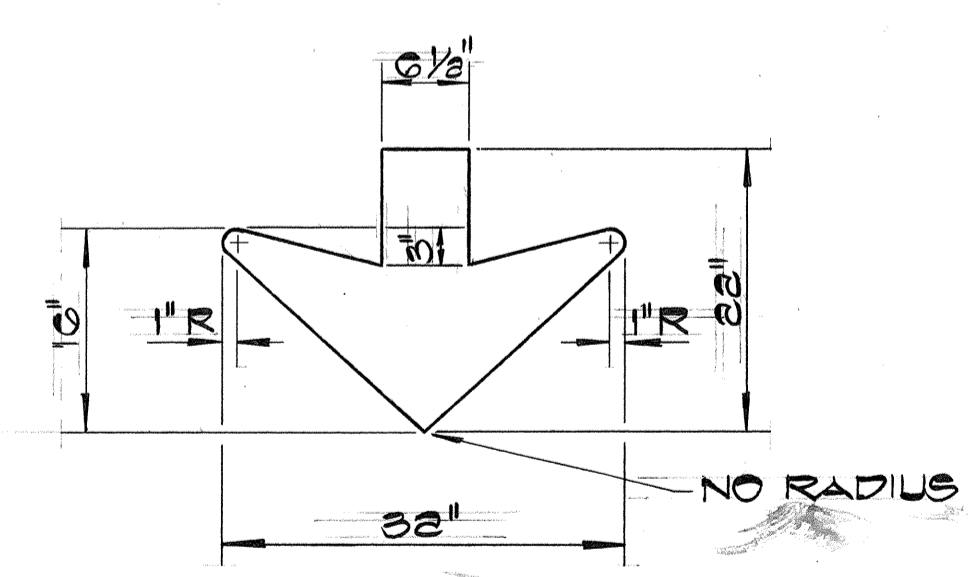


SIGN D-1
 ROAD "A"

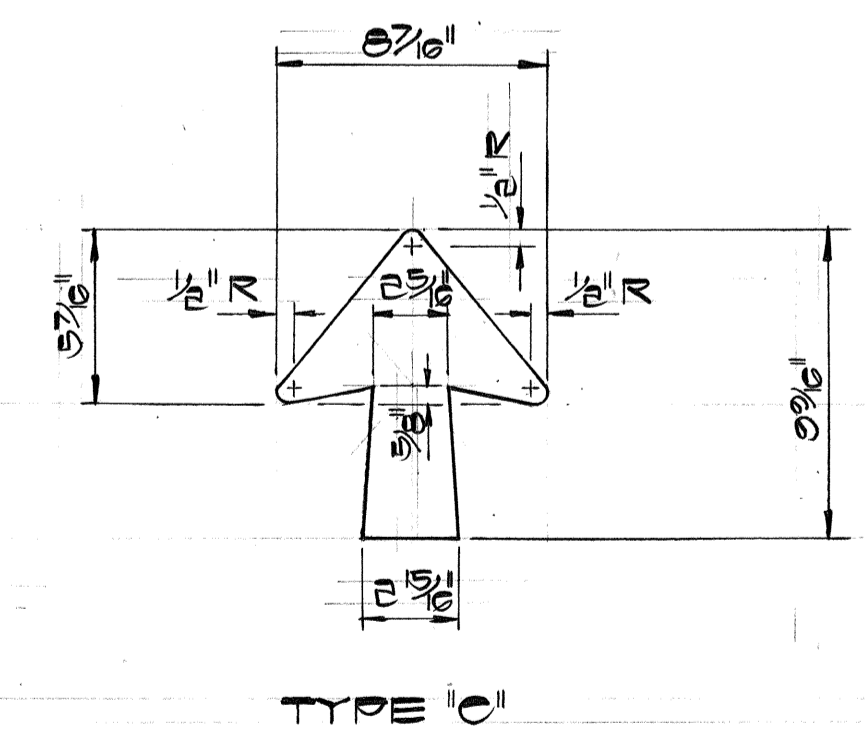
- NOTES:**
1. DESTINATION SIGN (D) SHALL HAVE WHITE REFLECTIVE LETTERS AND BORDER ON GREEN REFLECTIVE SHEETING BACKGROUND.
 2. PROVIDE INSULATION BETWEEN DISSIMILAR METALS.



TYPE "A"

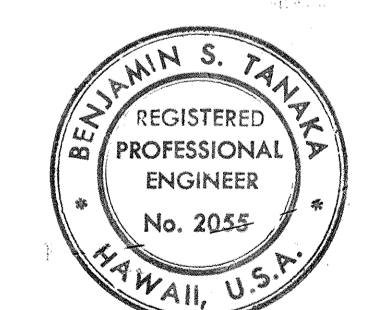


TYPE "B"
ARROW DETAILS
 NO SCALE



TYPE "C"

ORIGINAL PLAN	SURVEY PLOTTED BY	DATE
NOTE BOOK	DRAWN BY	
No.	DESIGNED BY	
	QUANTITIES BY	
	CHECKED BY	



Benjamin S. Tanaka
 THIS WORK WAS PREPARED BY ME OR UNDER MY SUPERVISION.

STATE OF HAWAII
 DEPARTMENT OF TRANSPORTATION
 HIGHWAYS DIVISION

SIGNING DETAILS

AIRPORT INTERCHANGE
 F.A.I. PROJECT NO. I-HI-1(175):16

SCALE: AS SHOWN DATE: SEPT, 1982

SHEET No. OF SHEETS