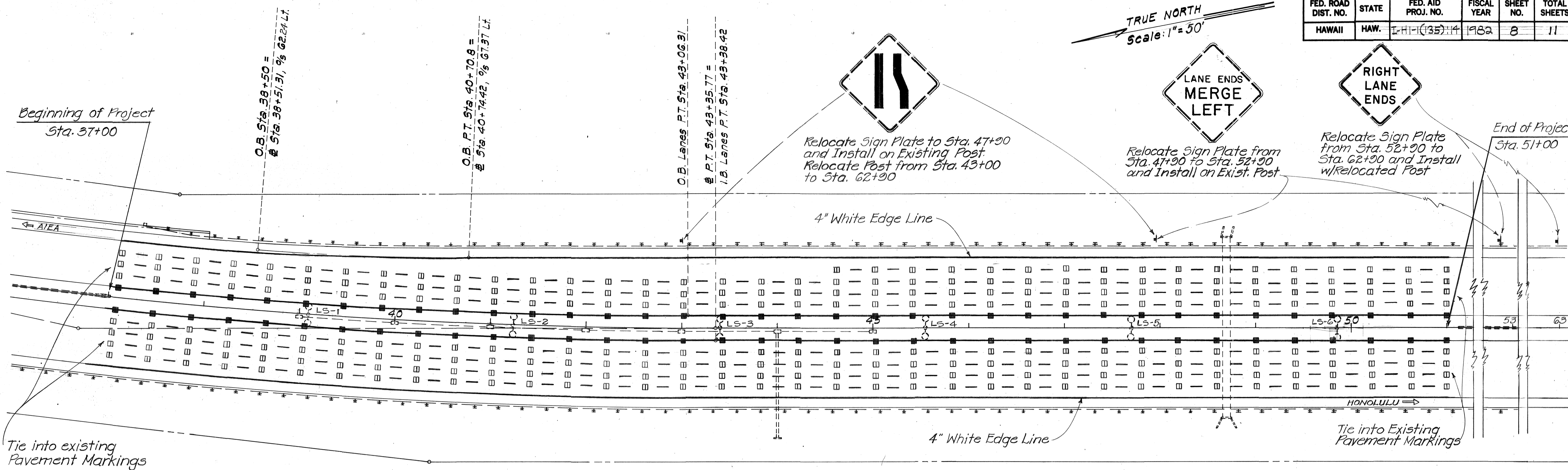


FED. ROAD DIST. NO.	STATE	FED. AID PROJ. NO.	FISCAL YEAR	SHEET NO.	TOTAL SHEETS
HAWAII	HAW.	I-HI-1(135)14	1982	8	11



LEGEND

- Freeway Lane Line (Type "A" & "C")
 "C"
 4 each "A"
- 4" Yellow Line w/Type "H" Pavement Markers @ 40' o.c.
- Existing Highway Light Standard
 LS-1

ESTIMATED QUANTITIES				
RAISED PAVEMENT MARKERS				
		TYPE "A"	TYPE "C"	TYPE "H"
	INBOUND	560 Each	144 Each	36 Each
OUTBOUND	484 Each	125 Each	36 Each	
TOTAL	1044 Each	269 Each	72 Each	

GENERAL NOTES:

1. All Signing and Pavement Markings to be in accordance with these Plans & Specifications & latest FHWA publication, "Manual on Uniform Traffic Control Devices for Streets & Highways".
2. Locations of all new Pavement Markings shall be staked out in the field by the Contractor for approval by the Engineer prior to installation.
3. Existing Pavement Markings not incorporated in the final traffic pattern shall be removed as directed by the Engineer. Costs shall be incidental to the various contract items.

DATE	_____
DESIGNED BY	_____
CHECKED BY	_____
QUANTITIES BY	_____
TRACED BY	_____
PLANNED BY	_____
NO.	_____

STATE OF HAWAII
DEPARTMENT OF TRANSPORTATION
LAND TRANSPORTATION FACILITIES DIVISION

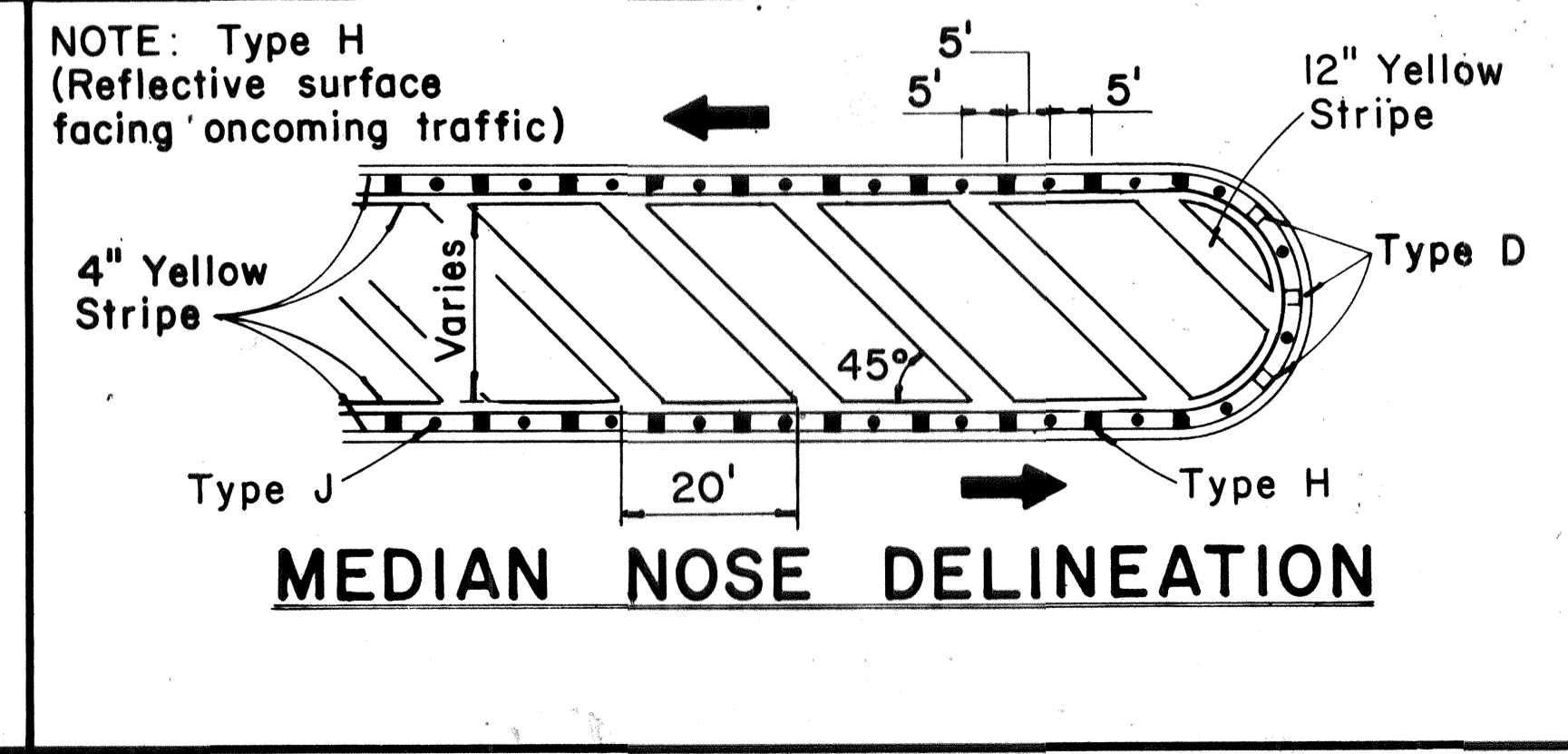
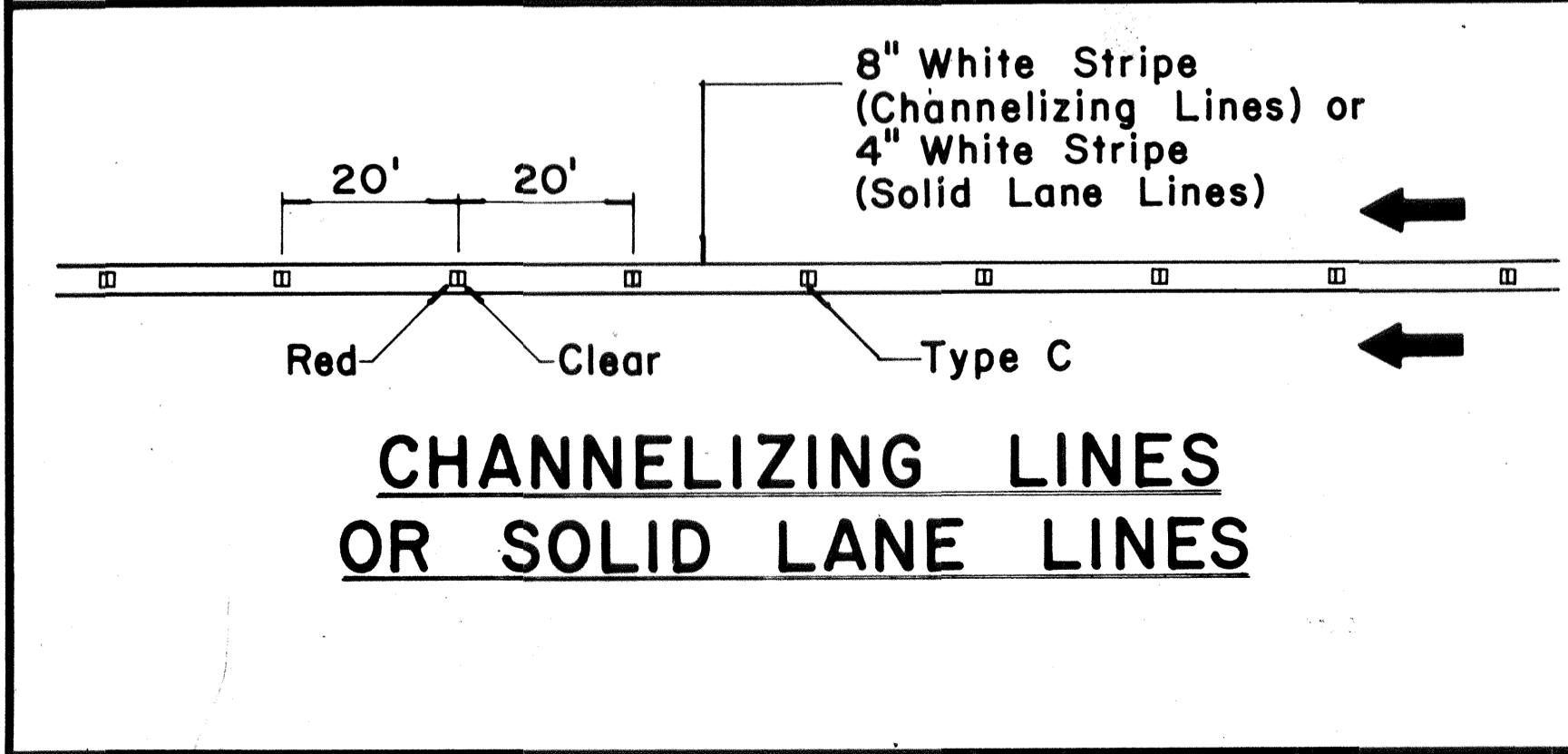
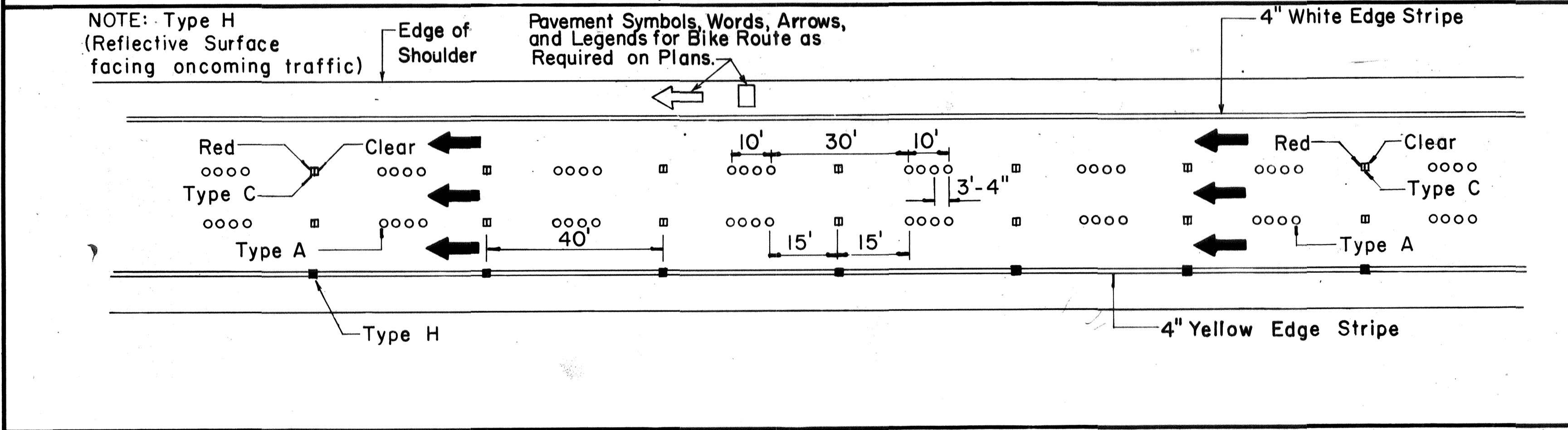
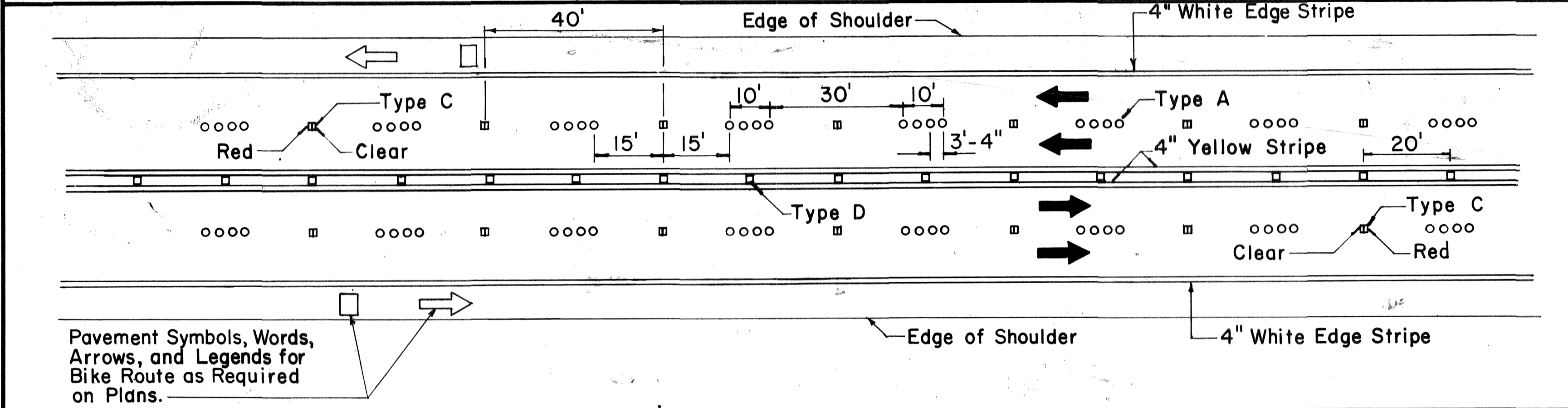
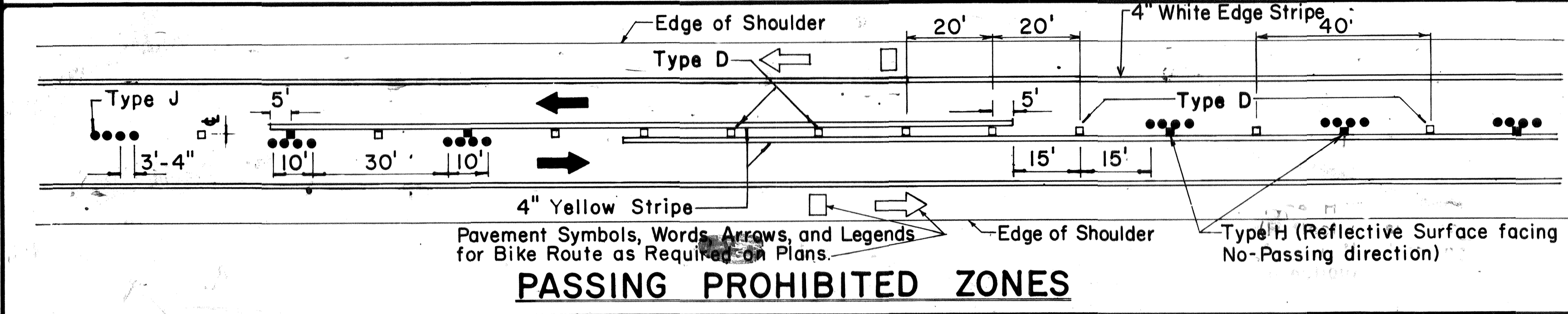
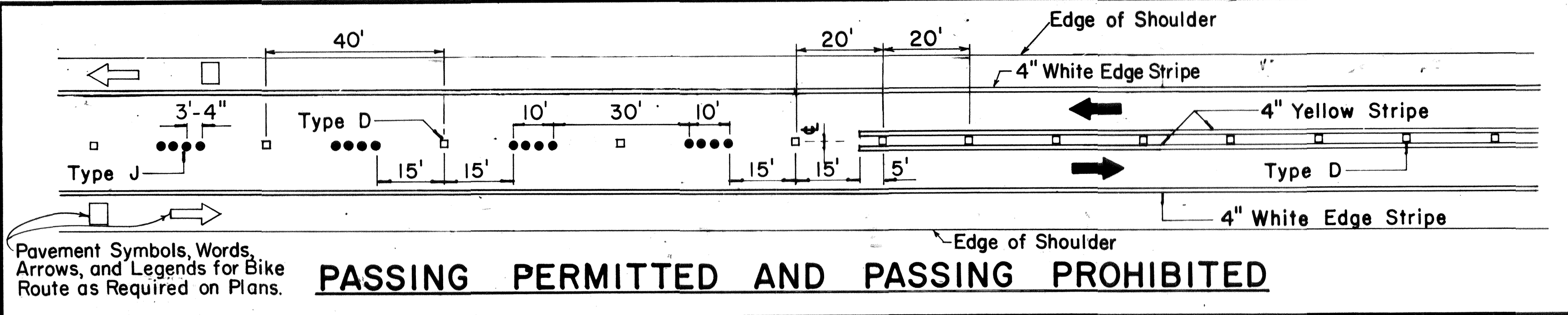
SIGNING & PAVEMENT MARKING

INTERSTATE ROUTE H-1
F.A.I. PROJ. NO. I-HI-1(135)14

Scale: 1"=50' Date: Sept, 1981

SHEET NO. 1 OF 4 SHEETS

FED. ROAD DIST. NO.	STATE	FED. AID PROJ. NO.	FISCAL YEAR	SHEET NO.	TOTAL SHEETS
HAWAII	HAW.	1-11-(135) 14	1982	11	11

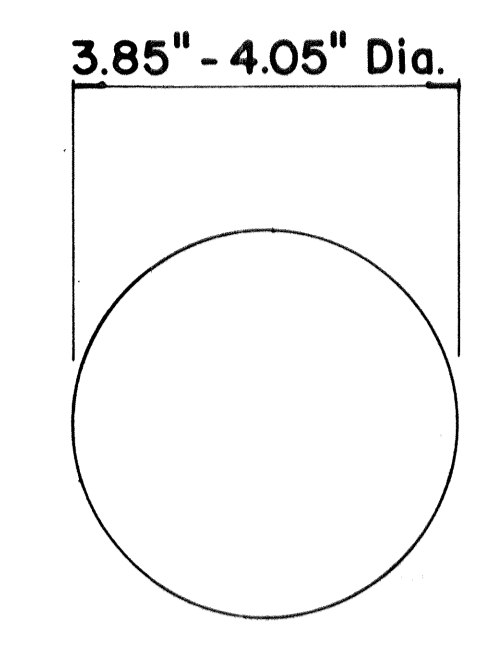


TWO - LANE

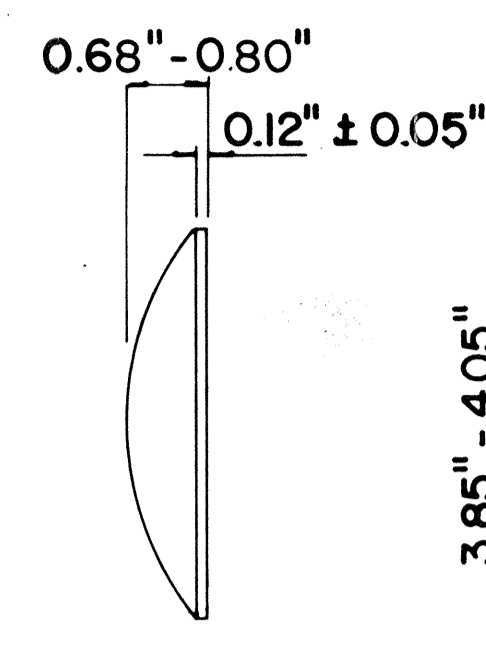
MULTI - LANE

DIVIDED HIGHWAY AND FREEWAY

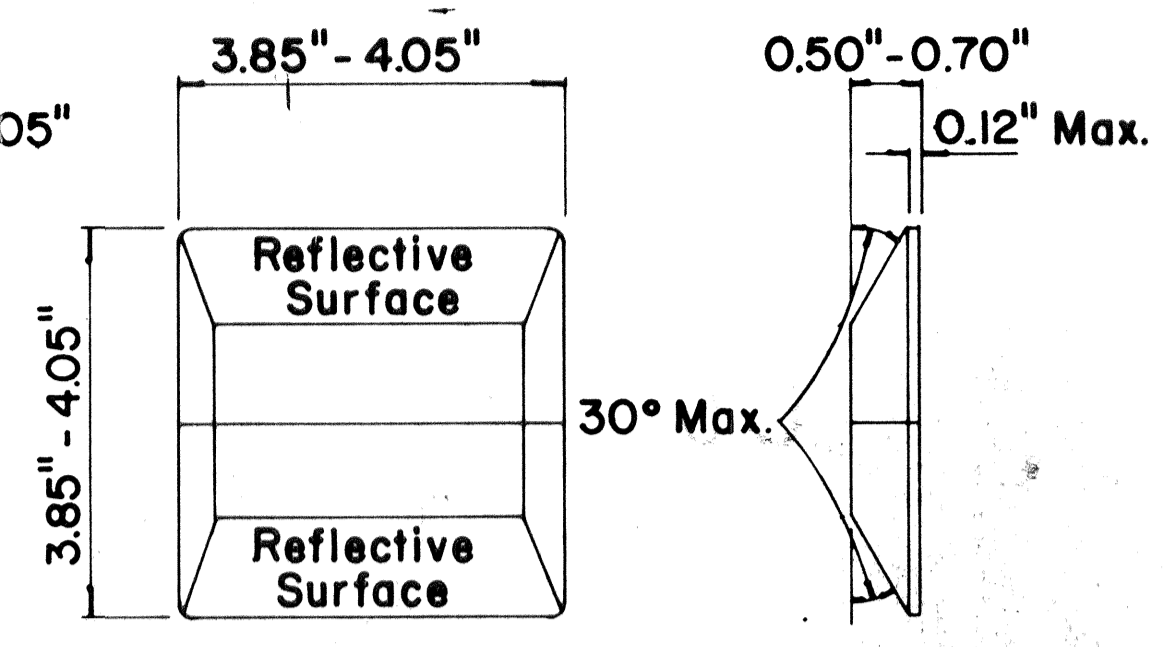
MISCELLANEOUS



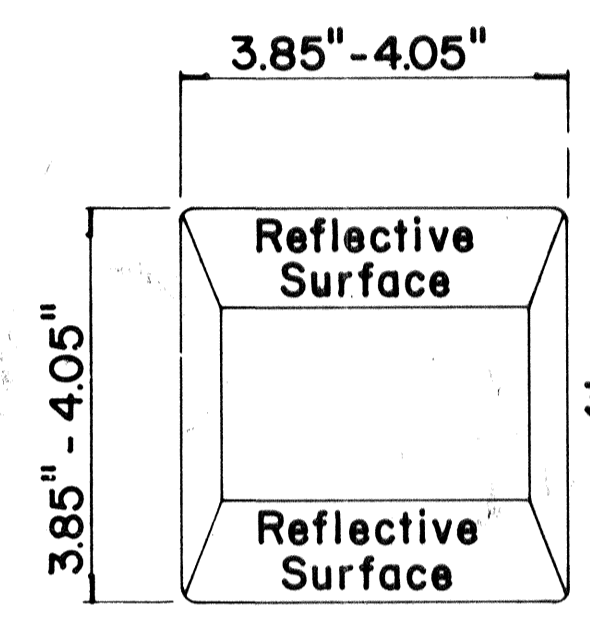
TYPE A
NON-REFLECTIVE WHITE MARKER



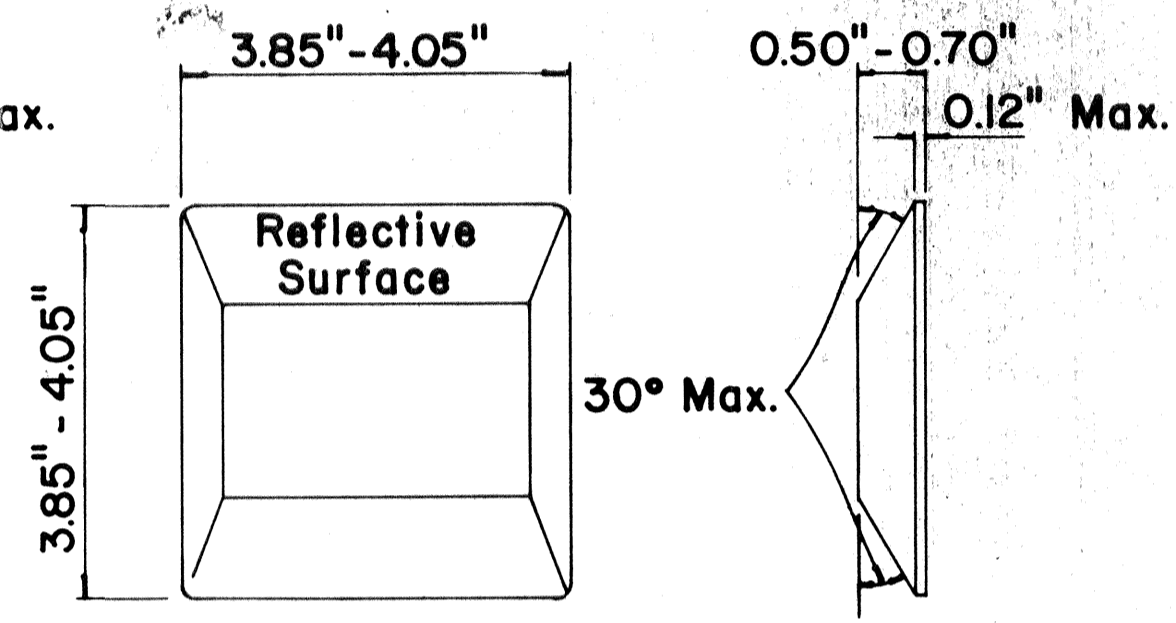
TYPE J
NON-REFLECTIVE YELLOW MARKER



TYPE C
RED-CLEAR REFLECTIVE MARKER



TYPE D
TWO-WAY YELLOW REFLECTIVE MARKER



TYPE H
ONE-WAY YELLOW REFLECTIVE MARKER

GENERAL NOTES

- Pavement marking and striping shall conform to the latest "Manual on Uniform Traffic Control Devices for Streets and Highways," and as amended.
- Layout and installation of pavement marking and striping shall be done by the Contractor. The Contractor shall check the layouts with the Engineer prior to performing work.

LEGEND

- Type A
- Type C
- ▣ Type D
- Type H
- Type J

APPROVAL RECOMMENDED:
Eisaki Tanaka 7/21/78
 TRAFFIC ENGINEER DATE

APPROVED:
Harold S. Zelenka 1/24/78
 ASSISTANT CHIEF, ENGINEERING DATE

No.	REVISION	APPROVED BY	DATE
1	Supersedes DT 300 approved 11/18/71.	H.T.	1/24/78
2	Delete Type A Markers from Bike Route Delineation.	H.T.	10/15/79

STATE OF HAWAII
 DEPARTMENT OF TRANSPORTATION
 HIGHWAYS DIVISION

STANDARD DETAILS
RAISED PAVEMENT MARKERS
AND STRIPING

Not to Scale July 1978
 SHEET No. 4 OF 4 SHEETS DT 300

SURVEY PLOTTED BY: _____ DATE: _____
 DRAWN BY: _____
 CHECKED BY: _____
 NOTE BOOK NO. _____