

FED. ROAD DIST. NO.	STATE	FED. AID PROJ. NO.	FISCAL YEAR	SHEET NO.	TOTAL SHEETS
HAWAII	HAW.	I-HI-1(96):13	1981	72	112

True North  
Scale: 1"=50'

INSTALL  
UNLICENSED VEHICLES, BICYCLES, CYCLES UNDER 5 H.P., PEDESTRIANS KEEP OUT FREEWAY  
R16-5

INSTALL  
W11-2

INSTALL  
W11-2a

CHANNELIZING ISLANDS FOR DETAILS SEE PLAN SHTS #94 & 95

4" WHITE EDGE LINE

INSTALL  
W4-3

REMOVE EXIST. 'MERGE' SIGN.

R16-5  
UNLICENSED VEHICLES, BICYCLES, CYCLES UNDER 5 H.P., PEDESTRIANS KEEP OUT FREEWAY

DO NOT ENTER  
R5-1

INSTALL

INSTALL  
W4-3

REMOVE 'YIELD' SIGN

INSTALL  
R9-3a  
USE CROSSWALK  
R9-3b(L)

4" WHITE EDGE LINE

KAHUAPAANI STREET

4" WHITE EDGE LINE

4" WHITE EDGE LINE  
4" YELLOW LINE

INSTALL  
W11-2

INSTALL  
W11-2

INSTALL  
W11-2a

INSTALL  
R9-3a  
USE CROSSWALK  
R9-3b(R)

4" WHITE EDGE LINE

MOANALUA FREEWAY

4" YELLOW LINES

4" WHITE EDGE LINES

4" WHITE GUIDE LINES

4" WHITE EDGE LINES

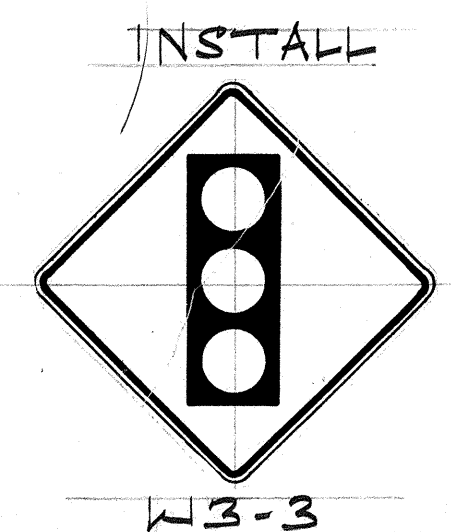
REMOVE CROSSWALK & STOP LINE

DATE	.....
SURVEY PLOTTED BY	.....
DRAWN BY	.....
TRACED BY	.....
DESIGNED BY	.....
CHECKED BY	.....
NOTE BOOK NO.	.....
.....	.....

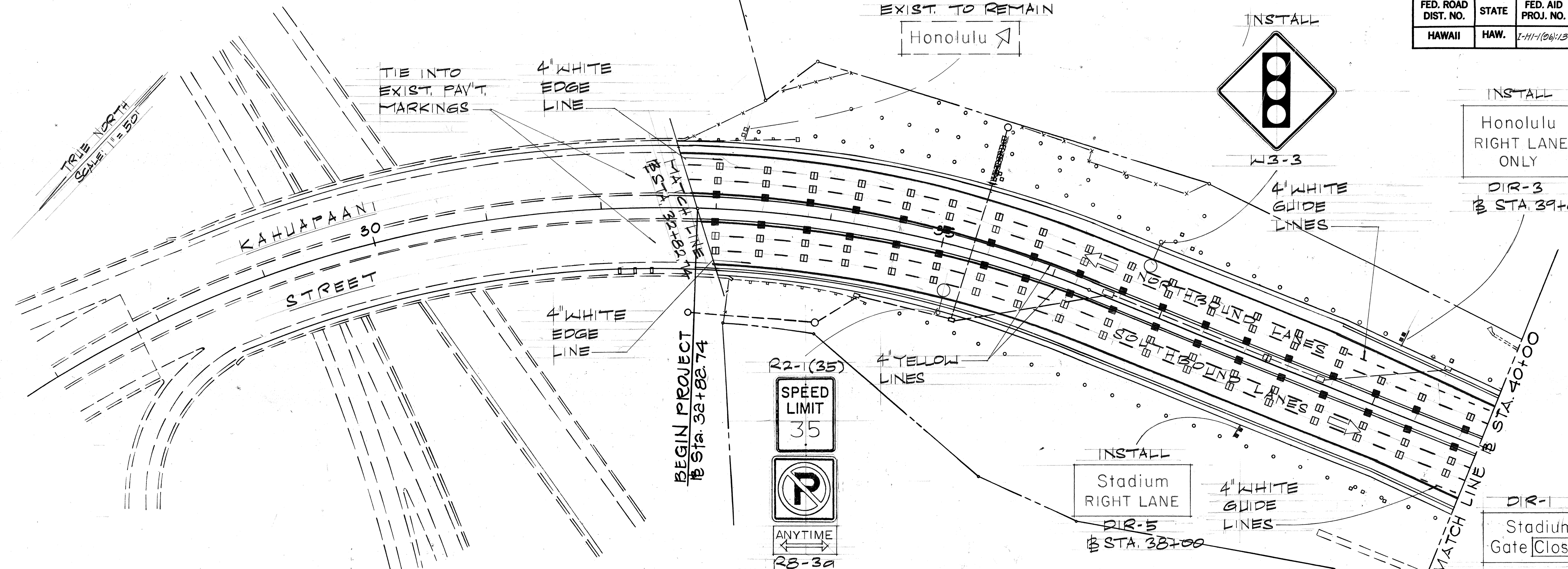
STATE OF HAWAII  
DEPARTMENT OF TRANSPORTATION  
LAND TRANSPORTATION FACILITIES DIVISION  
**SIGNING & PAVEMENT MARKINGS**  
INTERSTATE ROUTE H-1  
HALAWA INTERCHANGE  
KAHUAPAANI STREET  
P.A.I. PROJ. No. I-HI-1(96):13  
SCALE: AS SHOWN DATE: APR, 1981  
SHEET No. 1 OF 6 SHEETS

FED. ROAD DIST. NO.	STATE	FED. AID PROJ. NO.	FISCAL YEAR	SHEET NO.	TOTAL SHEETS
HAWAII	HAW.	I-HI-1(96)13	1981	73	112

EXIST. TO REMAIN  
Honolulu



INSTALL  
Honolulu  
RIGHT LANE ONLY  
DIR-3  
PT. STA. 39+00



R2-1(35)  
SPEED LIMIT 35  
R2-1(35)  
ANYTIME  
R2-3a  
INSTALL

INSTALL  
Stadium  
RIGHT LANE  
DIR-5  
PT. STA. 38+00

DIR-1  
Stadium  
Gate Closed

Stadium  
Gate Open  
DIR-1a

INSTALL  
R2-3a  
ANYTIME

INSTALL  
Honolulu  
DIR-2  
PT. STA. 44+50

INSTALL  
SPEED LIMIT 35  
R2-1(35)

INSTALL  
R1-9

INSTALL  
NO TURNS  
R3-3

INSTALL  
R2-3a  
ANYTIME

4\"/>

INSTALL  
R2-3a  
ANYTIME

INSTALL  
NO TURNS  
R3-3

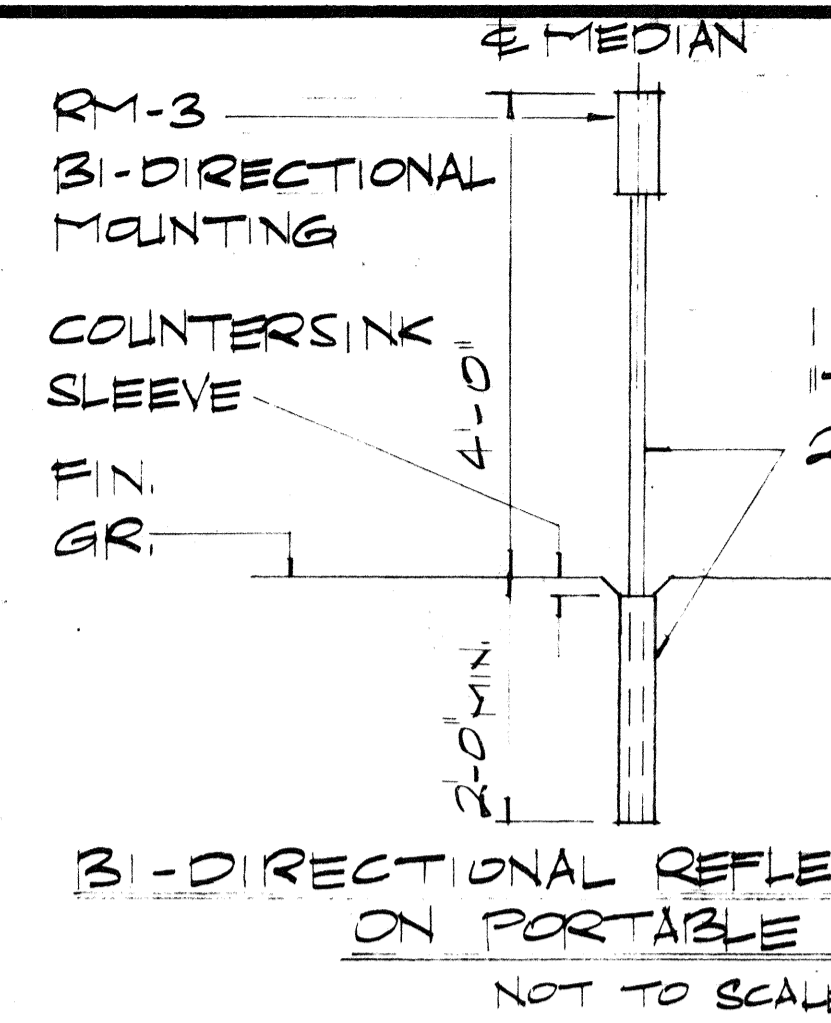
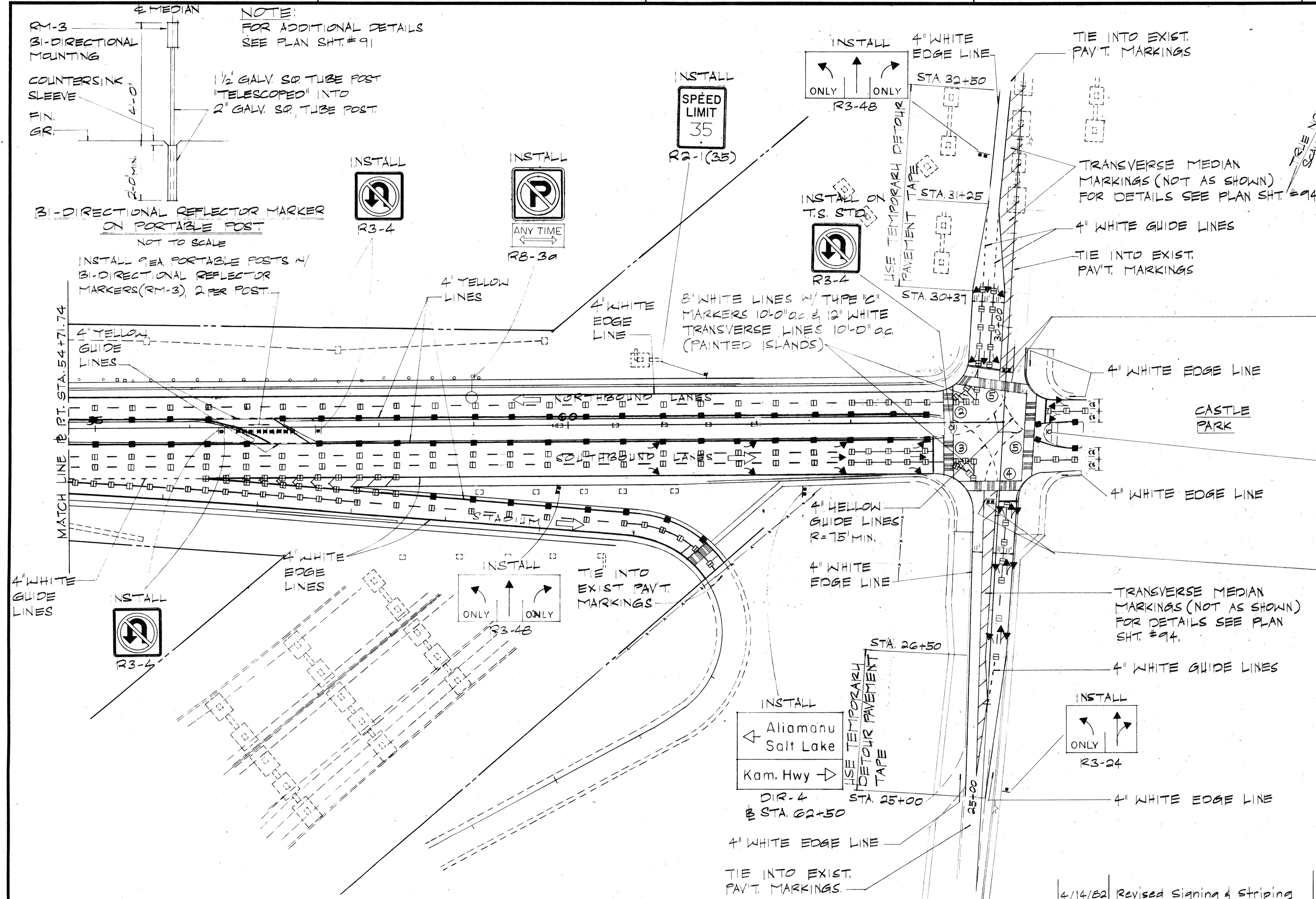
INSTALL  
ONLY  
R3-54

STATE OF HAWAII  
DEPARTMENT OF TRANSPORTATION  
HIGHWAYS DIVISION  
**SIGNING & PAVEMENT MARKINGS**  
INTERSTATE ROUTE H-1  
HALAWA INTERCHANGE  
KAHUPAPAANI STREET  
F.A.I. PROJ. NO. I-HI-1(96)13  
SCALE: AS SHOWN DATE: APR, 1981  
SHEET NO. 2 OF 6 SHEETS

DATE: \_\_\_\_\_  
SURVEY PLOTTED BY: \_\_\_\_\_  
ORIGINAL PLAN DRAWN BY: \_\_\_\_\_  
NOTE BOOK DESIGNED BY: \_\_\_\_\_  
QUANTITIES BY: \_\_\_\_\_  
CHECKED BY: \_\_\_\_\_

FED. ROAD DIST. NO.	STATE	FED. AID PROJ. NO.	FISCAL YEAR	SHEET NO.	TOTAL SHEETS
HAWAII	HAW.	I-HI-1(96)-13	1981	74	112

NOTE:  
FOR ADDITIONAL DETAILS  
SEE PLAN SHT. #91



INSTALL 9 EA. PORTABLE POSTS W/  
BI-DIRECTIONAL REFLECTOR  
MARKERS (R1-3), 2 PER POST.

INSTALL 9 EA. PORTABLE POSTS W/  
BI-DIRECTIONAL REFLECTOR  
MARKERS (R1-3), 2 PER POST.

INSTALL 9 EA. PORTABLE POSTS W/  
BI-DIRECTIONAL REFLECTOR  
MARKERS (R1-3), 2 PER POST.

INSTALL 9 EA. PORTABLE POSTS W/  
BI-DIRECTIONAL REFLECTOR  
MARKERS (R1-3), 2 PER POST.

INSTALL 9 EA. PORTABLE POSTS W/  
BI-DIRECTIONAL REFLECTOR  
MARKERS (R1-3), 2 PER POST.

INSTALL 9 EA. PORTABLE POSTS W/  
BI-DIRECTIONAL REFLECTOR  
MARKERS (R1-3), 2 PER POST.

INSTALL 9 EA. PORTABLE POSTS W/  
BI-DIRECTIONAL REFLECTOR  
MARKERS (R1-3), 2 PER POST.

INSTALL 9 EA. PORTABLE POSTS W/  
BI-DIRECTIONAL REFLECTOR  
MARKERS (R1-3), 2 PER POST.

INSTALL 9 EA. PORTABLE POSTS W/  
BI-DIRECTIONAL REFLECTOR  
MARKERS (R1-3), 2 PER POST.

INSTALL 9 EA. PORTABLE POSTS W/  
BI-DIRECTIONAL REFLECTOR  
MARKERS (R1-3), 2 PER POST.

INSTALL 9 EA. PORTABLE POSTS W/  
BI-DIRECTIONAL REFLECTOR  
MARKERS (R1-3), 2 PER POST.

INSTALL 9 EA. PORTABLE POSTS W/  
BI-DIRECTIONAL REFLECTOR  
MARKERS (R1-3), 2 PER POST.

INSTALL 9 EA. PORTABLE POSTS W/  
BI-DIRECTIONAL REFLECTOR  
MARKERS (R1-3), 2 PER POST.

INSTALL 9 EA. PORTABLE POSTS W/  
BI-DIRECTIONAL REFLECTOR  
MARKERS (R1-3), 2 PER POST.

INSTALL 9 EA. PORTABLE POSTS W/  
BI-DIRECTIONAL REFLECTOR  
MARKERS (R1-3), 2 PER POST.

INSTALL 9 EA. PORTABLE POSTS W/  
BI-DIRECTIONAL REFLECTOR  
MARKERS (R1-3), 2 PER POST.

INSTALL 9 EA. PORTABLE POSTS W/  
BI-DIRECTIONAL REFLECTOR  
MARKERS (R1-3), 2 PER POST.

INSTALL 9 EA. PORTABLE POSTS W/  
BI-DIRECTIONAL REFLECTOR  
MARKERS (R1-3), 2 PER POST.

INSTALL 9 EA. PORTABLE POSTS W/  
BI-DIRECTIONAL REFLECTOR  
MARKERS (R1-3), 2 PER POST.

INSTALL 9 EA. PORTABLE POSTS W/  
BI-DIRECTIONAL REFLECTOR  
MARKERS (R1-3), 2 PER POST.

INSTALL 9 EA. PORTABLE POSTS W/  
BI-DIRECTIONAL REFLECTOR  
MARKERS (R1-3), 2 PER POST.

INSTALL 9 EA. PORTABLE POSTS W/  
BI-DIRECTIONAL REFLECTOR  
MARKERS (R1-3), 2 PER POST.

INSTALL 9 EA. PORTABLE POSTS W/  
BI-DIRECTIONAL REFLECTOR  
MARKERS (R1-3), 2 PER POST.

INSTALL 9 EA. PORTABLE POSTS W/  
BI-DIRECTIONAL REFLECTOR  
MARKERS (R1-3), 2 PER POST.

INSTALL 9 EA. PORTABLE POSTS W/  
BI-DIRECTIONAL REFLECTOR  
MARKERS (R1-3), 2 PER POST.

INSTALL 9 EA. PORTABLE POSTS W/  
BI-DIRECTIONAL REFLECTOR  
MARKERS (R1-3), 2 PER POST.

INSTALL 9 EA. PORTABLE POSTS W/  
BI-DIRECTIONAL REFLECTOR  
MARKERS (R1-3), 2 PER POST.

INSTALL 9 EA. PORTABLE POSTS W/  
BI-DIRECTIONAL REFLECTOR  
MARKERS (R1-3), 2 PER POST.

SURVEY PLOTTED BY	DATE
DESIGNED BY	
TRACED BY	
NOTE BOOK	
DESIGNED BY	
QUANTITIES BY	
CHECKED BY	
No.	

DATE	REVISION
4/14/82	Revised Signing & Striping
5/29/81	Revised Dimension and Note on Detail titled "BI-DIRECTIONAL REFLECTOR MARKER ON PORTABLE POST" per Addendum No. 2.

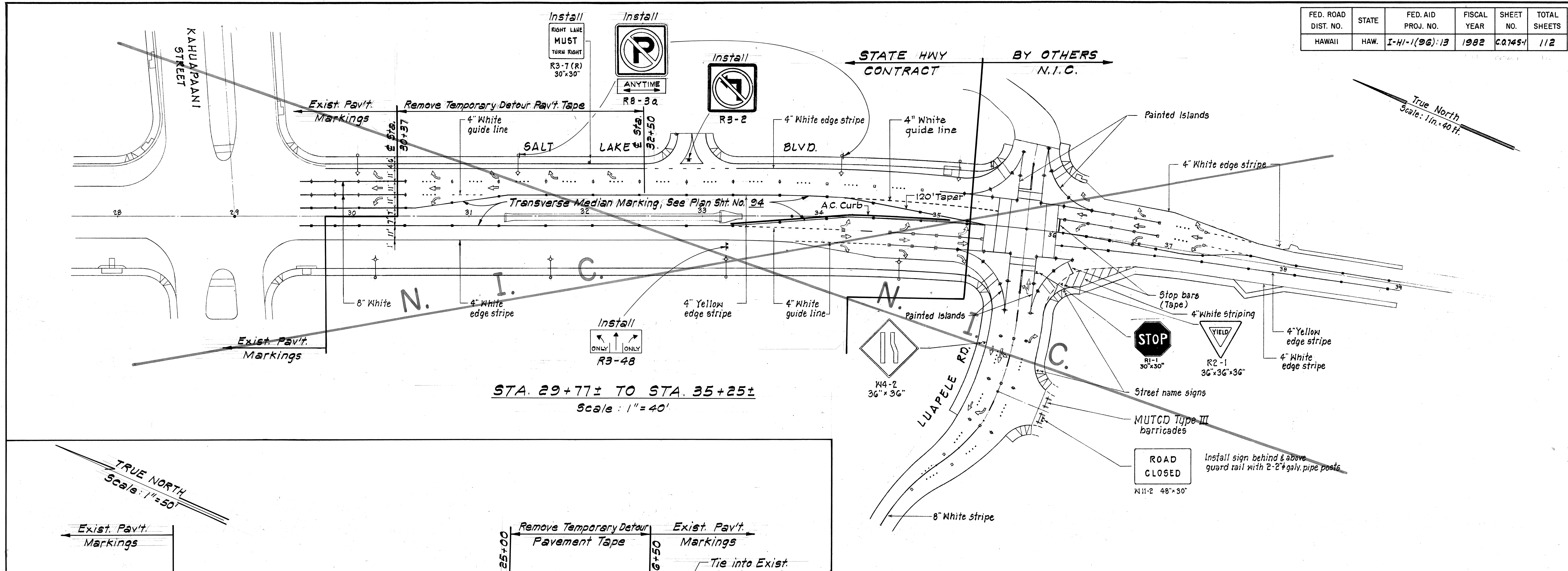
STATE OF HAWAII  
DEPARTMENT OF TRANSPORTATION  
HIGHWAYS DIVISION

**SIGNING & PAVEMENT MARKINGS**

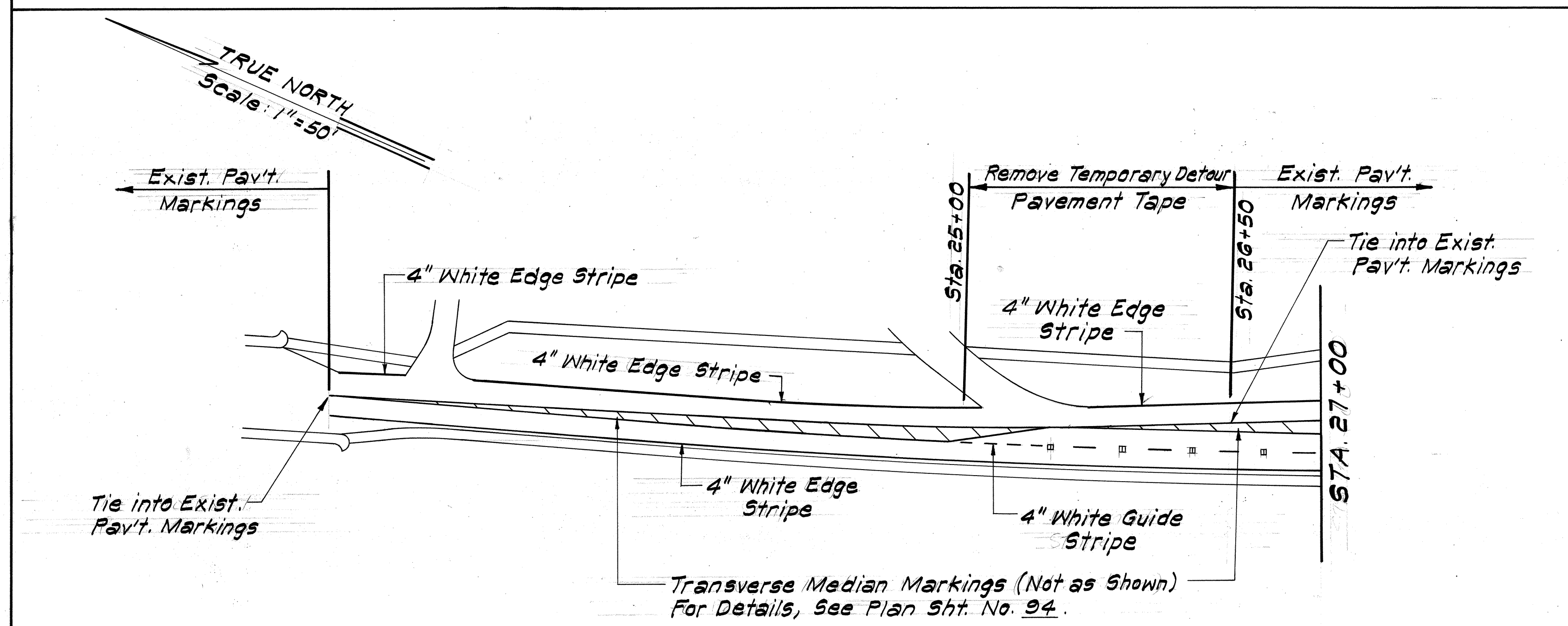
INTERSTATE ROUTE --1  
HALAWA INTERCHANGE  
KAHALAPAANI STREET  
FAI PROJ. No I-HI-(96)-13  
SCALE: AS SHOWN DATE: APR. 1981  
SHEET NO. 3 OF 6 SHEETS

C.O. 74R

FED. ROAD DIST. NO.	STATE	FED. AID PROJ. NO.	FISCAL YEAR	SHEET NO.	TOTAL SHEETS
HAWAII	HAW.	I-HI-1(96):13	1982	C.O.745-1	112



STA. 29+77± TO STA. 35+25±  
Scale: 1" = 40'



STA. 21+50 TO STA. 26+50  
Scale: 1" = 50'

8-27-82	Added A.C. Curbing & revised striping.
DATE	REVISION

STATE OF HAWAII  
DEPARTMENT OF TRANSPORTATION  
HIGHWAYS DIVISION  
**SIGNING & PAVEMENT MARKINGS**  
INTERSTATE ROUTE HI  
HALAWA INTERCHANGE  
KAHUAAPANI STREET  
F.A.I. Proj. No. I-HI-1(96):13  
Scale: As Shown Date: May, 1982  
SHEET NO. 3A OF 6 SHEETS

C.O.745-1R

FED. ROAD DIST. NO.	STATE	FED. AID PROJ. NO.	FISCAL YEAR	SHEET NO.	TOTAL SHEETS
HAWAII	HAW.	I-HI-1(00):13	1981	75	112

### TRAFFIC SIGN SUMMARY

TYPE	DESCRIPTION	QUANTITY	
		w/POST	w/o POST
R2-35	SPEED LIMIT 35	1	2
R3-3	NO TURNS	2	2
R3-4	NO U TURN (SYMBOL)	2	4
R3-8a	NO PARKING (SYMBOL), ANYTIME		5
R3-48	ONLY ↑ ONLY	2	
R3-54	ONLY ↑↑ ONLY	1	
R5-1	DO NOT ENTER		1
R9-3a	NO PEDESTRIANS (SYMBOL)	2	
R9-3b(L)	USE CROSSWALK ←		1
R9-3b(R)	USE CROSSWALK →		1
R16-5	KEEP OUT FREEWAY	1	1
R17-3	ON LEFT ARROW ONLY, NO U TURN	2	2
W3-3			1
W4-3			2
W11-2a	PEDESTRIAN CROSSING (SYMBOL)		2
W11-2	PEDESTRIAN CROSSING w/CROSSWALK (SYMBOL)	4	
RM-9		2	
RM-3	PORTABLE REFLECTOR MARKER (BI-DIRECTIONAL)	9	
R3-24	ONLY ↑	1	

**NOTE**

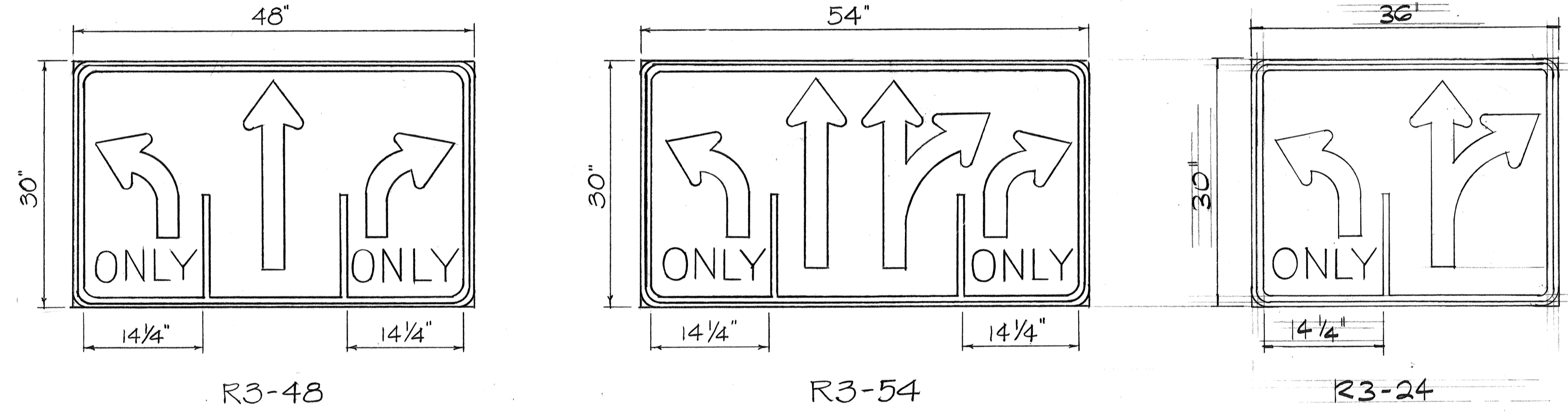
ALL EXISTING SIGNS BETWEEN STA. 32+82.74 & END OF PROJECT SHALL BE REMOVED UNLESS OTHERWISE NOTED.

### LEGEND

- 4 EA. TYPE "A" RAISED PAVEMENT MARKERS
- TYPE "C" RAISED PAVEMENT MARKER
- TYPE "D" RAISED PAVEMENT MARKER (SEE GEN. NOTES #4)
- TYPE "H" RAISED PAVEMENT MARKER
- 4" DOUBLE YELLOW STRIPE w/TYPE "D" RAISED PAVEMENT MARKERS 20'-0" O.C.
- 4" YELLOW STRIPE w/TYPE "H" RAISED PAVEMENT MARKERS 40'-0" O.C.
- 8" WHITE MARKING TAPE w/TYPE "C" RAISED PAVEMENT MARKERS 20'-0" O.C. (GORE STRIPING SHALL BE PAINTED)
- CROSSWALK & STOP LINE (ALL STOP LINES 10'-0" FROM CROSSWALK UNLESS OTHERWISE NOTED). USE MARKING TAPE FOR ALL CROSSWALKS & STOP LINES.
- PAVEMENT ARROW
- 4" GUIDE LINES (COLOR AS SHOWN ON PLANS)
- SIGN MOUNTED ON EXISTING HIGHWAY LT. STD.
- SIGN MOUNTED ON NEW HIGHWAY LT. STD.
- SIGN MOUNTED ON SQUARE TUBE POST

### GENERAL NOTES

1. LOCATIONS OF ALL NEW PAVEMENT MARKINGS SHALL BE STAKED OUT BY THE CONTRACTOR FOR APPROVAL BY THE ENGINEER PRIOR TO INSTALLATION.
2. EXISTING PAVEMENT MARKINGS NOT INCORPORATED IN THE FINAL TRAFFIC PATTERN SHALL BE REMOVED AS DIRECTED BY THE ENGINEER.
3. RAISED PAVEMENT MARKERS SHALL NOT BE PLACED WITHIN CROSSWALKS.
4. TYPE "D" RAISED PAVEMENT MARKERS ARE REQUIRED FOR TRANSVERSE MEDIAN MARKINGS ON SALT LAKE BLVD.



### MISCELLANEOUS SIGNS

SCALE: 1"=1'

**\* NOTE**

1. SIGNS R3-48 & R3-54 SHALL CONFORM TO PLANS & SPECIFICATIONS FOR REGULATORY SIGNS.
2. SIGN R3-48 & R3-54 ARE VARIATIONS OF SIGN R3-8. EXCEPT WHERE NOTED PLATE & ARROW DETAILS SHALL CONFORM TO SIGN R3-8.

\* Include sign R3-24 in notes.

### PAVEMENT MARKING SUMMARY

DESCRIPTION	QUANTITY
TYPE "A" RAISED PAVEMENT MARKERS	1,100 EACH
TYPE "C" RAISED PAVEMENT MARKERS	464 "
TYPE "D" RAISED PAVEMENT MARKERS	50 "
TYPE "H" RAISED PAVEMENT MARKERS	164 "
PAVEMENT STRIPING (PAINT)	23,640 LIN. FT.
PAVEMENT STRIPING (MARKING TAPE)	1,420 " "
CROSSWALK MARKING (MARKING TAPE)	40 LANES
PAVEMENT ARROWS	24 EACH

DATE	_____
DESIGNED BY	_____
CHECKED BY	_____
DESIGNED BY	_____
CHECKED BY	_____
DESIGNED BY	_____
CHECKED BY	_____
DESIGNED BY	_____
CHECKED BY	_____

4/14/82	Added sign R3-24 & revised Sign Summary
DATE	REVISION

STATE OF HAWAII  
DEPARTMENT OF TRANSPORTATION  
LAND TRANSPORTATION FACILITIES DIVISION

MISCELLANEOUS DETAILS

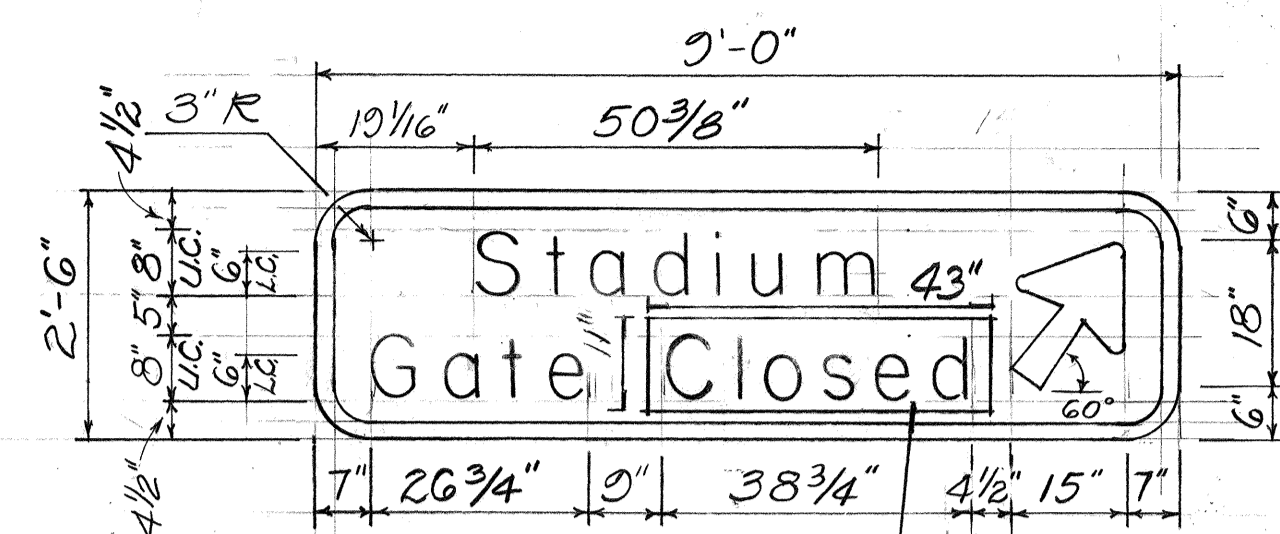
INTERSTATE ROUTE H-1  
HALAWA INTERCHANGE  
KAHUAPAANI STREET

F.A.I. PROJ. NO. I-HI-1(00):13

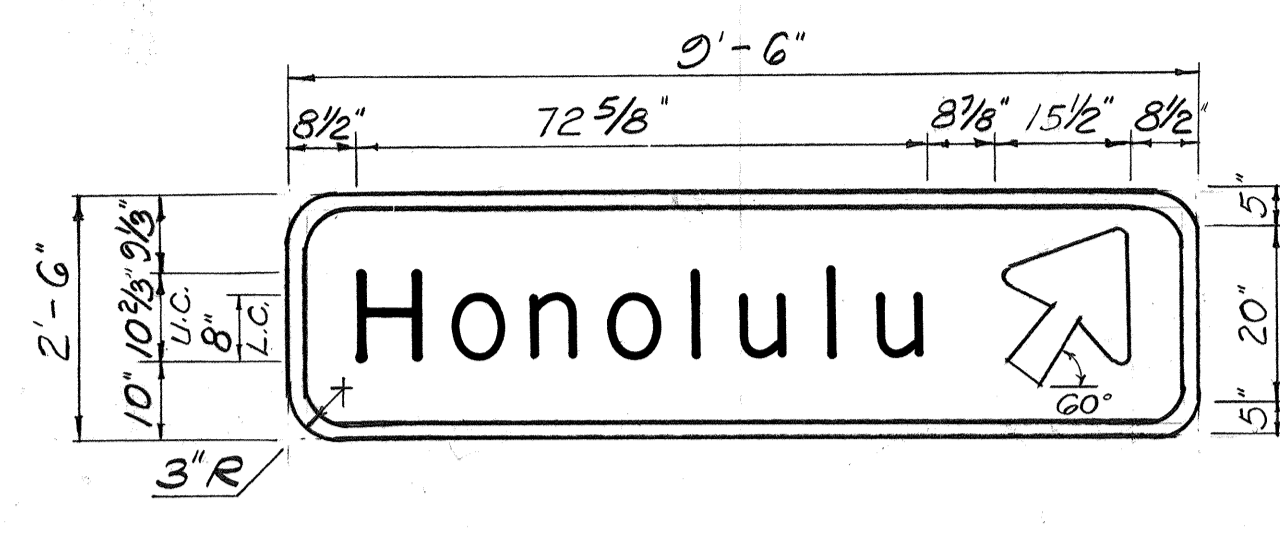
SCALE: AS SHOWN      DATE: APRIL, 1981

**SHEET No. 4 OF 6 SHEETS**

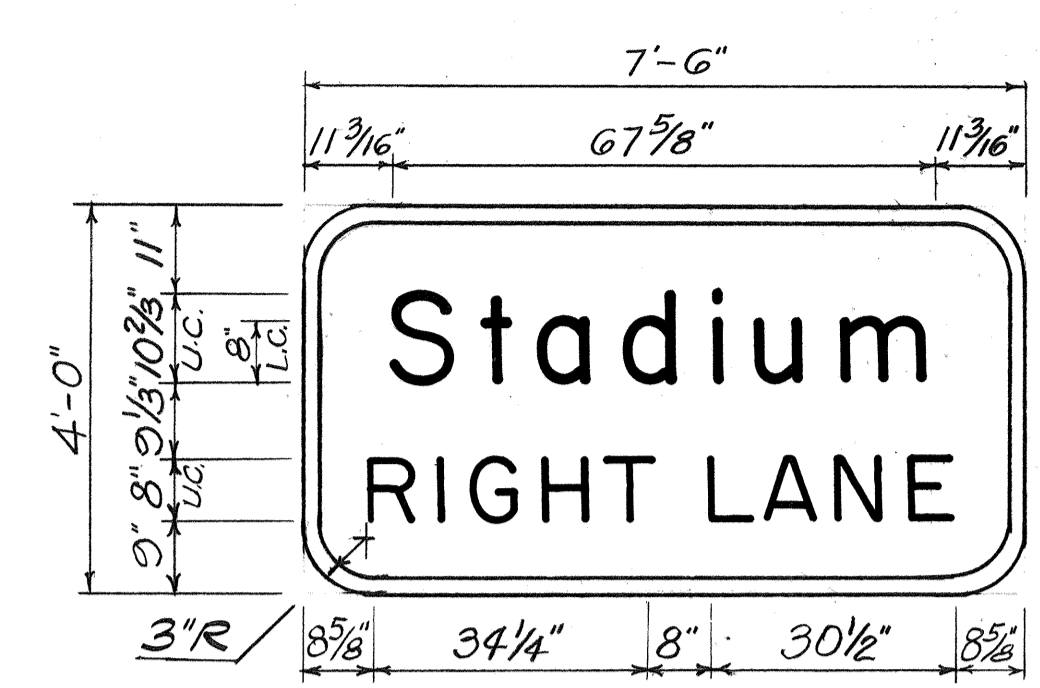
FED. ROAD DIST. NO.	STATE	FED. AID PROJ. NO.	FISCAL YEAR	SHEET NO.	TOTAL SHEETS
HAWAII	HAW.	I-HI-1(20):13	1981	76	112



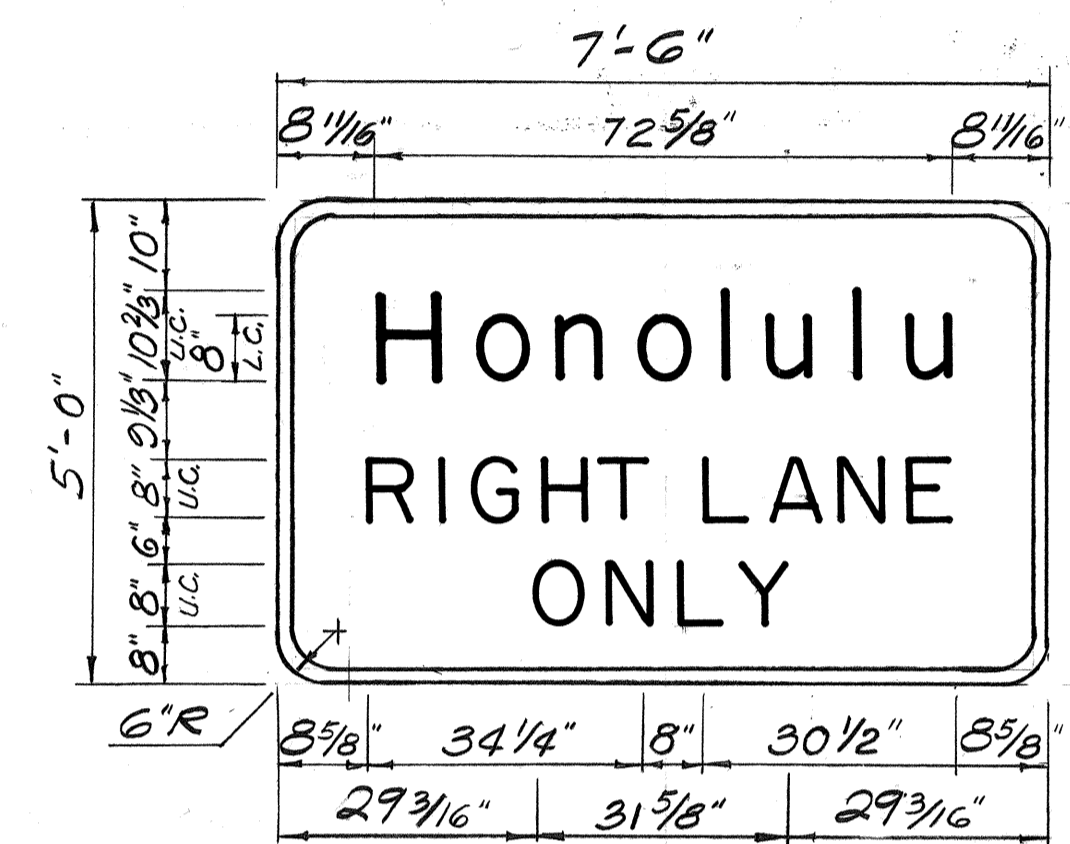
**DIR-1**  
(INTERCHANGEABLE SIGN PANEL)



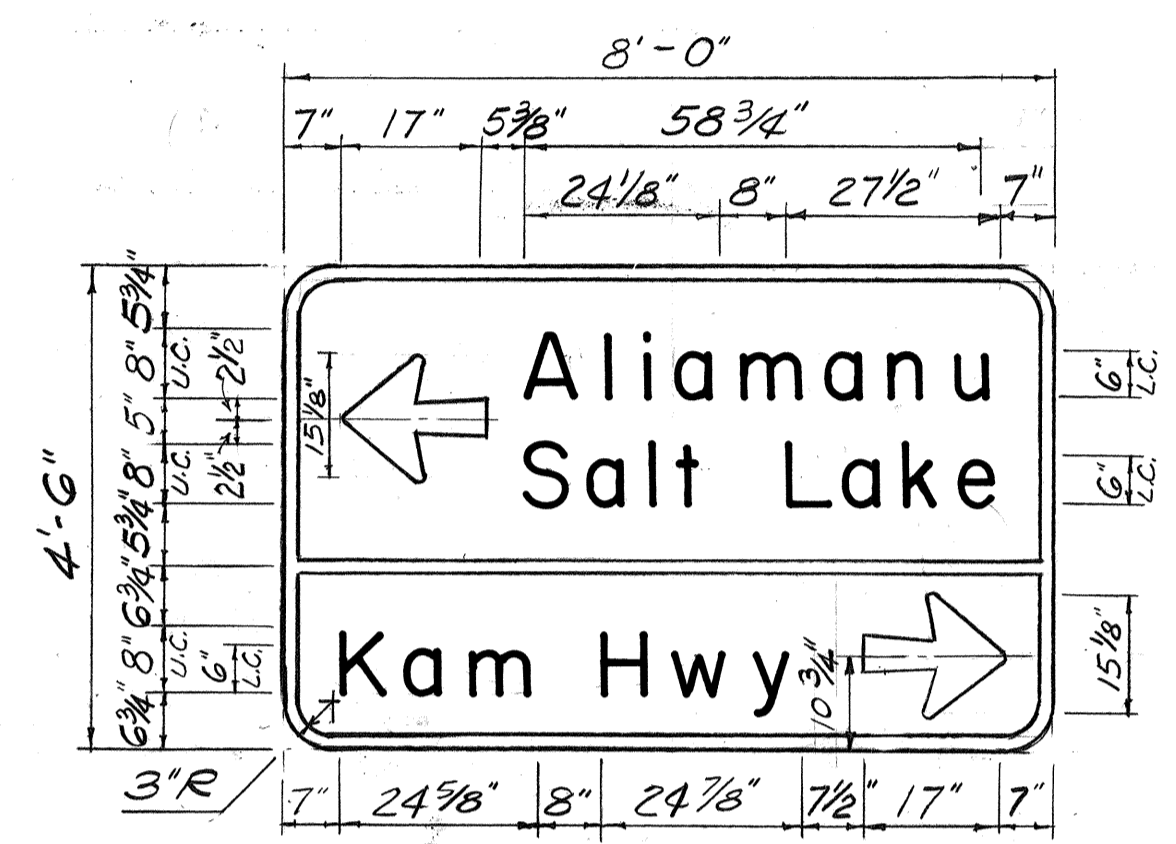
**DIR-2**



**DIR-5**



**DIR-3**



**DIR-4**

**NOTE**  
1. All Borders shall be 2".  
2. Trim off area outside corner radius.

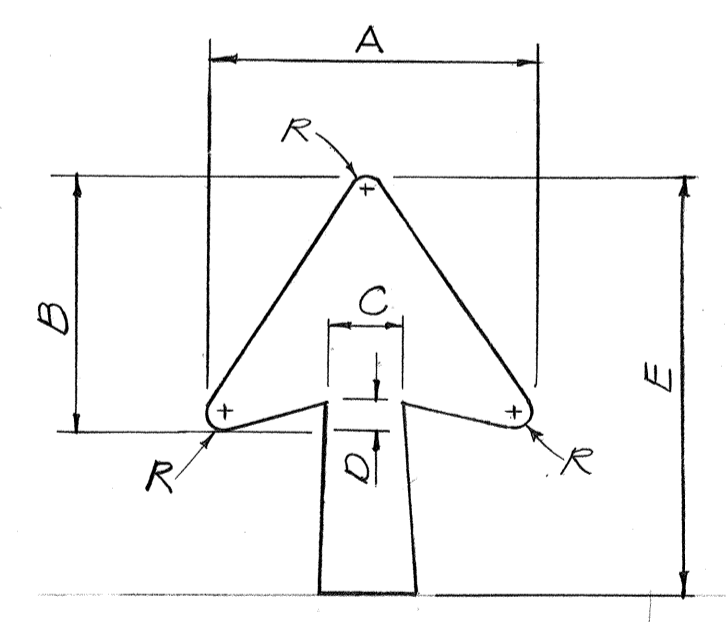
**NOTES: SIGN DIR-1 & DIR-1a**  
1. Directional Sign DIR-1 & DIR-1a shall consist of two interchangeable panels.  
2. Payment shall be for separate panels as described in the proposal schedule.  
3. Payment for Galv. Steel Hooks shall be incidental to the post & foundation payment in the proposal schedule. (See Detail Plan Sht. #76)

DIRECTIONAL SIGN SUMMARY		
TYPE	DESCRIPTION	AREA
DIR-1	Stadium Gate Closed	22.50 SQ. FT.
DIR-2	Honolulu	23.75 " "
DIR-3	Honolulu, RIGHT LANE ONLY	37.50 " "
DIR-4	Aliamanu, Salt Lake, Kam Hwy.	36.00 " "
DIR-5	Stadium, RIGHT LANE	30.00 " "
DIR-1a	Stadium Gate Open	22.50 " "
	<b>TOTAL</b>	<b>172.25 SQ. FT.</b>

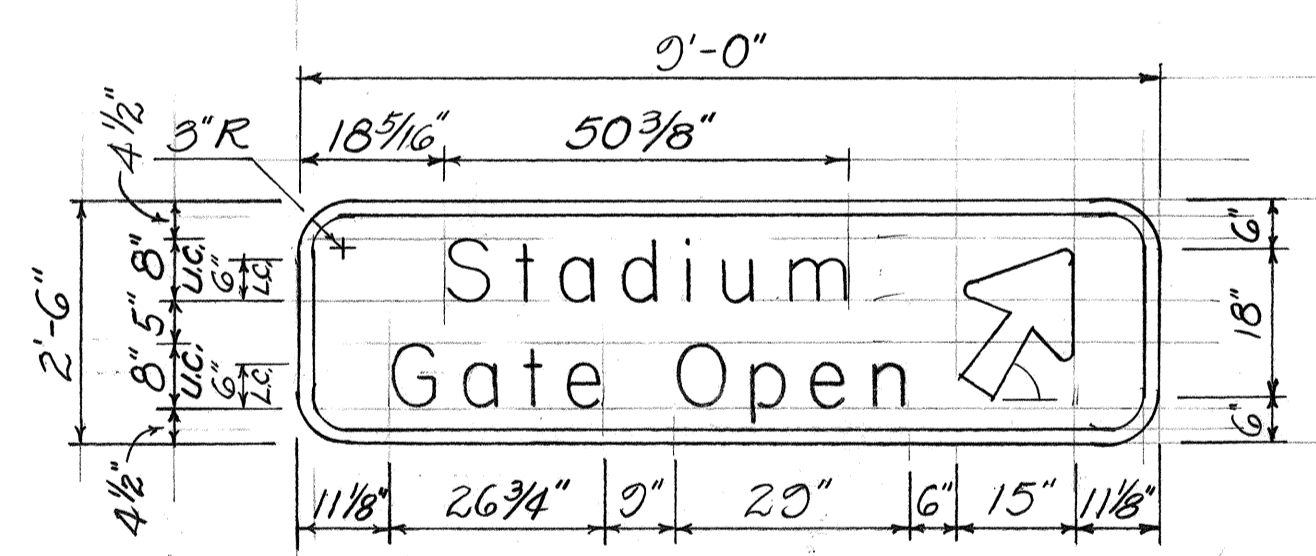
**PANEL LAYOUT**

**SIGN PANEL NOTES**

- Directional Signs (DIR-) shall conform to the latest FHWA Publications & Amendments of the following:  
"Manual on Uniform Traffic Control Devices for Streets & Highways."  
"Standard Highway Signs."  
"Standard Alphabets for Highway Signs"
- Color:  
Letters } White Reflective Sheeting  
Borders }  
Arrows }  
Background) Green Reflective Sheeting
- Sign Panel:  
0.100" Sheet Aluminum
- If Splicing is necessary, Contractor shall submit Splice Details to State Engineer for approval.
- Letter Style:  
(a) When letters are all uppercase use Series "E".  
(b) When initial uppercase letter is used in conjunction w/lowercase letters, use Series "E" (M) for uppercase letter.  
(c) Use standard lowercase letters.



**ARROW DETAIL**



**DIR-1a**  
(INTERCHANGEABLE SIGN PANEL)

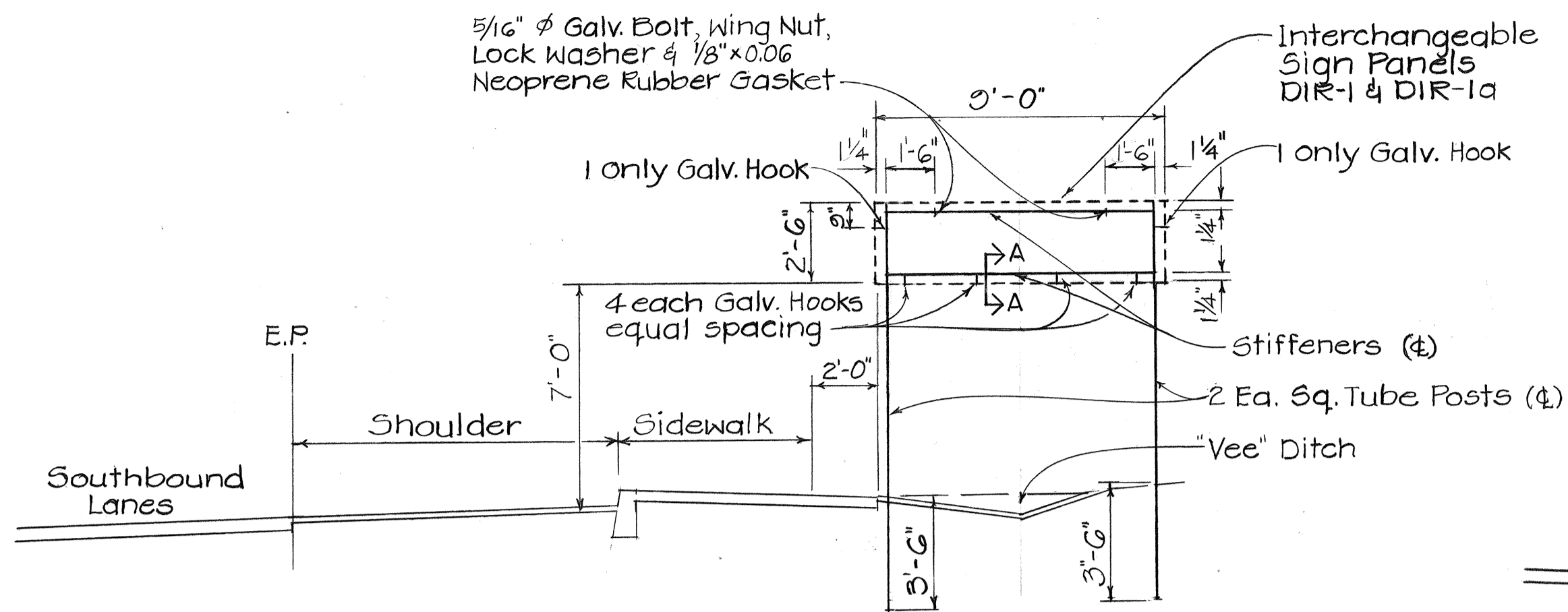
Letter Size (Upper Case)	Dimensions (Inches)					
	A	B	C	D	*E	R
8"	15 1/8	11 3/16	3 3/4	1 5/16	17	13 1/16
10 2/3"	18 1/4	14	4 1/2	1 1/2	22	3 1/4

\* Taper of 1/2" per ft. should be held constant for longer or shorter shaft lengths.

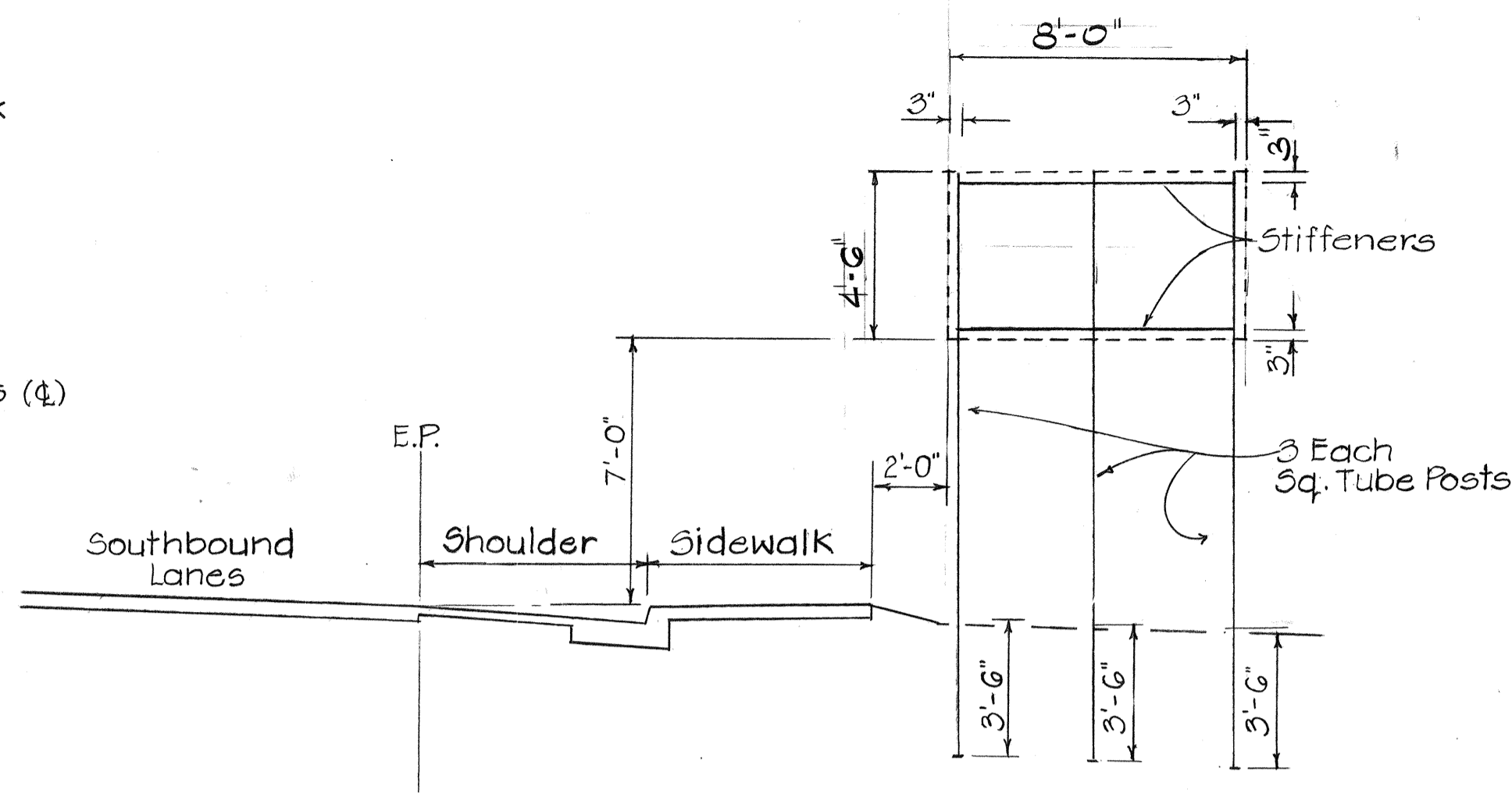
DATE	_____
SURVEY PLOTTED BY	_____
DRAWN BY	_____
DESIGNED BY	_____
CHECKED BY	_____
ORIGINAL PLAN	_____
NOTE BOOK	_____
No.	_____

STATE OF HAWAII  
DEPARTMENT OF TRANSPORTATION  
LAND TRANSPORTATION FACILITIES DIVISION  
PANEL LAYOUTS FOR  
DIRECTIONAL SIGNS  
INTERSTATE ROUTE H-1  
HALAWA INTERCHANGE  
KAHUPAANI STREET  
F.A.I. PROJ. NO. I-HI-1(20):13  
NOT TO SCALE DATE: APRIL, 1981  
SHEET No. 5 OF 6 SHEETS

FED. ROAD DIST. NO.	STATE	FED. AID PROJ. NO.	FISCAL YEAR	SHEET NO.	TOTAL SHEETS
HAWAII	HAW.	I-HI-1(06):13	1981	77	112



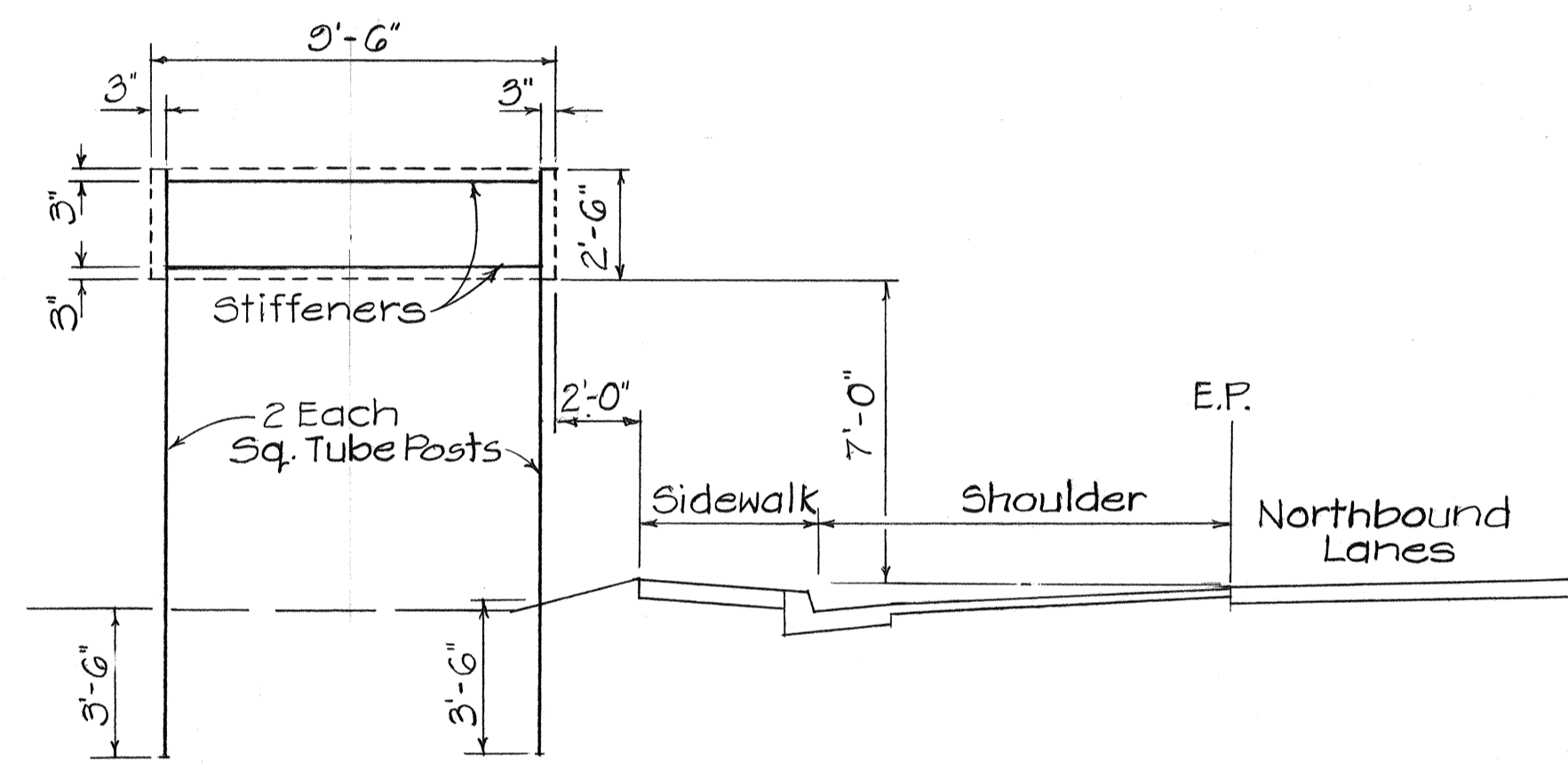
**SIGN DIR-1 & DIR-1a**  
# STA. 53+00 S.B.



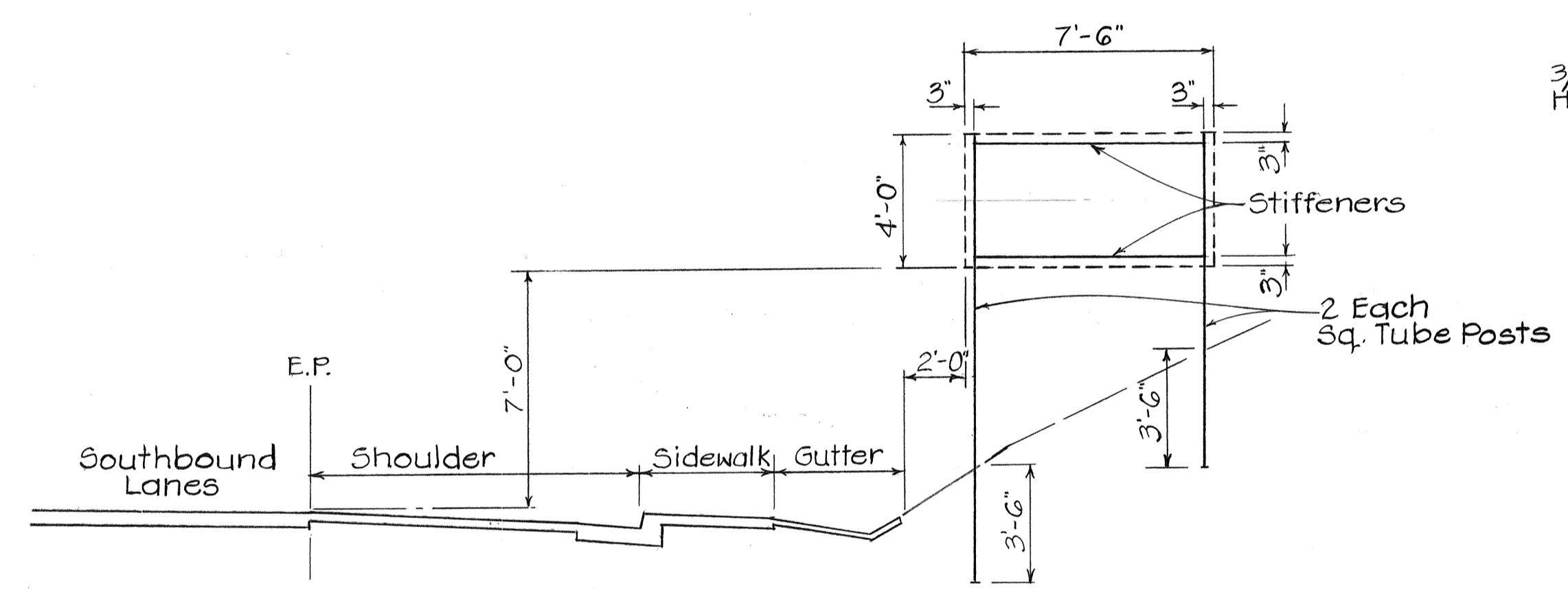
**SIGN DIR-4**  
# STA. 62+50 S.B.

**NOTE**

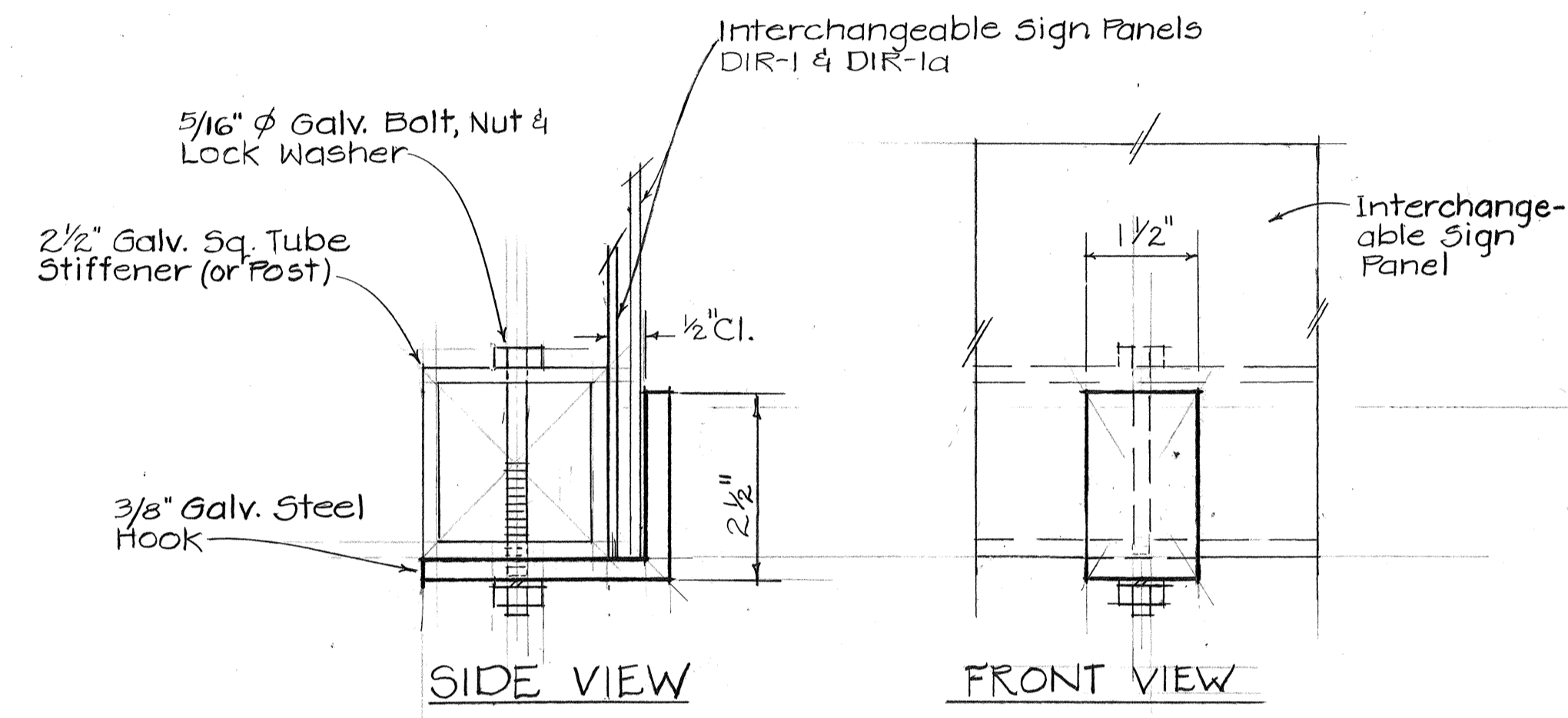
1. ALL SQ. TUBE POSTS & STIFFENERS SHALL BE 2 1/2", 10 GA., GALVANIZED.
2. STIFFENERS SHALL BE WELDED TO FRAME.
3. FINAL LOCATIONS SHALL BE DETERMINED IN THE FIELD BY THE ENGINEER.
4. SIGN PANEL SHALL BE ATTACHED TO FRAME WITH 5/16"  $\phi$  GALV. BOLT, NUT, LOCK WASHER & 7/8" x 0.06" NEOPRENE RUBBER GASKET.
5. SIGN PANEL SHALL HAVE 3/8"  $\phi$  BOLT HOLES DRILLED AT APPROPRIATE LOCATIONS.



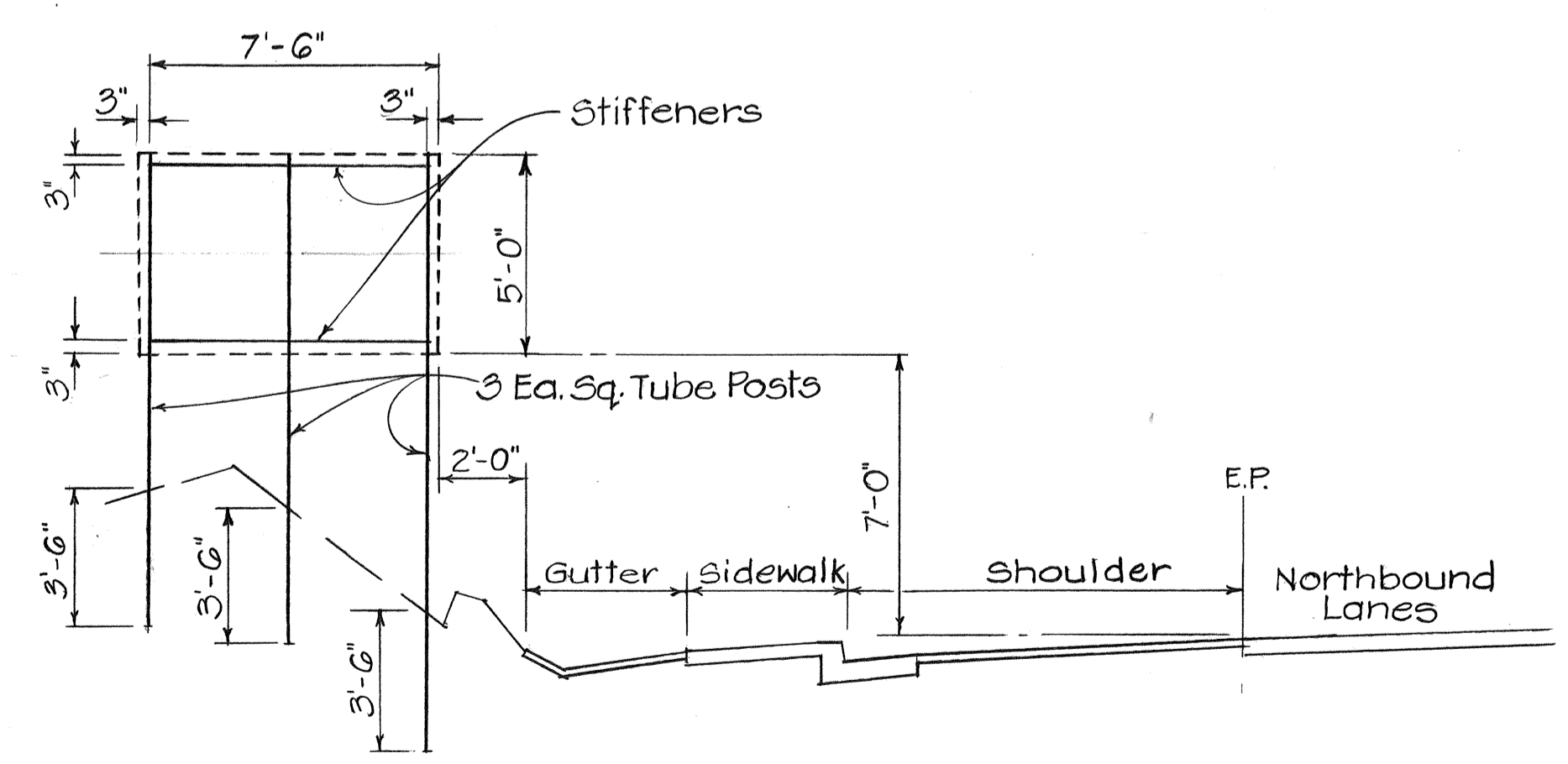
**SIGN DIR-2**  
# STA. 44+50 N.B.



**SIGN DIR-5**  
# STA. 38+00 S.B.



**SECTION "A-A"**  
**GALVANIZED HOOK DETAIL**  
N.T.S.



**SIGN DIR-3**  
# STA. 30+00 N.B.

DATE	
SURVEY PLOTTED BY	
DRAWN BY	
TRACED BY	
QUANTITIES BY	
NOTE BOOK	
CHECKED BY	
No.	

STATE OF HAWAII  
DEPARTMENT OF TRANSPORTATION  
LAND TRANSPORTATION FACILITIES DIVISION

**FRAME LAYOUTS FOR  
DIRECTIONAL SIGNS**

INTERSTATE ROUTE H-1  
HALAWA INTERCHANGE  
KAHUAPAANI STREET

F.A.I. PROJ. NO. I-HI-1(06):13  
NOT TO SCALE DATE: APRIL, 1981  
SHEET No. 6 OF 6 SHEETS