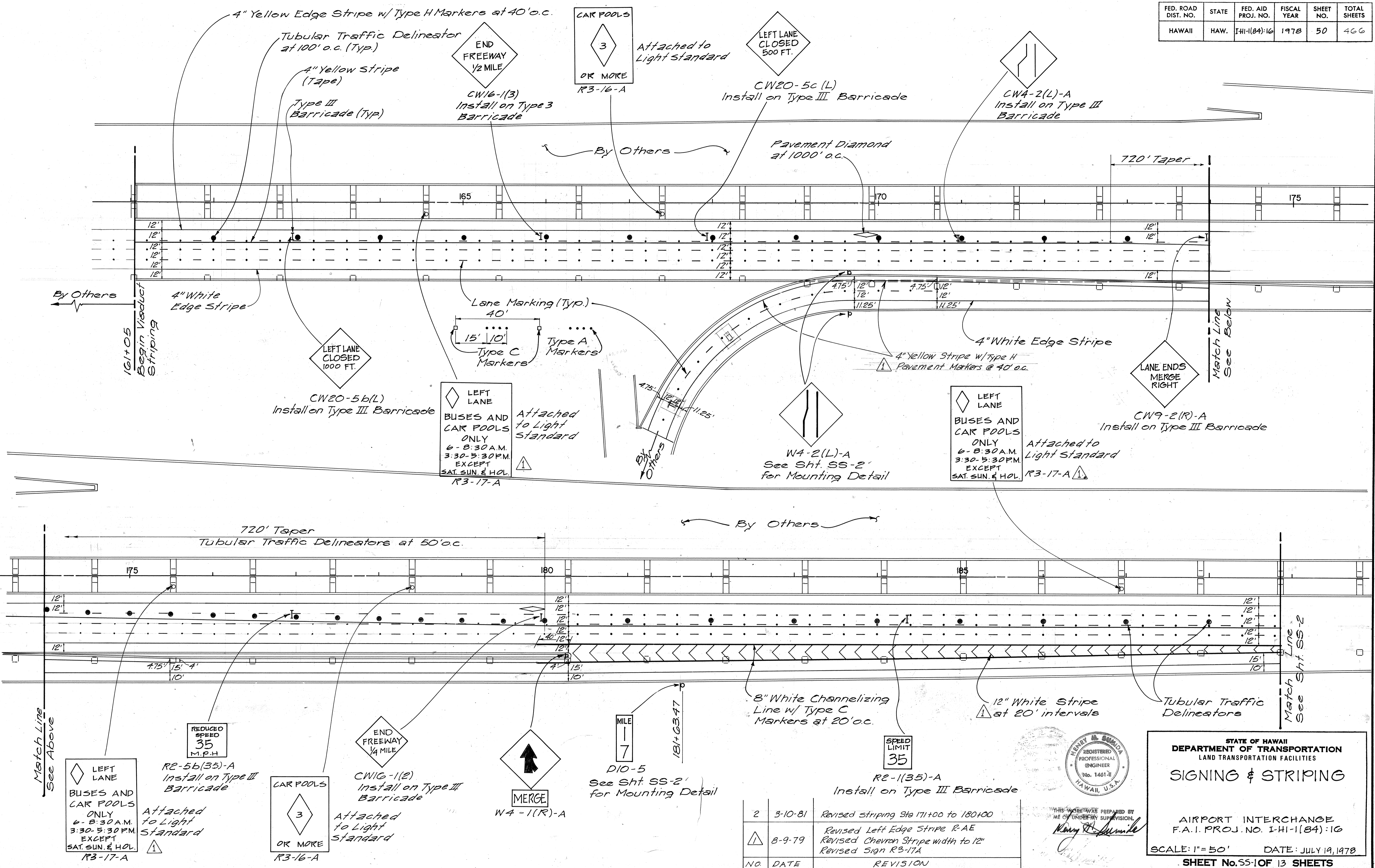
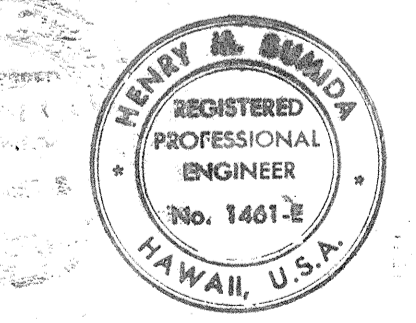


FED. ROAD DIST. NO.	STATE	FED. AID PROJ. NO.	FISCAL YEAR	SHEET NO.	TOTAL SHEETS
HAWAII	HAW.	I-HI-1(84)-16	1978	50	466



DATE	_____
ORIGINAL PLAN	_____
TRACED BY	_____
NOTE BOOK	_____
QUANTITIES BY	_____
CHECKED BY	_____

NO.	DATE	REVISION
2	3-10-81	Revised striping Sta 171+00 to 180+00
1	8-9-79	Revised Left Edge Stripe R-AE Revised Chevron Stripe width to 12" Revised Sign R3-17A



STATE OF HAWAII
DEPARTMENT OF TRANSPORTATION
LAND TRANSPORTATION FACILITIES

SIGNING & STRIPING

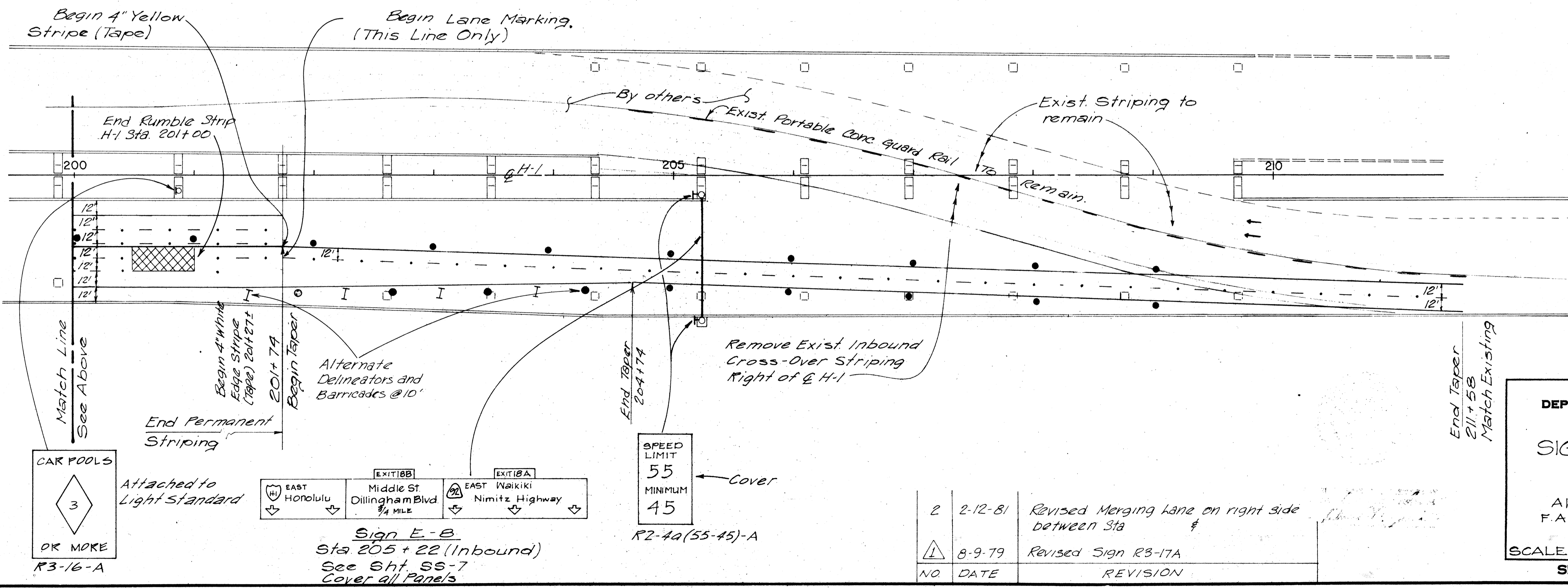
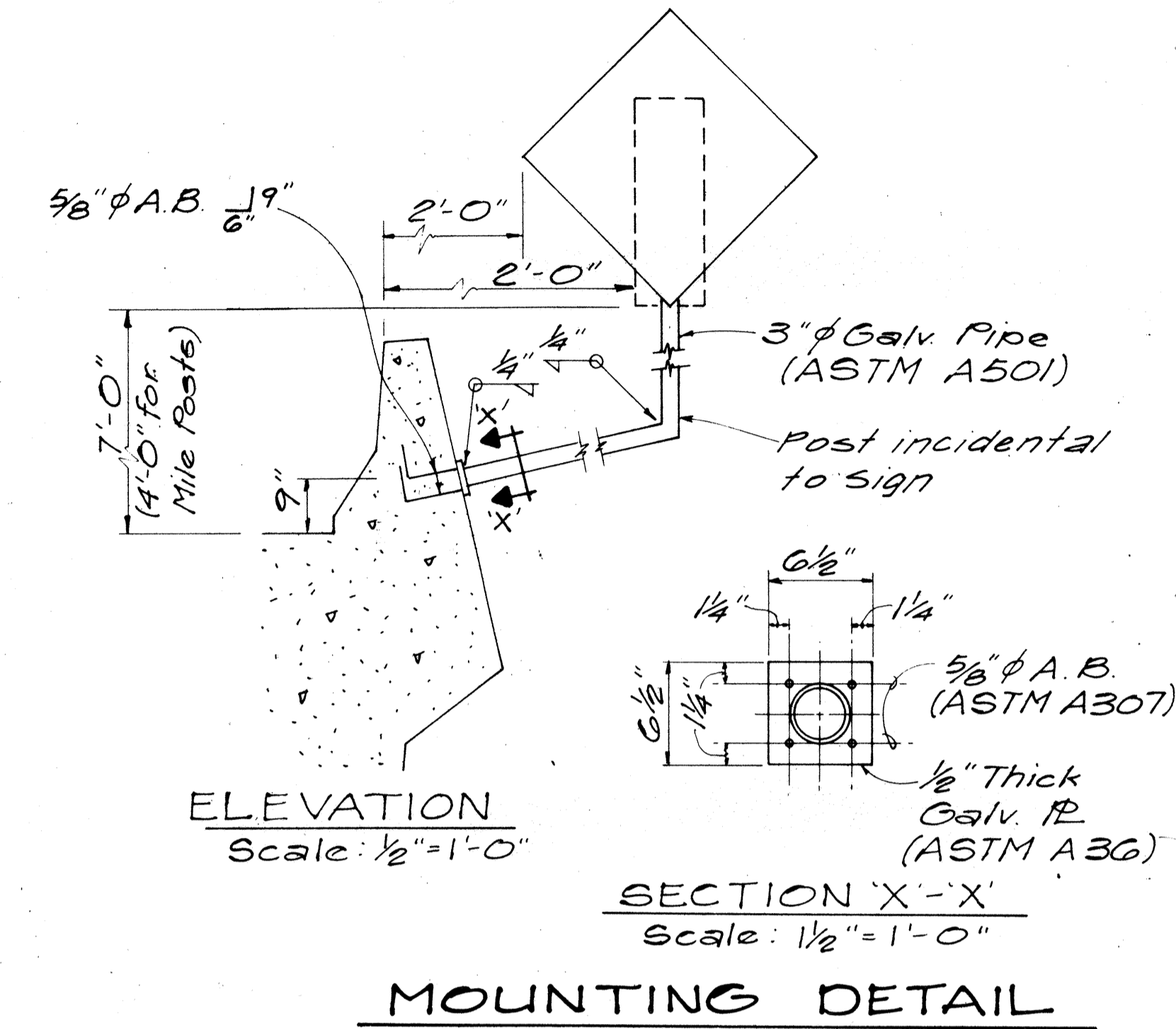
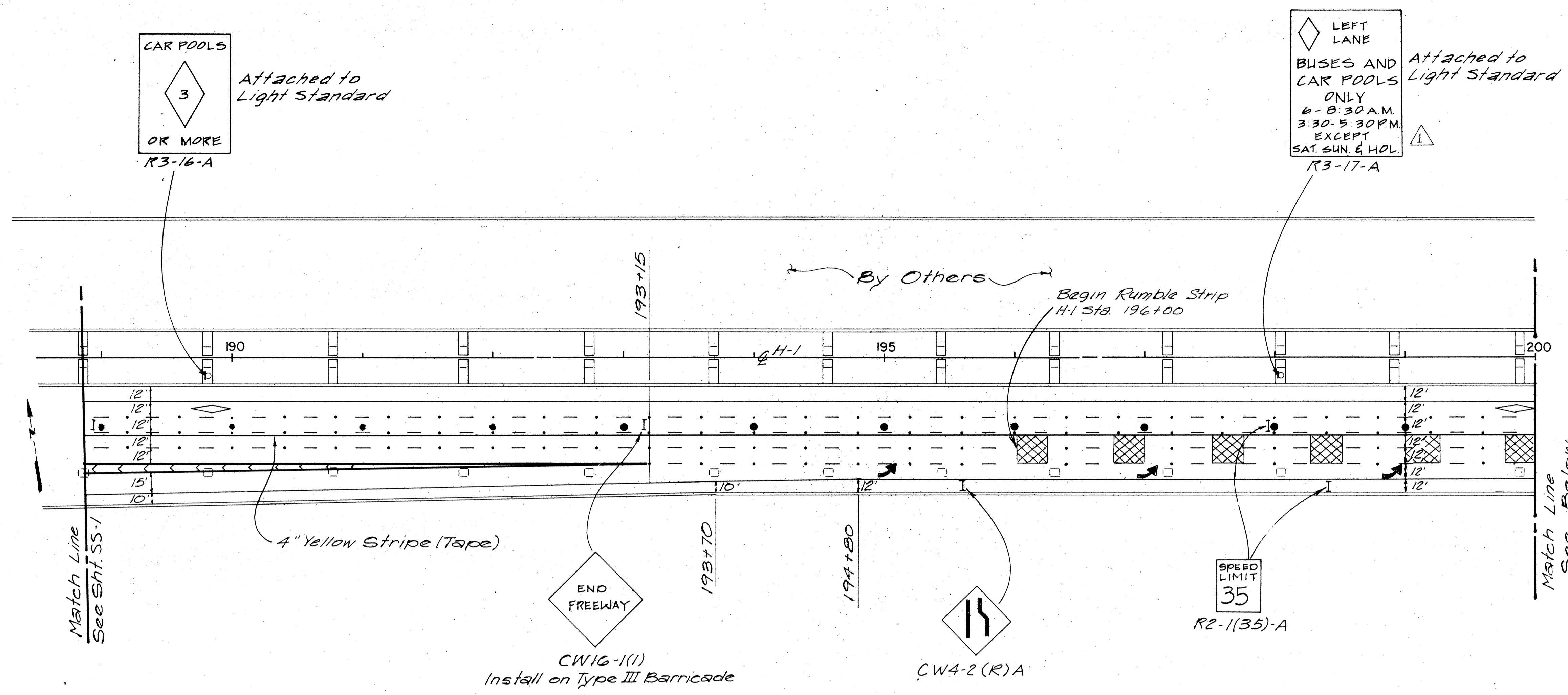
AIRPORT INTERCHANGE
F.A.I. PROJ. NO. I-HI-1(84)-16

SCALE: 1" = 50' DATE: JULY 19, 1978

SHEET No. 55-1 OF 13 SHEETS

C050

FED. ROAD DIST. NO.	STATE	FED. AID PROJ. NO.	FISCAL YEAR	SHEET NO.	TOTAL SHEETS
HAWAII	HAW.	I-HI-1(84)-16	1978	51	100



DATE	
DESIGNED BY	
TRACED BY	
NOTED BY	
CHECKED BY	

NO.	DATE	REVISION
2	2-12-81	Revised Merging lane on right side between Sta. &
1	8-9-79	Revised Sign R3-17A

STATE OF HAWAII
DEPARTMENT OF TRANSPORTATION
LAND TRANSPORTATION FACILITIES

SIGNING & STRIPING

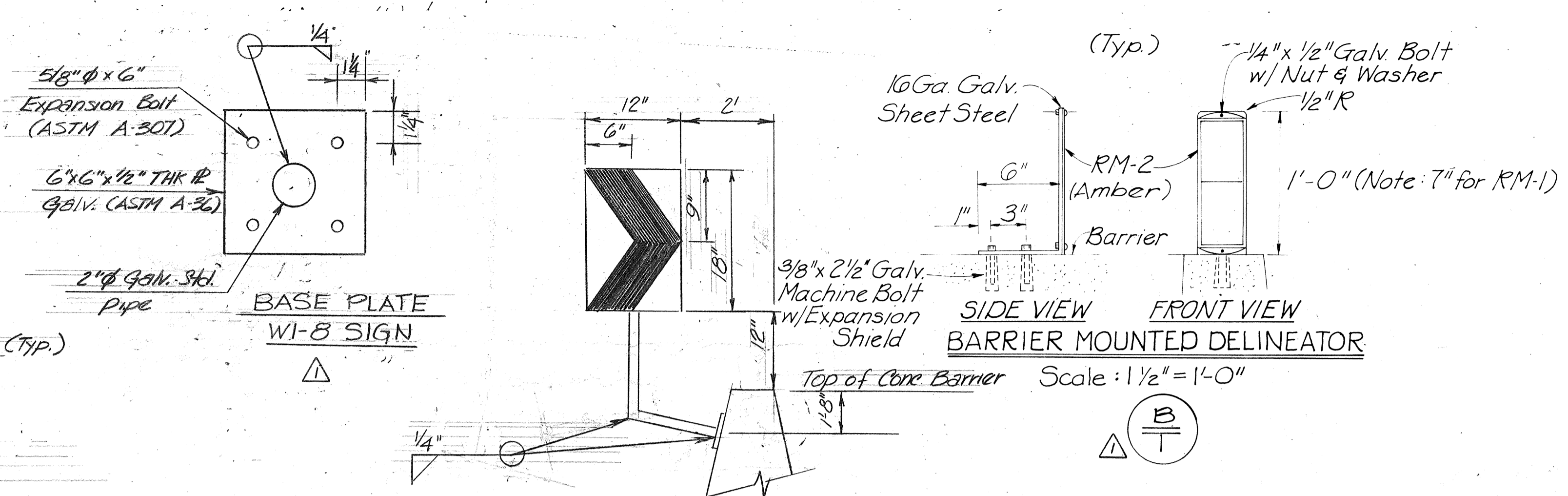
AIRPORT INTERCHANGE
F.A.I. PROJ. NO. I-HI-1(84)-16

SCALE: 1" = 50' DATE: JULY 17, 1978

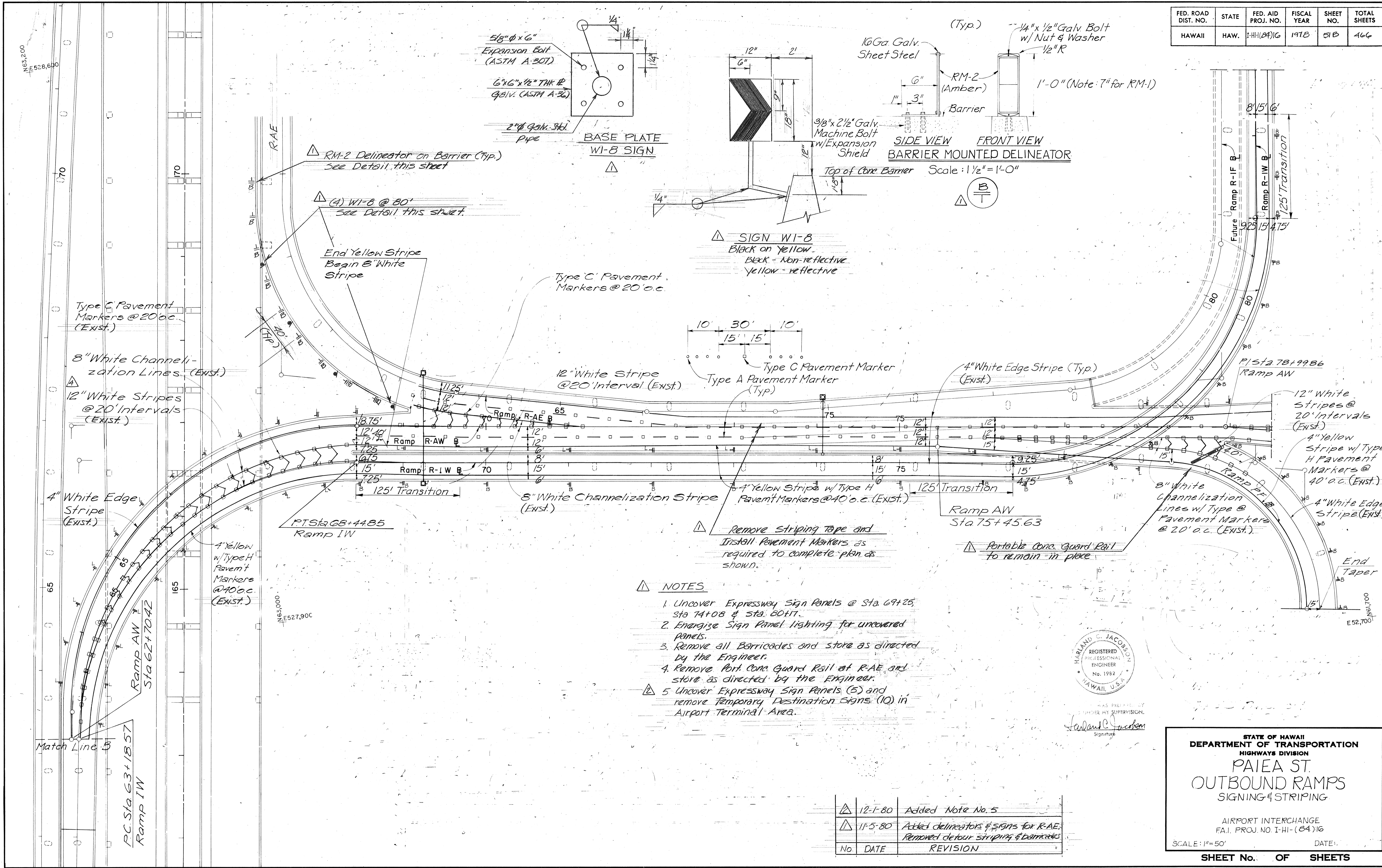
SHEET No. 55-2 OF 13 SHEETS

C051

FED. ROAD DIST. NO.	STATE	FED. AID PROJ. NO.	FISCAL YEAR	SHEET NO.	TOTAL SHEETS
HAWAII	HAW.	I-HI-(84)16	1978	51B	464

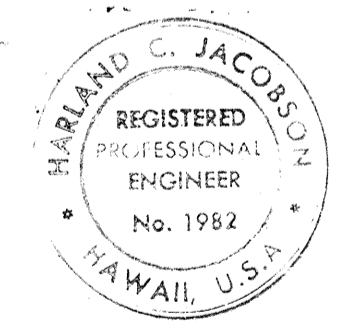


PROFILE	DATE
BY	
NO.	
NO.	
NO.	



NOTES

1. Uncover Expressway Sign Panels @ Sta. 69+25, Sta. 74+08 & Sta. 80+17.
2. Energize Sign Panel lighting for uncovered panels.
3. Remove all Barricades and store as directed by the Engineer.
4. Remove Port. Cone Guard Rail at R-AE and store as directed by the Engineer.
5. Uncover Expressway Sign Panels (5) and remove Temporary Destination Signs (10) in Airport Terminal Area.



Harland C. Jacobson
Signature

No.	DATE	REVISION
1	12-1-80	Added Note No. 5
2	11-5-80	Added delineators & signs for R-AE. Removed detour striping & barricades

STATE OF HAWAII
DEPARTMENT OF TRANSPORTATION
HIGHWAYS DIVISION
**PAIEA ST.
OUTBOUND RAMPS
SIGNING & STRIPING**

AIRPORT INTERCHANGE
FAI. PROJ. NO. I-HI-(84)16
SCALE: 1"=50' DATE:

SHEET No. OF SHEETS

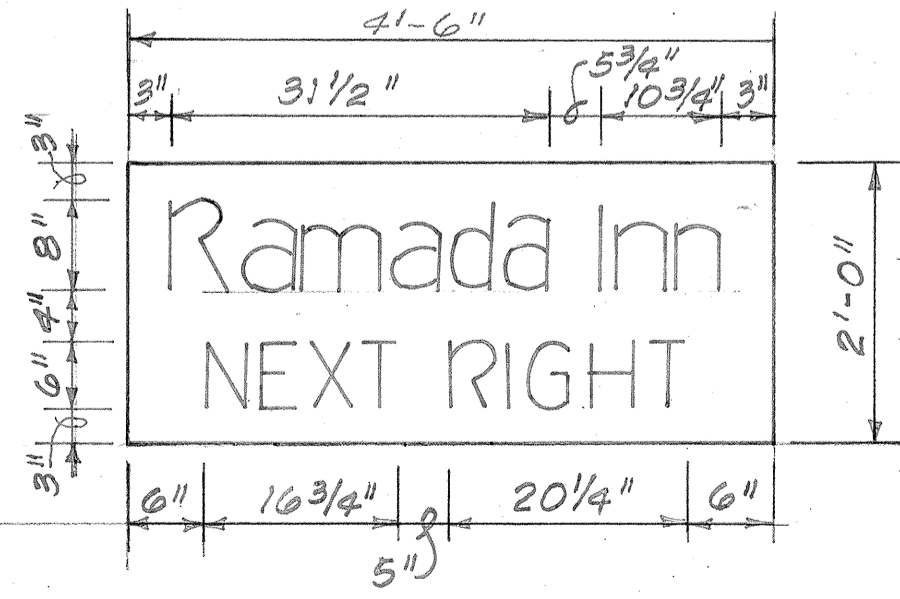
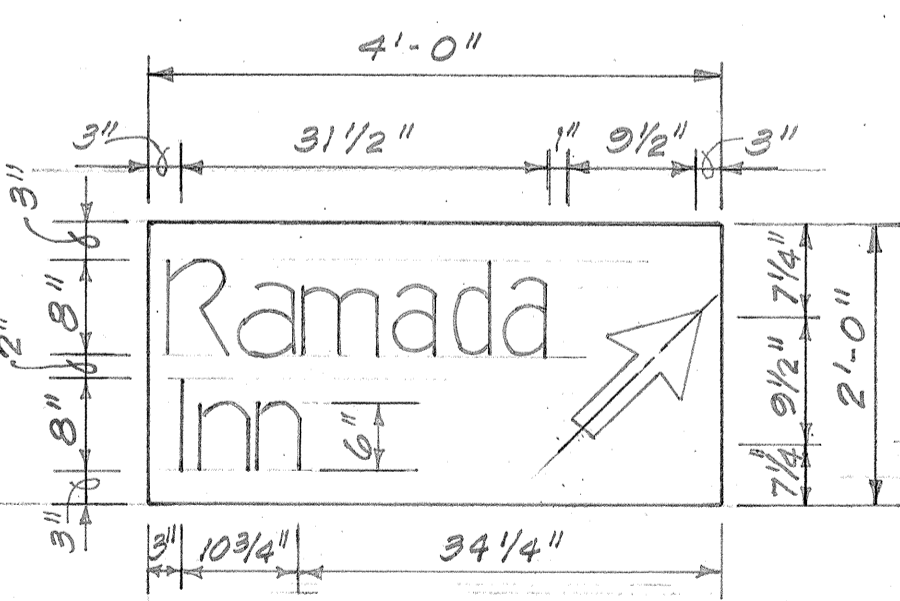
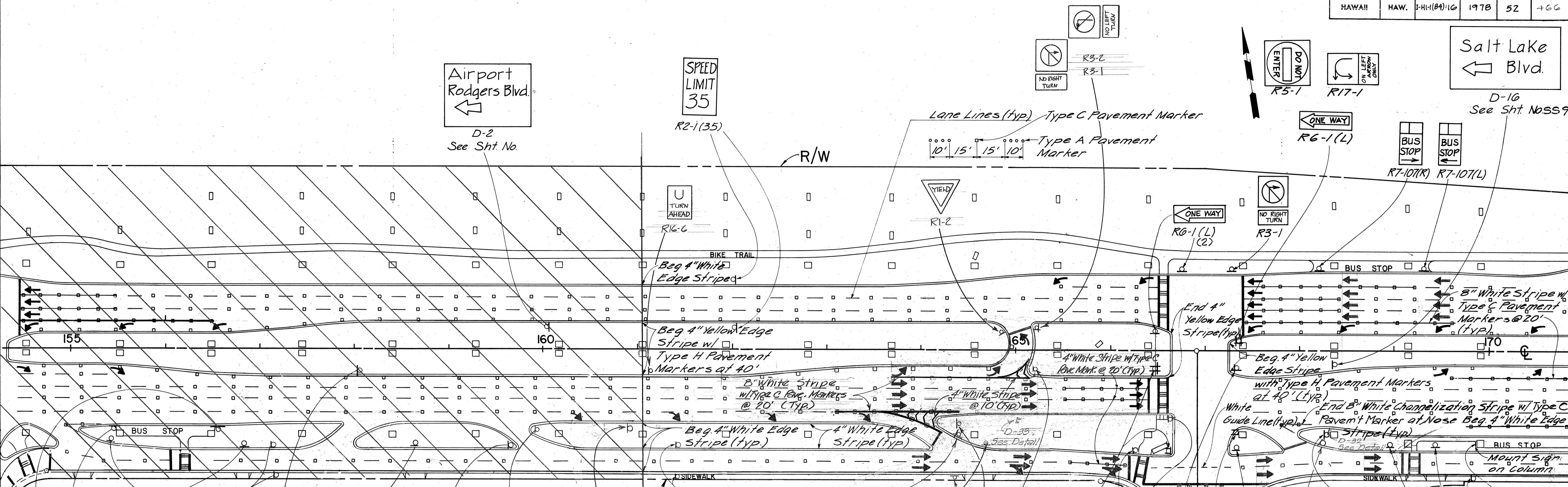
C051B

FED. ROAD DIST. NO.	STATE	FED. AID PROJ. NO.	FISCAL YEAR	SHEET NO.	TOTAL SHEETS
HAWAII	HAW.	I-HI-1(84)-16	1978	52	466

Salt Lake Blvd.
←

Airport Rodgers Blvd.
←

SPEED LIMIT 35



No.	DATE	REVISION
1	9-25-80	Install "Paiea St" sign only. Furnish D-31 only. Add sign D-29. See Sht. 556 for quantity changes in Striping, Markers & Signs.

Paiea St.
NEXT RIGHT
D-29
See Sht. 5510

NOTE: For all R6-1 signs mounted on columns, use 4-3/8" x 2 1/2" Galv. Machine Bolt with Expansion Shield Bolts and Expansion Shield to be incidental to signs.

STATE OF HAWAII
DEPARTMENT OF TRANSPORTATION
HIGHWAYS DIVISION

SIGNING & STRIPING
FRONTAGE ROADS
STA. 155+00 TO 170+00

AIRPORT INTERCHANGE
F.A.I. PROJ. NO. I-HI-1(84)-16

SCALE: 1"=50'
DATE: JUNE 30, 1978

SHEET No. 553 OF 13 SHEETS

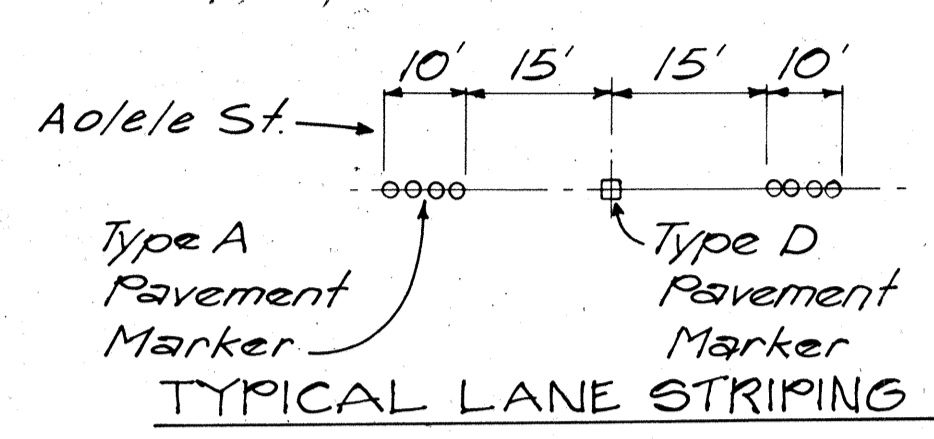
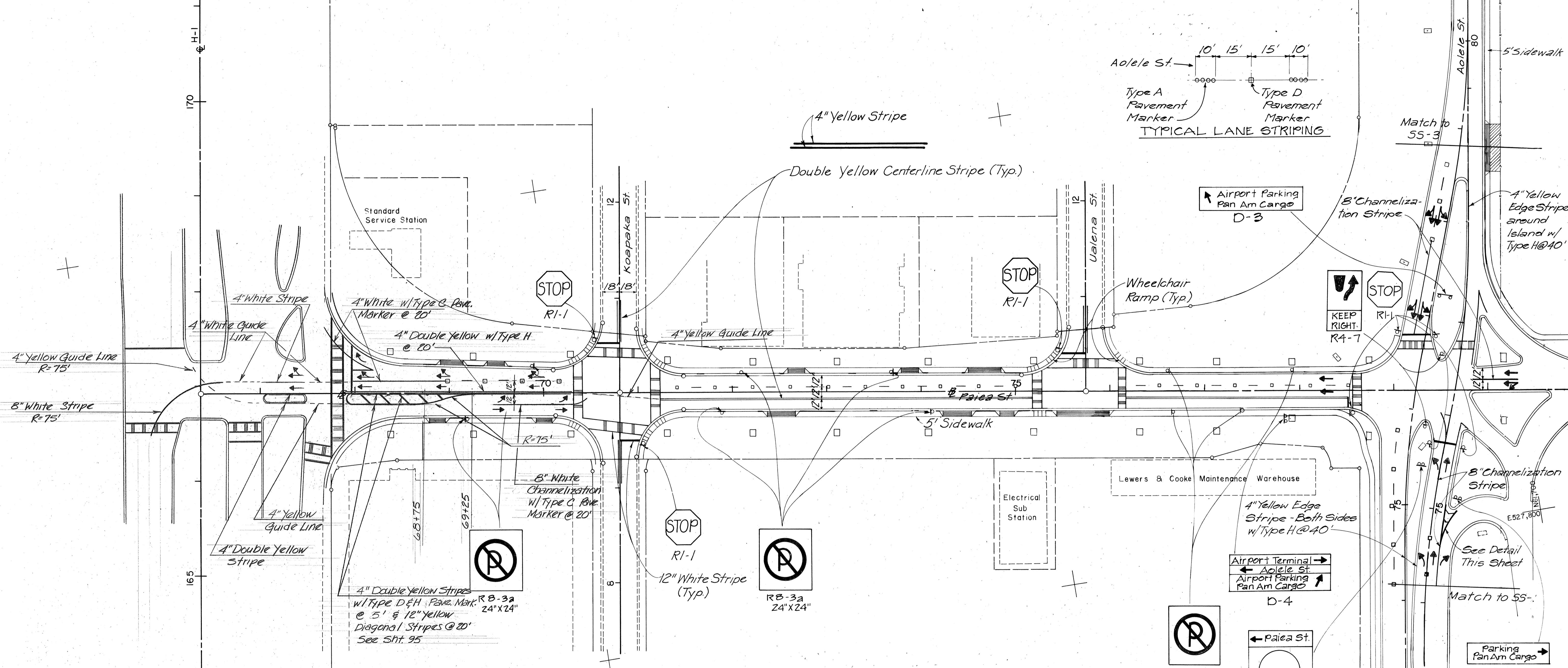
DESIGNED BY	DATE
PLANNED BY	
PREPARED BY	
QUANTITIES BY	
CHECKED BY	
ORIGINAL PLAN	
NO. 1	

K-E ENGINEERS

052

FED. ROAD DIST. NO.	STATE	FED. AID PROJ. NO.	FISCAL YEAR	SHEET NO.	TOTAL SHEETS
HAWAII	HAW.	[H-1(84)]G	1978	52A	

1163,200
E28,600



4" Double Yellow Stripes w/Type D & H Pav. Mark. @ 5' & 12" yellow Diagonal Stripes @ 20' See Sht. 95

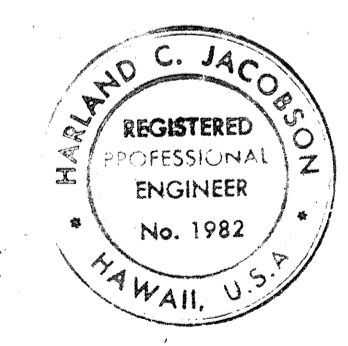
5" White Stripe Type C Pavement Marker @ 20' (Typ.)
 12" White Stripe @ 10' (Typ.) 45° to 5" Stripe

CHANNELIZING ISLAND TYPICAL

NOTE: All Signing is existing. All striping from Koapaka St to Service Road.

SURVEY PLOTTED BY	DATE
DESIGNED BY	
QUANTITIES BY	
CHECKED BY	
ORIGINAL PLAN	
NOTE BOOK	
No.	

No	DATE	REVISION
1	4-10-81	Added Sheet. Revised striping from Koapaka St to Service Road.



WAS PREPARED BY
 UNDER MY SUPERVISION
 Harland C. Jacobson
 Signature

STATE OF HAWAII
 DEPARTMENT OF TRANSPORTATION
 HIGHWAYS DIVISION

PAIEA STREET
 SIGNING & STRIPING

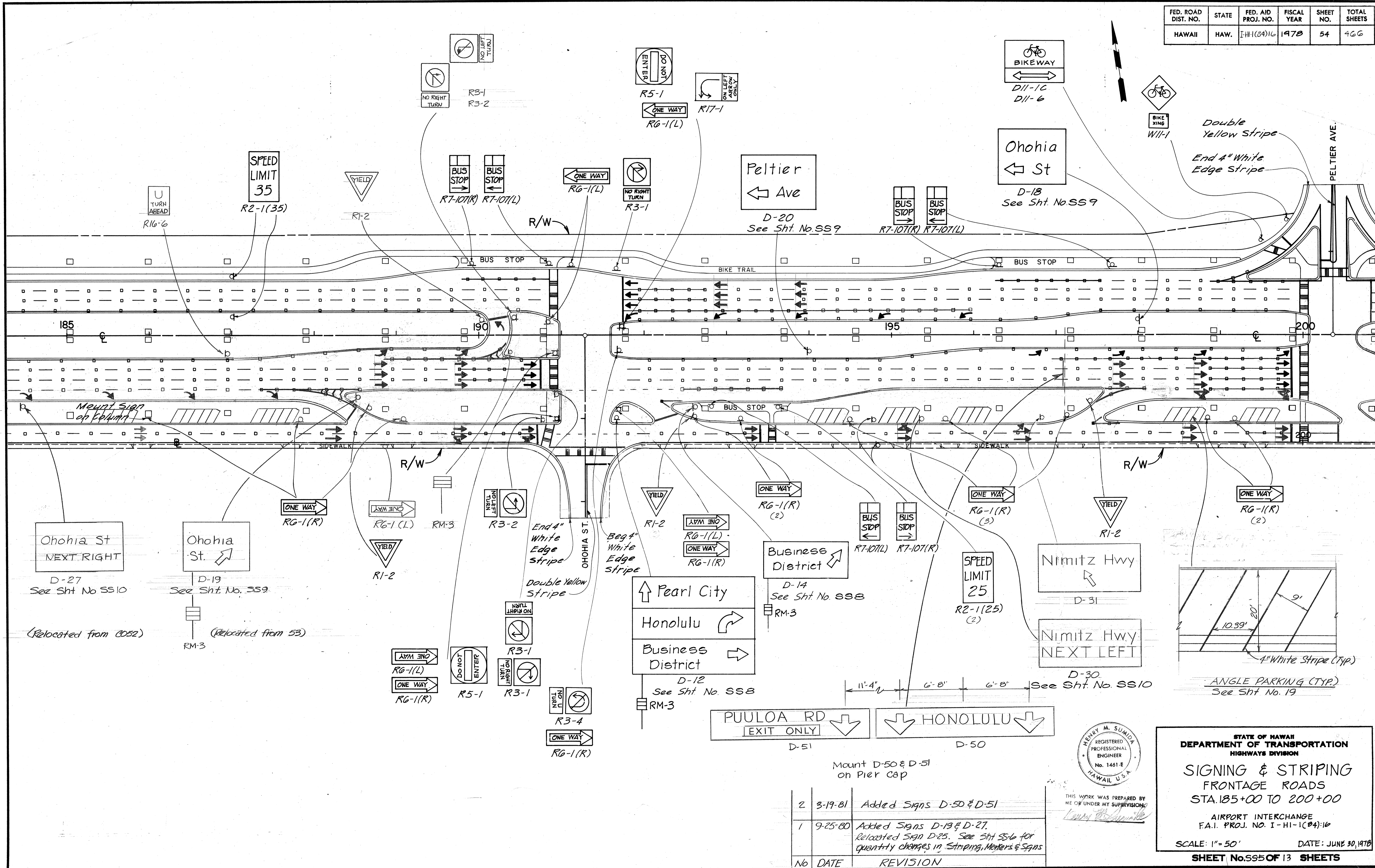
AIRPORT INTERCHANGE
 F.A.I. PROJ. NO. I-HI-1(84):1G

SCALE: 1" = 50' DATE:

SHEET No. SS20F 8 SHEETS

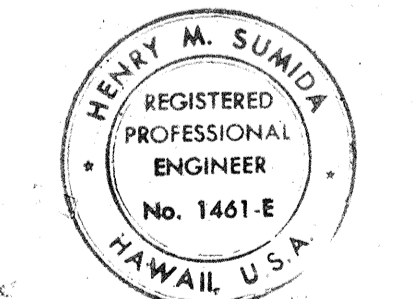
C052A

FED. ROAD DIST. NO.	STATE	FED. AID PROJ. NO.	FISCAL YEAR	SHEET NO.	TOTAL SHEETS
HAWAII	HAW.	IHI(84)16	1978	54	466



DESIGNED BY	DATE
DRAWN BY	
CHECKED BY	
QUANTITIES BY	
NOTES BOOK	
CHECKED BY	

No	DATE	REVISION
2	3-19-81	Added Signs D-50 & D-51
1	9-25-80	Added Signs D-19 & D-27 Relocated Sign D-25. See Sht SS-6 for quantity changes in Striping, Markers & Signs



THIS WORK WAS PREPARED BY ME OR UNDER MY SUPERVISION

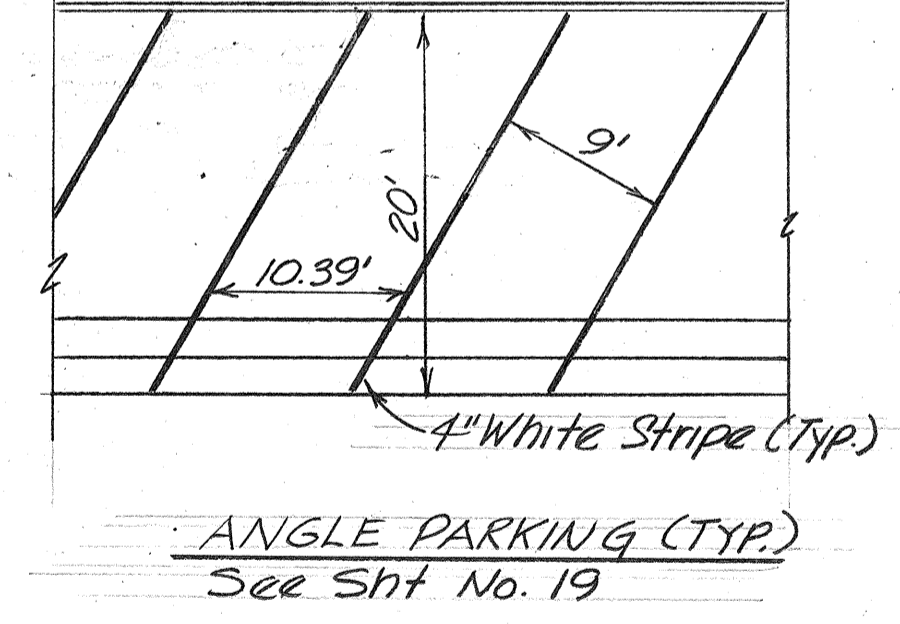
STATE OF HAWAII
DEPARTMENT OF TRANSPORTATION
HIGHWAYS DIVISION

SIGNING & STRIPING
FRONTAGE ROADS
STA. 185+00 TO 200+00

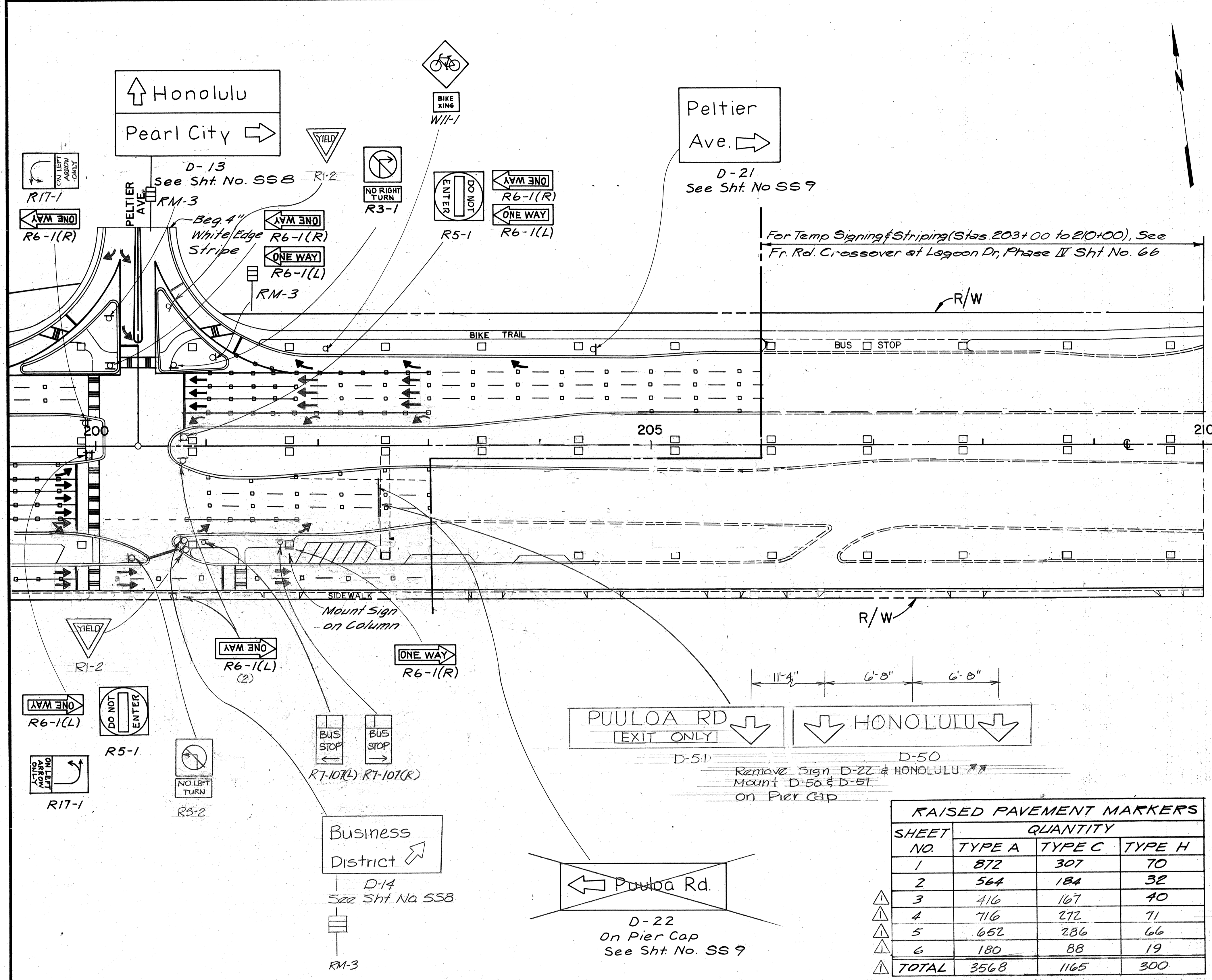
AIRPORT INTERCHANGE
F.A.I. PROJ. NO. I-HI-1(84)-16

SCALE: 1" = 50' DATE: JUNE 30, 1978

SHEET No. 55 OF 13 SHEETS



C054



REGULATORY & WARNING SIGNS	SHEET 1	SHEET 2	SHEET 3	SHEET 4	SHEET 5	SHEET 6	TOTAL
NO. DESCRIPTION	W/P	WO/P	W/P	WO/P	W/P	WO/P	W/P
R1-2 Yield			3	4	4	1	12
R2-1(25) Speed Limit (25)			4	4	2		10
R2-1(35) Speed Limit (35)			2	2	2		6
R3-1 No Right Turn			3	1	2	1	9
R3-2 No Left Turn			1	1	2	1	5
R3-4 No U Turn			1		1		2
R5-1 Do Not Enter			3	1	2	1	7
R6-1(L) One Way			4	3	5	2	15
R6-1(R) One Way			3	5	7	8	19
R7-107(R) Bus Stop			1	2	3	1	7
R7-107(L) Bus Stop			1	2	3	1	7
R17-1 On Left Arrow Only				1	2	1	4
W11-1 Bike Crossing				2	1	1	4
D11-1c Bikeway				1	1		2
D11-6					1	1	2
R16-6 U Turn Ahead			1		1		2
TOTAL (10 S.F. OR LESS)			27	11	36	14	111

R2-1(35)A Speed Limit 35	1	2					3
R2-1(35)A Speed Limit 55 Mph		2					2
R2-5b(35)A Reduced Speed 35	1						1
W4-1(R)-A Merge	1						1
W4-2(L)-A Pavement Width Transition 2							2
R3-16-A Car Pools 3 or more	2	2					4
R3-17-A Buses & Car Pools only	3	1					4
TOTAL (MORE THAN 10 S.F.)	3	7	7				3

CW4-2(L)-A Pav't Width Transition	1						1
CW4-2(R)-A Lane Ends Merge Rt.	1	1					2
CW16-1(1) End Freeway		1					1
CW16-1(2) End Freeway 1/4 Mile	1						1
CW16-1(3) End Freeway 1/2 Mile	1						1
CW20-5b(L) Left Lane Closed 1000 Ft.	1						1
CW20-5c(L) Left Lane Closed 500 Ft.	1						1
TOTAL-CONSTRUCTION SIGNS	6	#2					7

D10-5 Milepost	1						1
RM-3 Reflector Marker		1	1	1	1	2	6
3-4-1-81 Added Yield Sign @ Peltier Ave.							
2-3-19-81 Added Signs D-50 & D-51 Removed Sign D-22							
9-25-80 Eliminate Sign D-23. Add Sign D-14. See Schedules for Striping, Marker & Sign changes.							
No. DATE REVISION	No.	DATE	REVISION				

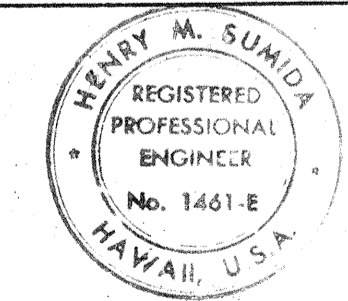
SHEET NO.	QUANTITY		
	TYPE A	TYPE C	TYPE H
1	872	307	70
2	564	184	32
3	416	167	40
4	716	272	71
5	652	286	66
6	180	88	19
TOTAL	3568	1165	300

SHEET NO.	TYPE III BARRICADES	RESET PORT CONG. GUARDRAILS (EACH)
1	8	
2	8	29
3		
4		
5		
6		
TOTAL	16	29

SHEET NO.	STRIPING (LIN. FT.)	DIAMONDS (EACH)	DELINEATORS (EACH)	CROSSWALK (LANES)	ARROWS (EACH)	REMOVING STRIPING (LIN. FT.)
1	14,606	2	33			
2	6,811	2	39			3150
3	6,935			16	46	
4	11,503			17	48	
5	12,368			26	59	
6	3,555			3	22	
TOTAL	55,178	4	72	62	175	3150

SHEET NO.	EXPRESSWAY SIGNS (SQ. FT.)	DESTINATION SIGNS (SQ. FT.)
1		
2	552	
3		177.50
4		190.00
5		208.15
6		113.00
TOTAL	552	689.25

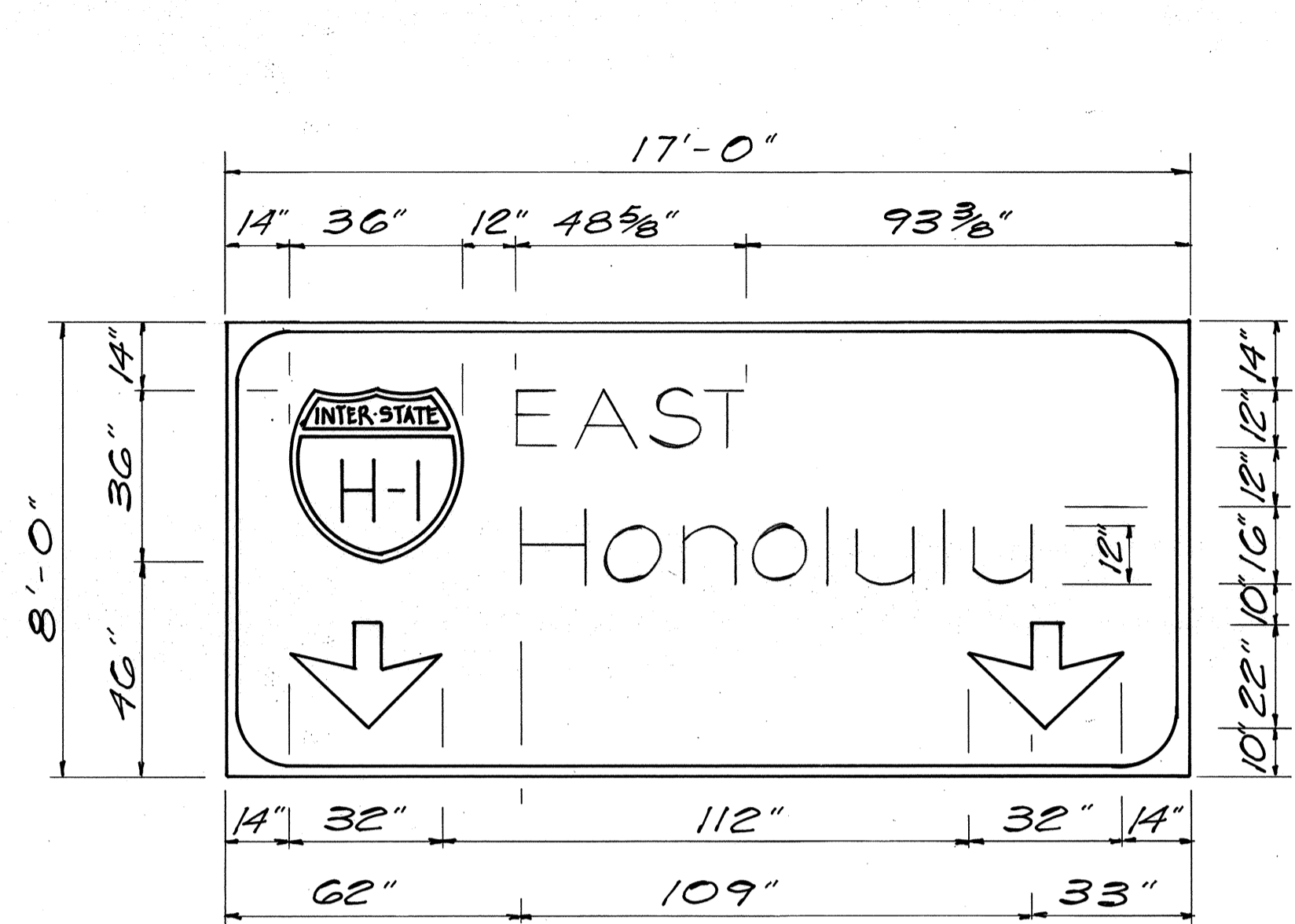
DRAWN BY: _____
 CHECKED BY: _____
 DATE: _____



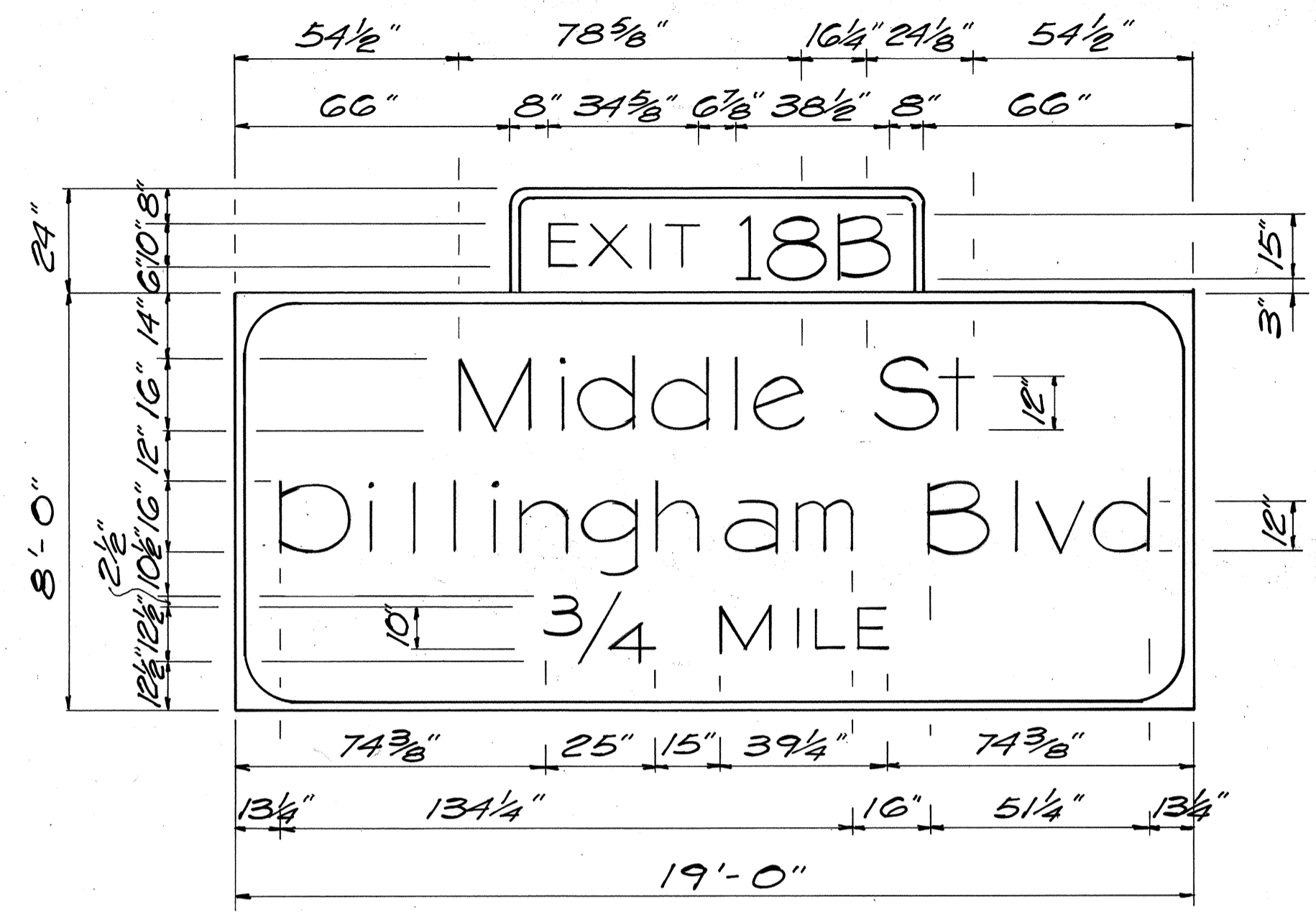
THIS WORK WAS PREPARED BY ME OR UNDER MY SUPERVISION.

STATE OF HAWAII
DEPARTMENT OF TRANSPORTATION
HIGHWAYS DIVISION
SIGNING & STRIPING
FRONTAGE ROADS
STA. 200+00 TO 210+00
 AIRPORT INTERCHANGE
 F.A.I. PROJ. NO. I-11-1(84)16
 SCALE: 1" = 50' DATE: JUNE 30, 1978
SHEET No. 55 OF 13 SHEETS

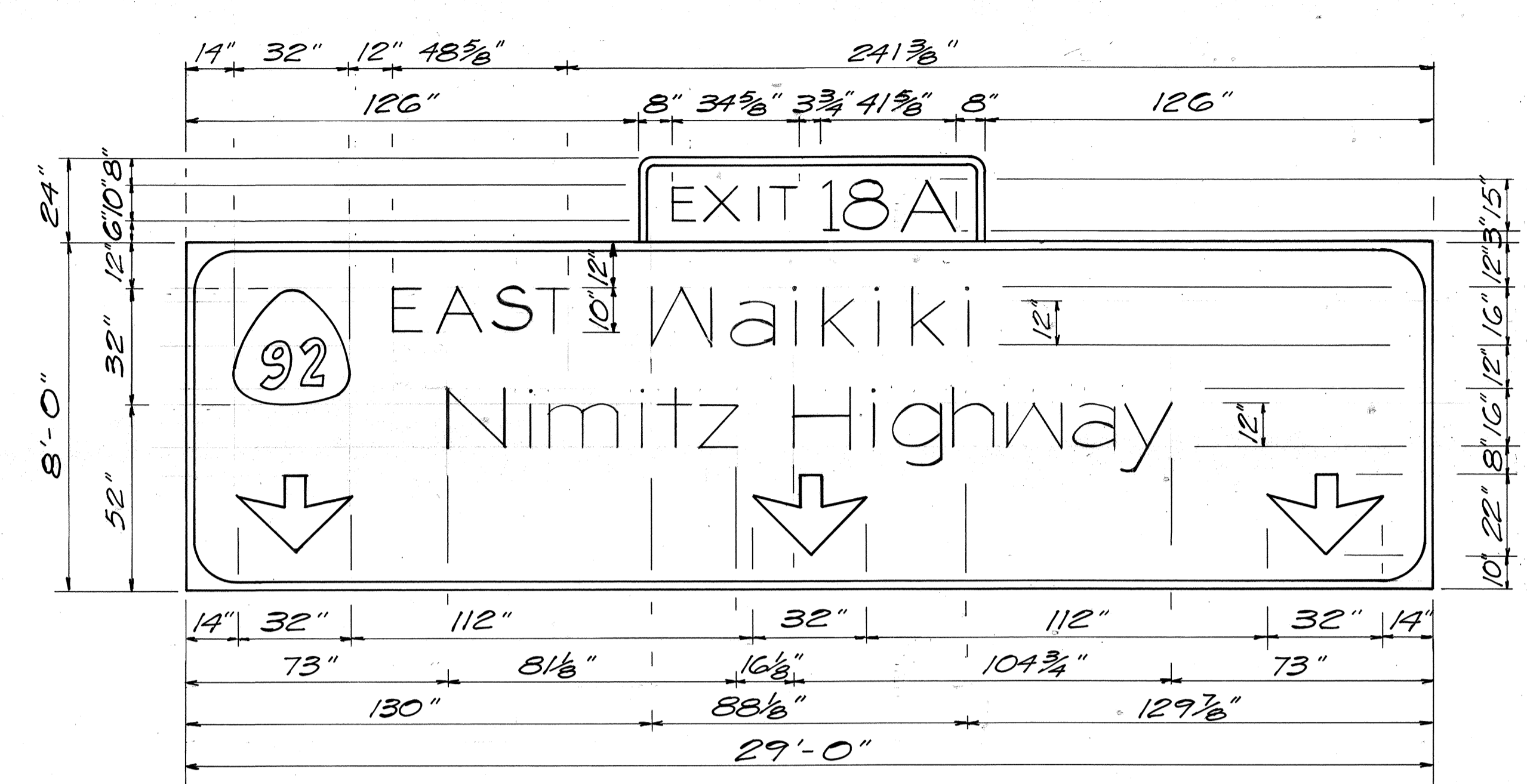
FED. ROAD DIST. NO.	STATE	FED. AID PROJ. NO.	FISCAL YEAR	SHEET NO.	TOTAL SHEETS
HAWAII	HAW.	I-HI-(84):1G	1978	56	466



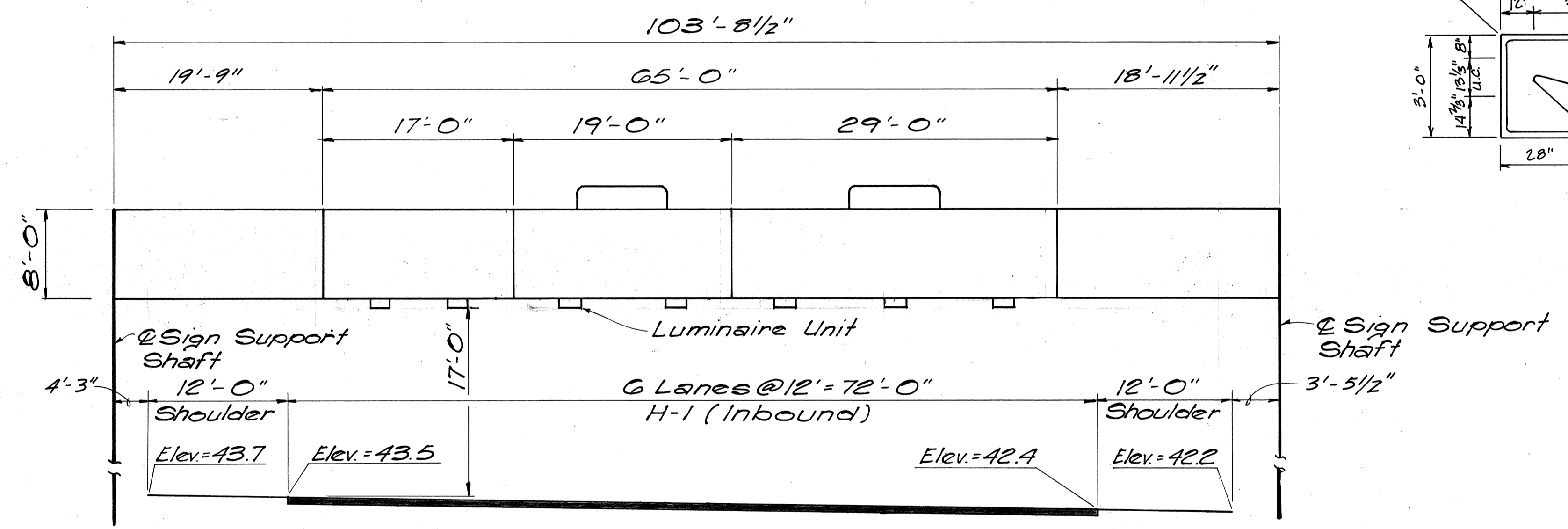
SIGN E-8 (L)
Scale: 3/8" = 1'-0"



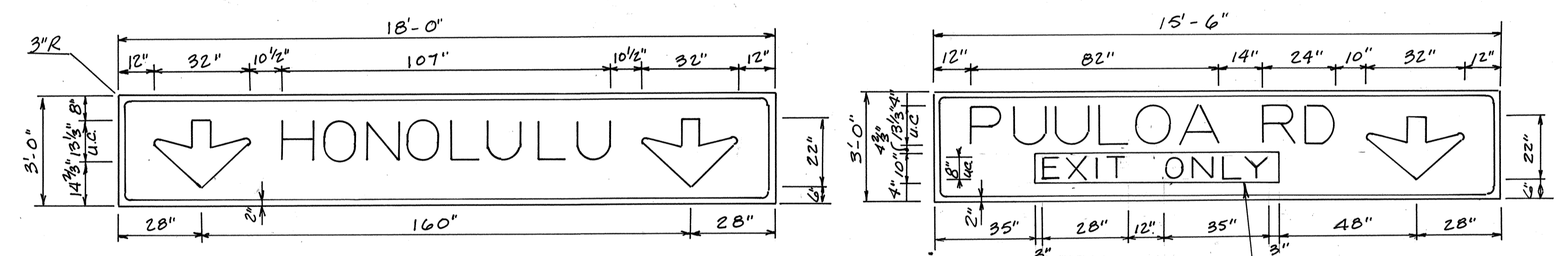
SIGN E-8 (C)
Scale: 3/8" = 1'-0"



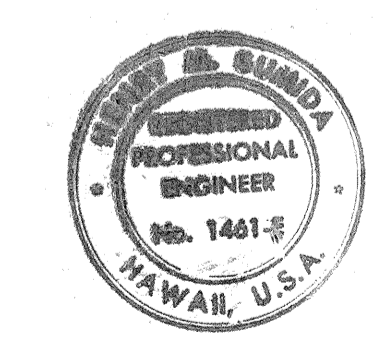
SIGN E-8 (R)
Scale: 3/8" = 1'-0"



SIGN E-8
Sta. 205+22 (Inbound)
Panel Height = 8'-0"
Not to Scale



D-50 Note: Signs D-50 & D-51 are temporary signs **D-51**



THIS WORK WAS PREPARED BY ME OR UNDER MY SUPERVISION
W. J. Gunda

No	DATE	REVISION
1	3-18-81	Added Signs D-50 & D-51

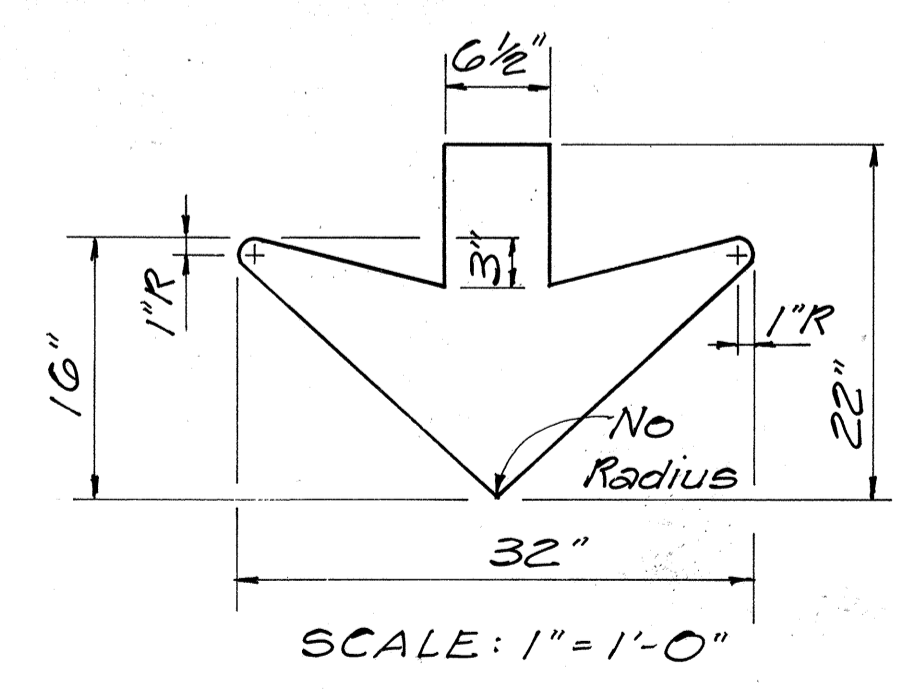
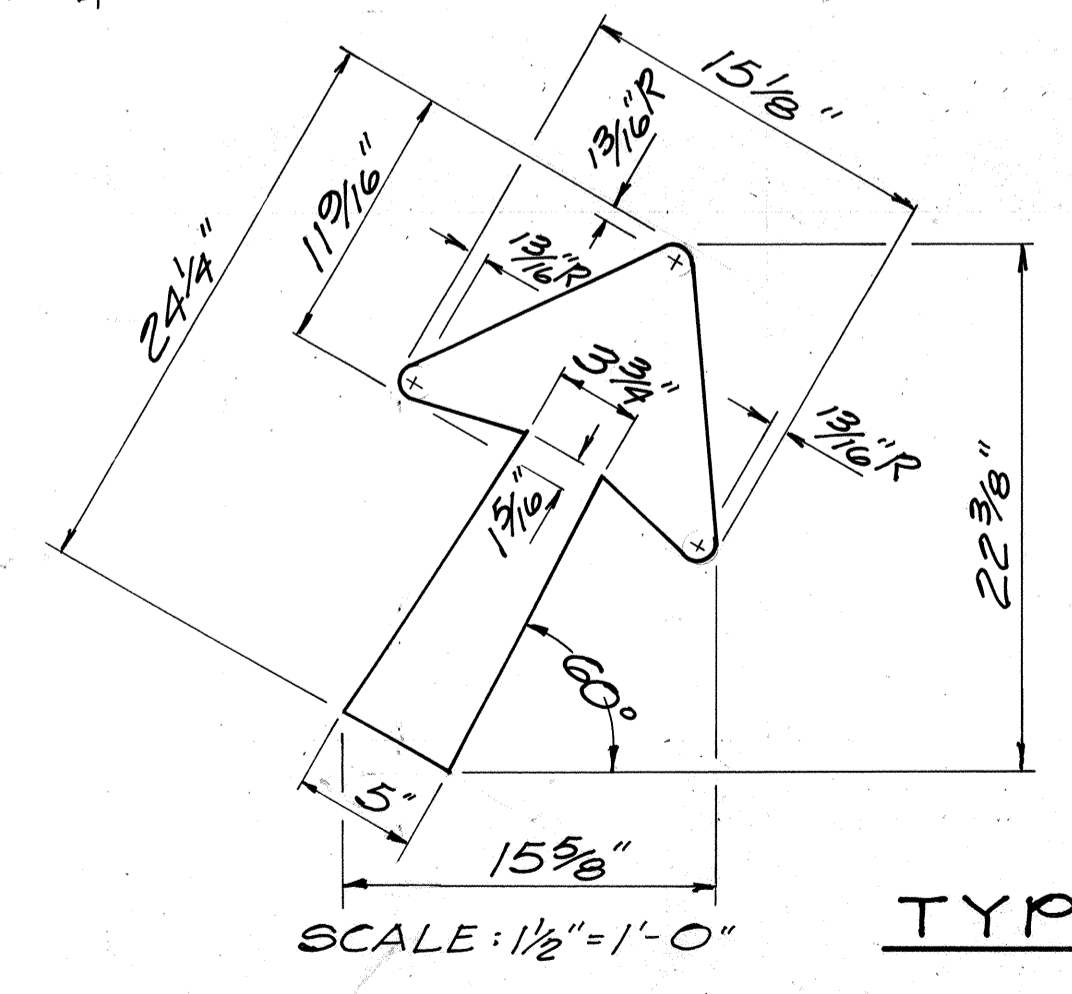
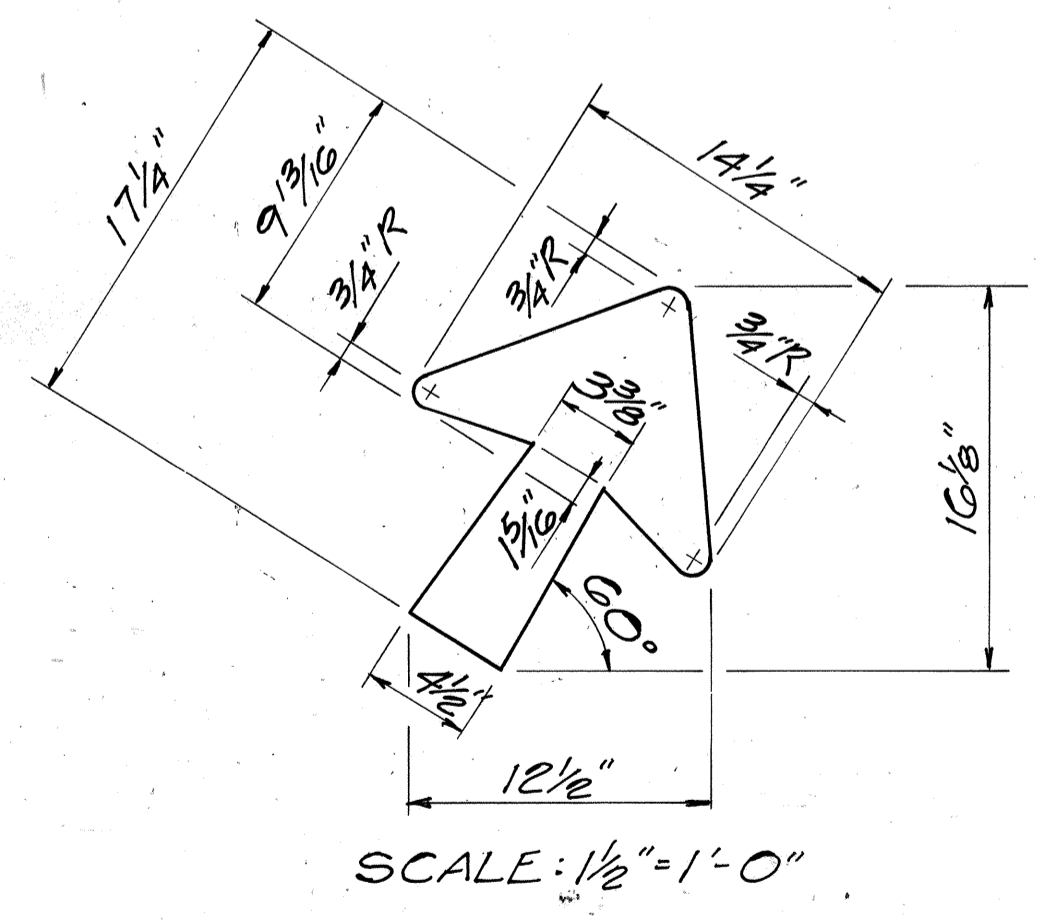
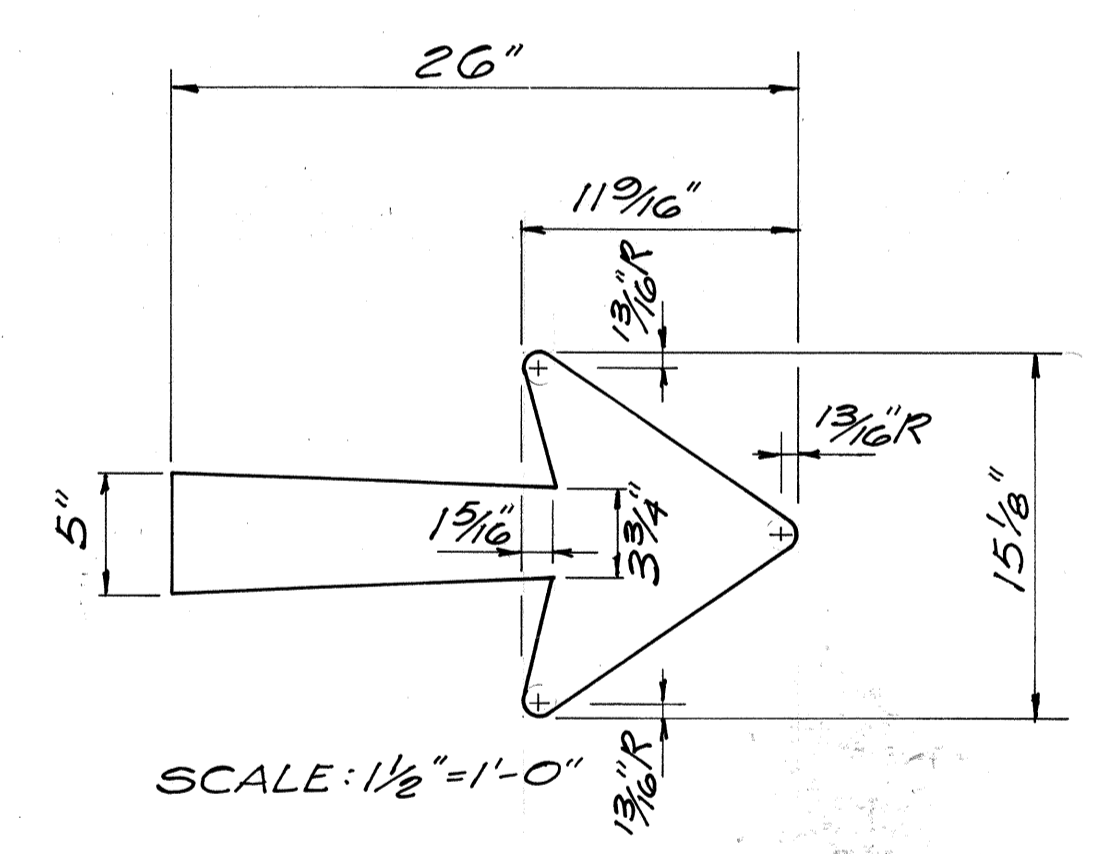
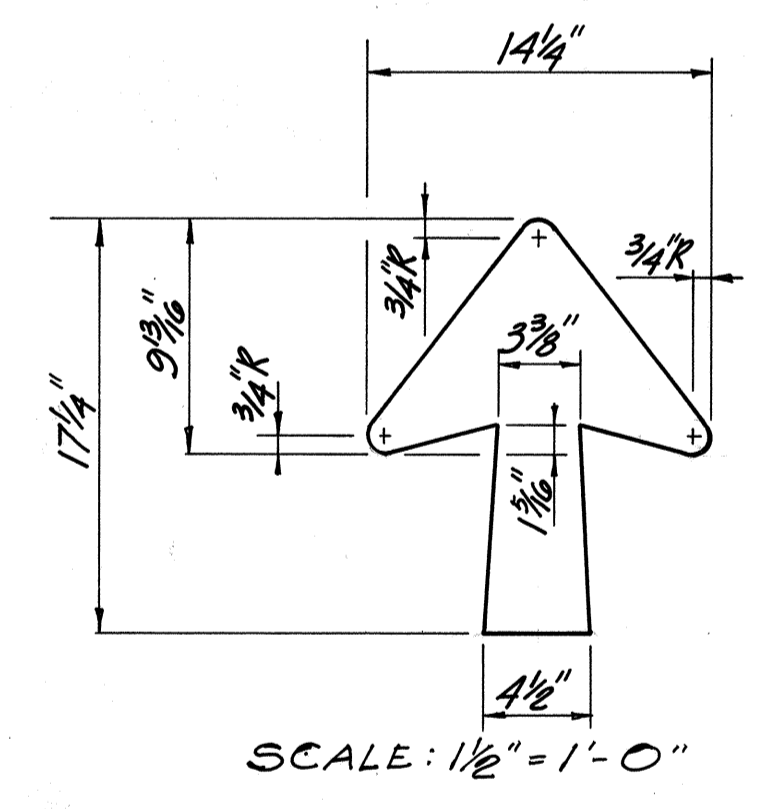
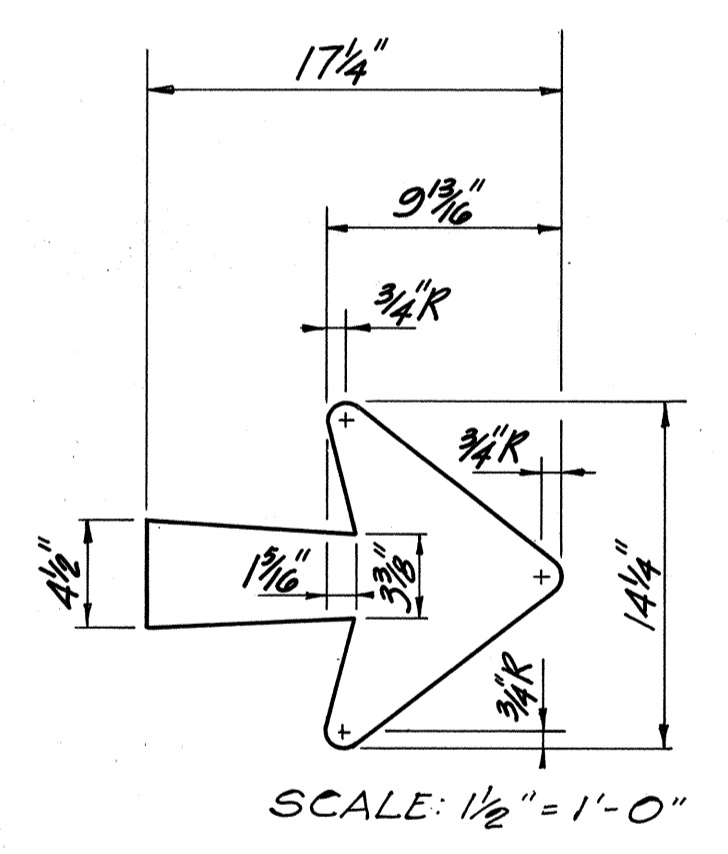
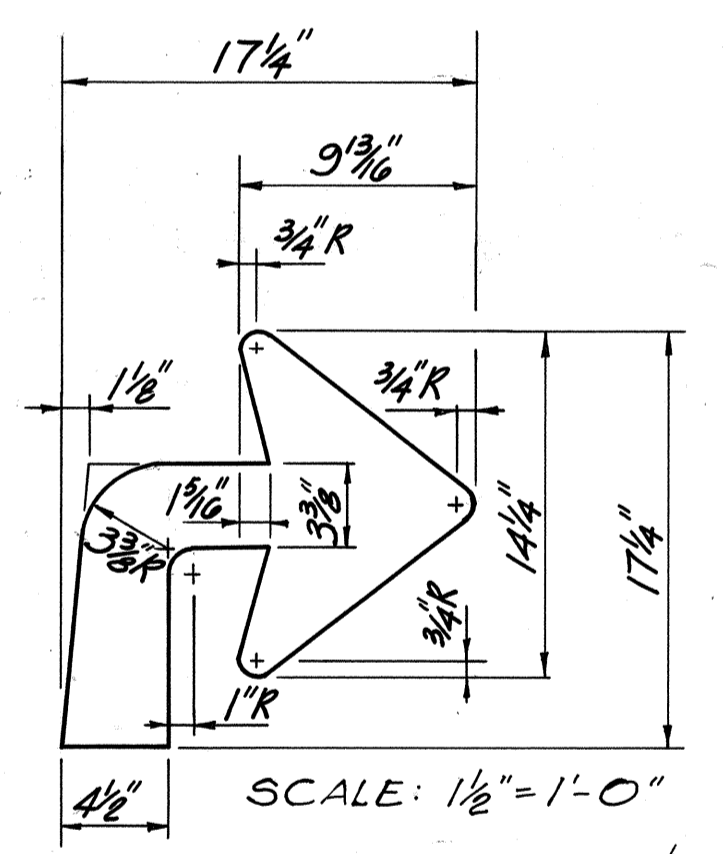
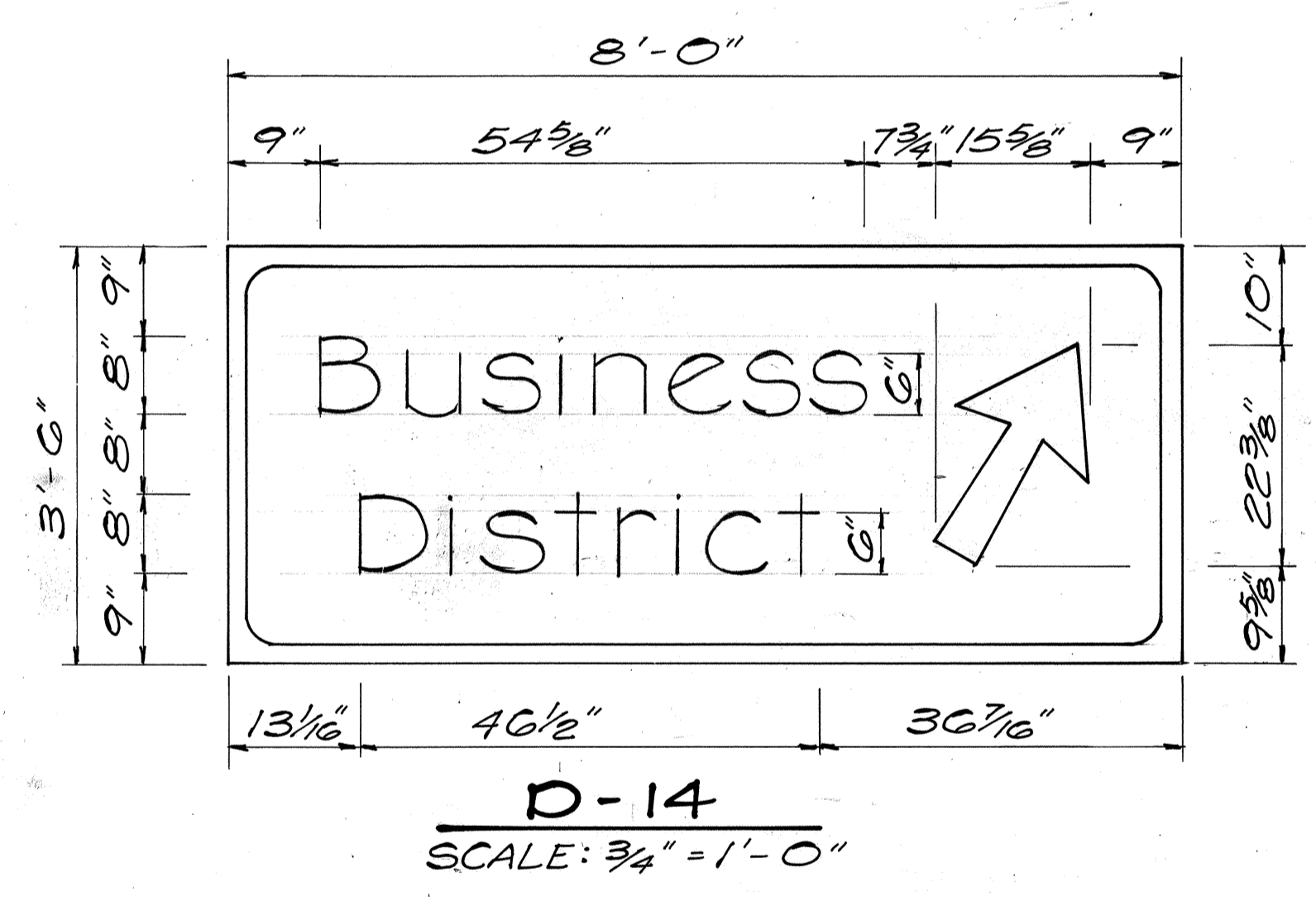
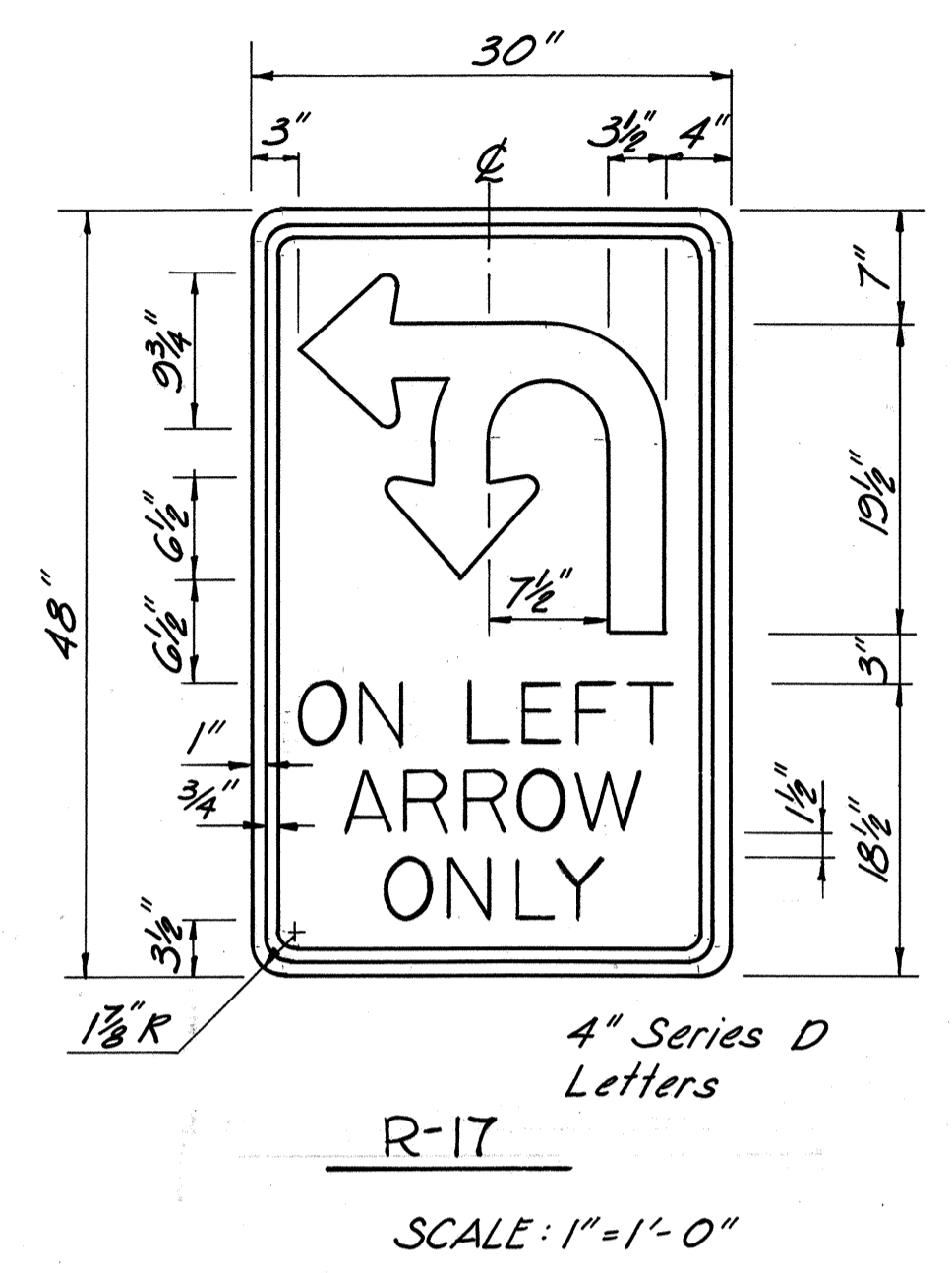
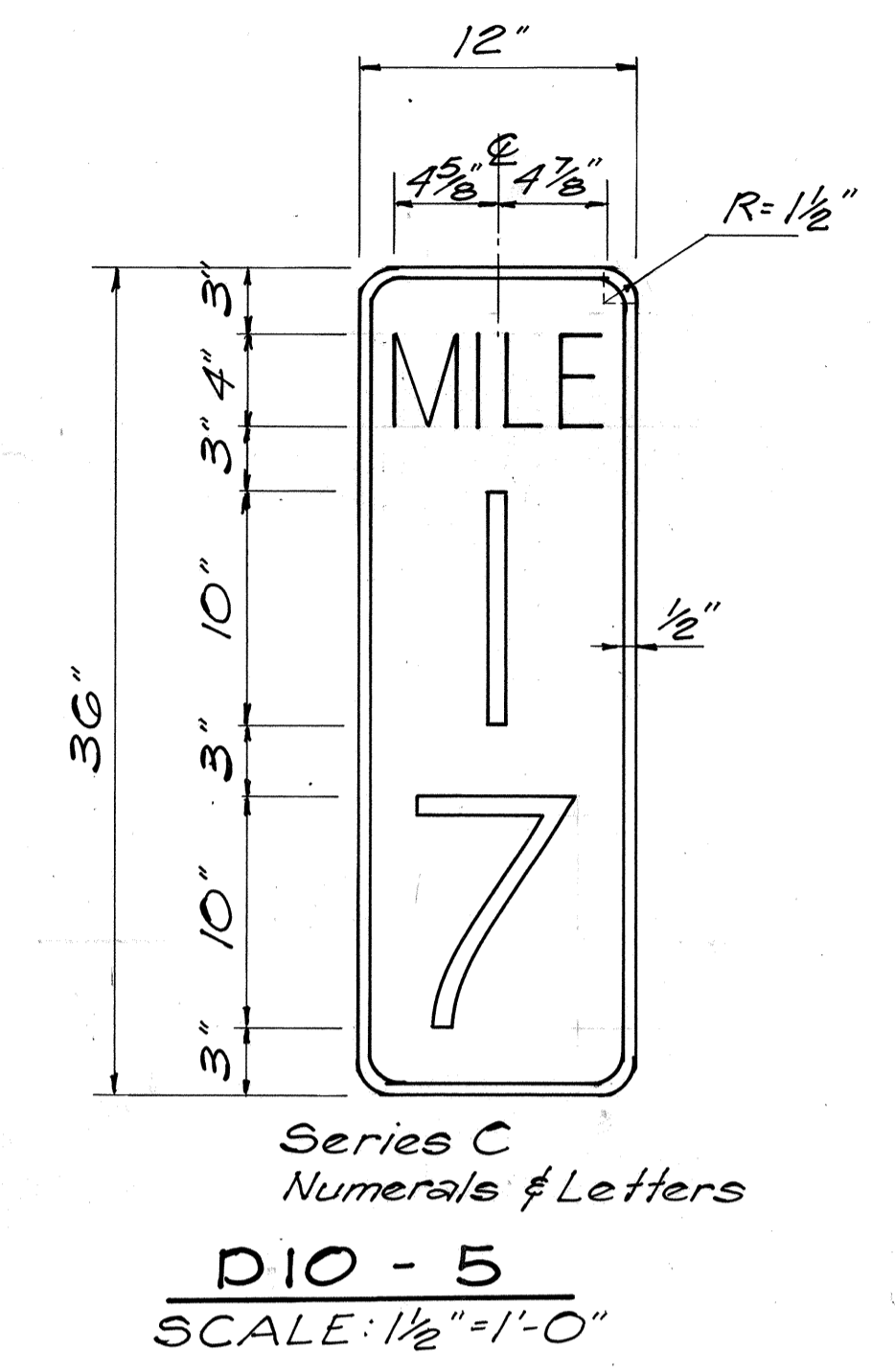
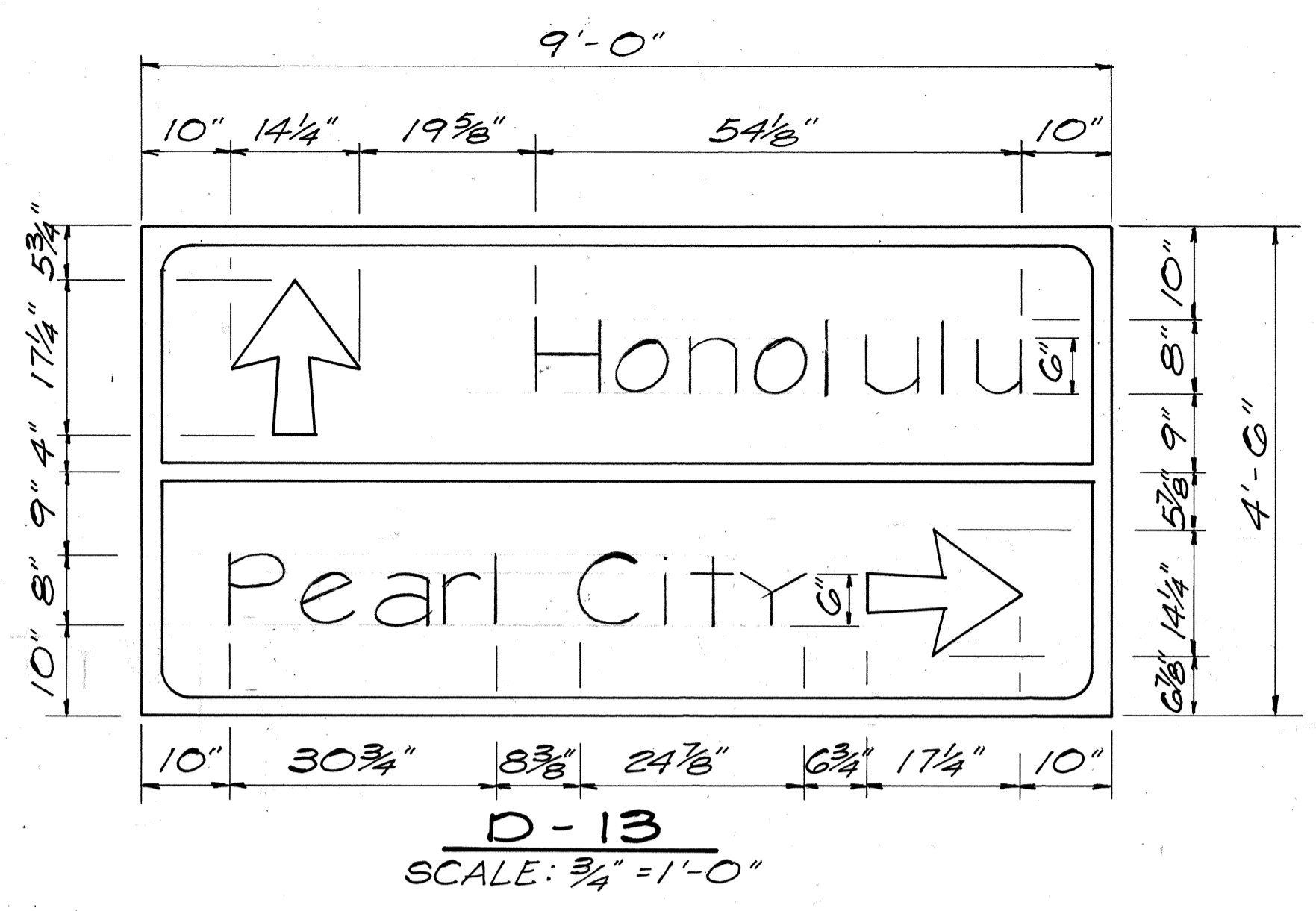
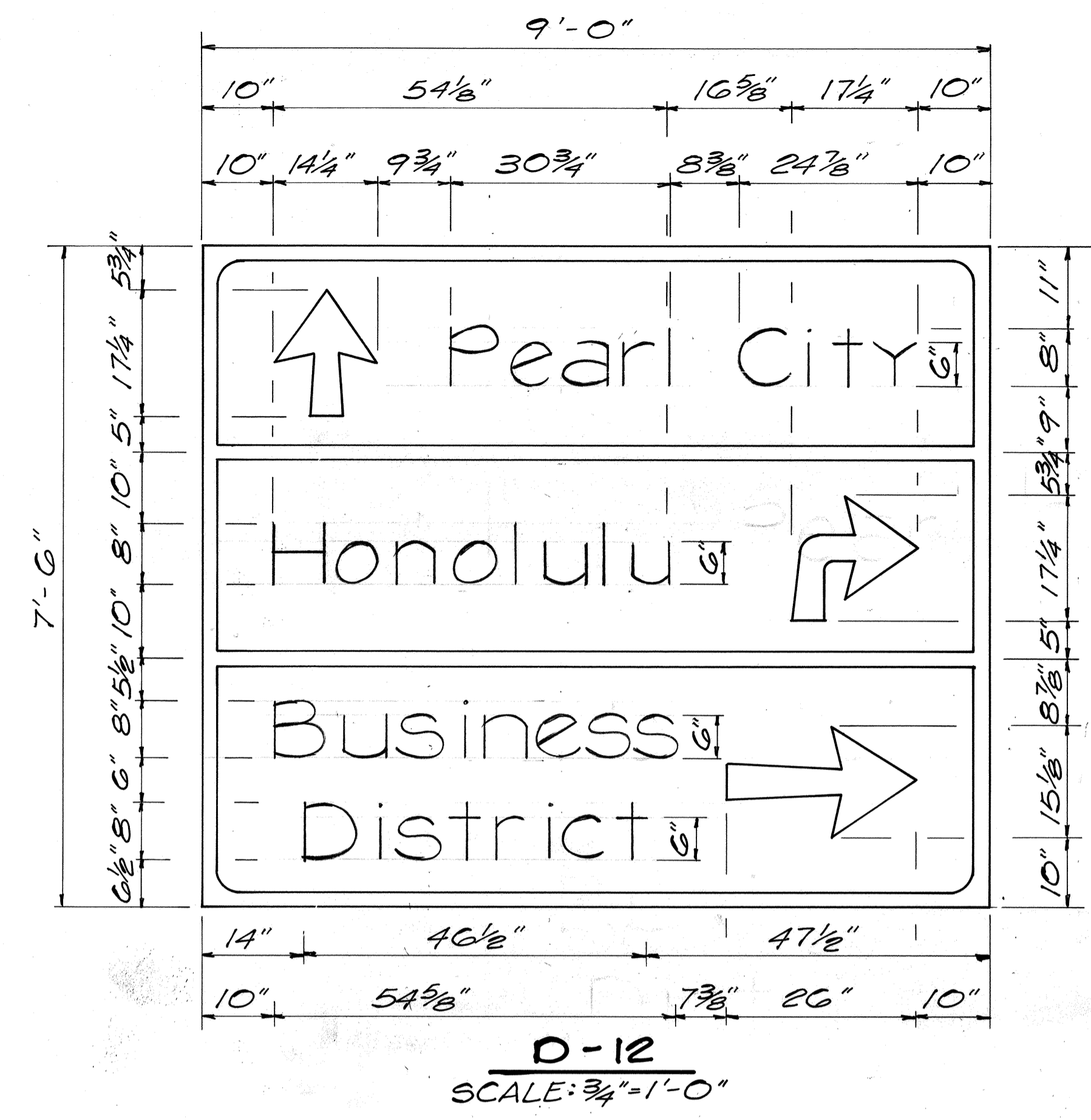
STATE OF HAWAII
DEPARTMENT OF TRANSPORTATION
HIGHWAYS DIVISION

PANEL AND FRAME LAYOUT

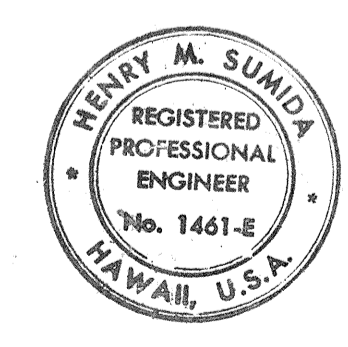
AIRPORT INTERCHANGE
F.A.I. PROJ. NO. I-HI-1(84):1G

SCALE: AS SHOWN DATE: JUNE 30, 1978
SHEET No. 56 OF 13 SHEETS

FED. ROAD DIST. NO.	STATE	FED. AID PROJ. NO.	FISCAL YEAR	SHEET NO.	TOTAL SHEETS
HAWAII	HAW.	I-HI-(84)16	1978	57	466



TYPICAL ARROW DETAIL



THIS WORK WAS PREPARED BY ME OR UNDER MY SUPERVISION.
Henry M. Sumida

STATE OF HAWAII
DEPARTMENT OF TRANSPORTATION
HIGHWAYS DIVISION

PANEL LAYOUT

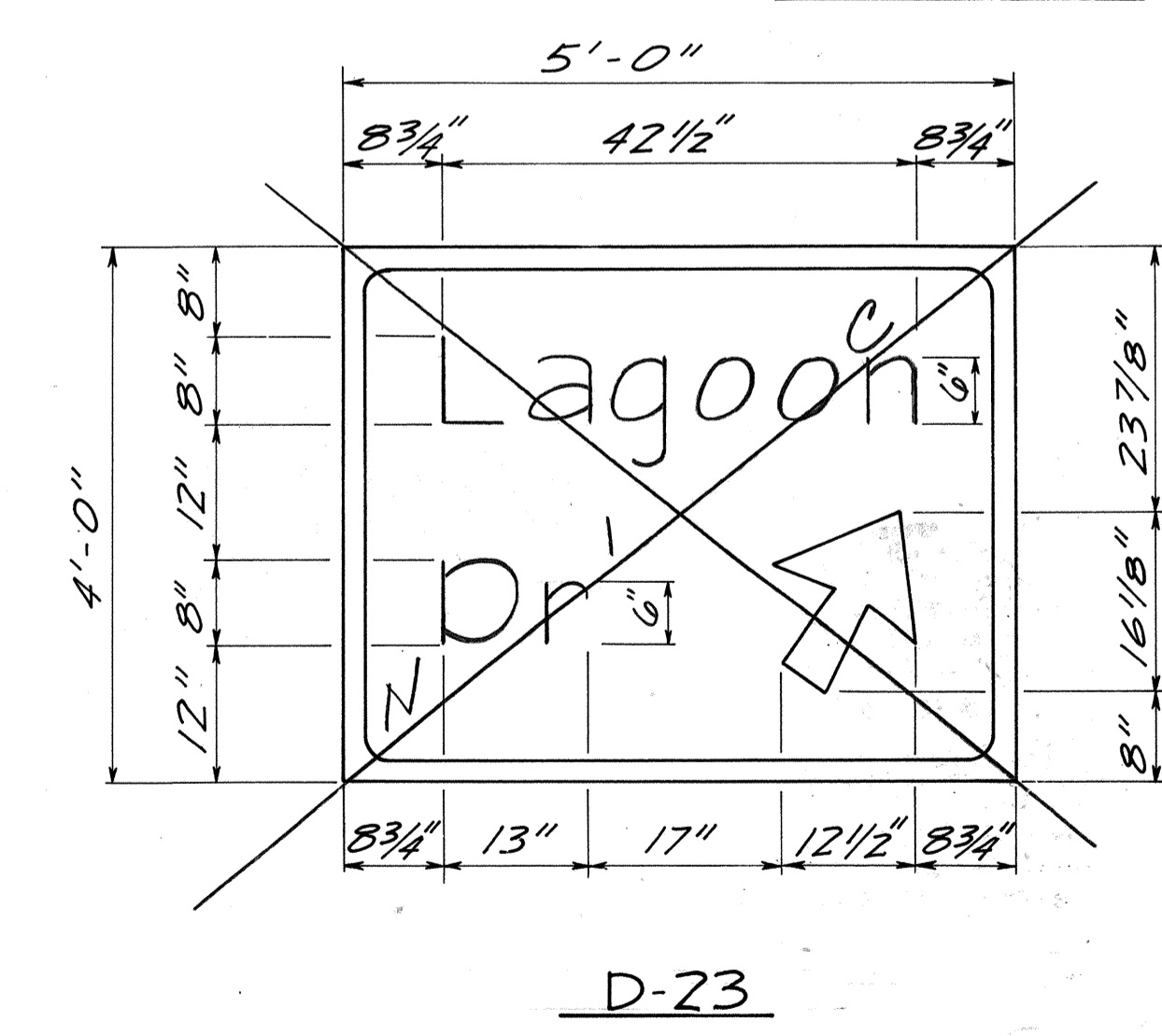
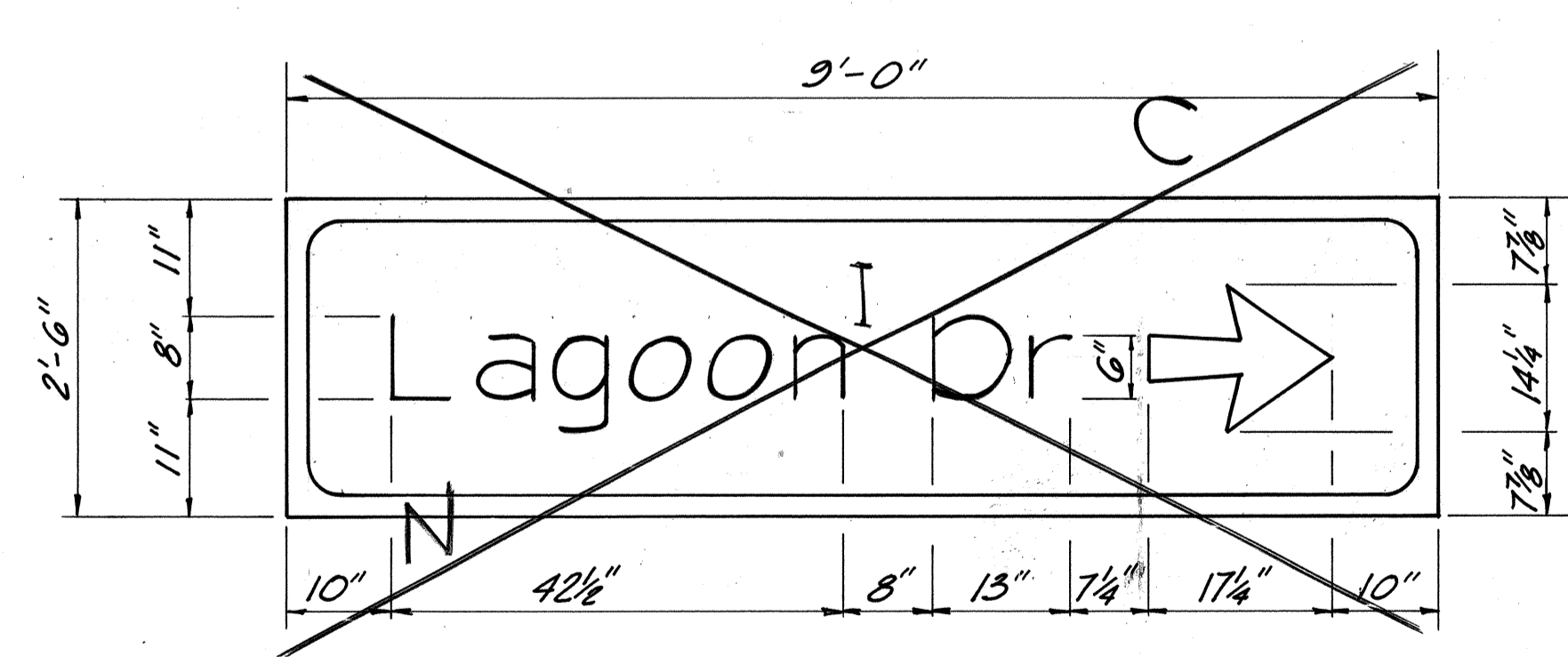
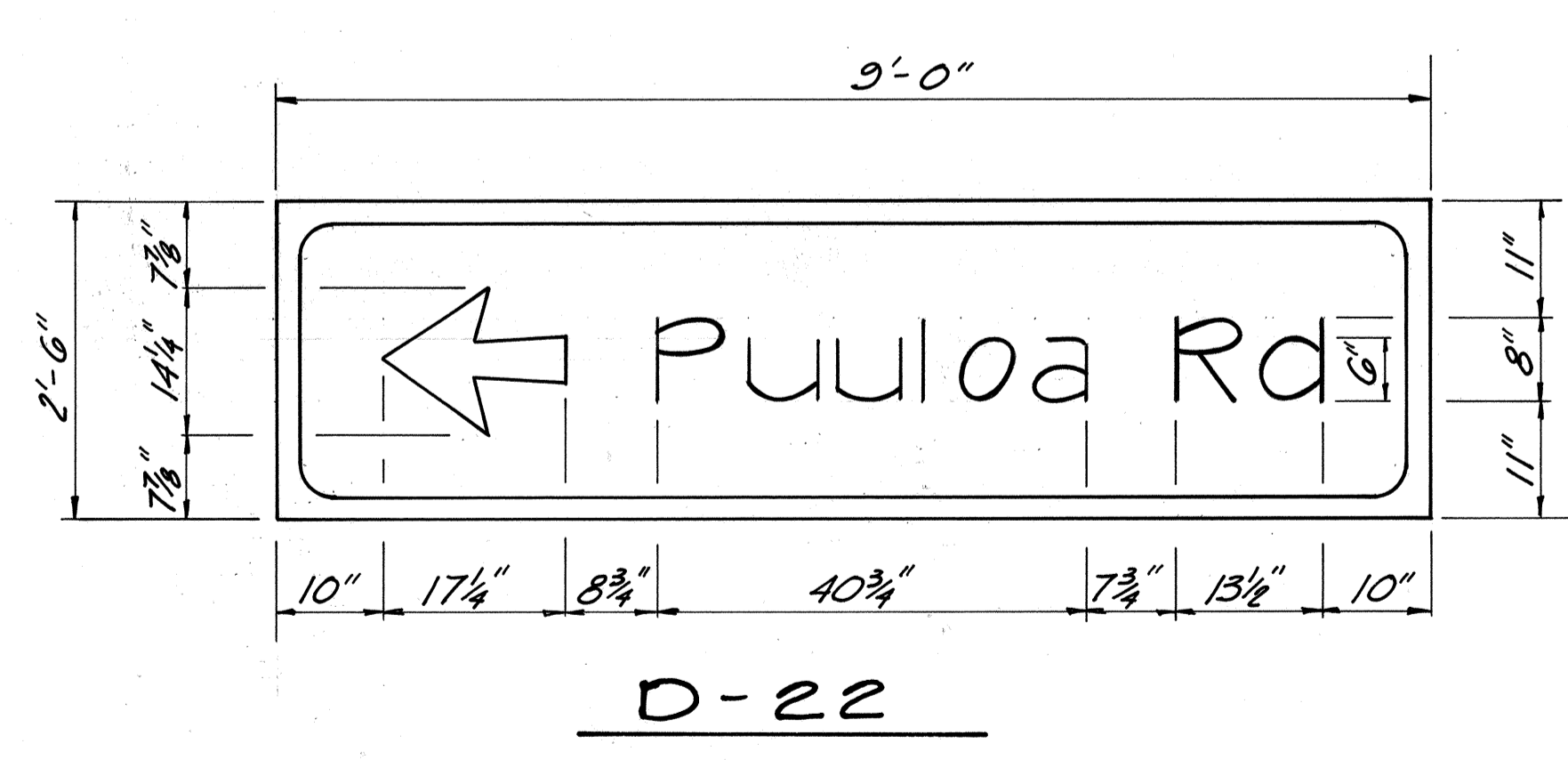
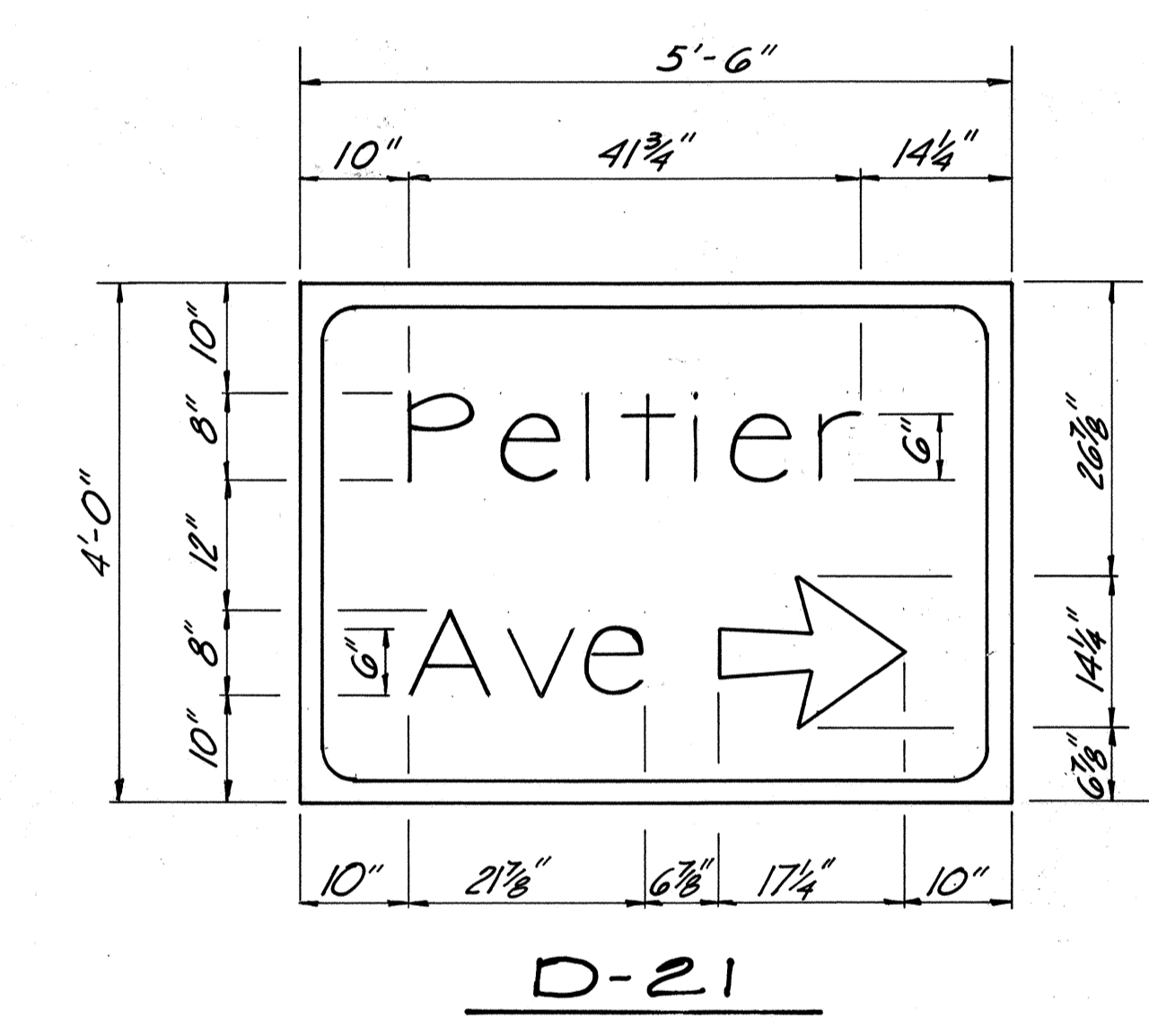
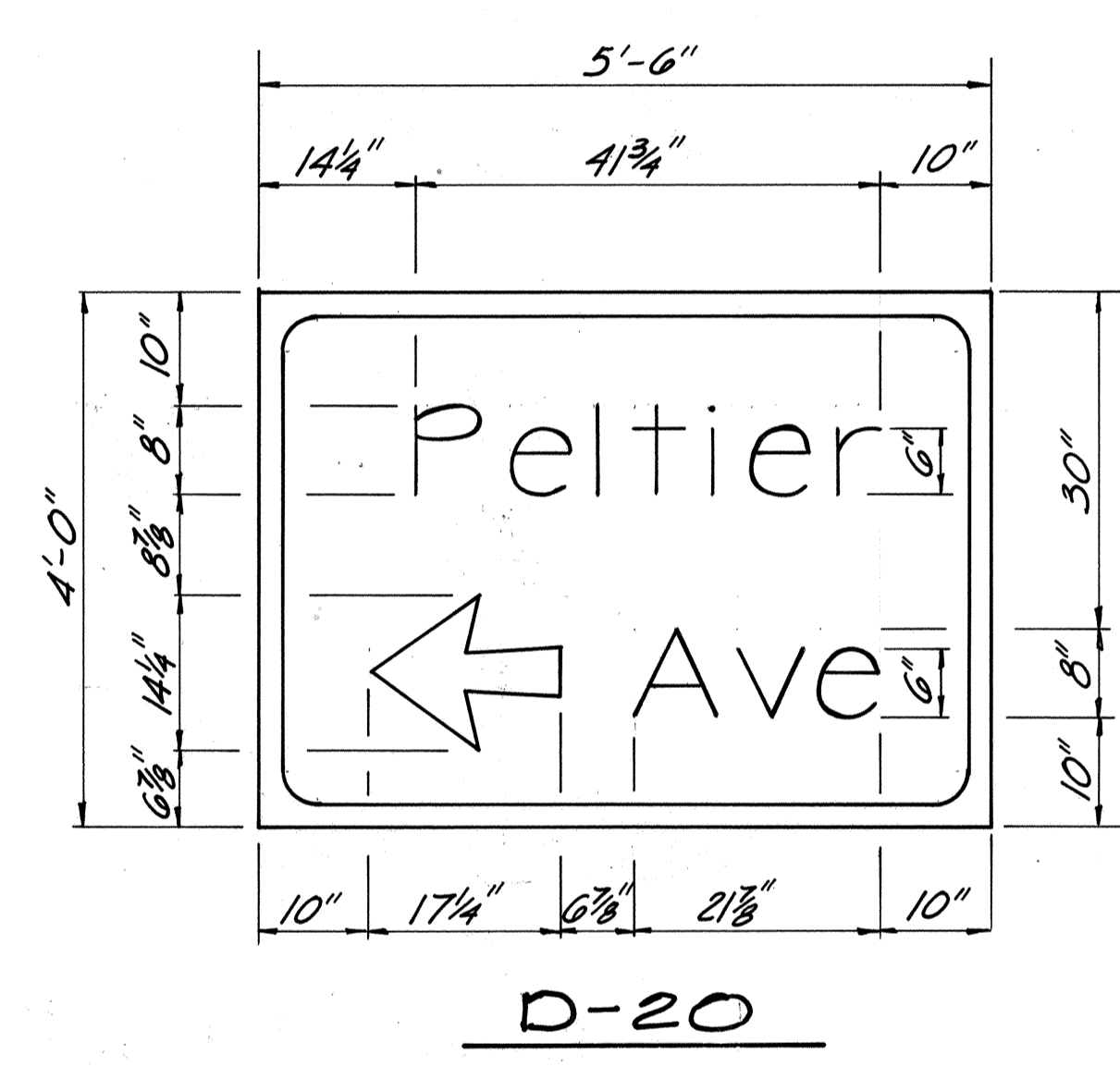
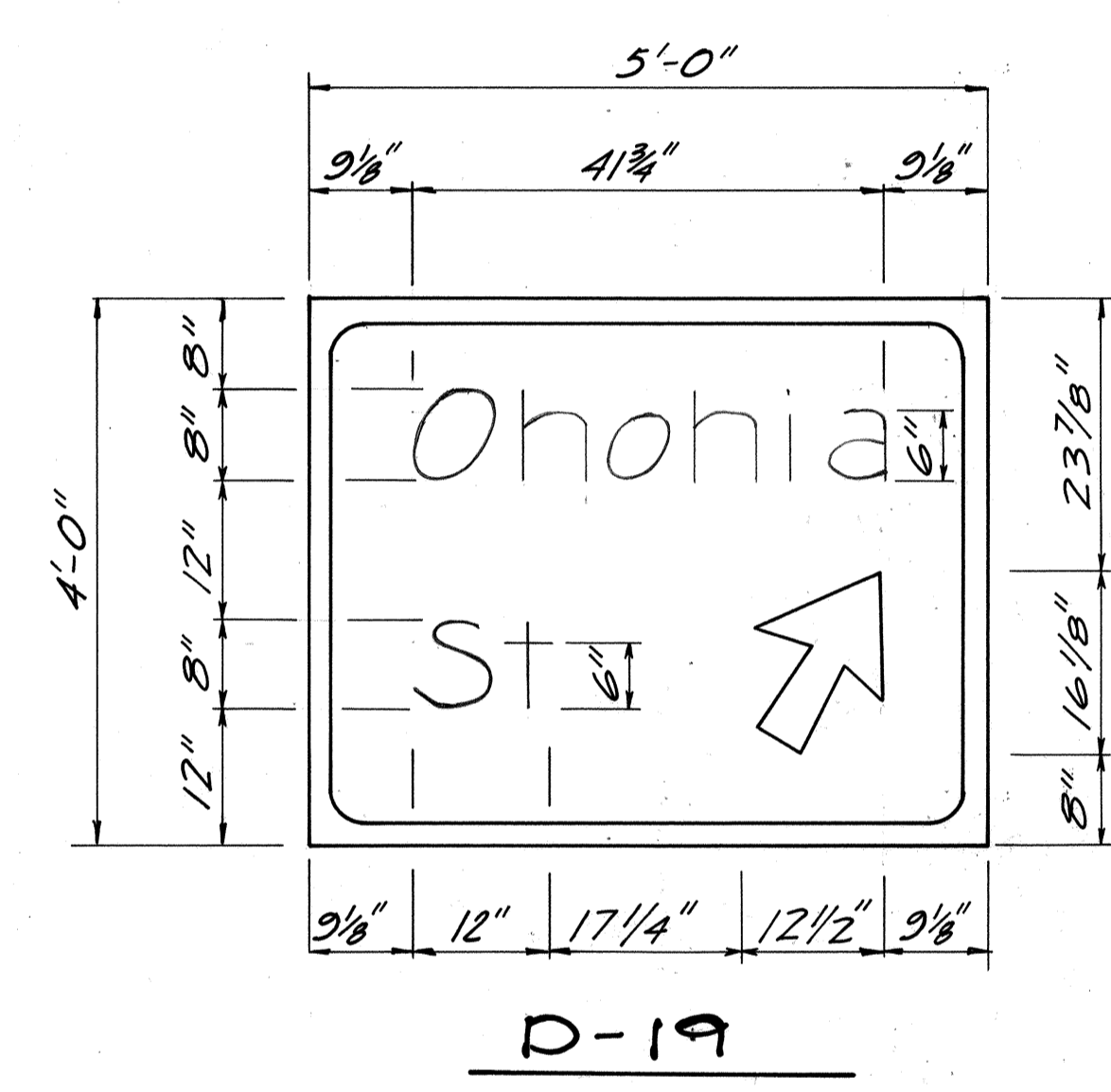
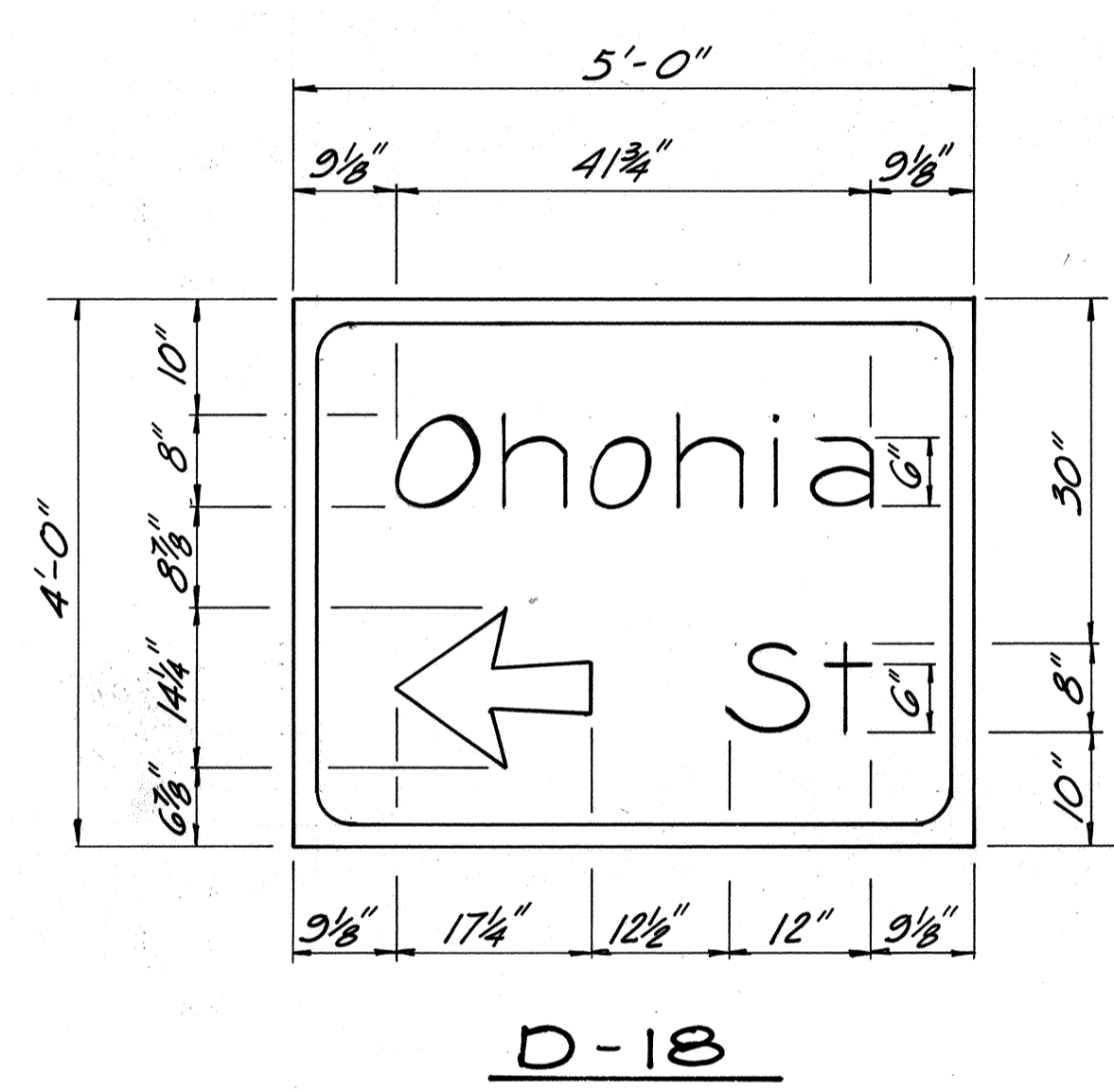
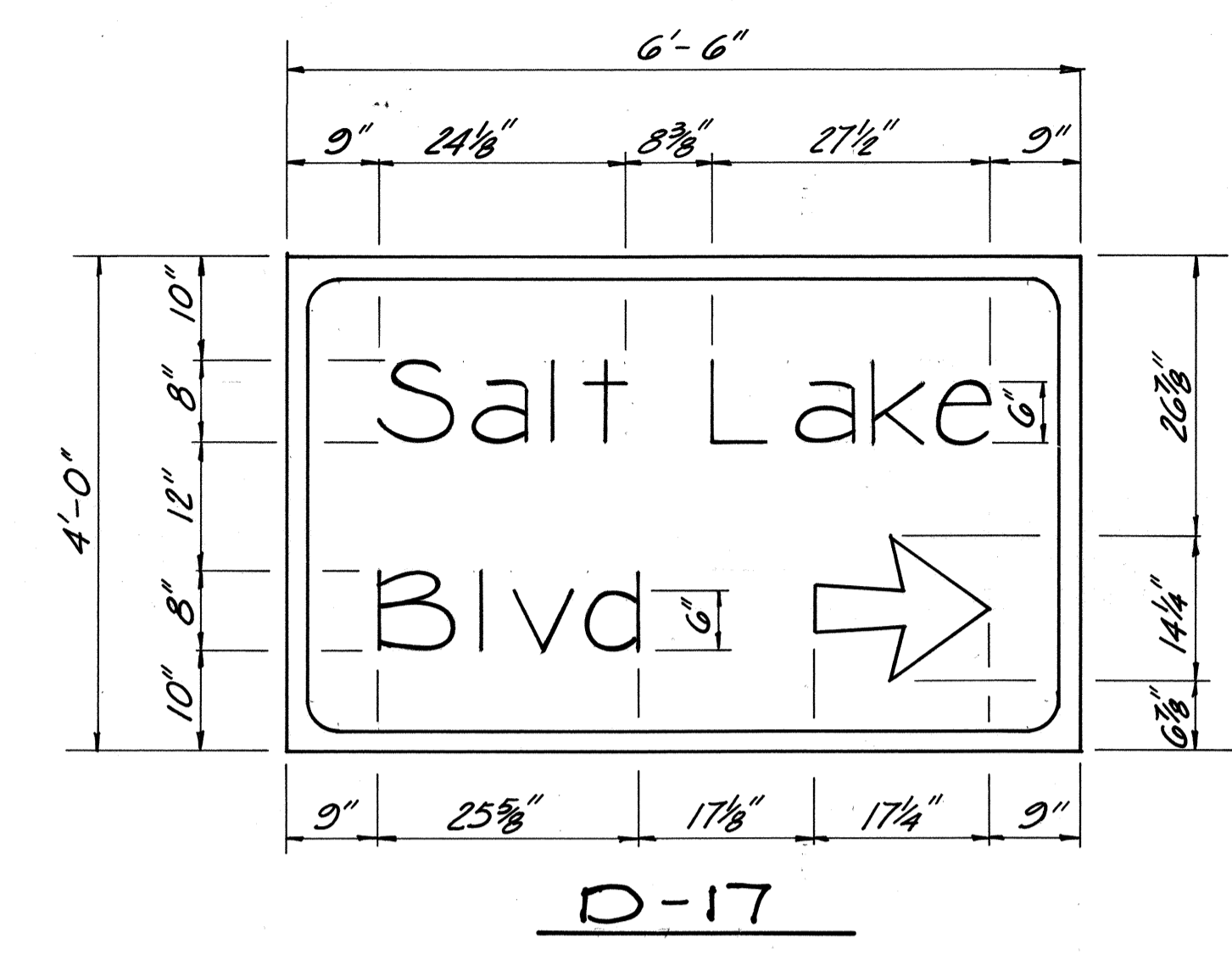
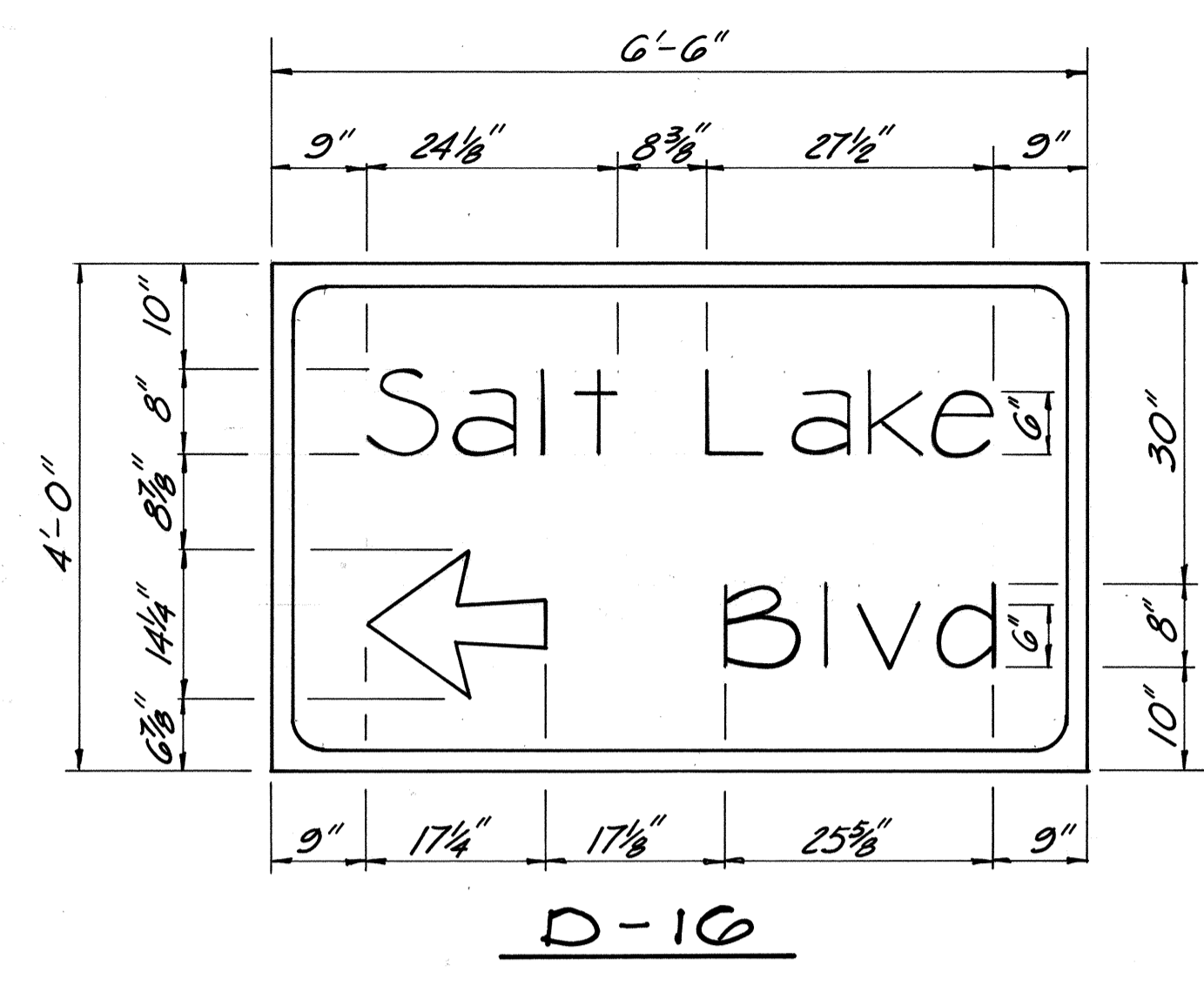
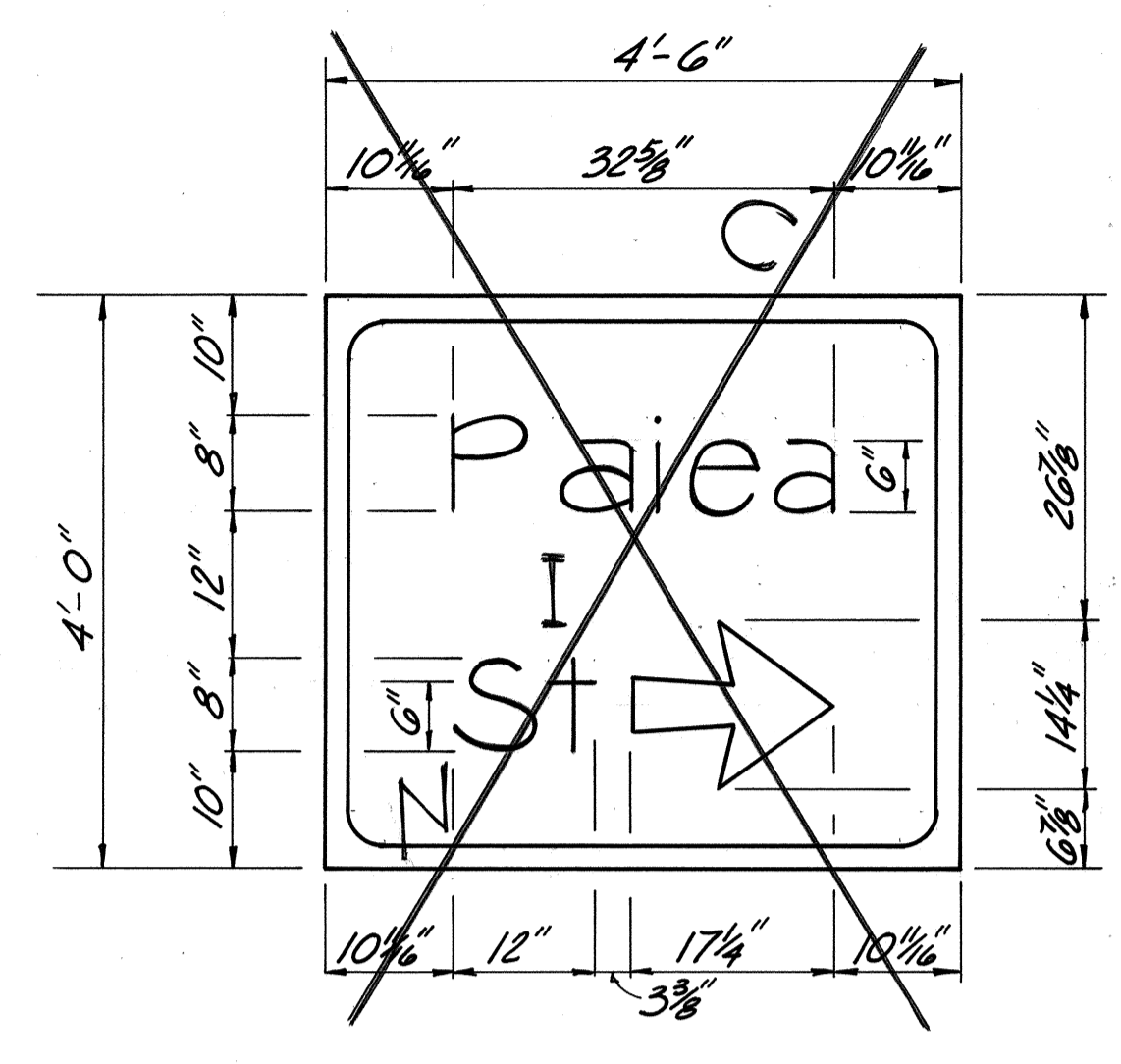
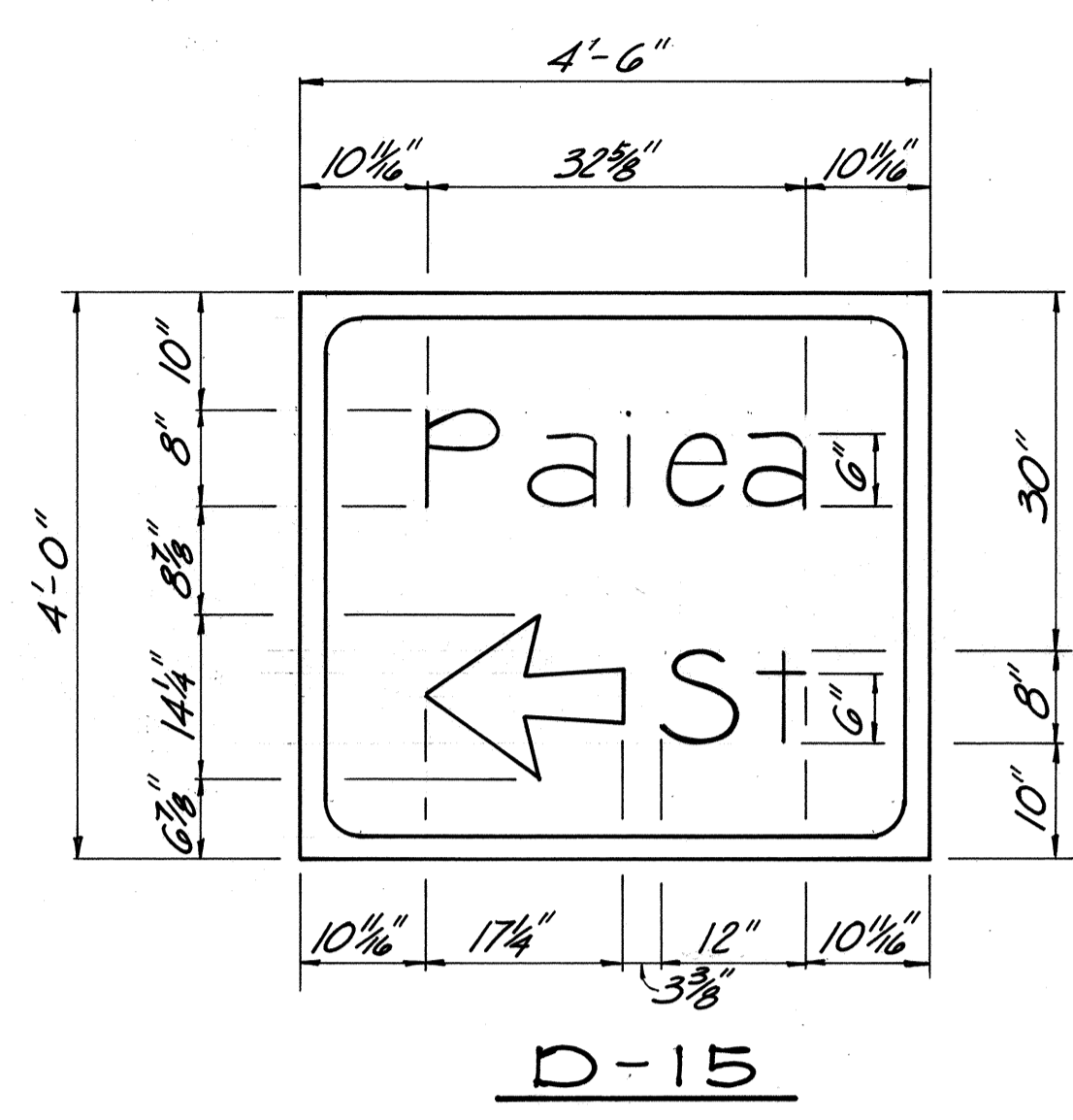
AIRPORT INTERCHANGE
F.A.I. PROJ. NO. I-HI-(84)16

SCALE: AS SHOWN DATE: AUG. 9, 1977

SHEET No. 558 OF 13 SHEETS

DATE
DESIGNED BY
CHECKED BY
NO.

FED. ROAD DIST. NO.	STATE	FED. AID PROJ. NO.	FISCAL YEAR	SHEET NO.	TOTAL SHEETS
HAWAII	HAW.	IHI-1(84)16	1978	58	466



DATE	
DESIGNED BY	
CHECKED BY	
NO.	



THIS WORK WAS PREPARED BY ME OR UNDER MY SUPERVISION
Henry M. Sumida

STATE OF HAWAII
DEPARTMENT OF TRANSPORTATION
HIGHWAYS DIVISION

PANEL LAYOUT

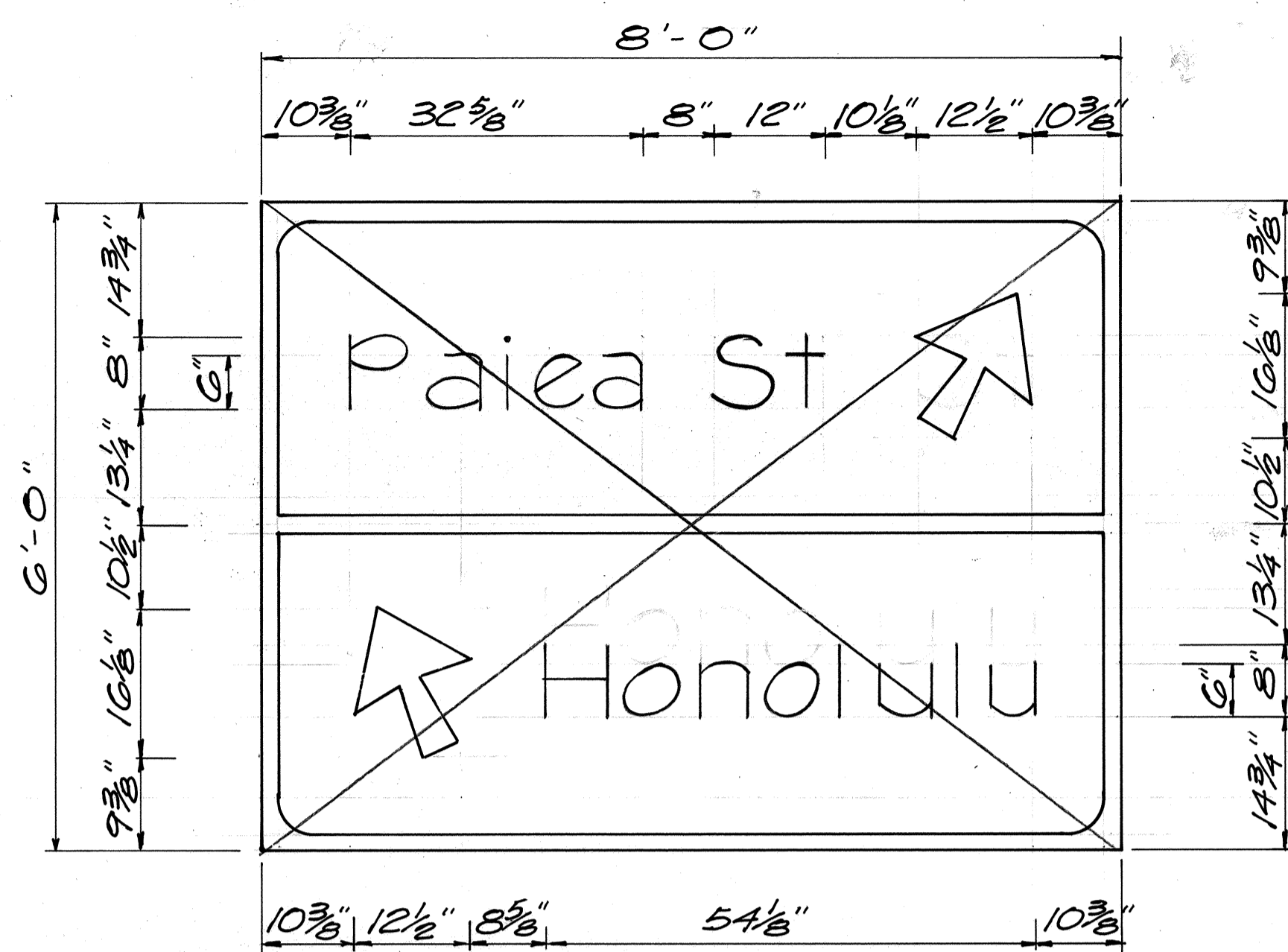
AIRPORT INTERCHANGE
F.A.I. PROJ. NO. I-HI-1(84)16

SCALE: 3/4"=1'-0" DATE: JUNE 30, 1978

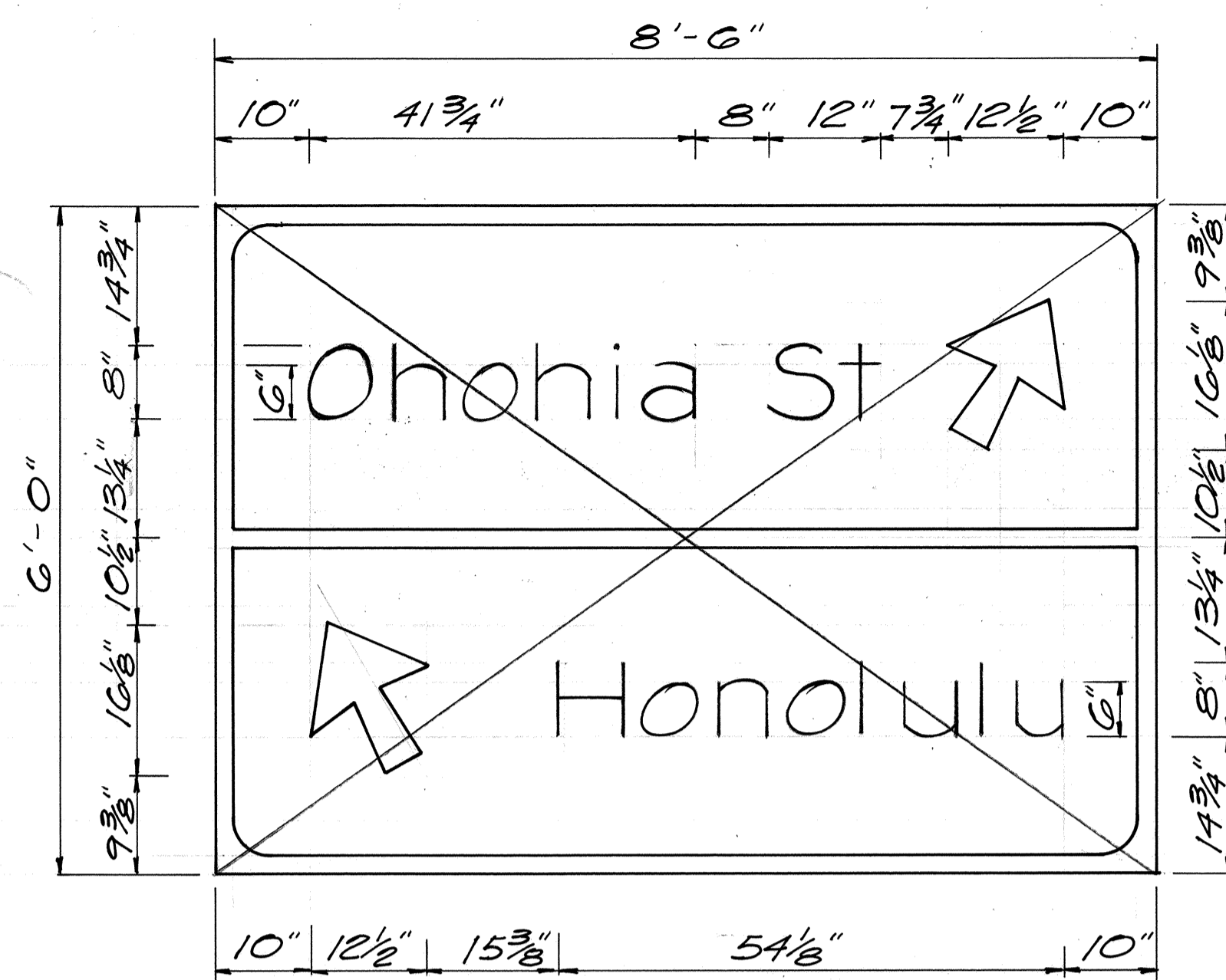
SHEET No. 55 OF 13 SHEETS

NO.	DATE	REVISION
1	9-25-80	Delete Sign D-23

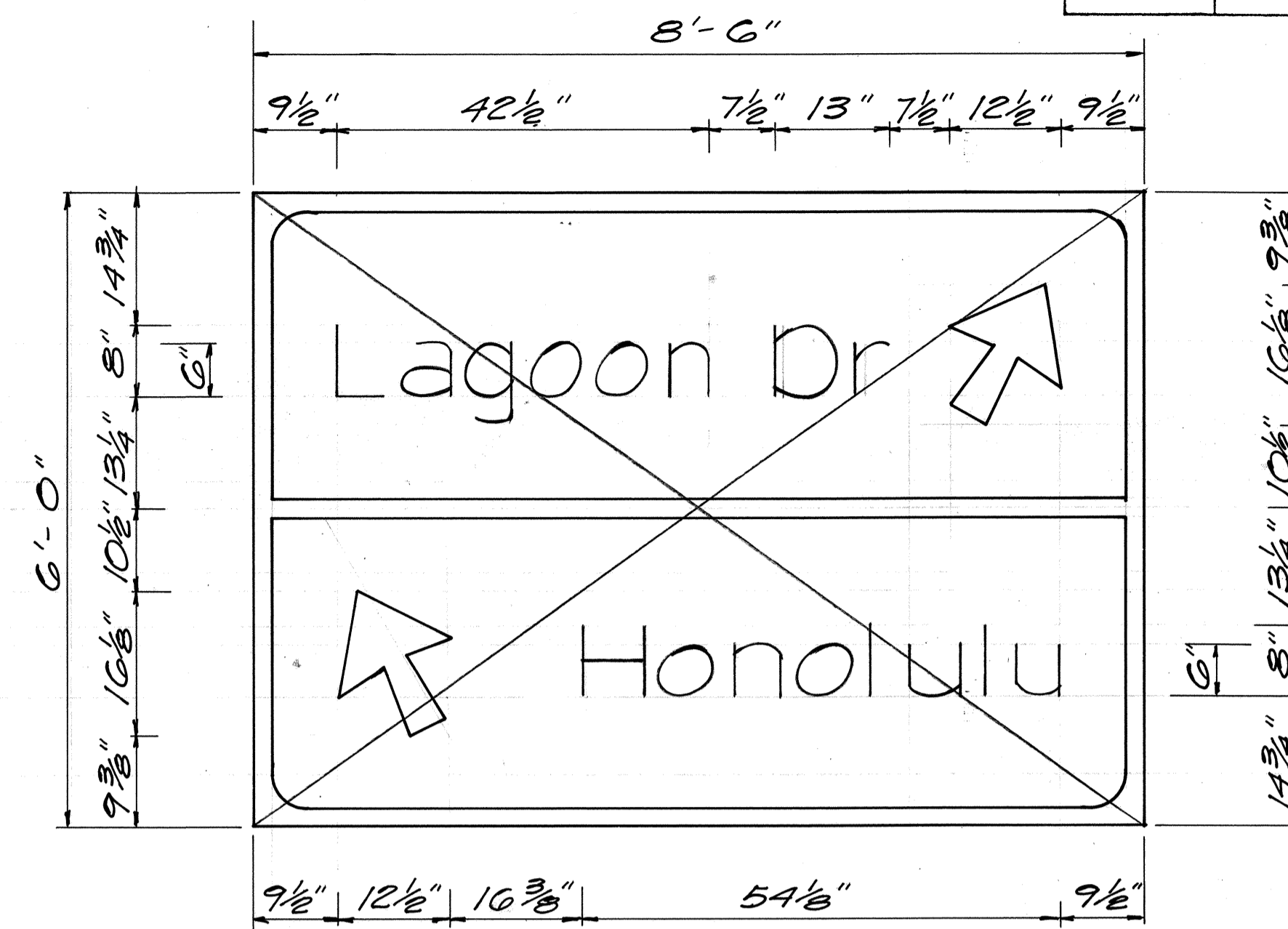
FED. ROAD DIST. NO.	STATE	FED. AID PROJ. NO.	FISCAL YEAR	SHEET NO.	TOTAL SHEETS
HAWAII	HAW.	I-HI-1(84)-16	1978	59	466



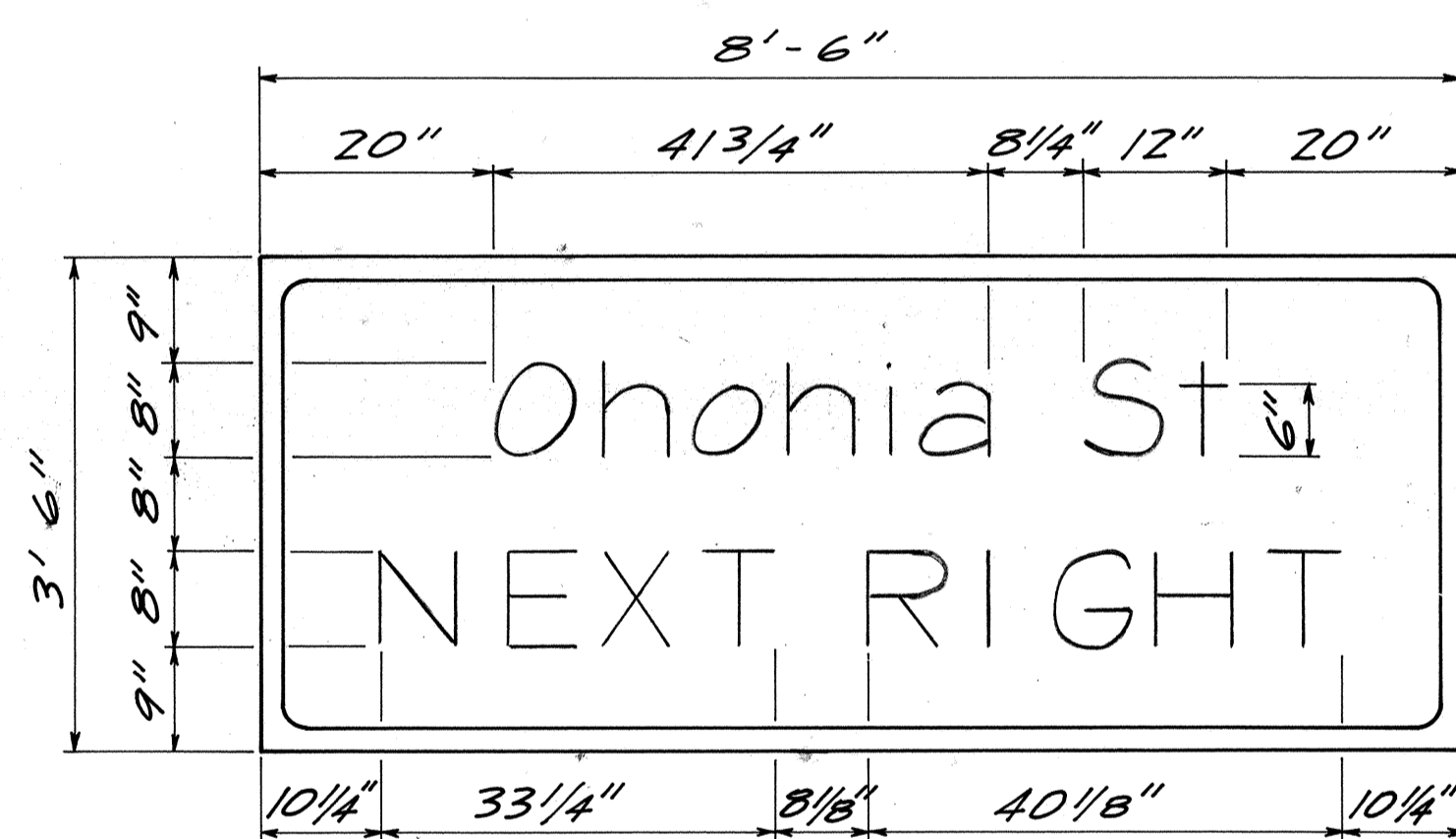
D-24
SCALE: 3/4" = 1'-0" (TYP)



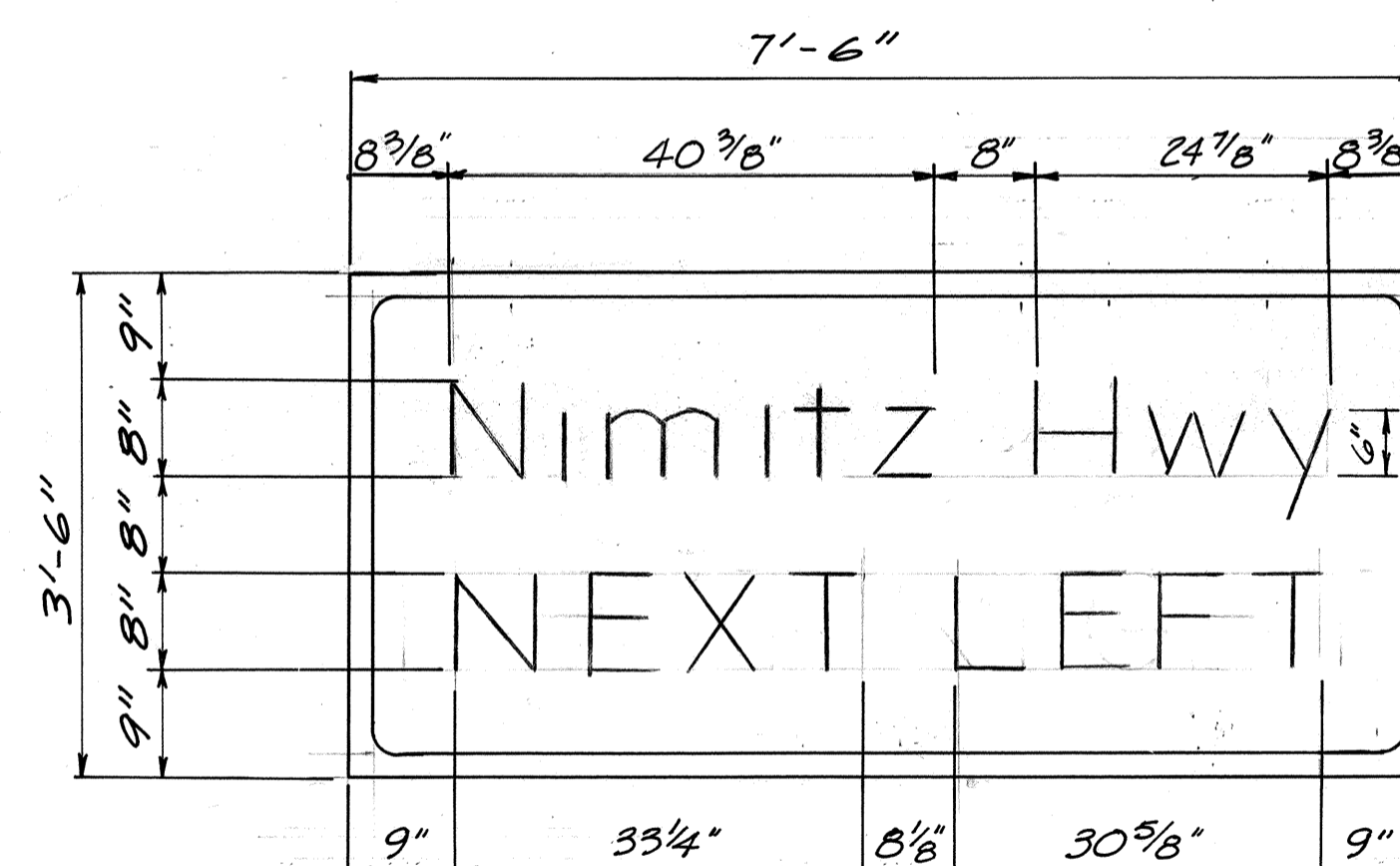
D-25



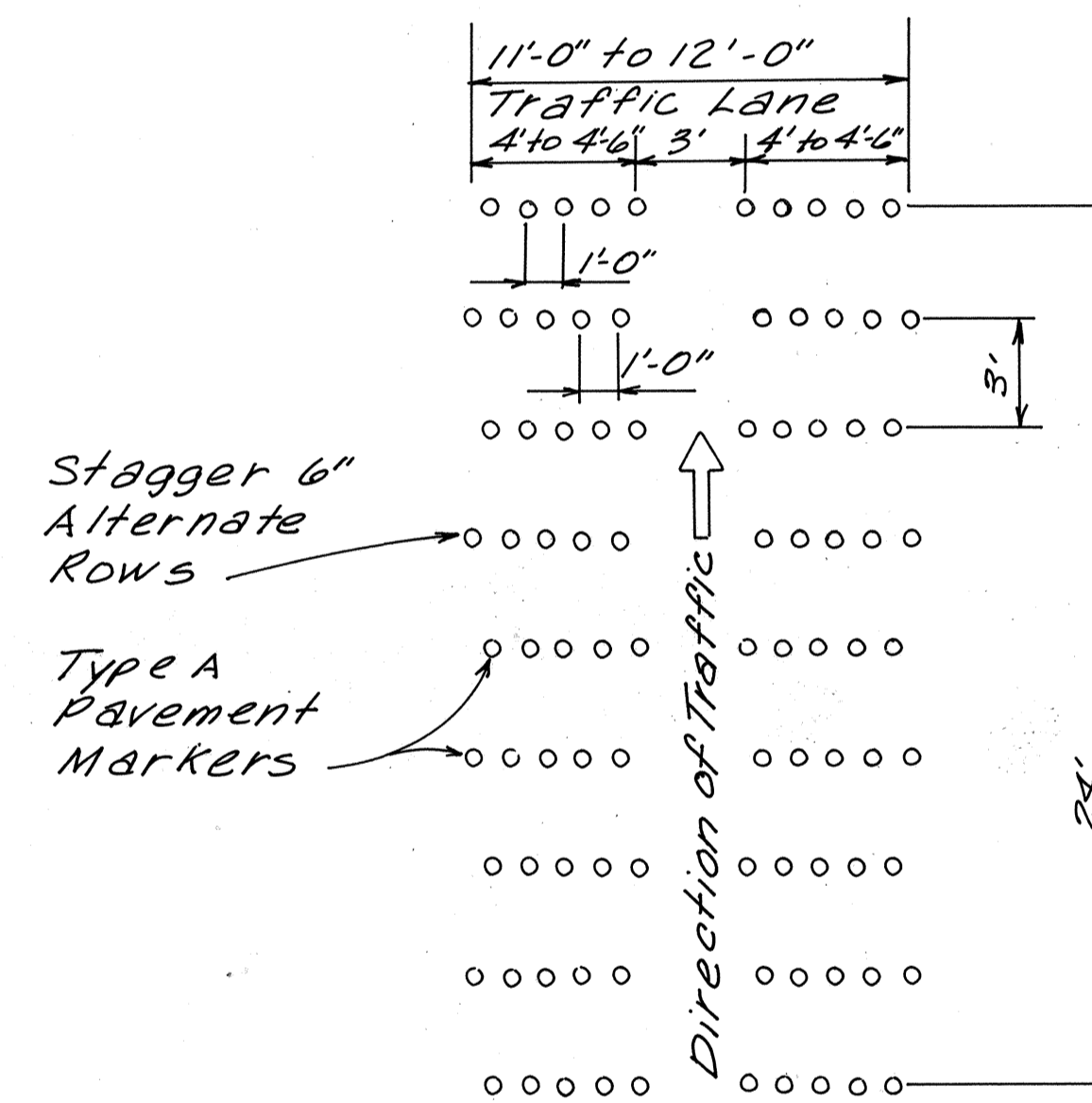
D-26



D-27

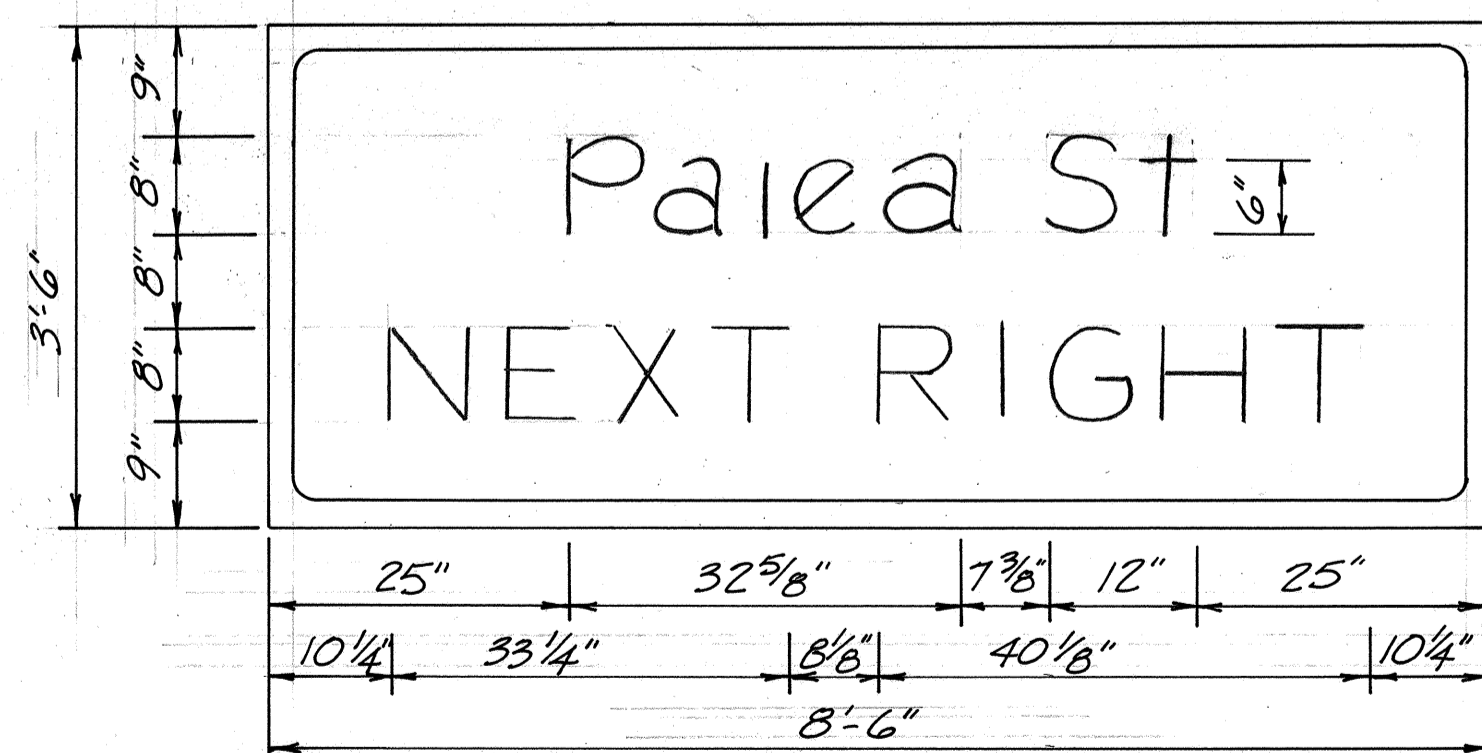


D-30

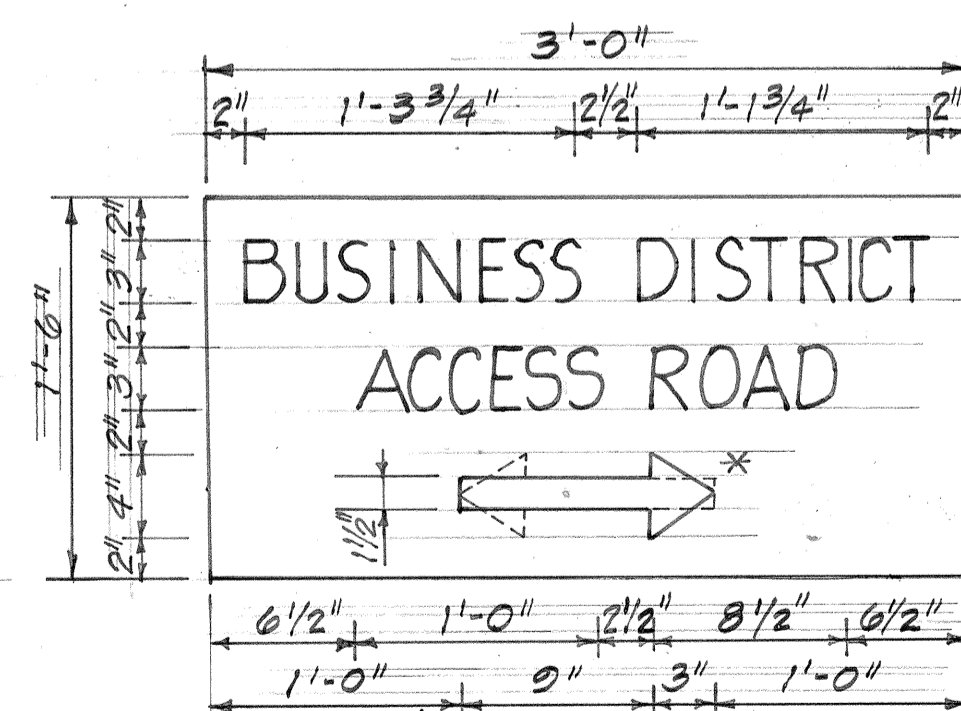


D-31

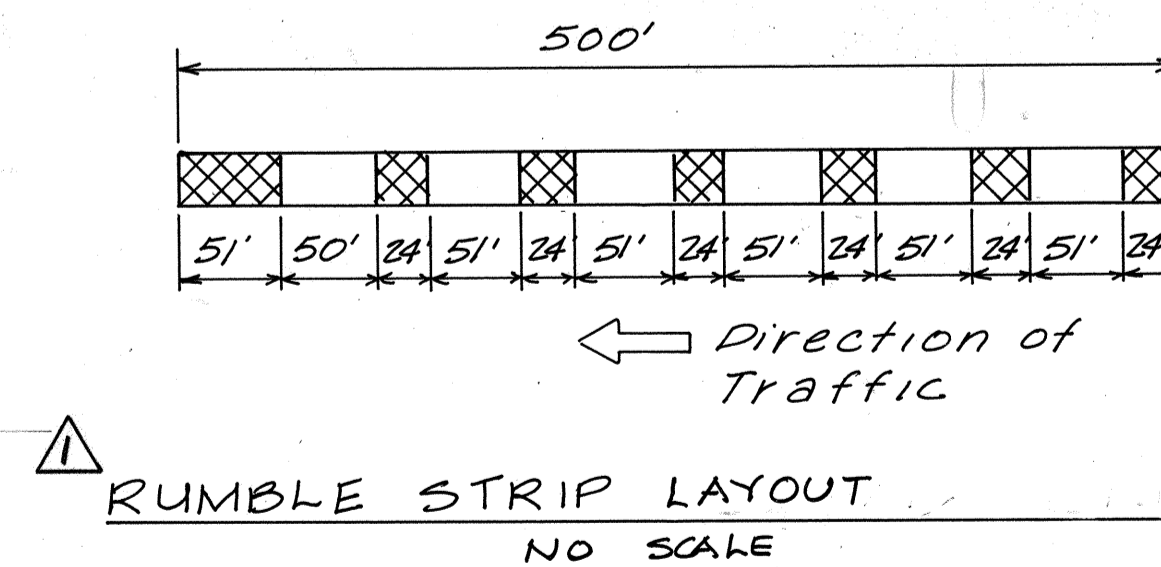
TYPICAL RUMBLE STRIP DETAIL
SCALE: 1" = 5'



D-29



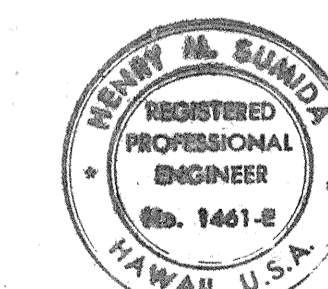
* Arrow - Left, Right or Both Directions as Directed



RUMBLE STRIP LAYOUT
NO SCALE

Note: Rumble strip to be paid for under item no. 629.2010, Type A Pavement Markers.

DATE	
DESIGNED BY	
CHECKED BY	
QUANTITIES BY	
NOTED BY	
ORIGINAL PLAN	
NO.	



THIS WORK WAS PREPARED BY ME OR UNDER MY SUPERVISION

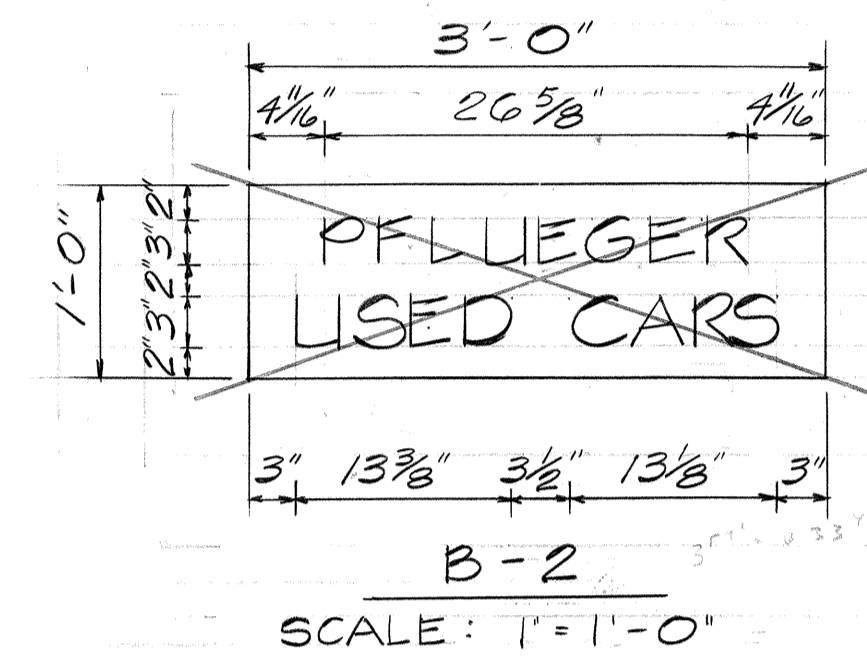
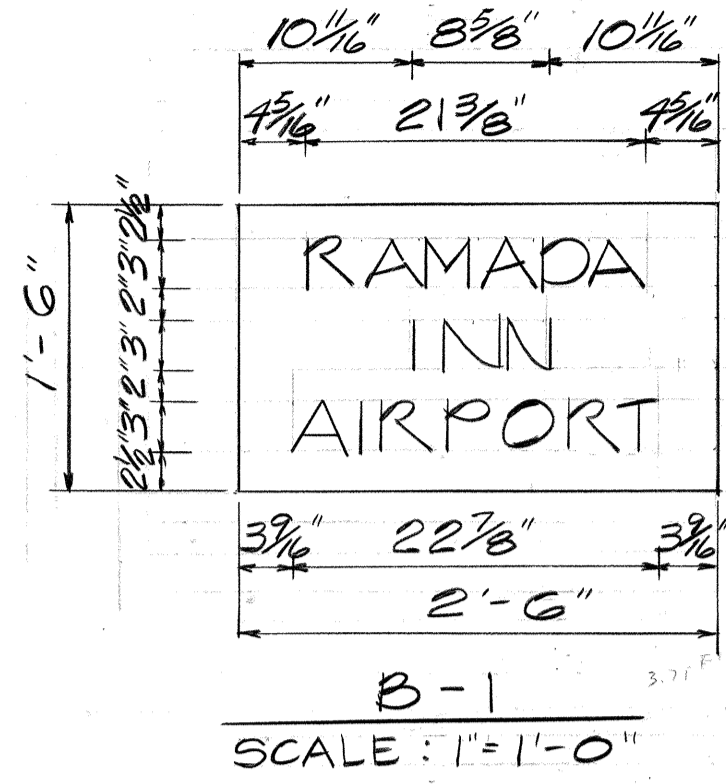
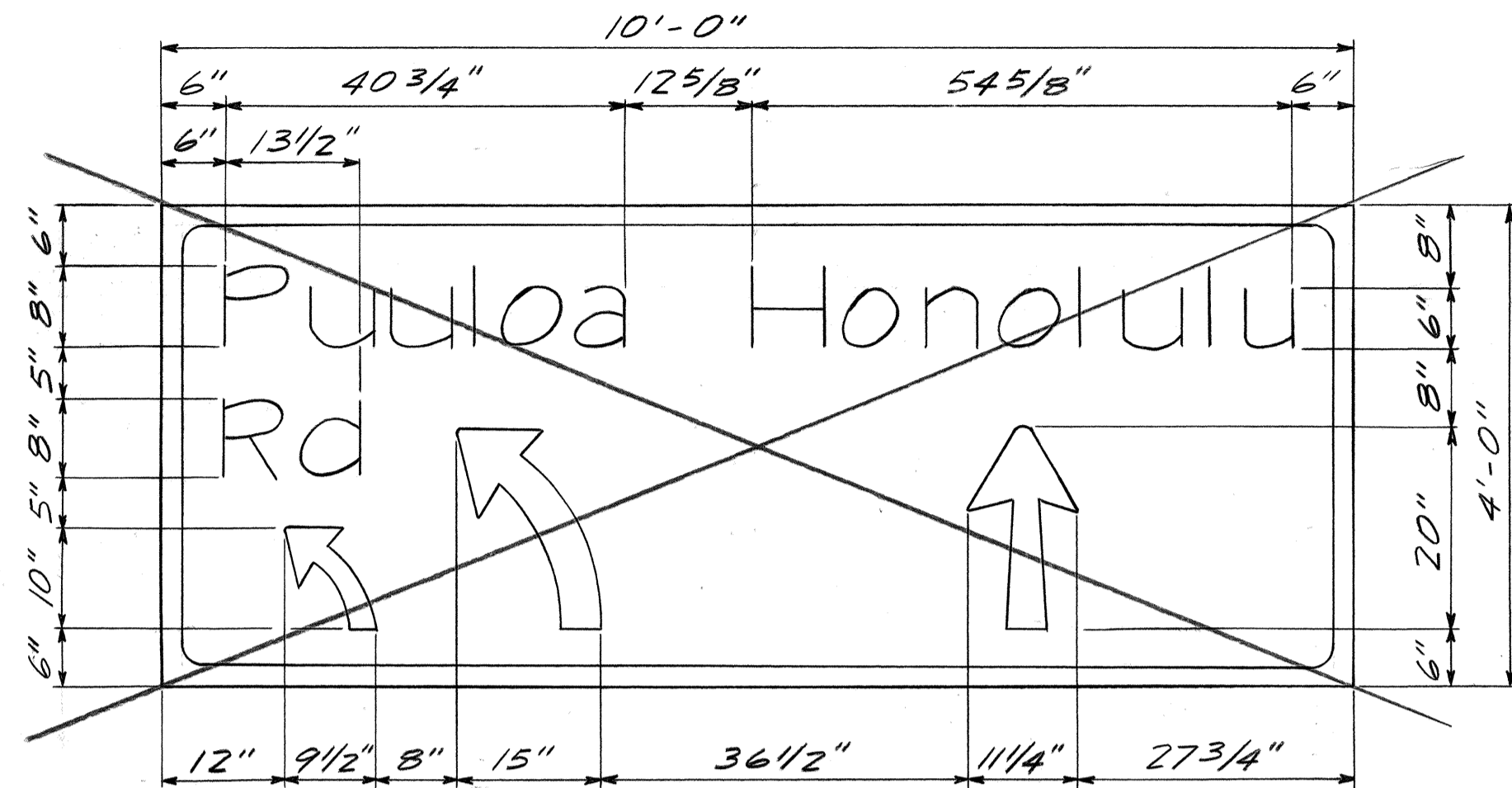
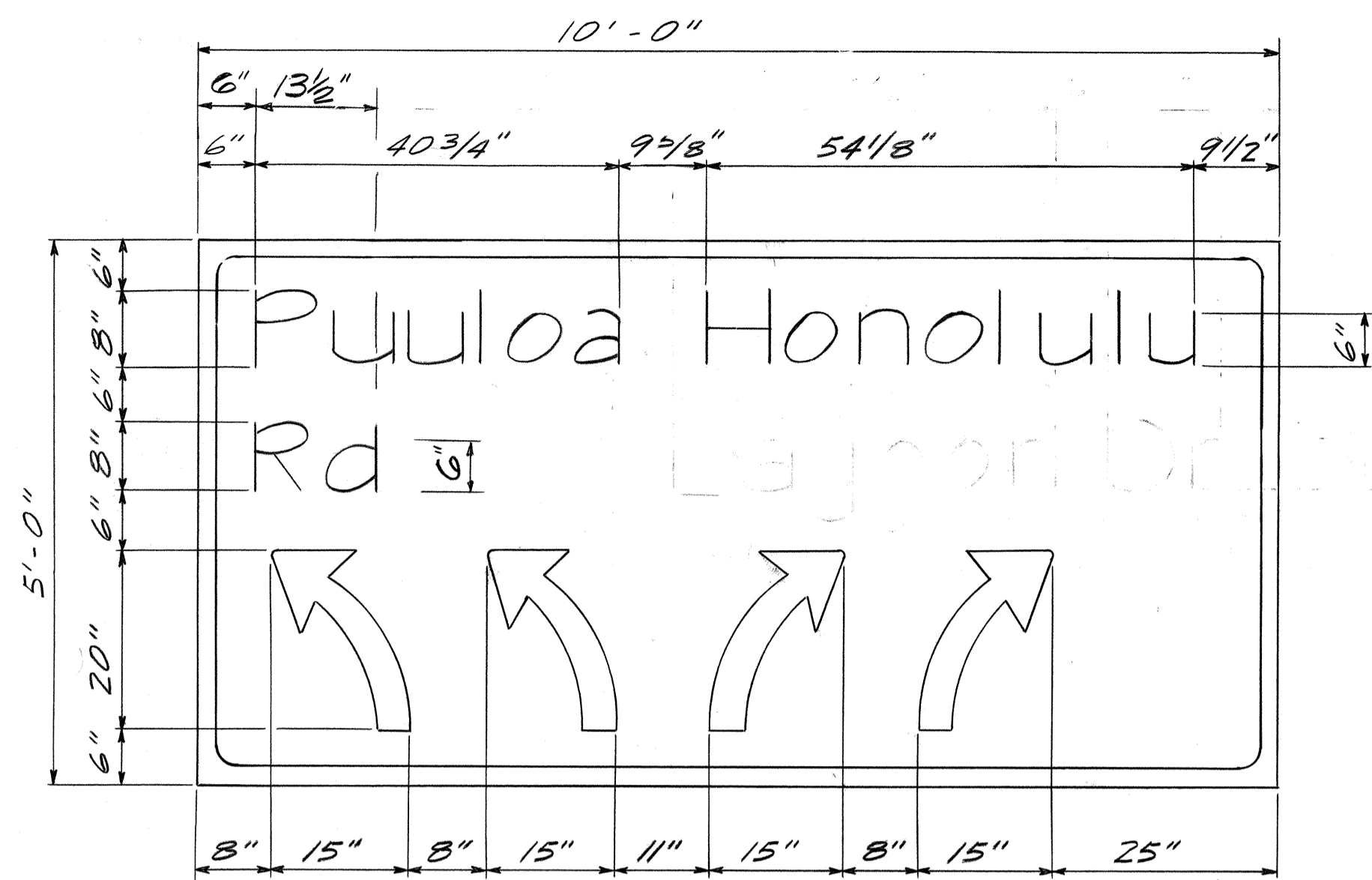
No	DATE	REVISION
2	9/24/80	Delete Signs D-24, D-25, D-26 & D-28 Added Signs D-29, D-30 & D-31
1	7/23/80	Added Rumble Strip Detail.

STATE OF HAWAII
DEPARTMENT OF TRANSPORTATION
LAND TRANSPORTATION FACILITIES

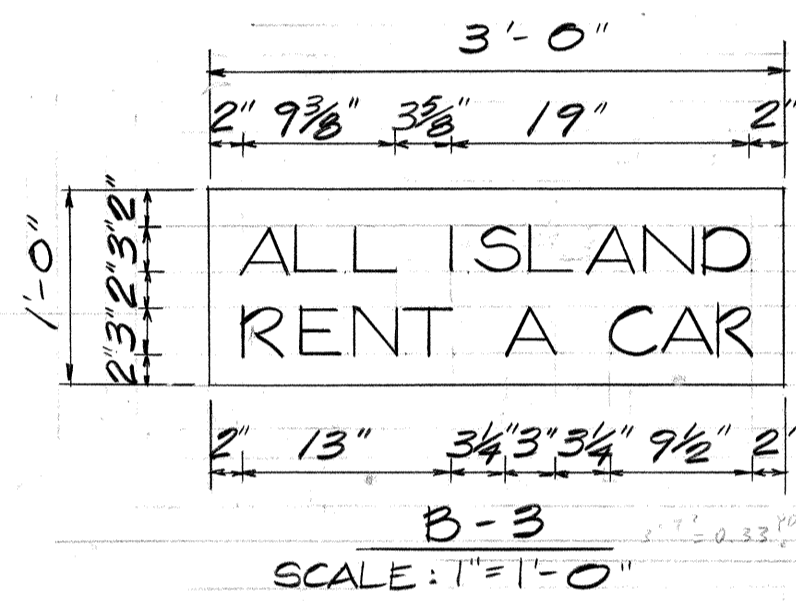
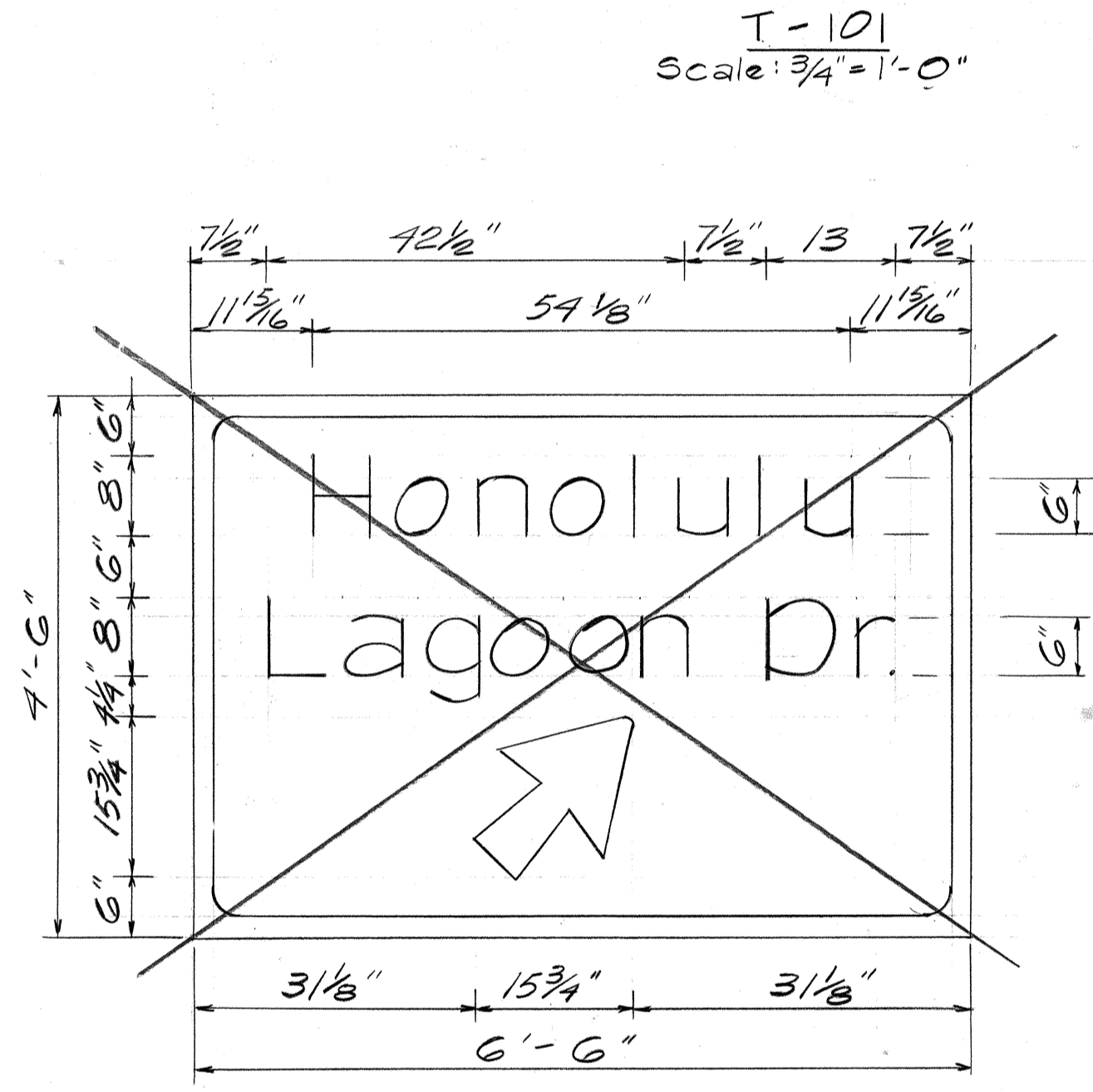
PANEL LAYOUT
RUMBLE STRIP DETAIL
AIRPORT INTERCHANGE
F.A.I. PROJ. NO. I-HI-1(84)-16

SCALE: AS SHOWN DATE: JUNE 30, 1978
SHEET No. 55-100F OF 13 SHEETS

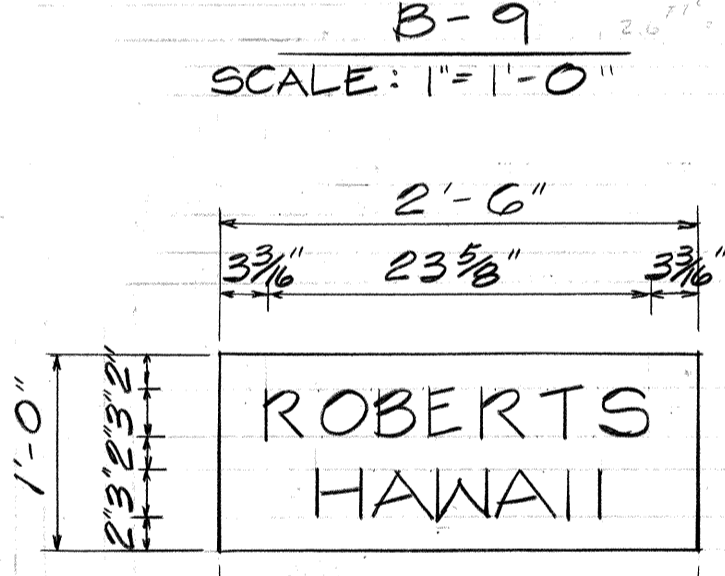
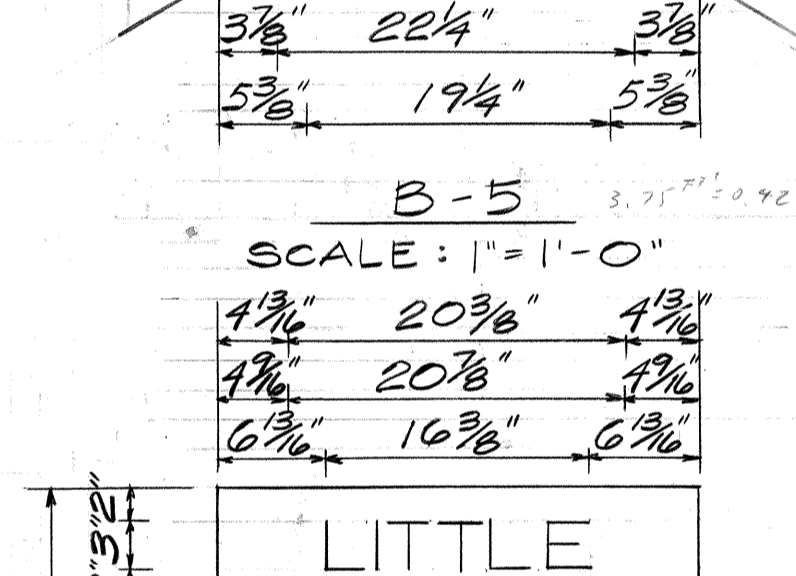
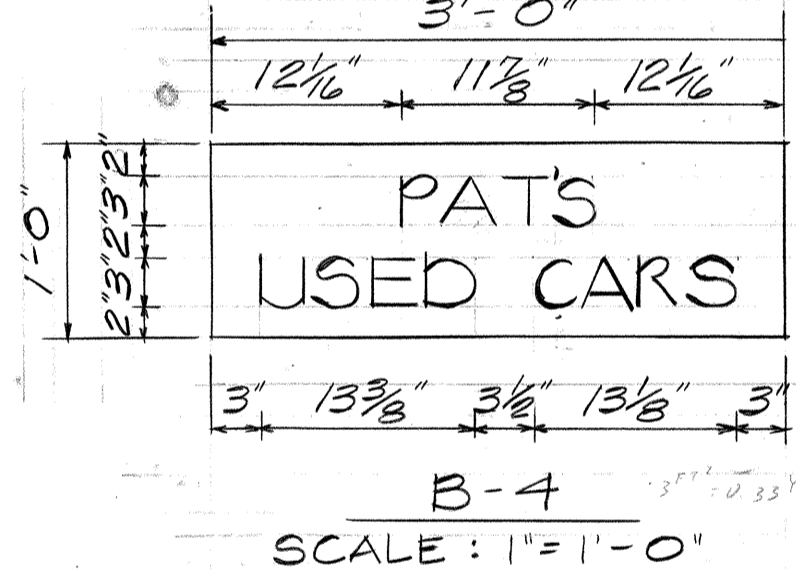
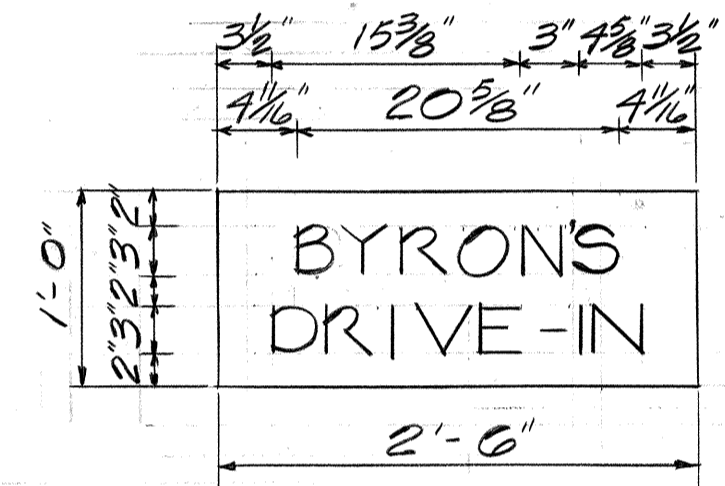
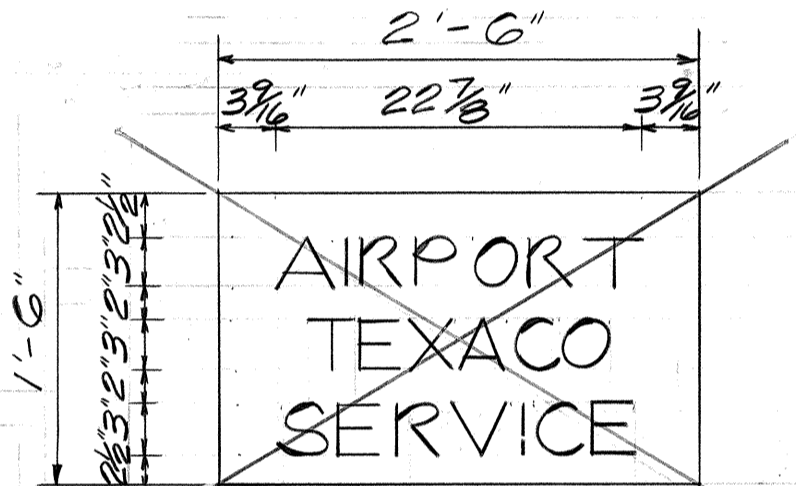
FED. ROAD DIST. NO.	STATE	FED. AID PROJ. NO.	FISCAL YEAR	SHEET NO.	TOTAL SHEETS
HAWAII	HAW.	1-HI-1(84)16	1978	60	466



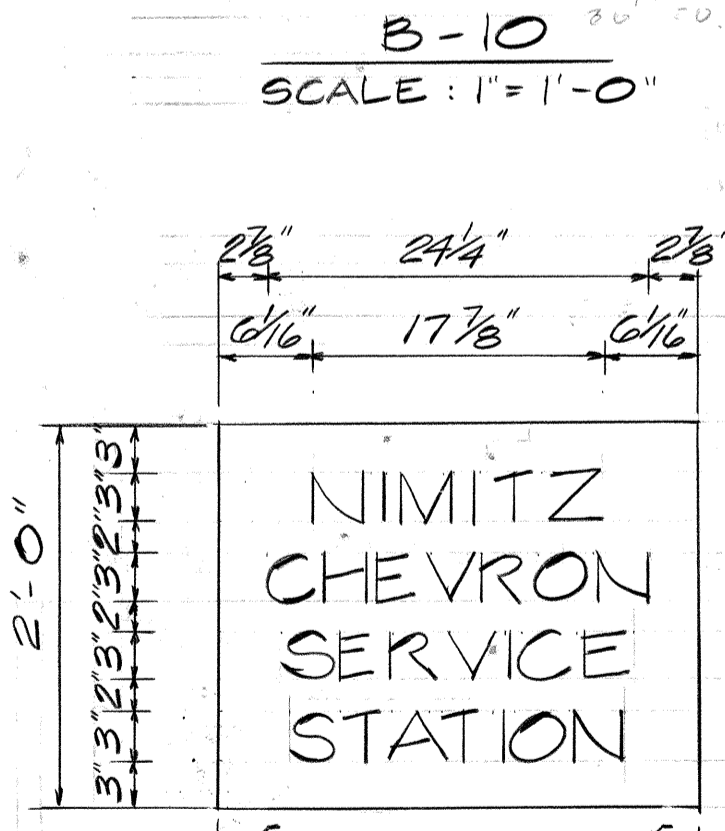
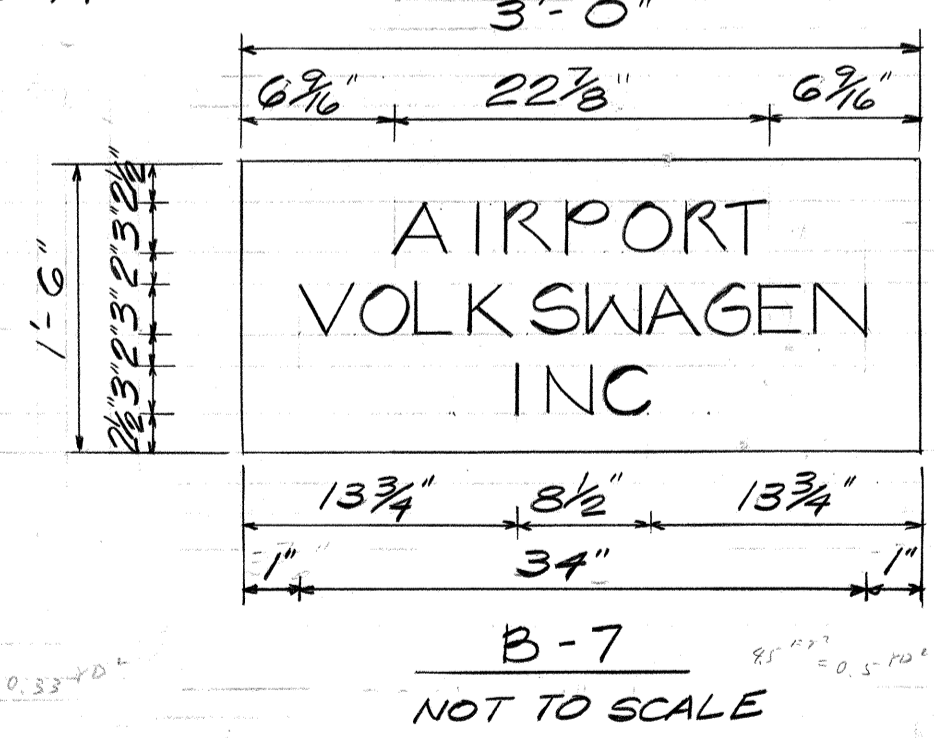
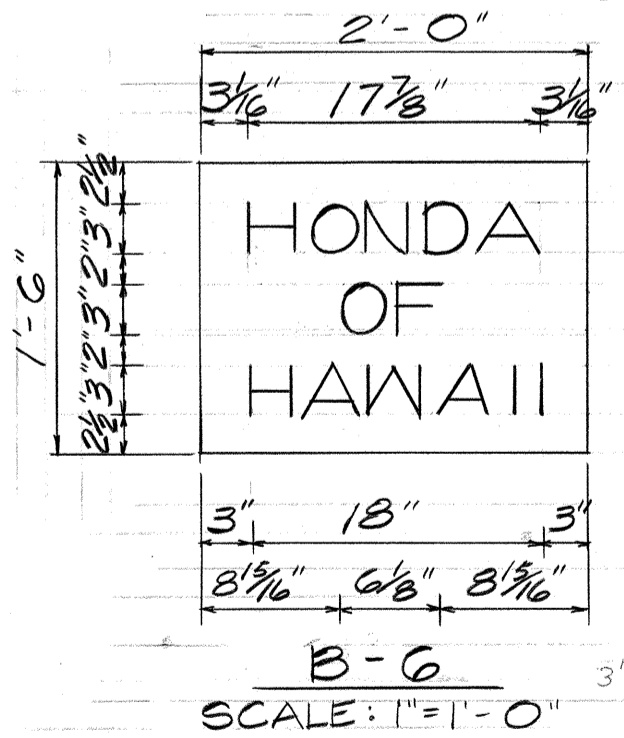
T-101
Scale: 3/4"=1'-0"



T-103
Scale: 3/4"=1'-0"

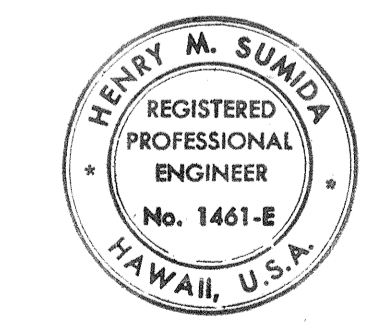


T-102
Scale: 3/4"=1'-0"



- NOTES:
- B Type Signs shall be Temporary Business Designation Signs and shall be made of 3/4" Water Proof Plywood. Sign Legend shall be Black on White Background and shall be painted on both sides of the Sign Panel.
 - Signs shall be mounted in accordance with Standard Details - Miscellaneous Sign Details.
 - The Contractor shall construct, install, and maintain the signs at the locations shown on the plans and as ordered by the Engineer.
 - Letters shall be series "E" of the sizes shown and shall conform with the "Standard Alphabet for Highway Signs," Bureau of Public Roads, 1966
 - All B Type Signs will be removed when falsework is removed.

NO.	DATE	REVISION
2	7/23/80	Delete Signs T-102 & T-103
1	10-2-78	REVISED ALL B TYPE SIGNS AND T-101 AND ADDED NOTE 5 ADDED NIMITZ CHEVRON SERVICE STATION BUSINESS DESIGNATION SIGN (B-11)



THIS WORK WAS PREPARED BY ME OR UNDER MY SUPERVISION.
Henry M. Sumida

STATE OF HAWAII
DEPARTMENT OF TRANSPORTATION
LAND TRANSPORTATION FACILITIES DIVISION

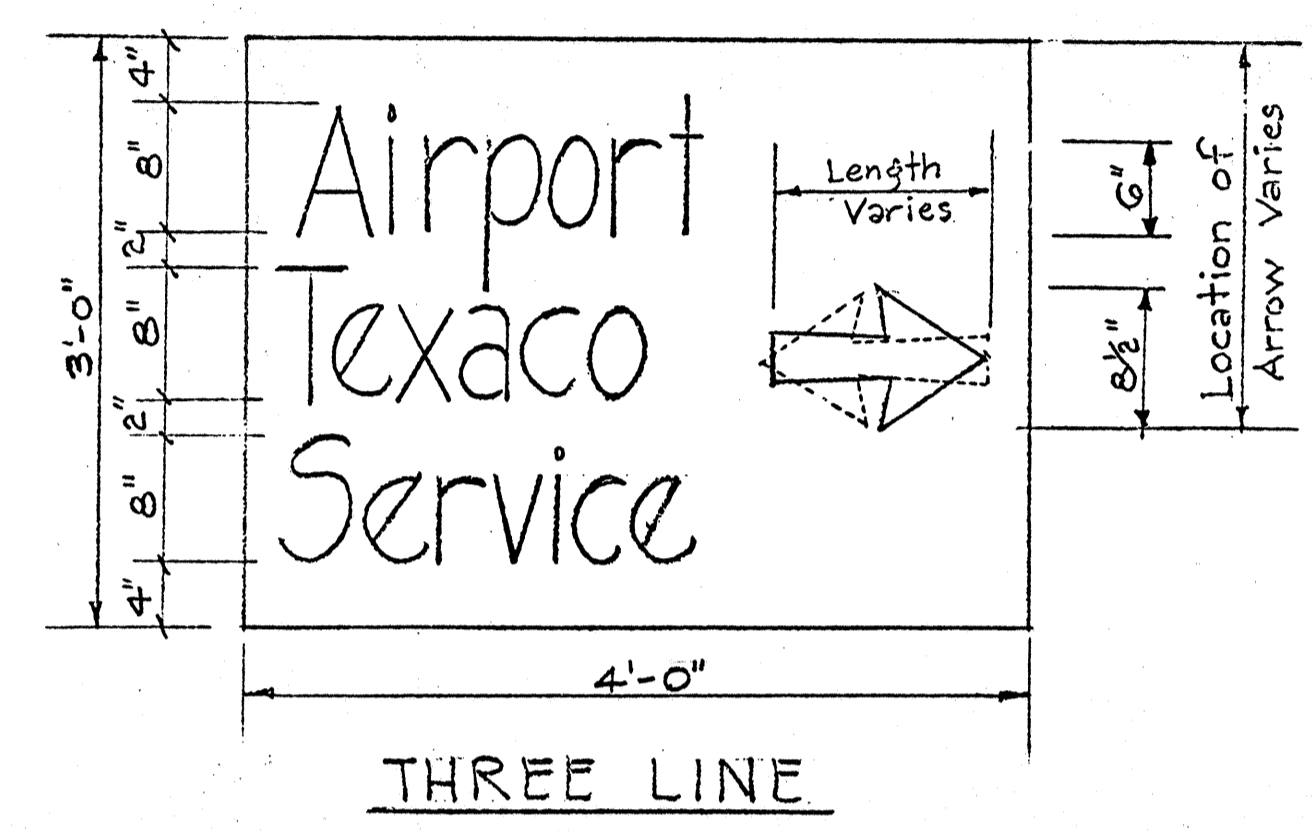
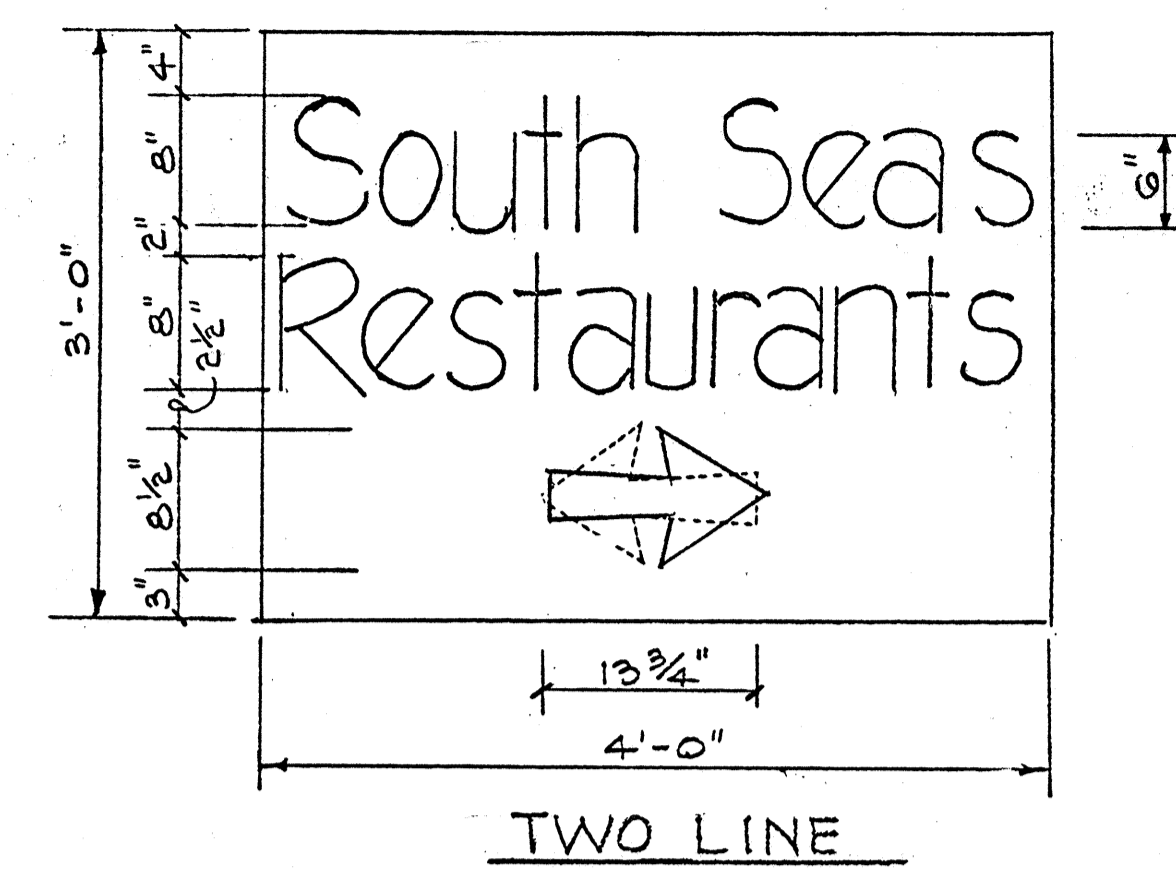
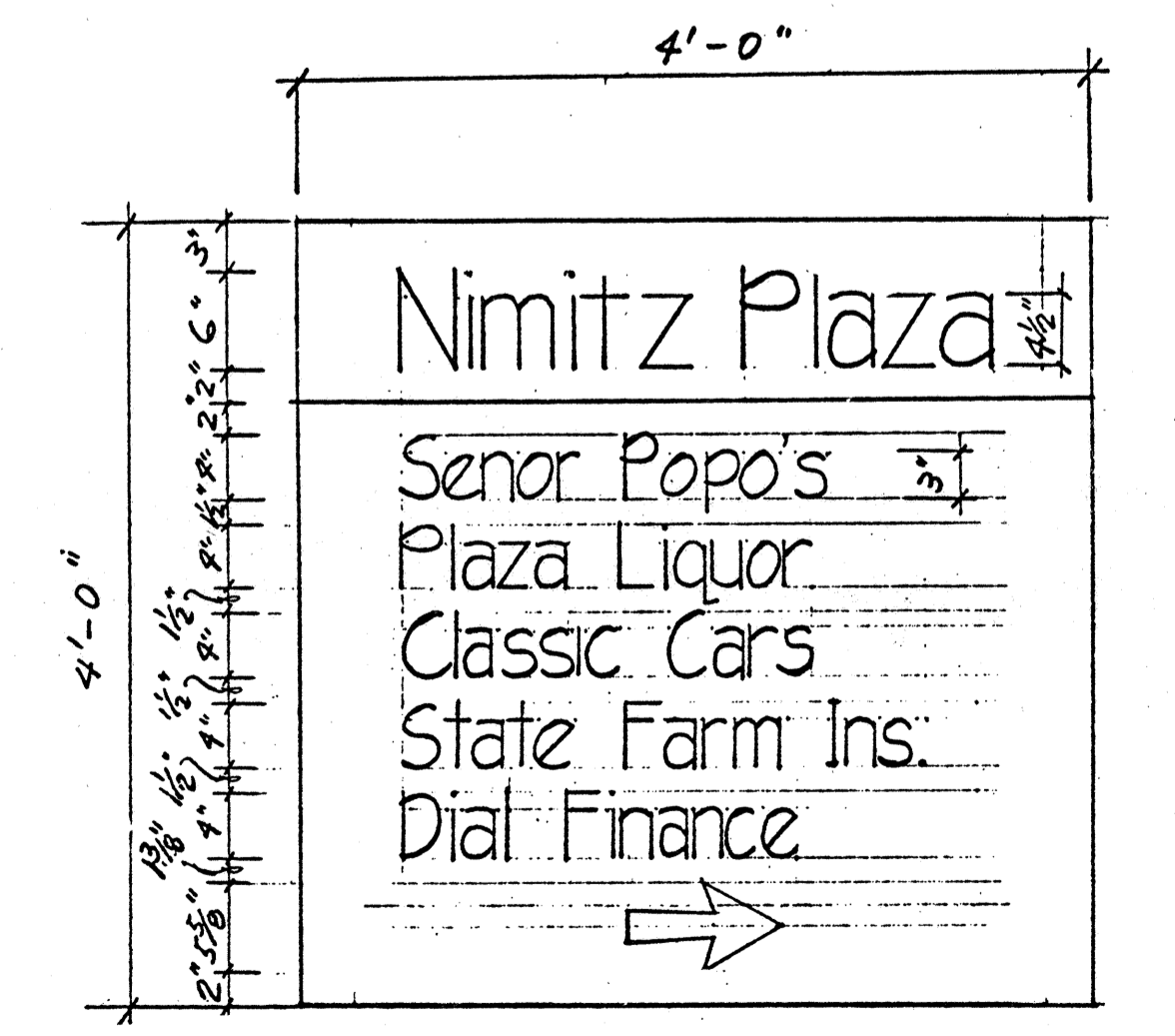
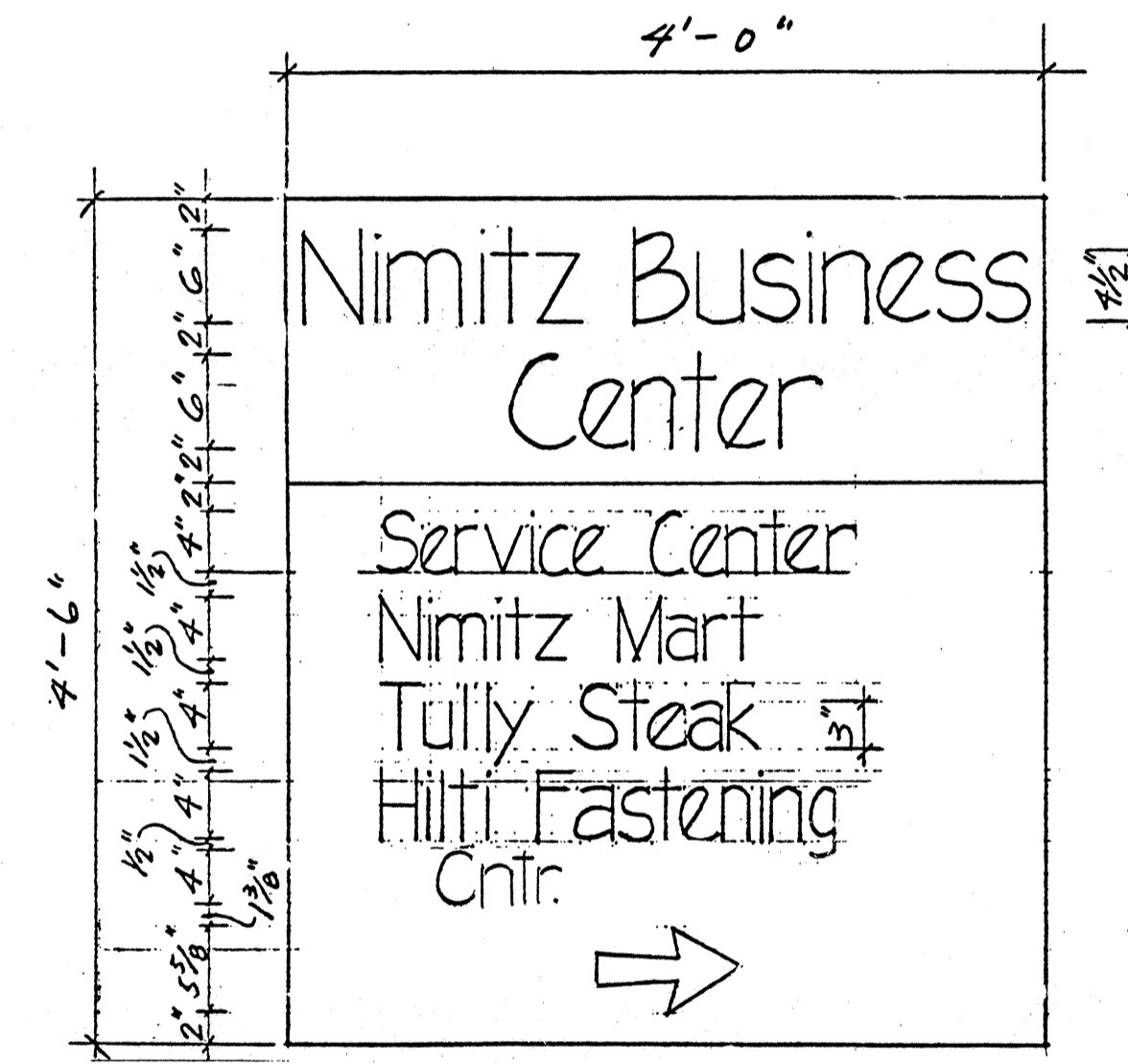
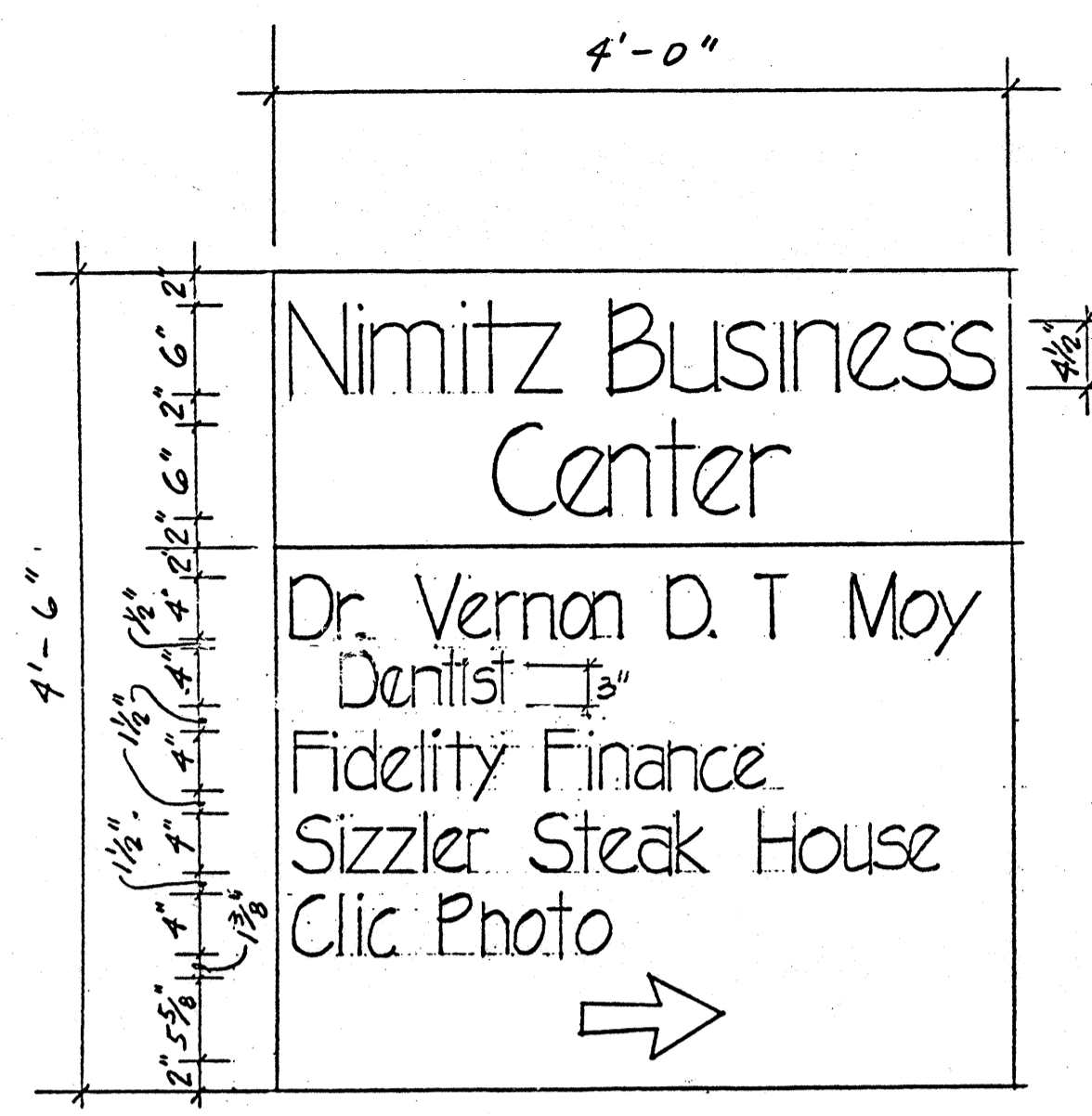
PANEL LAYOUT

AIRPORT INTERCHANGE
F.A.I. PROJ. NO I-HI-1(84)16

SCALE: AS SHOWN DATE: JULY 10, 1978
SHEET No. 55-110F OF 12 SHEETS

SURVEY PLOTTED BY	DATE
DRAWN BY	
TRACED BY	
QUANTITIES BY	
CHECKED BY	
ORIGINAL PLAN	
NOTE BOOK	
No.	

FED. ROAD DIST. NO.	STATE	FED. AID PROJ. NO.	FISCAL YEAR	SHEET NO.	TOTAL SHEETS
HAWAII	HAW.	I-HI-1(84):16	1978	60603	466



DESCRIPTION SIGNS
(TYPICAL EXAMPLES)
NOT TO SCALE

NIMITZ HIGHWAY BUSINESS SIGNS
3' x 4' PLYWOOD 1/2" BLACK ON WHITE
8" CAPITAL LETTERS WITH 6" LOWER CASE.
TWO SIGNS EACH, ONE RIGHT ARROW,
ONE LEFT ARROW.

Nimitz Union → Service	Mike Salta Pontiac →	Little Orphan → Annie's	Universal Motors →
Sarge's Auto → Sales	Don Shaw Cars →	Island Motors →	Yamaha Off → Hawaii
Suzuki Motorcycles →	Pflueger Lincoln → Mercury	Pat's Used Cars →	ABC → Furniture Rentals
Wholesale Motors →	South Seas Restaurants →	Airport Texaco → Service	Majestic Furniture →
Dollar Rent-A-Car →	Nimitz → Cheveron Service	Honda Off → Hawaii	Jerico Auto Sales →
Cycle City →	Byron's Drive-Inn →	Airport Volkswagon →	Shelly Cars →
	Ramada Inn →		

SURVEY PLOTTED BY	DATE
DRAWN BY	
TRACED BY	
NOTE BOOK	
QUANTITIES BY	
CHECKED BY	
No.	

Note: This tracing prepared during
"AS-BUILT" postings.

STATE OF HAWAII
DEPARTMENT OF TRANSPORTATION
HIGHWAYS DIVISION

SIGN PANELS

AIRPORT INTERCHANGE
FAI Project No. I-HI-1(84):16

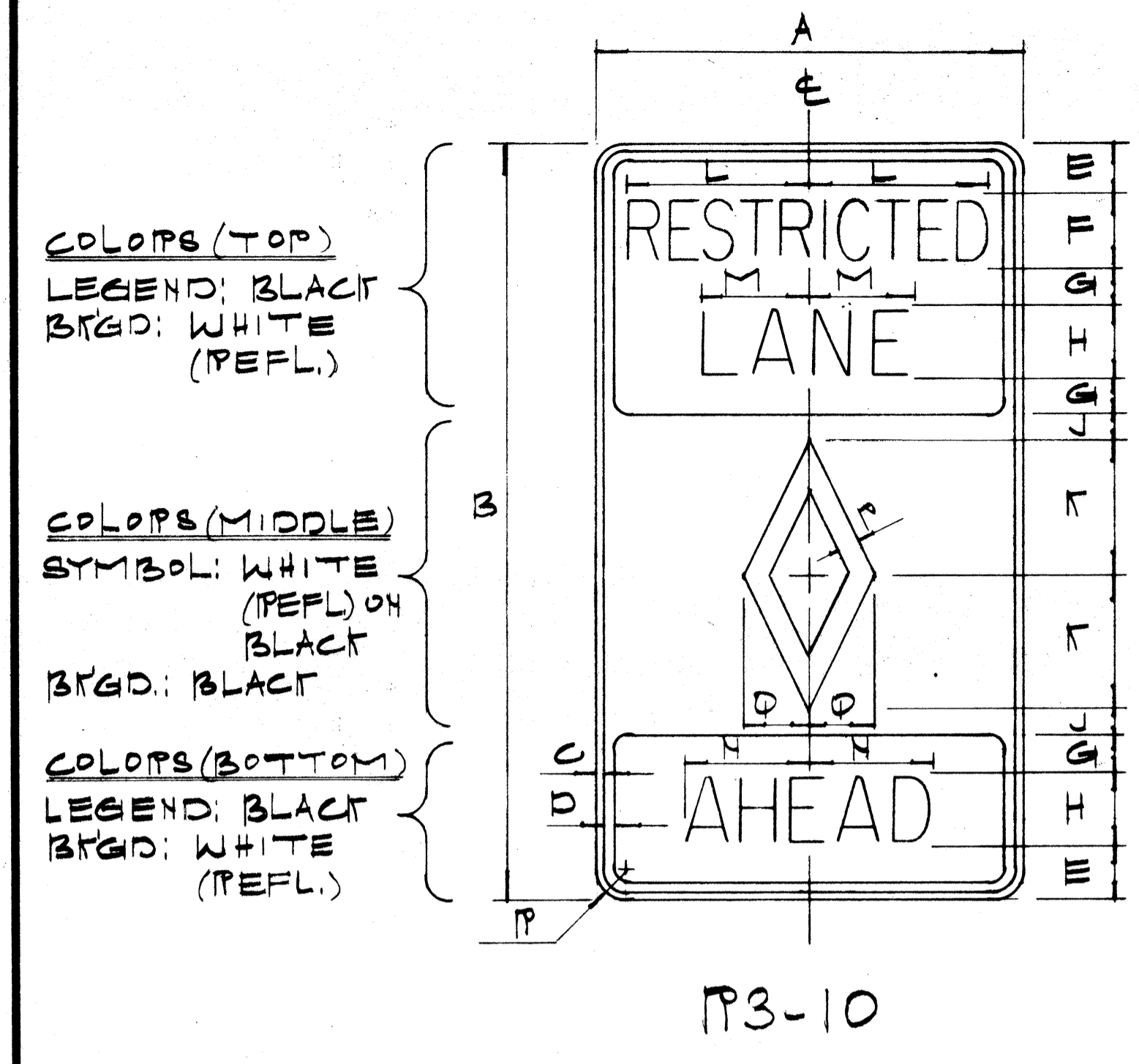
Scale: N.T.S.

SHEET No. OF SHEETS

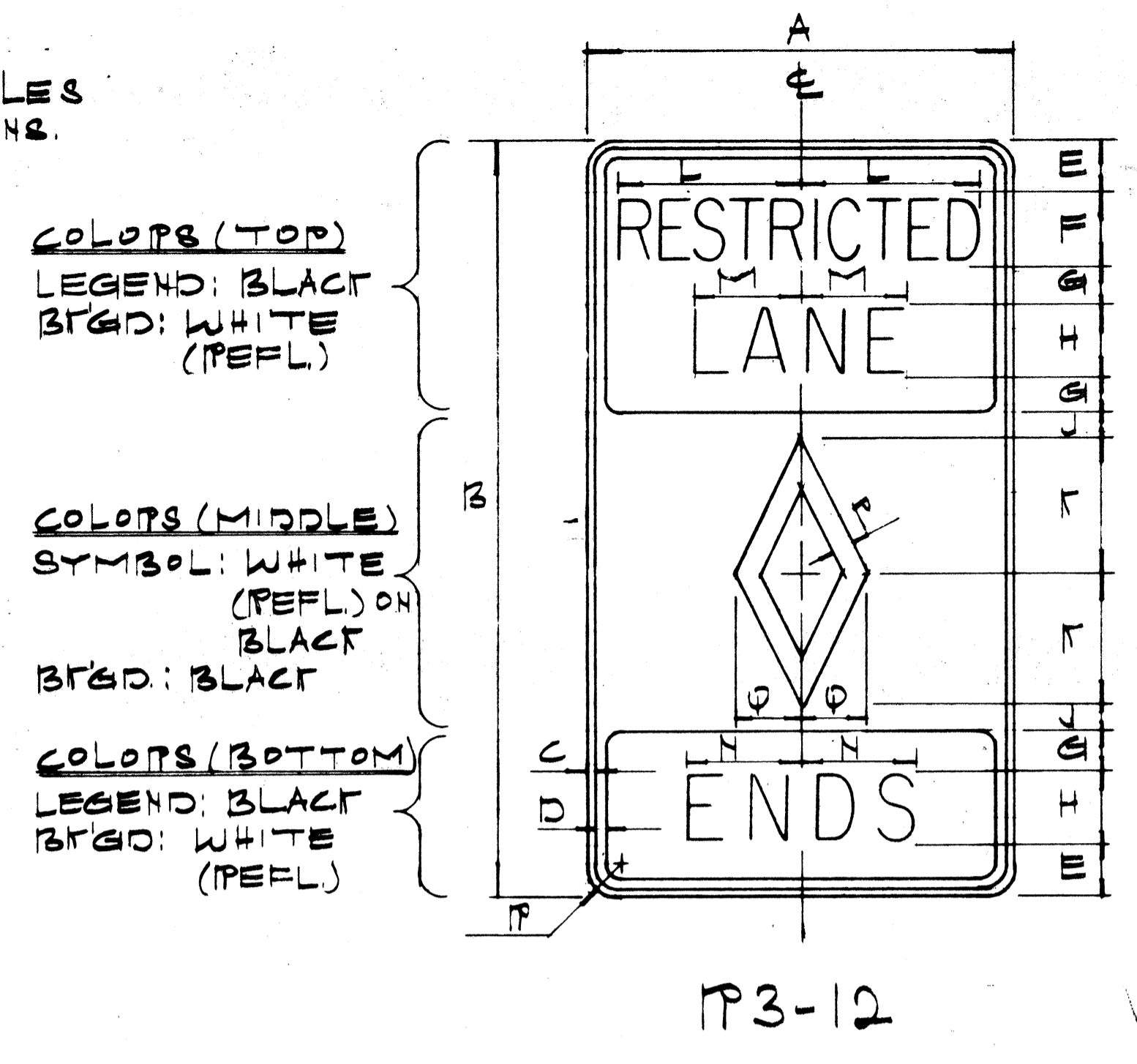
C.O.60B

FED. ROAD DIST. NO.	STATE	FED. AID PROJ. NO.	FISCAL YEAR	SHEET NO.	TOTAL SHEETS
HAWAII	HAW.	F-H-1(84)16	1978	61	466

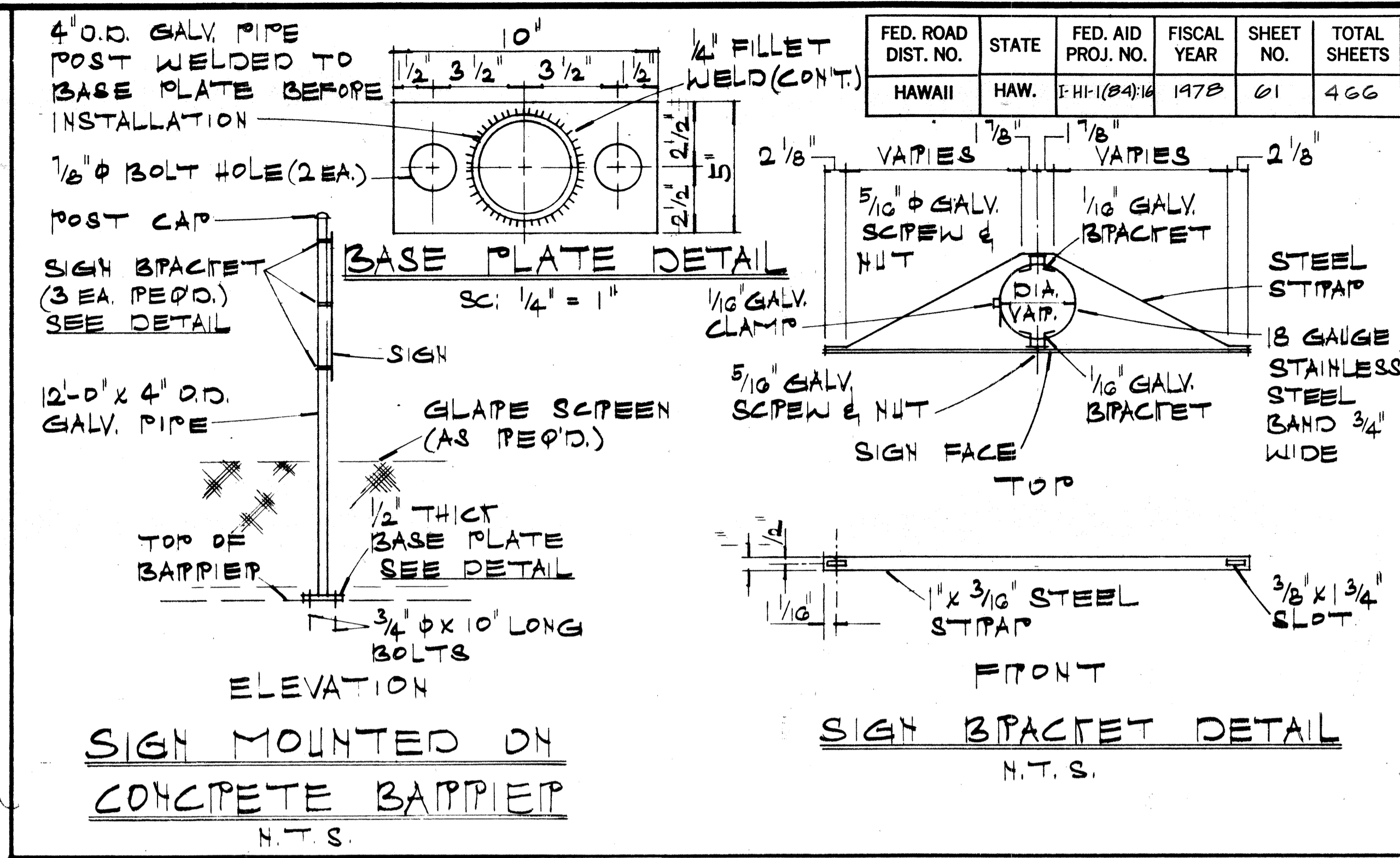
NOTE:
DRILL 3/8" Ø BOLT HOLES APPROPRIATE LOCATIONS.



P3-10



P3-12



SIGN MOUNTED ON CONCRETE BARRIER
N.T.S.

SIGN BRACKET DETAIL
N.T.S.

SIGN	DIMENSIONS (INCHES)															
	A	B	C	D	E	F	G	H	J	K	L	M	N	P	Q	R
P3-10	30	42	1/2	3/4	3/4	4B	2	4C	1 1/4	7 1/2	10 3/8	G	8 3/4	1 1/8	3 3/4	1 7/8
P3-10-A	36	60	5/8	7/8	4 1/2	6B	3	6C	2	10	15 1/2	9	10 1/2	1 1/2	5	2 1/4

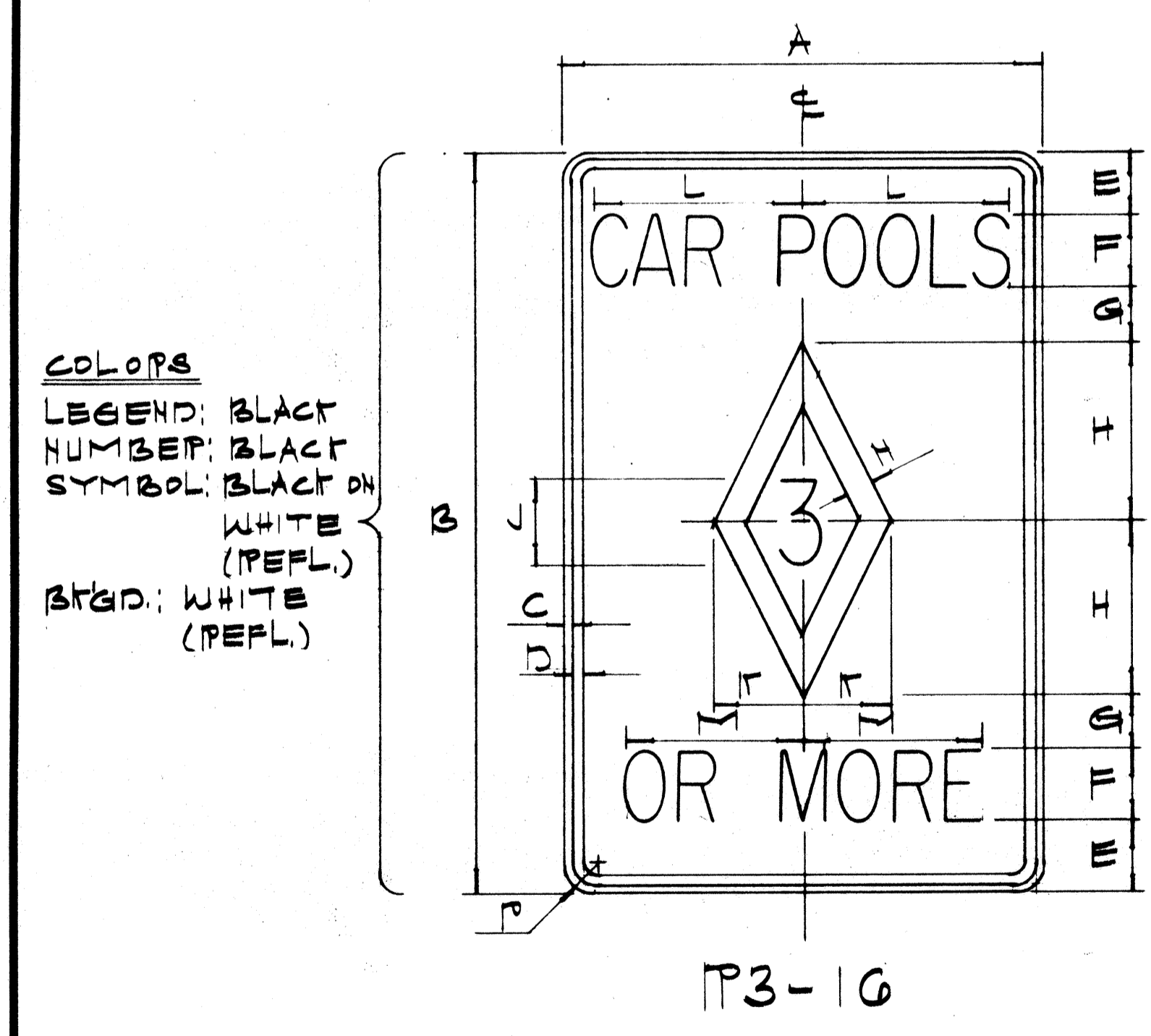
SIGN	DIMENSIONS (INCHES)															
	A	B	C	D	E	F	G	H	J	K	L	M	N	P	Q	R
P3-12	30	42	1/2	3/4	3/4	4B	2	4C	1 1/4	7 1/2	10 3/8	G	8 3/4	1 1/8	3 3/4	1 7/8
P3-12-A	36	60	5/8	7/8	4 1/2	6B	3	6C	2	10	15 1/2	9	10 1/2	1 1/2	5	2 1/4

GENERAL NOTES:

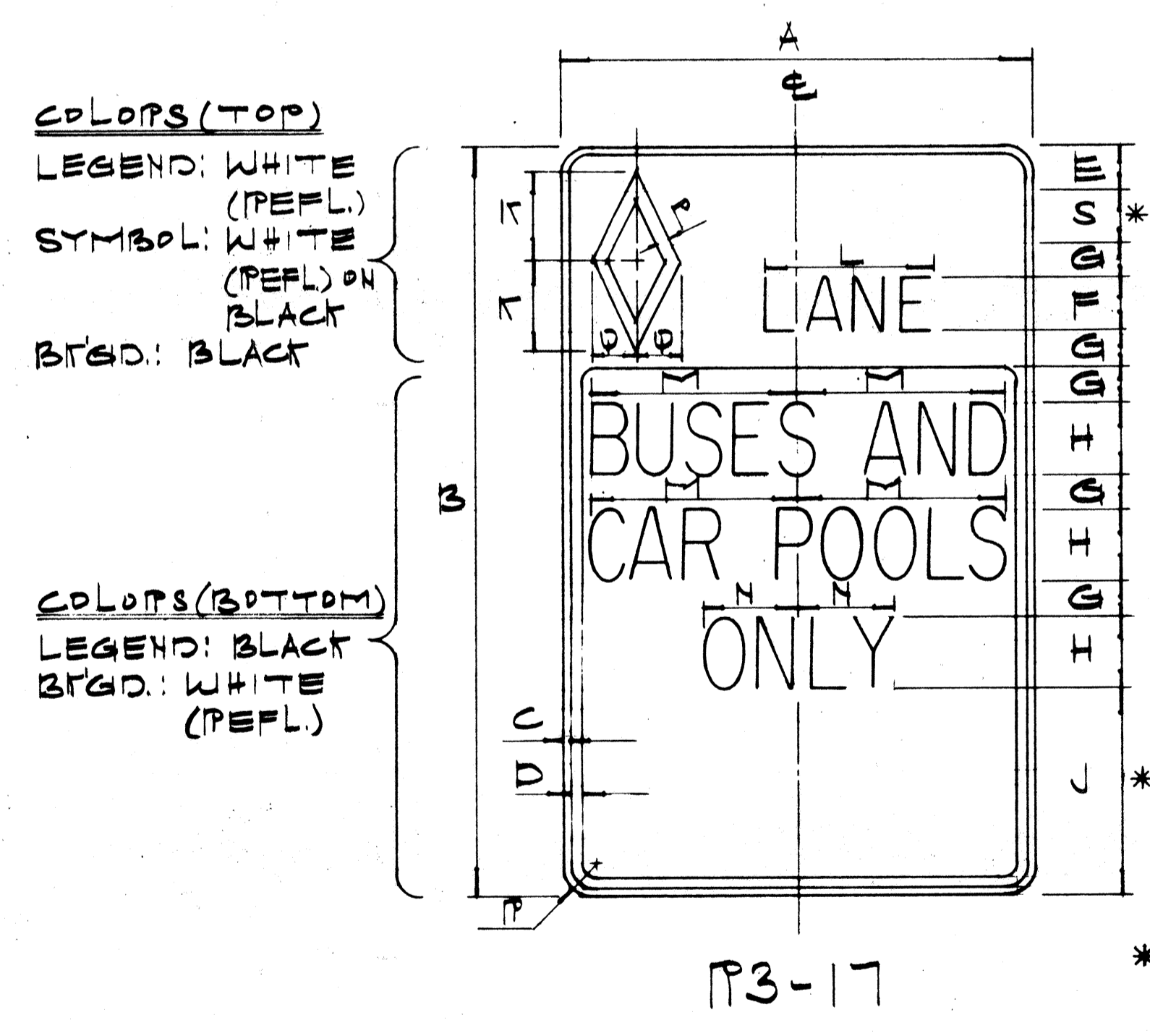
- SIGN DETAILS SHALL CONFORM TO THE LATEST EDITION OF THE FOLLOWING FHWA PUBLICATIONS: "MANUAL ON UNIFORM TRAFFIC CONTROL DEVICES FOR STREETS & HIGHWAYS," "STANDARD HIGHWAY SIGNING," & "STANDARD ALPHABETS FOR HIGHWAY SIGNING."
- FOR ADDITIONAL DETAILS, SEE SHT. #DT 100.
- SIGN PANELS SHALL BE ONE CONTINUOUS SHEETS AND NO SPLICING WILL BE ALLOWED.

ALTERNATE MESSAGE	SPACE	P3-17		P3-17-A	
		SERIES	DIM.	SERIES	DIM.
LEFT	S	3"D	8 7/8"	4"D	11 3/4"
CONED	S	3"D	12 1/2"	4"D	16 3/4"
SIGNED	S	3"D	13 3/4"	4"D	18 1/2"
WHEN CONED	J	4"B	24"	6"B	36 3/4"
WHEN SIGNED	J	4"B	24"	6"B	38 3/4"
24 HRS	J	4"C	17 1/2"	6"C	27"
6 - 8:30 AM		2"C		3"C	
3:30 - 5:30 PM		2"C		3"C	
EXCEPT SAT SUN & HOL		1"C		2"C	

NOTE:
ALL ALTERNATE MESSAGES SHALL BE VISUALLY CENTERED WITHIN AREAS AS SPECIFIED.



P3-16



P3-17

*INSERT ALTERNATE MESSAGE (SEE SCHEDULE)

SIGN	DIMENSIONS (INCHES)															
	A	B	C	D	E	F	G	H	J	K	L	M	N	P	Q	R
P3-16	30	42	1/2	3/4	4	4C	3	10	5C	5	12	10 1/4	1 1/2	1 7/8		
P3-16-A	42	60	5/8	7/8	5	6C	4	15	8D	7 1/2	18	16	2	2 1/4		

SIGN	DIMENSIONS (INCHES)															
	A	B	C	D	E	F	G	H	J	K	L	M	N	P	Q	R
P3-17	30	42	1/2	3/4	2 1/2	3D	2	4C	1 1/2	5	9 5/8	12	5 1/2	3/4	2 1/2	1 7/8
P3-17-A	42	60	5/8	7/8	4	4D	3	6C	15	7 1/2	12 1/4	18	8 1/4	1 1/8	3 3/4	2 1/4

1	8-9-79	Revised Sign P3-17
NO	DATE	REVISION

STATE OF HAWAII
DEPARTMENT OF TRANSPORTATION
HIGHWAYS DIVISION

**TYPICAL DETAILS
BUS-CAR POOL SIGNS**

NOT TO SCALE DATE: July, 1977
SHEET NO. 5512 OF 13 SHEETS

ORIGINAL PLAN
DATE
SURVEY PLOTTED BY
DRAWN BY
NOTE BOOK
NO. 1
DESIGNED BY
CHECKED BY

