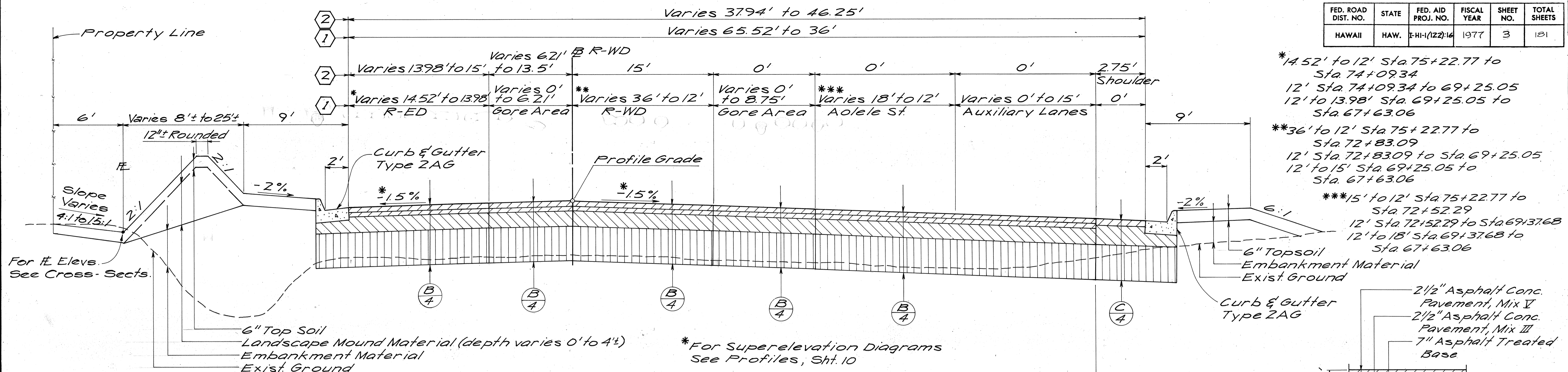
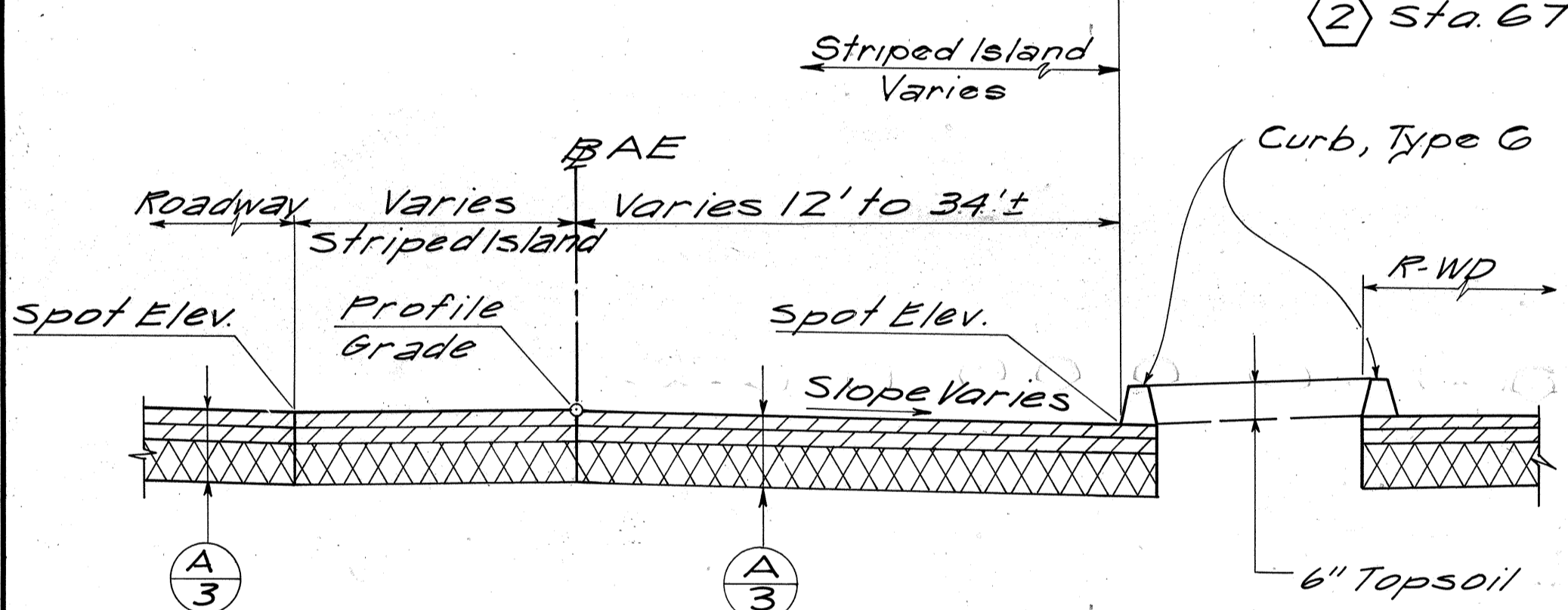


FED. ROAD DIST. NO.	STATE	FED. AID PROJ. NO.	FISCAL YEAR	SHEET NO.	TOTAL SHEETS
HAWAII	HAW.	I-HI-1(122)16	1977	3	181

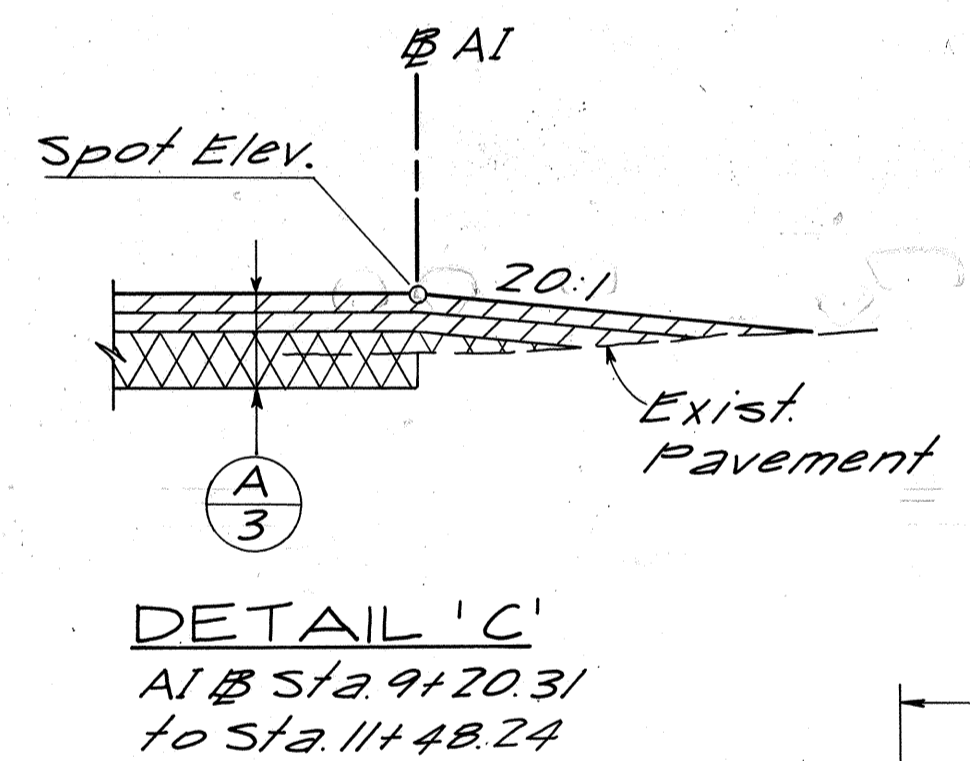


Sta Limits for Landscape Mound
 R-WD @ Sta. 74+30.00 to 66+79.79
 See R-ED Typ. Section for continuation of Mound.

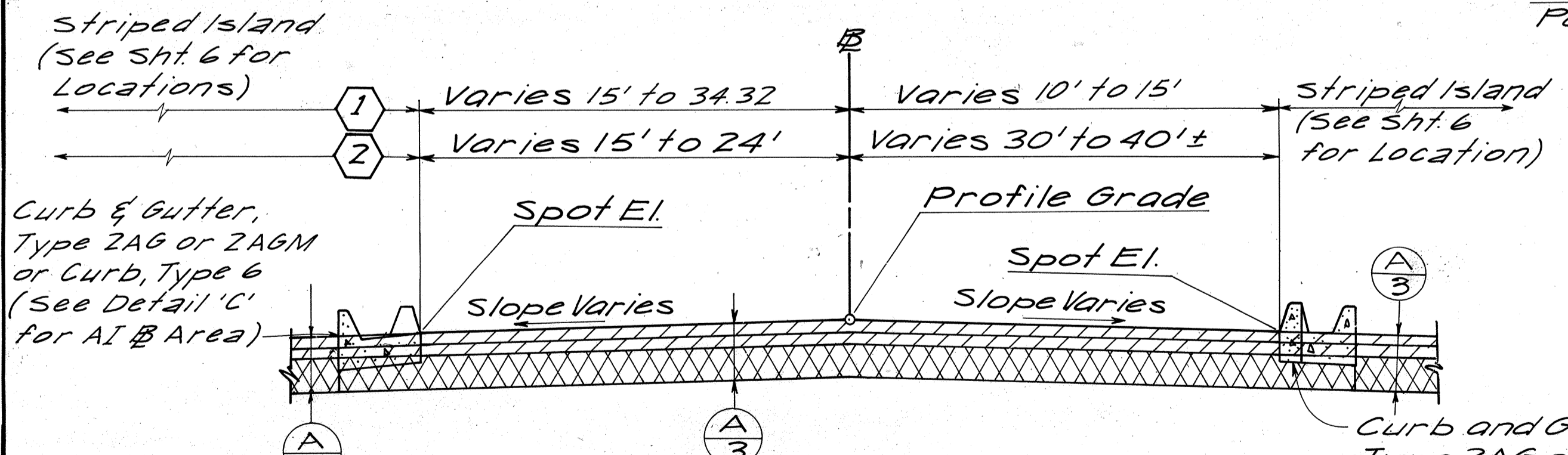
TYPICAL SECTION - RAMP WD (IV)
 1 Sta. 75+22.77 to Sta. 67+63.06
 2 Sta. 67+63.06 to Sta. 66+79.79



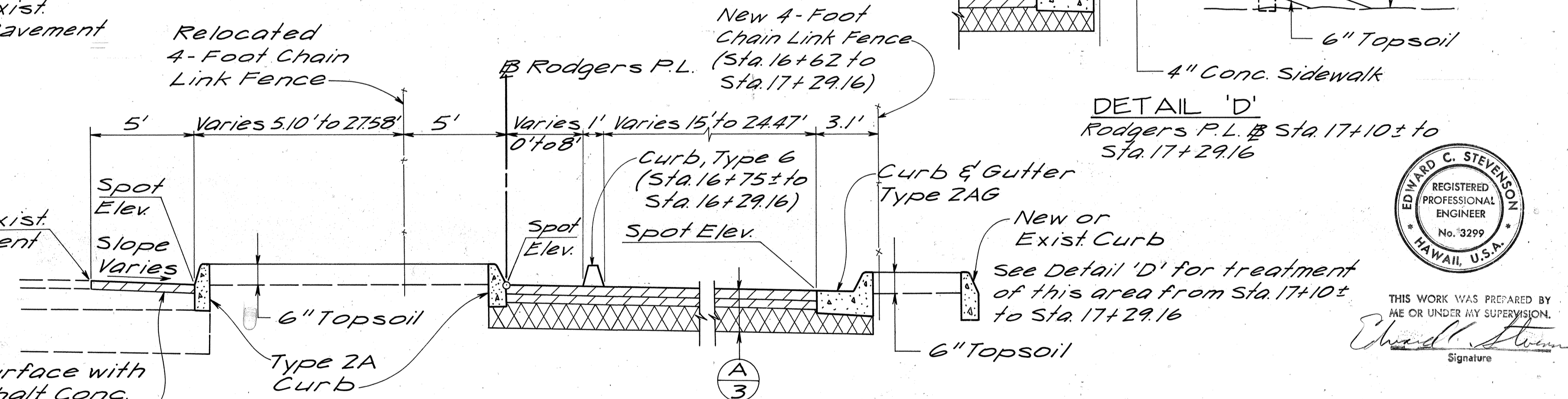
TYPICAL SECTION - AE (II)
 AE - Sta. 9+17± to Sta. 11+13.04
 Including: R-WD/AE Right Turn -
 R-WD Sta. 75+94.06 to AE 9+05.79



DETAIL 'C'
 At Sta. 9+20.31 to Sta. 11+48.24



TYPICAL SECTION - R-WD, AR (I)
 1 R-WD @ Sta. 78+07.02 to Sta. 75+22.77
 2 AR @ Sta. 15+05.12 to Sta. 12+36.20



TYPICAL SECTION RODGERS P.L. (III)
 Sta. 14+50.00 to Sta. 17+29.16

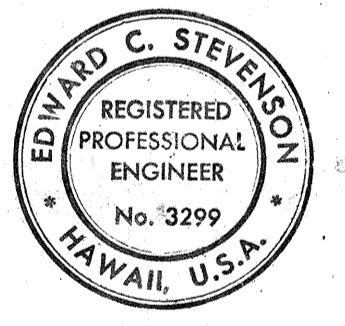
NO.	DATE	REVISION
2	4-28-78	Revised Typical Sections I and II and Detail 'C' Deleted Detail 'A'
1	10-11-77	Revised Typical Section III Added Detail 'D'

STATE OF HAWAII
 DEPARTMENT OF TRANSPORTATION
 HIGHWAYS DIVISION

TYPICAL SECTIONS
 RAMPS & STREETS

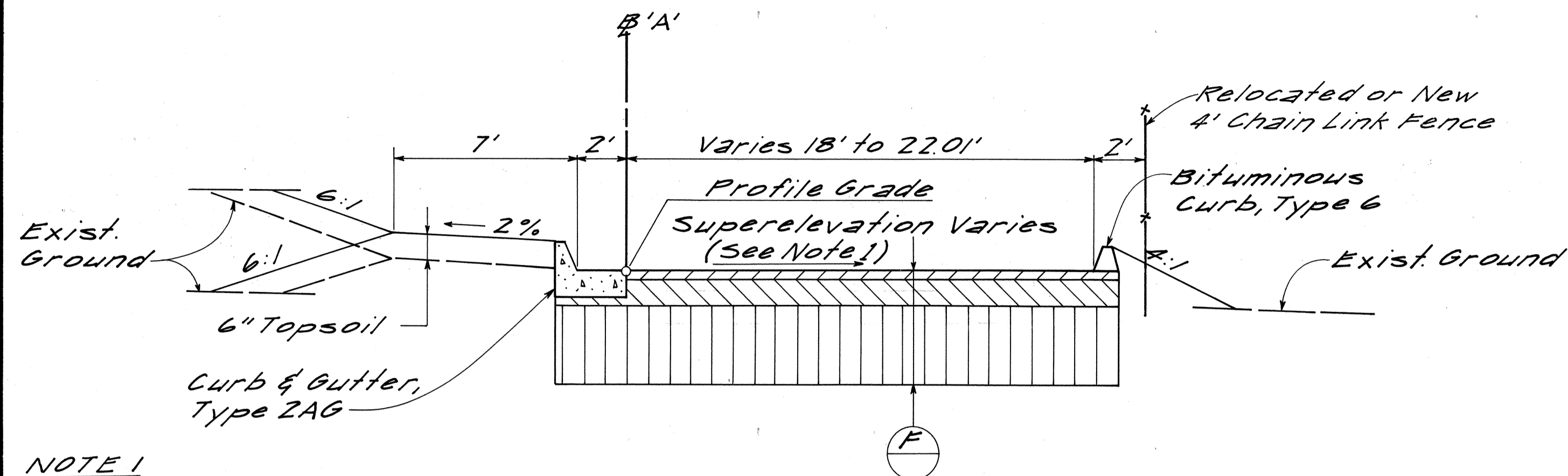
AIRPORT INTERCHANGE
 F.A.I. PROJ. NO. I-HI-1(122)16
 SCALE: HORIZ. 1"=4'
 VERT. 1"=2' DATE: FEB. 1, 1977

SHEET No. 1 OF 3 SHEETS



THIS WORK WAS PREPARED BY ME OR UNDER MY SUPERVISION.
 Signature

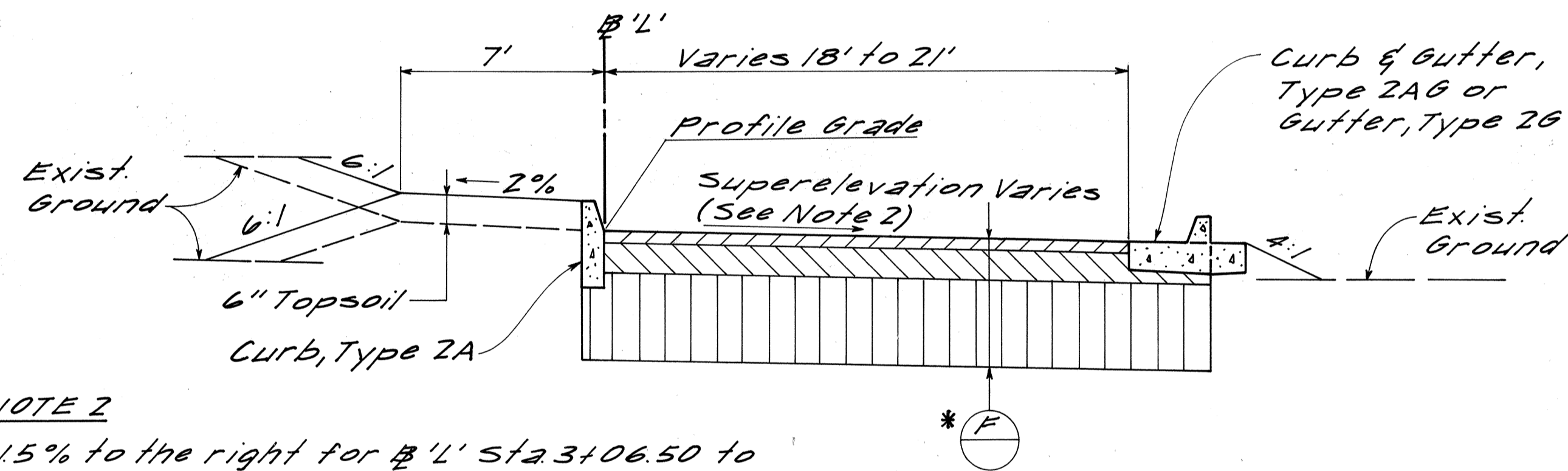
FED. ROAD DIST. NO.	STATE	FED. AID PROJ. NO.	FISCAL YEAR	SHEET NO.	TOTAL SHEETS
HAWAII	HAW.	I-HI-1(122)16	1977	3A	181



NOTE 1

+1.5% to the right for Sta 0+78.48 to Sta 3+00.70.
For Sta 0+00 to Sta. 0+78.48, Super-elevation controlled by \bar{B} Elevation and Spot Elevations.

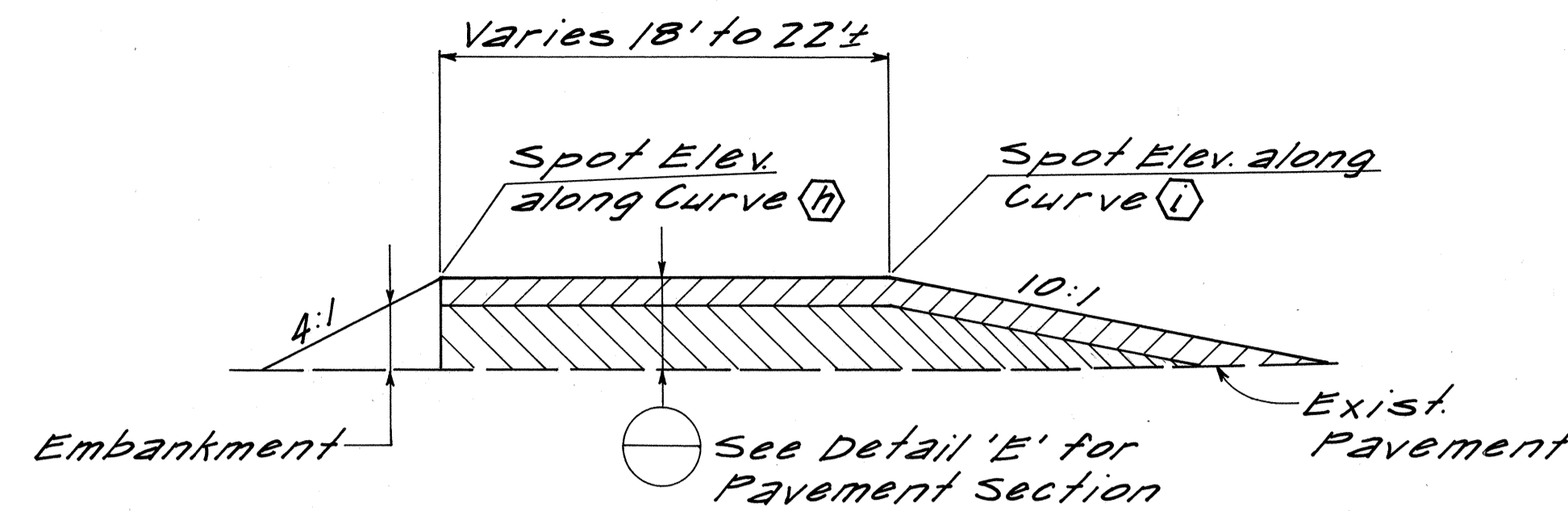
TYPICAL SECTION - AIRPORT RD 'A' (XV)
Sta. 0+00 to Sta 3+00.70



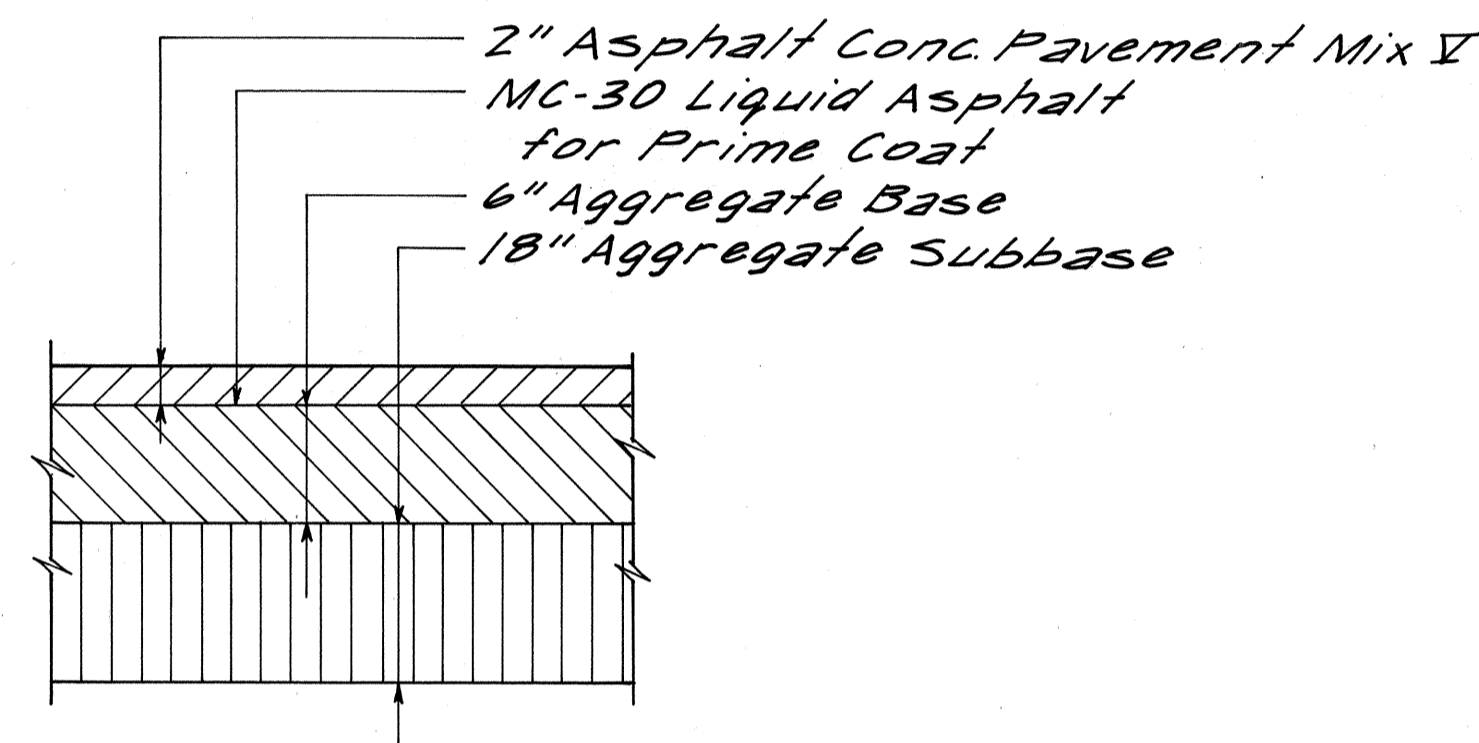
NOTE 2

-1.5% to the right for \bar{L} ' Sta 3+06.50 to Sta. 3+99.90 and Sta. 8+36.62 to Sta. 8+96.
For all other Stations, Super-elevation controlled by \bar{B} Elevations and Spot Elevations.

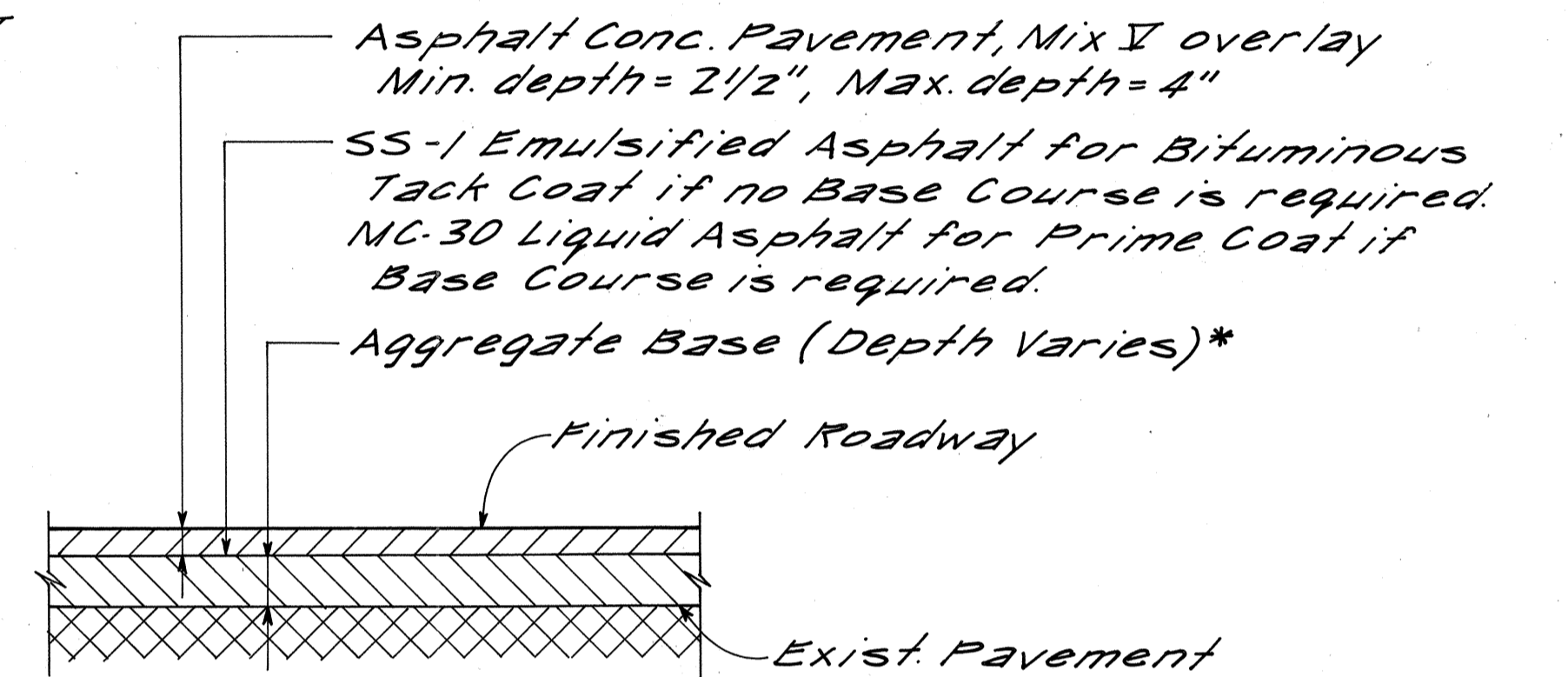
TYPICAL SECTION - AIRPORT ROAD 'L' (XVI)
Sta. 2+27.96 to Sta. 3+99.90 and Sta. 8+36.62 to Sta. 8+96
*See Detail 'E' for Special Treatment of Pavement Section for Sta. 3+40 to Sta. 3+39.90, Sta. 8+36.62 to Sta. 8+96



TYPICAL SECTIONS - EGRESS LANE FROM LEI STANDS INTO AOLELE STREET (XVII)
 \bar{B} 'L' Sta. 8+96 to Aolele St Sta. 56+90



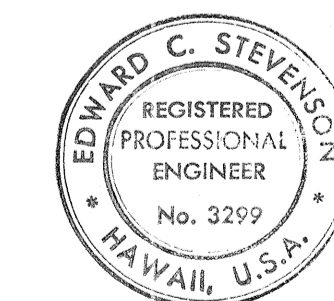
SECTION F
Airport Rds. 'A' & 'L'



DETAIL 'E' - SPECIAL PAVEMENT TREATMENT
Sta. 3+40 to Sta. 3+99.90 and 8+36.62 to Sta. 8+96 \bar{B} 'L'
Temporary Egress Lane from Lei Stand into Aolele St.

* Scarify Exist. Pavement before placing Aggregate Base

DATE	_____
SURVEY PLOTTED BY	_____
DRAWN BY	_____
DESIGNED BY	_____
QUANTITIES BY	_____
CHECKED BY	_____
ORIGINAL PLAN	_____
NOTE BOOK	_____
No.	_____



THIS WORK WAS PREPARED BY ME OR UNDER MY SUPERVISION.
Edward C. Stevenson
Signature

428-7B	Added Sheet
DATE	REVISION

STATE OF HAWAII
DEPARTMENT OF TRANSPORTATION
LAND TRANSPORTATION FACILITIES DIVISION

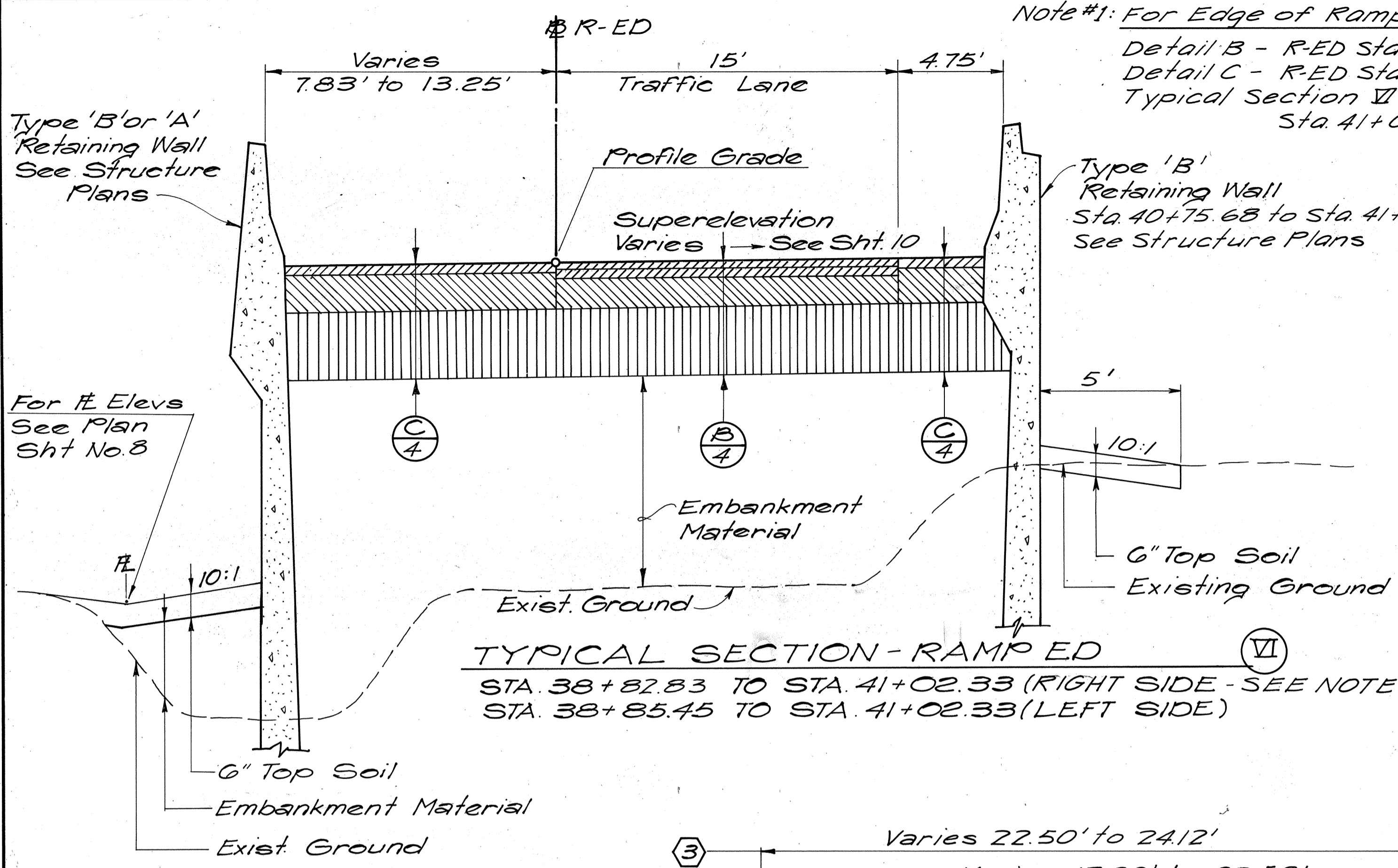
TYPICAL SECTIONS
AIRPORT ROADS

AIRPORT INTERCHANGE
F. A. I. PROJ. NO. I-HI-1(122)16
SCALE: HORIZ. 1" = 4'
VERT. 1" = 2' DATE: MARCH 27, 1978
SHEET NO. OF SHEETS

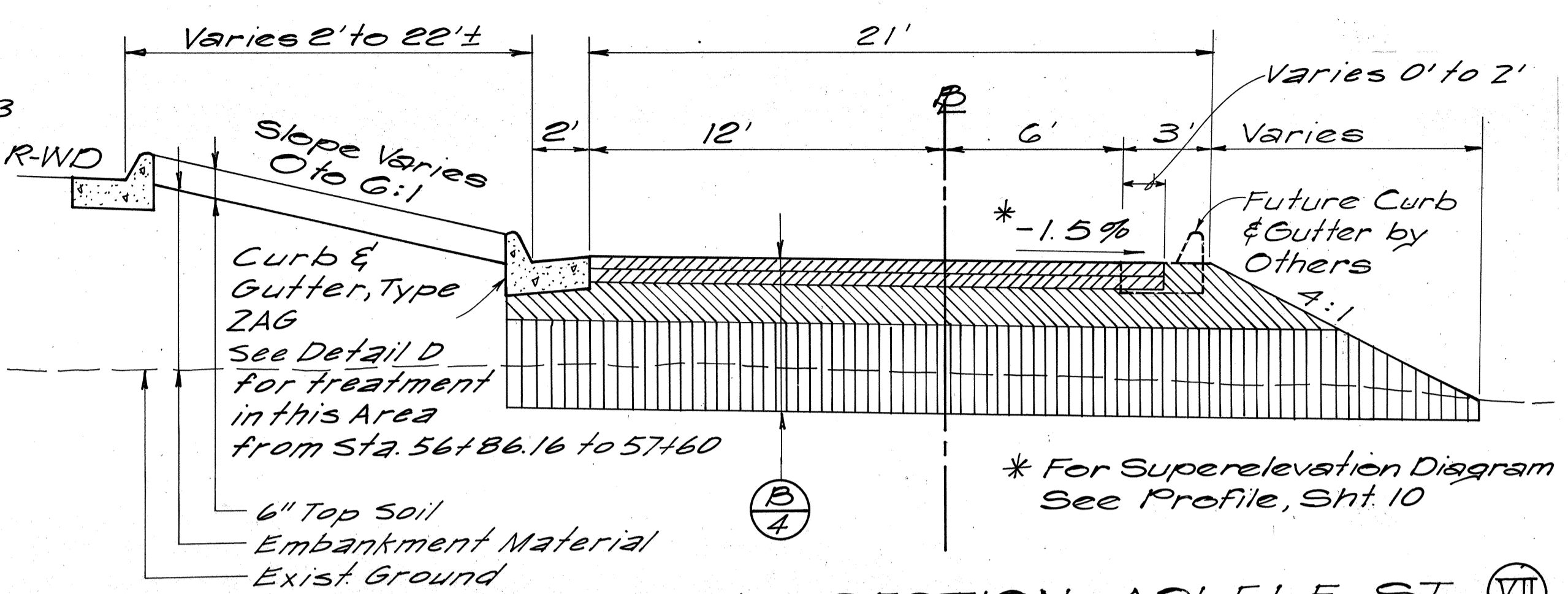
FED. ROAD DIST. NO.	STATE	FED. AID PROJ. NO.	FISCAL YEAR	SHEET NO.	TOTAL SHEETS
HAWAII	HAW.	I-HI-1(122)-16	1977	4	181

Note #1: For Edge of Ramp Treatment See:

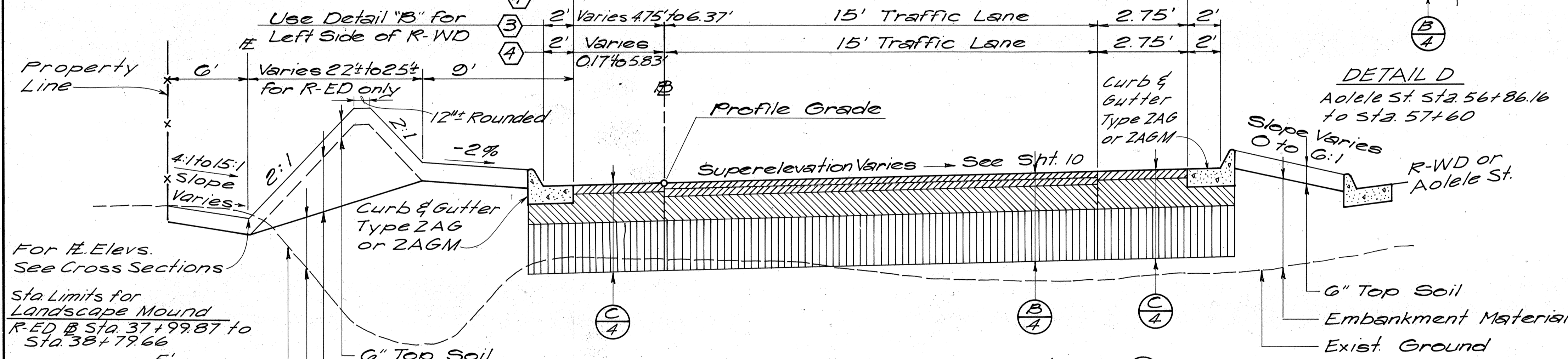
Detail B - R-ED Sta. 38+82.83 to Sta. 39+38.00
 Detail C - R-ED Sta. 39+38.00 to Sta. 40+75.68
 Typical Section VII - R-ED Sta. 40+75.68 to Sta. 41+02.33



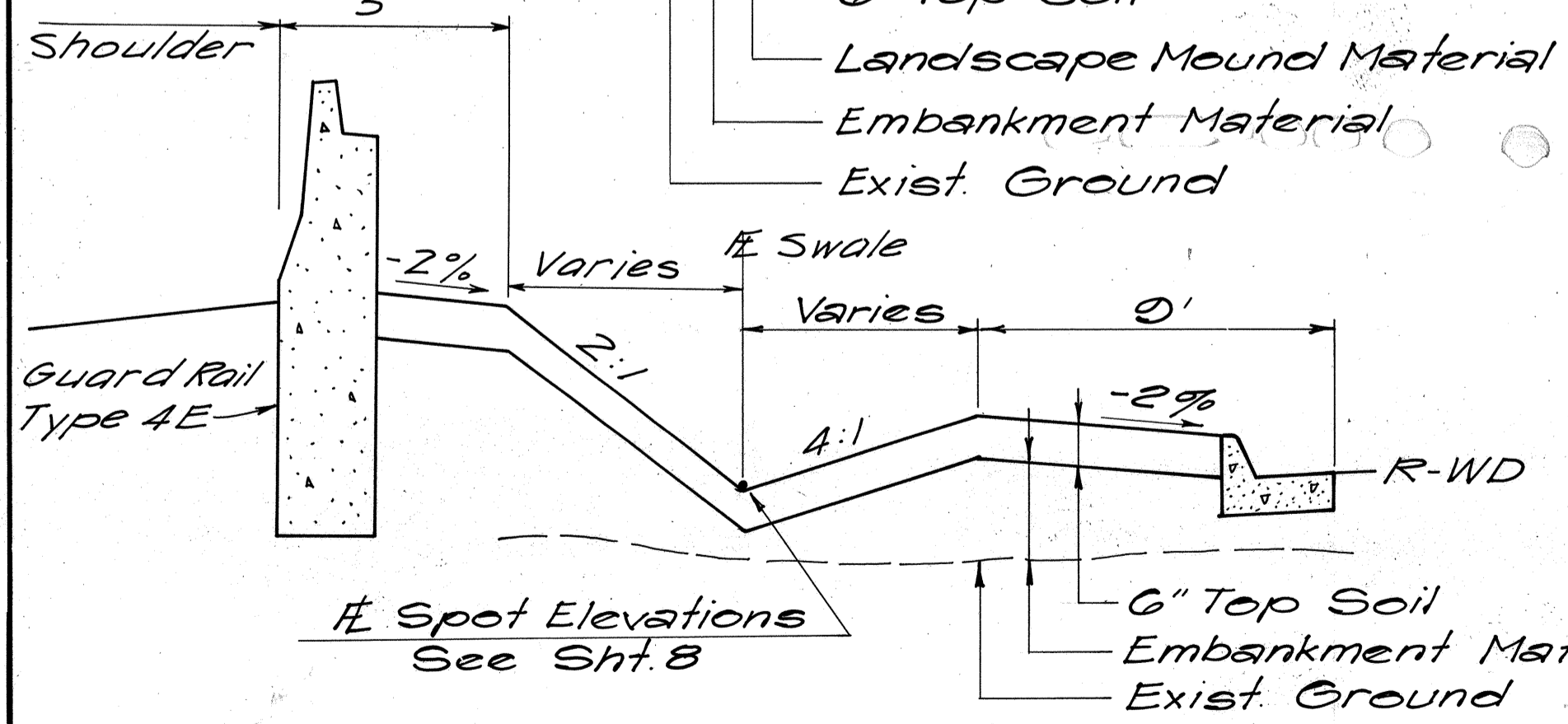
TYPICAL SECTION - RAMPED
 STA. 38+82.83 TO STA. 41+02.33 (RIGHT SIDE - SEE NOTE #1)
 STA. 38+85.45 TO STA. 41+02.33 (LEFT SIDE)



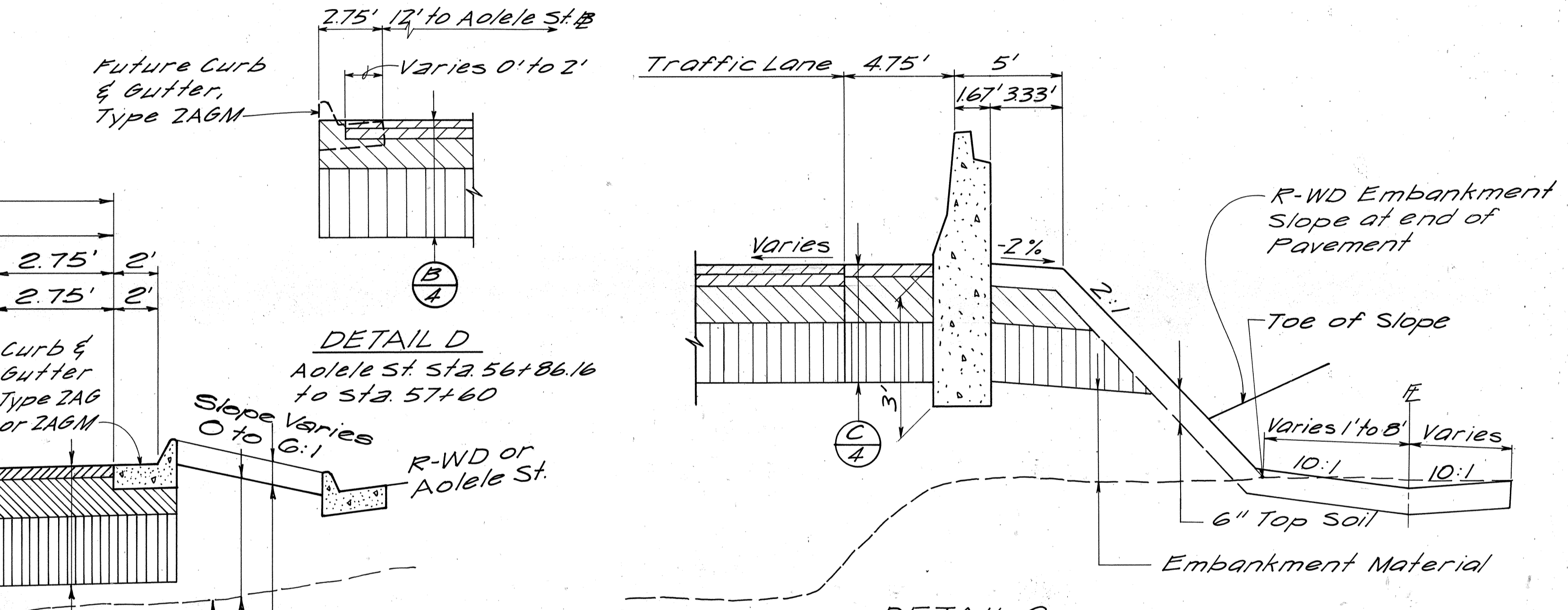
TYPICAL SECTION AOOLELE ST. VII
 STA. 56+90 TO STA. 58+40.00



TYPICAL SECTION R-WD & R-ED VII
 ③ R-WD STA. 66+79.79 TO STA. 65+37.11
 ④ R-ED STA. 37+99.87 TO STA. 38+82.83 (Rt.) & 38+85.45 (Lt.)



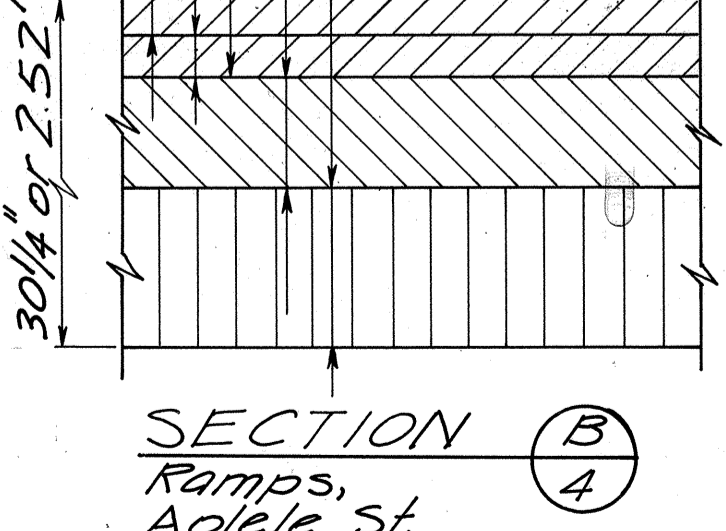
DETAIL B
 R-ED STA. 38+82.83 TO STA. 39+38.00



DETAIL D
 Aoolele St. Sta. 56+86.16 to Sta. 57+60

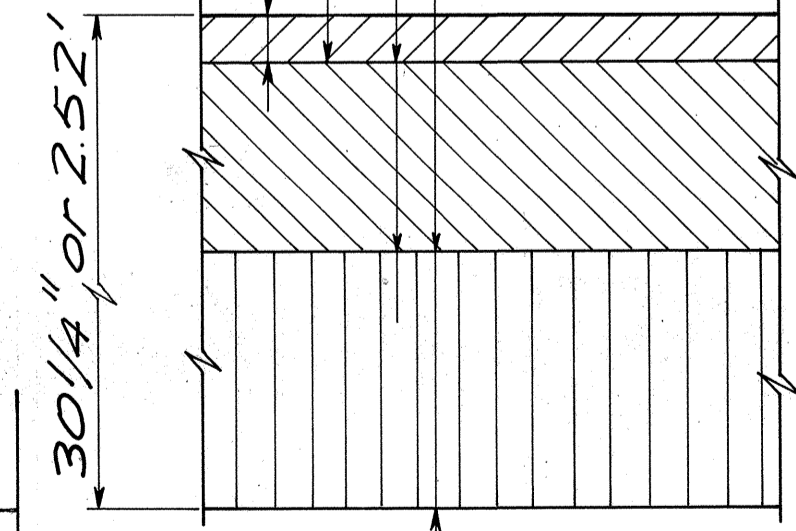
DETAIL C
 R-ED STA. 39+38.00 TO STA. 40+75.68

2" Asphalt Conc. Pavement, Mix V
 2 1/4" Asphalt Conc. Pavement, Mix III
 MC-30 Liquid Asphalt for Prime Coat
 8" Aggregate Base
 18" Aggregate Subbase



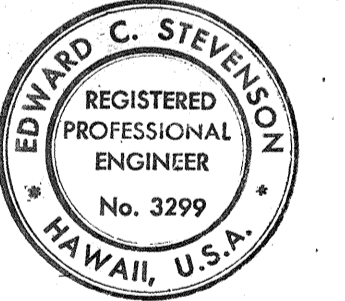
SECTION B
 Ramps, Aoolele St.

2 1/2" Asphalt Conc. Pavement, Mix III
 MC-30 Liquid Asphalt for Prime Coat
 9 3/4" Aggregate Base
 18" Aggregate Subbase



SECTION C
 Ramp Shoulders

NO.	DATE	REVISION
2	4-28-78	Added Detail D Revised Section VII
1	8-18-77	Replaced R-ED Retaining Wall with Guard Rail Type 4E between Sta. 38+82.83 and Sta. 40+75.68 Rt.



THIS WORK WAS PREPARED BY ME OR UNDER MY SUPERVISION.
 Signature: Edward C. Stevenson

STATE OF HAWAII
 DEPARTMENT OF TRANSPORTATION
 HIGHWAYS DIVISION

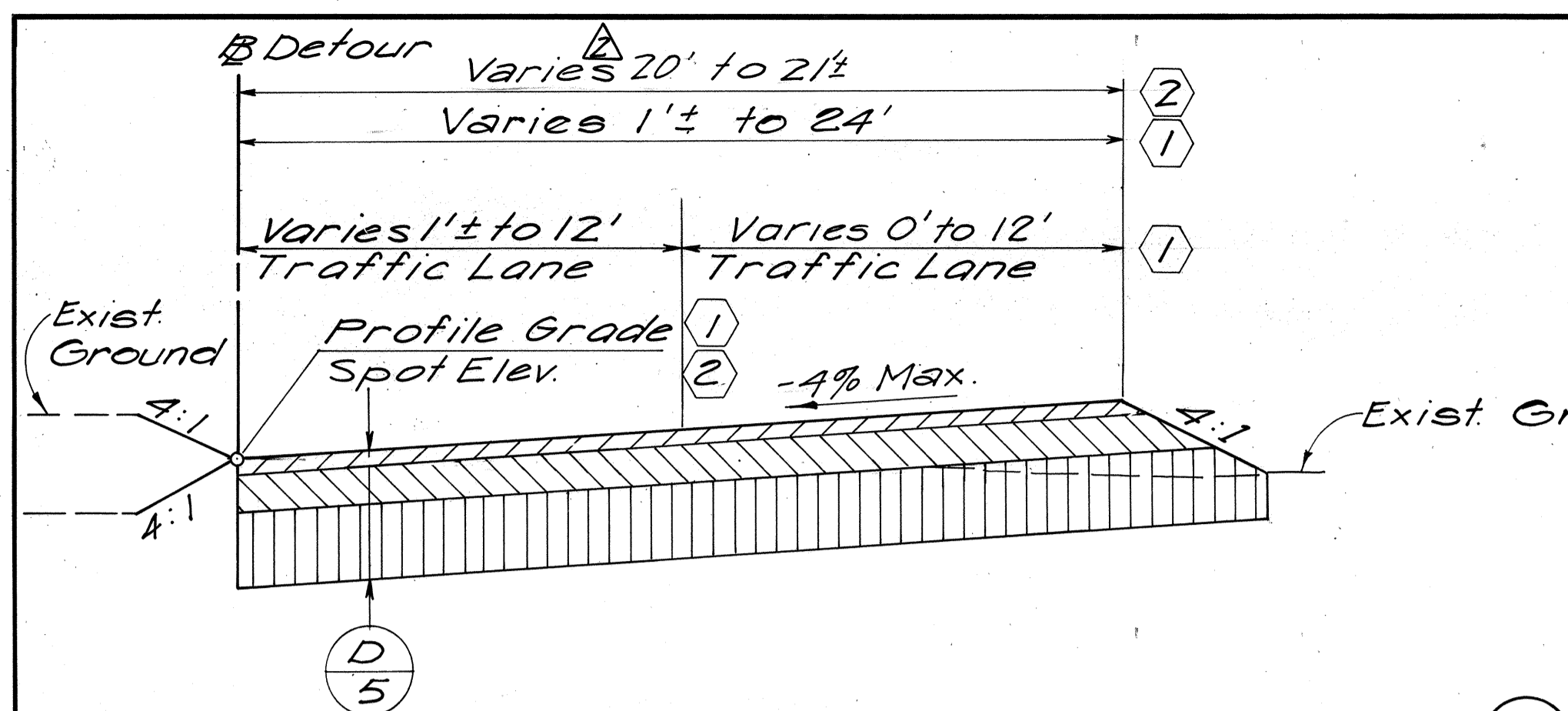
**TYPICAL SECTIONS
 RAMPS & STREETS**

AIRPORT INTERCHANGE
 F.A.I. PROJ. NO. I-HI-1(122)-16
 SCALE: HORIZ. 1"=4'
 VERT. 1"=2' DATE: FEB. 1, 1977

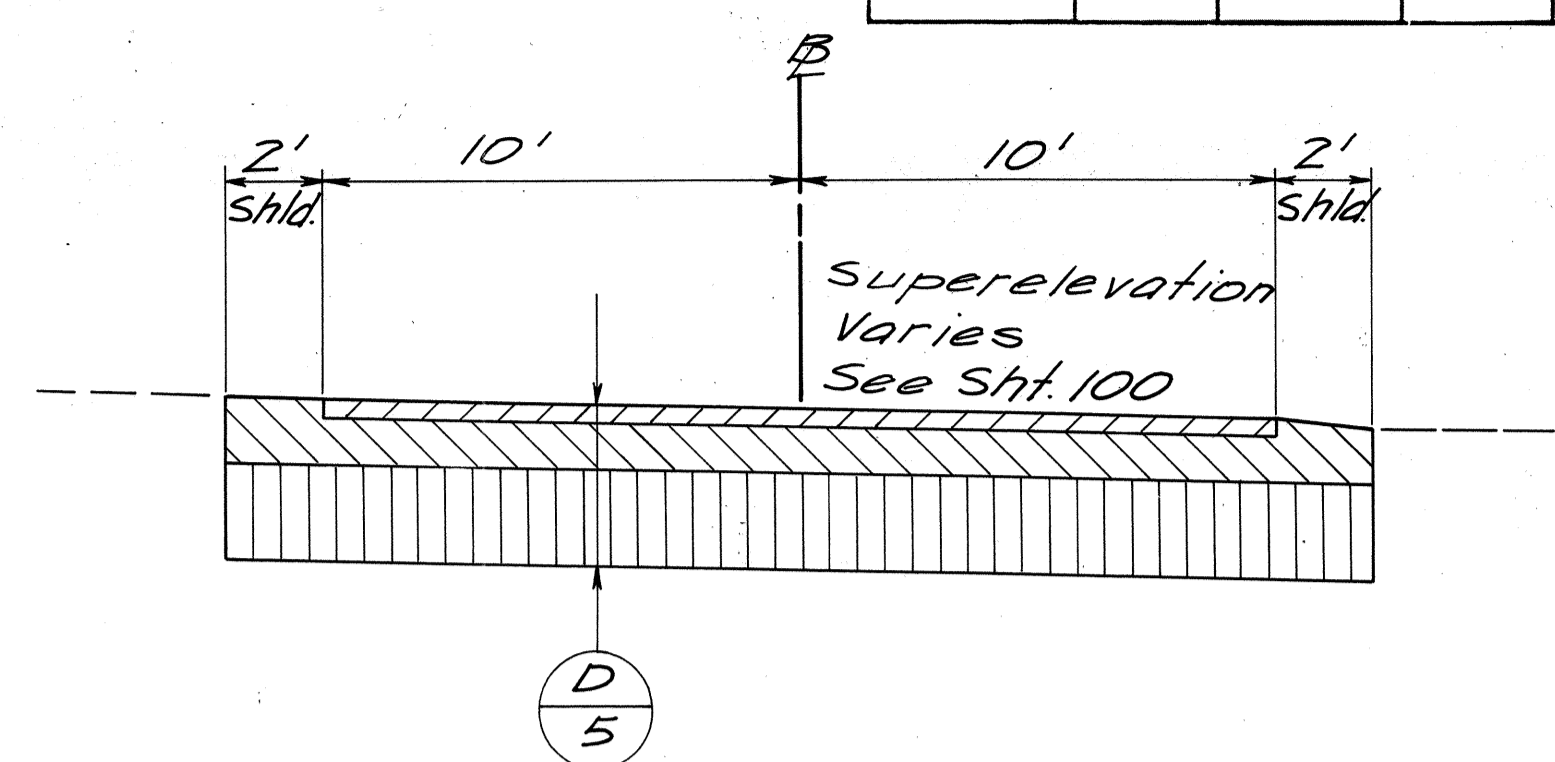
SHEET No. 2 OF 3 SHEETS

COADD4

FED. ROAD DIST. NO.	STATE	FED. AID PROJ. NO.	FISCAL YEAR	SHEET NO.	TOTAL SHEETS
HAWAII	HAW.	1-HI-1(22)-16	1977	5	181

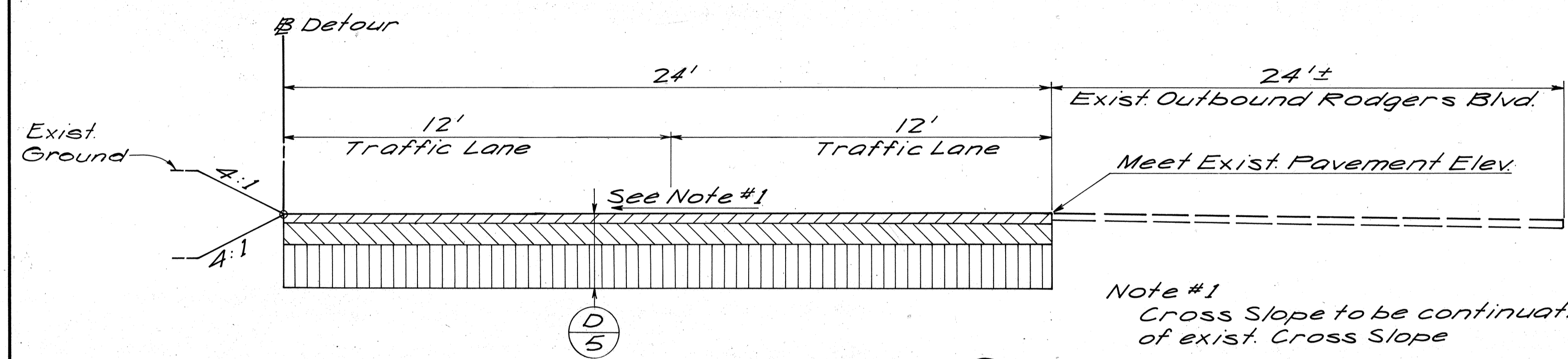


TYP. SECTION - POST OFFICE ACCESS ROAD (XI)
Sta. 10+00± to Sta. 11+60.76

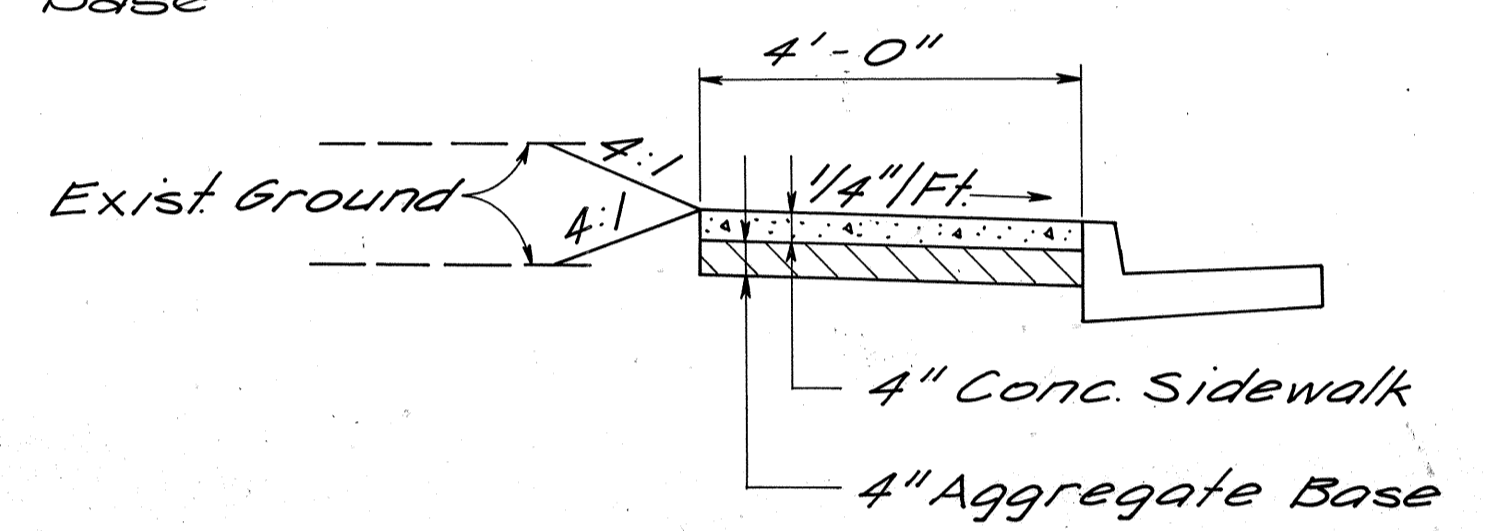
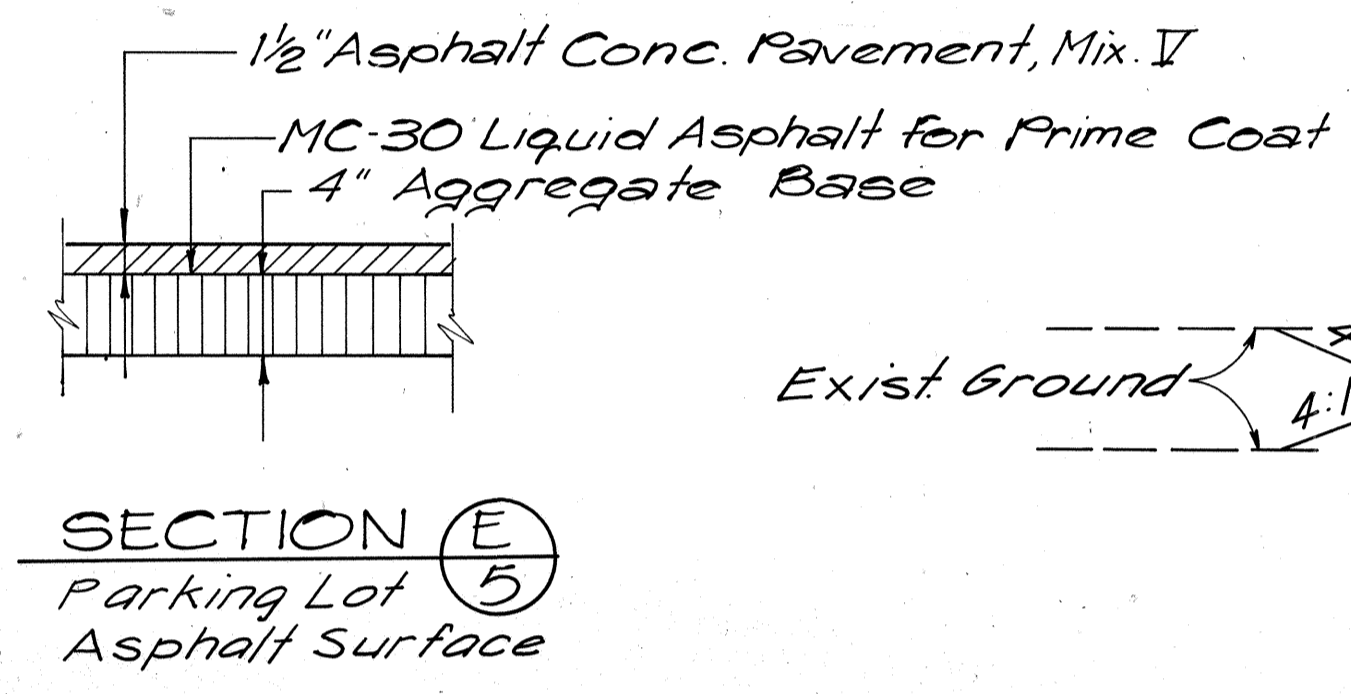


TYPICAL SECTION AIR CARGO ROAD (XIII)
Sta. 0+00 to Sta. 6+75

- ① Sta. 6+26 to Sta. 9+50 - Phase I
- ② Sta. 5+09.95 to Sta. 6+11± - Phase III

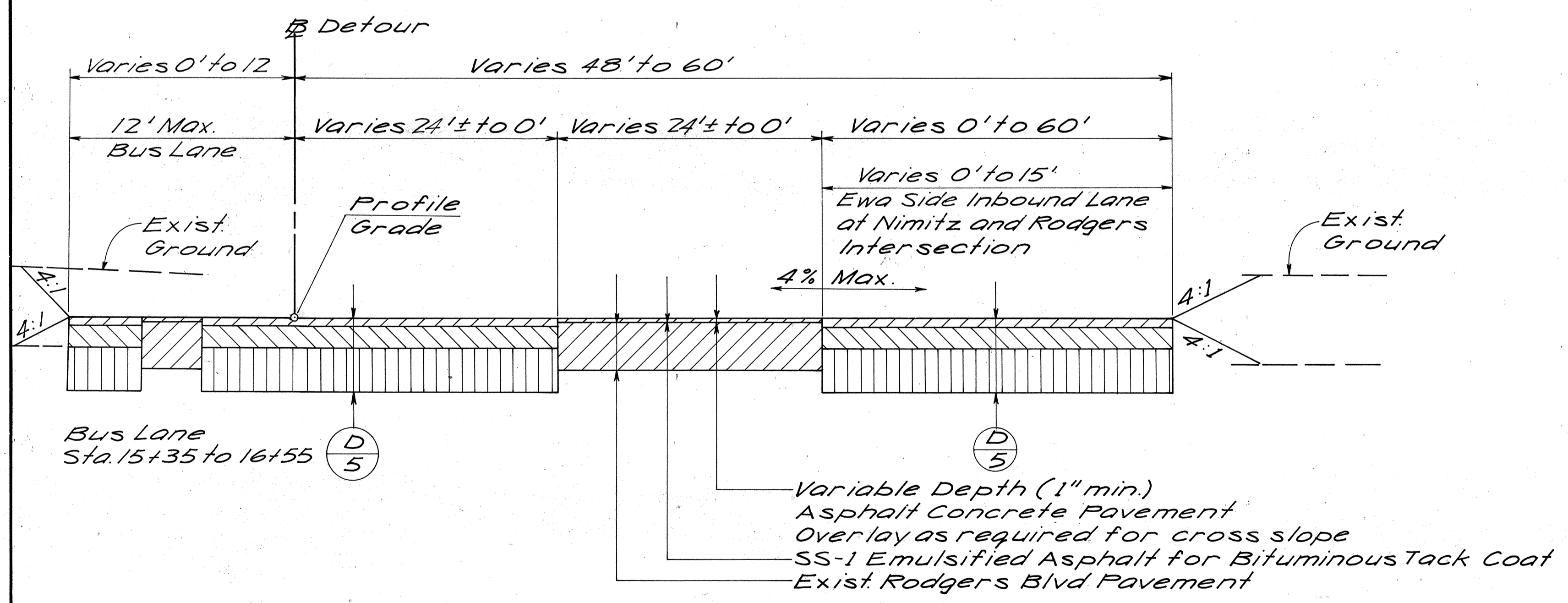


TYP. SECTION - RODGERS BLVD. DETOUR (IX)
Sta. 9+50 to Sta. 14+45.85

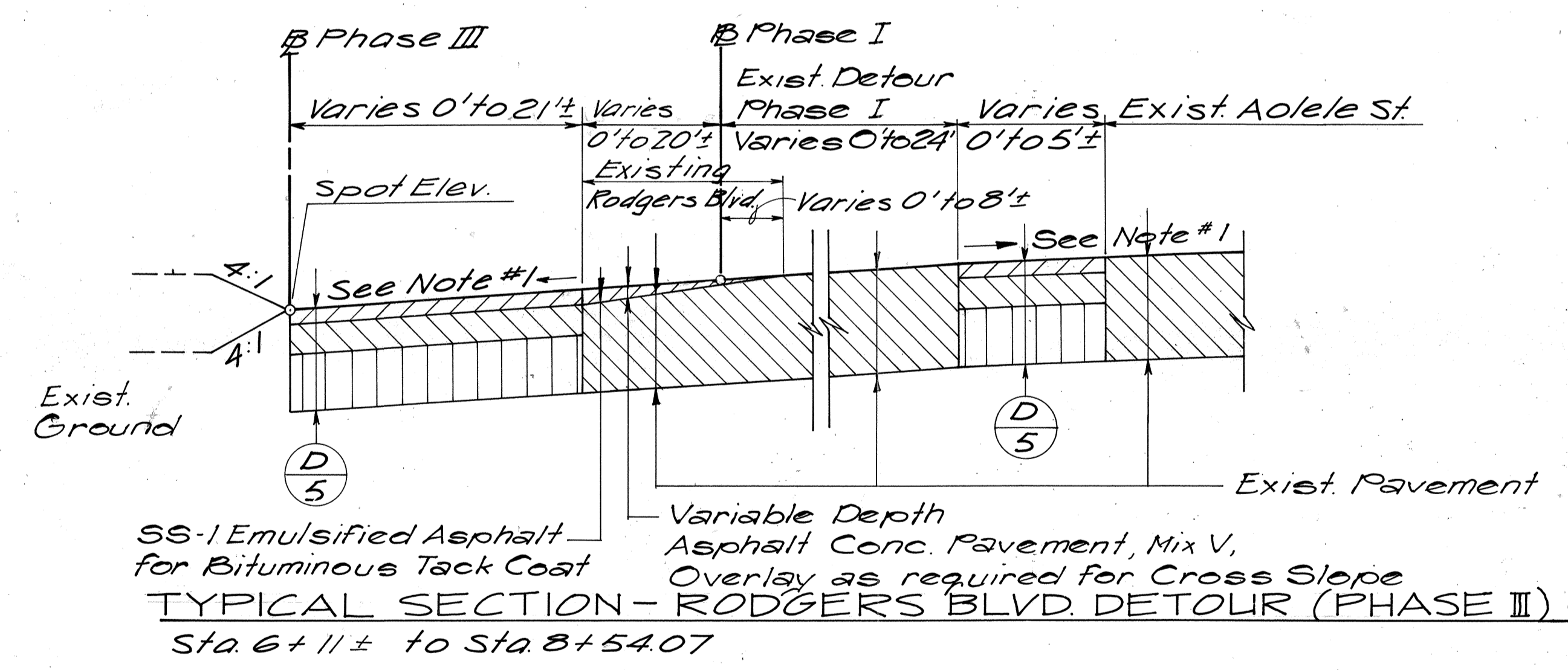


TYPICAL SECTION CONC. SIDEWALK (XIV)
NOT TO SCALE

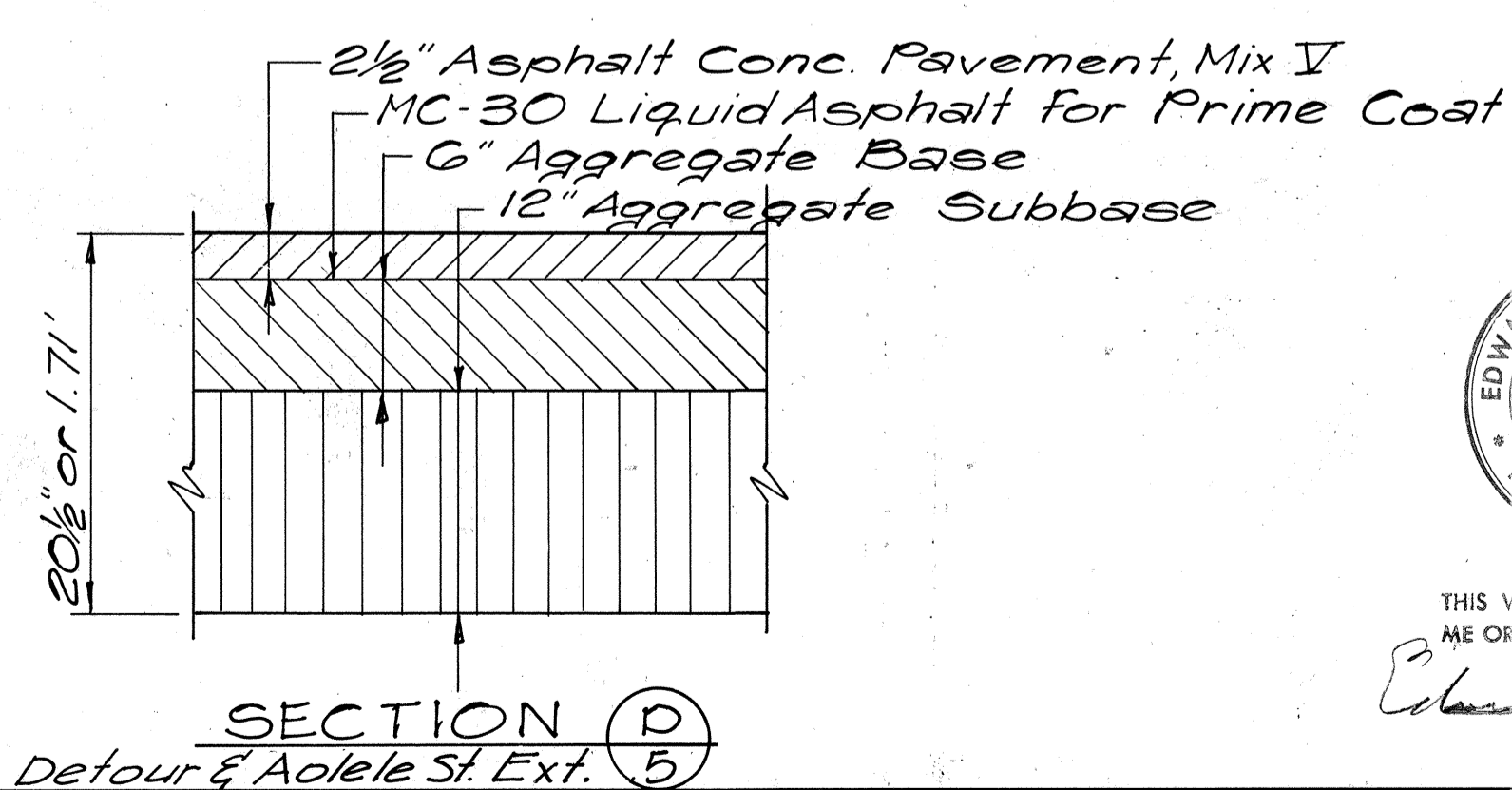
Note #1
Cross Slope to be continuation of exist. Cross Slope



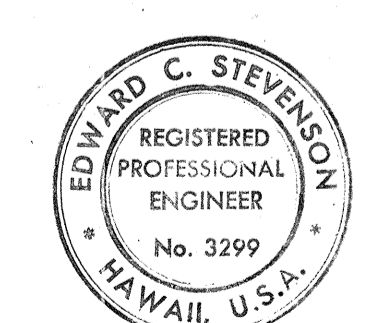
TYP. SECTION - RODGERS BLVD. DETOUR AND BUS LANE (X)
Sta. 14+45.85 to Sta. 18+71±



TYPICAL SECTION - RODGERS BLVD. DETOUR (PHASE III) (XII)
Sta. 6+11± to Sta. 8+54.07



NO.	DATE	REVISION
1	4-28-78	Revised Roadway Width for Detour (Typ. Section VIII)
1	8-18-77	Moved Bus Lane from Section IX to Section X



THIS WORK WAS PREPARED BY ME OR UNDER MY SUPERVISION.
Edward C. Stevenson
Signature

STATE OF HAWAII
DEPARTMENT OF TRANSPORTATION
HIGHWAYS DIVISION

TYPICAL SECTIONS
RODGERS BLVD DETOURS
AND PARKING LOT

AIRPORT INTERCHANGE
F.A.I. PROJ. NO. I-HI-1(22)-16
SCALE: HORIZ. 1"=4'
VERT. 1"=2' DATE: FEB. 1, 1977

SHEET No. 3 OF 3 SHEETS

CO ADD 5