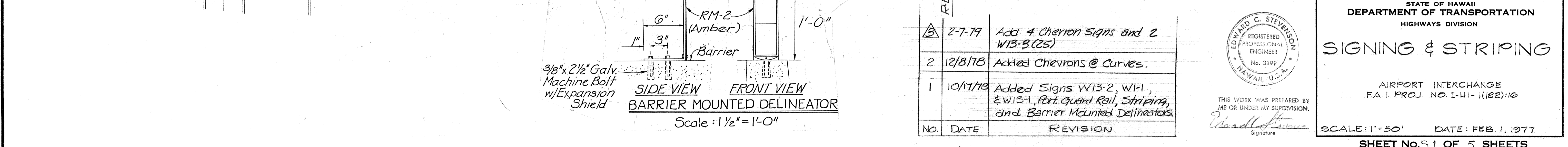
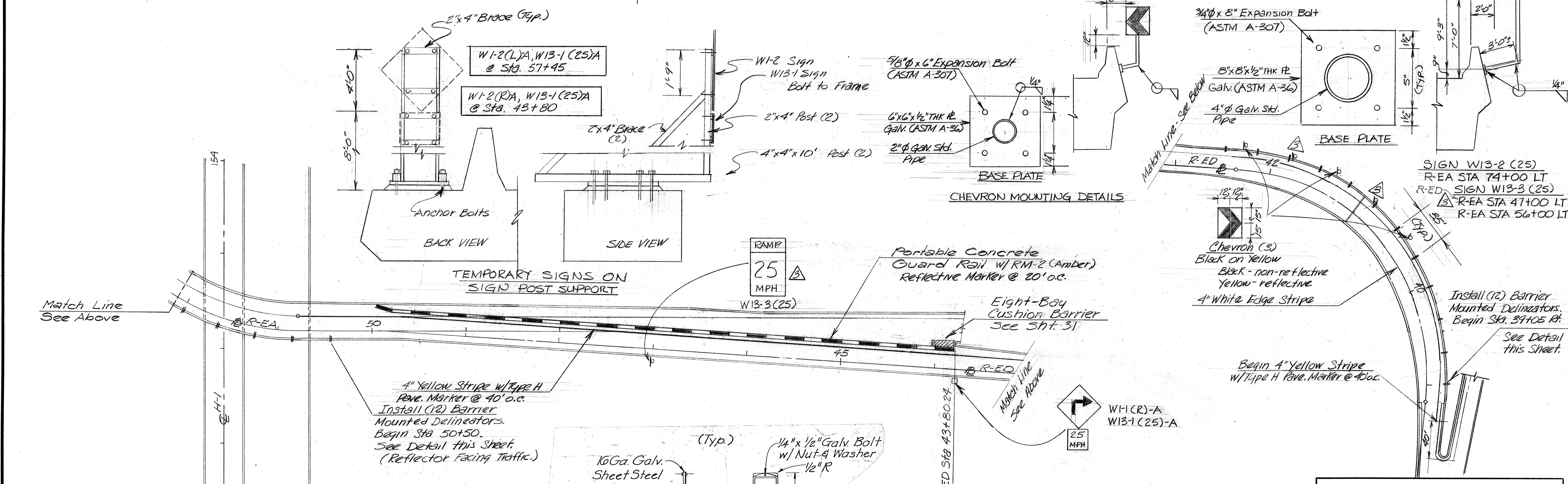
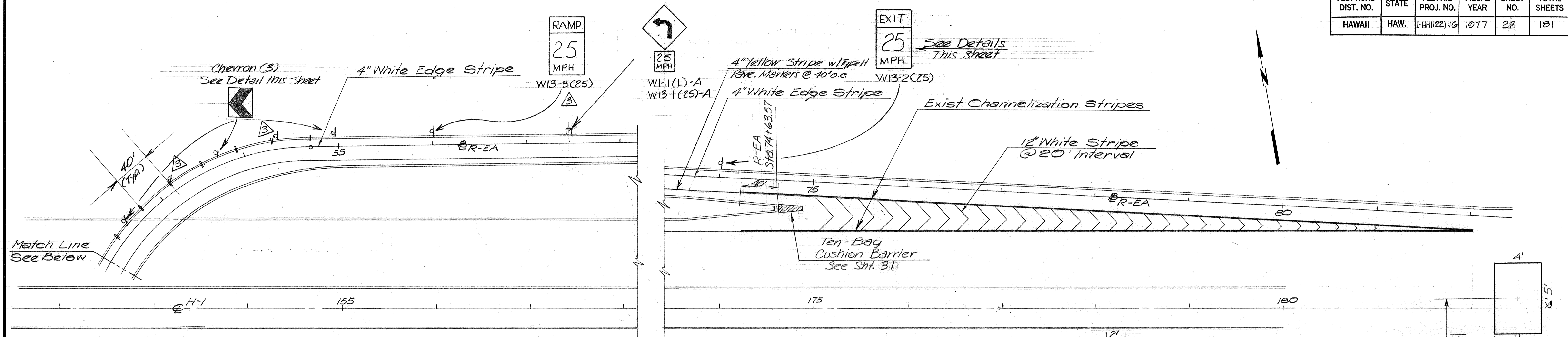
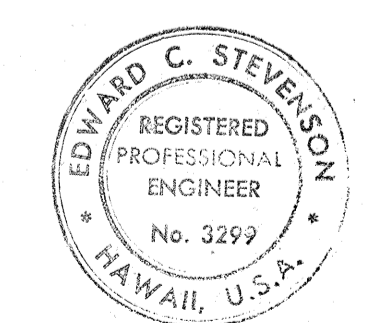


FED. ROAD DIST. NO.	STATE	FED. AID PROJ. NO.	FISCAL YEAR	SHEET NO.	TOTAL SHEETS
HAWAII	HAW.	I-H(122)-16	1977	22	181



NO.	DATE	REVISION
2	7-7-79	Add 4 Chevron Signs and 2 W13-3 (25)
2	12/8/78	Added Chevrons @ Curves.
1	10/17/78	Added Signs W13-2, W11, & W13-1, Port. Guard Rail, Striping, and Barrier Mounted Delineators



STATE OF HAWAII
DEPARTMENT OF TRANSPORTATION
HIGHWAYS DIVISION

SIGNING & STRIPING

AIRPORT INTERCHANGE
F.A.I. PROJ. NO. I-H-1(122)-16

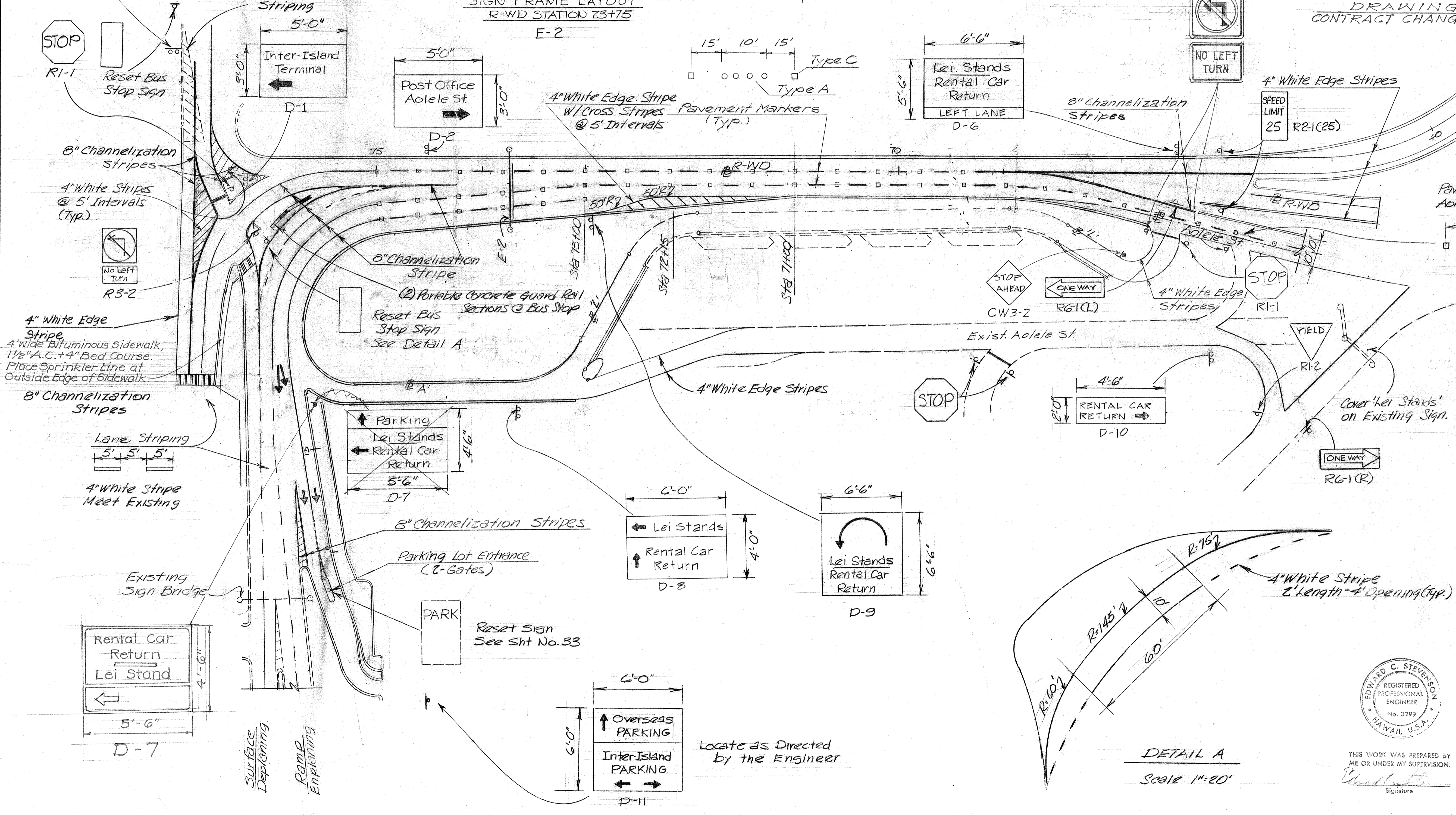
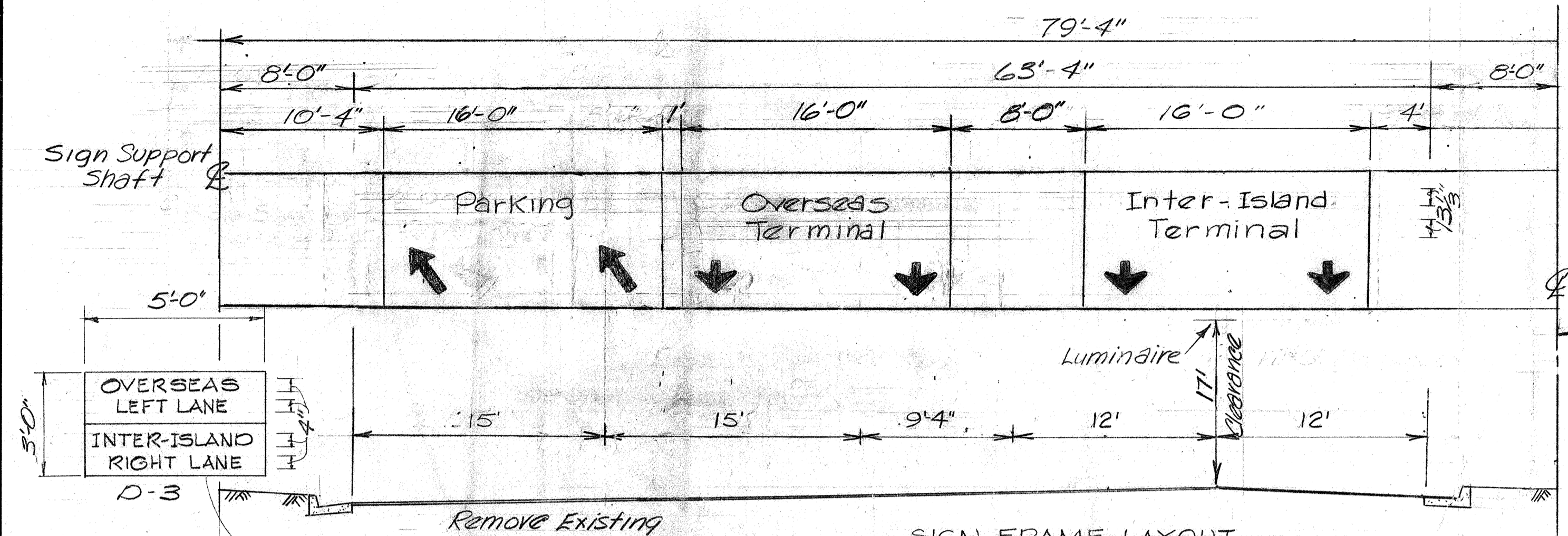
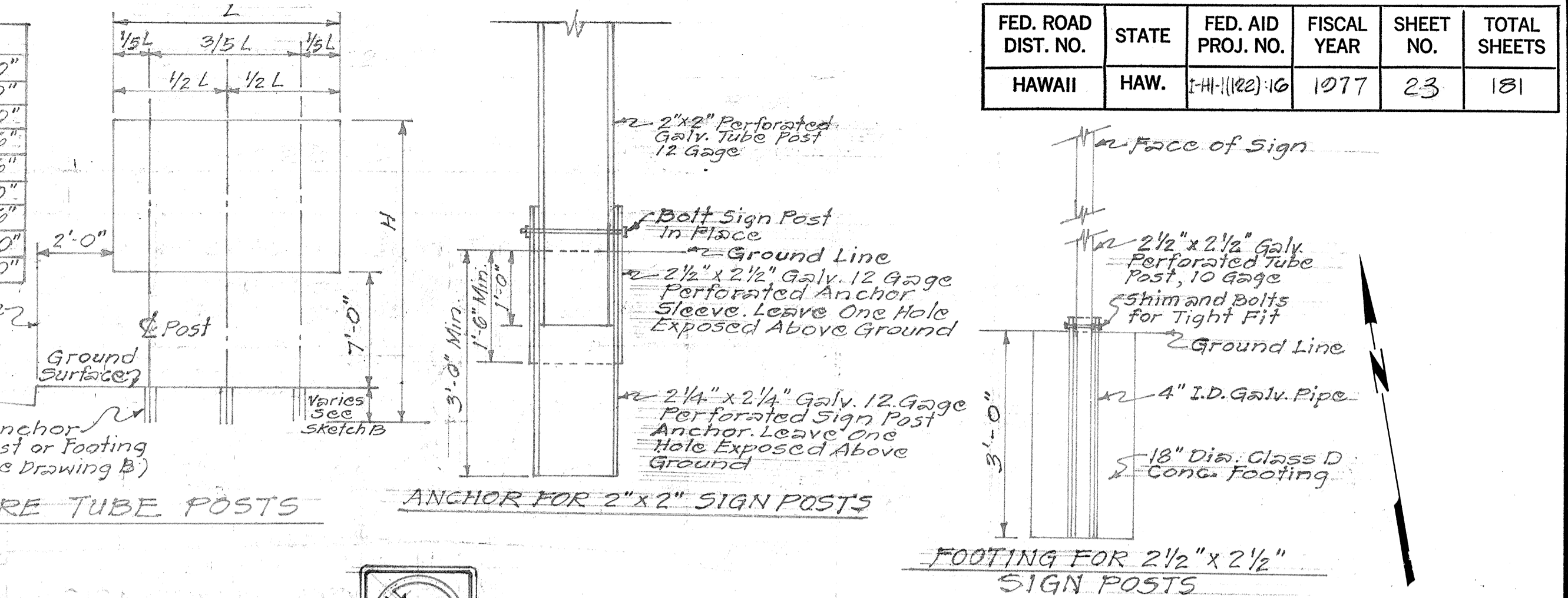
SCALE: 1" = 50' DATE: FEB. 1, 1977

SHEET NO. 51 OF 5 SHEETS

SURVEY PLOTTED BY	DATE
DRAWN BY	
DESIGNED BY	
QUANTITIES BY	
CHECKED BY	

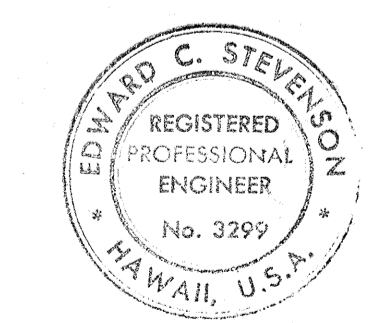
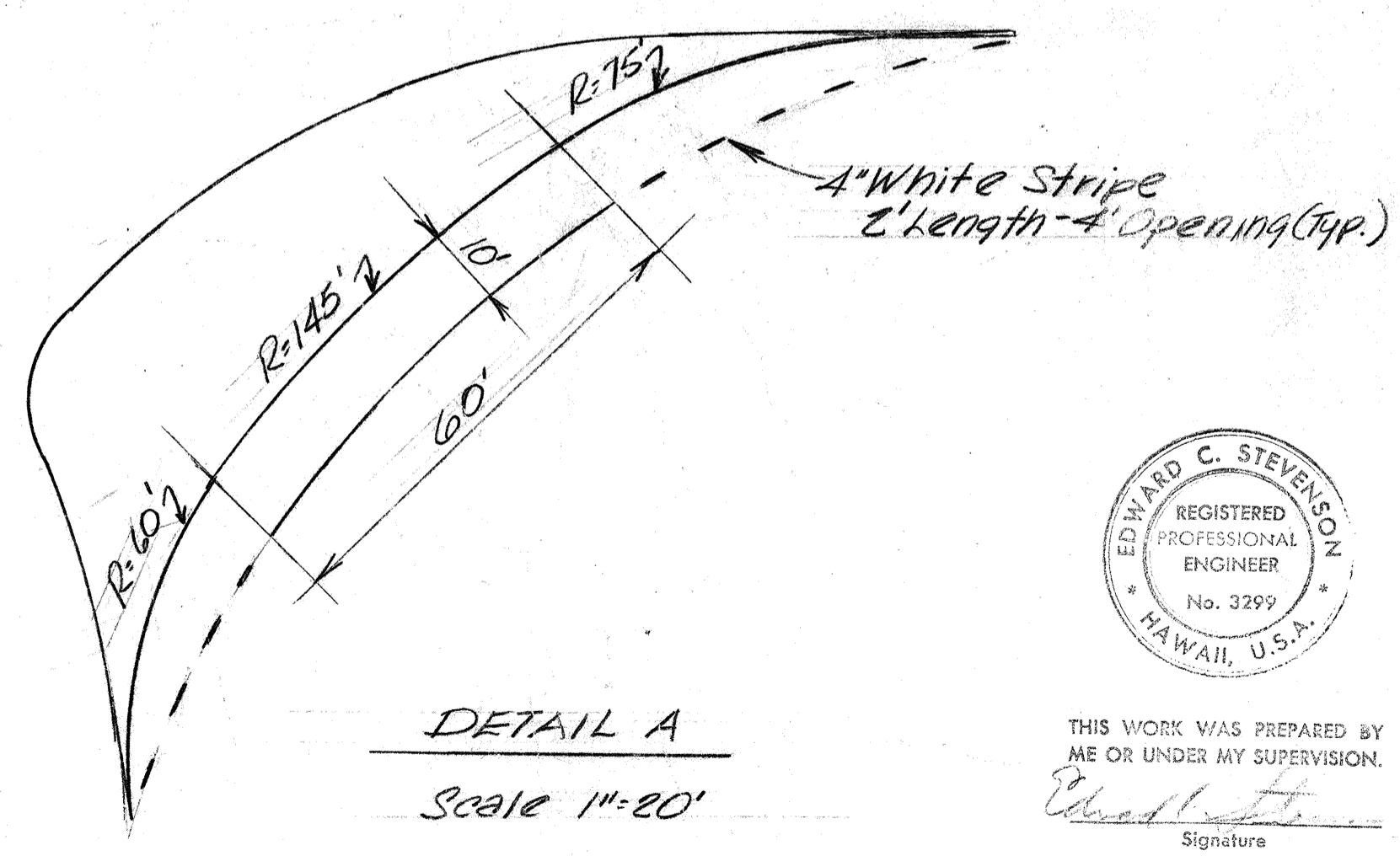
FED. ROAD DIST. NO.	STATE	FED. AID PROJ. NO.	FISCAL YEAR	SHEET NO.	TOTAL SHEETS
HAWAII	HAW.	[H-11(22)-16	1977	23	181

SIGN	NO. OF POSTS	TUBE SIZE	GAGE	WT/LF LBS.	H
D-1	2	2" x 2"	12	2.416	11'-0"
D-2	2	2" x 2"	12	2.416	11'-0"
D-3	2	2" x 2"	12	2.416	11'-0"
D-6	3	2 1/2" x 2 1/2"	10	4.006	15'-6"
D-7	2	2 1/2" x 2 1/2"	10	4.006	14'-6"
D-8	2	2 1/2" x 2 1/2"	10	4.006	14'-0"
D-9	3	2 1/2" x 2 1/2"	10	4.006	16'-0"
D-10	2	2" x 2"	12	2.416	10'-0"
D-11	3	2 1/2" x 2 1/2"	10	4.006	16'-0"



Pavement Stripes (Top)
Aolele St. to R-WD Sta 69+00
Type C
4\"/>

NO.	DATE	REVISION
8	1-11-79	Eliminate Sign E-1
7	1-10-79	Changed Panels @ Sign E-2
6	10-4-78	Relocate Sign E-1 & D-6. Deleted Inertial Barriers.
5	9-25-78	Add two (2) 'stop' signs. Add two (2) one way signs. Eliminate one (1) D-10 sign. Changed Signs D-6 & D-9.
4	7-12-78	Added Inertial Barriers @ Signs E-1 & E-2. Added Portable Conc. G.R. @ Bus Stop & Changed X-Walk.
3	6-26-78	Added Speed Limit Signs (2). Added Bus Stops, Moved Sign D-6
2	4-28-78	Changed Sign E-2 (C). Added Signs D-6, D-7, D-8, D-9, D-10 & D-11. Added Signs R-1, R-2, & CW-3-2. Added Ingress & Egress from Future Lei Stands & Access to Car Rental Return Road. Striped Traffic Islands at R-WD 76+00
1	10-3-77	Revised Pavement Marker Detail. Relocated Sign E-1



THIS WORK WAS PREPARED BY ME OR UNDER MY SUPERVISION.
Signature

STATE OF HAWAII
DEPARTMENT OF TRANSPORTATION
HIGHWAYS DIVISION

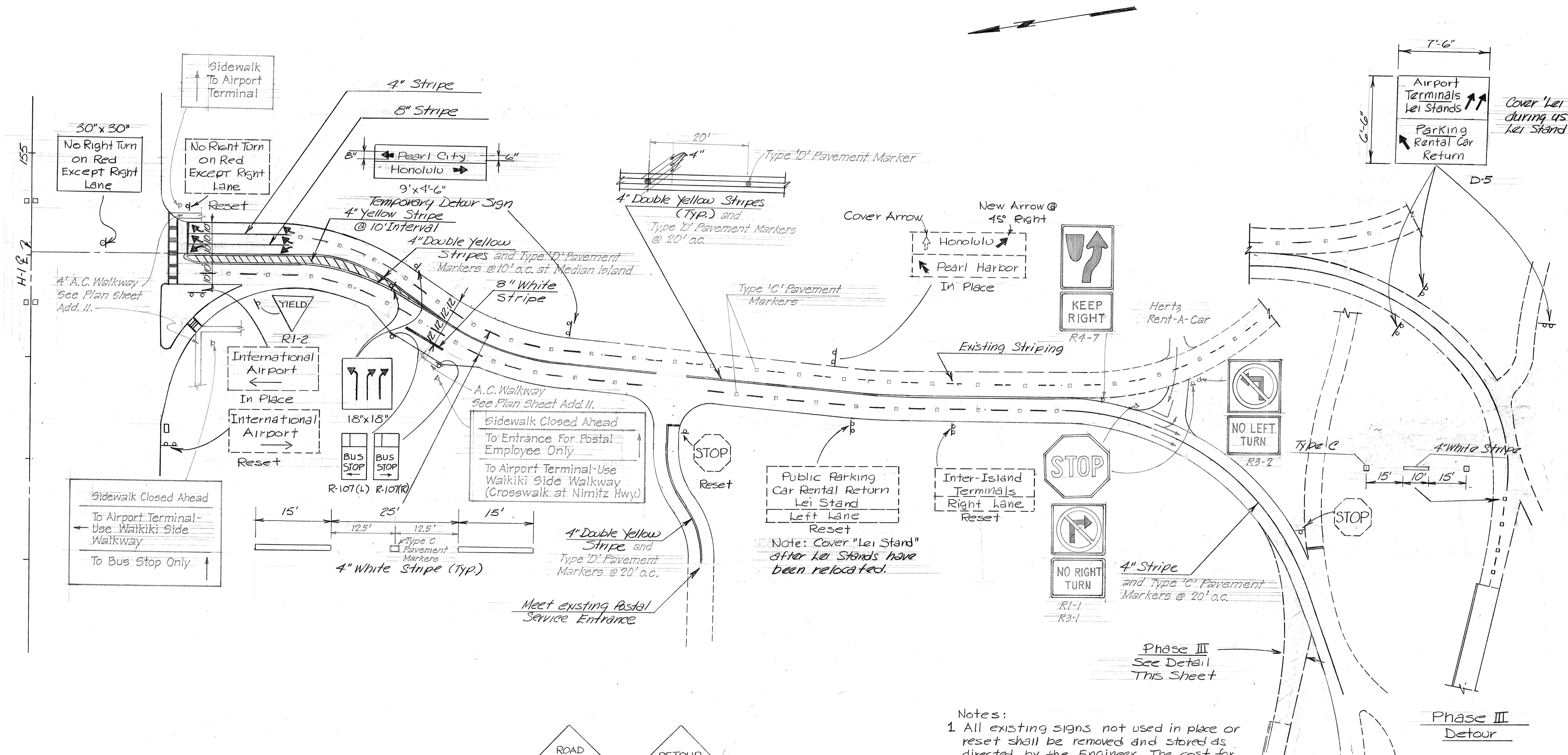
SIGNING & STRIPING

AIRPORT INTERCHANGE
F.A.I. PROJ. NO I-HI-11(22)-16

SCALE: AS SHOWN DATE: FEB. 1, 1977
SHEET NO. 2 OF 5 SHEETS

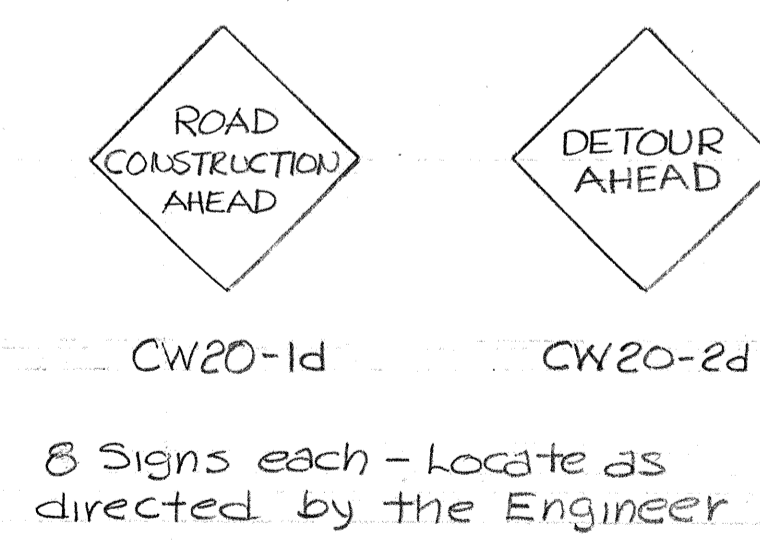
SURVEY PLOTTED BY	DATE
DRAWN BY	
TRACED BY	
DESIGNED BY	
CHECKED BY	
ORIGINAL PLAN	
NOTE BOOK	
No.	

FED. ROAD DIST. NO.	STATE	FED. AID PROJ. NO.	FISCAL YEAR	SHEET NO.	TOTAL SHEETS
HAWAII	HAW.	I-HI-1(122)16	1977	24	181



- Notes:
- 1 All existing signs not used in place or reset shall be removed and stored as directed by the Engineer. The cost for removing signs and delivery shall be incidental to Item No. 632.3100
 - 2 Existing destination signs to be reset shall be mounted on temporary wood sign frames. Existing supports for relocated destination signs shall be removed and stored as directed by the Engineer. The cost for removing and delivery of sign supports shall be incidental to Item No. 632.3000

NO.	DATE	REVISION
4	7-12-78	Changed Phase III Detour & Lei Stand signs. See Sheet CO23A
3	4-28-78	Added Sign D-5, Changed Phase III Detour Striping
2	11-21-77	Deleted "U.S. Postal Service" sign.
1	8-18-77	Moved BUS Stop from 12+40 Lt. to 15+95 Lt.



STATE OF HAWAII
DEPARTMENT OF TRANSPORTATION
HIGHWAYS DIVISION

SIGNING & STRIPING
RODGERS BLVD DETOUR
PHASE I & III

AIRPORT INTERCHANGE
F.A.I. PROJ. I-HI-1(122):16

SCALE: 1"=50' DATE: FEB 1, 1977

SHEET No. 24 OF 5 SHEETS

EDWARD C. STEVENSON
REGISTERED PROFESSIONAL ENGINEER
No. 3299
HAWAII, U.S.A.

THIS WORK WAS PREPARED BY ME OR UNDER MY SUPERVISION.

Signature

DATE	_____
CHECKED BY	_____
QUANTITIES BY	_____
DESIGNED BY	_____
DRAWN BY	_____
PLANNED BY	_____
DATE	_____

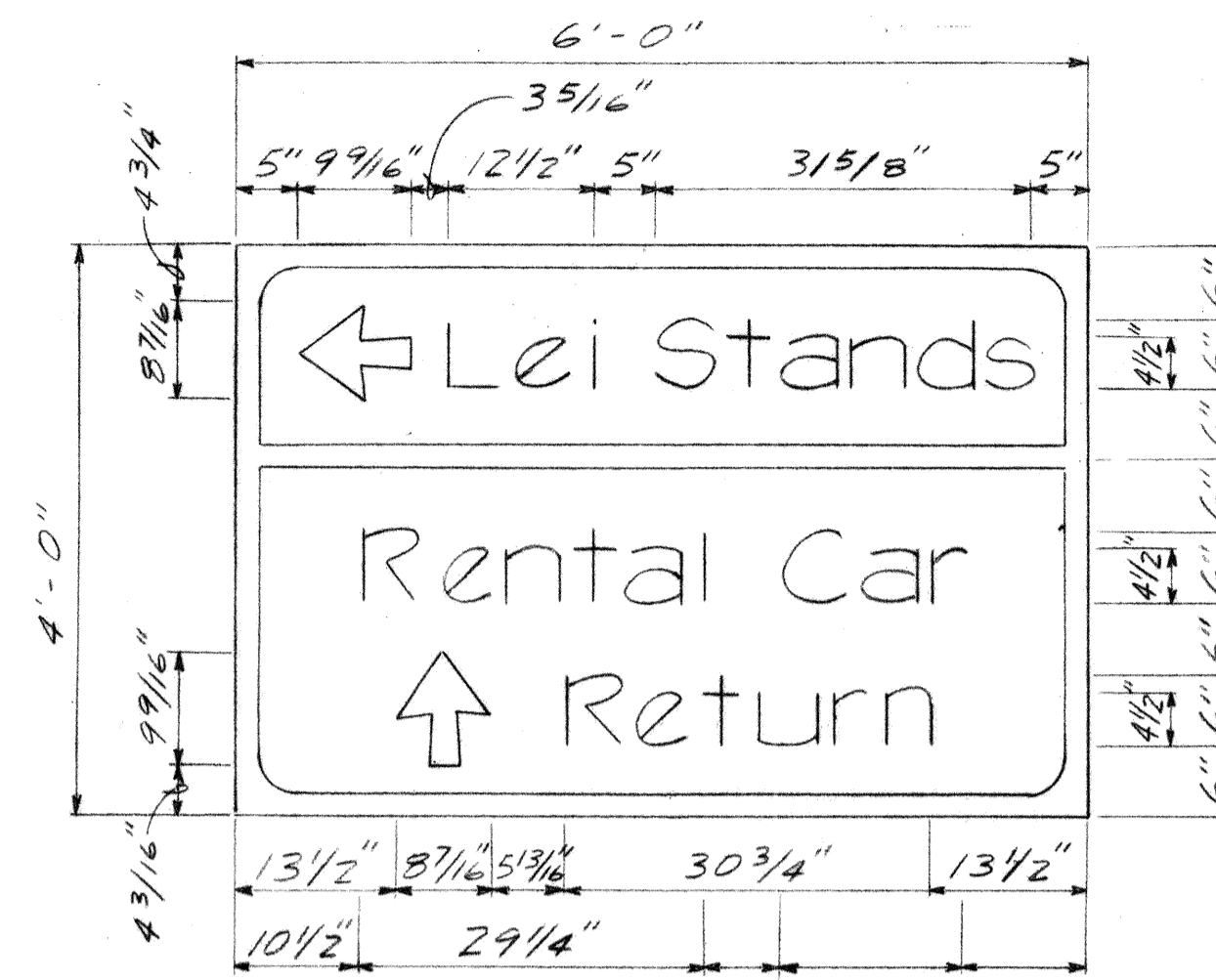
FED. ROAD DIST. NO.	STATE	FED. AID PROJ. NO.	FISCAL YEAR	SHEET NO.	TOTAL SHEETS
HAWAII	HAW.	I-HI-1(122)16	1977	25A	181



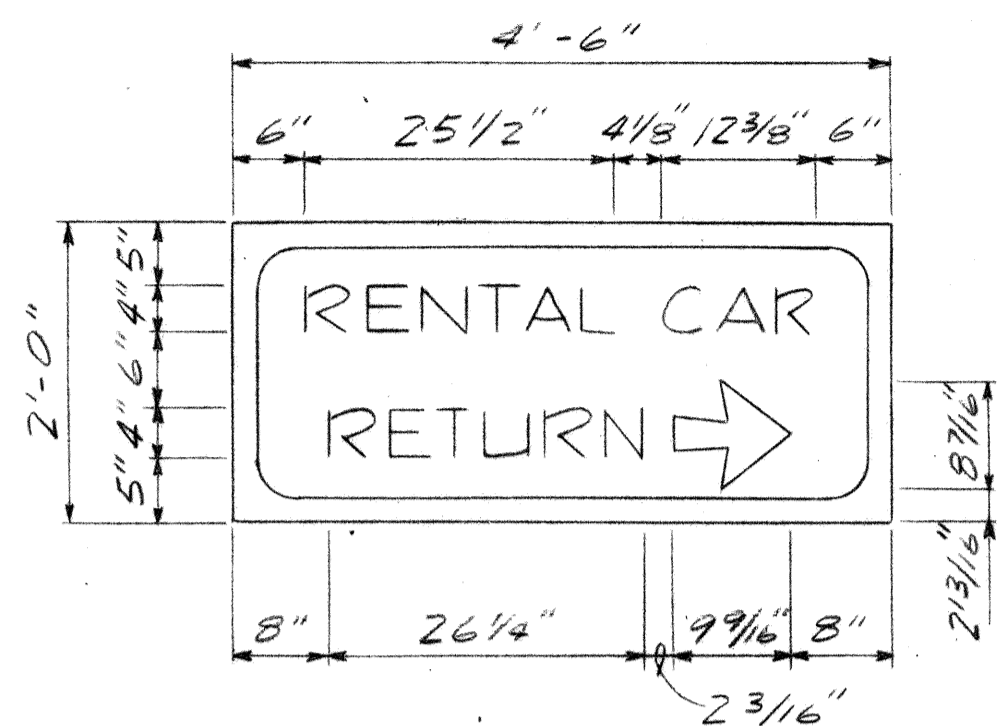
D-11
SCALE 1/2" = 1'-0"



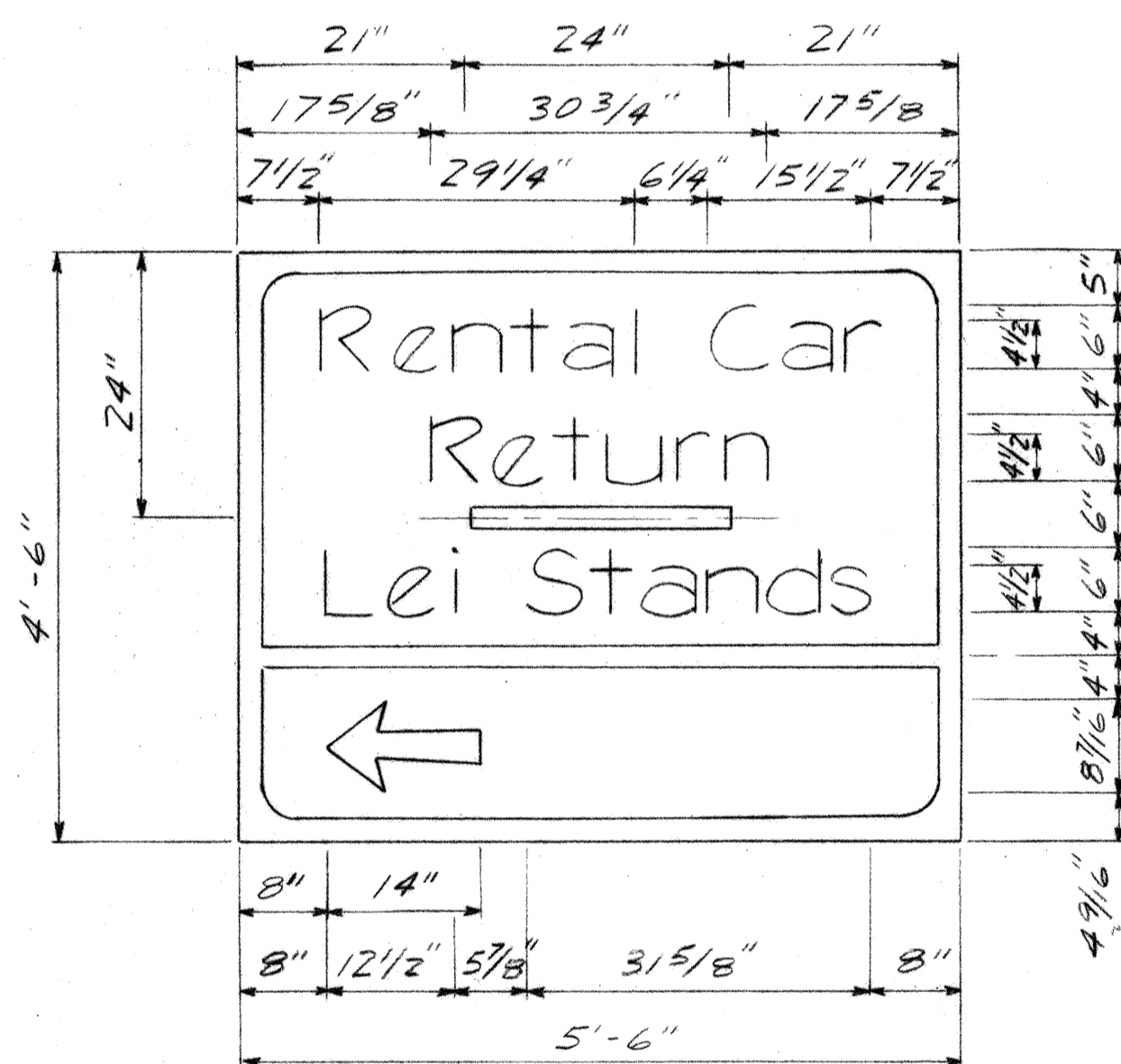
D-6
SCALE 3/4" = 1'-0"



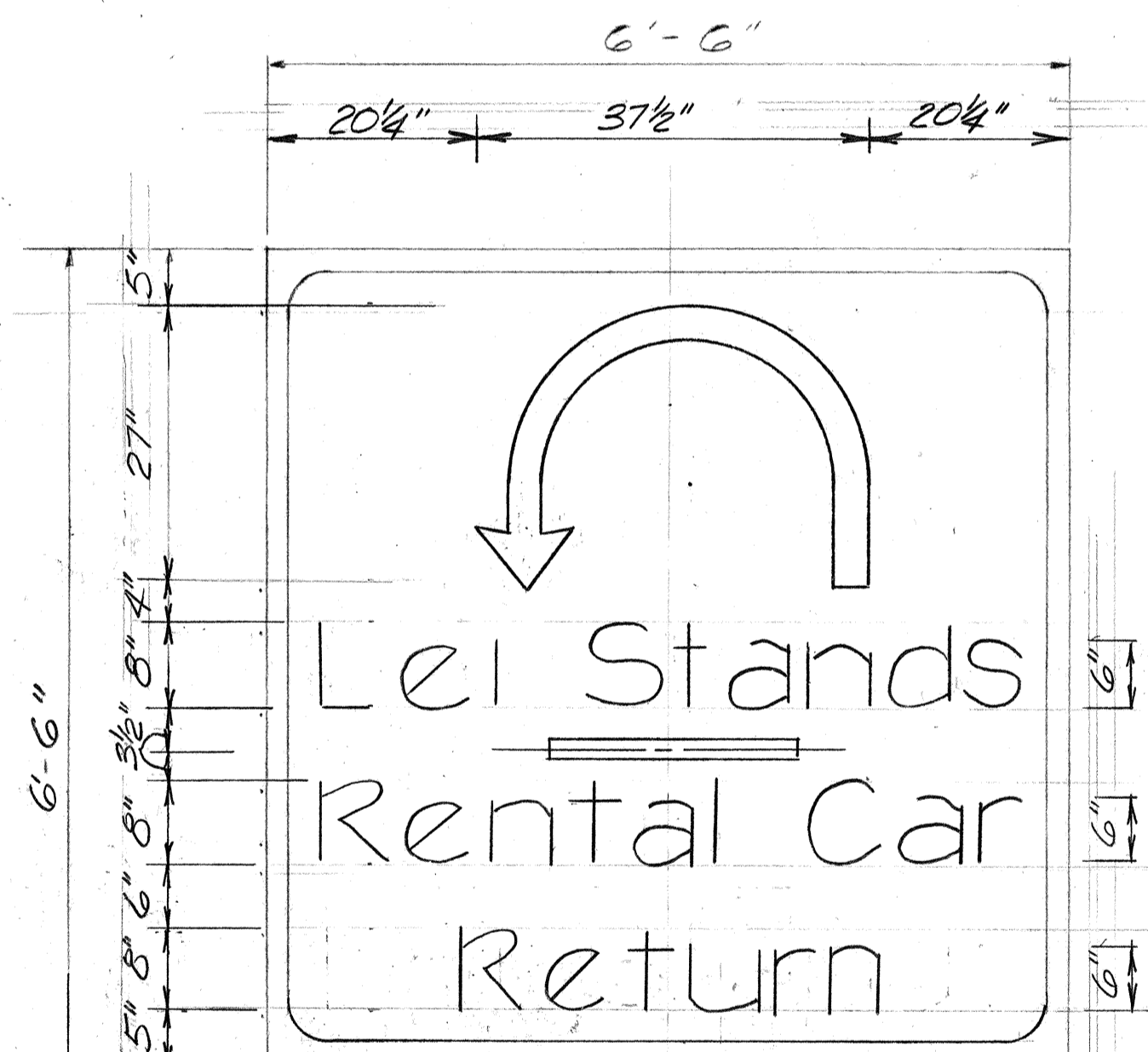
D-8
SCALE 3/4" = 1'-0"



D-10
SCALE 3/4" = 1'-0"



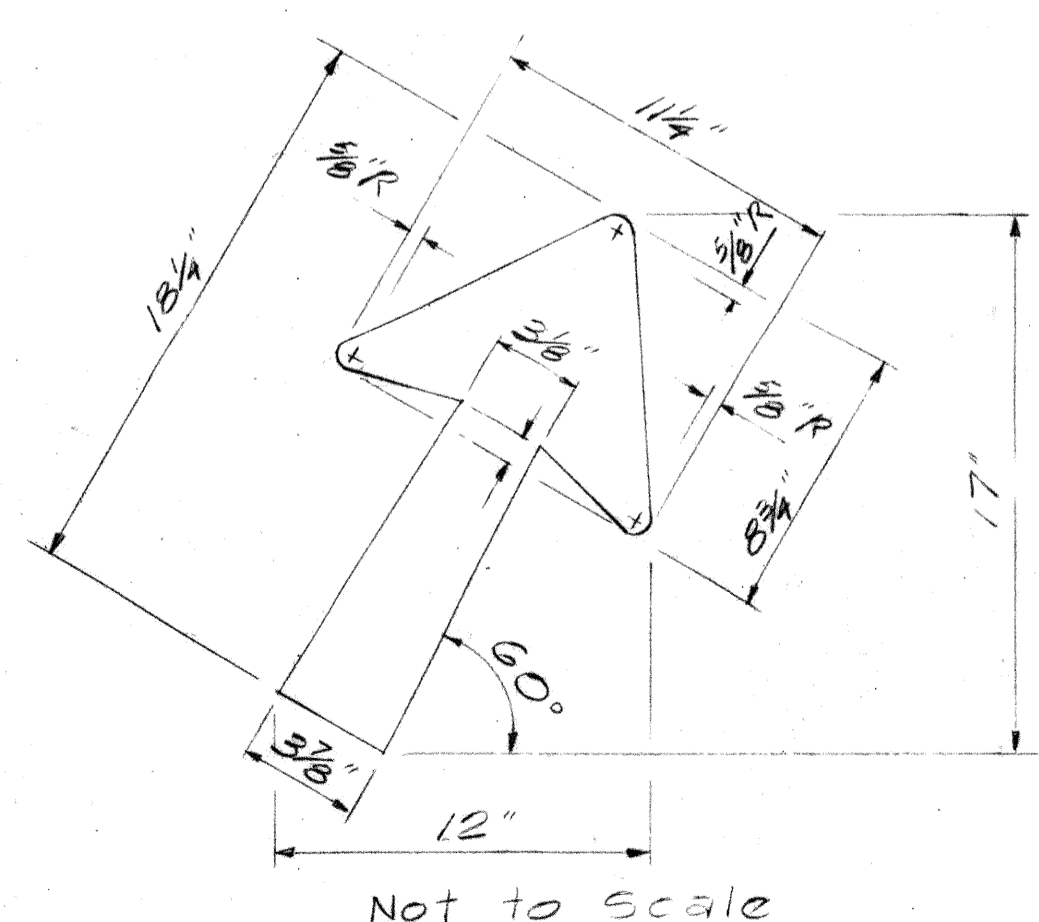
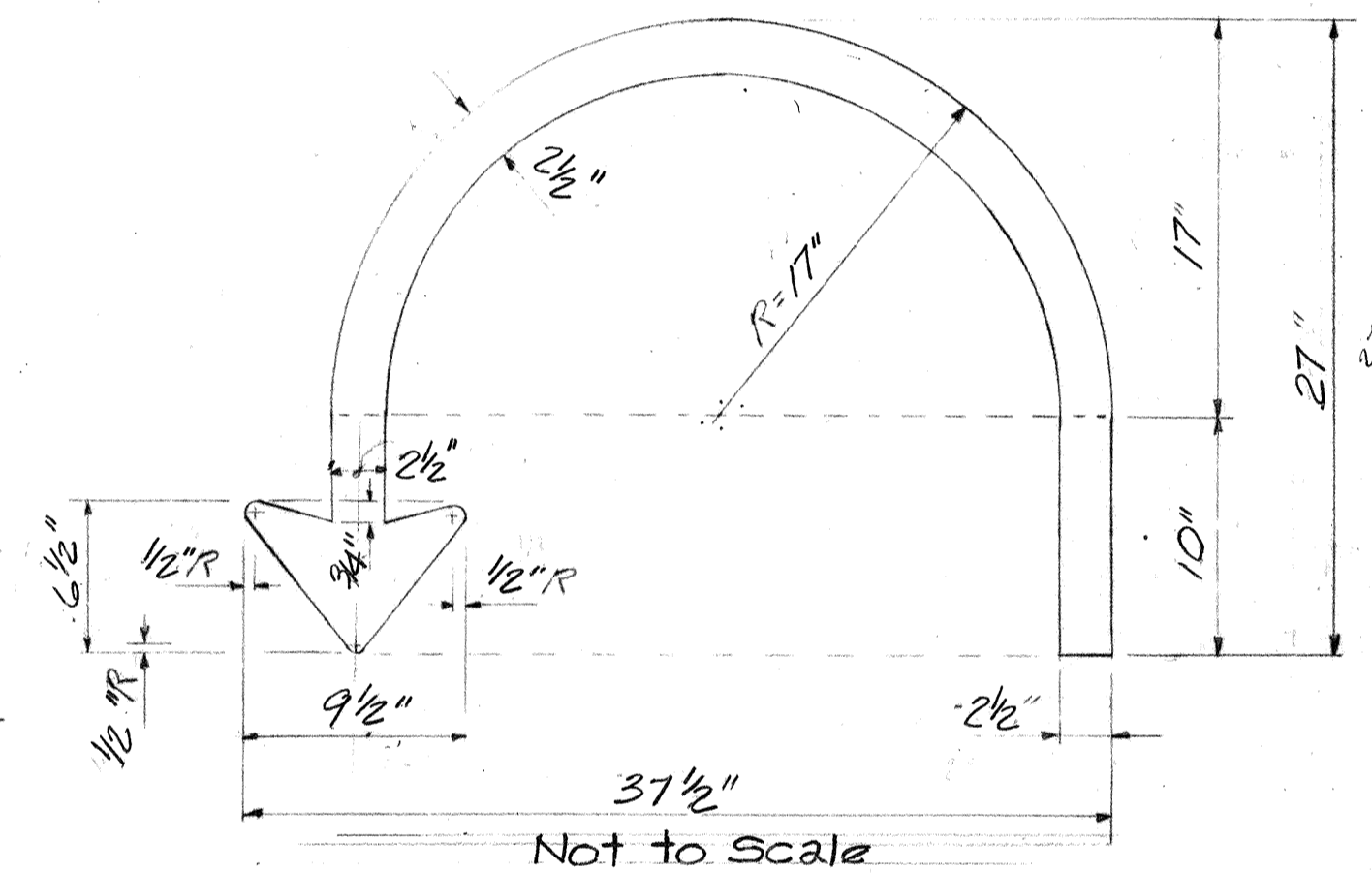
D-7
SCALE 3/4" = 1'-0"



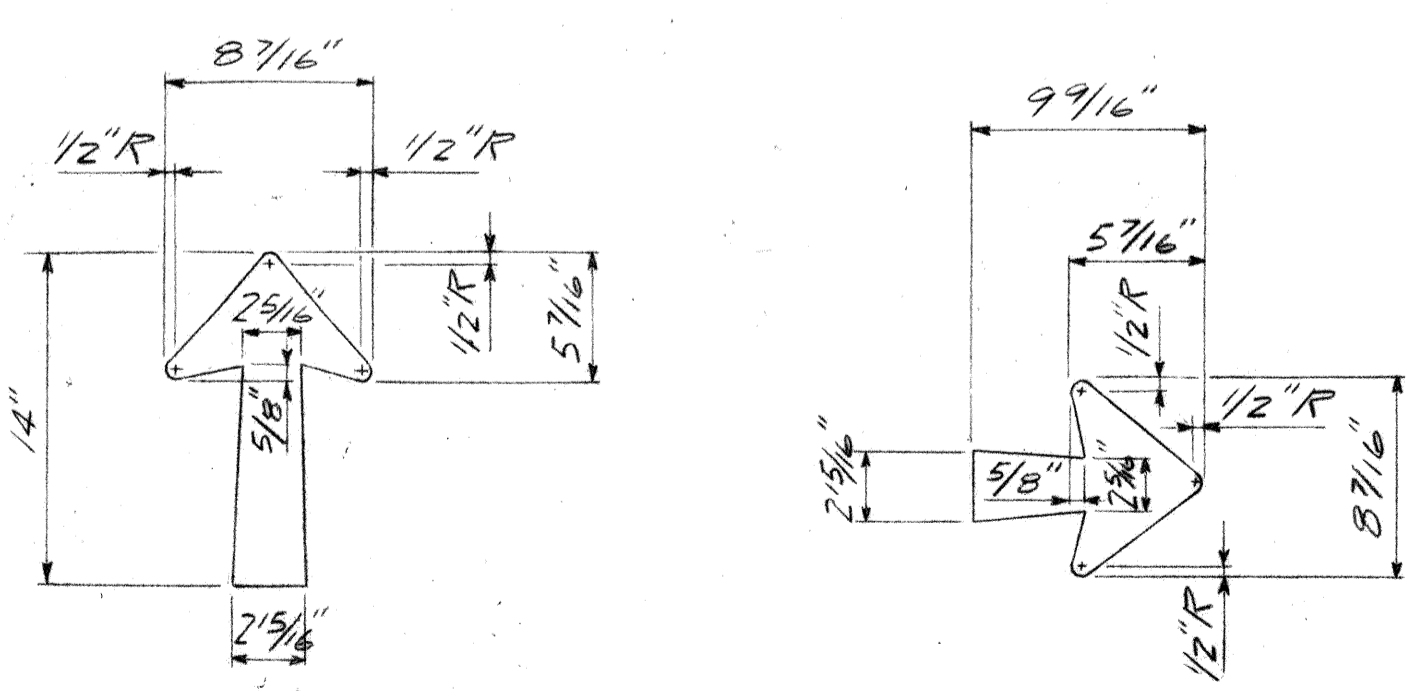
D-9
SCALE 3/4" = 1'-0"



D-5 (Temporary Sign)
Scale 1/2" = 1'-0"



Not to Scale



ARROW DETAILS
SCALE 1/2" = 1'-0"

DATE	
SURVEY PLOTTED BY	
DRAWN BY	
DESIGNED BY	
QUANTITIES BY	
CHECKED BY	
ORIGINAL PLAN No.	

DATE	REVISION
5-9-25-78	Change Signs D-6 & D-9.
4-9-19-78	Change Sign D-6
3-8-15-78	Change Sign D-9
2-6-26-78	Change Sign D-6
1-4-28-78	Added Sht.



EDWARD L. STURMAN

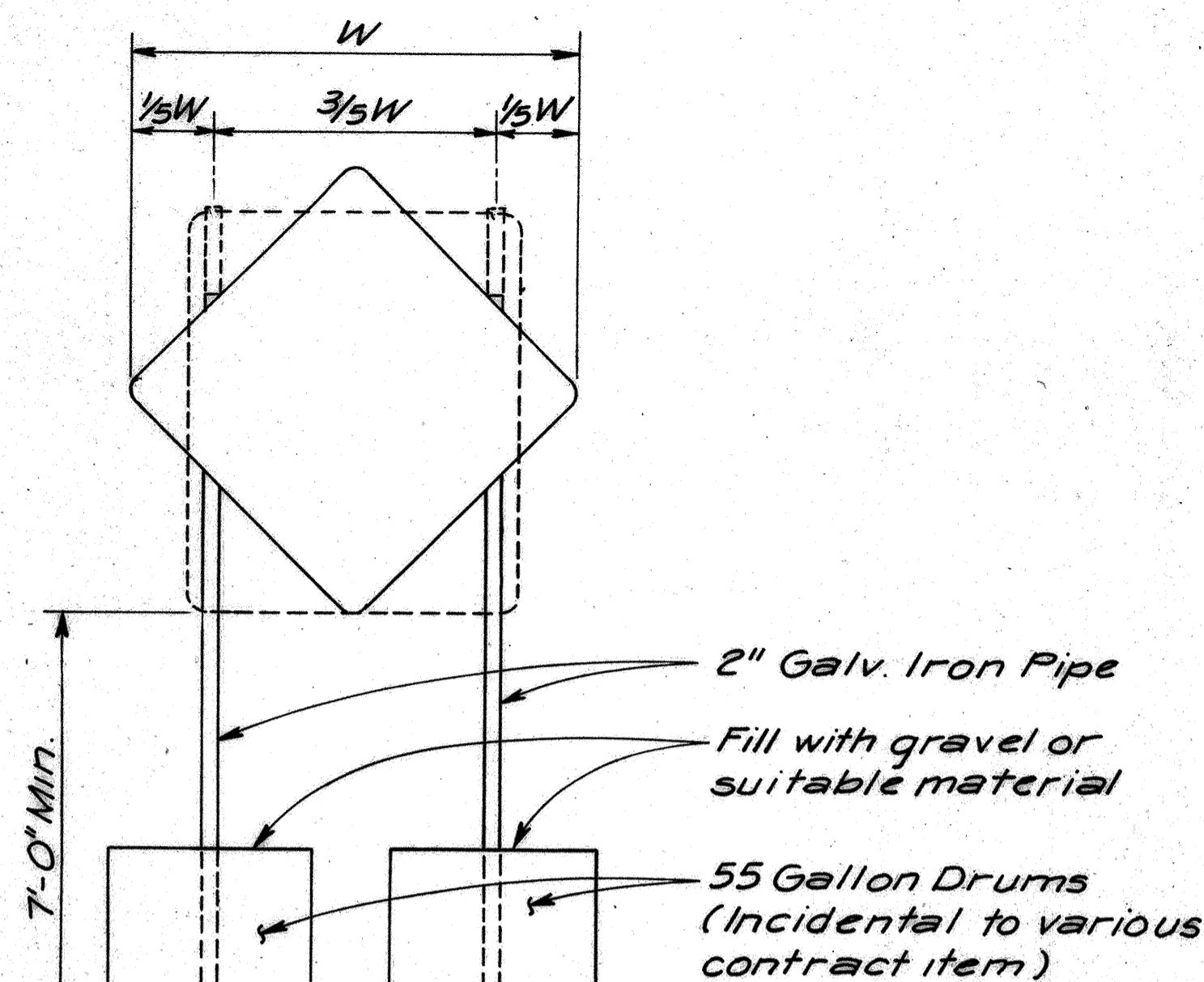
STATE OF HAWAII
DEPARTMENT OF TRANSPORTATION
LAND TRANSPORTATION FACILITIES DIVISION

PANEL LAYOUT

AIRPORT INTERCHANGE
F.A.I. PROJ. NO. I-HI-1(122)16

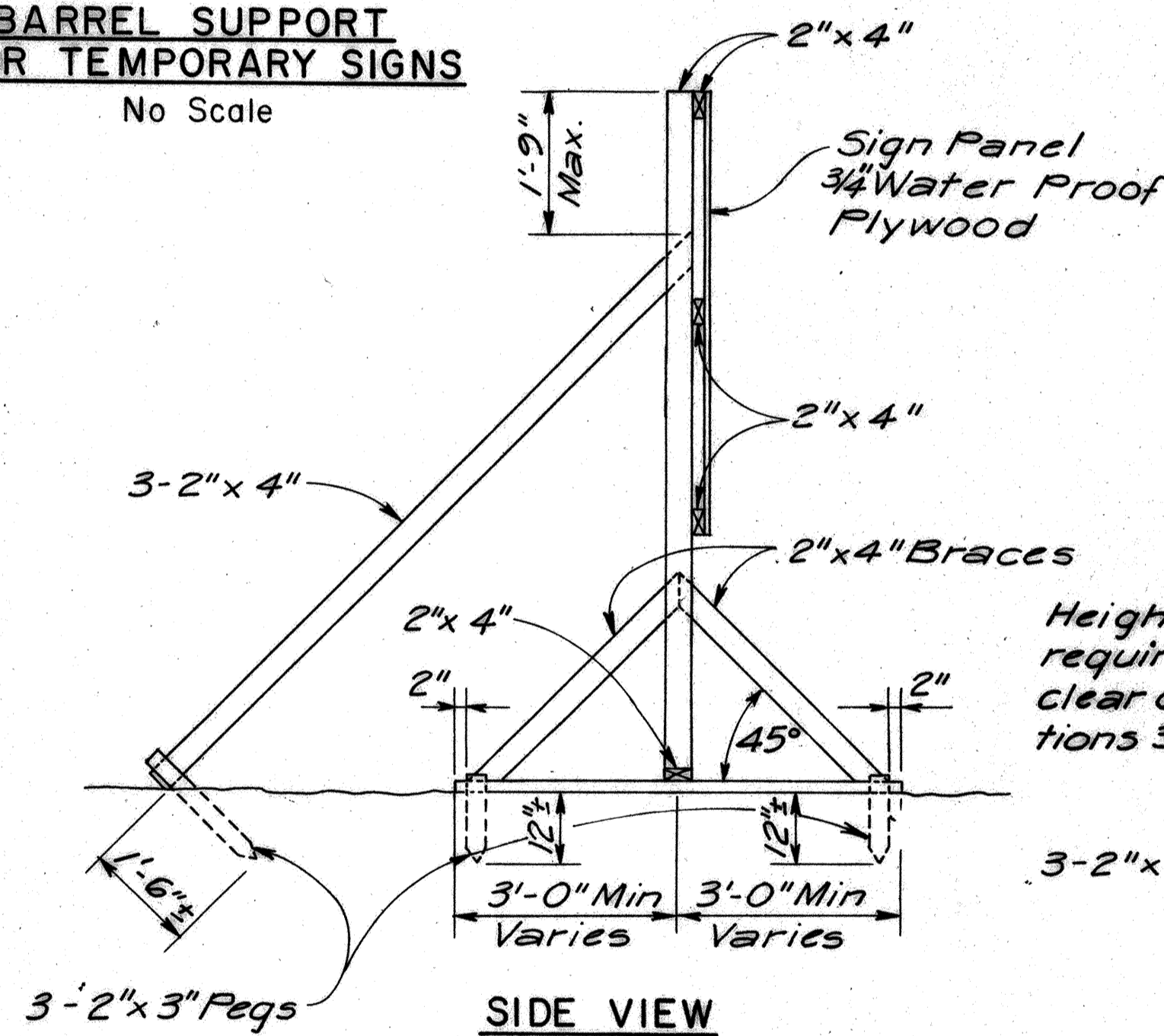
SCALE AS SHOWN DATE: APRIL 5 1978
SHEET NO. 55 OF 6 SHEETS

FED. ROAD DIST. NO.	STATE	FED. AID PROJ. NO.	FISCAL YEAR	SHEET NO.	TOTAL SHEETS
HAWAII	HAW.	I-HI-1(122)-16	1977	26	181



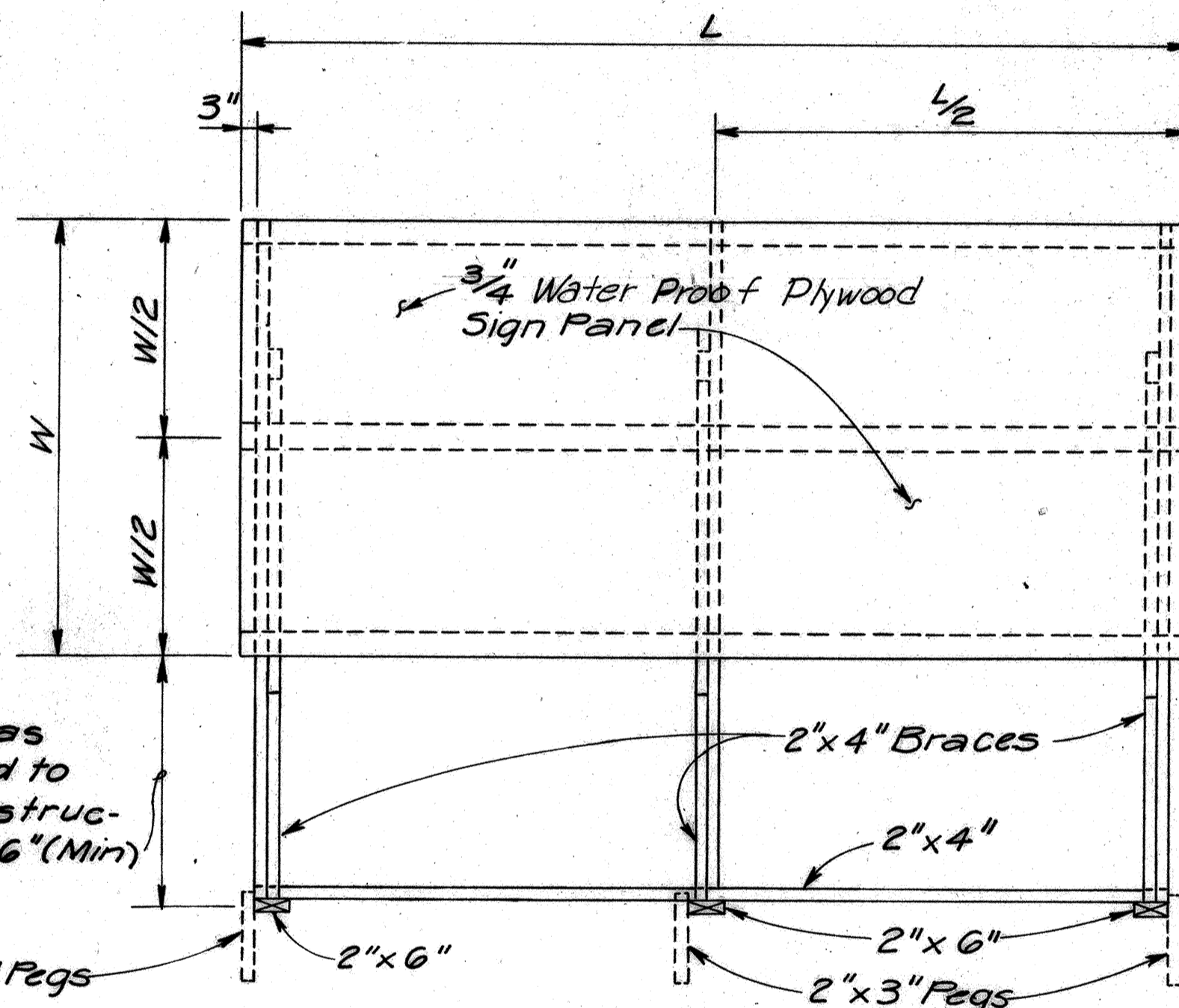
BARREL SUPPORT FOR TEMPORARY SIGNS
No Scale

NOTE:
Signs less than W=3
use one barrel

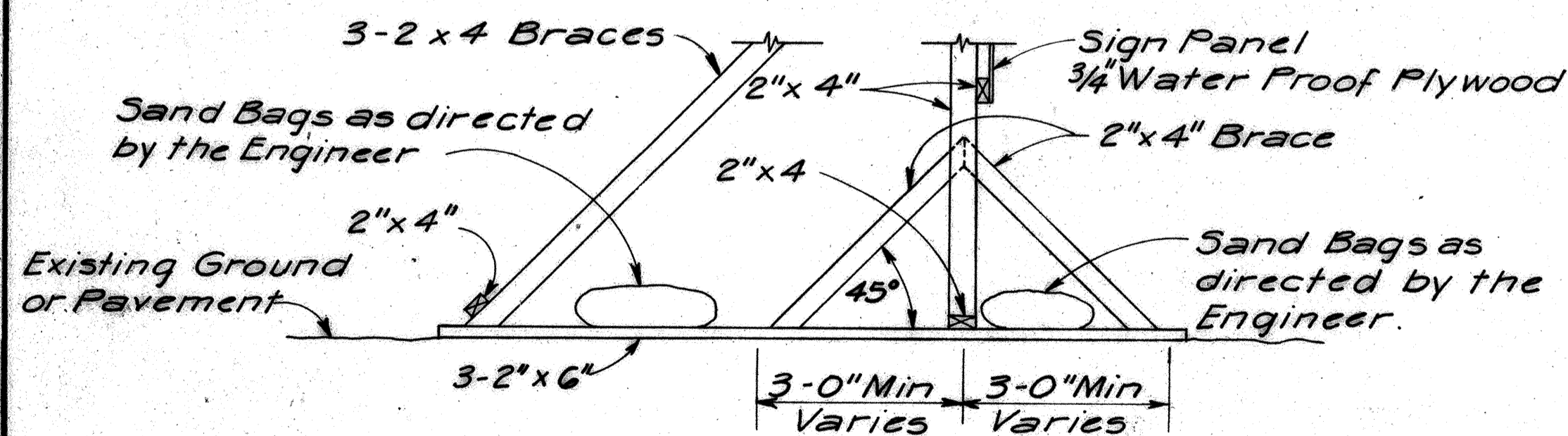


SIDE VIEW

SIGN FRAME ANCHORED IN GROUND
Scale: 1/2" = 1'-0"



FRONT VIEW



SIDE VIEW
SIGN FRAME WEIGHTED DOW
Scale: 1/2" = 1'-0"

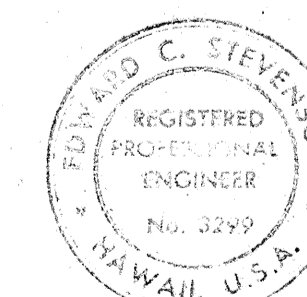
NOTES:

1. Temporary Detour Signs to be made of 3/4" Water Proof Plywood. Sign Legend shall be Reflectorized White on Green Background.
2. The Contractor shall construct, install and maintain the Signs at the locations shown on plans and as ordered by the Engineer.
3. Letters shall be Series "E" of the sizes shown on the plan and shall conform with the "Standard Alphabet for Highways Signs", Bureau of Public Roads, 1966.
4. Cost for Sign Frame shall be incidental to Item No. 632.200

SHEET NO.	EXPRESSWAY AND DESTINATION SIGNS			
	EXPRESSWAY	DESTINATION	TEMPORARY	RESET.
	621.0100 SQ. FT.	621.0200 SQ. FT.	621.0300 SQ. FT.	632.3000 EACH
23	517	45		
24			42	3
96		28		
TOTALS	517	73	42	3

SHEET NO.	STRIPING, PAVEMENT MARKER, ARROWS & CROSSWALK				
	STRIPING	CROSSWALK	ARROWS	MARKER-A	MARKER-C
	629.1010 LIN. FT.	629.1020 LANE	629.1030 EACH	629.2010 EACH	629.2030 EACH
22	7650				140
23	2650		2	116	
24	3700	7	9		
96	13850				
0	600				
TOTALS	28450	7	11	116	140

SHEET NO.	TYPE	DESCRIPTION	REGULATORY AND WARNING SIGN SUMMARY		
			REG. & WAR/POST 10 SQ. FT./LESS	REG. & WAR/POST CONST.	RESET REG. & WAR.
			621.5100 EACH	621.5500 EACH	632.3200 EACH
23	R1-1	STOP	1		
	R3-2	No Left Turn	1		
24	R1-1	STOP			2
	W4-2(L)	}	1		
	W9-2(R)	MERGE RIGHT	1		
	R-107(L)	BUS STOP	1		
	R-107(R)	BUS STOP	1		
		NO RIGHT TURN ON RED EXCEPT	1		1
	CW20-1d	ROAD CONSTRUCTION		8	
	CW20-2d	DETOUR		8	
96					
	R5-1	DO NOT ENTER	1		
TOTALS			9	16	3



THIS WORK WAS PREPARED BY
ME OR UNDER MY SUPERVISION
Raymond C. Stevenson

NO.	DATE	REVISION
1	11-21-77	Revised Quantities
1	10-5-77	Revised Marker-A Quantities

STATE OF HAWAII
DEPARTMENT OF TRANSPORTATION
HIGHWAYS DIVISION

**TRAFFIC DETOUR DETAILS
AND QUANTITY SUMMARIES**

AIRPORT INTERCHANGE
FAI. PPOJ. I-HI-1 (122)-16
SCALE: AS SHOWN DATE: FEB. 1, 1977

SHEET No. 55 OF 5 SHEETS