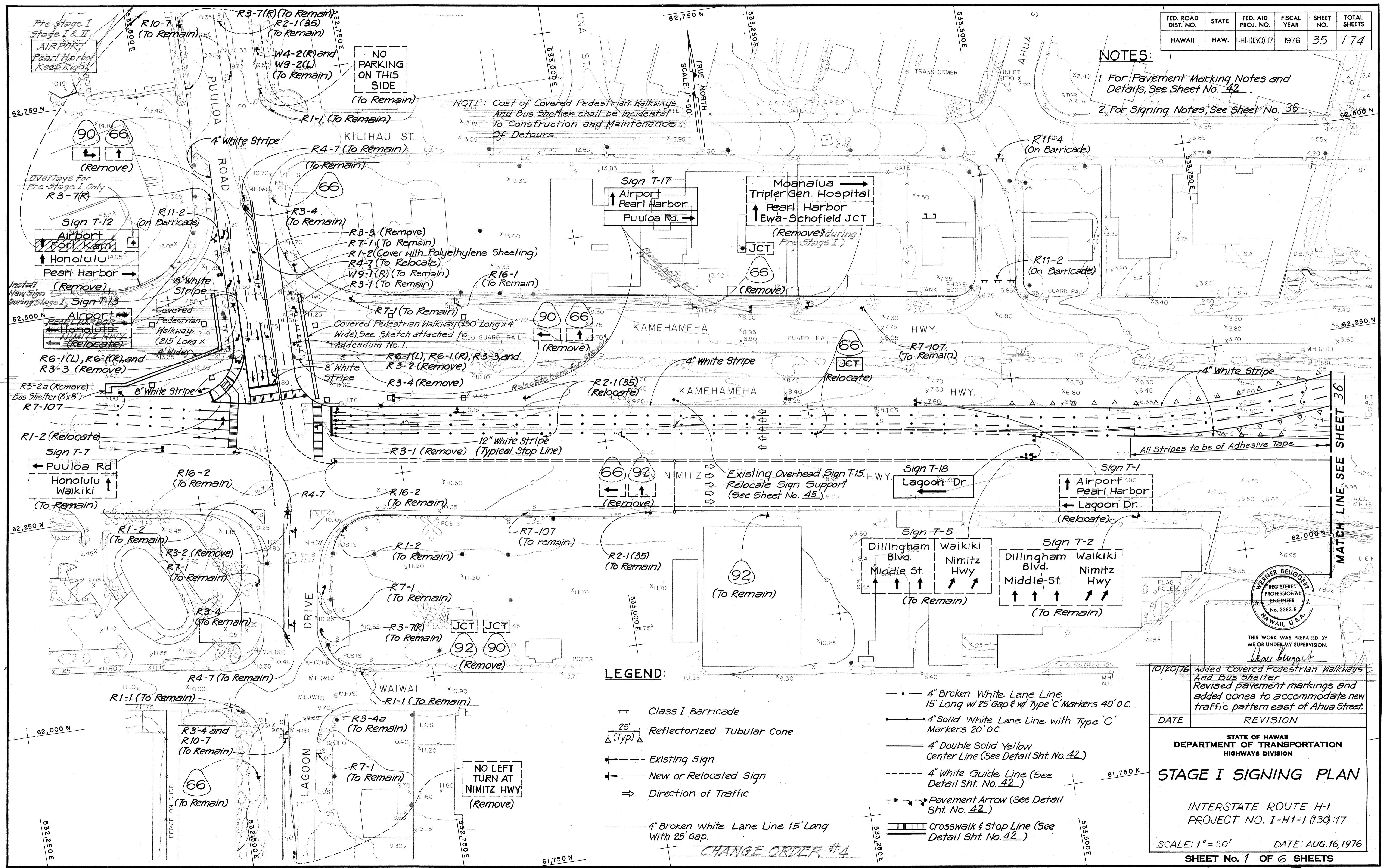


FED. ROAD DIST. NO.	STATE	FED. AID PROJ. NO.	FISCAL YEAR	SHEET NO.	TOTAL SHEETS
HAWAII	HAW.	I-H1(130).17	1976	35	174

**NOTES:**  
 1. For Pavement Marking Notes and Details, See Sheet No. 42.  
 2. For Signing Notes, See Sheet No. 36.

**NOTE:** Cost of Covered Pedestrian Walkways And Bus Shelter shall be incidental To Construction and Maintenance Of Detours.

DATE	
SURVEY PLOTTED BY	
DRAWN BY	
TRACED BY	
QUANTITIES BY	
CHECKED BY	
NO. _____	



**LEGEND:**

- Class I Barricade
- 25' ReflectORIZED Tubular Cone (Typ)
- Existing Sign
- New or Relocated Sign
- Direction of Traffic
- 4" Broken White Lane Line 15' Long With 25' Gap.
- 4" Broken White Lane Line 15' Long w/ 25' Gap & w/ Type 'C' Markers 40' o.c.
- 4" Solid White Lane Line with Type 'C' Markers 20' o.c.
- 4" Double Solid Yellow Center Line (See Detail Sht. No. 42.)
- 4" White Guide Line (See Detail Sht. No. 42.)
- Pavement Arrow (See Detail Sht. No. 42.)
- Crosswalk & Stop Line (See Detail Sht. No. 42.)

10/20/76 Added Covered Pedestrian Walkways And Bus Shelter Revised pavement markings and added cones to accommodate new traffic pattern east of Ahua Street.

DATE	REVISION

STATE OF HAWAII  
 DEPARTMENT OF TRANSPORTATION  
 HIGHWAYS DIVISION

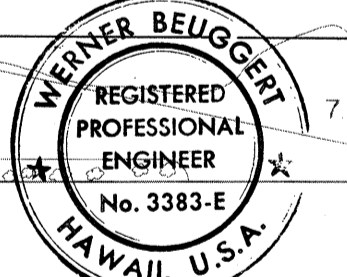
**STAGE I SIGNING PLAN**

INTERSTATE ROUTE H-1  
 PROJECT NO. I-H1-1 (130).17

SCALE: 1" = 50' DATE: AUG. 16, 1976

SHEET No. 1 OF 6 SHEETS

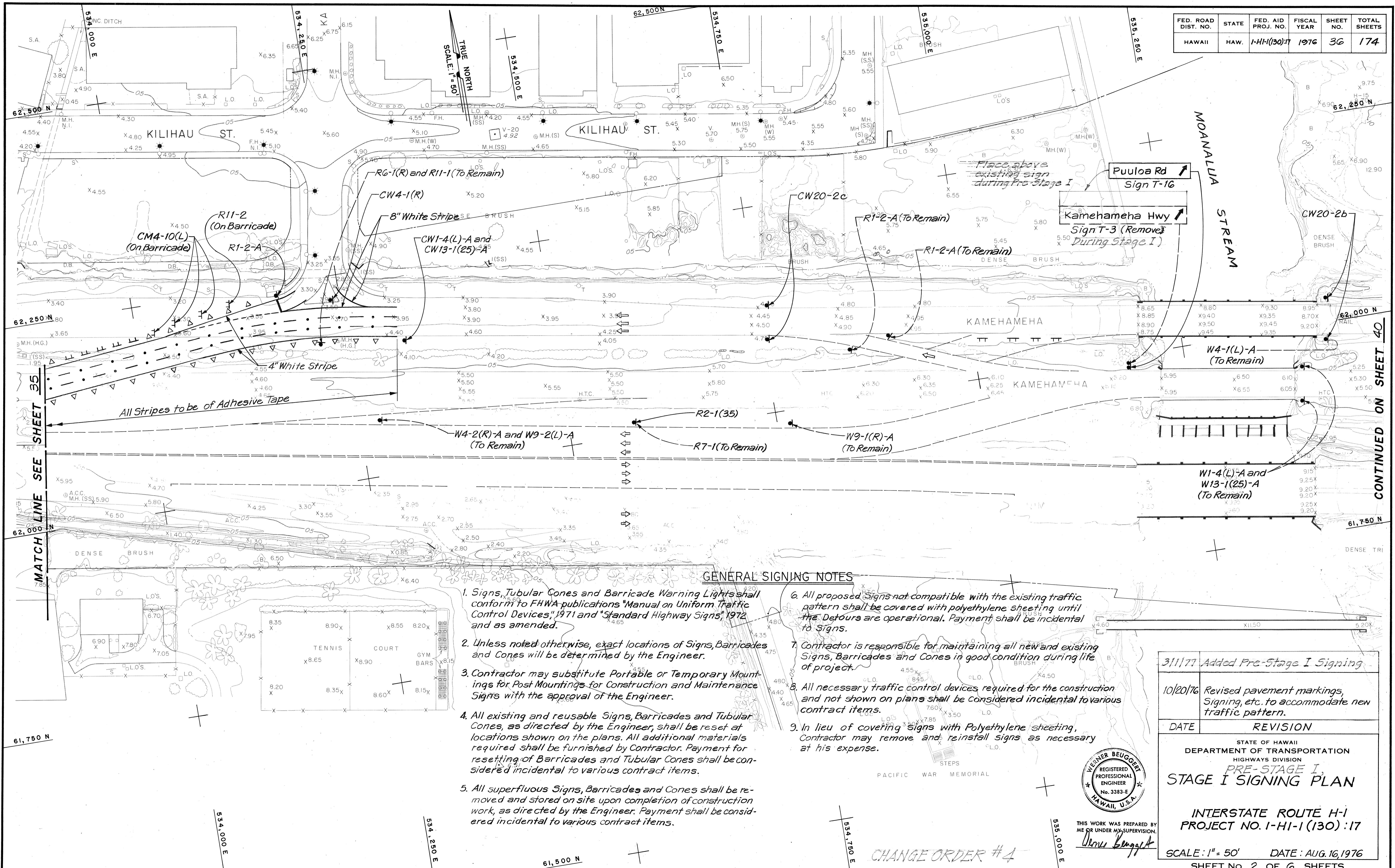
C.O. ADD. 35



THIS WORK WAS PREPARED BY ME OR UNDER MY SUPERVISION.  
 Werner Beugert

CHANGE ORDER #4

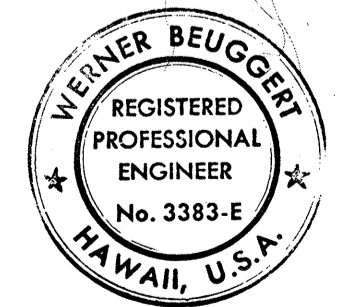
FED. ROAD DIST. NO.	STATE	FED. AID PROJ. NO.	FISCAL YEAR	SHEET NO.	TOTAL SHEETS
HAWAII	HAW.	I-HI(130):17	1976	36	174



**GENERAL SIGNING NOTES**

1. Signs, Tubular Cones and Barricade Warning Lights shall conform to FHWA publications "Manual on Uniform Traffic Control Devices," 1971 and "Standard Highway Signs," 1972 and as amended.
2. Unless noted otherwise, exact locations of Signs, Barricades and Cones will be determined by the Engineer.
3. Contractor may substitute Portable or Temporary Mountings for Post Mountings for Construction and Maintenance Signs with the approval of the Engineer.
4. All existing and reusable Signs, Barricades and Tubular Cones, as directed by the Engineer, shall be reset at locations shown on the plans. All additional materials required shall be furnished by Contractor. Payment for resetting of Barricades and Tubular Cones shall be considered incidental to various contract items.
5. All superfluous Signs, Barricades and Cones shall be removed and stored on site upon completion of construction work, as directed by the Engineer. Payment shall be considered incidental to various contract items.
6. All proposed Signs not compatible with the existing traffic pattern shall be covered with polyethylene sheeting until the Detours are operational. Payment shall be incidental to Signs.
7. Contractor is responsible for maintaining all new and existing Signs, Barricades and Cones in good condition during life of project.
8. All necessary traffic control devices required for the construction and not shown on plans shall be considered incidental to various contract items.
9. In lieu of covering Signs with Polyethylene sheeting, Contractor may remove and reinstall signs as necessary at his expense.

DATE	.....
SURVEY PLOTTED BY	.....
ORIGINAL PLAN	.....
TRACED BY	.....
DESIGNED BY	.....
NOTE BOOK	.....
QUANDED BY	.....
CHECKED BY	.....



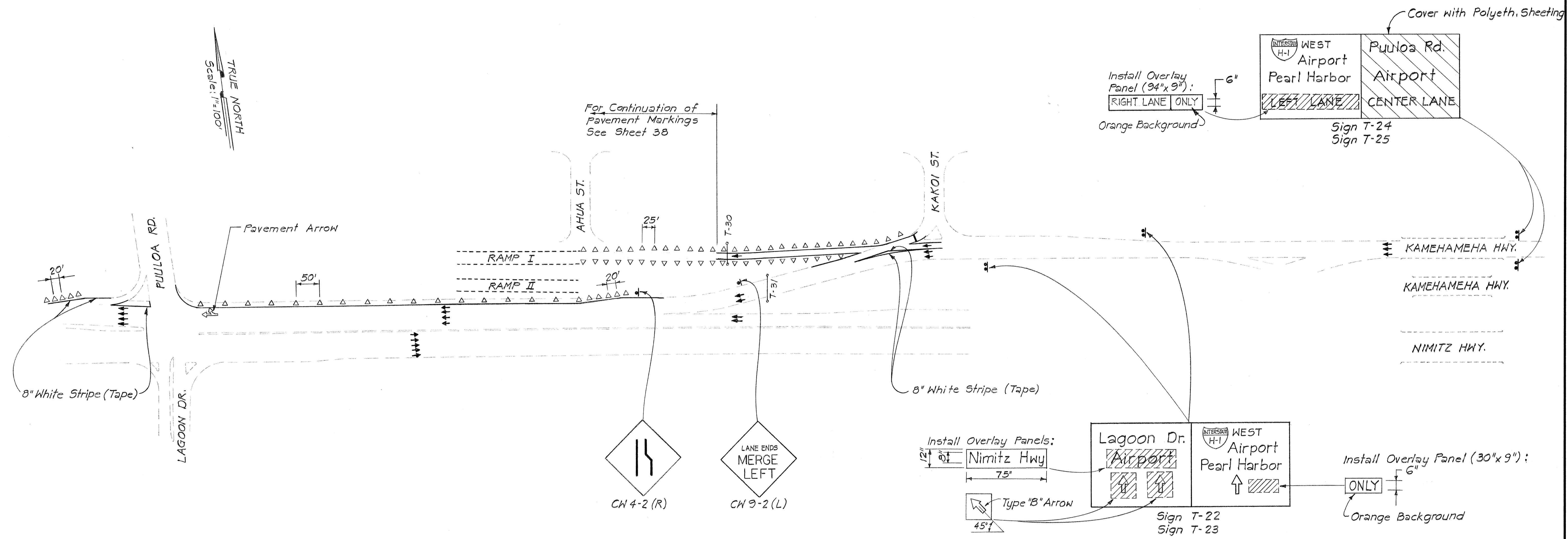
THIS WORK WAS PREPARED BY ME OR UNDER MY SUPERVISION.  
*Werner Beuggert*

3/11/77	Added Pre-Stage I Signing
10/20/76	Revised pavement markings, Signing, etc. to accommodate new traffic pattern.
DATE	REVISION
STATE OF HAWAII DEPARTMENT OF TRANSPORTATION HIGHWAYS DIVISION <b>PRE-STAGE I, STAGE I SIGNING PLAN</b>	
INTERSTATE ROUTE H-1 PROJECT NO. I-HI-1 (130) :17	
SCALE: 1" = 50'      DATE: AUG. 16, 1976 SHEET NO. 2 OF 6 SHEETS	

CHANGE ORDER #4

C.O. ADD. 36

FED. ROAD DIST. NO.	STATE	FED. AID PROJ. NO.	FISCAL YEAR	SHEET NO.	TOTAL SHEETS
HAWAII	HAW.	I-HI-1(130):17	1976	36A	174



**LEGEND**

- Existing Edge of Traveled Way
- 4" White Stripe (Tape), unless shown otherwise
- △ Traffic Delineators
- Direction of Traffic

SURVEY PLOTTED BY	DATE
DRAWN BY	
DESIGNED BY	
QUANTITIES BY	
CHECKED BY	
ORIGINAL PLAN	
NOTE BOOK	
No.	

STATE OF HAWAII  
DEPARTMENT OF TRANSPORTATION  
HIGHWAYS DIVISION

**PRE - STAGE II  
SIGNING PLAN**

INTERSTATE ROUTE H-1  
PROJECT NO. I-HI-1 (130):17

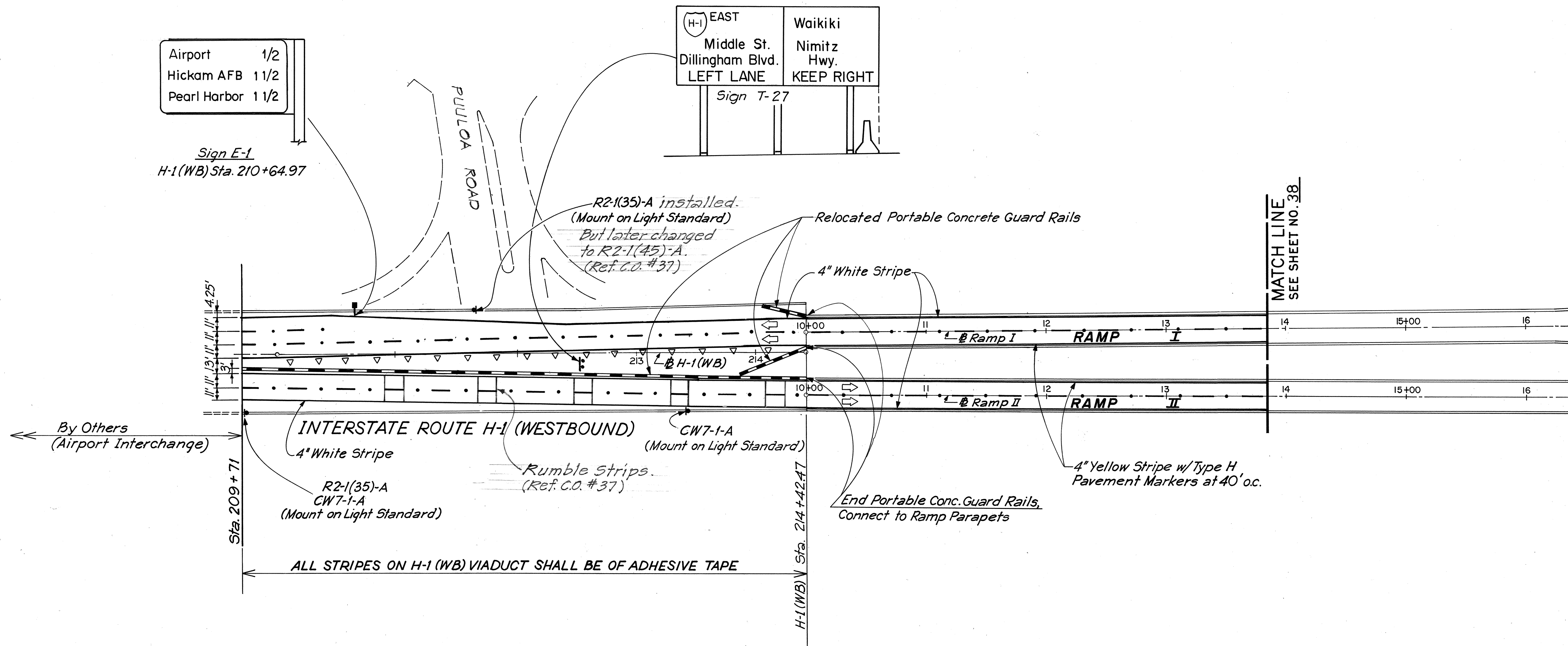
SCALE: 1" = 100'      DATE: OCT. 11, 1978

SHEET No. 2A OF 6 SHEETS

CHANGE ORDER #36

C.O. 36 S-1

FED. ROAD DIST. NO.	STATE	FED. AID PROJ. NO.	FISCAL YEAR	SHEET NO.	TOTAL SHEETS
HAWAII	HAW.	I-HI-1(130):17	1976	37	174



SURVEY PLOTTED BY	DATE
DRAWN BY	
TRACED BY	
QUANTITIES BY	
CHECKED BY	
ORIGINAL PLAN	
NOTE BOOK	
No.	

8/24/78 Revised Pavement markings for westbound lanes on viaduct. Changed location of Sign T-27. Removed overlay panels on Sign E-1

3/23/78 Added Sign T-27. Added note to overlay panels of Sign E-1. Revised pavement markings.

DATE	REVISION
8/24/78	Revised Pavement markings for westbound lanes on viaduct. Changed location of Sign T-27. Removed overlay panels on Sign E-1
3/23/78	Added Sign T-27. Added note to overlay panels of Sign E-1. Revised pavement markings.



THIS WORK WAS PREPARED BY ME OR UNDER MY SUPERVISION.  
*Werner Beuggert*

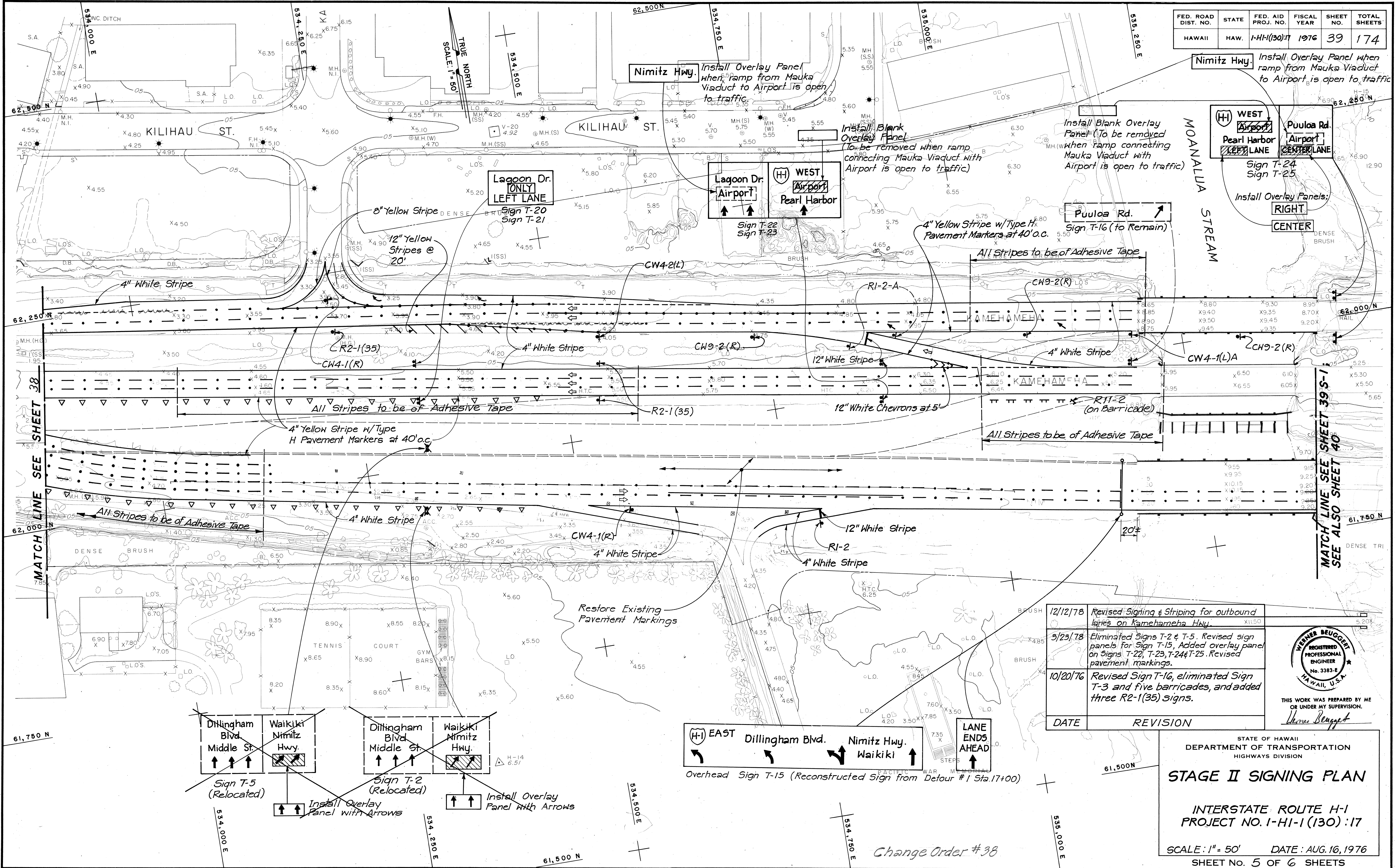
STATE OF HAWAII  
 DEPARTMENT OF TRANSPORTATION  
 HIGHWAYS DIVISION  
**STAGE II SIGNING PLAN**  
 INTERSTATE ROUTE H-1  
 PROJECT NO. I-HI-1(130):17  
 SCALE: 1" = 50' DATE: AUG. 16, 1976  
 SHEET No. 3 OF 6 SHEETS

CHANGE ORDER #31

C.O.37 c-3-9

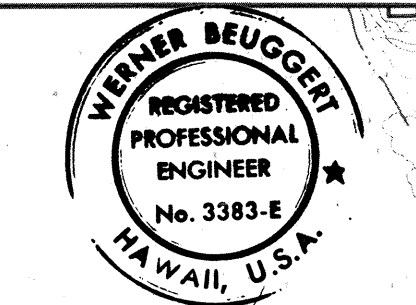


FED. ROAD DIST. NO.	STATE	FED. AID PROJ. NO.	FISCAL YEAR	SHEET NO.	TOTAL SHEETS
HAWAII	HAW.	I-HI-(130):17	1976	39	174



DATE: \_\_\_\_\_  
 SURVEY PLOTTED BY: \_\_\_\_\_  
 ORIGINAL PLAN DRAWN BY: \_\_\_\_\_  
 NOTE BOOK NO. \_\_\_\_\_  
 QUANTITIES BY: \_\_\_\_\_  
 CHECKED BY: \_\_\_\_\_

DATE	REVISION
12/12/78	Revised Signing & Striping for outbound lanes on Kamehameha Hwy.
5/23/78	Eliminated Signs T-2 & T-5. Revised sign panels for Sign T-15. Added overlay panel on Signs T-22, T-23, T-24 & T-25. Revised pavement markings.
10/20/76	Revised Sign T-16, eliminated Sign T-3 and five barricades, and added three R2-1(35) signs.



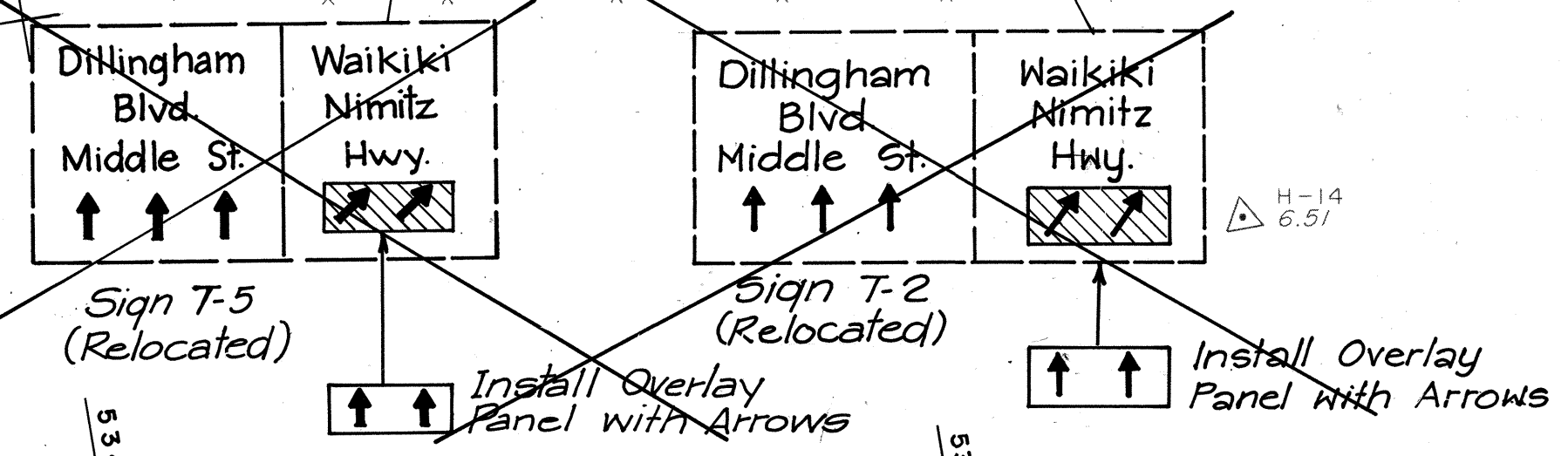
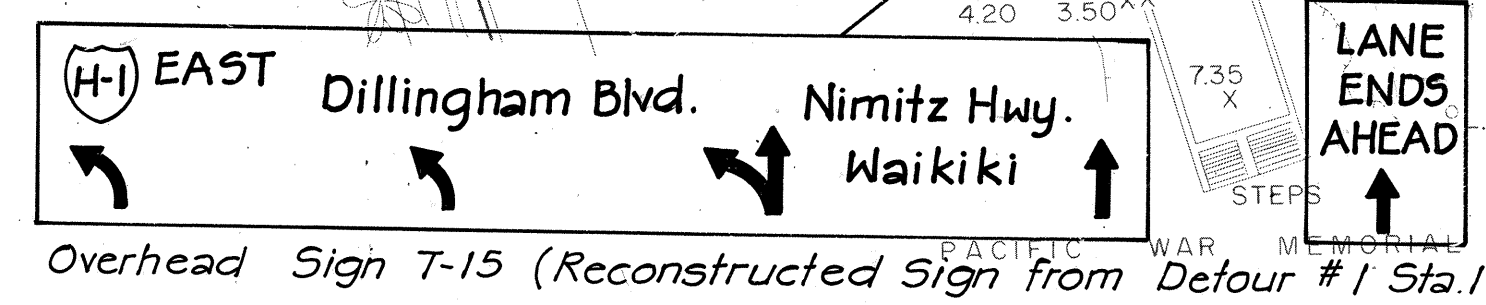
THIS WORK WAS PREPARED BY ME OR UNDER MY SUPERVISION.  
 Werner Buegert

STATE OF HAWAII  
 DEPARTMENT OF TRANSPORTATION  
 HIGHWAYS DIVISION

### STAGE II SIGNING PLAN

INTERSTATE ROUTE H-1  
 PROJECT NO. I-HI-1(130):17

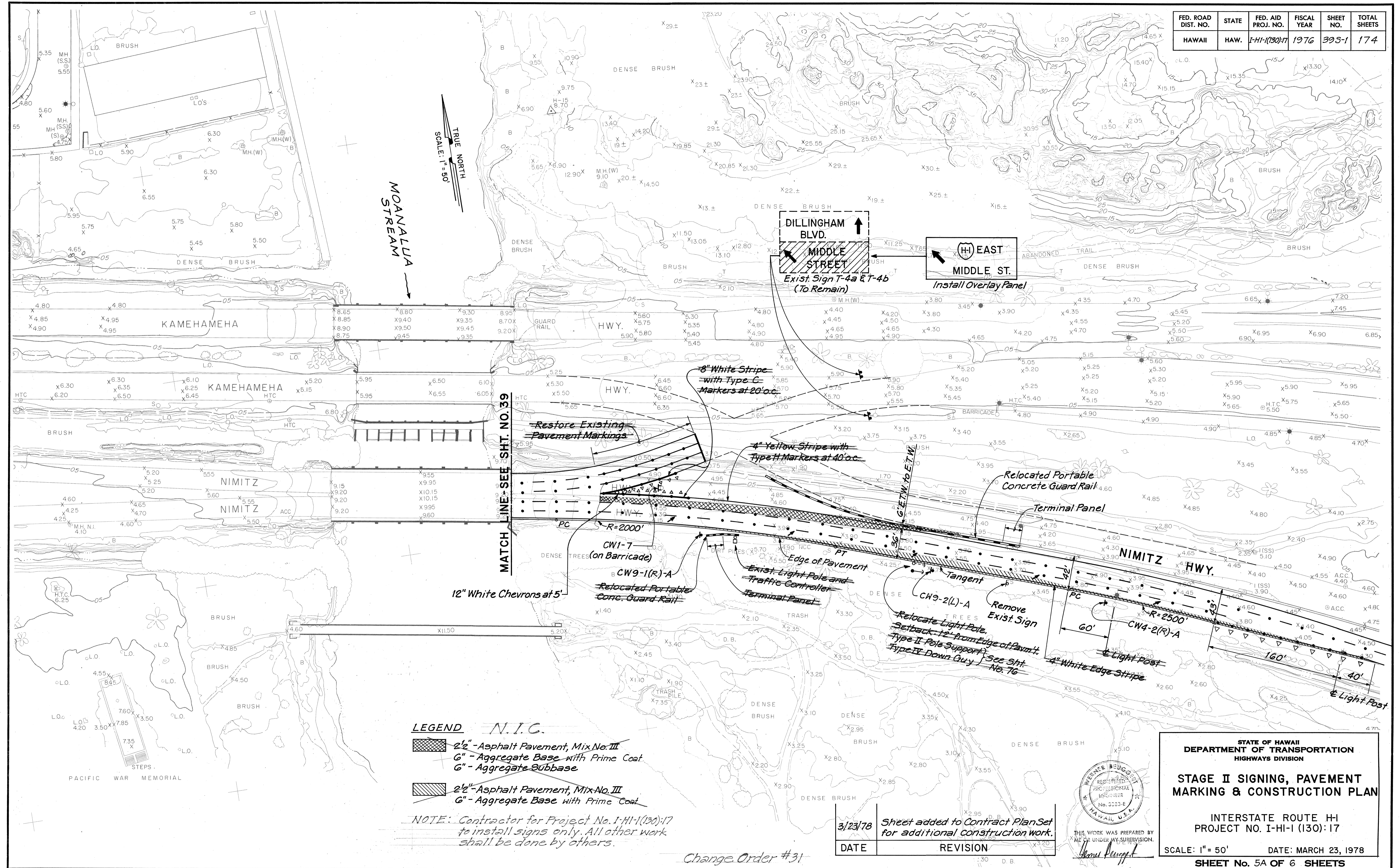
SCALE: 1" = 50' DATE: AUG. 16, 1976  
 SHEET NO. 5 OF 6 SHEETS



Change Order #38

C.O. ADD. 39

FED. ROAD DIST. NO.	STATE	FED. AID PROJ. NO.	FISCAL YEAR	SHEET NO.	TOTAL SHEETS
HAWAII	HAW.	I-HI-1(130):17	1976	395-1	174



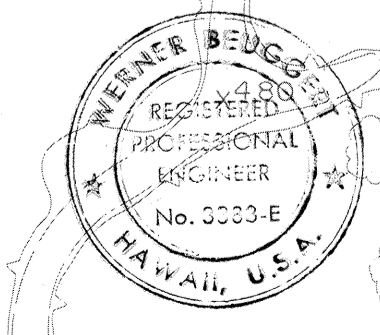
DATE	.....
ORIGINAL PLAN	.....
TRACED BY	.....
QUANTITIES BY	.....
CHECKED BY	.....
NO.	.....

- LEGEND** N.I.C.
- 2 1/2" - Asphalt Pavement, Mix No. III
  - G" - Aggregate Base with Prime Coat
  - G" - Aggregate Subbase
  - 2 1/2" - Asphalt Pavement, Mix No. III
  - G" - Aggregate Base with Prime Coat

NOTE: Contractor for Project No. I-HI-1(130):17 to install signs only. All other work shall be done by others.

Change Order #31

DATE	3/23/78	REVISION	Sheet added to Contract Plan Set for additional construction work.
------	---------	----------	--------------------------------------------------------------------



STATE OF HAWAII  
DEPARTMENT OF TRANSPORTATION  
HIGHWAYS DIVISION

**STAGE II SIGNING, PAVEMENT MARKING & CONSTRUCTION PLAN**

INTERSTATE ROUTE HI  
PROJECT NO. I-HI-1 (130):17

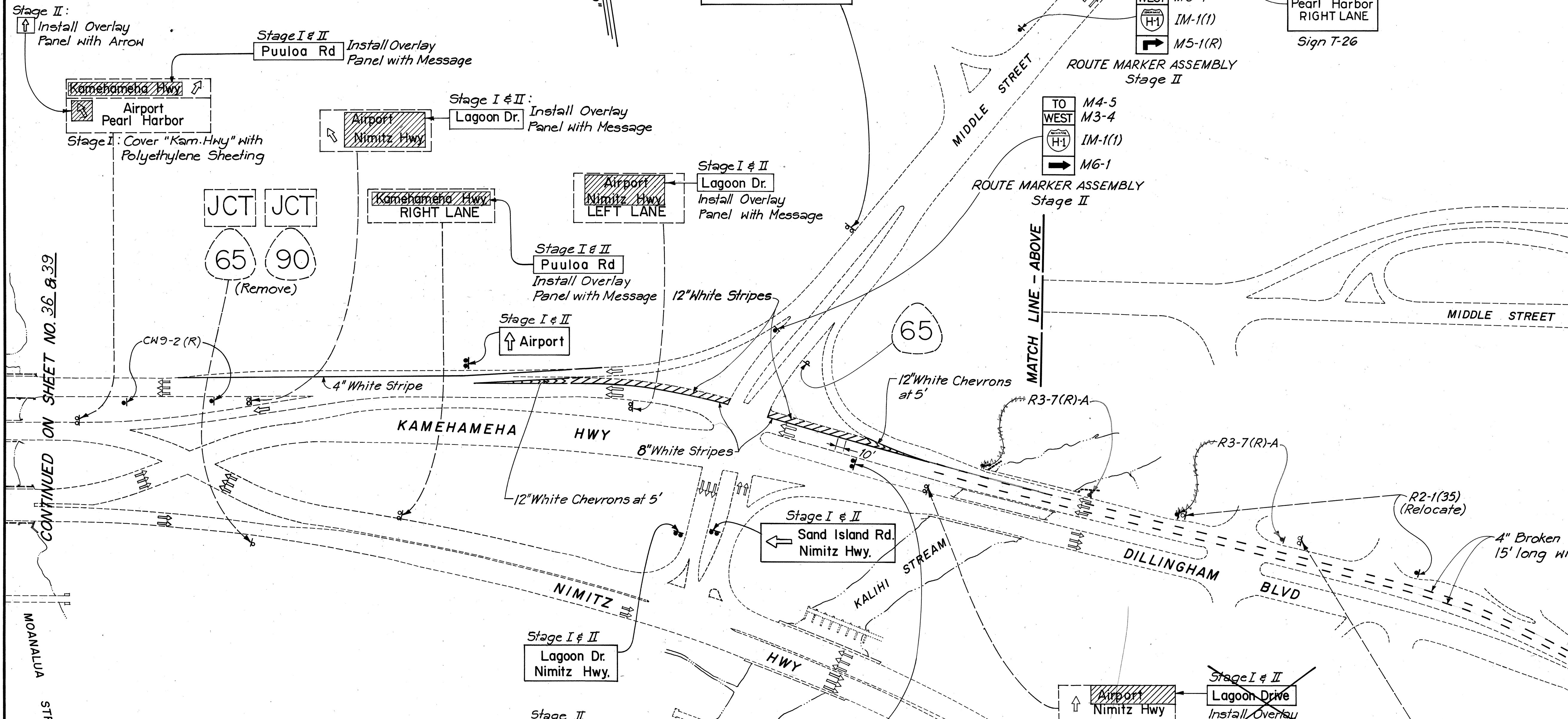
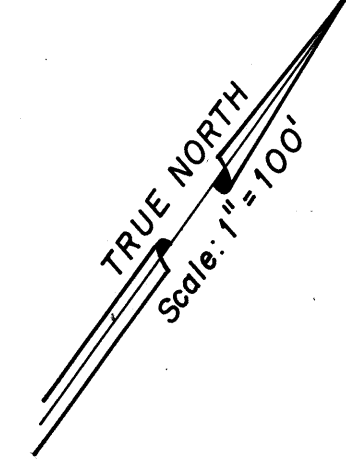
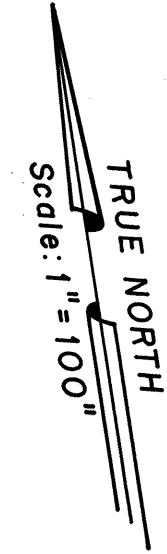
SCALE: 1" = 50' DATE: MARCH 23, 1978  
SHEET No. 5A OF 6 SHEETS

C.O. 39 S-1

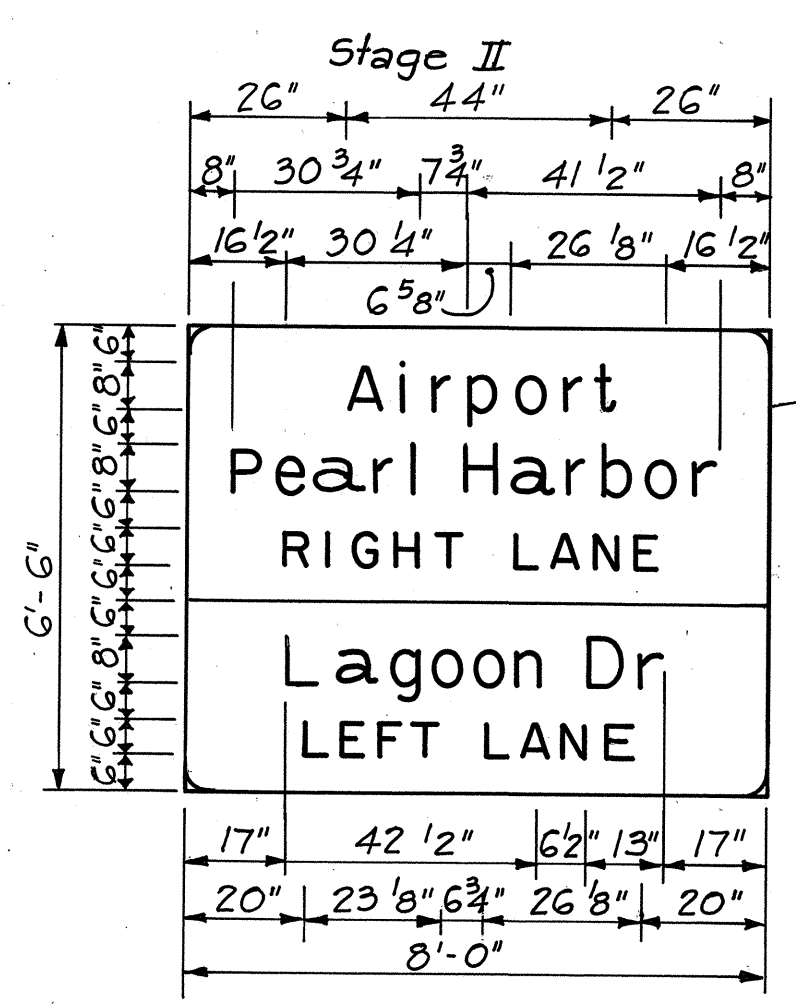
FED. ROAD DIST. NO.	STATE	FED. AID PROJ. NO.	FISCAL YEAR	SHEET NO.	TOTAL SHEETS
HAWAII	HAW.	H-1-(130):17	1976	40	174

**LEGEND**

- ⚡ Existing Sign
- ⚡ New or Relocated Sign
- ➡ Direction of Traffic



CONTINUED ON SHEET NO. 39 & 39

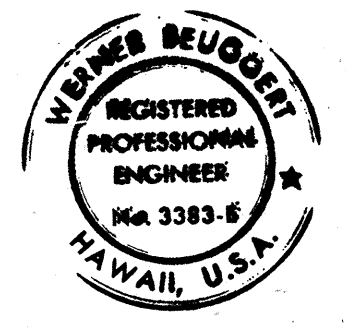


**SIGN T-32**  
Scale: 3/8" = 1'-0"

Change Order # 38

DATE	
DESIGNED BY	
TRACED BY	
DESIGNED BY	
QUANTITIES BY	
CHECKED BY	

12/12/78	Added Sign T-32. Covered "Nimitz Hwy." on signs for westbound traffic on Kam. Hwy. Covered "Kamehameha Hwy" on signs for westbound traffic on Nimitz Hwy. Added 2 signs [CW9-2(R)] on Kam. Hwy.
10/20/76	Revised Signing to fit new traffic pattern for Stage I.
DATE	REVISION



THIS WORK WAS PREPARED BY ME OR UNDER MY SUPERVISION.  
Werner Beugnot

STATE OF HAWAII  
DEPARTMENT OF TRANSPORTATION  
HIGHWAYS DIVISION

**STAGE I & II SIGNING PLAN**

INTERSTATE ROUTE H-1  
PROJECT NO. 1-HI-1 (130):17

SCALE: 1" = 100'      DATE: AUG. 16, 1976

SHEET No. 6 OF 6 SHEETS

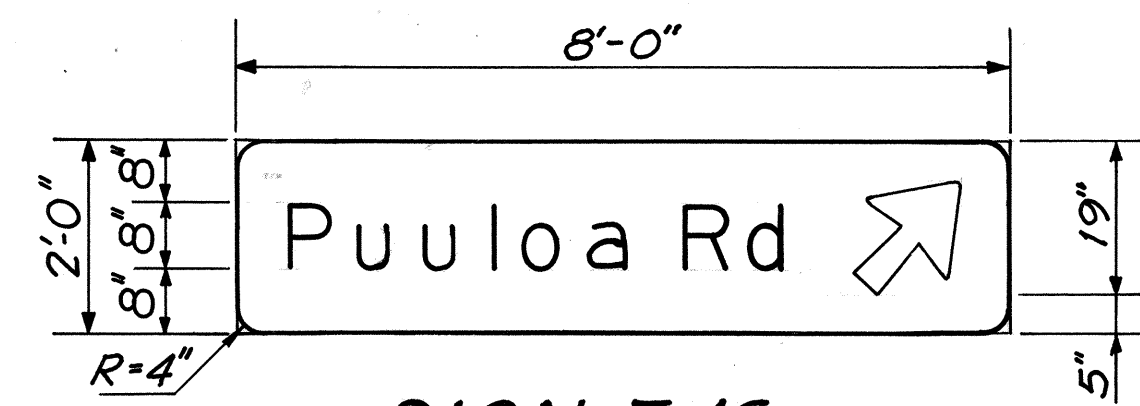
FED. ROAD DIST. NO.	STATE	FED. AID PROJ. NO.	FISCAL YEAR	SHEET NO.	TOTAL SHEETS
HAWAII	HAW.	I-HI(130)IT	1976	41	174

**SUMMARY OF SIGNS AND APPURTENANCES**

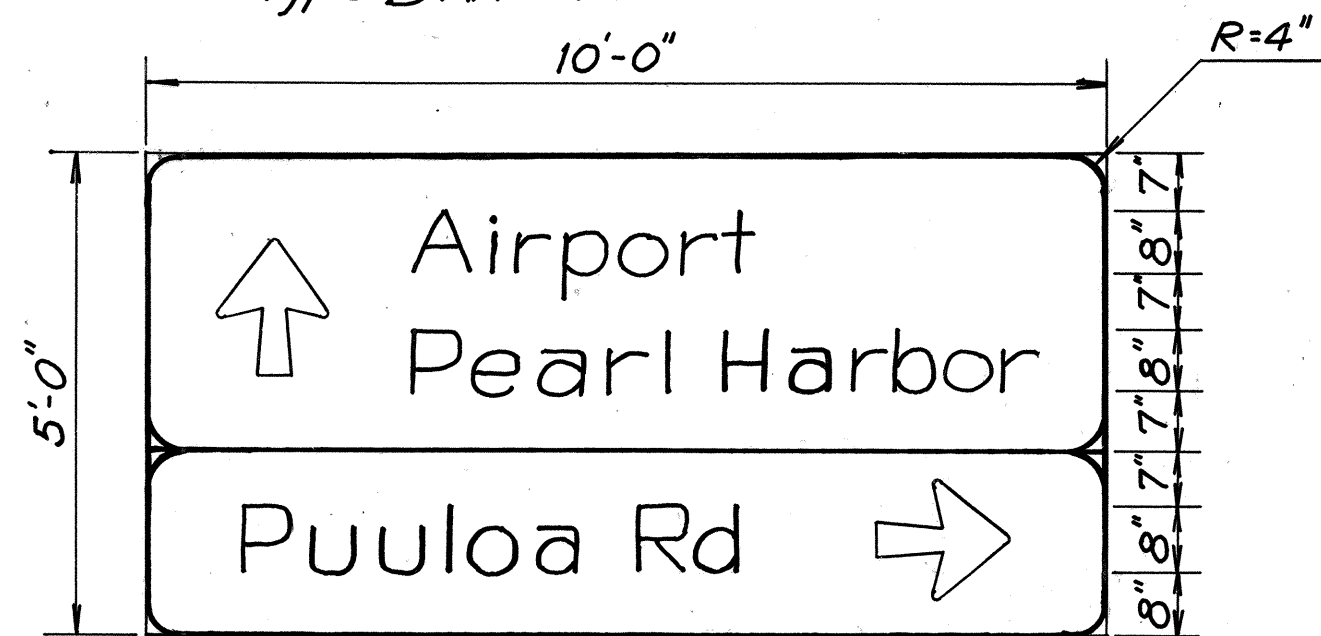
TYPE	MESSAGE	STAGE I		STAGE II	
		WITH POST	WITHOUT POST	WITH POST	WITHOUT POST
R1-1	STOP				1
R1-2-A	YIELD	1			
R1-2	YIELD			4	
R2-1(35)-A	SPEED LIMIT 35 M.P.H.				2
R2-1(35)	SPEED LIMIT 35 M.P.H.		1	3	
R3-3	NO TURNS				2
R3-7(R)-A	RIGHT LANE MUST TURN RIGHT			2	
R3-7(R)	RIGHT LANE MUST TURN RIGHT	1			
R3-7(L)	LEFT LANE MUST TURN LEFT			1	
R4-7	KEEP RIGHT		1		
R7-107	NO PARKING BUS STOP	1		2	
R11-2	ROAD CLOSED		3		3
R11-4	ROAD CLOSED TO THROUGH TRAFFIC		1		
R17-2b	ON LEFT ARROW ONLY			2	
CW20-2b		DETOUR 1000 FT.	1	1	
CW20-2c		DETOUR 500 FT.	2		
CW1-4(L)-A			1		
CW3-2		YIELD AHEAD			1
CW3-3		SIGNAL AHEAD			3
CW4-1(L)-A		MERGE			1
CW4-1(R)		MERGE	1		1
CW4-2(R)-A		HILL			1
CW7-1-A		HILL			2
CW9-1(R)-A		RIGHT LANE ENDS			1
CW9-2(L)-A		LANE ENDS MERGE LEFT			1
CW12-1-A					6
CW13-1(25)-A		25 M.P.H.	1		
CW6-1		DIVIDED HIGHWAY			1
CW6-2		DIVIDED HIGHWAY ENDS			1
CM4-10(L)		←DETOUR→	3		
TOTAL			8	11	29

Relocated Signs	5
Class I Barricades	14
Traffic Delineators	180
Reflector Marker, Type RM-9	6
Interstate (I1) Route Marker Assembly w/Post	2

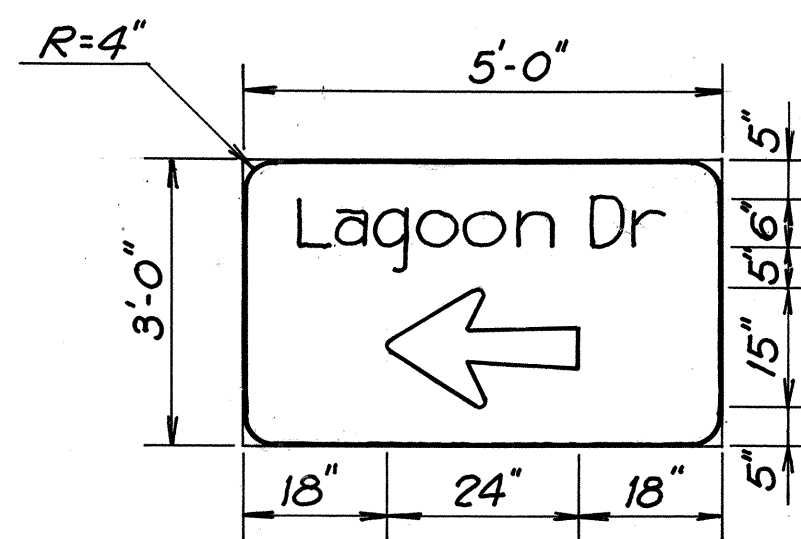
**NOTE:**  
Quantities shown are for estimating purposes only. Contractor shall establish the actual number to be furnished based on reusable material available from site, storage and as directed by the Engineer.



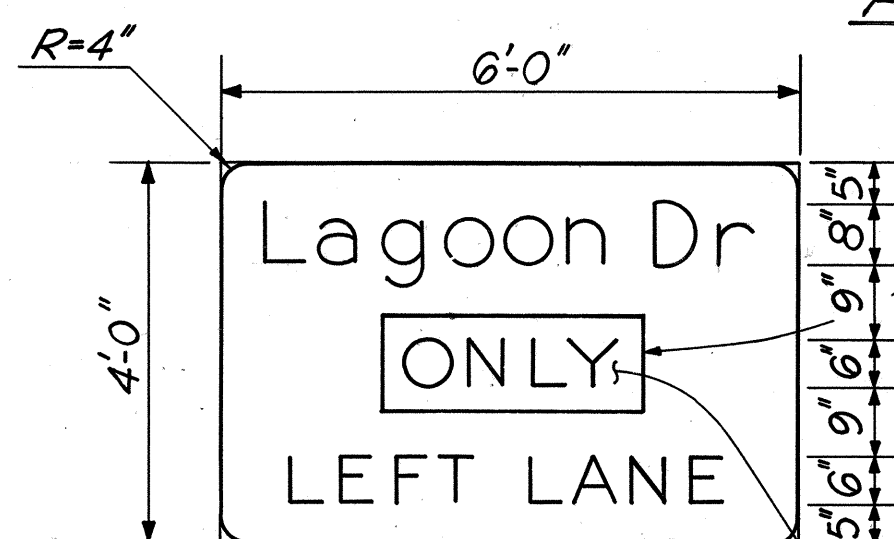
**SIGN T-16**  
Type B Arrow



**SIGN T-17**  
Type B Arrows

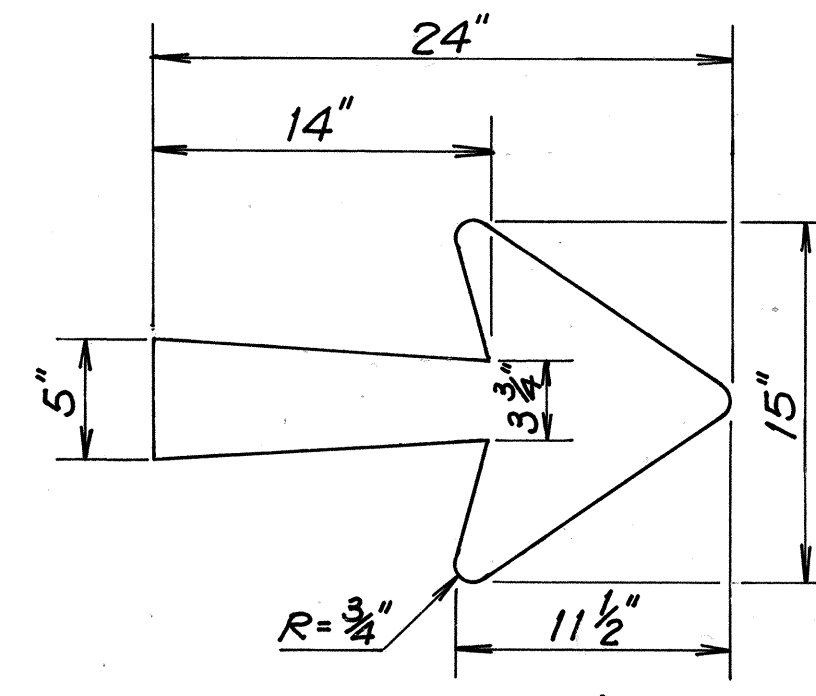


**SIGN T-18**  
Type A Arrow

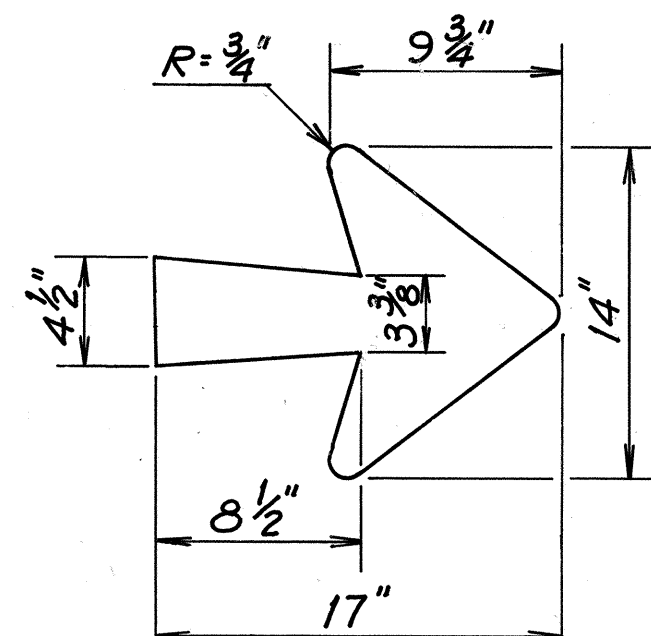


**SIGN T-19, T-20 & T-21** - Yellow Background (T-20 & T-21)

**PANEL LAYOUT**  
Scale: 1/2" = 1'-0"

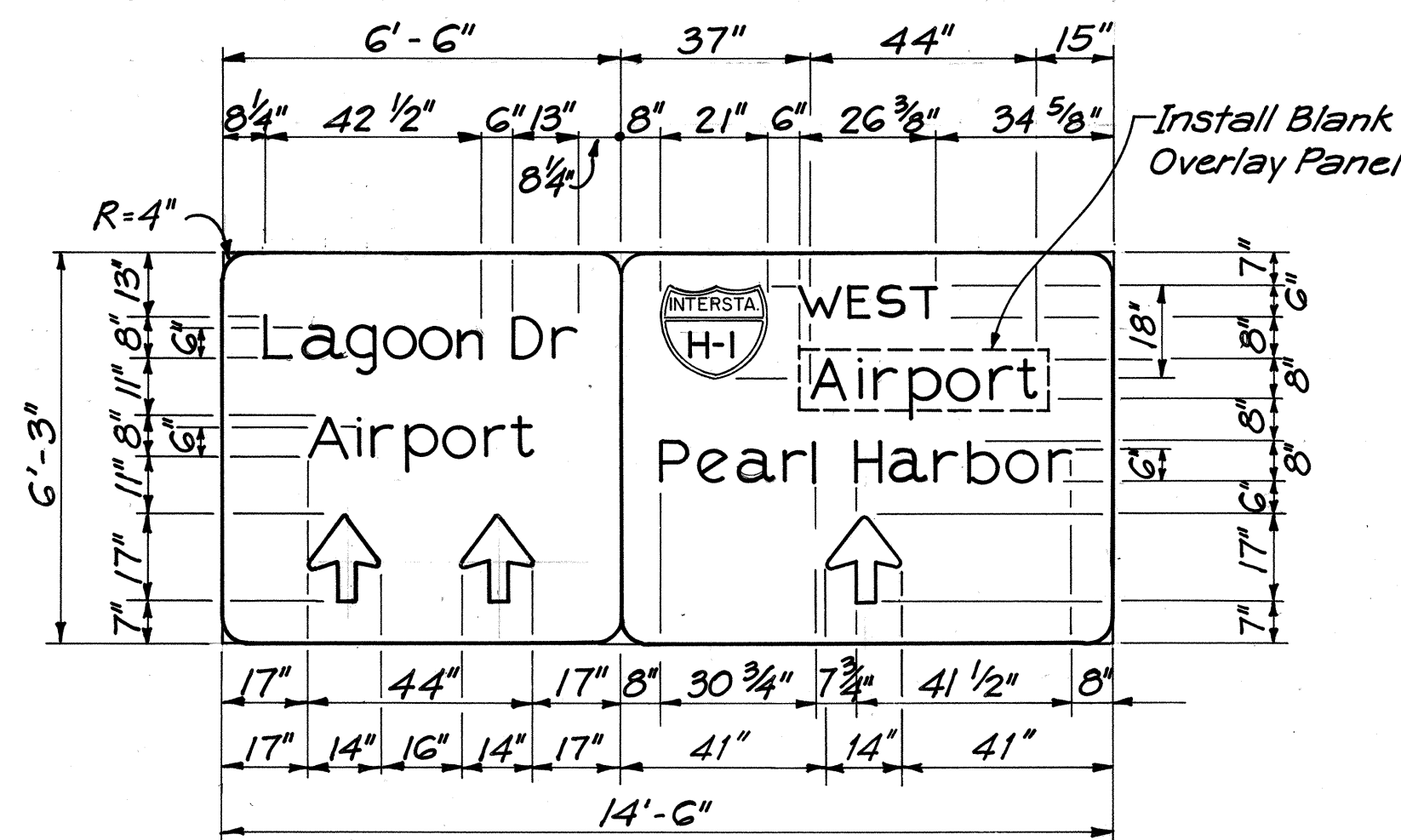


**TYPE 'A'**

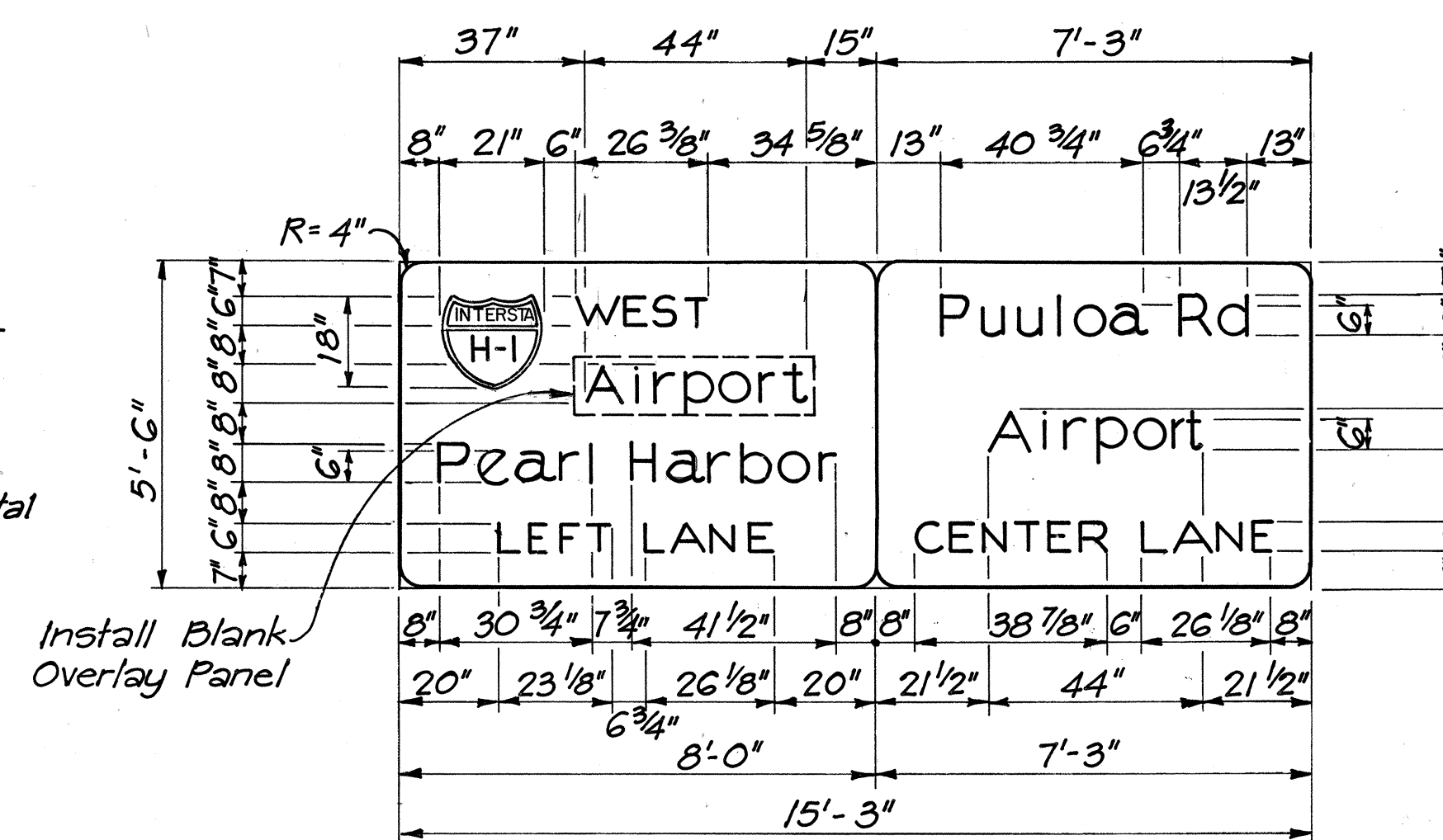


**TYPE 'B'**

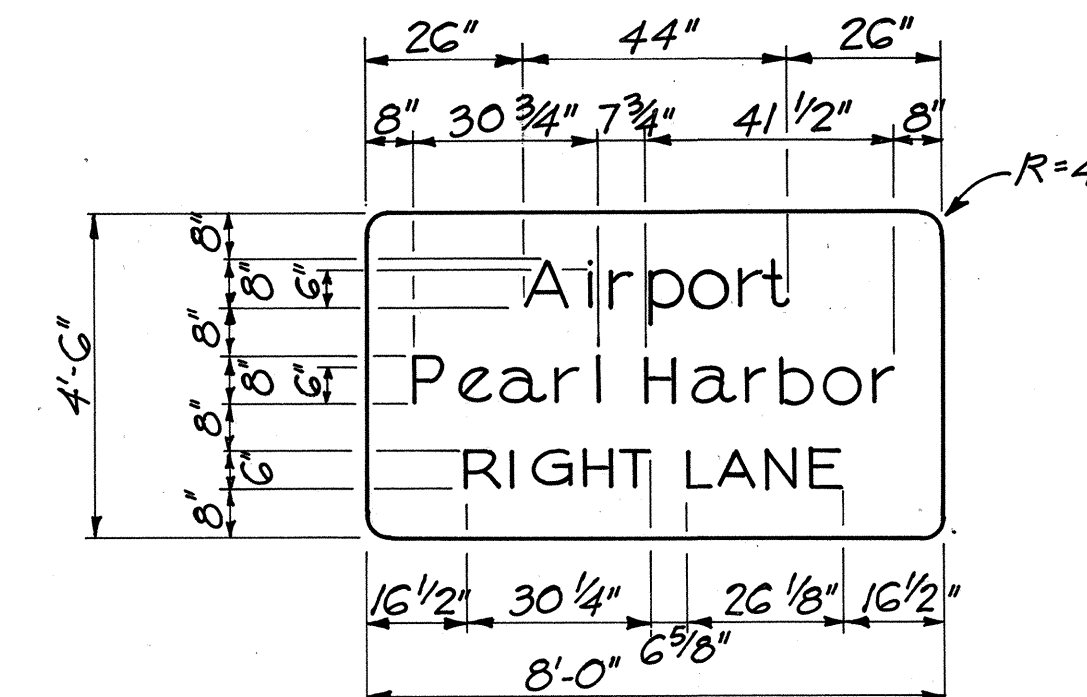
**ARROW DETAILS**  
Scale: 1/2" = 1'-0"



**SIGN T-22 & T-23**  
Type B Arrows  
Scale: 3/8" = 1'-0"



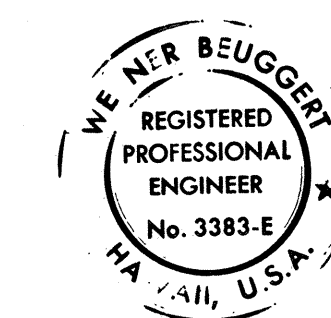
**SIGN T-24 & T-25**  
Scale: 3/8" = 1'-0"



**SIGN T-26**  
Scale: 3/8" = 1'-0"

**NOTES FOR TEMPORARY DESTINATION SIGNS ('T' DESIGNATION)**

- Exact Locations of Temporary Destination Signs will be determined in the Field by the Engineer.
- Overlay panels with or without message or arrow shall be of the same color and reflectorization as the existing sign. Payment shall be made under "Panel for Ground Mounted Destination Sign."
- Type of Sign Mounting will be at the Contractors Option, Subject to approval by the Engineer.
- Mounting to be Incidental to "Sign Panels."
- Material used for Sign Panels shall be 3/4" thick, waterproof, Fir Plywood. Contractor may submit alternative, subject to approval by the Engineer.
- Alphabetical Characters, Arrows, & Borders shall be of White High-Intensity Reflective Sheeting. Background shall be of Green High-Intensity Reflective Sheeting.
- Alphabetical Characters shall be Uppercase or Lowercase as shown, and shall have Series E dimensions and spacing in accordance with the FHWA publication "Standard Alphabets For Highway Signs" (Bureau of Public Roads, 1966).
- Borders and Separation lines shall have a width of 3/8" inch and a corner radius of 4 inches. Sign corners shall be left square.

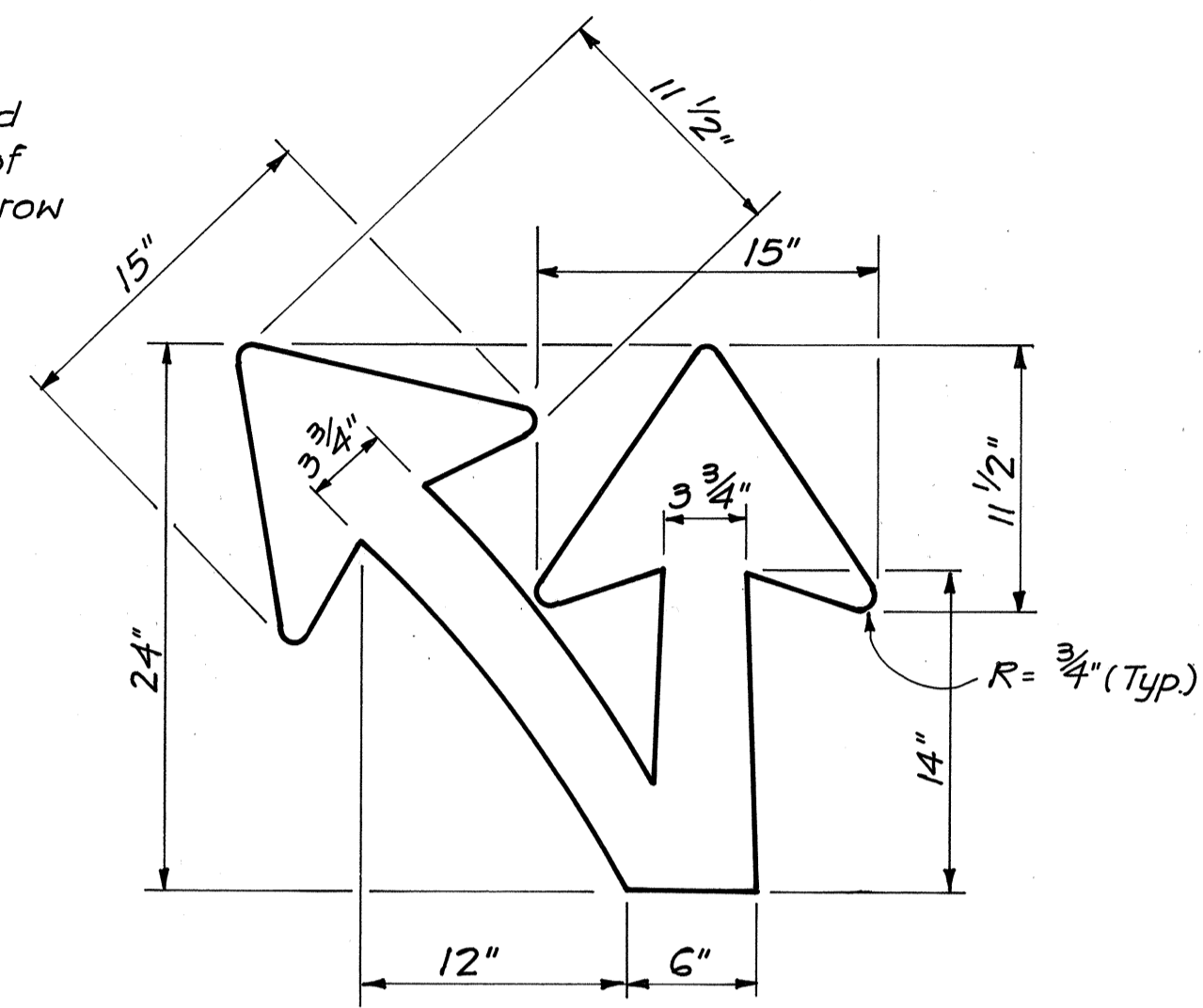
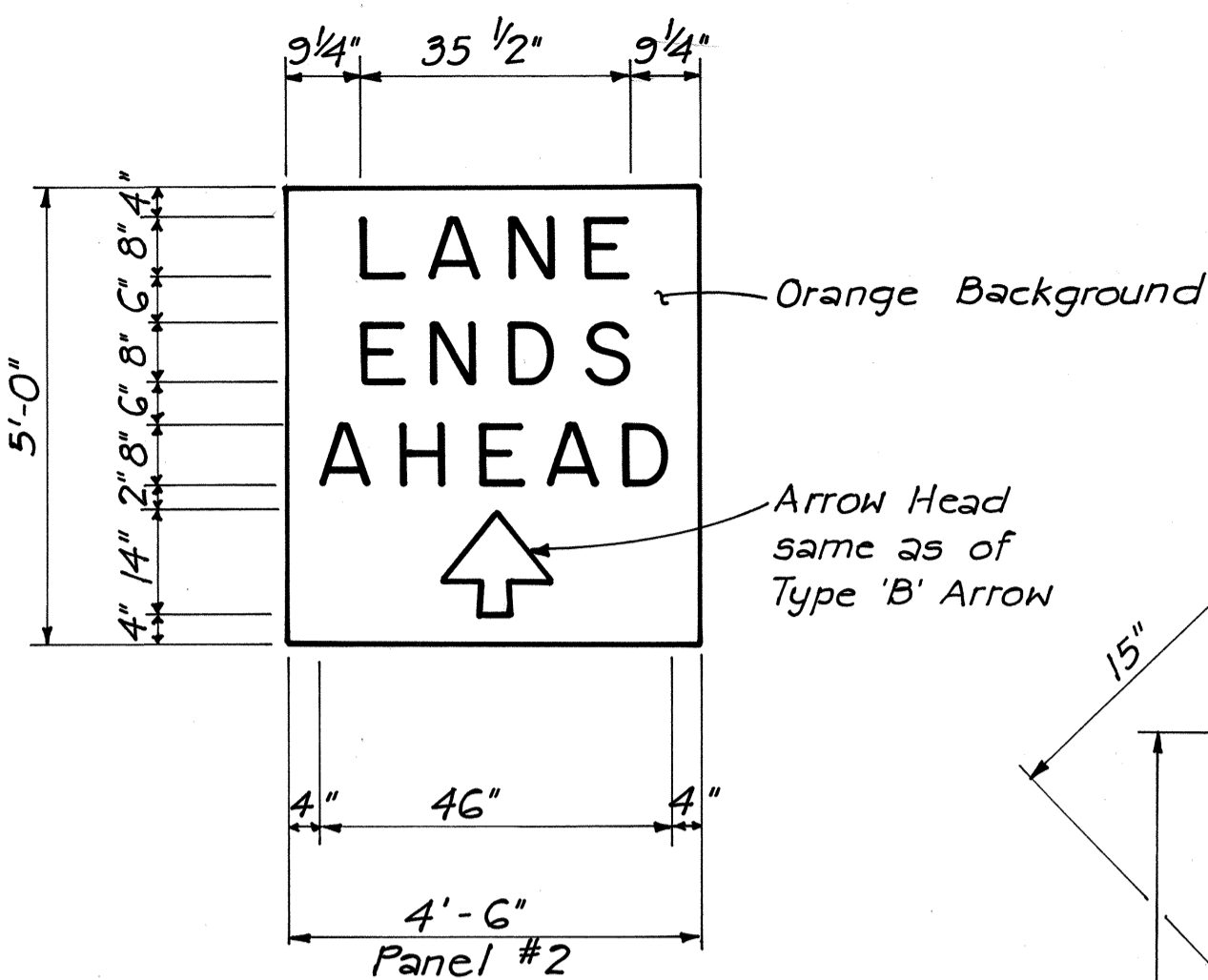
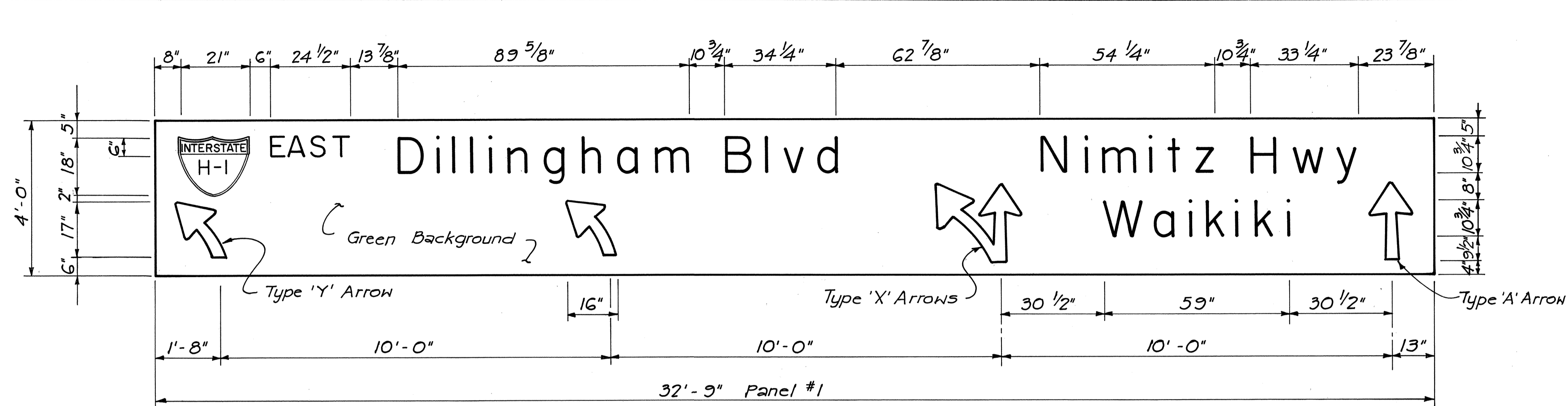


THIS WORK WAS PREPARED BY ME OR UNDER MY SUPERVISION.  
*W. M. R. Beugert*

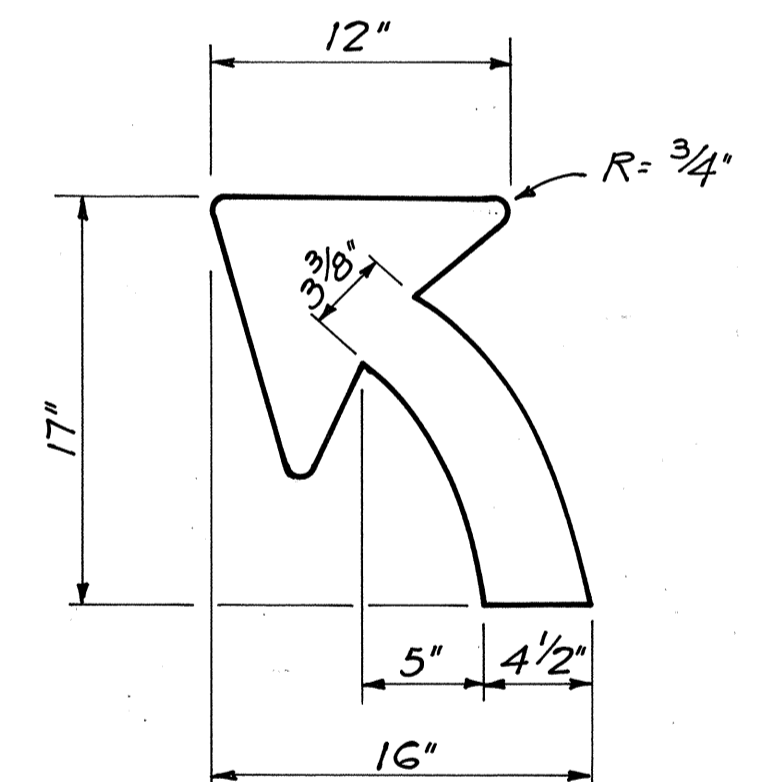
10/20/76	Revised Sign T-16 and Summary of Signs and Appurtenances.
DATE	REVISION
STATE OF HAWAII DEPARTMENT OF TRANSPORTATION HIGHWAYS DIVISION	
<b>SIGNING DETAILS</b>	
INTERSTATE ROUTE H-1 PROJECT NO. I-HI-1 (130)IT	
SCALE: AS SHOWN	DATE: AUG. 16, 1976
SHEET NO. 1 OF 2 SHEETS	

SURVEY PLOTTED BY: \_\_\_\_\_  
 DATE: \_\_\_\_\_  
 ORIGINAL PLAN: \_\_\_\_\_  
 DRAWN BY: \_\_\_\_\_  
 TRACED BY: \_\_\_\_\_  
 QUANTITIES BY: \_\_\_\_\_  
 CHECKED BY: \_\_\_\_\_  
 NO. \_\_\_\_\_

FED. ROAD DIST. NO.	STATE	FED. AID PROJ. NO.	FISCAL YEAR	SHEET NO.	TOTAL SHEETS
HAWAII	HAW.	I-HI-1(130)17	1976	415-1	174



**TYPE 'X' ARROW**  
Scale: 1/2" = 1'-0"



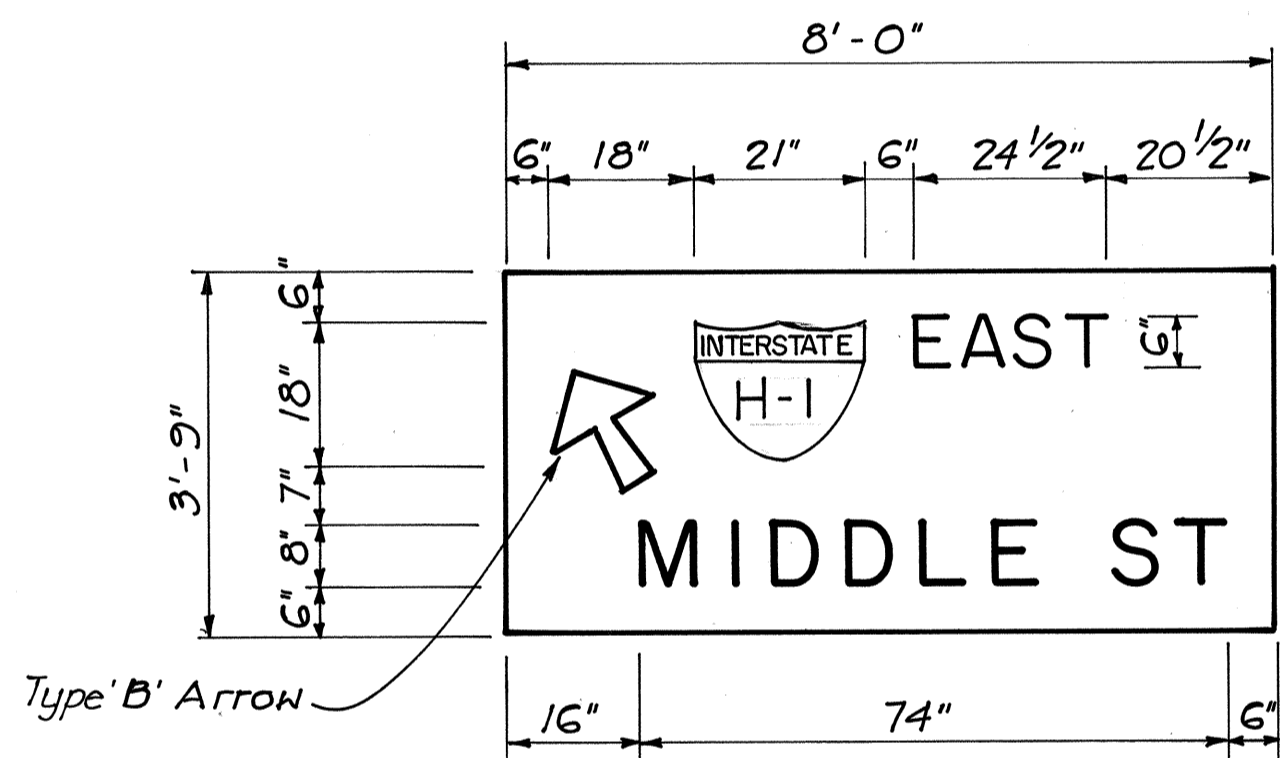
**TYPE 'Y' ARROW**  
Scale: 1/2" = 1'-0"

**NOTES FOR OVERHEAD SIGN ASSEMBLY T-15 :**

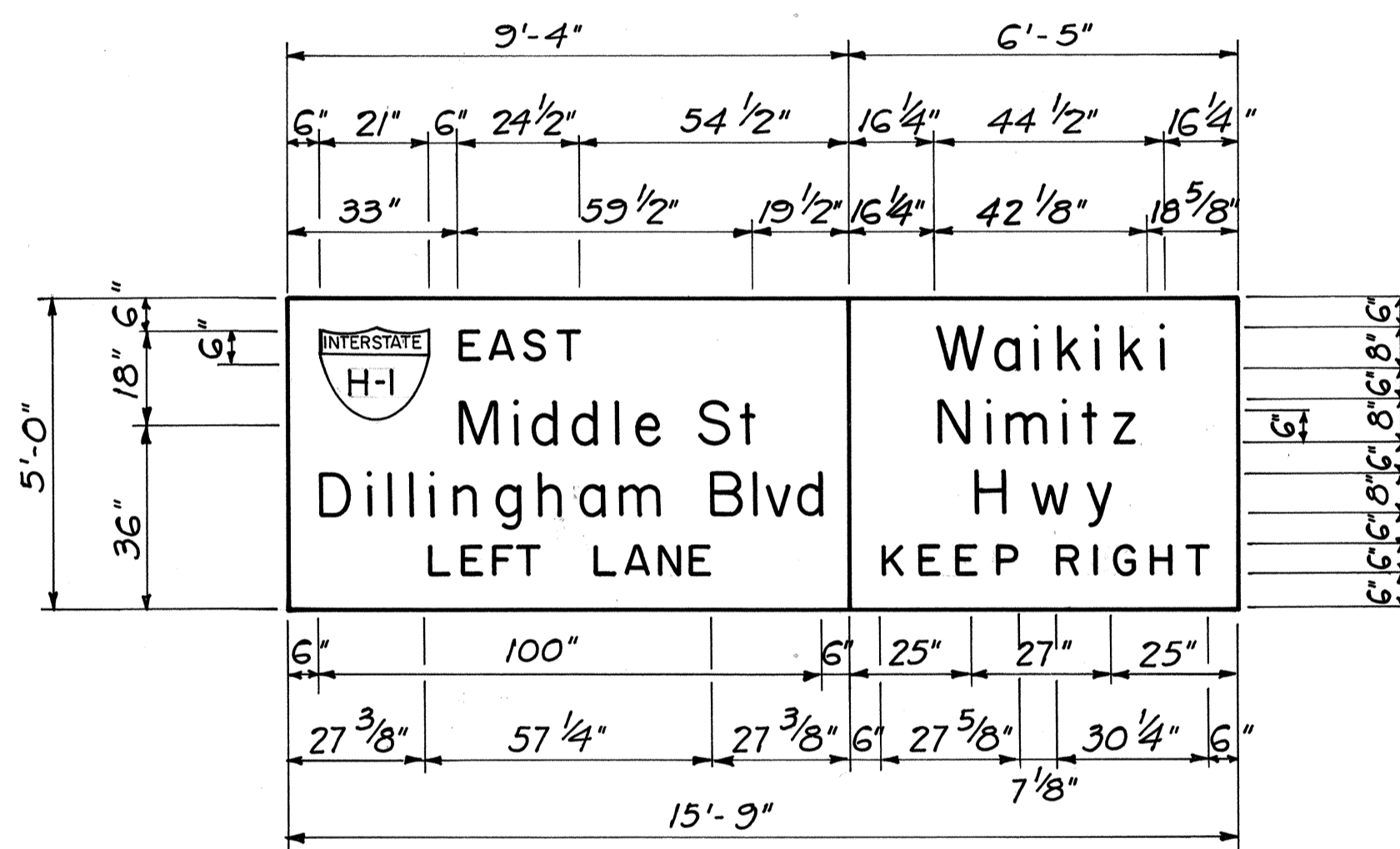
- Notes on Sheet ADD.41 are not applicable, except for Note Nos. 1 & 7.
- Alphabetical characters, arrows & borders shall be of white reflective sheeting. Background shall be of green or orange reflective sheeting, as shown.
- Border lines shall have a width of 2 inches & a corner radius of 3 inches.

**OVERHEAD SIGN ASSEMBLY T-15**

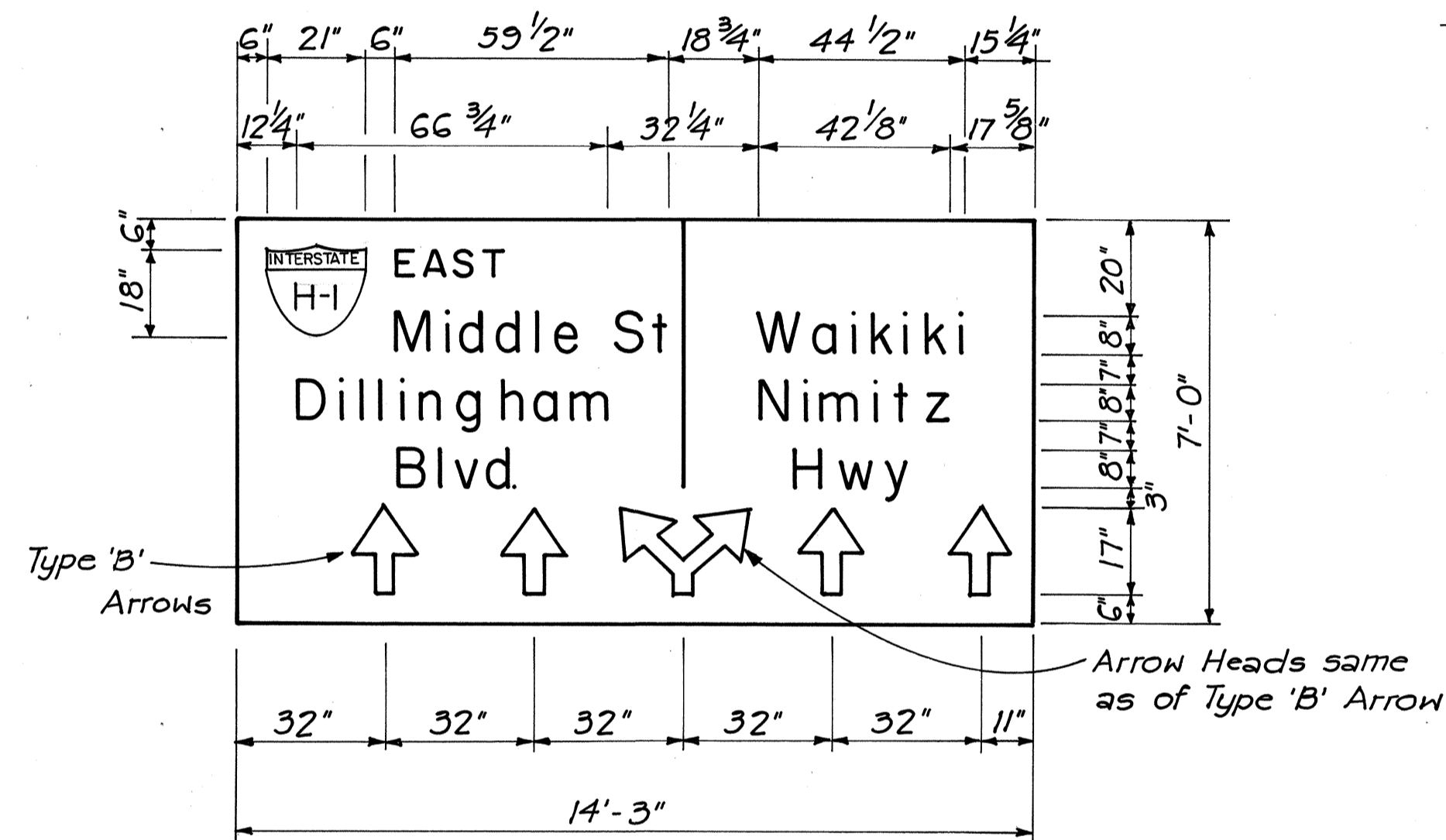
(Stage II Signing)  
Scale: 1/2" = 1'-0"



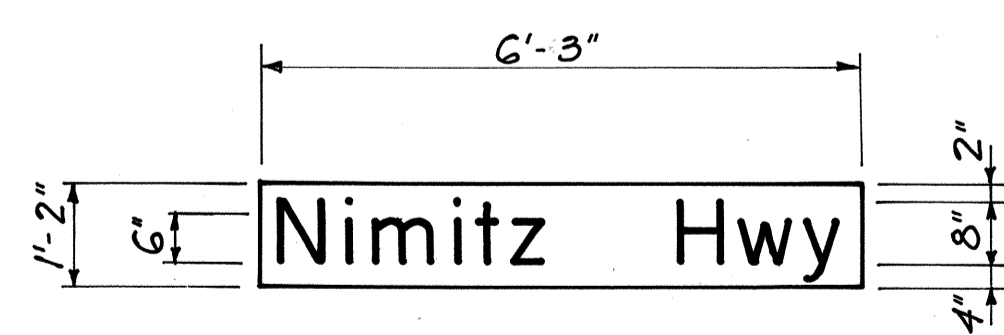
**OVERLAY PANEL FOR SIGN T-4a & T-4b**  
Scale: 1/2" = 1'-0"



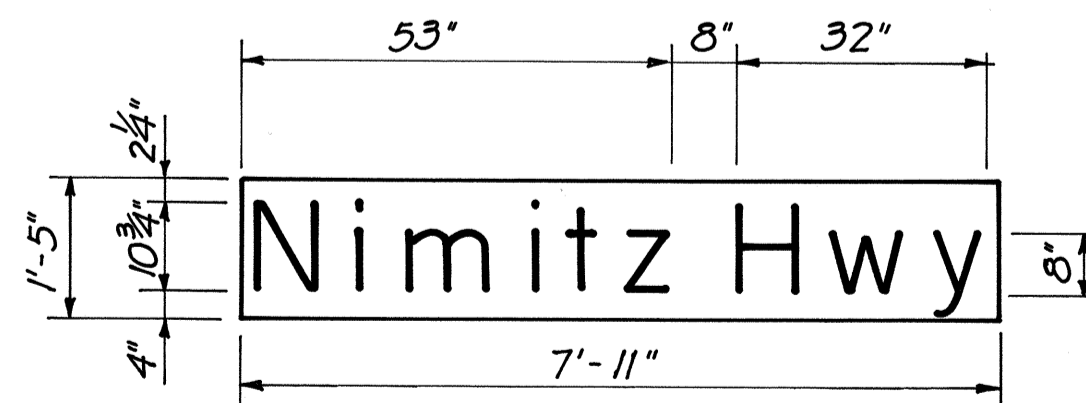
**SIGN T-27**  
Scale: 3/8" = 1'-0"



**SIGN T-28 & T-29**  
Scale: 3/8" = 1'-0"

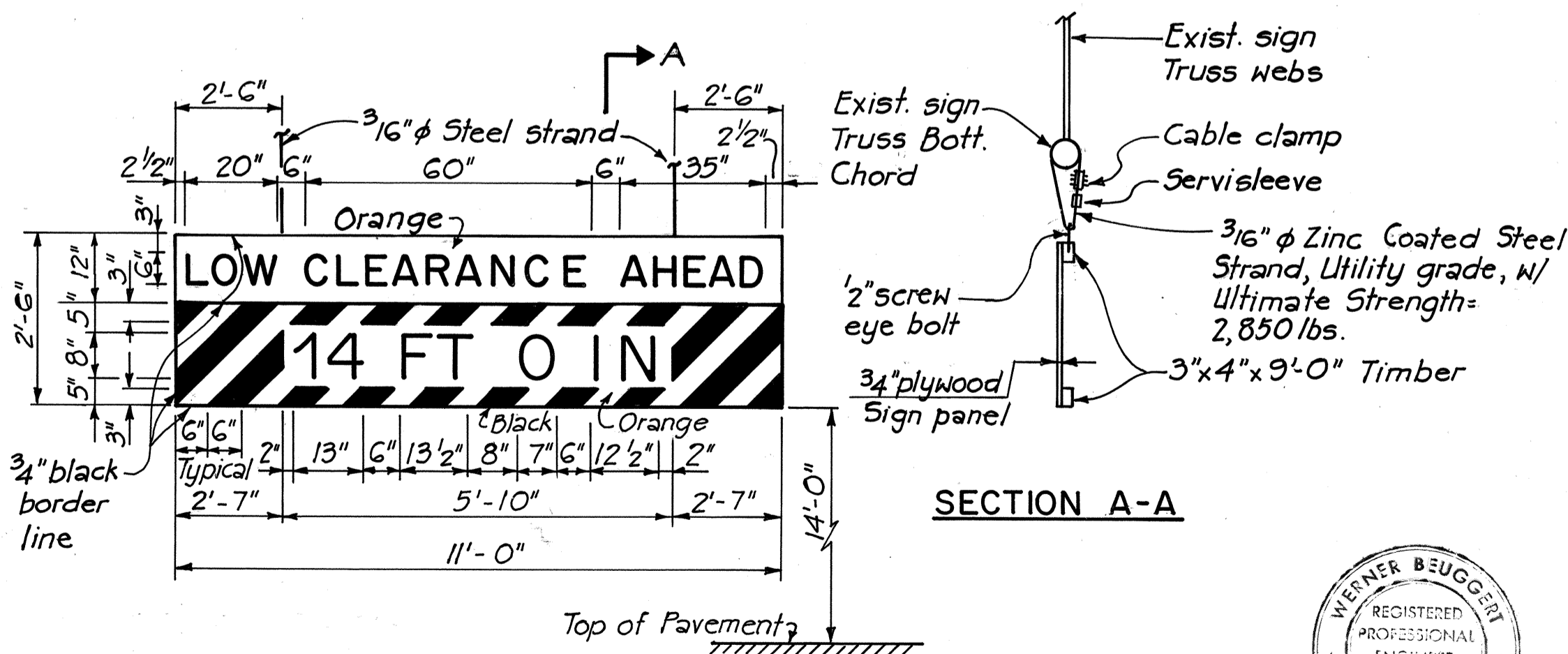


**OVERLAY PANEL FOR SIGN T-22, T-23, T-24 & T-25**  
Scale: 1/2" = 1'-0"



**OVERLAY PANEL FOR SIGN T-30 & T-31**  
Scale: 1/2" = 1'-0"

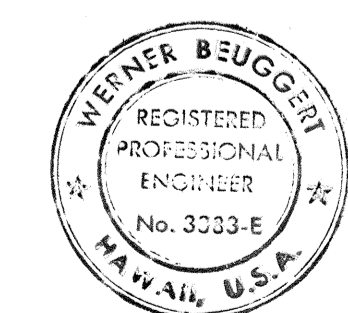
NOTE: Provide other side of panel with green reflective sheeting



**SECTION A-A**

**VERTICAL CLEARANCE SIGN**

To be mounted on Overhead Signs T-30 and T-31, centered over lane to Ramp I.  
No Scale



THIS WORK WAS PREPARED BY ME OR UNDER MY SUPERVISION.

Change Order #38

DATE	REVISION
12/5/78	Added Vertical Clearance Sign
3/23/78	Sheet added to Contract Plan Set for additional details required on Sheet No. ADD.41

**SIGNING DETAILS**

STATE OF HAWAII  
DEPARTMENT OF TRANSPORTATION  
HIGHWAYS DIVISION

**SIGNING DETAILS**

INTERSTATE ROUTE H-1  
PROJECT NO. I-HI-1(130)17

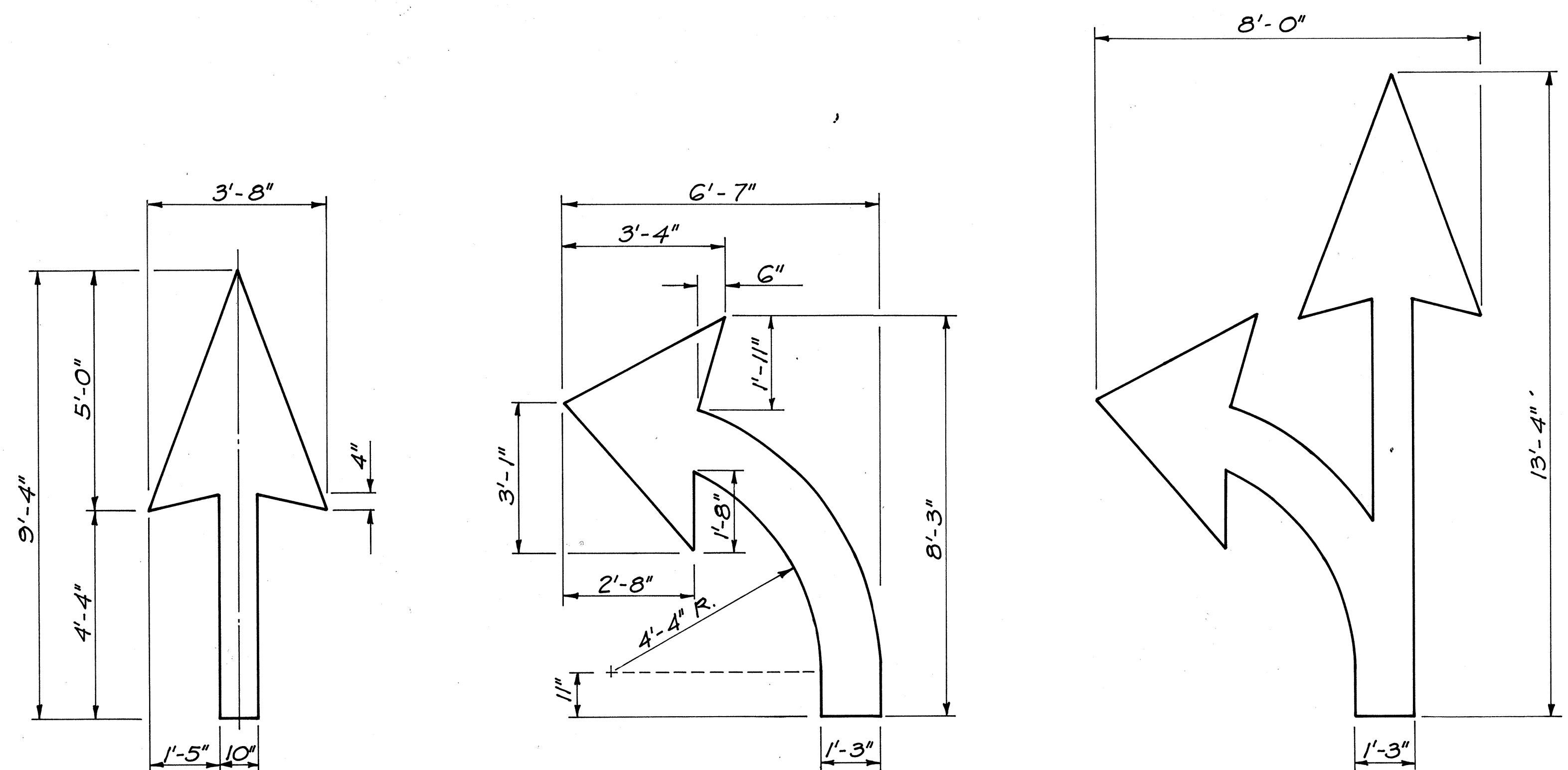
SCALE: As shown Date:

SHEET No. 1A OF 2 SHEETS

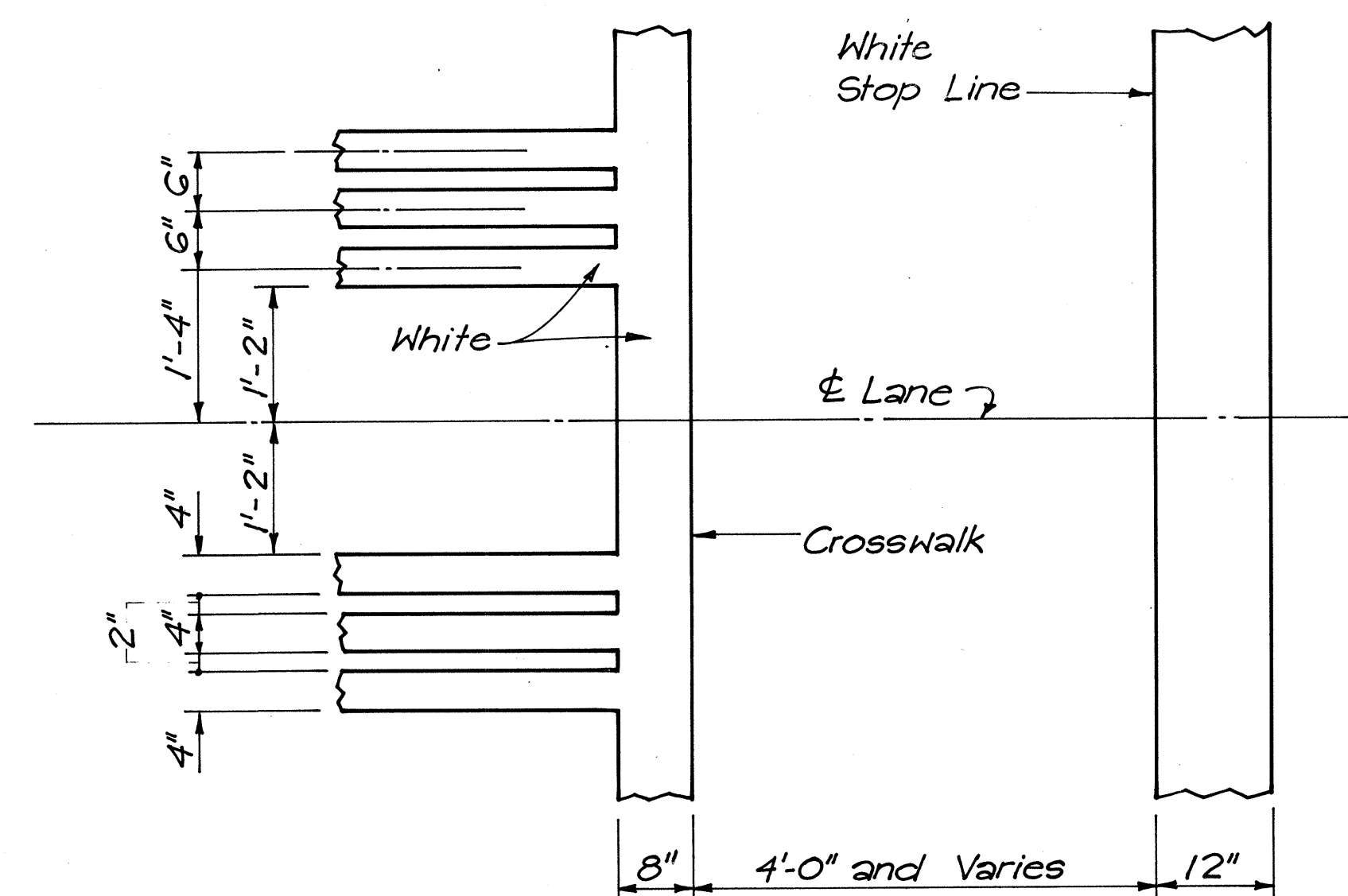
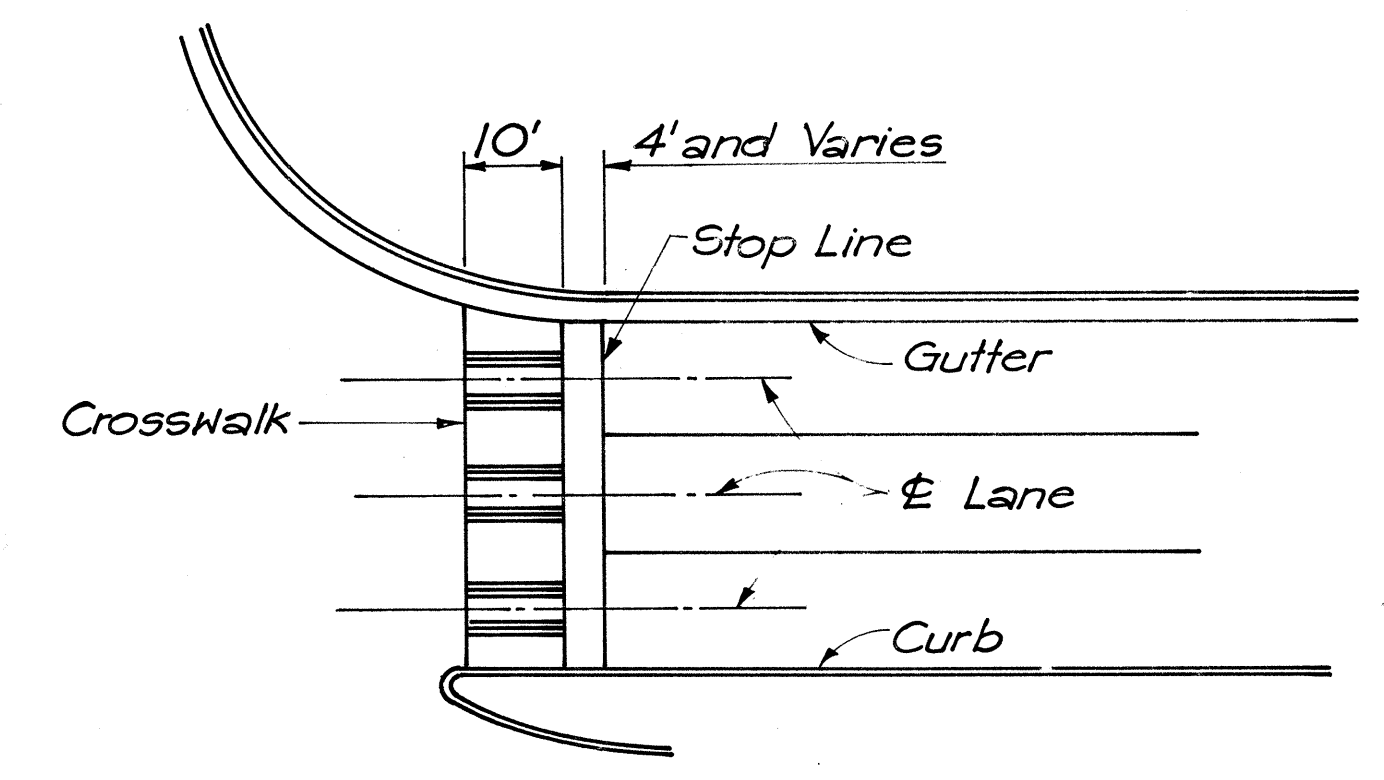
C.O. 415-1

DATE	
SURVEY PLOTTED BY	
ORIGINAL PLAN	
DRAWN BY	
DESIGNED BY	
CHECKED BY	
NO.	

FED. ROAD DIST. NO.	STATE	FED. AID PROJ. NO.	FISCAL YEAR	SHEET NO.	TOTAL SHEETS
HAWAII	HAW.	I-H1-1(130):17	1976	42	174



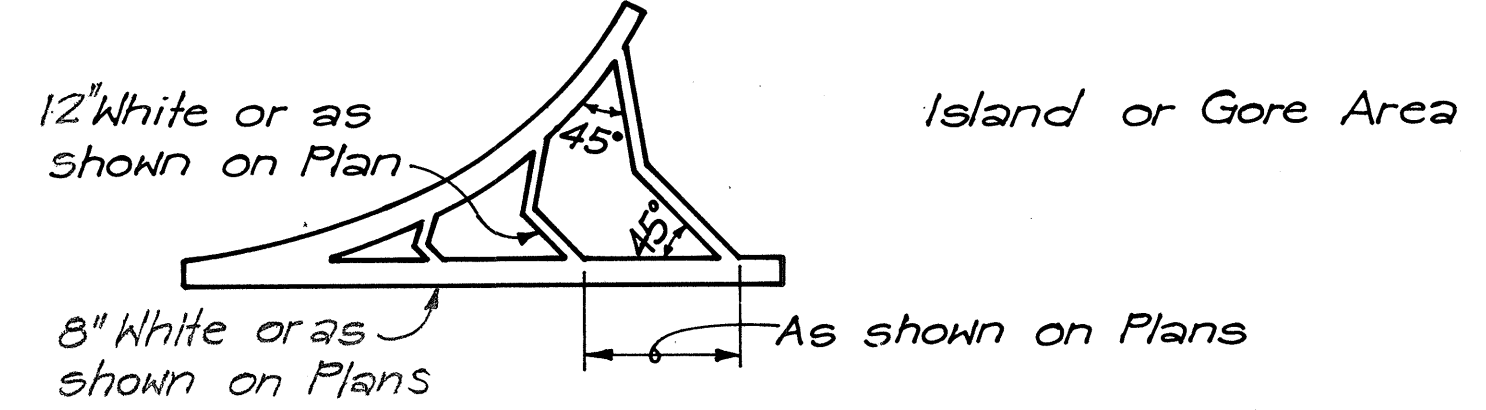
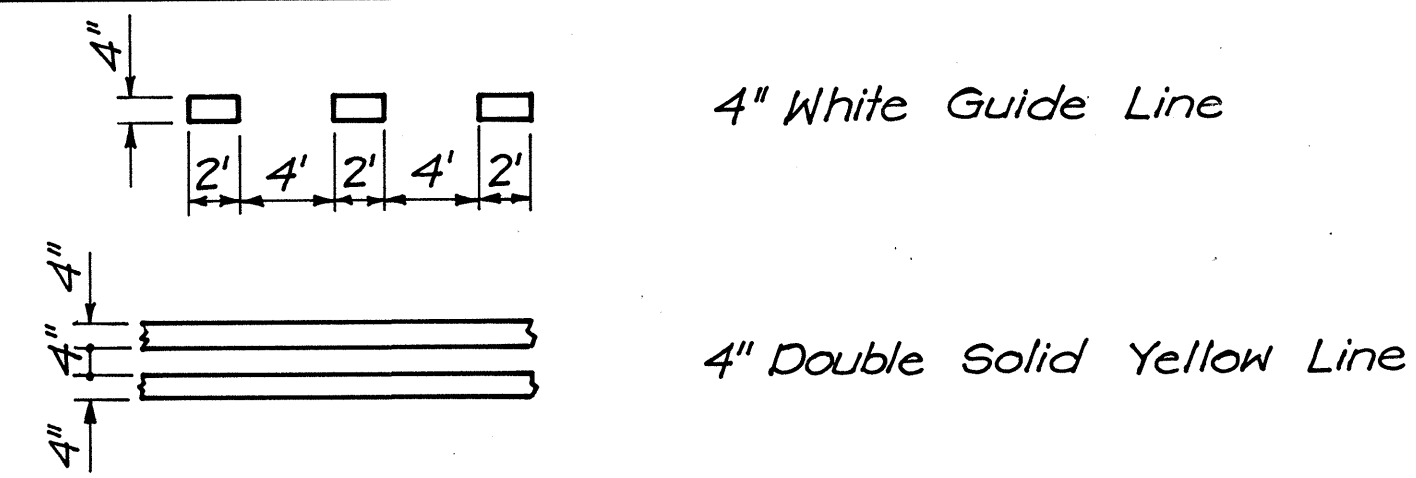
**PAVEMENT ARROWS**  
Scale: 1/2" = 1'-0"



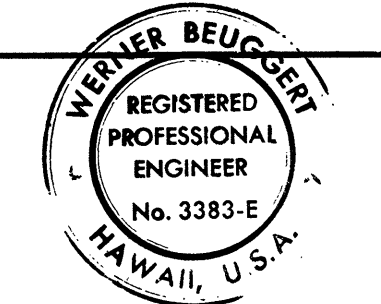
**CROSSWALK AND STOP LINE DETAIL**  
Not to Scale

**GENERAL NOTES : PAVEMENT MARKING**

1. Pavement Markings shall conform to the "Manual on Uniform Traffic Control Devices for Streets and Highways", 1971, and as shown on the Plans.
2. Pavement Markings shall be done by the Contractor. Exact Locations to be determined by the Engineer.
3. Existing Pavement Markings not compatible with the Traffic Pattern shall be removed as directed by the Engineer. All costs shall be incidental to the Contract Item "Pavement Striping".



**MISCELLANEOUS STRIPES**  
Not to Scale



THIS WORK WAS PREPARED BY ME OR UNDER MY SUPERVISION.  
*Werner Beugeler*

STATE OF HAWAII  
DEPARTMENT OF TRANSPORTATION  
HIGHWAYS DIVISION  
**PAVEMENT MARKING  
DETAILS**  
INTERSTATE ROUTE H-1  
PROJECT NO. I-H1-1(130):17  
SCALE: As shown      DATE: AUG. 16, 1976  
SHEET No. 2 OF 2 SHEETS

SURVEY PLOTTED BY	DATE
DESIGNED BY	
TRACED BY	
QUANTITIES BY	
CHECKED BY	
ORIGINAL PLAN	
NOTE BOOK	
NO.	