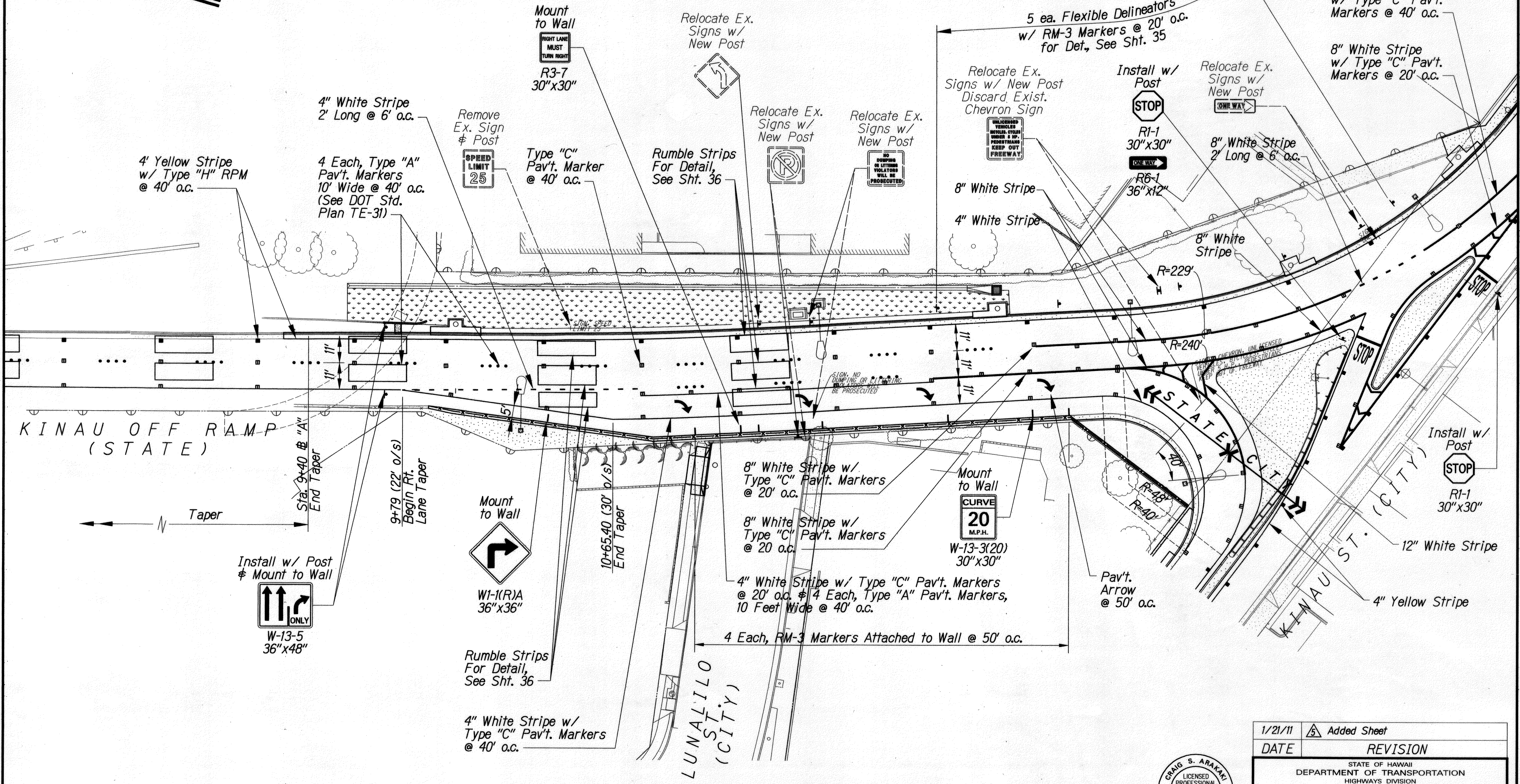


FED. ROAD DIST. NO.	STATE	FED. AID PROJ. NO.	FISCAL YEAR	SHEET NO.	TOTAL SHEETS
HAWAII	HAW.	TC-HI-1(258)	2006	C.O.36	89

True North
Scale: 1" = 20'

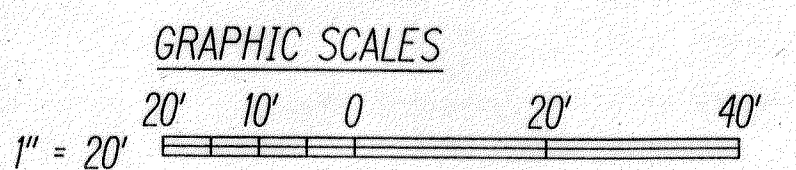


Notes:

1. Signing & Striping Within State Highway Right-Of-Way shall be Constructed per the State DOT Standard Plans, Unless Otherwise Noted.
2. The Contractor shall Coordinate the Relocation of the Bus Stop w/ Oahu Transit Service.

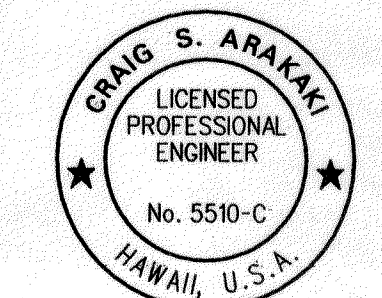
SIGNING & STRIPING PLAN-I

Scale: 1" = 20'



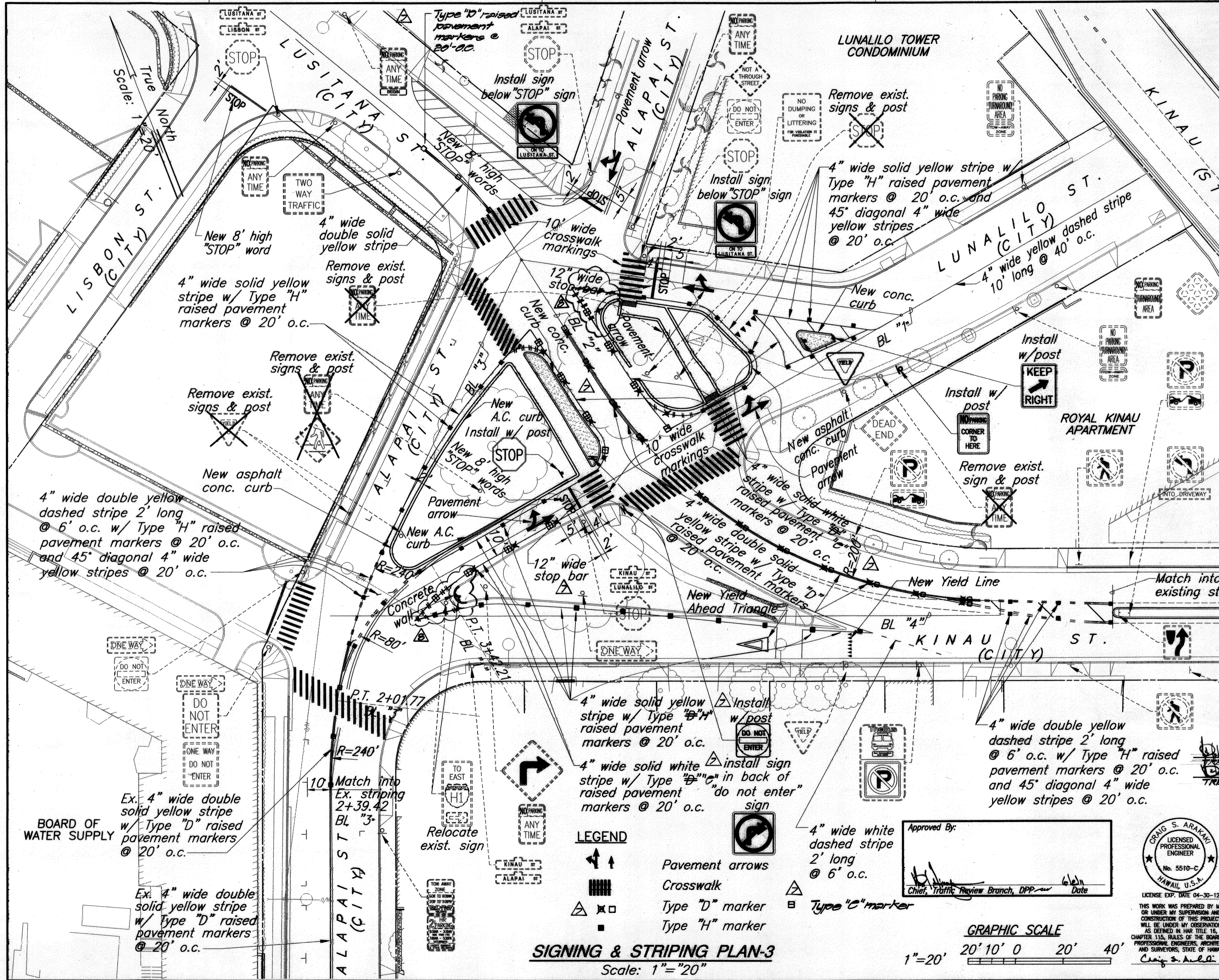
DATE
SURVEY PLOTTED BY
DRAWN BY
DESIGNED BY
CHECKED BY
NOTE BOOK
NO.

Approved By:
[Signature]
Chief, Traffic Review Branch, DPP Date
(For Work Within City ROW Only)



LICENSE EXP. DATE 04-30-12
THIS WORK WAS PREPARED BY ME OR UNDER MY SUPERVISION AND CONSTRUCTION OF THIS PROJECT WILL BE UNDER MY OBSERVATION AS DEFINED IN H.A.C. TITLE 16, CHAPTER 115, RULES OF THE BOARD OF PROFESSIONAL ENGINEERS, ARCHITECTS AND SURVEYORS - STATE OF HAWAII.
[Signature]

1/21/11	Added Sheet
DATE	REVISION
STATE OF HAWAII DEPARTMENT OF TRANSPORTATION HIGHWAYS DIVISION	
SIGNING & STRIPING PLAN-I	
INTERSTATE ROUTE H-1 Kinau Street Off-Ramp Improvements Vicinity Of Queen's Medical Center Federal-Aid Project No. TC-HI-1(258)	
Scale: As Shown	Date: Dec. 2006
SHEET No. 1 OF 2 SHEETS	



BOARD OF WATER SUPPLY
 Ex. 4" wide double solid yellow stripe w/ Type "D" raised pavement markers @ 20' o.c.

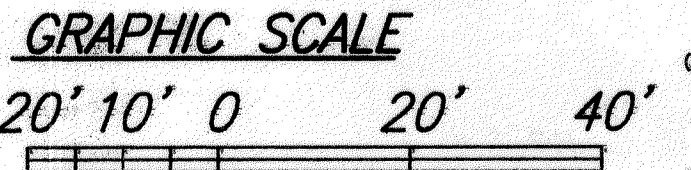
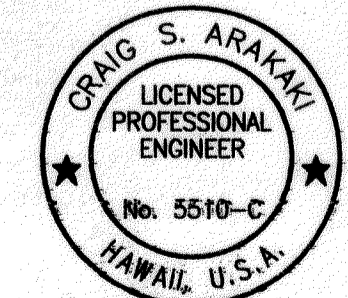
Ex. 4" wide double solid yellow stripe w/ Type "D" raised pavement markers @ 20' o.c.

4" wide solid yellow stripe w/ Type "H" raised pavement markers @ 20' o.c.
 4" wide solid white stripe w/ Type "D" raised pavement markers @ 20' o.c.
 4" wide white dashed stripe 2' long @ 6' o.c.

- LEGEND**
- Pavement arrows
 - Crosswalk
 - Type "D" marker
 - Type "H" marker
 - Type "C" marker

SIGNING & STRIPING PLAN-3
 Scale: 1"=20'

Approved By:
 Chief, Traffic Review Branch, DPP Date



DATE	REVISION
3/28/12	Revised striping
2/08/12	Revised striping and pavement markers
1/21/11	Added Sheet

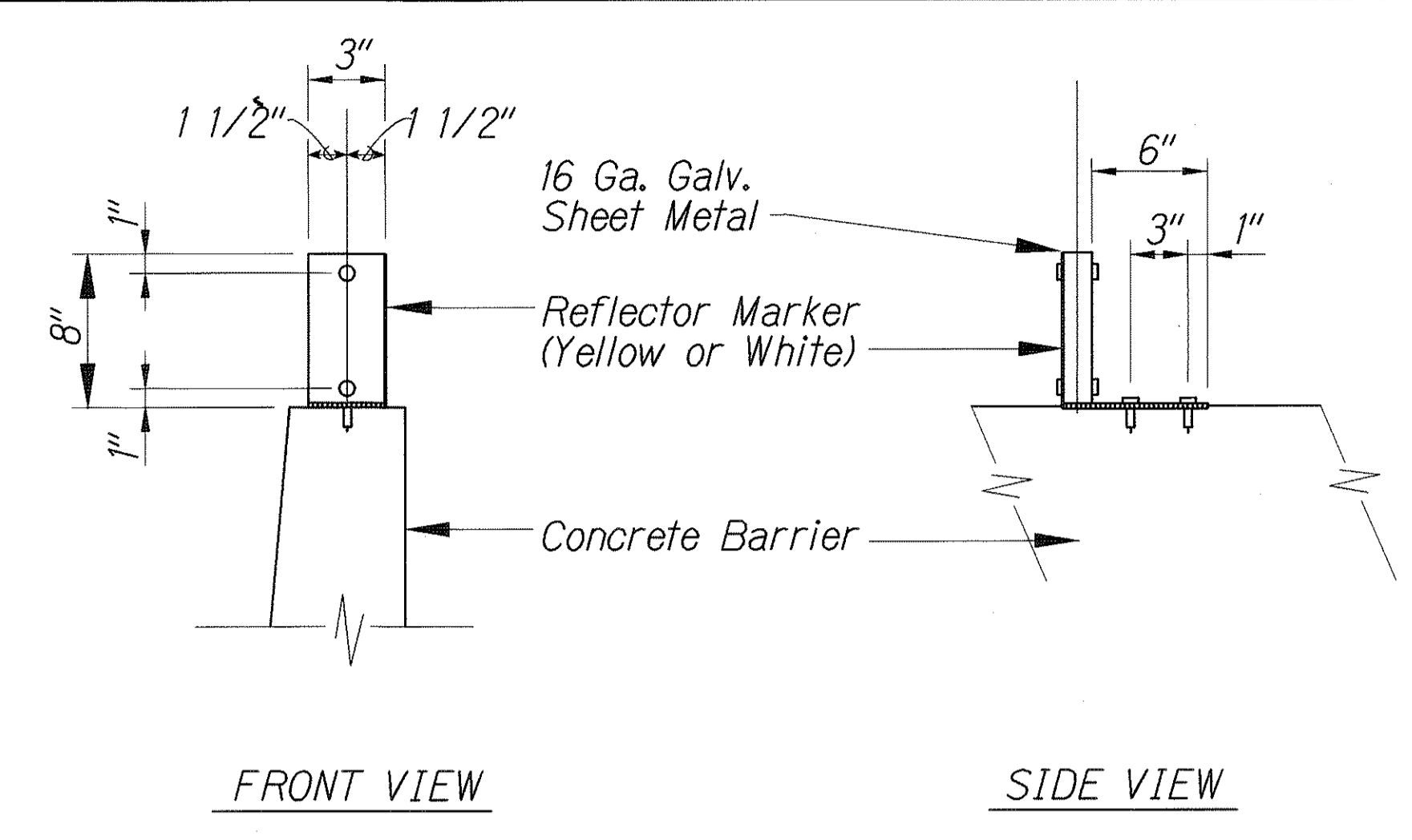
CITY AND COUNTY DEPARTMENT OF TRANSPORTATION SERVICES HONOLULU, HAWAII

SIGNING & STRIPING PLAN-3

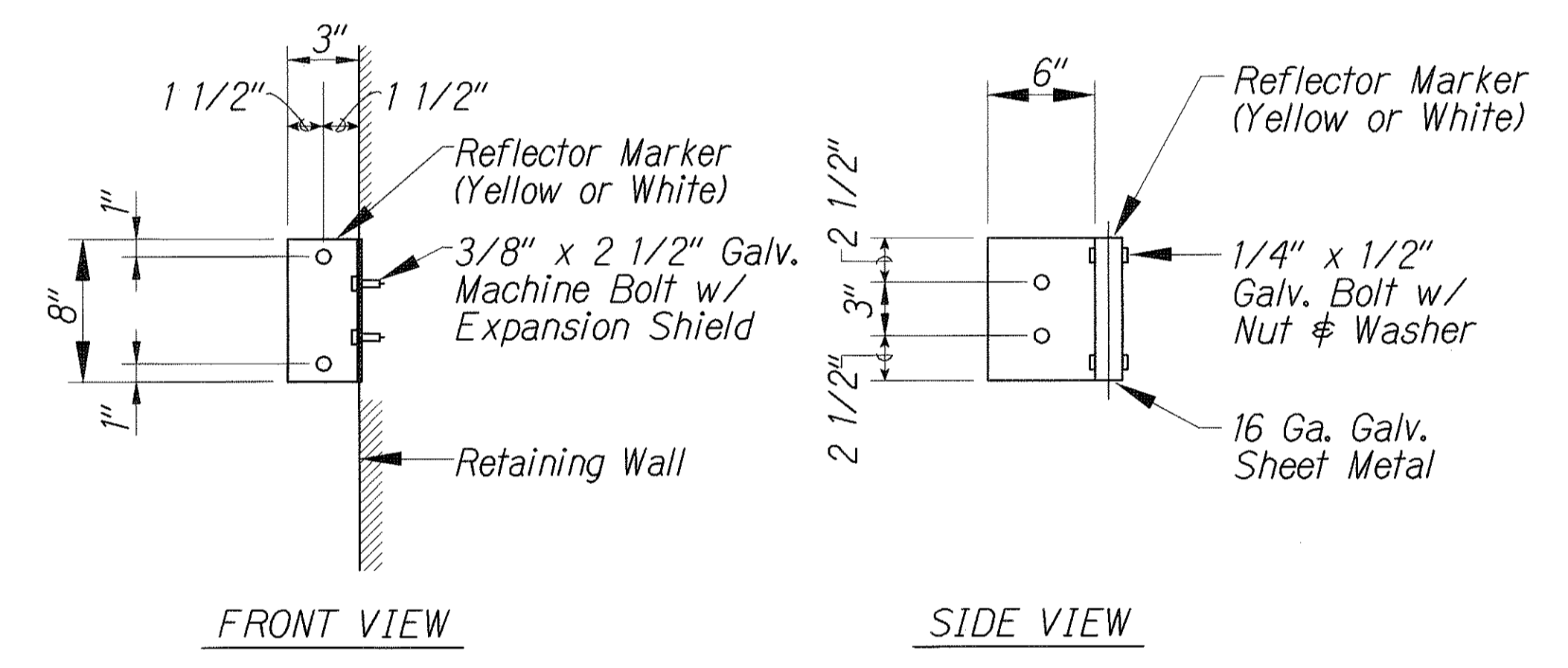
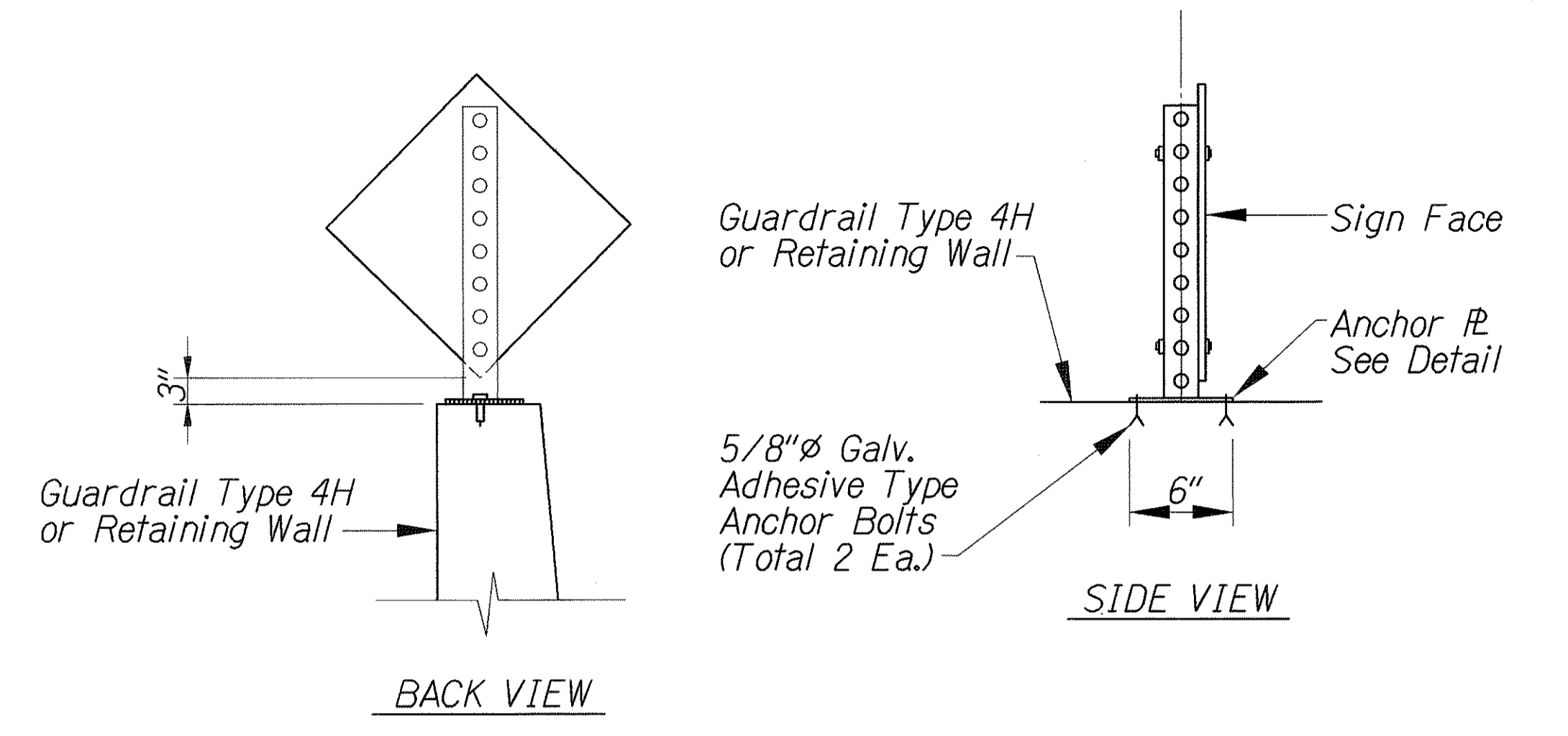
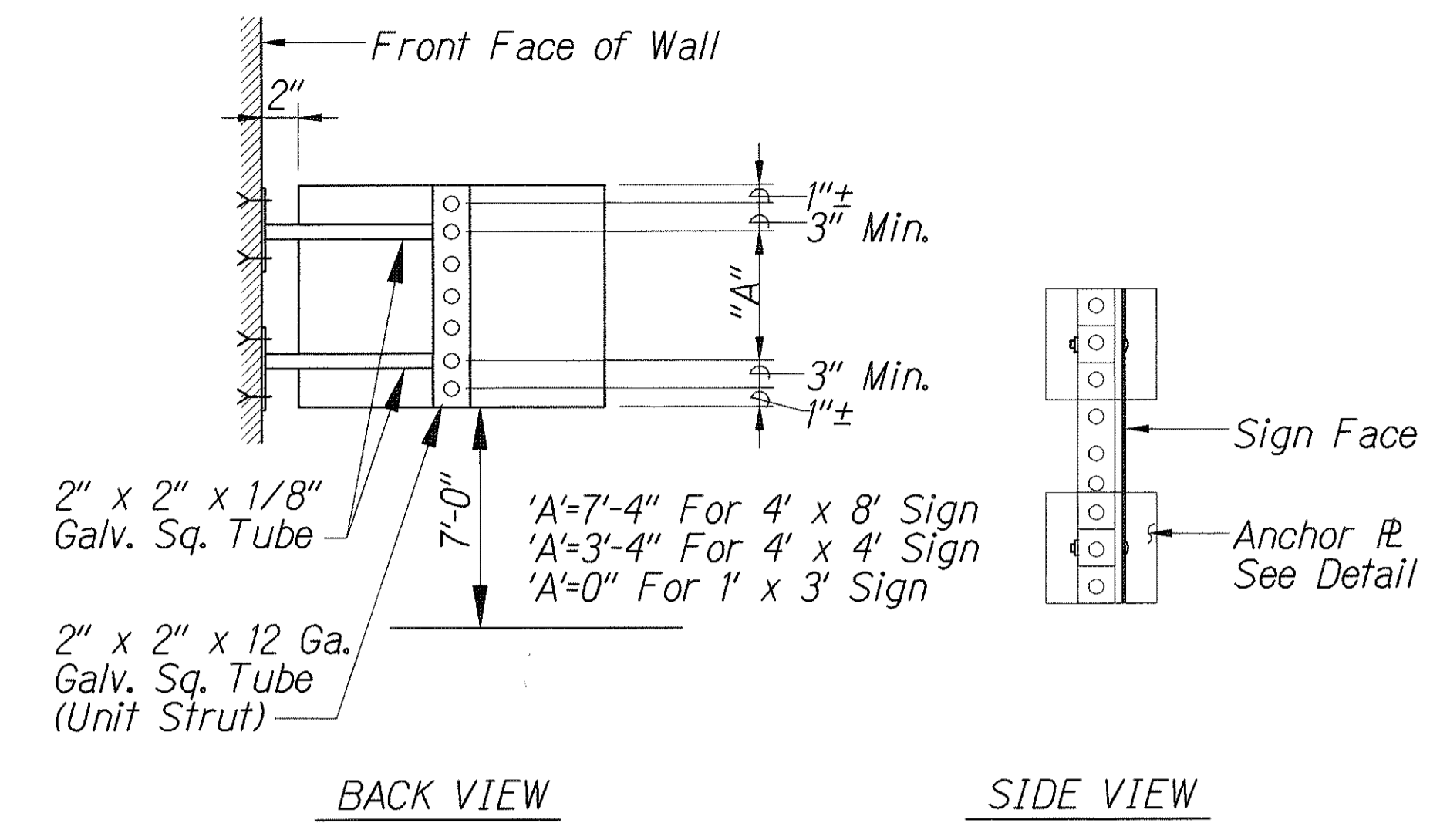
INTERSTATE ROUTE H-1
 Kinau Street Off-Ramp Improvements
 Vicinity of Queen's Medical Center
 Federal-Aid Project No. TC-H1-1(258)
 Scale: As Shown Date: Dec. 2006
 SHEET No. 2 OF 2 SHEETS

SURVEY PLOTTED BY: DMT
 ORIGINAL PLAN TRACKED BY: [Signature]
 NOTE BOOK DESIGNED BY: [Signature]
 QUANTITIES BY: [Signature]
 CHECKED BY: [Signature]
 No.

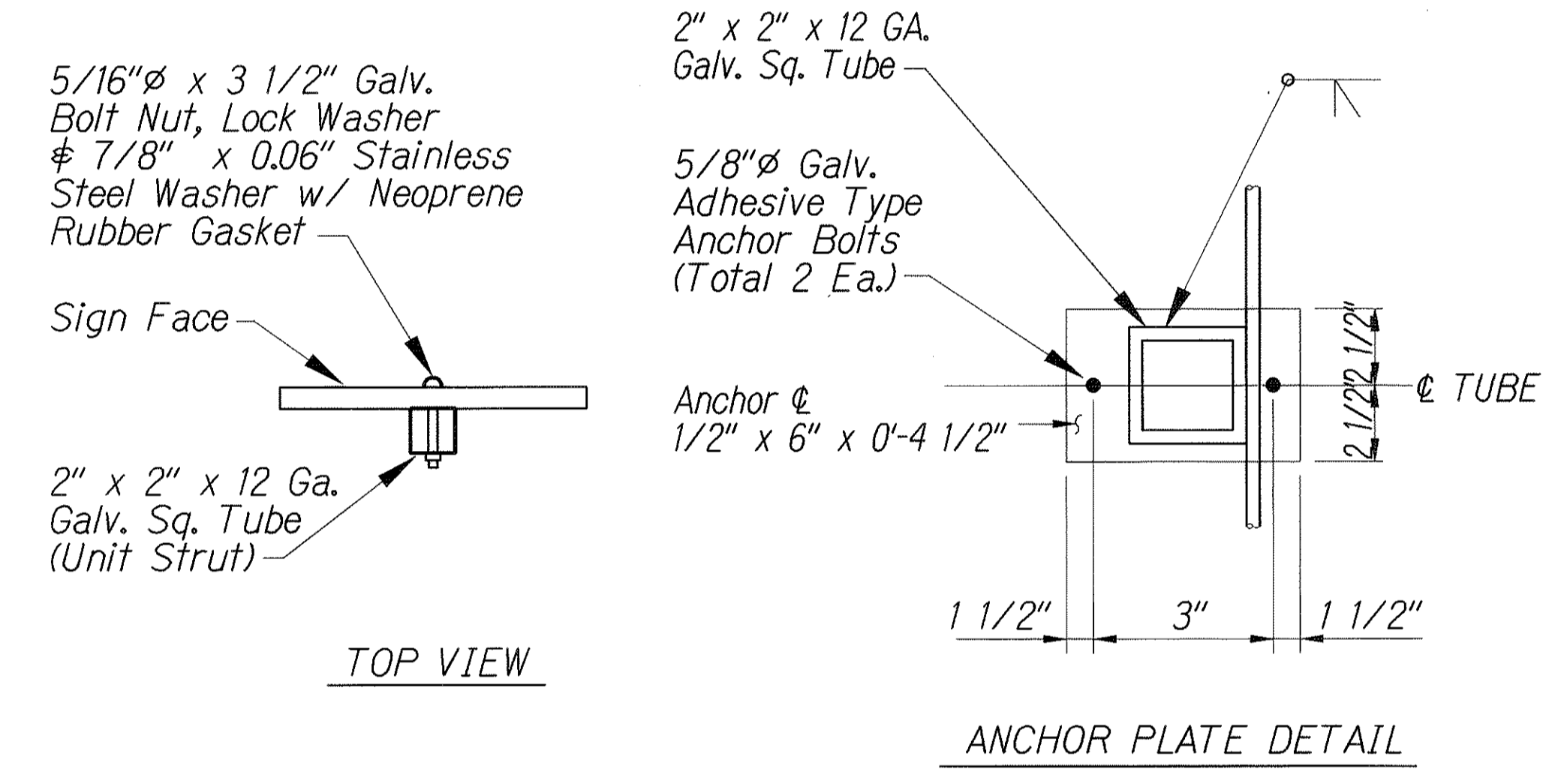
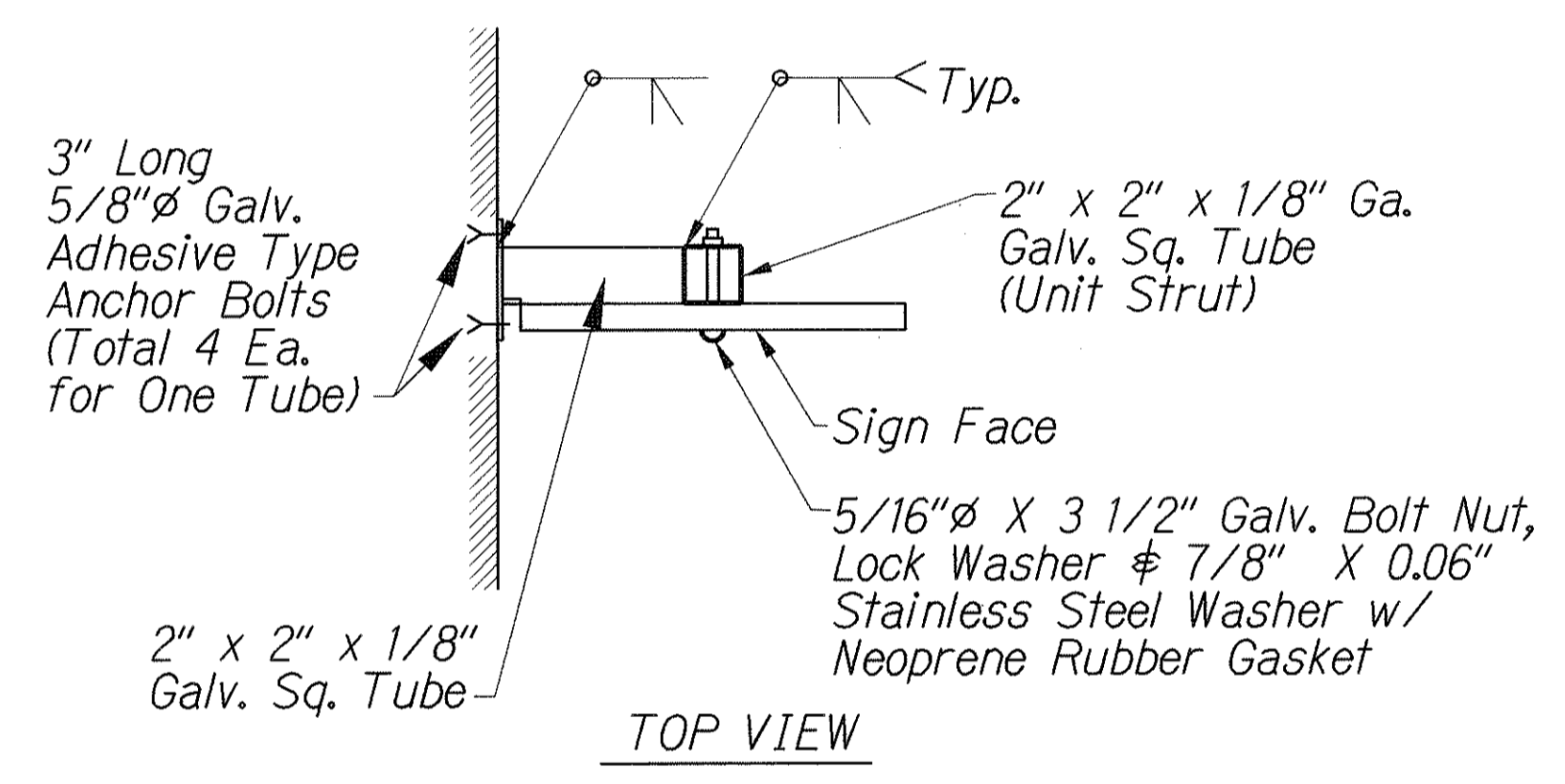
FED. ROAD DIST. NO.	STATE	FED. AID PROJ. NO.	FISCAL YEAR	SHEET NO.	TOTAL SHEETS
HAWAII	HAW.	TC-HI-(258)	2006	38	89



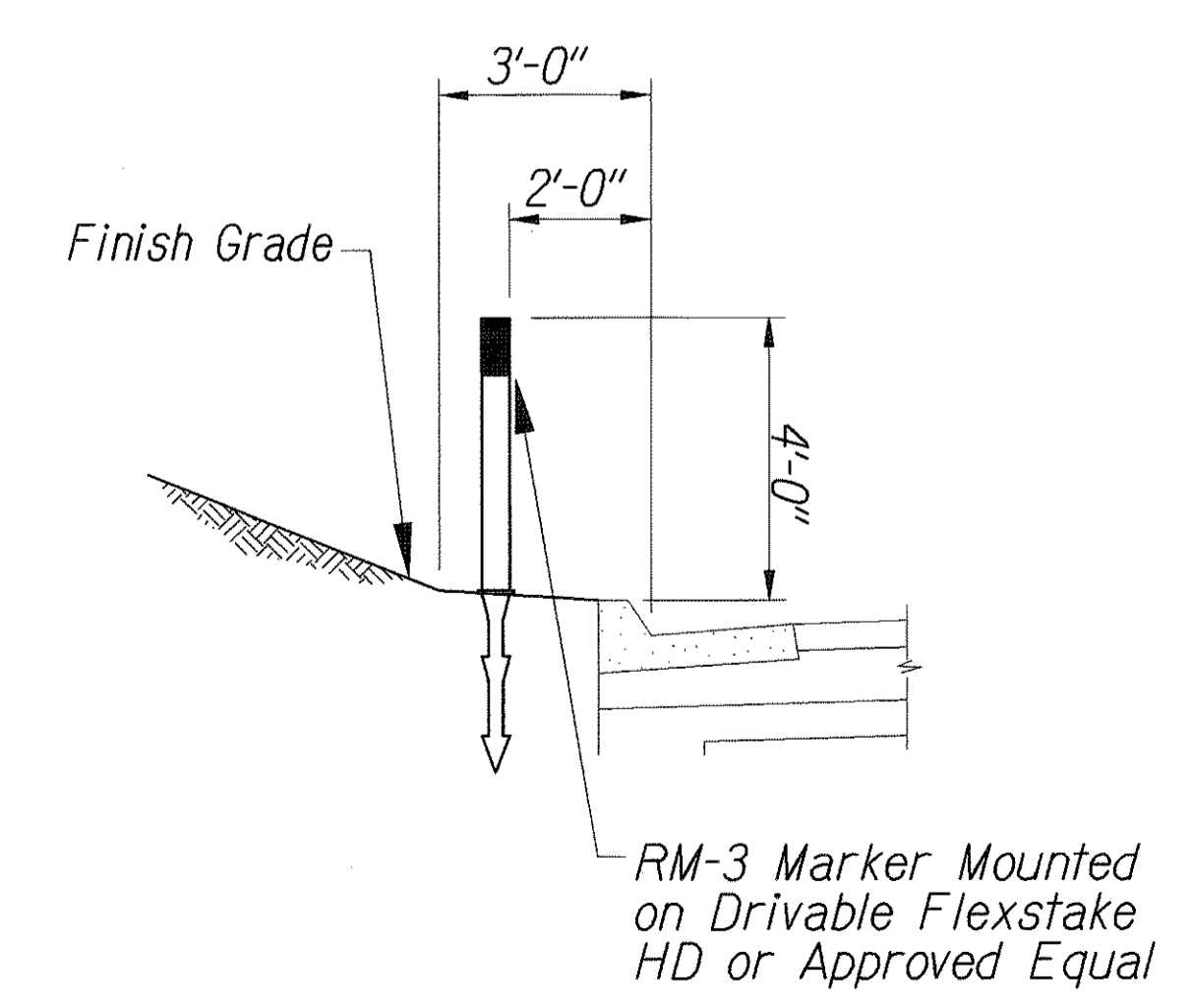
RM-2 MARKER MOUNTED ON CONCRETE PARAPET OR BARRIER
Not to Scale



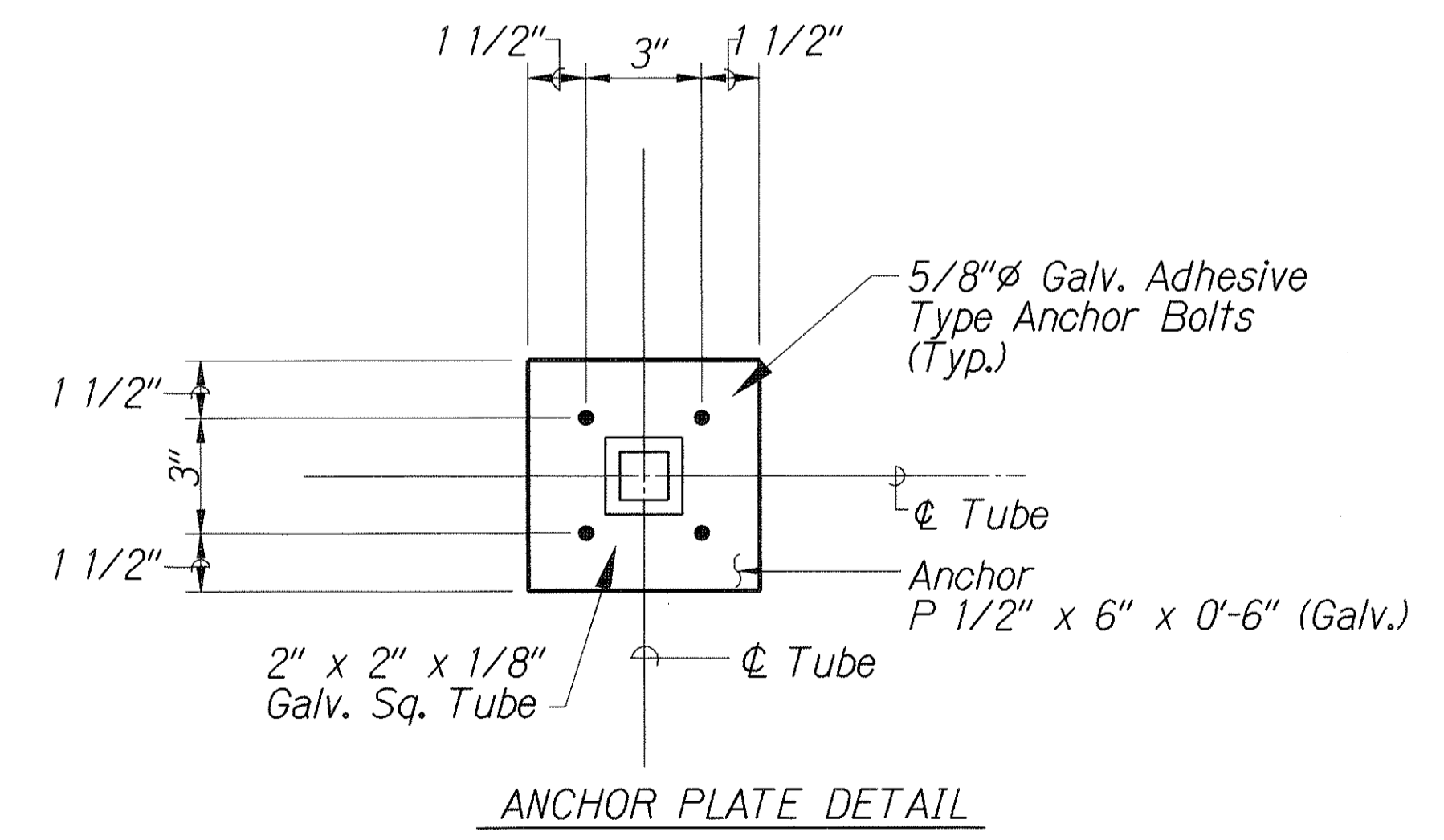
RM-2 MARKER MOUNTED ON FACE OF RETAINING WALL
Not to Scale



REGULATORY OR WARNING SIGN MOUNTED ON CONCRETE GUARDRAIL CONCRETE PARAPET OR RETAINING WALL (LOW HEIGHT)
Not to Scale



RM-3 MARKER MOUNTED ON FLEXIBLE DELINEATORS
Not to Scale



REGULATORY OR WARNING SIGN MOUNTED ON FACE OF RETAINING WALL
Not to Scale

DESIGNED BY	DATE
DRAWN BY	
CHECKED BY	
IN CHARGE	
DATE	
NO.	

CRAIG S. ARAOKI
LICENSED PROFESSIONAL ENGINEER
No. 5510-C
HAWAII, U.S.A.
LICENSE EXP. DATE 04-30-08
THIS WORK WAS PREPARED BY ME OR UNDER MY SUPERVISION AND CONSTRUCTION OF THIS PROJECT WILL BE UNDER MY OBSERVATION AS DEFINED IN HAWAII TITLE 16, CHAPTER 115, RULES OF THE BOARD OF PROFESSIONAL ENGINEERS, ARCHITECTS AND SURVEYORS, STATE OF HAWAII.
Craig S. Araoki

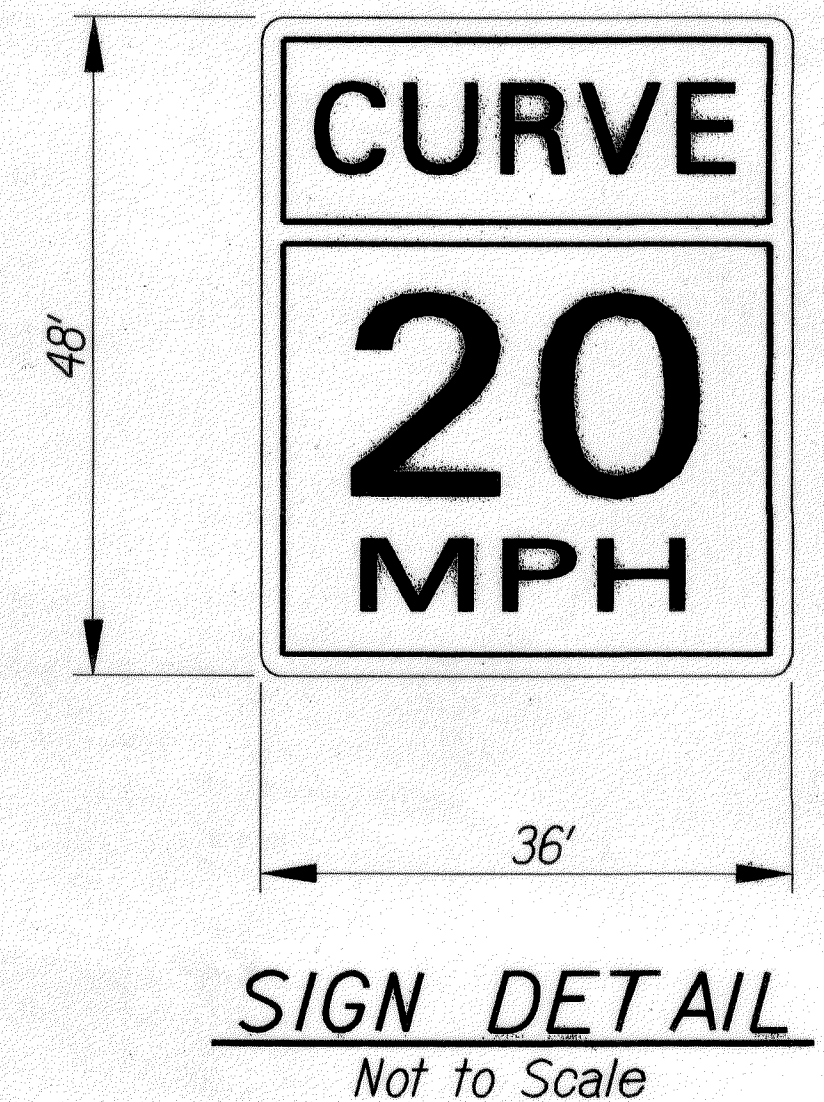
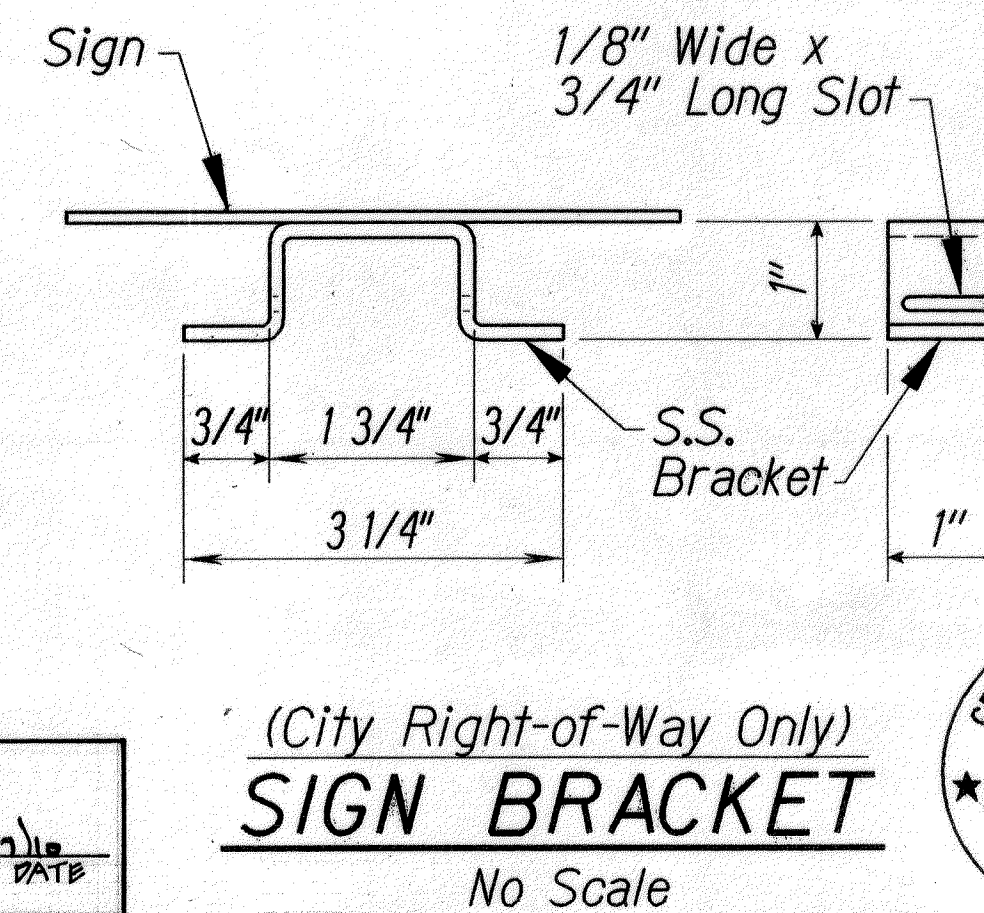
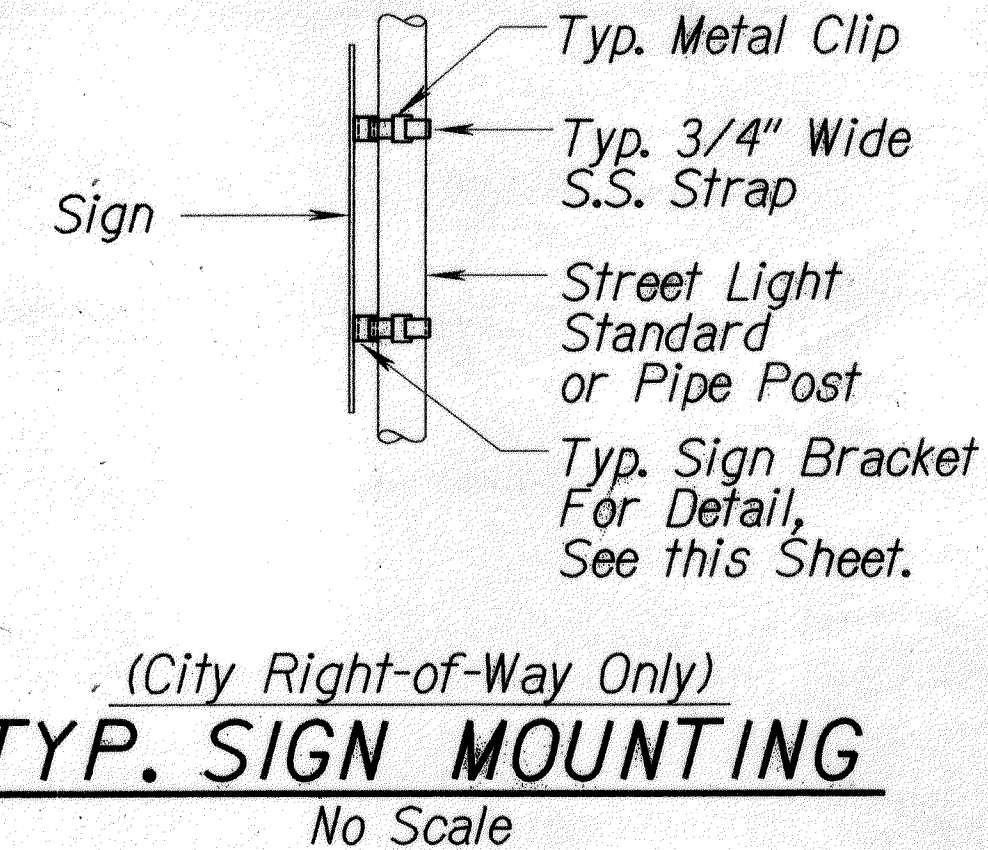
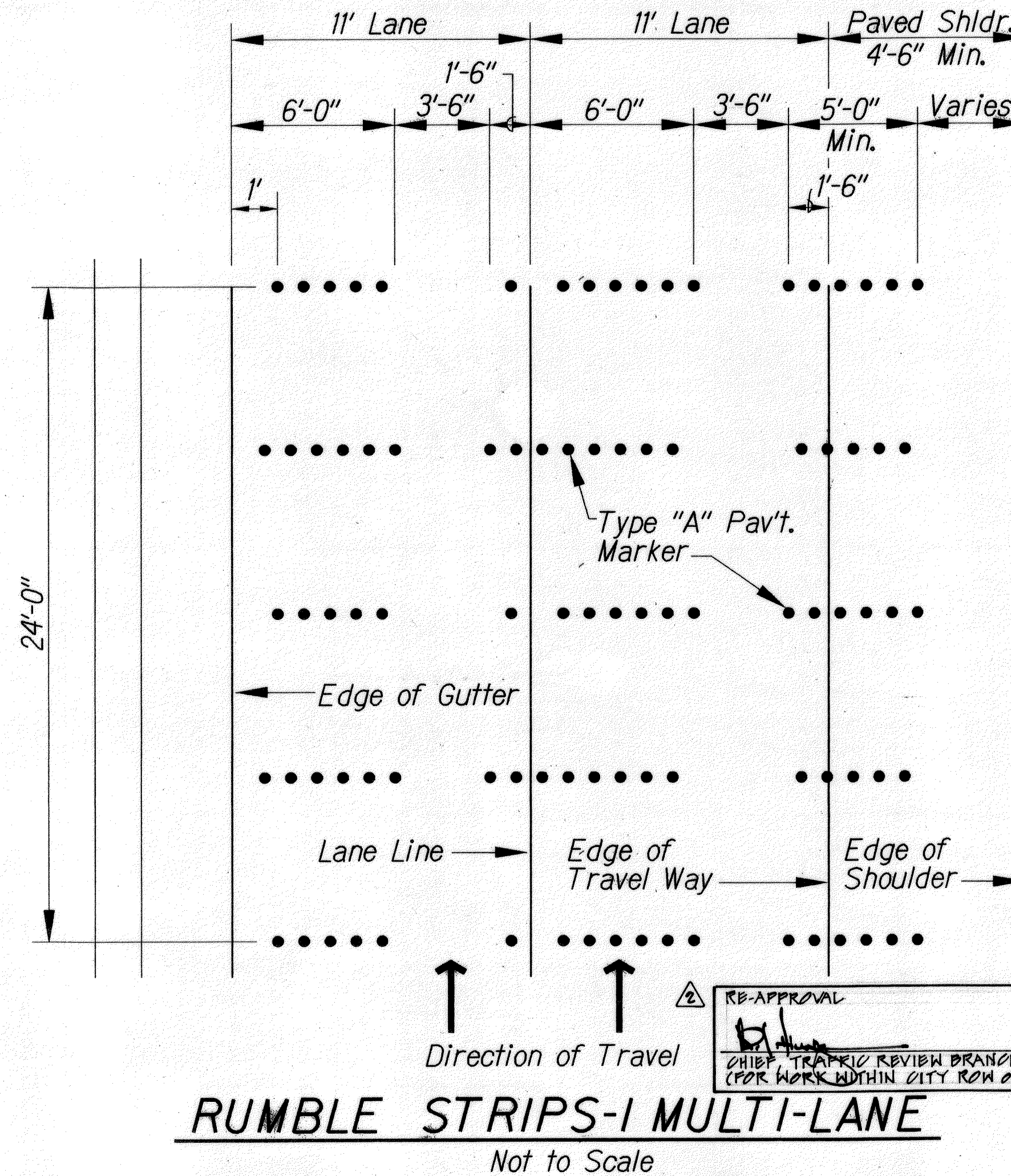
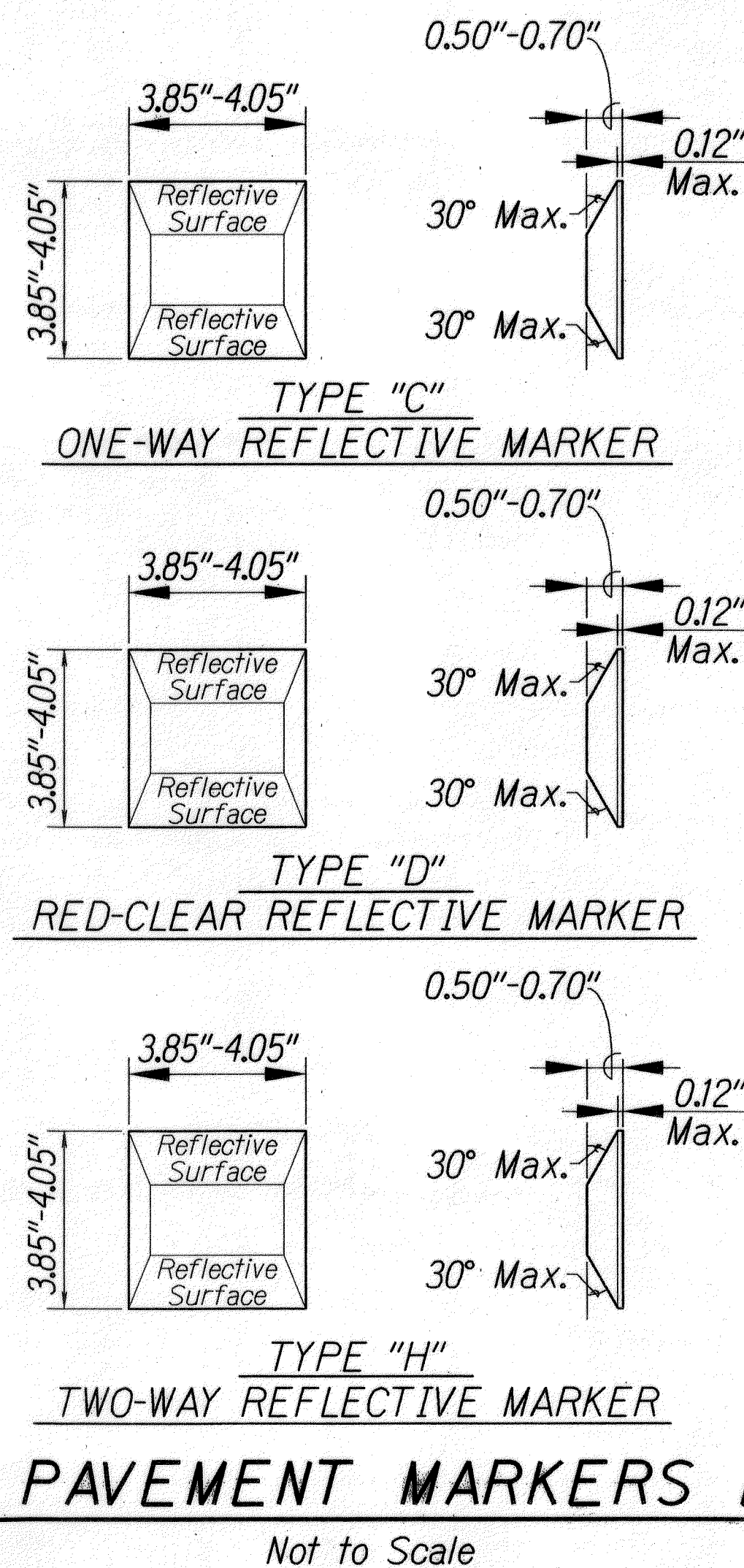
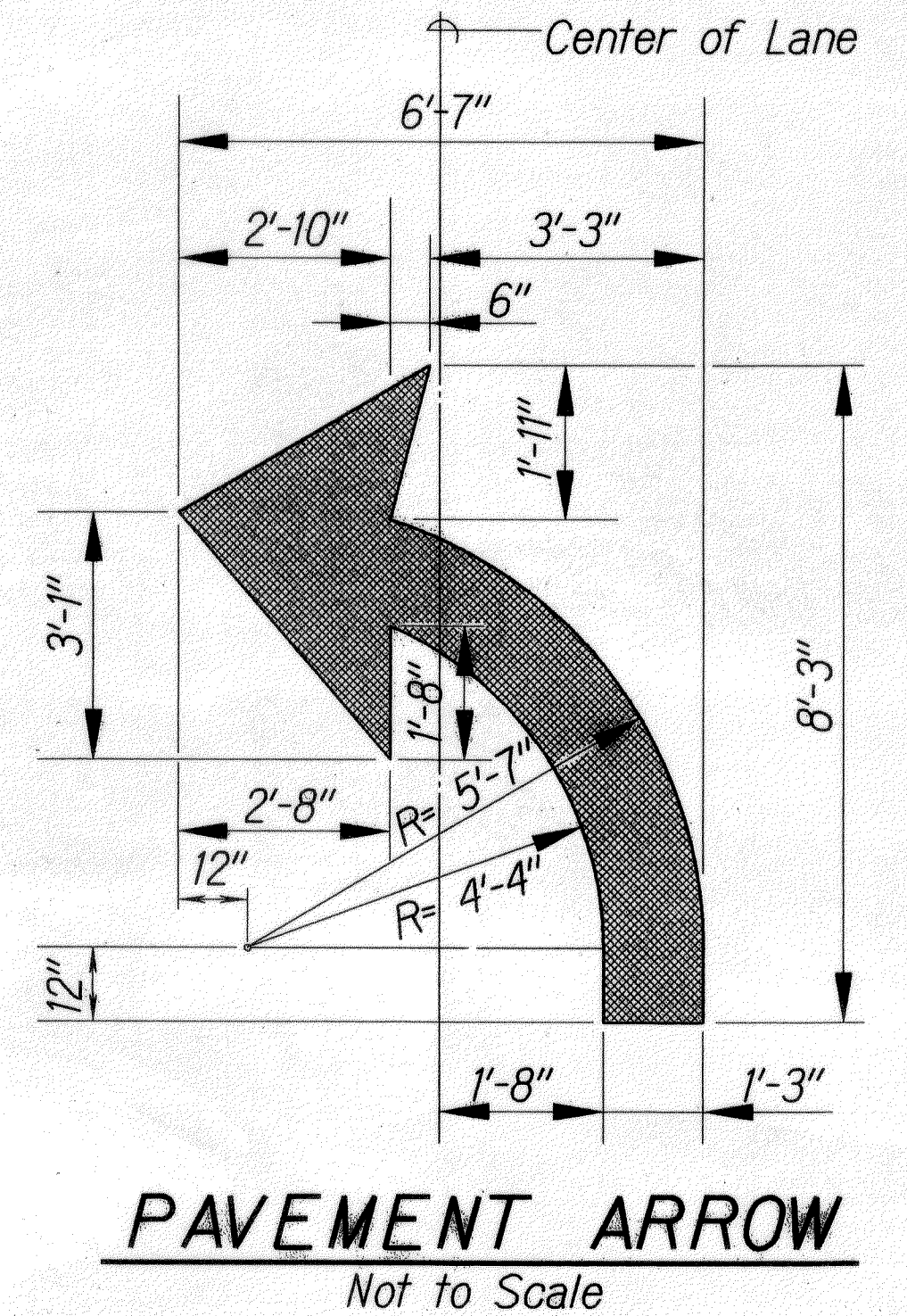
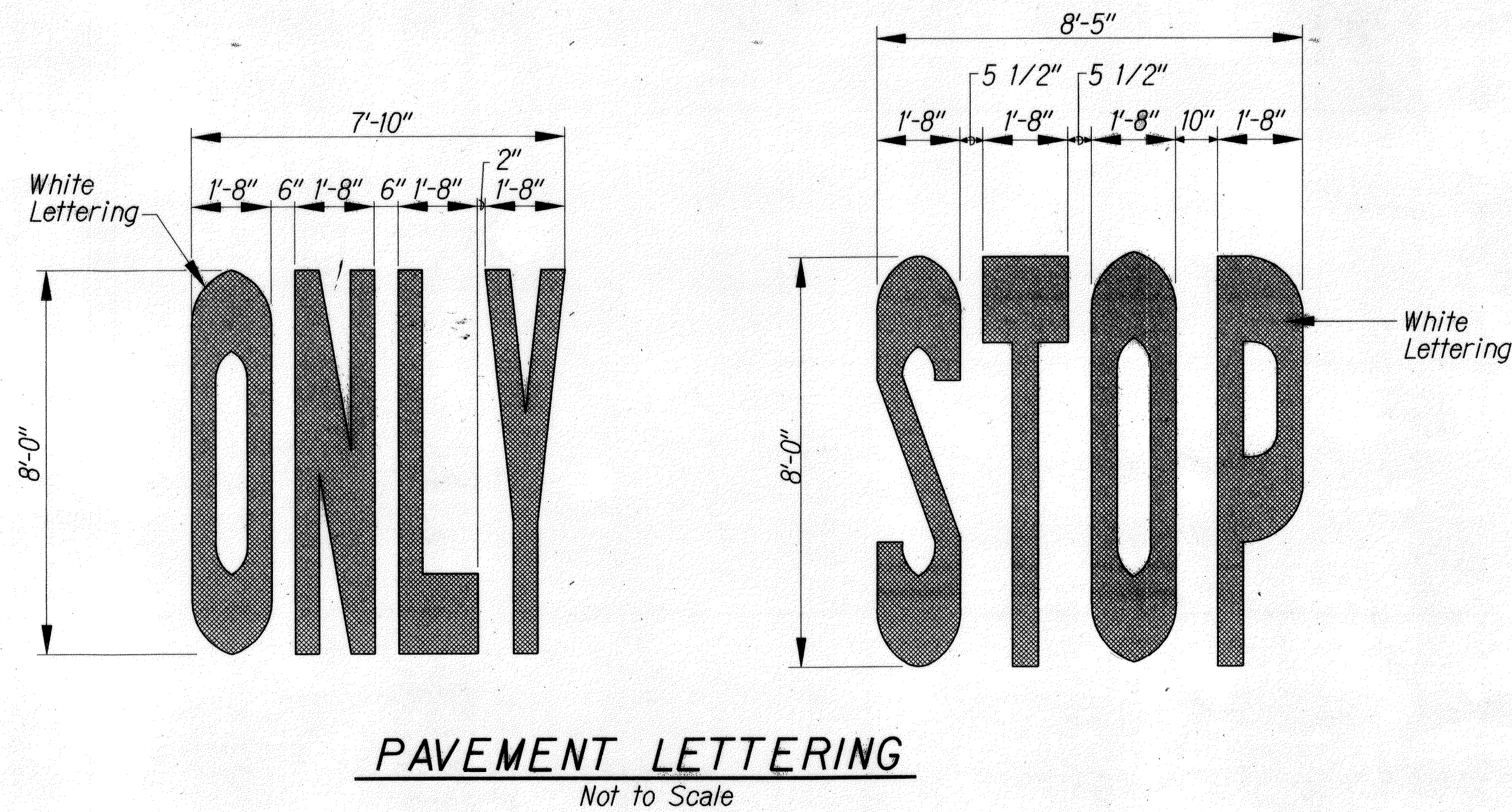
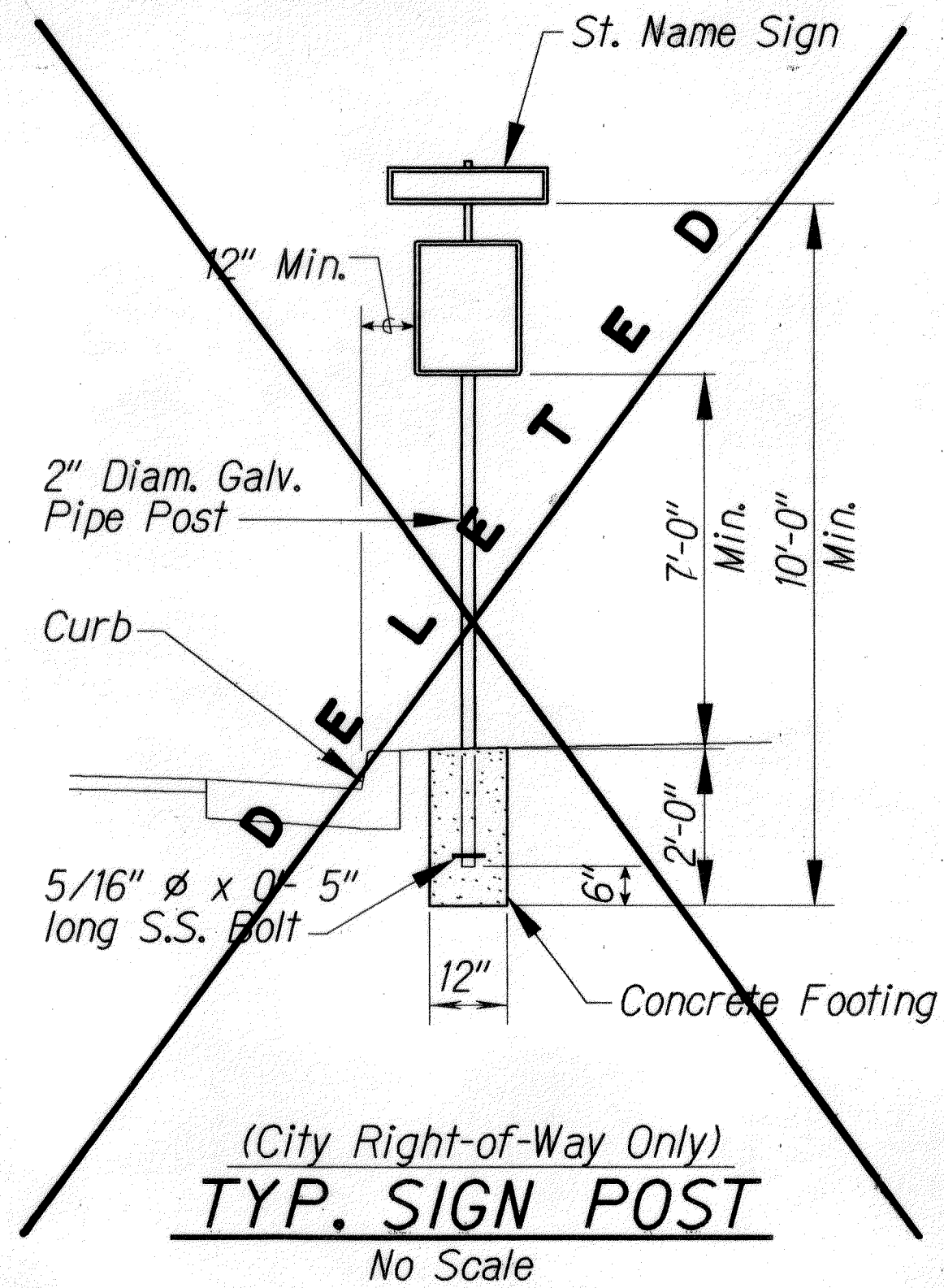
STATE OF HAWAII
DEPARTMENT OF TRANSPORTATION
HIGHWAYS DIVISION

SIGNING & STRIPING DETAILS

INTERSTATE ROUTE H-1
Kinohi Street Off-Ramp Improvements
Vicinity Of Queen's Medical Center
Federal-Aid Project No. TC-HI-(258)
Scale: As Shown Date: Dec. 2006

SHEET No. 1 OF 2 SHEETS

FED. ROAD DIST. NO.	STATE	FED. AID PROJ. NO.	FISCAL YEAR	SHEET NO.	TOTAL SHEETS
HAWAII	HAW.	-TC-HI-(258)	2006	39	89



REV.	DATE	REVISION	BY	TRD	HND	CEB	BND

STATE OF HAWAII
DEPARTMENT OF TRANSPORTATION
HIGHWAYS DIVISION

SIGNING & STRIPING DETAILS

INTERSTATE ROUTE H-1
Kinu Street Off-Ramp Improvements
Vicinity Of Queen's Medical Center
Federal Aid Project No. TC-HI-(258)
Scale: As Shown Date: Dec. 2006
SHEET No. 2 OF 2 SHEETS

CRAIG S. ARAKAKI
LICENSED PROFESSIONAL ENGINEER
No. 5510-C
HAWAII, U.S.A.
LICENSE EXP. DATE 04-30-08

Approved By: *[Signature]* **Stalen**
Chief, Traffic Review Branch, DPP
(For Work Within City ROW Only)
Date: _____

SURVEY PLOTTED BY	DATE
DRAWN BY	
DESIGNED BY	
QUANTITIES BY	
CHECKED BY	
ORIGINAL PLAN	
NOTE BOOK	