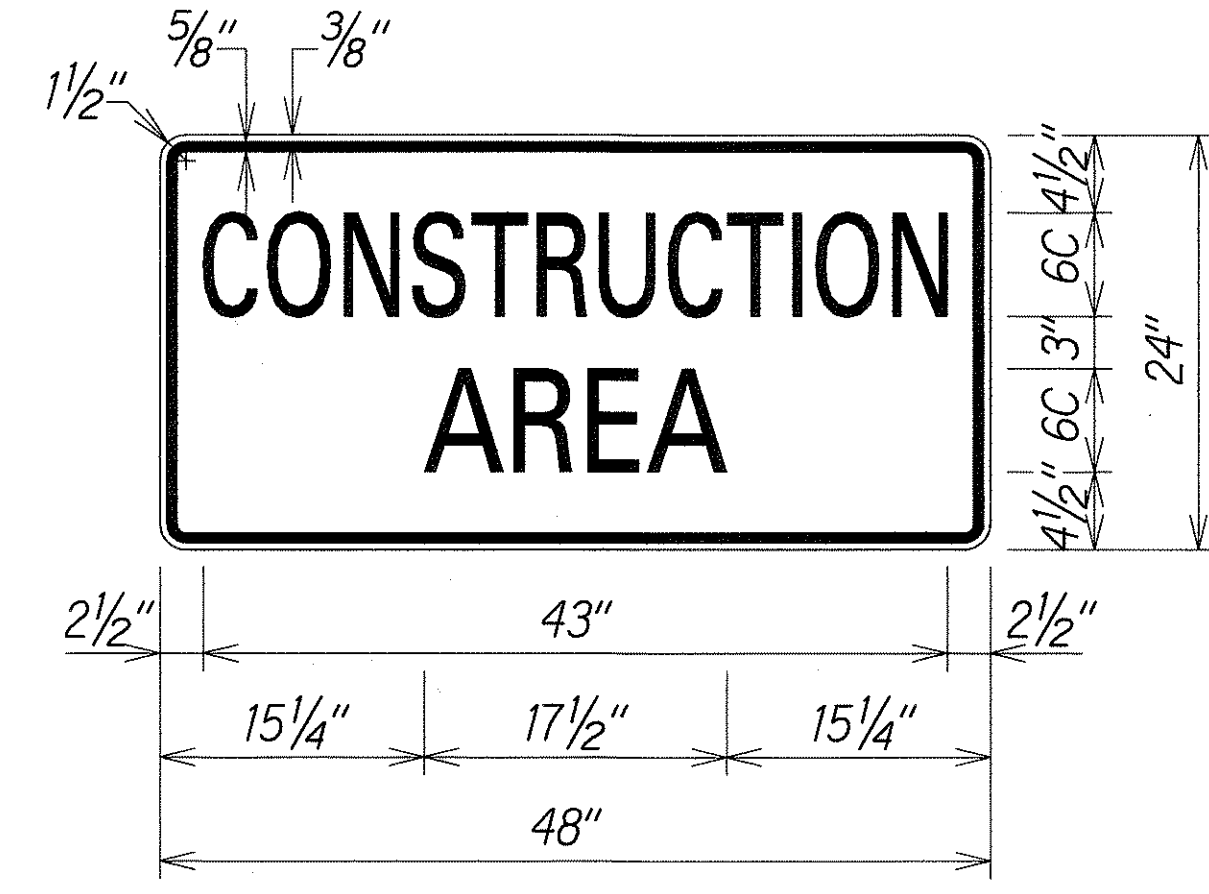


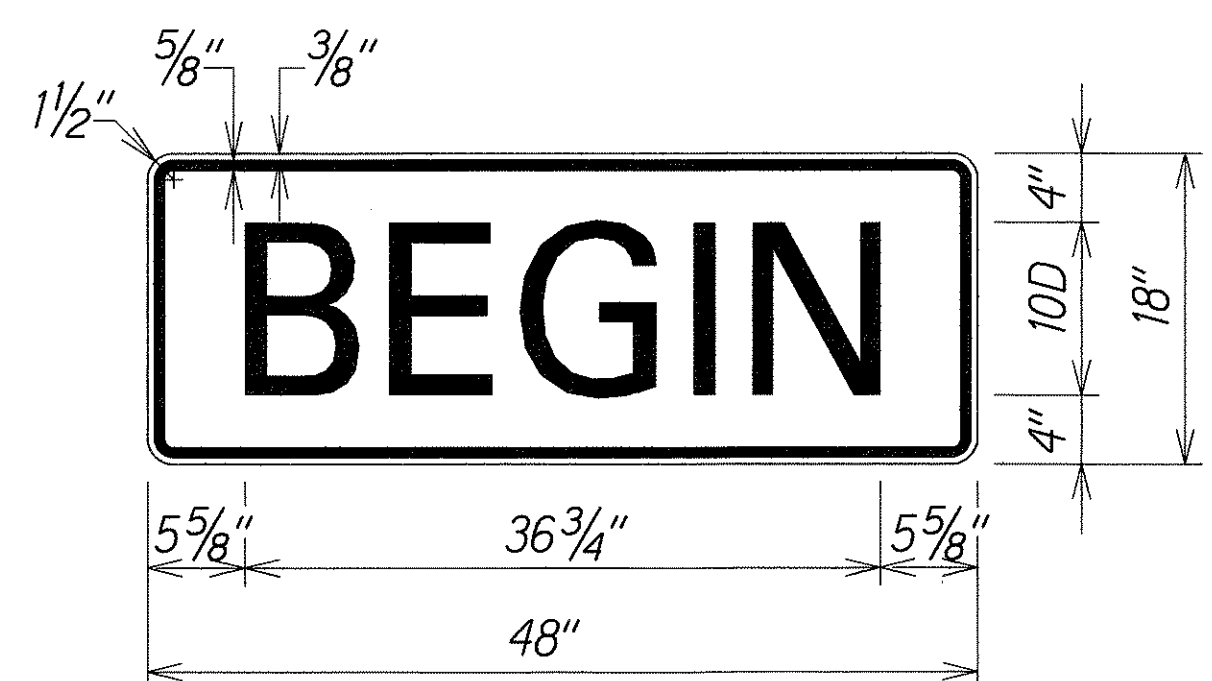
FED. ROAD DIST. NO.	STATE	FEDERAL AID PROJ. NO.	FISCAL YEAR	SHEET NO.	TOTAL SHEETS
HAWAII	HAW.	IM-HI-1(245)	2005	56	183

Work Zone Note:

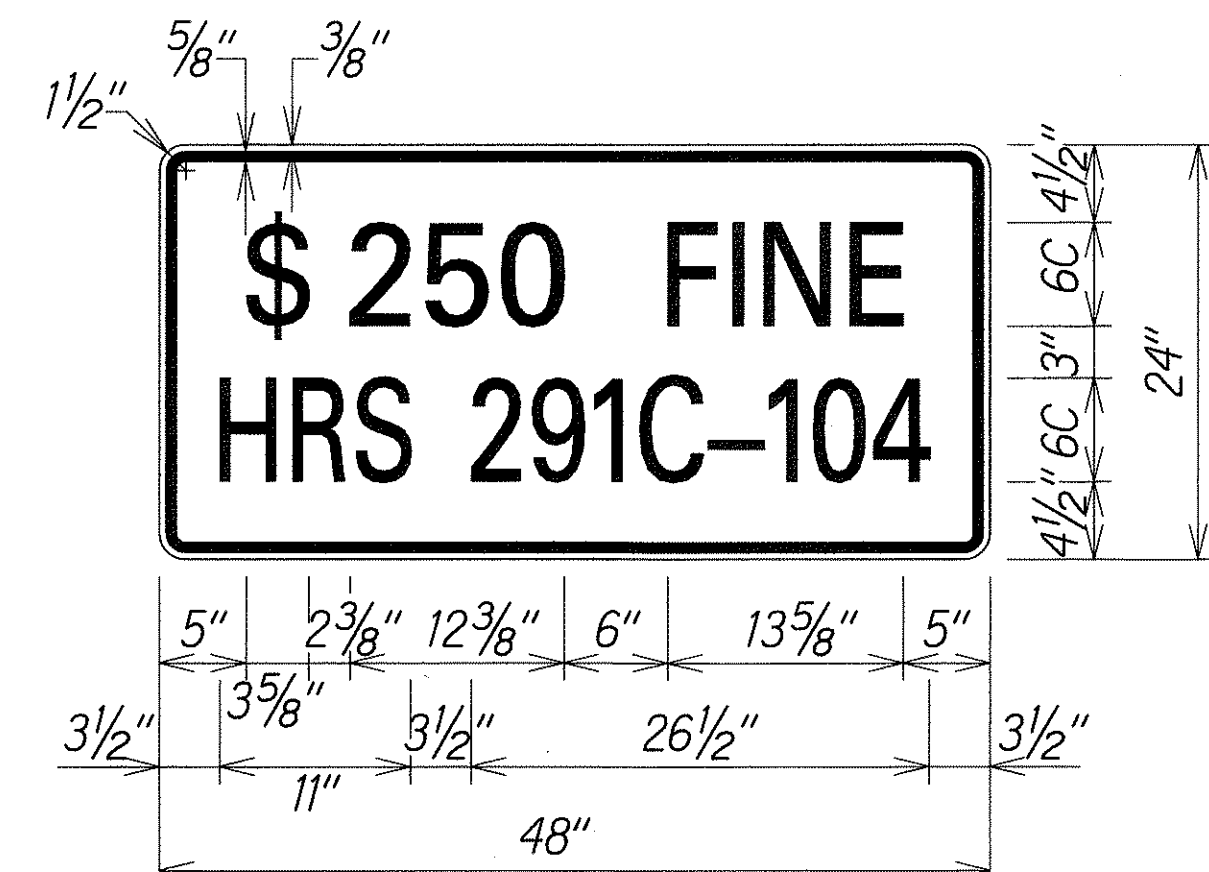
- All existing regulatory speed limit signs within the work zone/project limits shall be covered and work zone speed limit sign assemblies (R2-1(45)-A and R2-5b(45)-A with "CONSTRUCTION AREA" and "\$250 FINE HRS 291C-104" Supplemental Signs) shall be displayed during lane closure hours.
- Upon removal of the lane closure, all work zone speed limit signs shall be covered and existing speed limit signs within the work zone/project limits shall be restored.
- Construction signs shall be installed on both the approaching and trailing ends of each work zone.
- Each construction sign and work zone speed limit assembly shall have a minimum of two (2) Type II OM. Installation of each Type II OM shall be considered incidental to Item No. 645.1000-Traffic Control.
- All work zone speed sign assembly shall be mounted on three (3) 4.00 lbs./ft. galvanized flanged channel sign posts with a sign clearance height of five (5) feet. Sign stiffeners as specified by Standard Plan Sheet TE-02 shall be installed as needed or as directed by the Engineer.
- The daily covering and uncovering of existing regulatory speed limit signs along with the installation, maintenance, removal and daily covering and uncovering of work zone speed limit sign assemblies shall be considered incidental to Item No. 645.1000-Traffic Control.
- All work zone signs shall have the project number and Contractor's name on the back of the sign in 1/2" high letters, black paint.
- All traffic cones, delineators, and barrels, etc. shall have retroreflective bands.
- Provide 2 off duty police officers and vehicles at every on-ramp and off-ramp. Payment shall be incidental to Item No. 645.1000-Traffic Control and will not be paid under additional police officers (F.A.).
- All cones shall be retroreflective as required by MUTCD and be a min. of 28" high & weigh a minimum 10 pounds.



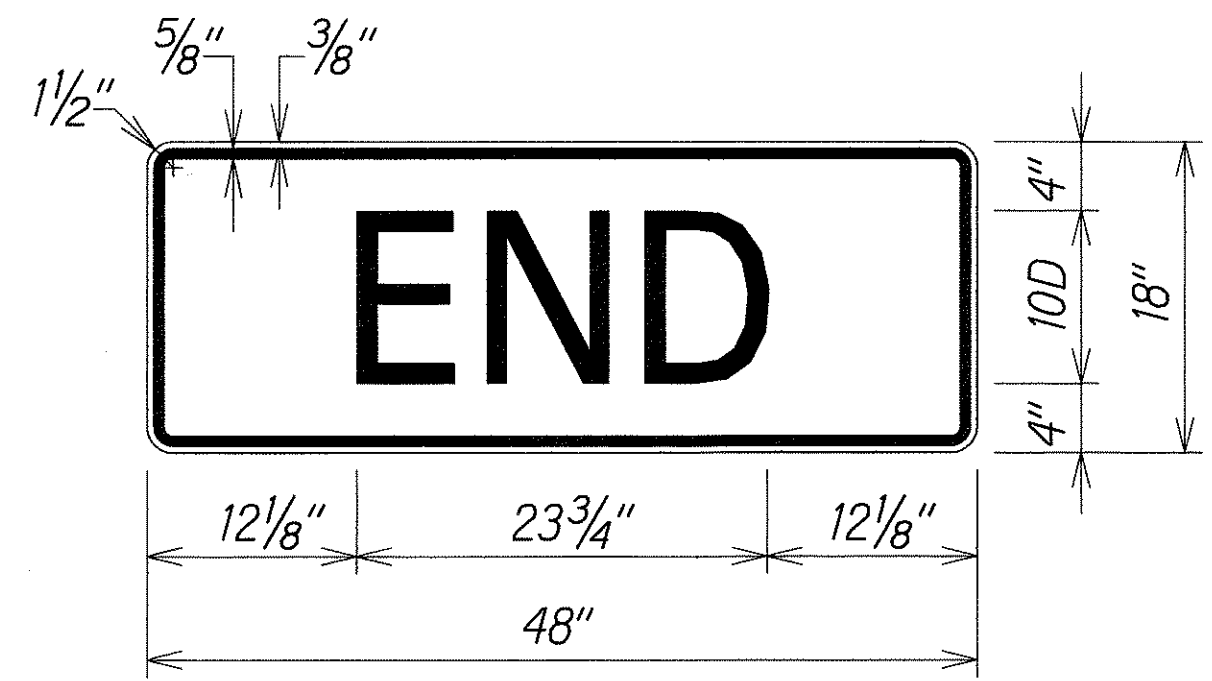
LEGEND: BLACK BACKGROUND: ORANGE



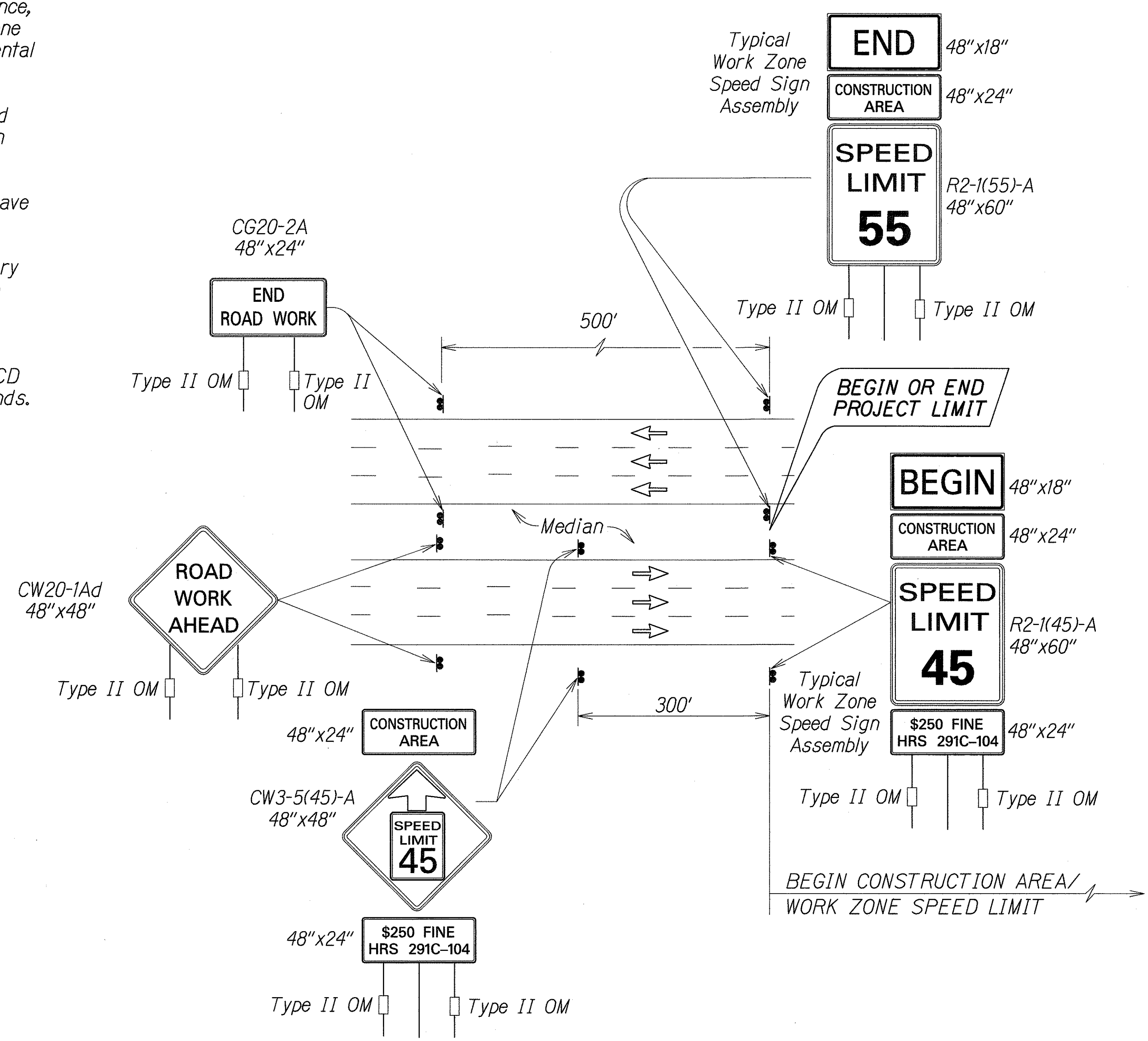
LEGEND: BLACK BACKGROUND: ORANGE



LEGEND: BLACK BACKGROUND: WHITE



LEGEND: BLACK BACKGROUND: ORANGE



TYPICAL DETAIL FOR CONSTRUCTION SIGNS ON FREEWAY

SURVEY PLOTTED BY: _____ DATE: _____
 DRAWN BY: _____
 CHECKED BY: _____
 ORIGINAL PLAN: _____
 NOTE BOOK: _____
 NO. _____

1/4" COE HI REHAB/TCP/TCP-NOTES.DGN

THIS WORK WAS PREPARED BY ME OR UNDER MY SUPERVISION.
Randall M. Uragami
 1/24/06

STATE OF HAWAII
 DEPARTMENT OF TRANSPORTATION
 HIGHWAYS DIVISION
FREEWAY WORK ZONE SIGNING
PLAN, NOTES & DETAILS
 INTERSTATE ROUTE HI REHABILITATION
 EASTBOUND LANES
 WAI'AU INTERCHANGE TO KAIMAKANI STREET
 Scale: None Date: Jan. 24, 2006