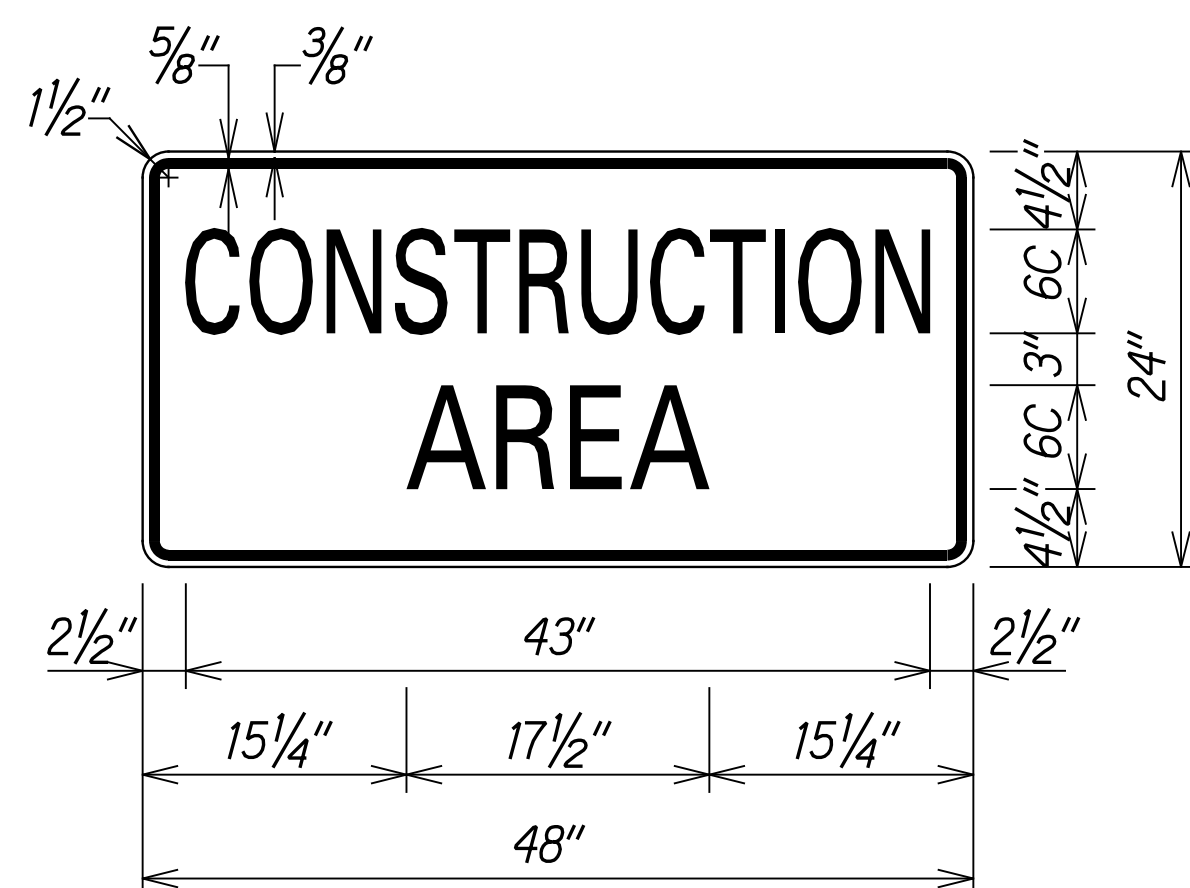


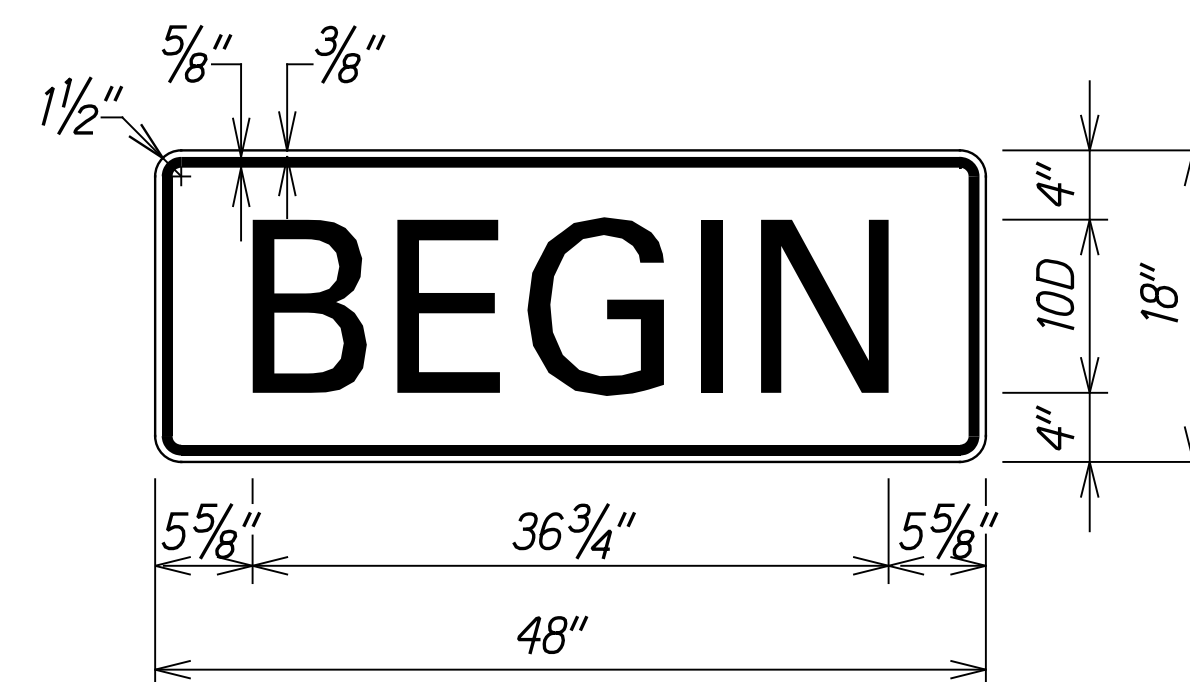
FED. ROAD DIST. NO.	STATE	FEDERAL AID PROJ. NO.	FISCAL YEAR	SHEET NO.	TOTAL SHEETS
HAWAII	HAW.	NH-HI-1(276)	2020	38	214

**Work Zone Notes:**

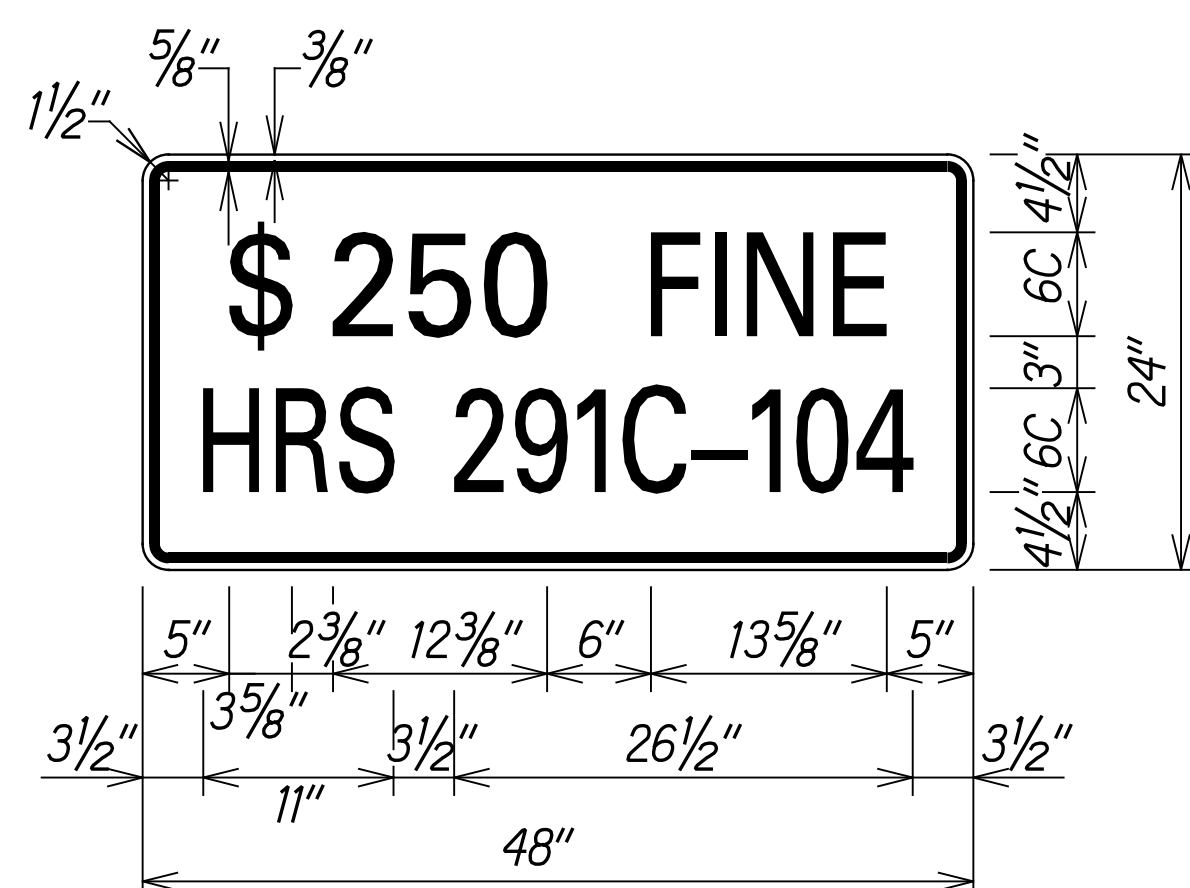
- All existing regulatory speed limit signs within the work zone/project limits shall be covered and work zone speed limit sign assemblies (R2-1(45)-A and R2-5b(45)-A with "CONSTRUCTION AREA" and "\$250 FINE HRS 291C-104" Supplemental Signs) shall be displayed during lane closure hours.
- Upon removal of the lane closure, all work zone speed limit signs shall be covered and existing speed limit signs within the work zone/project limits shall be restored.
- Construction signs shall be installed on both the approaching and trailing ends of each work zone.
- Each construction sign and work zone speed limit assembly shall have a minimum of two (2) Type II OM. Installation of each Type II OM shall be paid under Pay Item No. 645.1000-Traffic Control. If not possible to install signs, alternate sign mounting shall be approved by the Engineer and paid under Pay Item No. 645.1000-Traffic Control.
- All work zone speed sign assembly shall be mounted on three (3) 4.00 lbs./ft. galvanized flanged channel sign posts with a sign clearance height of five (5) feet. Sign stiffeners as specified by Standard Plan Sheet TE-02A shall be installed as required or as ordered by the Engineer. If not possible to install signs, alternate sign mounting shall be approved by the Engineer and paid under Pay Item No. 645.1000-Traffic Control.
- The daily covering and uncovering of existing regulatory speed limit signs along with the installation; maintenance, removal and daily covering and uncovering of work zone speed limit sign assemblies shall be paid under Pay Item No. 645.1000-Traffic Control.
- All work zone signs shall have the project number and Contractor's name on the back of the sign in 1/2" high letters, black paint.
- All traffic cones, delineators, and barrels, etc. shall have retroreflective bands.
- Provide 2 off-duty police officers and vehicles at every on-ramp and off-ramp. Payment shall be included in Pay Item No. 645.1000-Traffic Control.
- All cones shall be retroreflective as required by MUTCD and be a min. of 28" high & weigh a minimum 10 pounds.



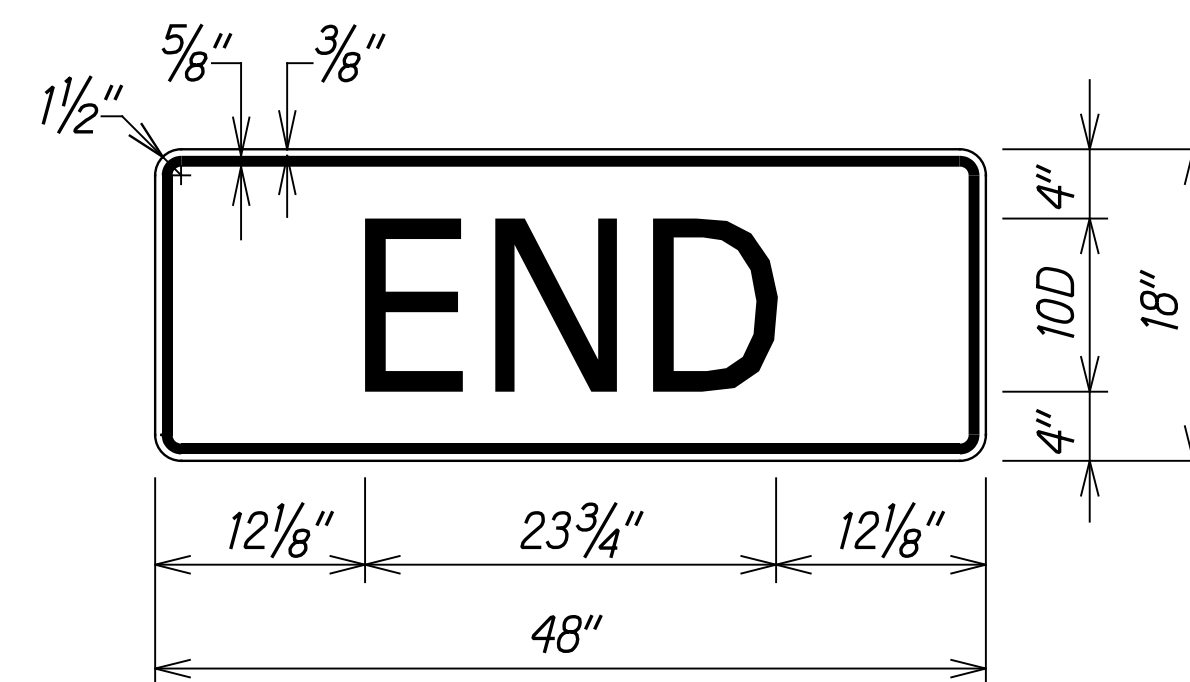
LEGEND: BLACK BACKGROUND: ORANGE



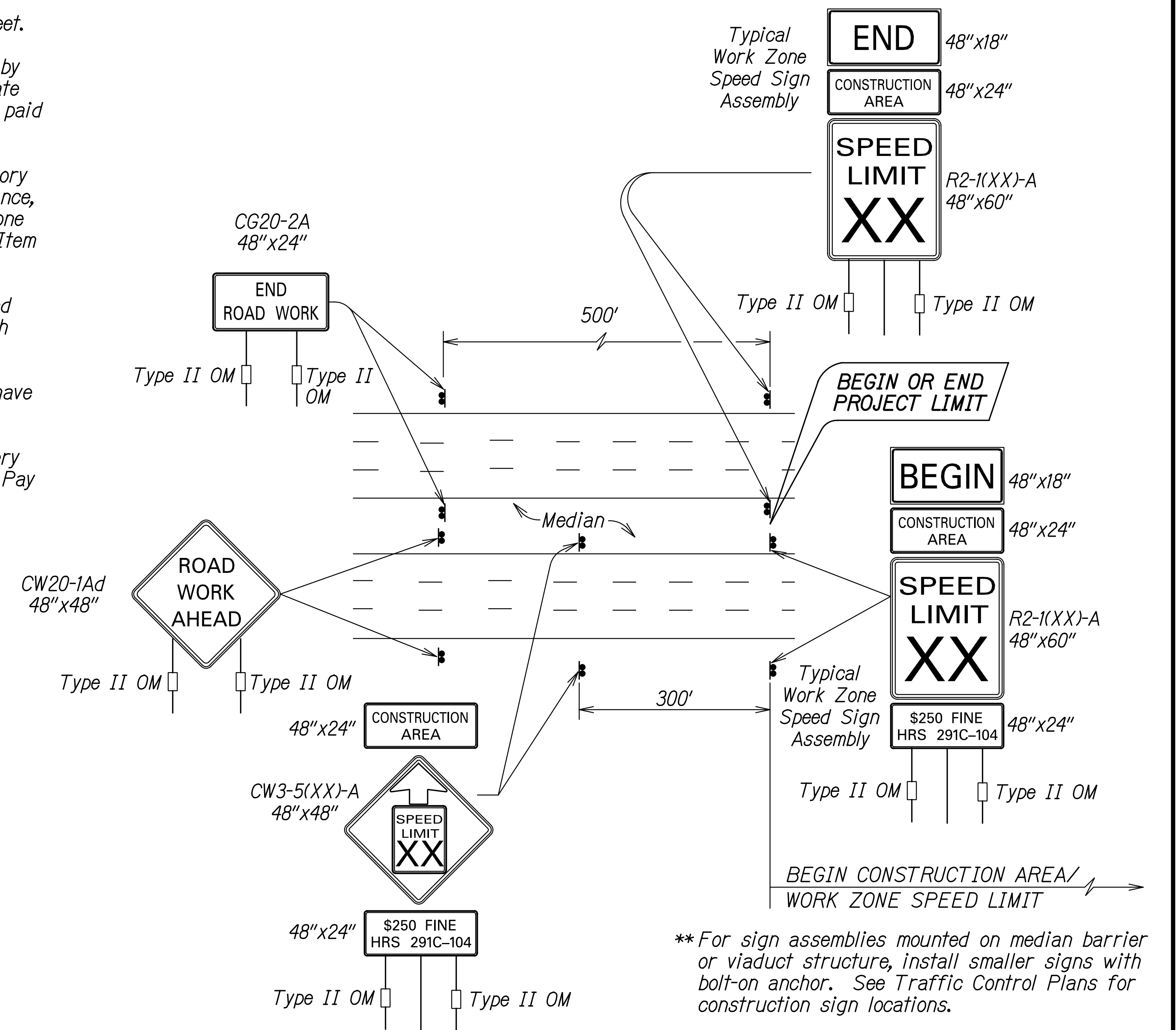
LEGEND: BLACK BACKGROUND: ORANGE



LEGEND: BLACK BACKGROUND: WHITE



LEGEND: BLACK BACKGROUND: ORANGE



**TYPICAL DETAIL FOR CONSTRUCTION SIGNS\*\*  
ON FREEWAY**

ORIGINAL PLAN	DATE
SURVEY PLOTTED BY	
DRAWN BY	
TRACED BY	
DESIGNED BY	
QUANTITIES BY	
CHECKED BY	

THIS WORK WAS PREPARED BY ME OR UNDER MY SUPERVISION.

*Randall M. Urasaki*  
SIGNATURE

04/30/22  
EXPIRATION DATE OF THE LICENSE

STATE OF HAWAII  
DEPARTMENT OF TRANSPORTATION  
HIGHWAYS DIVISION

**FREEWAY WORK ZONE SIGNING  
PLAN, NOTES & DETAILS**

INTERSTATE ROUTE H-1 AIRPORT VIADUCT IMPROVEMENTS  
VICINITY OF VALKENBURGH ST. TO MIDDLE ST., PH. 2  
FEDERAL-AID PROJECT NO. NH-HI-1(276)

Scale: None Date: Aug. 2020