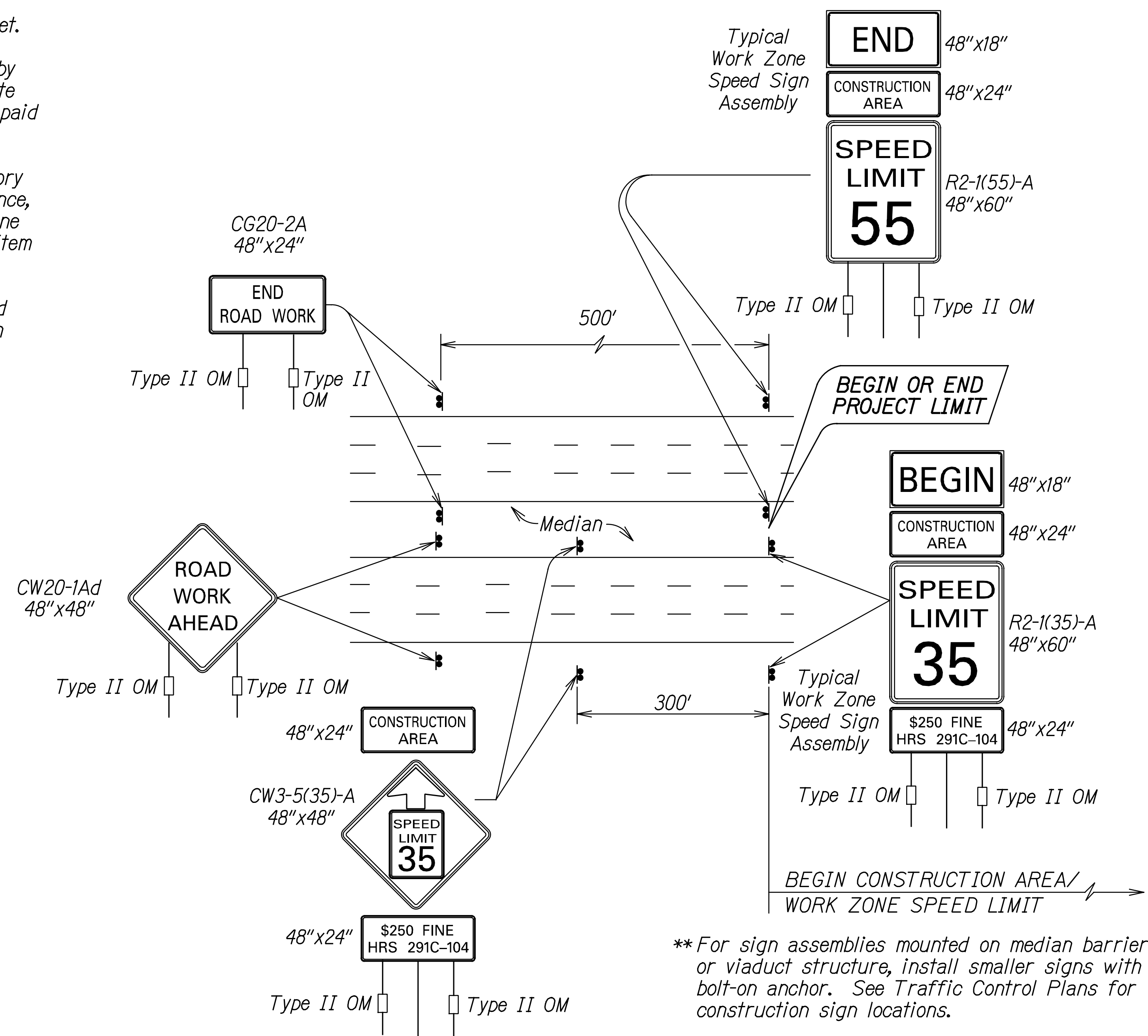
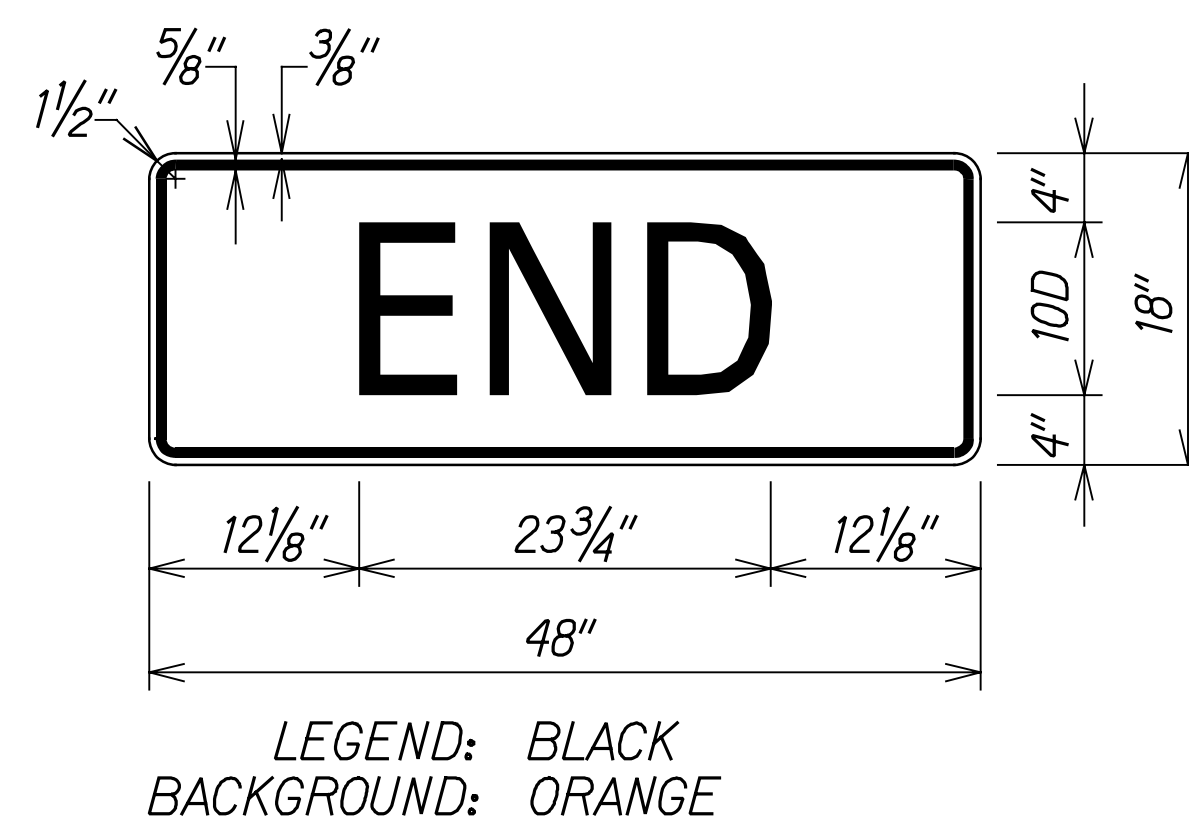
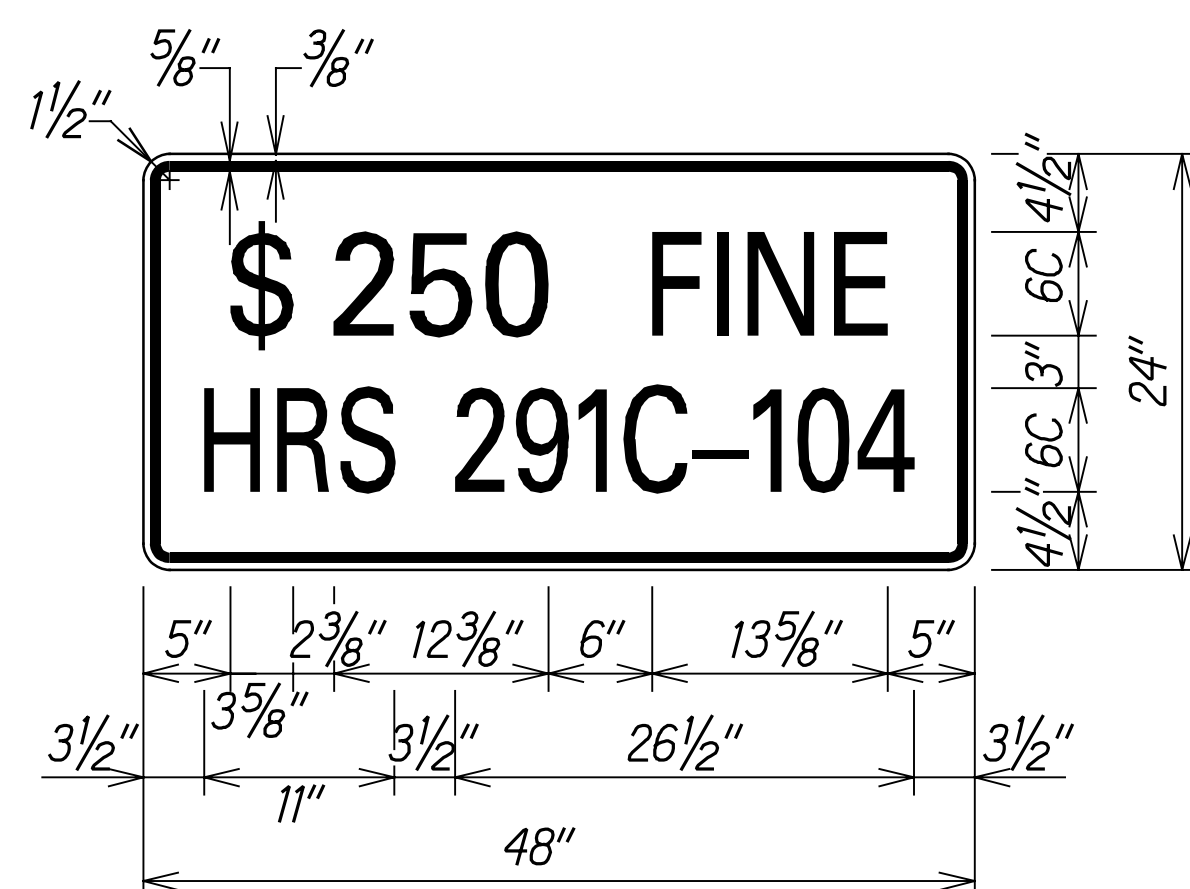
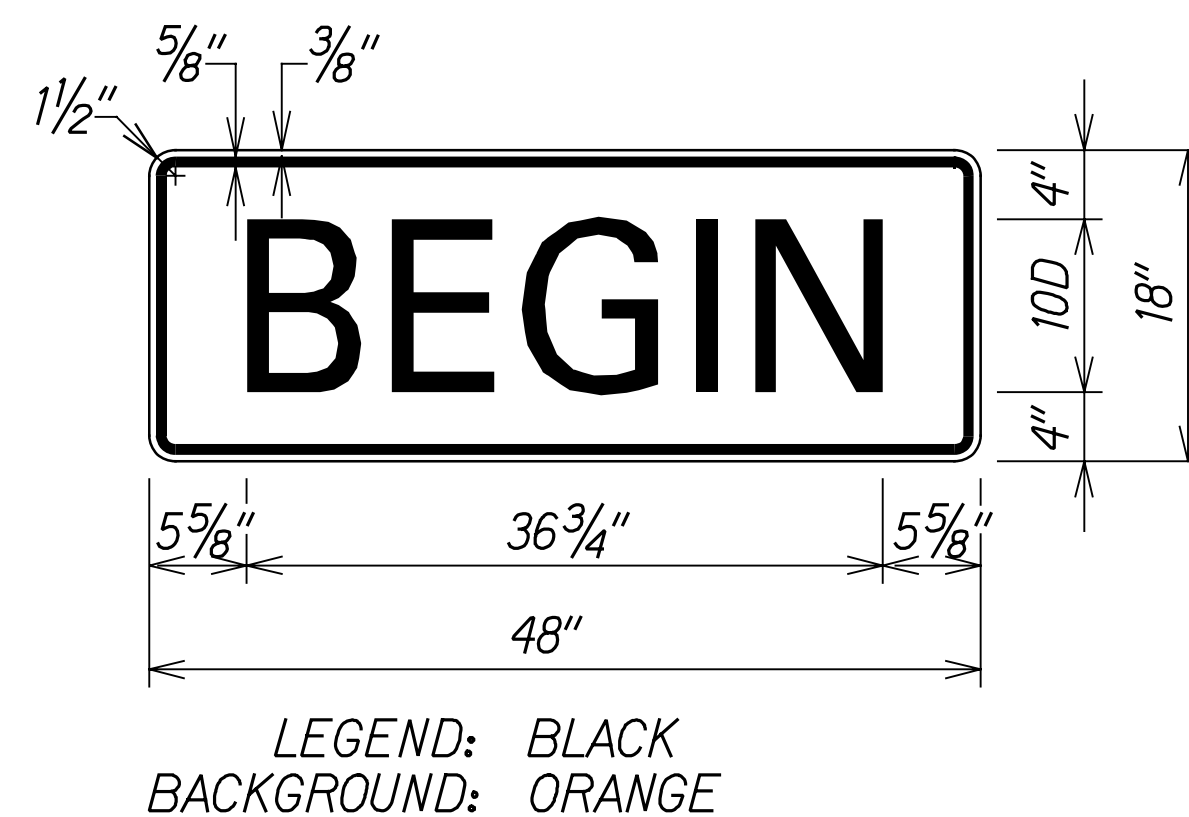
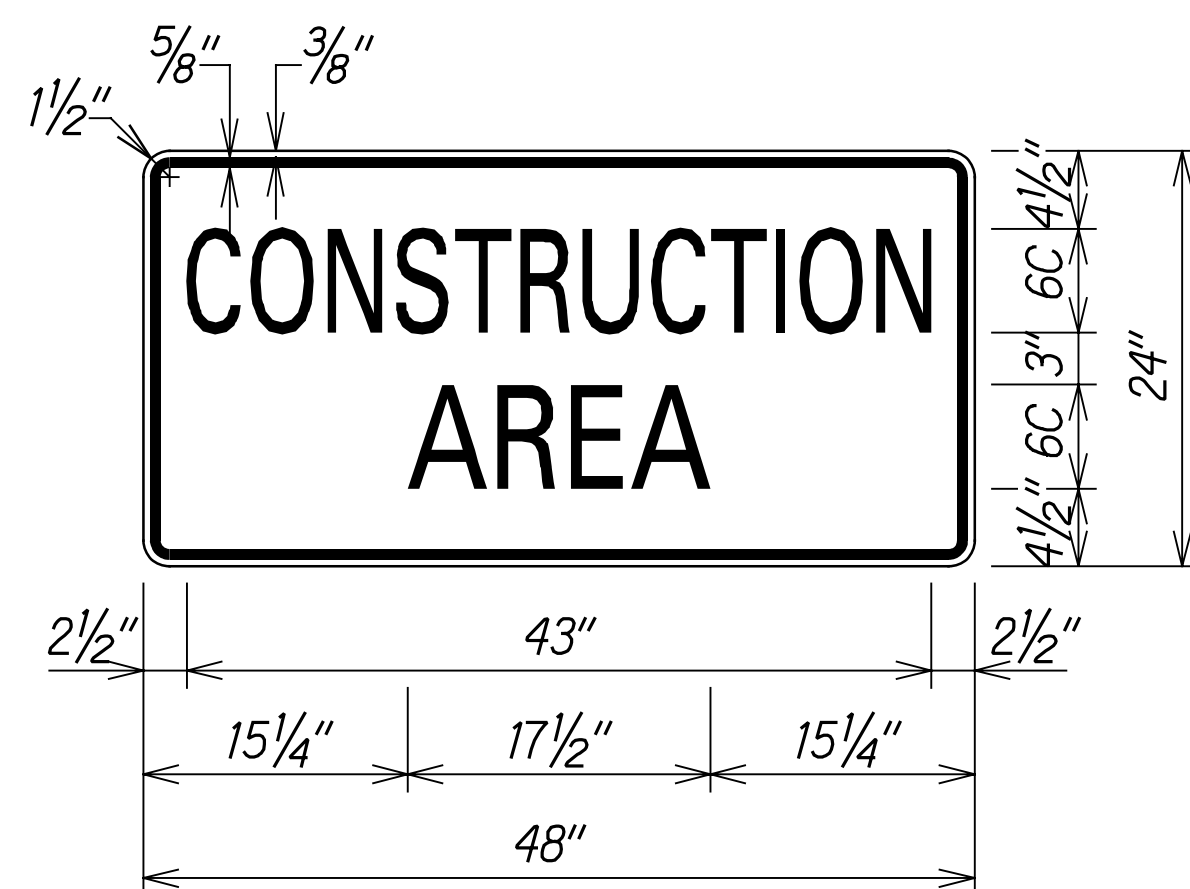


| FED. ROAD DIST. NO. | STATE | FEDERAL AID PROJ. NO. | FISCAL YEAR | SHEET NO. | TOTAL SHEETS |
|---------------------|-------|-----------------------|-------------|-----------|--------------|
| HAWAII | HAW. | NH-H1-1(273) | 2022 | 45 | 245 |

Work Zone Notes:

- All existing regulatory speed limit signs within the work zone/project limits shall be covered and work zone speed limit sign assemblies (R2-1(35)-A and R2-1(55)-A with "CONSTRUCTION AREA" and "\$250 FINE HRS 291C-104" Supplemental Signs) shall be displayed during lane closure hours.
- Upon removal of the lane closure, all work zone speed limit signs shall be covered and existing speed limit signs within the work zone/project limits shall be restored.
- Construction signs shall be installed on both the approaching and trailing ends of each work zone.
- Each construction sign and work zone speed limit assembly shall have a minimum of two (2) Type II OM. Installation of each Type II OM shall be paid under Pay Item No. 645.1000-Traffic Control. If not possible to install signs, alternate sign mounting shall be approved by the Engineer and paid under Pay Item No. 645.1000-Traffic Control.
- All work zone speed sign assembly shall be mounted on three (3) 4.00 lbs./ft. galvanized flanged channel sign posts with a sign clearance height of five (5) feet. Sign stiffeners as specified by Standard Plan Sheet TE-02A shall be installed as required or as ordered by the Engineer. If not possible to install signs, alternate sign mounting shall be approved by the Engineer and paid under Pay Item No. 645.1000-Traffic Control.
- The daily covering and uncovering of existing regulatory speed limit signs along with the installation; maintenance, removal and daily covering and uncovering of work zone speed limit sign assemblies shall be paid under Pay Item No. 645.1000-Traffic Control.
- All work zone signs shall have the project number and Contractor's name on the back of the sign in 1/2" high letters, black paint.



TYPICAL DETAIL FOR CONSTRUCTION SIGNS ON FREEWAY**

**For sign assemblies mounted on median barrier or viaduct structure, install smaller signs with bolt-on anchor. See Traffic Control Plans for construction sign locations.

| | |
|-------------------|-------|
| DATE | _____ |
| SURVEY PLOTTED BY | _____ |
| DESIGNED BY | _____ |
| TRACED BY | _____ |
| NOTE BOOK | _____ |
| CHECKED BY | _____ |
| NO. | _____ |

| | |
|--|-----------------------------------------------------------------------------------------------------------------------------------------------|
| | STATE OF HAWAII DEPARTMENT OF TRANSPORTATION HIGHWAYS DIVISION |
| | FREWAY WORK ZONE SIGNING PLAN, NOTES & DETAILS |
| | INTERSTATE ROUTE H-1 AIRPORT VIADUCT IMPROVEMENTS VICINITY OF VALKENBURGH ST. TO MIDDLE ST., PH. 3 FEDERAL-AID PROJECT NO. NH-H1-1(273) |
| | Scale: None Date: Sept. 2022 |

THIS WORK WAS PREPARED BY ME OR UNDER MY SUPERVISION.
Signature: *Randall M. Urasaki* 04/30/24
EXPIRATION DATE OF THE LICENSE