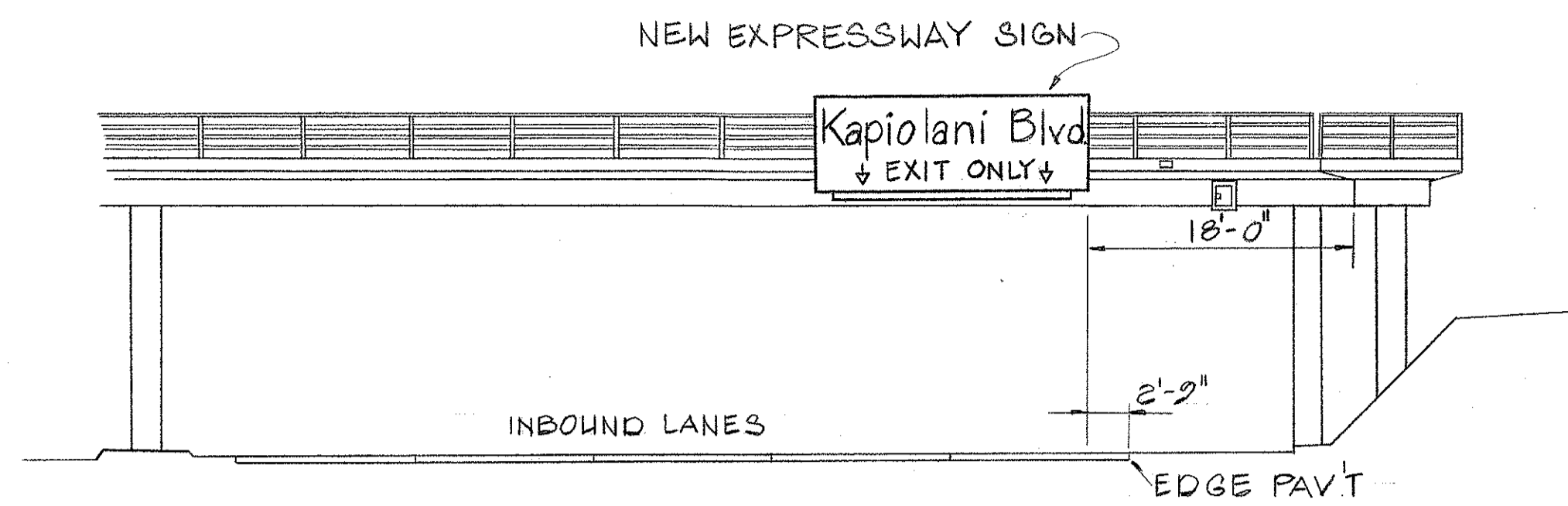
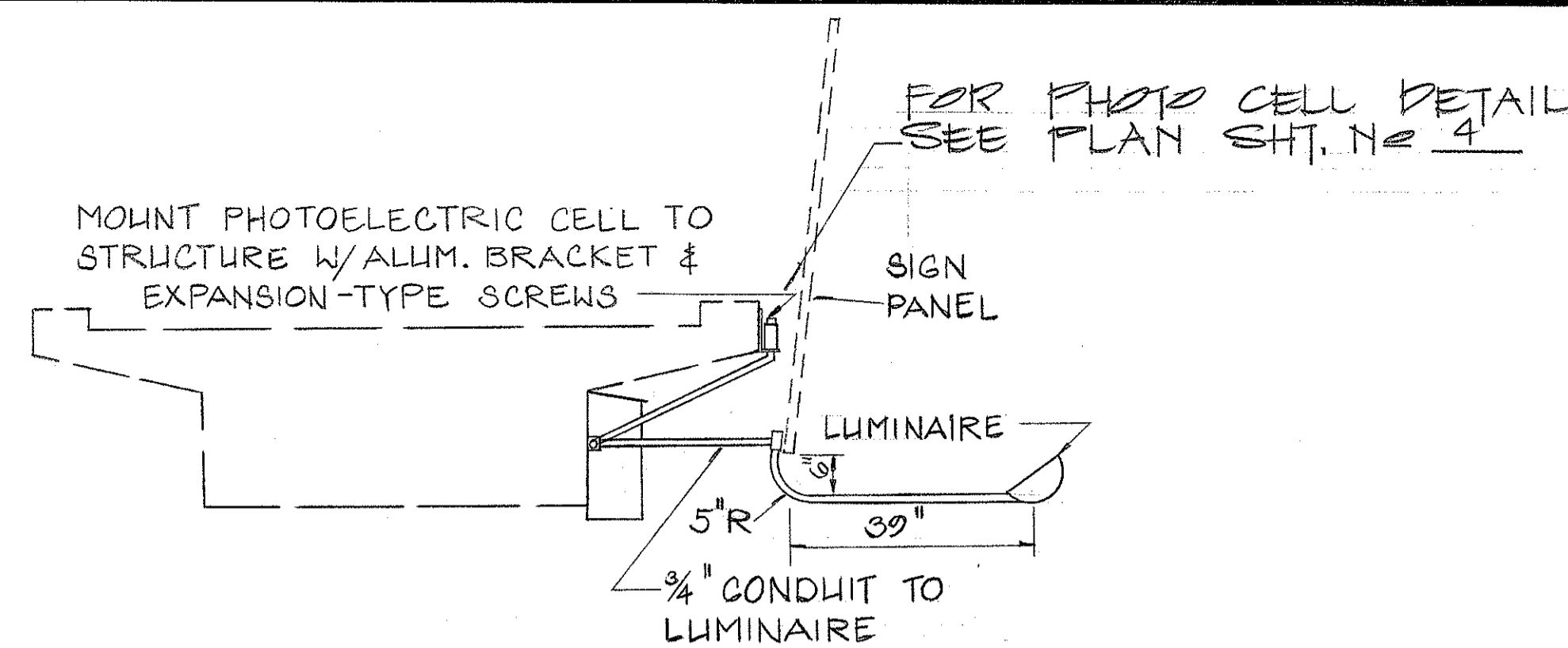


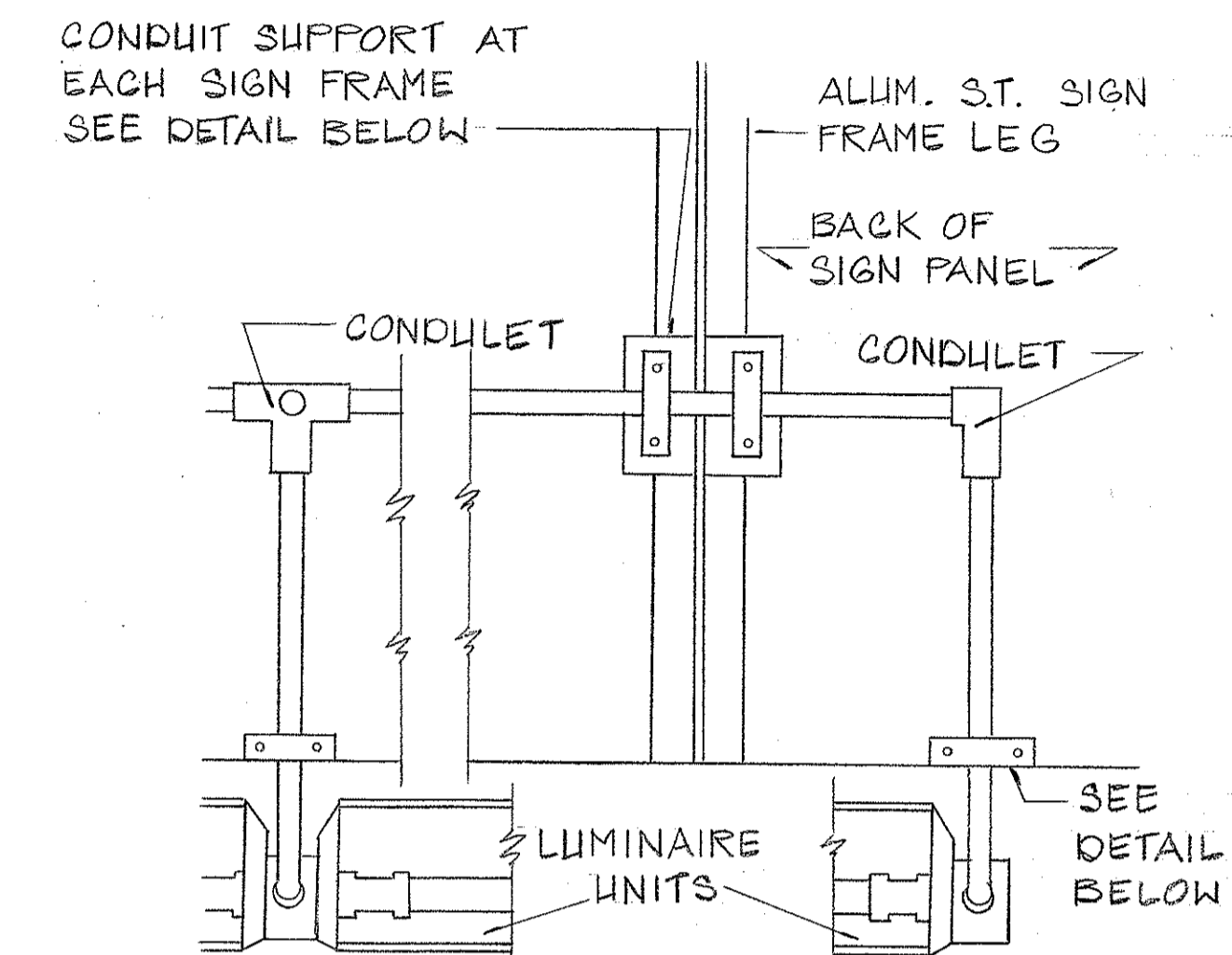
FED. ROAD DIST. NO.	STATE	PROJ. NO.	FISCAL YEAR	SHEET NO.	TOTAL SHEETS
HAWAII	HAW.	HI-K-05-70	1970	2	10



ELEVATION VIEW  
STRUCTURE N°5 - PEDESTRIAN OVERPASS  
AT FOURTH AVENUE

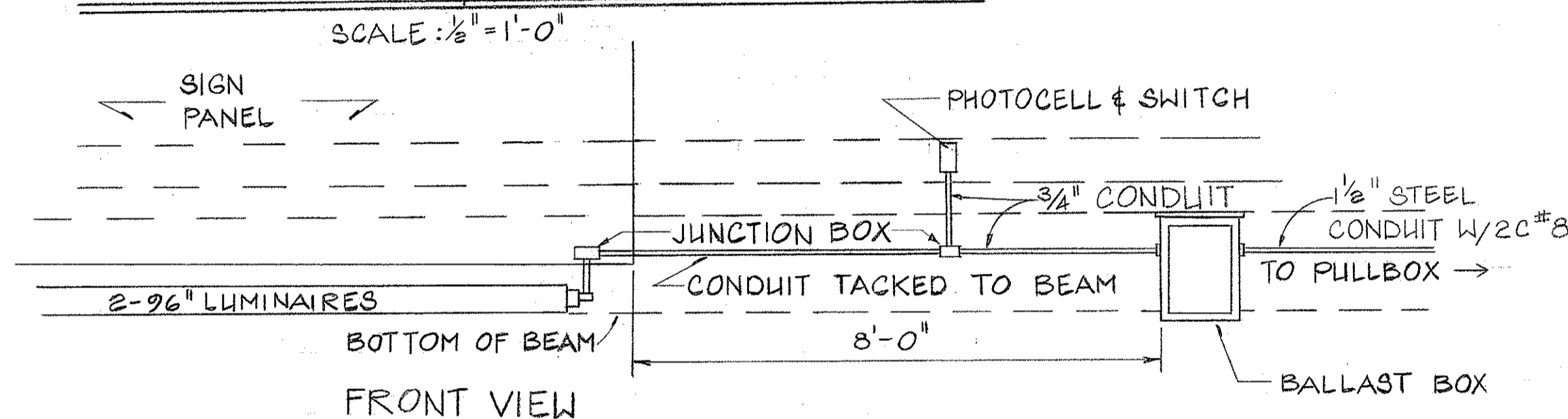


SIDE VIEW



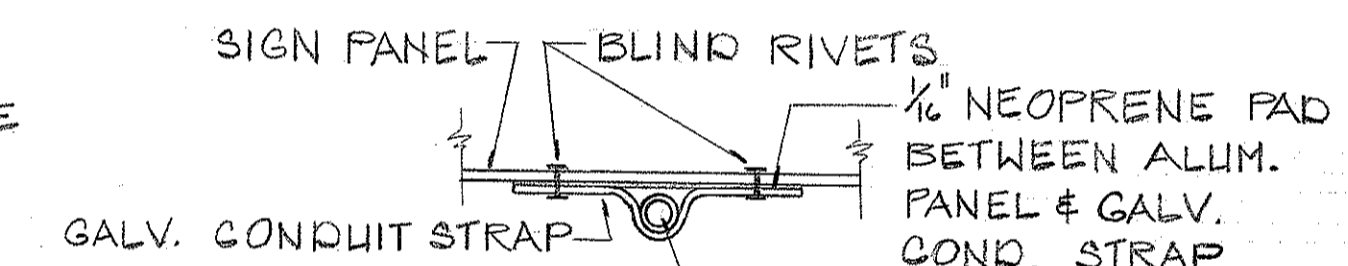
TYPICAL DETAILS  
LUMINAIRE CONDUIT SUPPORTS  
NOT TO SCALE

BALLAST BOX & LUMINAIRE LOCATION

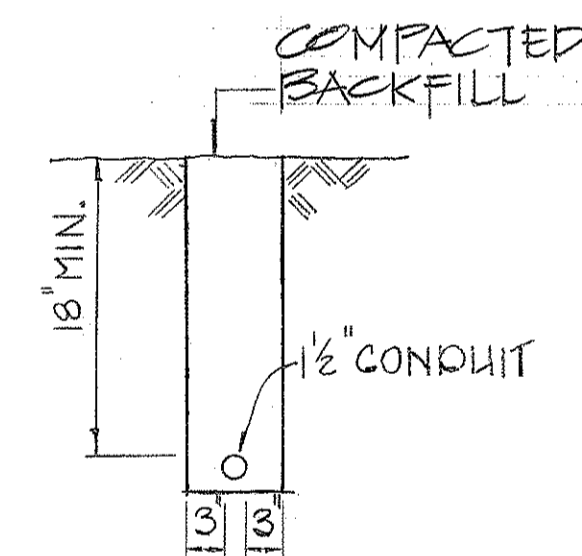


FRONT VIEW

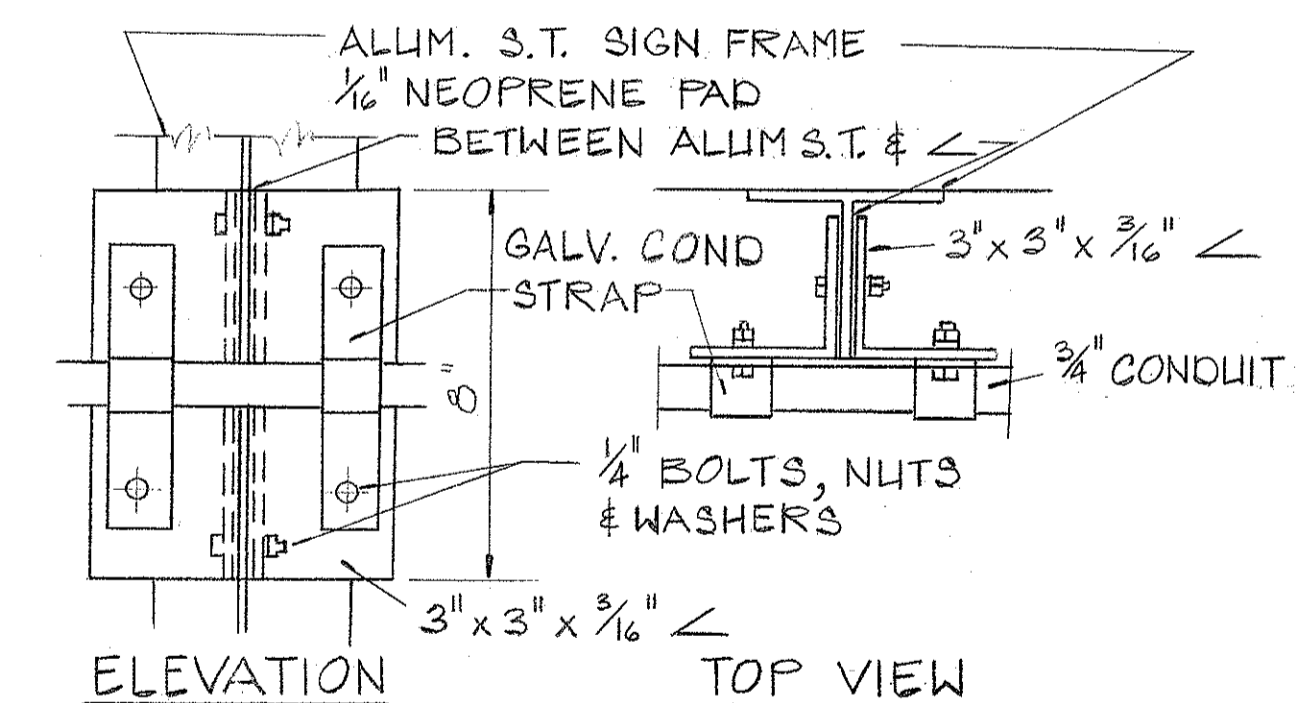
NOTE:  
BOTTOM OF LUMINAIRE NOT TO BE LOWER THAN BOTTOM OF BEAM TO MAINTAIN CLEARANCE



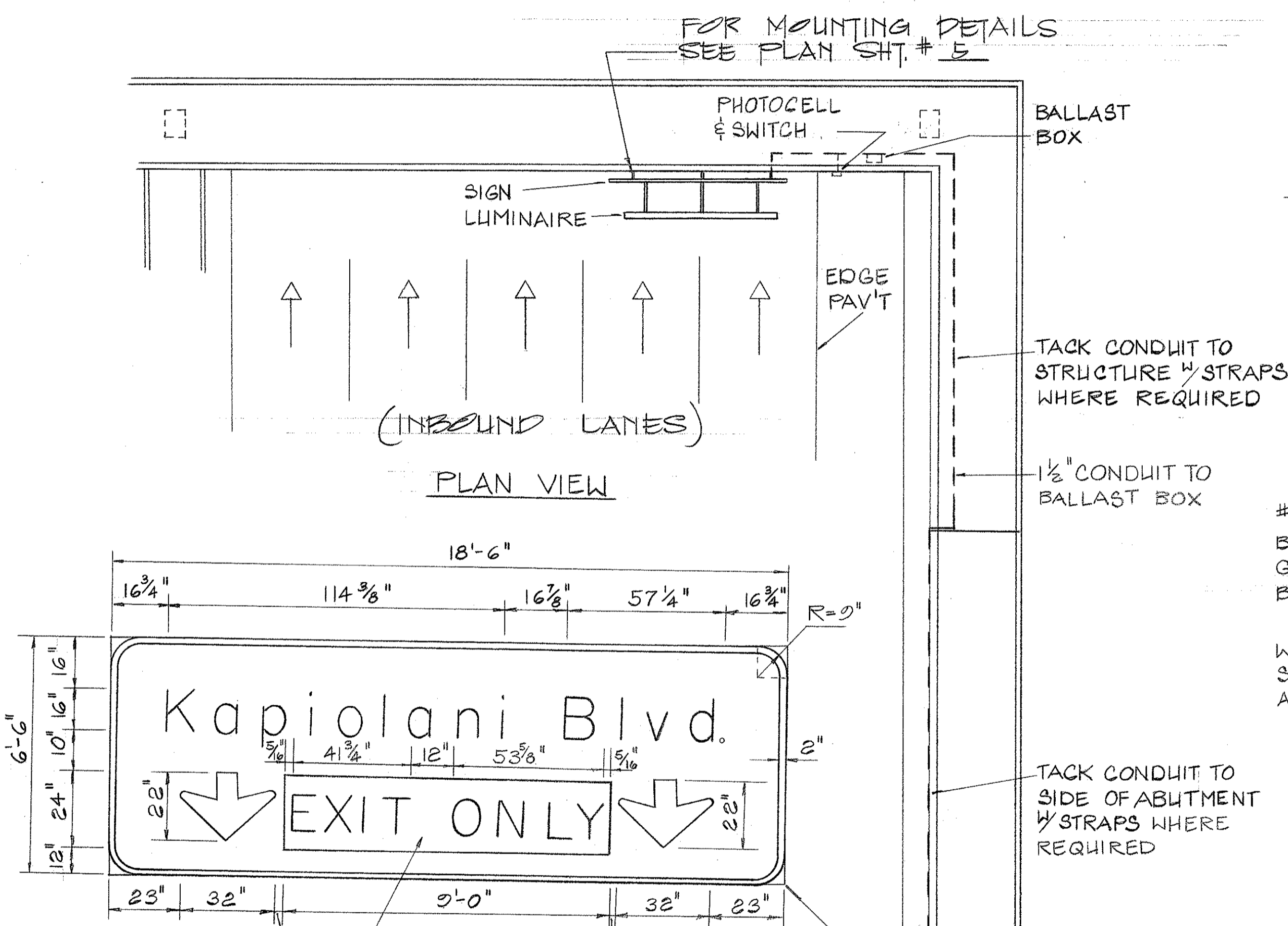
CONDUIT STRAP DETAIL  
NOT TO SCALE



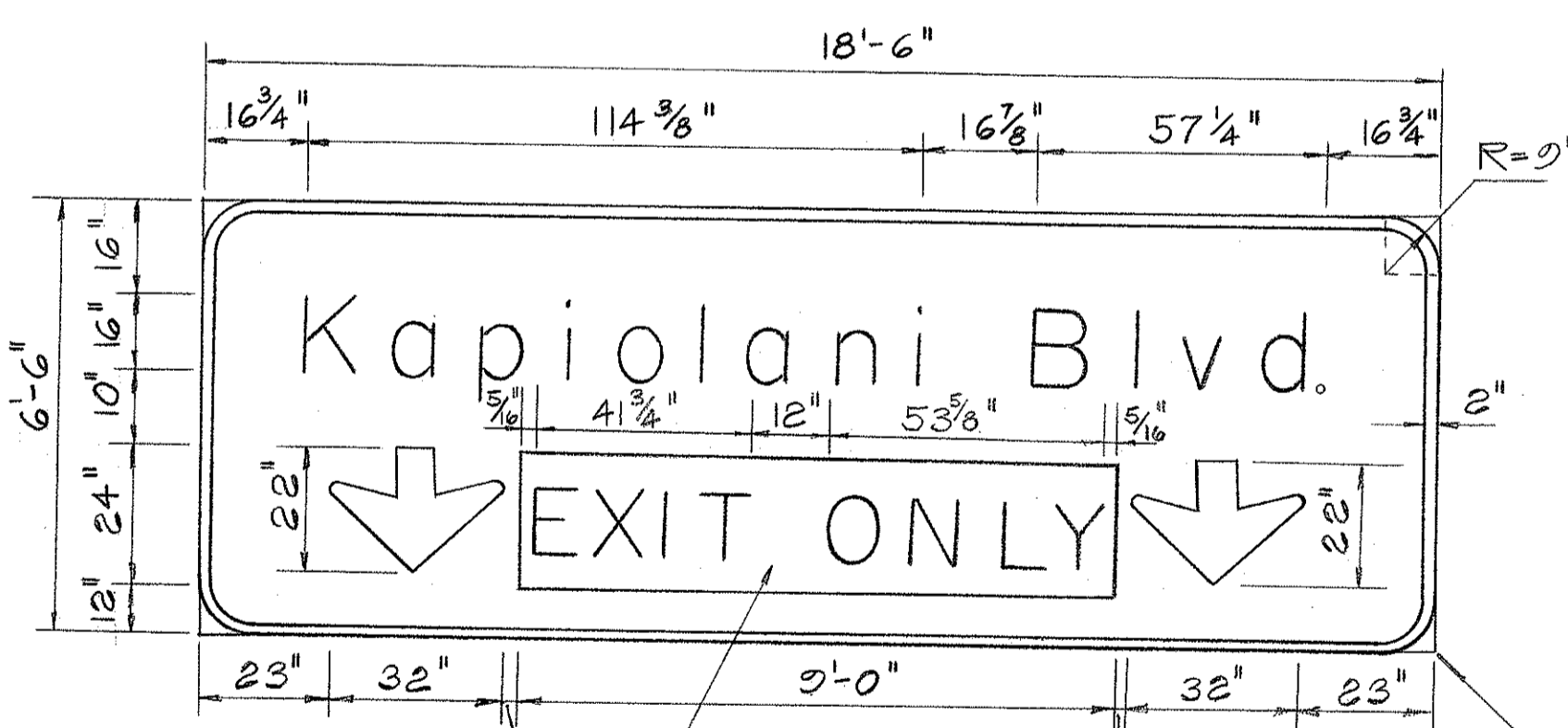
TYPICAL SECTION  
DIRECT BURIED DUCT  
NOT TO SCALE



ELEVATION TOP VIEW



PLAN VIEW



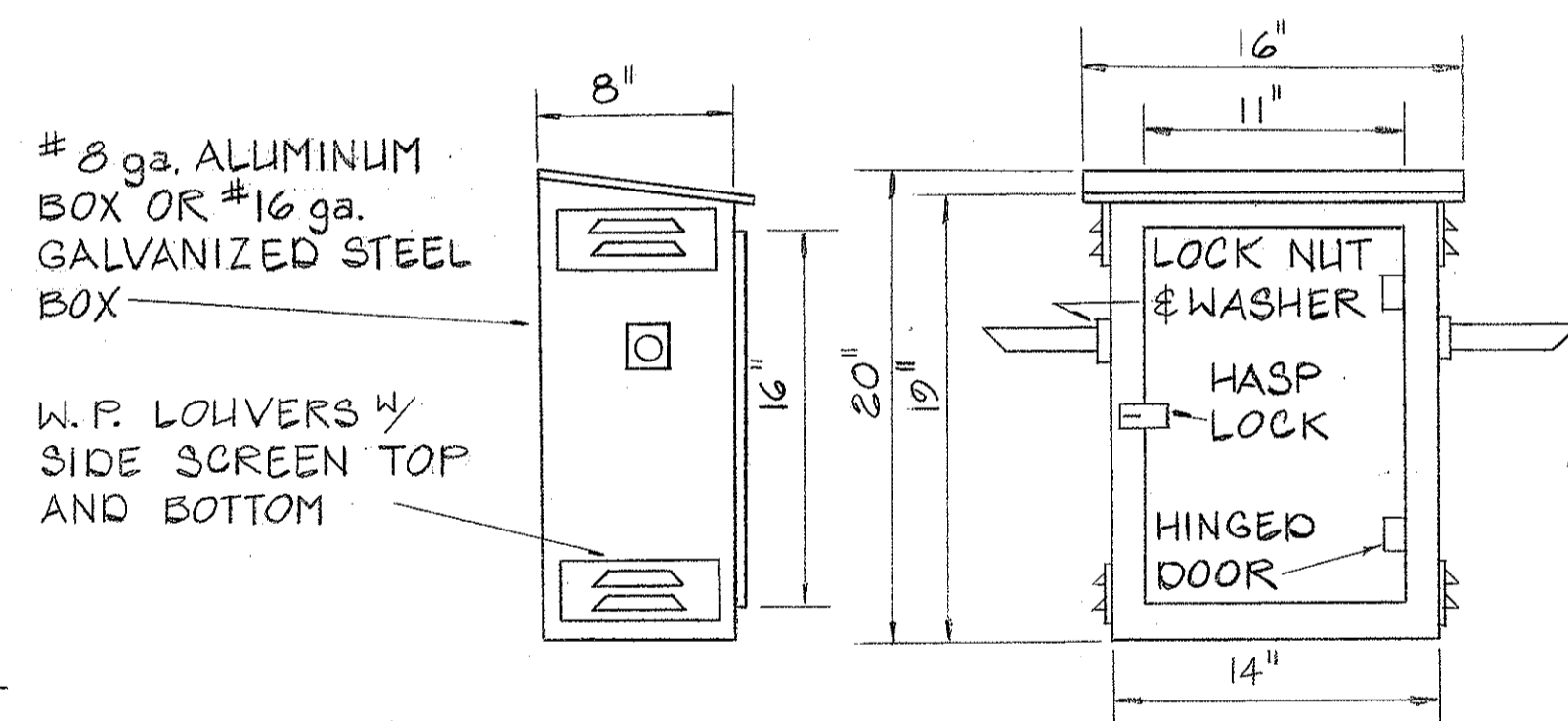
OVERLAY NOTES:

- USE 12" SERIES "E" MODIFIED LETTERS.
- BLACK LEGEND ON REFLECTORIZED YELLOW BACKGROUND.
- OVERLAY PANEL SHALL BE 0.040" THICK ALUMINUM ALLOY 6061 & SHALL BE FASTENED TO SIGN PANEL W/ BLIND ALUM. RIVETS.
- FOR OVERLAY MESSAGE LETTERING SEE "SIGN PANEL NOTES" THIS SHEET.

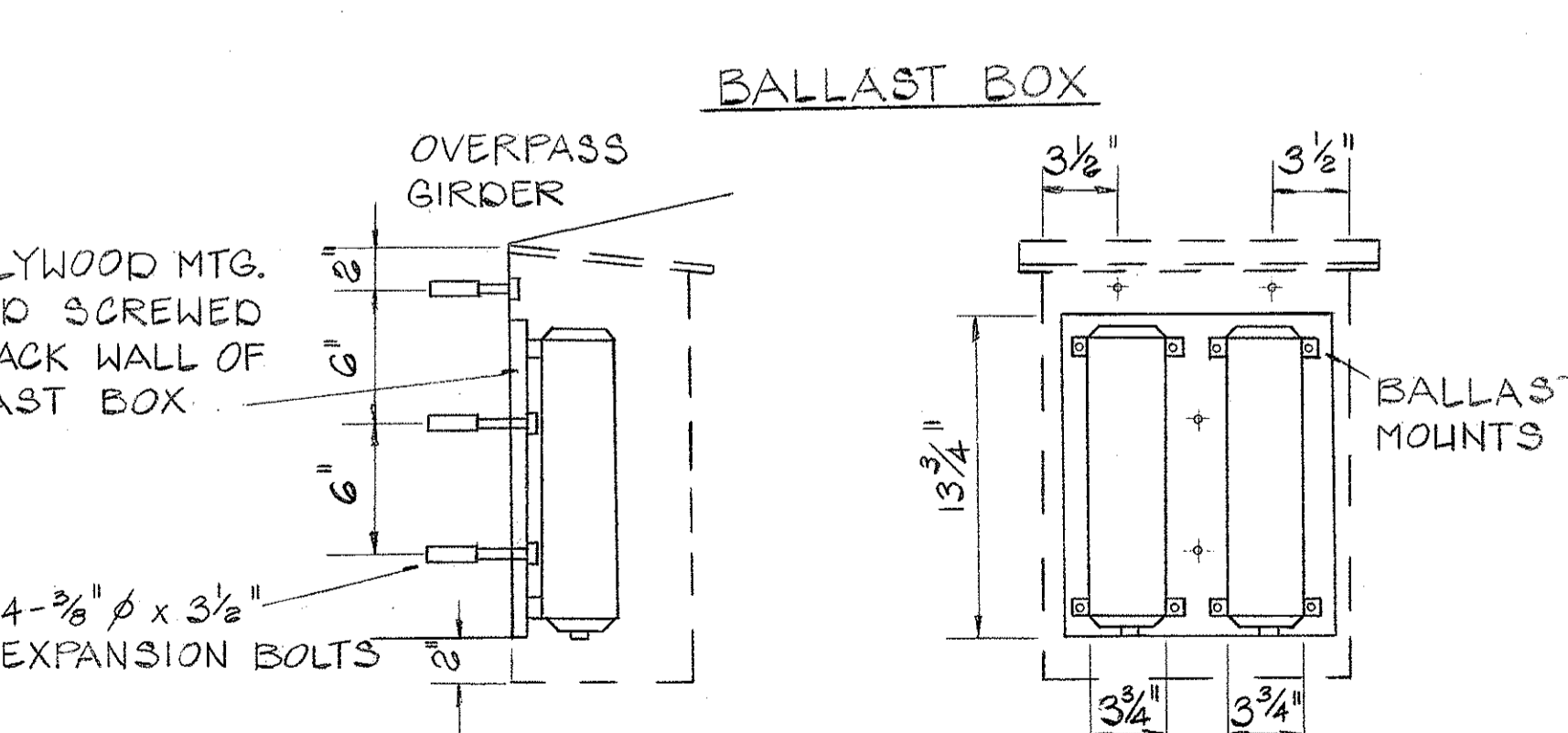
SIGN E-1  
NOTE: AREA OUTSIDE CORNER RADIIUS NEED NOT BE TRIMMED.

ARROW SIZE	ARROW DIMENSIONS (INCHES)						
	a	b	c	d	e	f	r
22x32	32	16	6 1/4	6 1/2	3	22	1

TYPICAL ARROW DETAIL



BALLAST BOX



BALLASTS

WEATHERPROOF BALLAST BOX

SCALE: 1/2" = 1'-0"

SIGN PANEL NOTES

- SIGN MESSAGE SHALL BE LETTERED IN UPPER & LOWER CASE ACCORDING TO "STANDARD ALPHABETS FOR HIGHWAY SIGNS", BPR, 1966. USE SERIES "E" MODIFIED LETTERS UNLESS OTHERWISE NOTED.
- LETTERS, ARROWS & BORDER SHALL BE DEMOUNTABLE ALUMINUM CUTOUTS WITH WHITE REFLECTIVE SHEETING OR CLEAR REFLEX REFLECTORS SET IN WHITE PORCELAIN ENAMELED ALUMINUM CUTOUTS.
- ALL CUTOUTS SHALL BE FASTENED ON SIGN PANEL W/ ALUMINUM BLIND RIVETS.
- BACKGROUND SHALL BE GREEN PORCELAIN ENAMEL

STATE OF HAWAII  
DEPARTMENT OF TRANSPORTATION  
HIGHWAYS DIVISION

EXPRESSWAY SIGN  
INSTALLATION

LUNALILO FREEWAY AT  
4TH AVENUE PEDESTRIAN OVERPASS  
PROJECT NO. HI-K-05-70

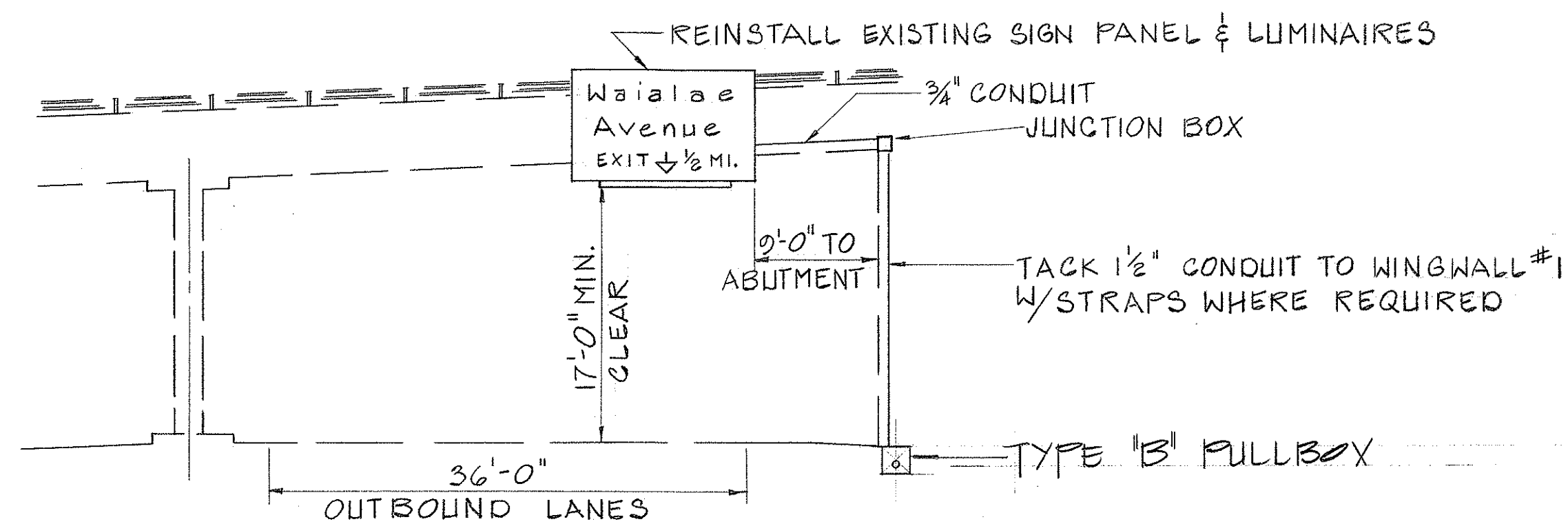
SCALE: AS SHOWN MARCH 1970

SHEET No. 1 OF 4 SHEETS

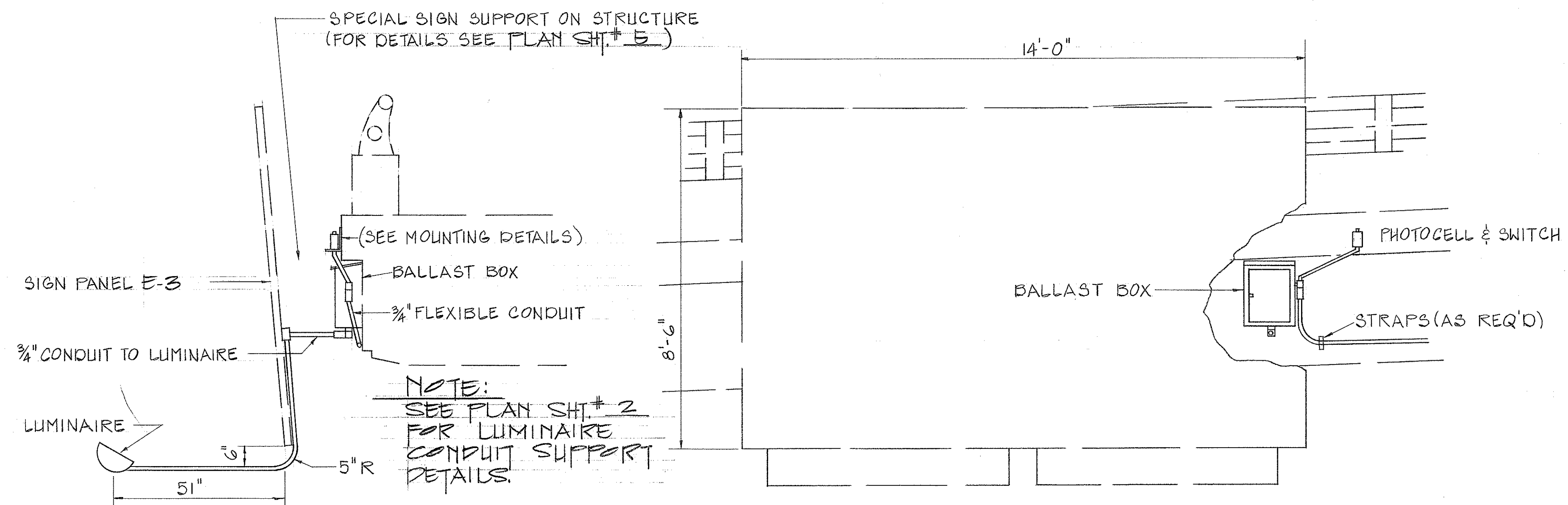
DATE: \_\_\_\_\_  
SURVEY PLOTTED BY: \_\_\_\_\_  
DRAWN BY: \_\_\_\_\_  
CHECKED BY: \_\_\_\_\_  
NOTE BOOK NO. \_\_\_\_\_



FED. ROAD DIST. NO.	STATE	PROJ. NO.	FISCAL YEAR	SHEET NO.	TOTAL SHEETS
HAWAII	HAW.	HI-K-05-70	1970	4	10



ELEVATION

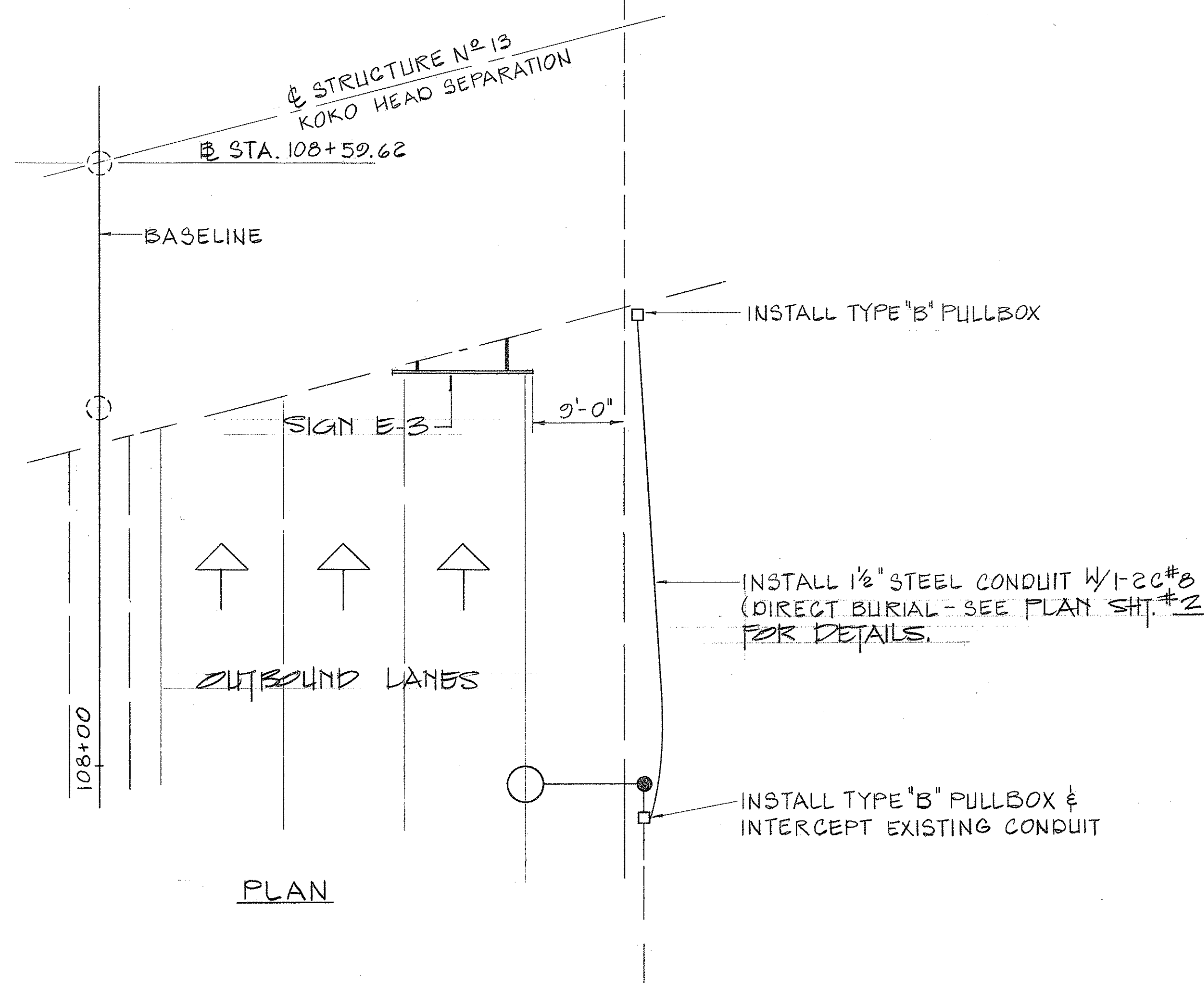


SIDE VIEW

FRONT VIEW

BALLAST BOX & LUMINAIRE LOCATION

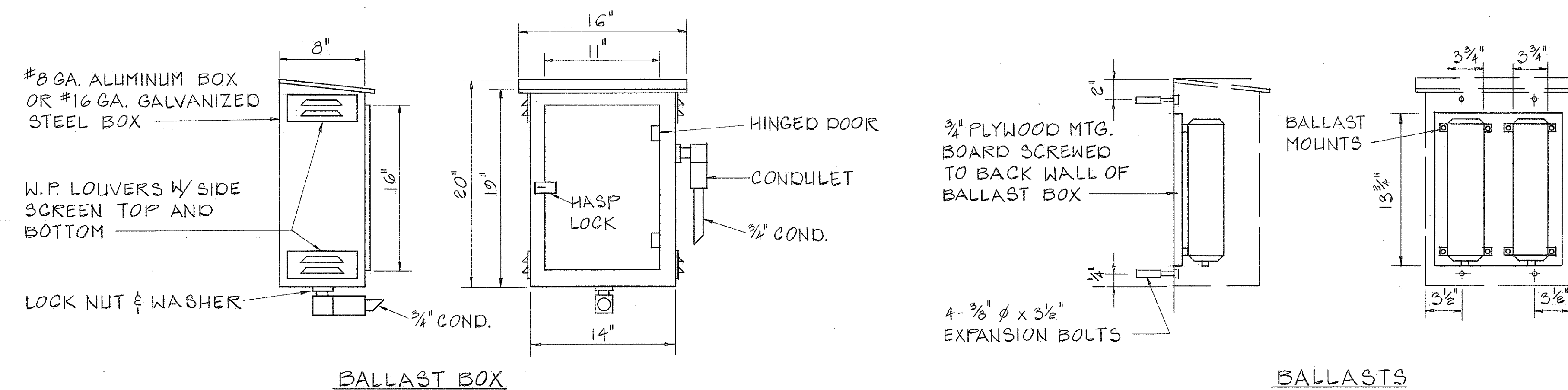
SCALE: 1/2" = 1'-0"



PLAN

SIGN E-3  
STRUCTURE N° 13  
KOKO HEAD SEPARATION

SCALE: 1" = 10'-0"

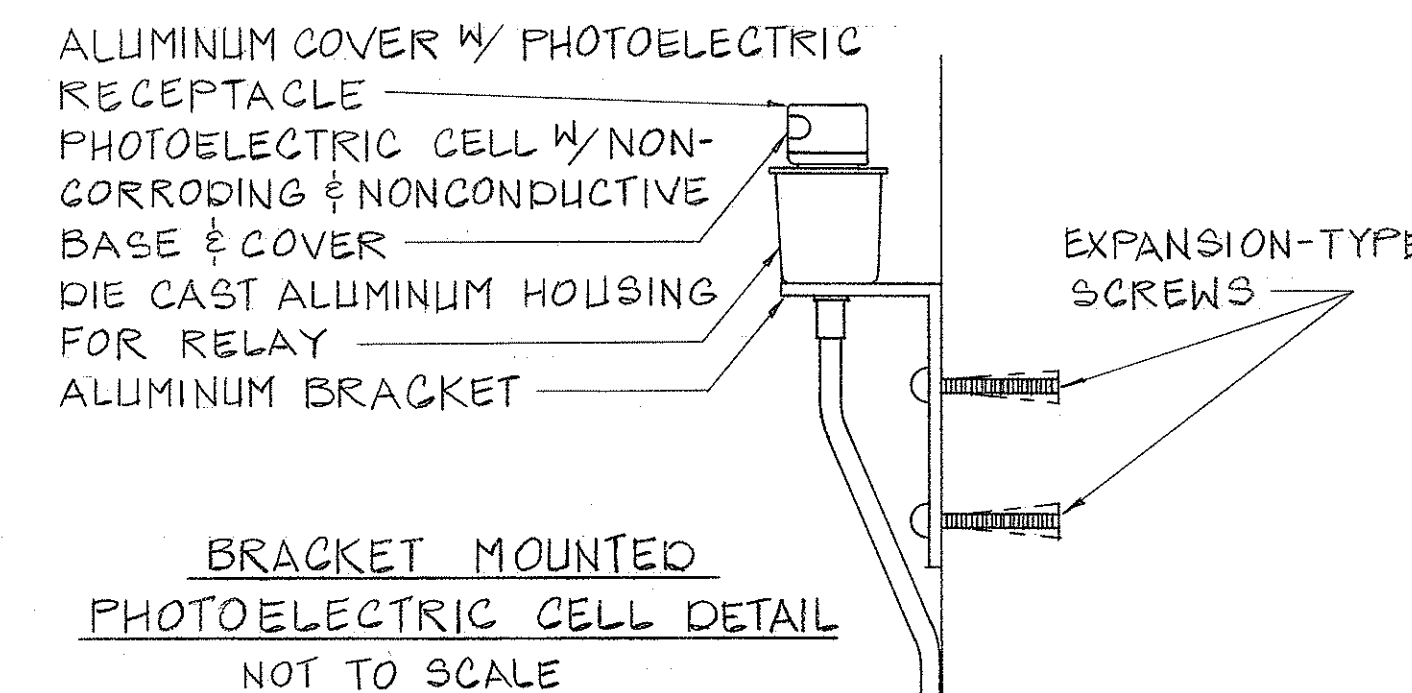


BALLAST BOX

WEATHERPROOF BALLAST BOX

SCALE: 1/2" = 1'-0"

BALLASTS



NOTES:

- EXISTING SIGN PANEL & LUMINAIRES PRESENTLY STORED AT THE HIGHWAY DIVISION'S WAREHOUSE LOCATED AT 721 KELIKOI ST., HONOLULU TO BE CLEANED AND PAINTED AS REQUIRED.
- THE CONTRACTOR SHALL VERIFY THE DIMENSIONS AND LOCATION OF EXISTING EQUIPMENT AND FACILITIES.
- THE CONTRACTOR SHALL FURNISH & INSTALL ALL ADDITIONAL MATERIALS & EQUIPMENT TO COMPLETE THE INSTALLATION.

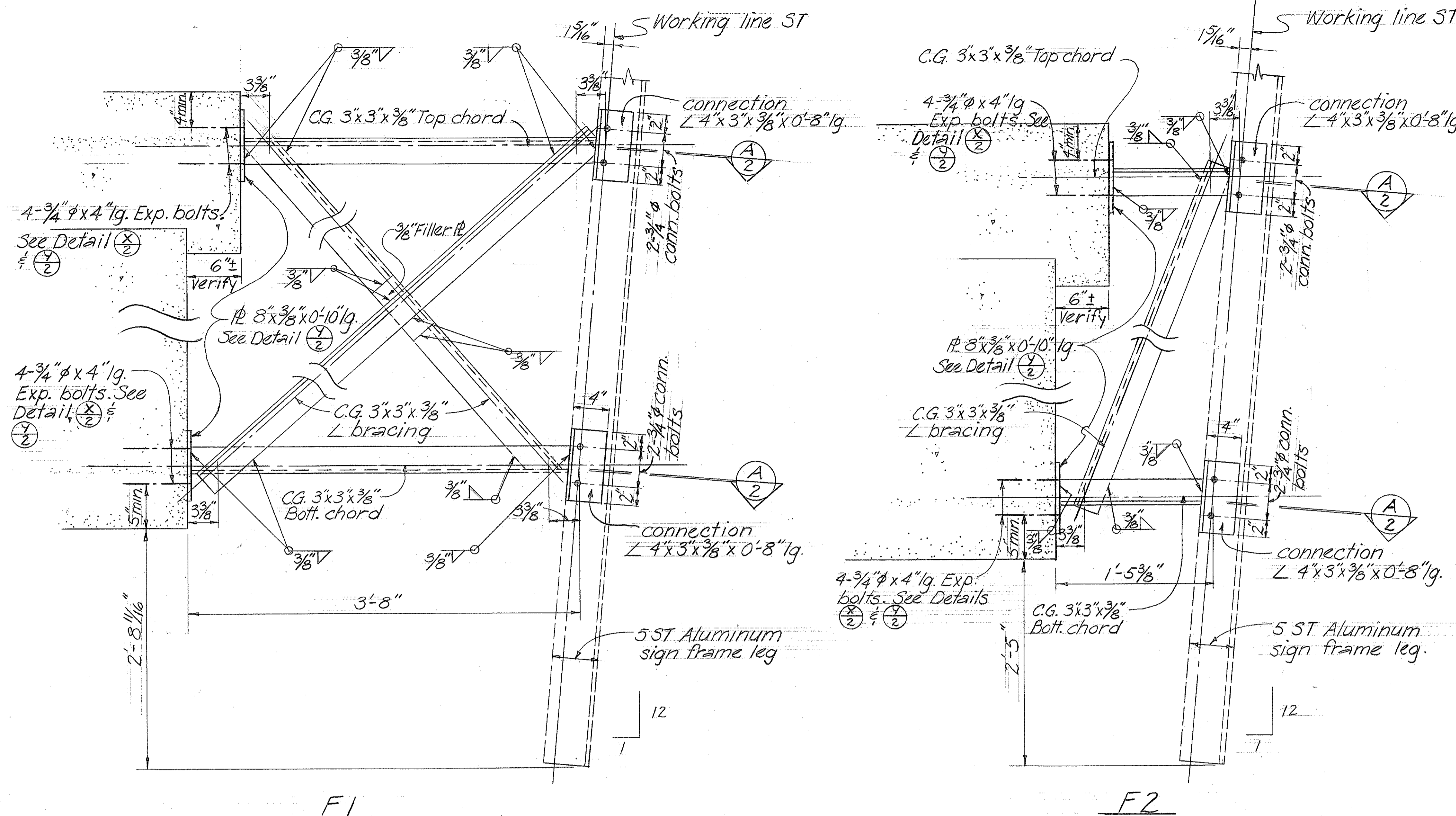
STATE OF HAWAII  
DEPARTMENT OF TRANSPORTATION  
HIGHWAYS DIVISION  
**EXPRESSWAY SIGN  
INSTALLATION**  
LUNALILO FREEWAY AT  
KOKO HEAD SEPARATION  
PROJECT NO. HI-K-05-70

SCALE: AS SHOWN MARCH 1970

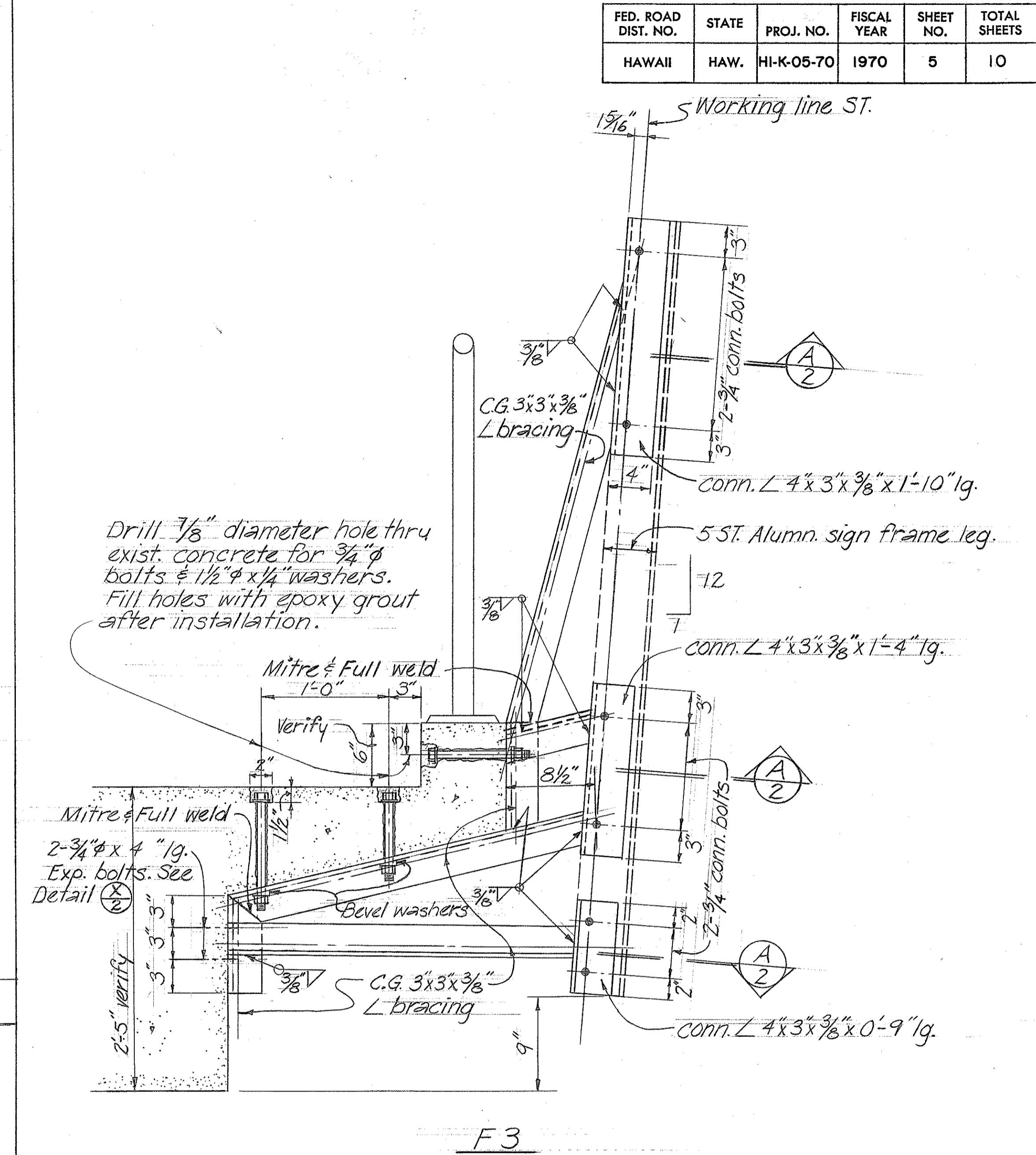
SHEET No. 3 OF 4 SHEETS

DATE	
DESIGNED BY	
CHECKED BY	
NO.	

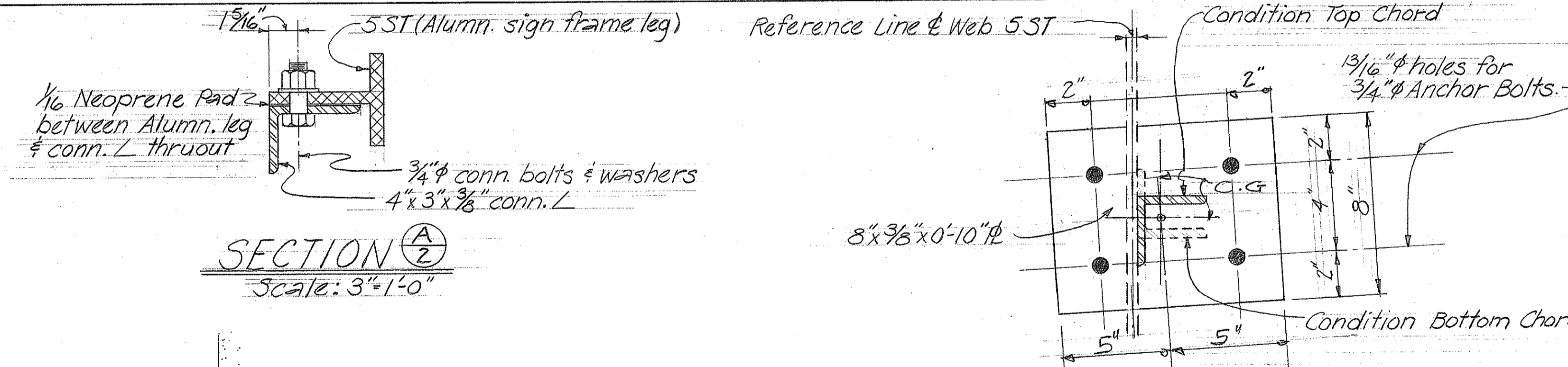
FED. ROAD DIST. NO.	STATE	PROJ. NO.	FISCAL YEAR	SHEET NO.	TOTAL SHEETS
HAWAII	HAW.	HI-K-05-70	1970	5	10



F1 F2  
SIGN FRAME DETAILS — STRUCTURE #13 Scale: 1/2"=1'-0"

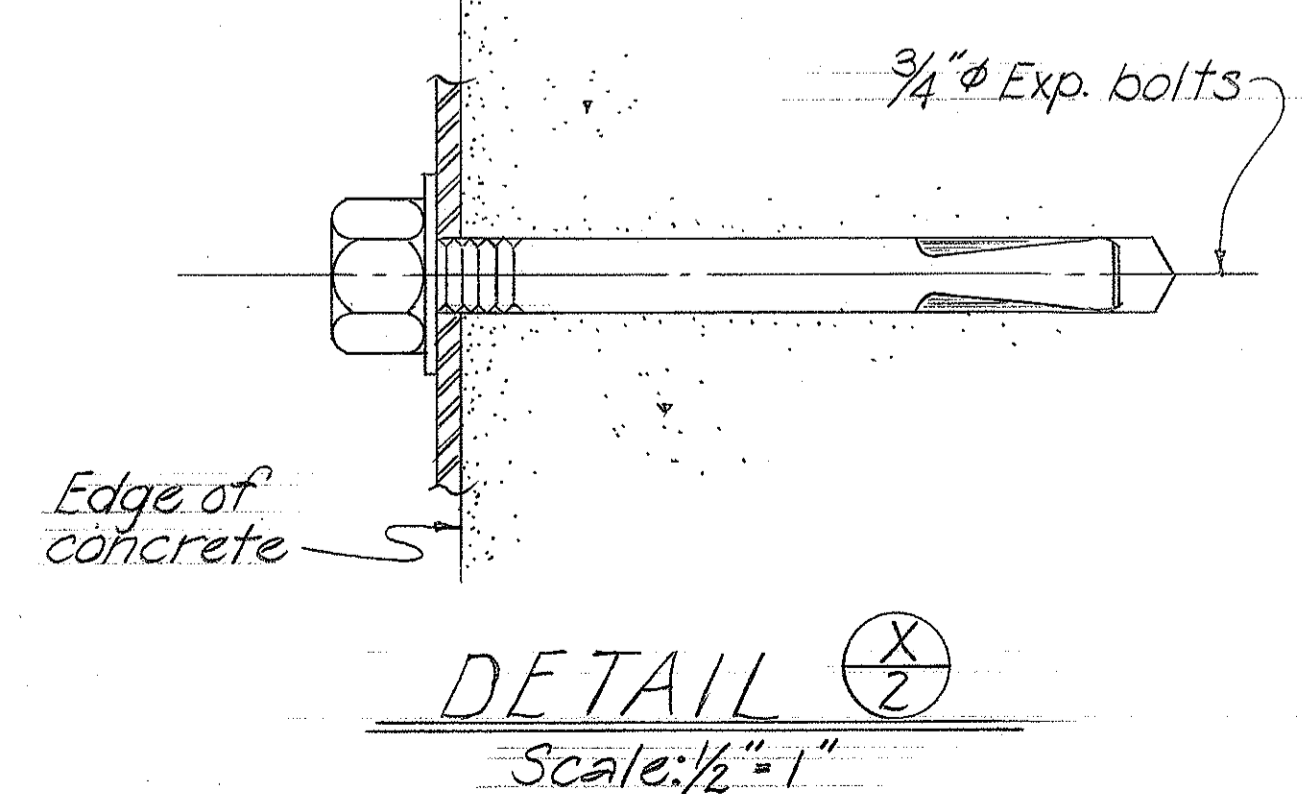


F3  
SIGN FRAME DETAILS — STRUCTURE #5 Scale: 1/2"=1'-0"



SECTION A-A  
Scale: 3"=1'-0"

DETAIL (CONNECTOR #)  
Scale: 3"=1'-0"



DETAIL X-X  
Scale: 1/2"=1'-0"

**GENERAL NOTES**

Structural Steel: All structural steel shall be Structural Carbon Steel, A.S.T.M. Designation A-36

Welding: All welding shall conform to the latest Standard Specifications for welded Highway and Railway Bridges (Design, Construction and Repair) of American Welding Society

Fabrication of Structural Steel shall conform to the requirements of the Standard Specifications.

All structural steel assemblies, including plates and bolts shall be galvanized after fabrication, in accordance with the requirements of the Standard Specifications.

All damaged galvanized surfaces shall be repaired by field galvanizing as required by Special Provisions.

All dimensions for sign bracket assembly shall be verified in the field by the contractors before fabrication of assembly.

No percussion or impact drills shall be permitted in making holes for bolts.

STATE OF HAWAII  
DEPARTMENT OF TRANSPORTATION  
HIGHWAYS DIVISION

EXPRESSWAY SIGN SUPPORTS  
(STRUCTURE MOUNTED)

SCALE: AS SHOWN MARCH 1970  
SHEET No. 4 OF 4 SHEETS

DESIGNED BY	DATE
DRAWN BY	
CHECKED BY	
NOTE BOOK	
No.	