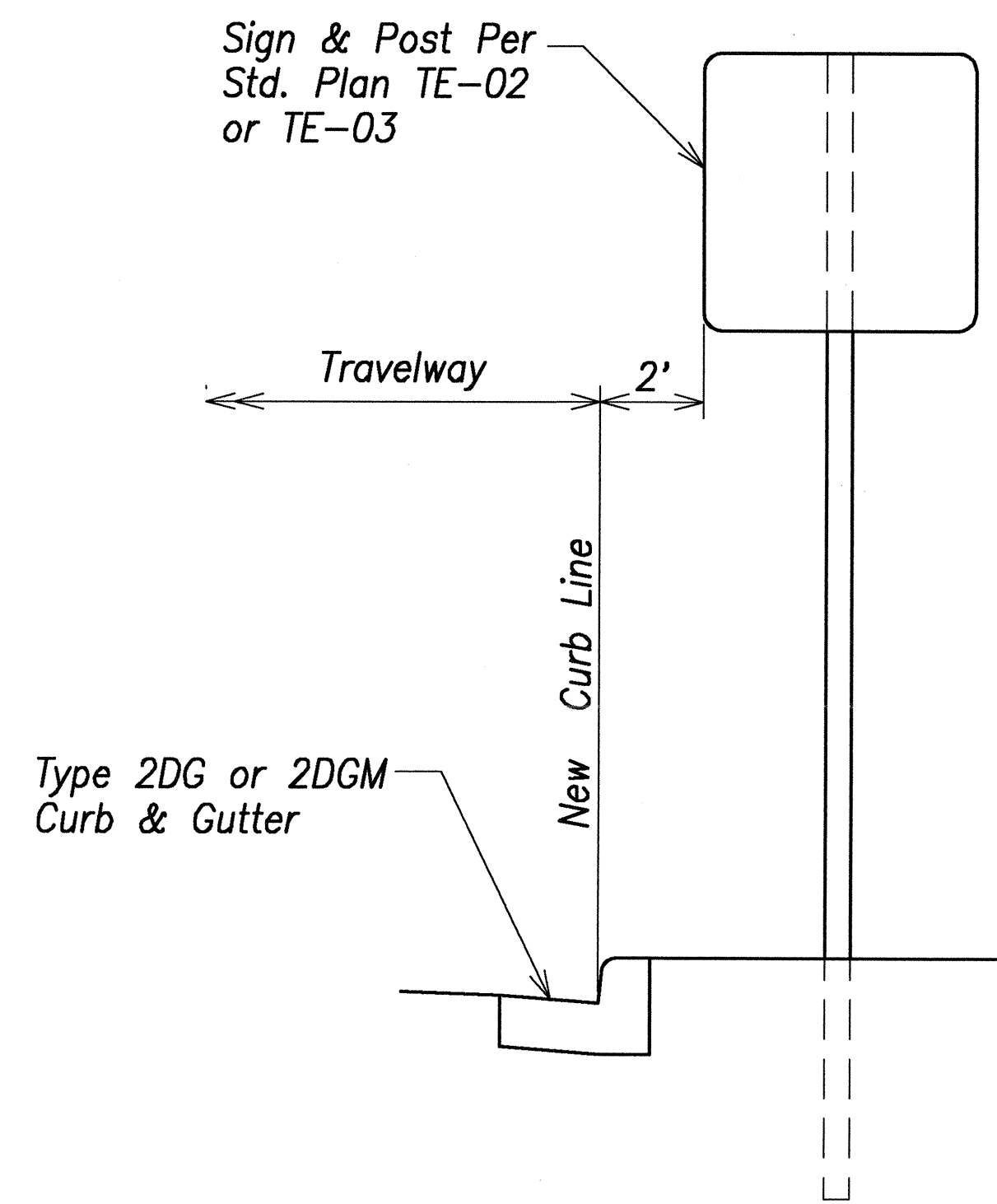
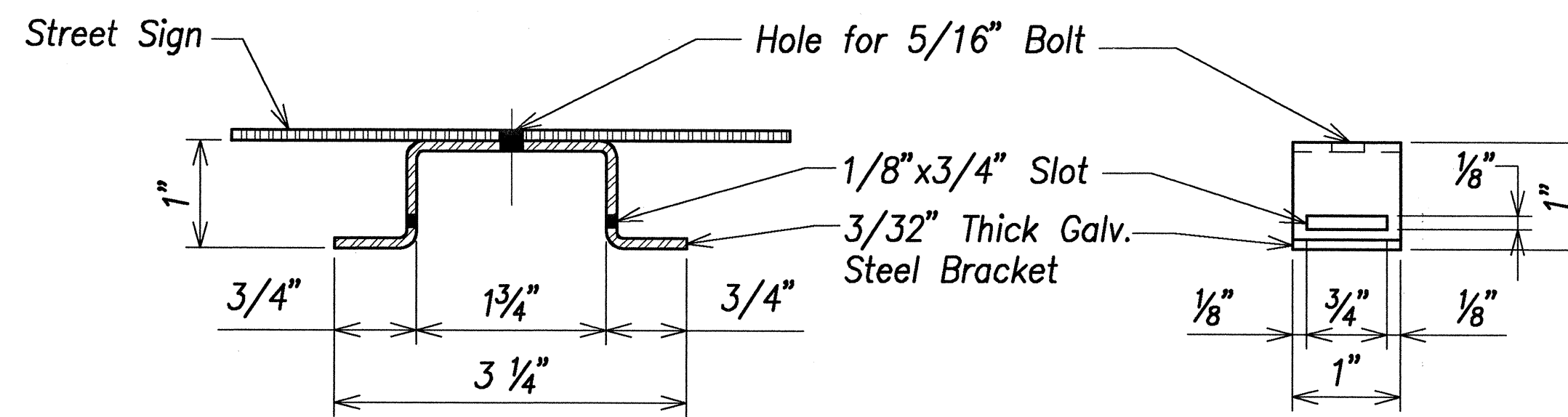


FED. ROAD DIST. NO.	STATE	FED. AID PROJ. NO.	FISCAL YEAR	SHEET NO.	TOTAL SHEETS
HAWAII	HAW.	STP-8930(2)	2007	105	331

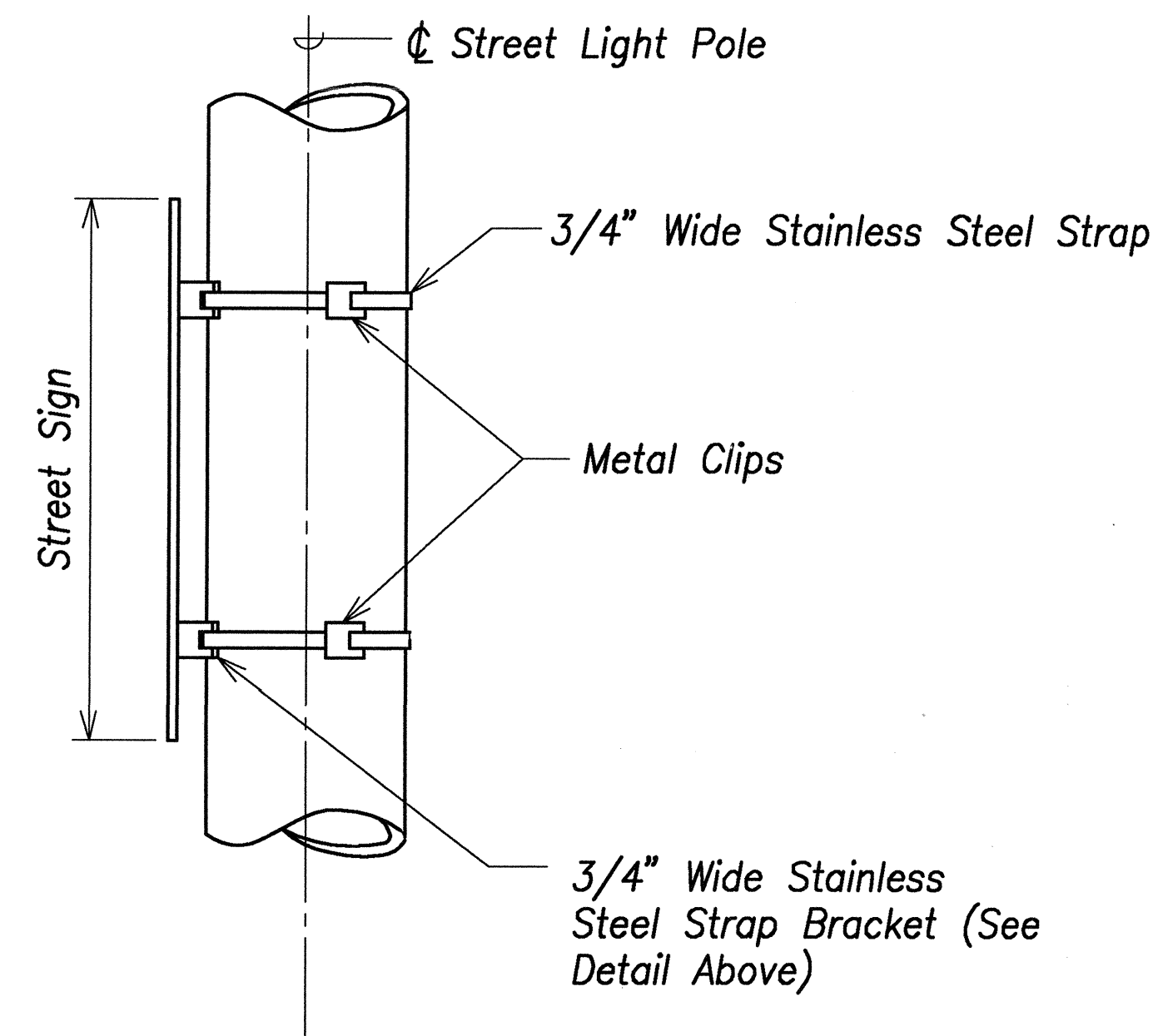


Sign Post Detail - Installation with Conc. Curb
Not To Scale

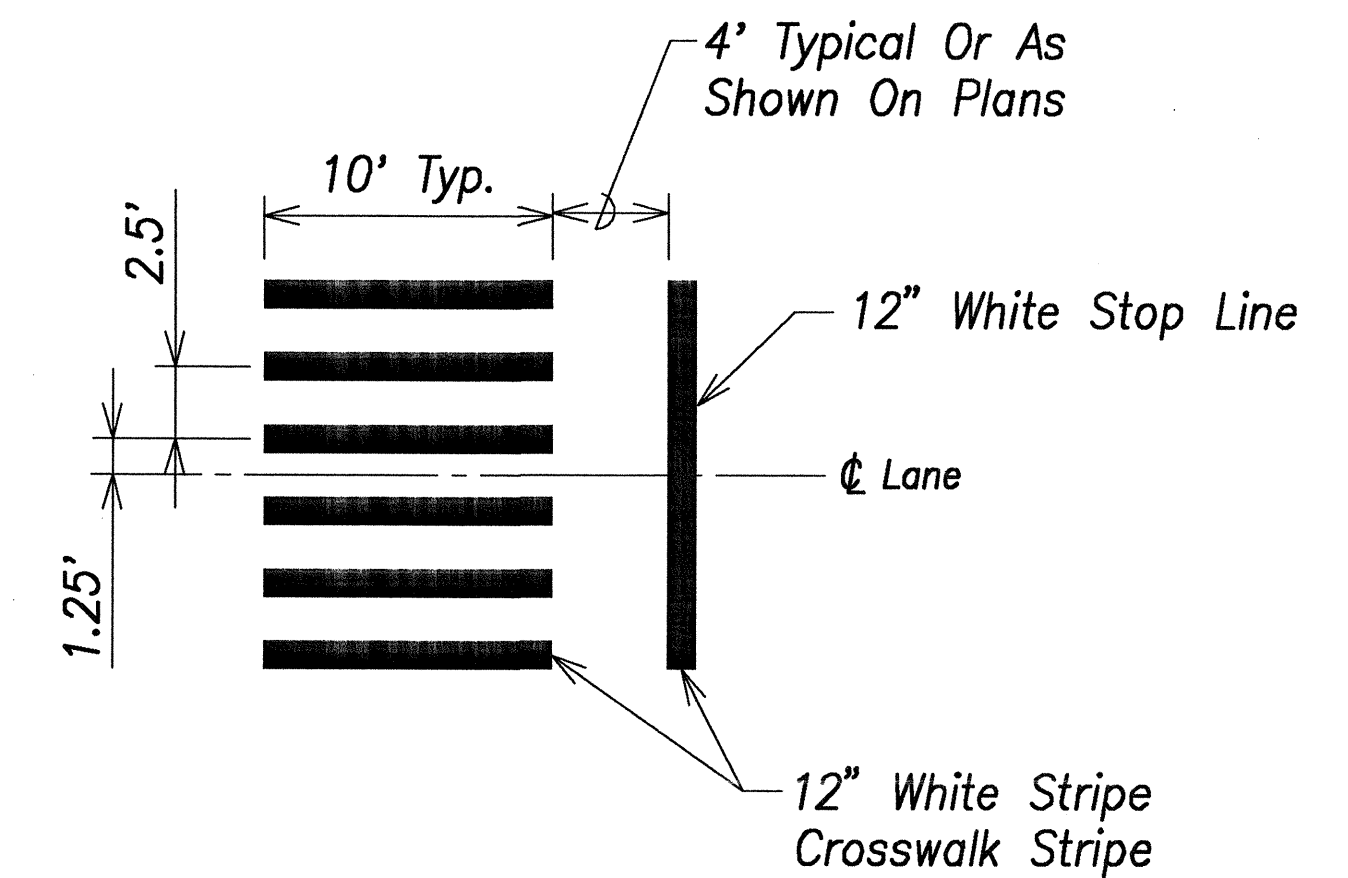


Bracket Detail

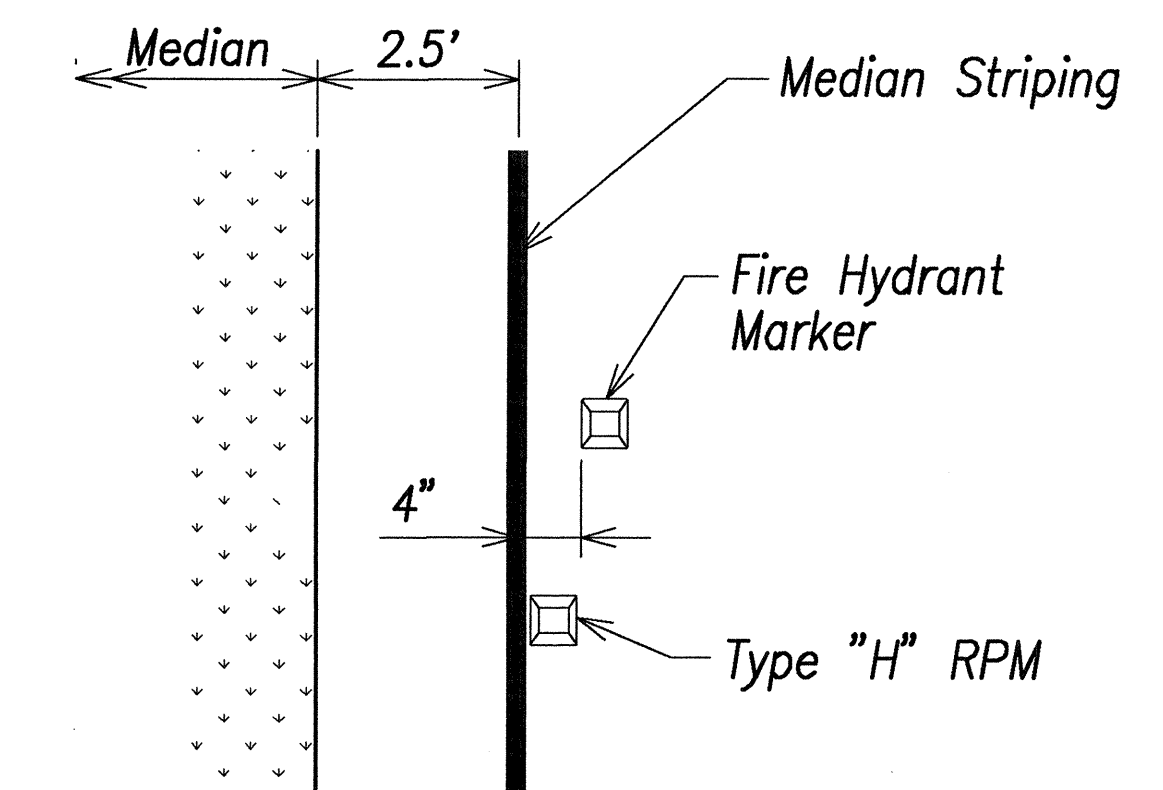
Note:
All sign installations shall provide required lateral & height clearances, including new signs that will be posted onto exist. sign posts. Extend, relocate or replace as required to meet clearance requirements.



Strap Mounting Detail
For Mounting on Light Standards



Crosswalk Striping
Not To Scale



Fire Hydrant Marker Location
Not To Scale

ORIGINAL PLAN	SURVEY PLOTTED BY	DATE
NOTE BOOK	DRAWN BY	
No.	DESIGNED BY	
	QUANTITIES BY	
	CHECKED BY	



THIS WORK WAS PREPARED BY ME OR UNDER MY SUPERVISION.
DATE OF LICENSE EXPIRY: APR 30, 2008
SIGNATURE: [Signature]

STATE OF HAWAII
DEPARTMENT OF TRANSPORTATION
HIGHWAYS DIVISION

SIGNING & STRIPING DETAILS

North-South Road
Phase 1B
F.A.I. Proj. No. STP-8930(2)

Scale: As Shown Date: Feb 21, 2007

SHEET No. C7.15 OF 150 SHEETS