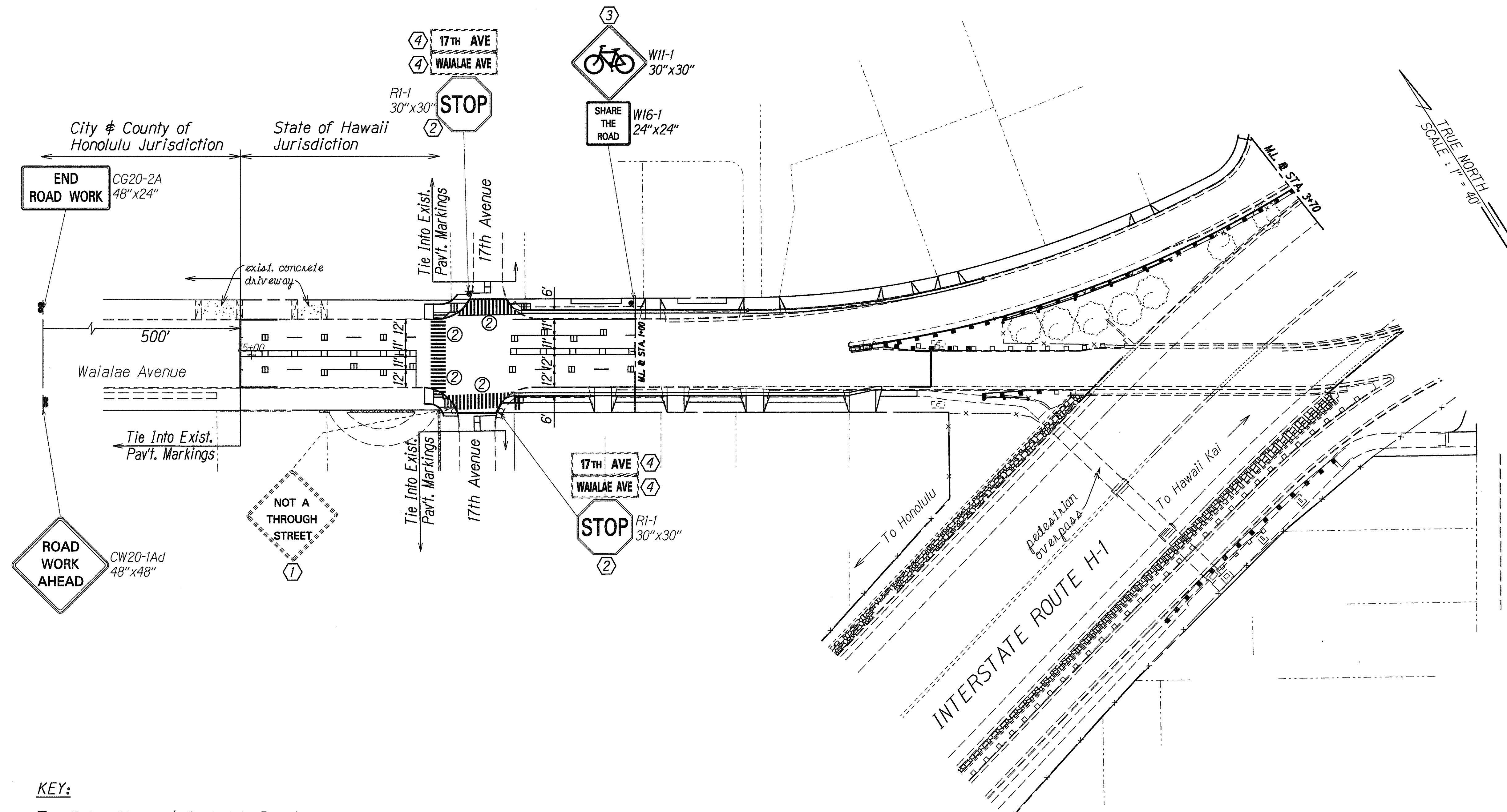


| FED. ROAD DIST. NO. | STATE | FED. AID PROJ. NO. | FISCAL YEAR | SHEET NO. | TOTAL SHEETS |
|---------------------|-------|--------------------|-------------|-----------|--------------|
| HAWAII | HAW. | CMAQ-0300(72) | 2000 | 52 | 60 |



- KEY:**
- ① Exist. Sign(s) & Post(s) to Remain
 - ② Remove Exist. Sign(s) w/Post(s) & Install New Sign(s) w/Post(s)
 - ③ Install New Sign(s) w/Post(s)
 - ④ Remove & Reinstall Exist. C&C Street Name Sign on New Post

| | |
|-------------------|---------------|
| DATE | _____ |
| SURVEY PLOTTED BY | _____ |
| DRAWN BY | M. Takahashi |
| DESIGNED BY | S. Y. Yoshida |
| CHECKED BY | _____ |
| ORIGINAL PLAN | _____ |
| NOTE BOOK | _____ |
| NO. 51151011 | _____ |

STATE OF HAWAII
DEPARTMENT OF TRANSPORTATION
HIGHWAYS DIVISION

PAVEMENT MARKING & SIGNING PLAN

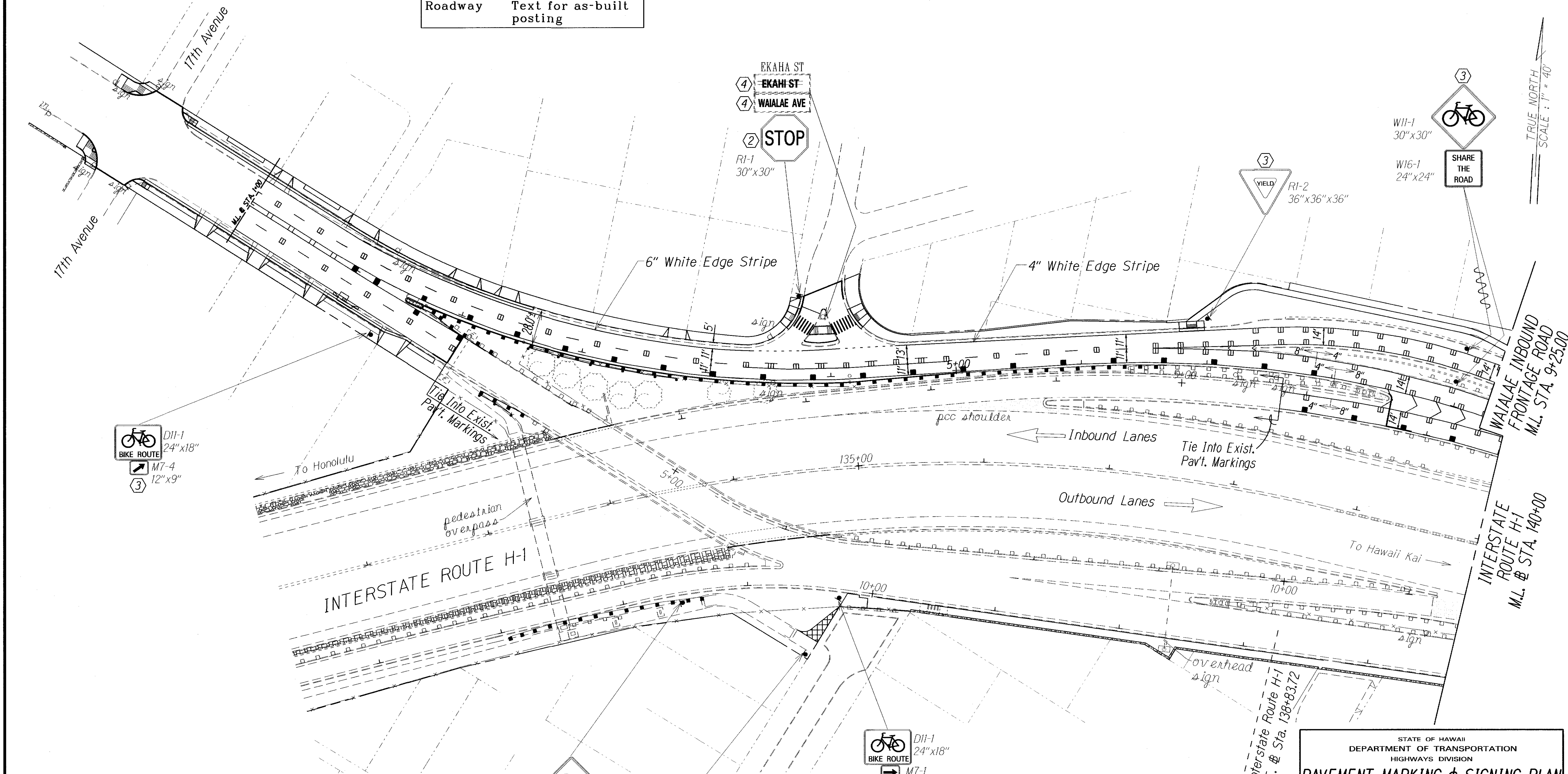
*Waialae Avenue Shoulder Improvements
For Bicycle Lanes
Kealaolu Avenue to Kalaniana'ole Highway
and 17th Avenue to 21st Avenue
Federal Aid Project No. CMAQ-0300(72)*

Scale: 1"=40' Date: June, 2000

SHEET No. 1 OF 5 SHEETS

| FED. ROAD DIST. NO. | STATE | FED. AID PROJ. NO. | FISCAL YEAR | SHEET NO. | TOTAL SHEETS |
|---------------------|-------|--------------------|-------------|-----------|--------------|
| HAWAII | HAW. | CMAQ-0300(72) | 2000 | C.O. 53 | 60 |

| LEGEND FOR AS-BUILT POSTINGS | |
|------------------------------|-------------------------------------|
| | Squiggly line for as-built deletion |
| | Double line for as-built deletion |
| Roadway | Text for as-built posting |



- KEY:**
- ① Exist. Sign(s) & Post(s) to Remain
 - ② Remove Exist. Sign(s) w/Post(s) & Install New Sign(s) w/Post(s)
 - ③ Install New Sign(s) w/Post(s)
 - ④ Remove & Reinstall Exist. C&C Street Name Sign on New Post

| | |
|-------------------|--|
| DATE | |
| SURVEY PLOTTED BY | |
| DRAWN BY | |
| TRACED BY | |
| QUANTITIES BY | |
| CHECKED BY | |
| ORIGINAL PLAN | |
| NOTE BOOK | |
| DATE | |
| SCALE | |

| | |
|--------|--|
| 4/1/02 | Extend pavement striping on West-bound off-ramp. |
| DATE | REVISION |

STATE OF HAWAII
DEPARTMENT OF TRANSPORTATION
HIGHWAYS DIVISION

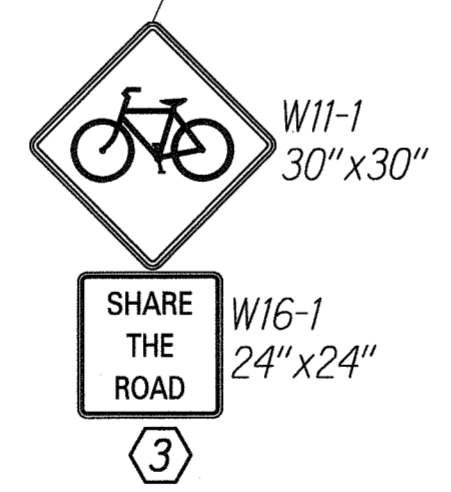
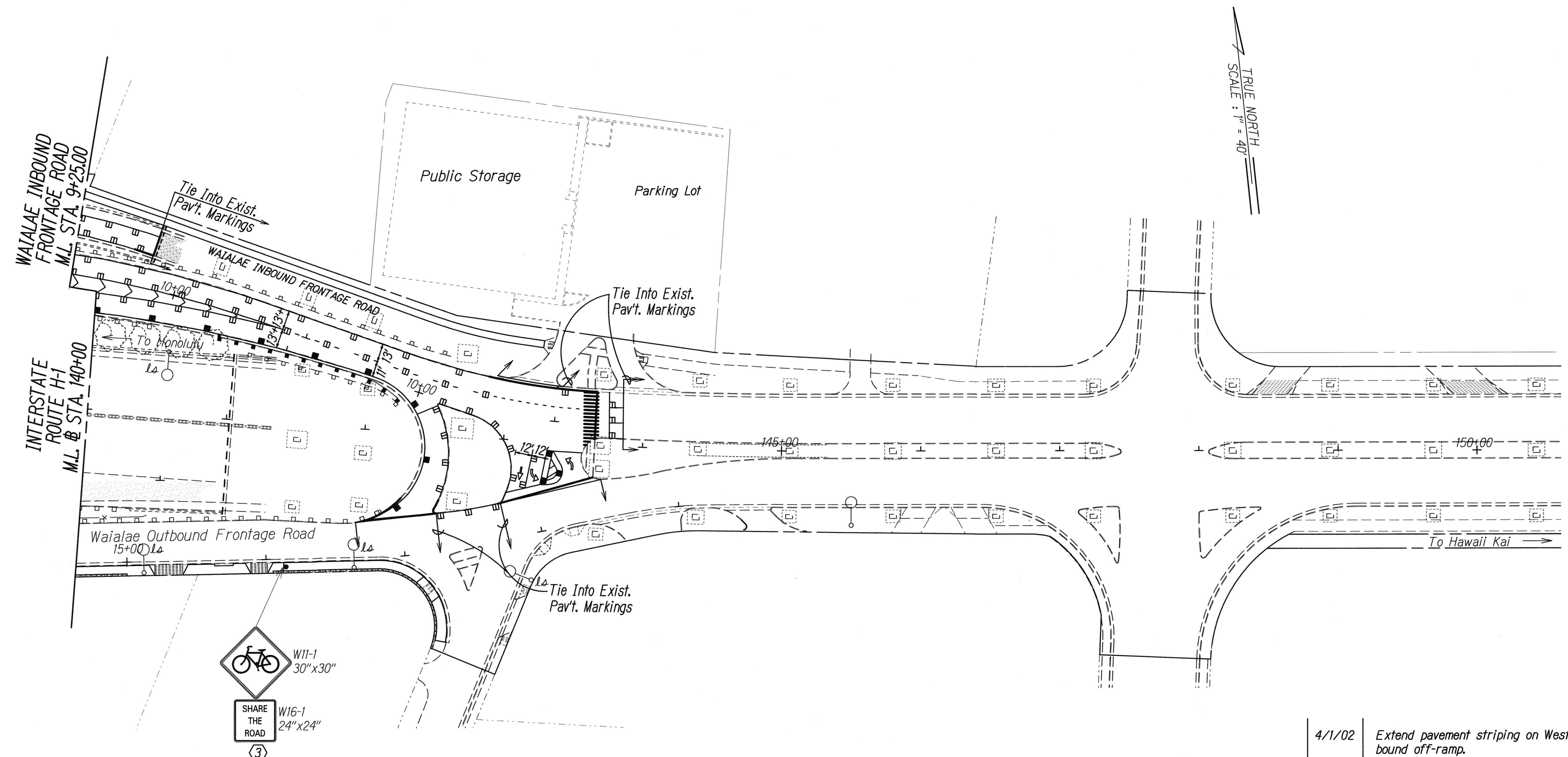
PAVEMENT MARKING & SIGNING PLAN

Waialae Avenue Shoulder Improvements
For Bicycle Lanes
Kealaolu Avenue to Kalanianaʻole Highway
and 17th Avenue to 21st Avenue
Federal Aid Project No. CMAQ-0300(72)

Scale: 1"=40' Date: June, 2000

SHEET No. 2 OF 5 SHEETS

| FED. ROAD DIST. NO. | STATE | FED. AID PROJ. NO. | FISCAL YEAR | SHEET NO. | TOTAL SHEETS |
|---------------------|-------|--------------------|-------------|-----------|--------------|
| HAWAII | HAW. | CMAQ-0300(72) | 2000 | C.O. 54 | 60 |



- KEY:**
- ① Exist. Sign(s) & Post(s) to Remain
 - ② Remove Exist. Sign(s) w/Post(s) & Install New Sign(s) w/Post(s)
 - ③ Install New Sign(s) w/Post(s)
 - ④ Remove & Reinstall Exist. C&C Street Name Sign on New Post

| 4/1/02 | Extend pavement striping on West-bound off-ramp. |
|--------|--|
| DATE | REVISION |

STATE OF HAWAII
DEPARTMENT OF TRANSPORTATION
HIGHWAYS DIVISION

PAVEMENT MARKING & SIGNING PLAN

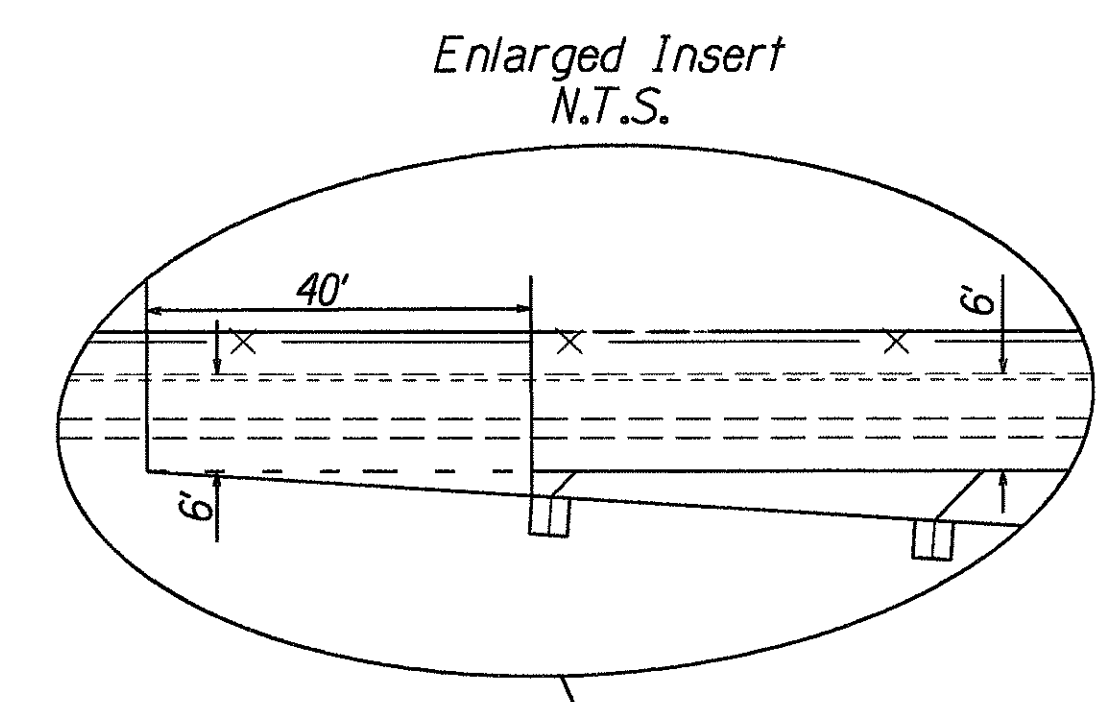
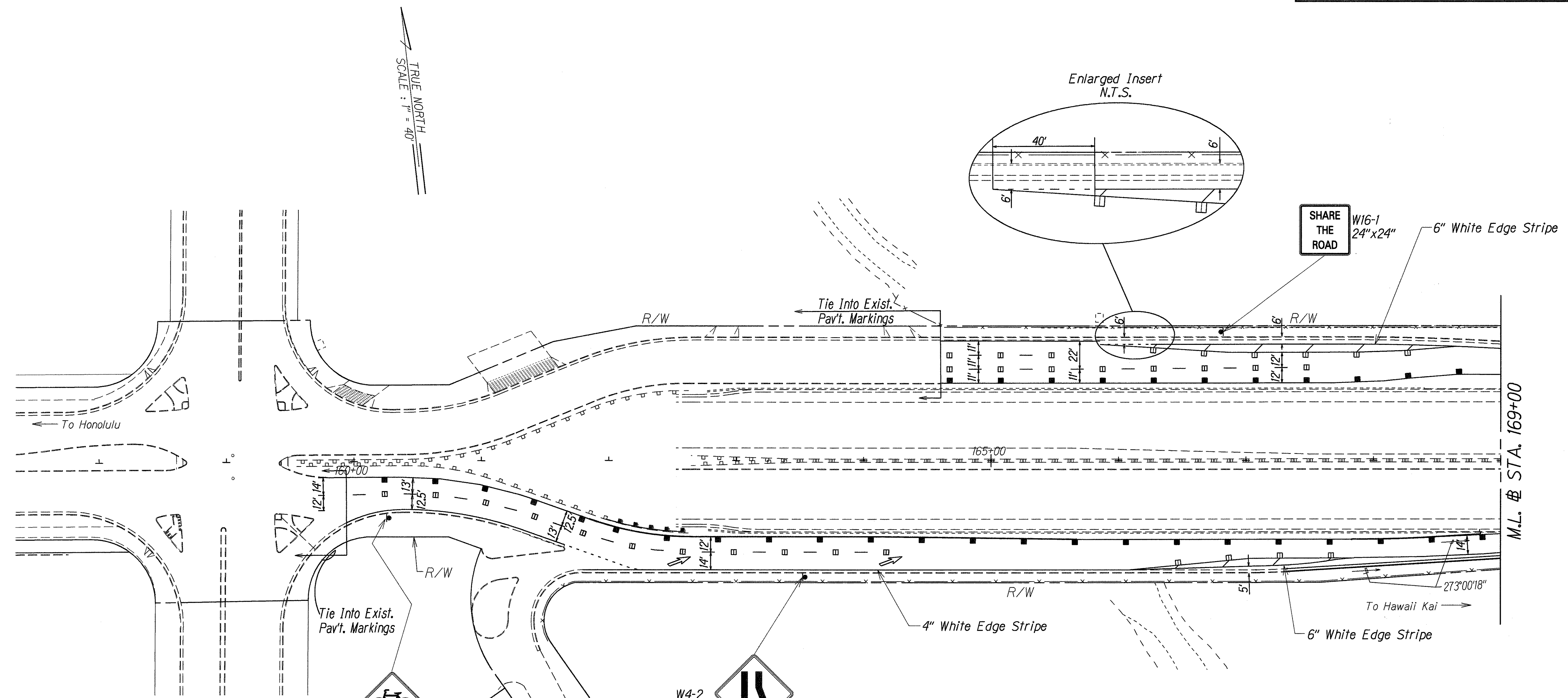
*Waialae Avenue Shoulder Improvements
For Bicycle Lanes
Kealaolu Avenue to Kalanianaʻole Highway
and 17th Avenue to 21st Avenue
Federal Aid Project No. CMAQ-0300(72)*

Scale: 1"=40' Date: June, 2000

| | |
|--------------|------|
| DESIGNED BY | DATE |
| DRAWN BY | |
| CHECKED BY | |
| APPROVED BY | |
| PROJECT NO. | |
| SHEET NO. | |
| TOTAL SHEETS | |

| FED. ROAD DIST. NO. | STATE | FED. AID PROJ. NO. | FISCAL YEAR | SHEET NO. | TOTAL SHEETS |
|---------------------|-------|--------------------|-------------|-----------|--------------|
| HAWAII | HAW. | CMAQ-0300(72) | 2000 | 55 | 60 |

TRUE NORTH
SCALE: 1" = 40'



SHARE THE ROAD
W16-1
24" x 24"

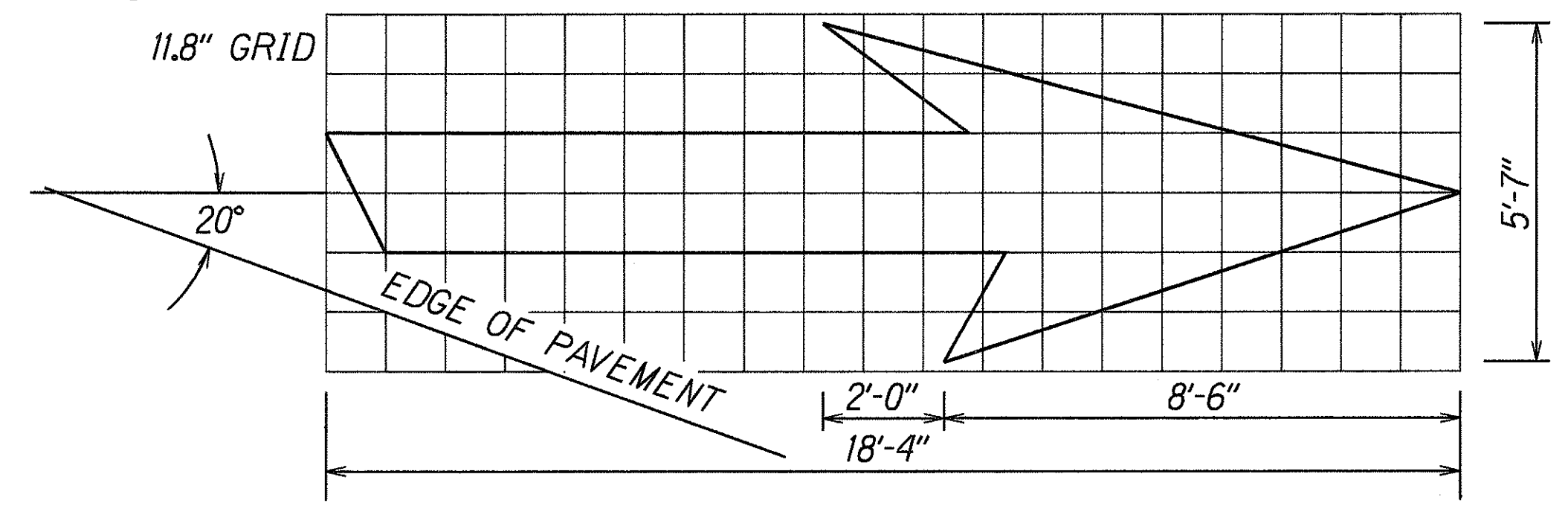
6" White Edge Stripe

W11-1
36" x 36"

SHARE THE ROAD

W16-1
24" x 24"

W4-2
36" x 36"



TYPE VI ARROW
RIGHT LANE DROP ARROW
(FOR LEFT LANE,
USE MIRROR IMAGE)

| | |
|---------------|------|
| DESIGNED BY | DATE |
| TRACED BY | |
| DESIGNED BY | |
| QUANTITIES BY | |
| CHECKED BY | |

STATE OF HAWAII
DEPARTMENT OF TRANSPORTATION
HIGHWAYS DIVISION

PAVEMENT MARKING & SIGNING PLAN

Waialae Avenue Shoulder Improvements
For Bicycle Lanes
Kealaolu Avenue to Kalaniana'ole Highway
and 17th Avenue to 21st Avenue
Federal Aid Project No. CMAQ-0300(72)

Scale: 1"=40' Date: June, 2000

