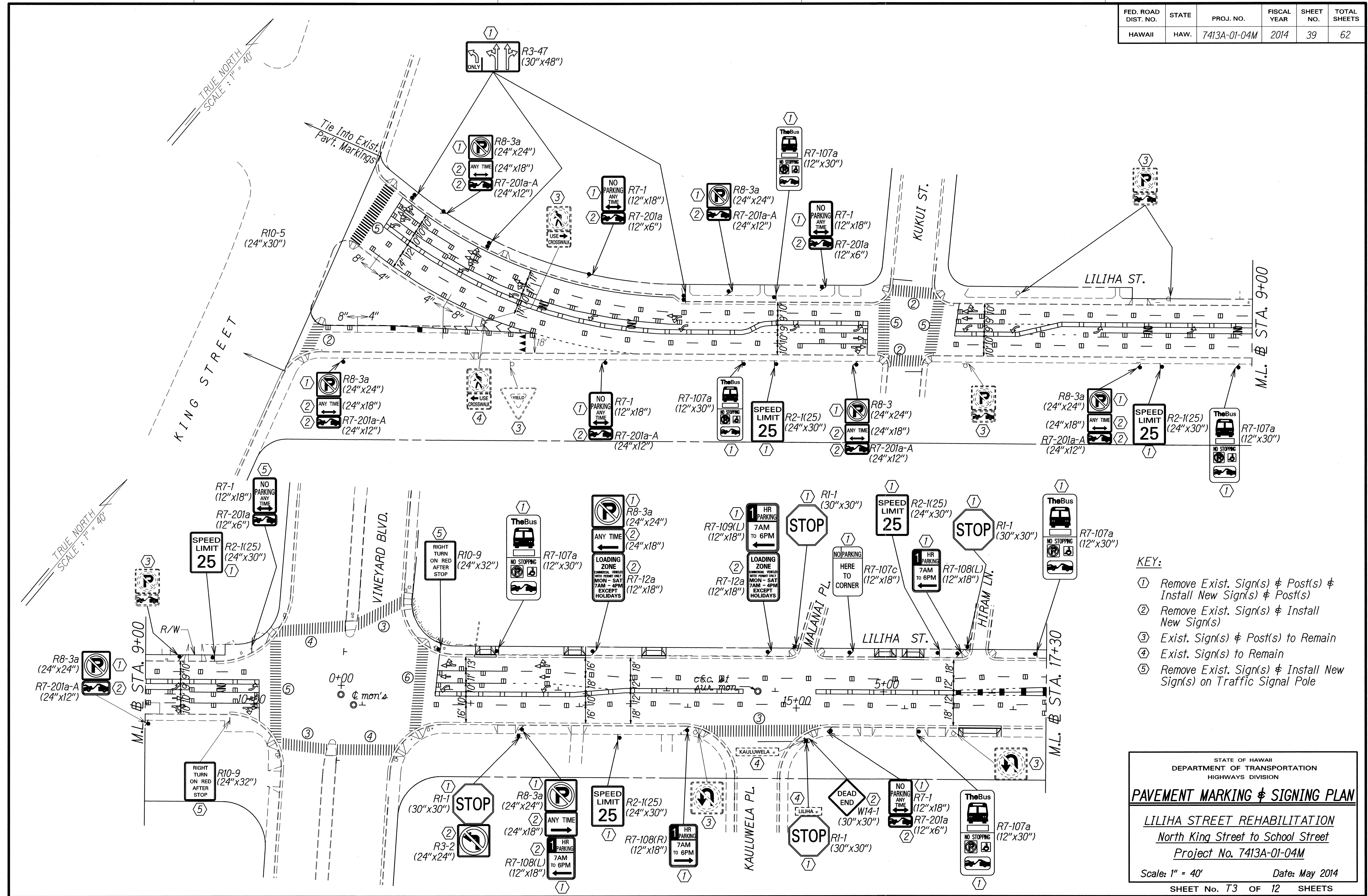






FED. ROAD DIST. NO.	STATE	PROJ. NO.	FISCAL YEAR	SHEET NO.	TOTAL SHEETS
HAWAII	HAW.	7413A-01-04M	2014	39	62



- KEY:**
- ① Remove Exist. Sign(s) & Post(s) & Install New Sign(s) & Post(s)
  - ② Remove Exist. Sign(s) & Install New Sign(s)
  - ③ Exist. Sign(s) & Post(s) to Remain
  - ④ Exist. Sign(s) to Remain
  - ⑤ Remove Exist. Sign(s) & Install New Sign(s) on Traffic Signal Pole

DATE	.....
DESIGNED BY	.....
CHECKED BY	.....
NO. OF SHEETS	.....
NO. OF SHEETS	.....
NO. OF SHEETS	.....

STATE OF HAWAII  
DEPARTMENT OF TRANSPORTATION  
HIGHWAYS DIVISION

**PAVEMENT MARKING & SIGNING PLAN**

**LILIHA STREET REHABILITATION**  
North King Street to School Street  
Project No. 7413A-01-04M

Scale: 1" = 40'      Date: May 2014

SHEET No. T3 OF 12 SHEETS



Adjust angle of existing pedestrian signal head  
This work shall be done by City and County of Honolulu

Eradicate existing crosswalk and Restripe New Realigned Crosswalk

Demolish existing curb ramp and Reconstruct New Curb and Gutter and New Sidewalk flush with existing

Relocate existing pedestrian signal head and push button  
See Sheet No. 2  
This work shall be done by City and County of Honolulu

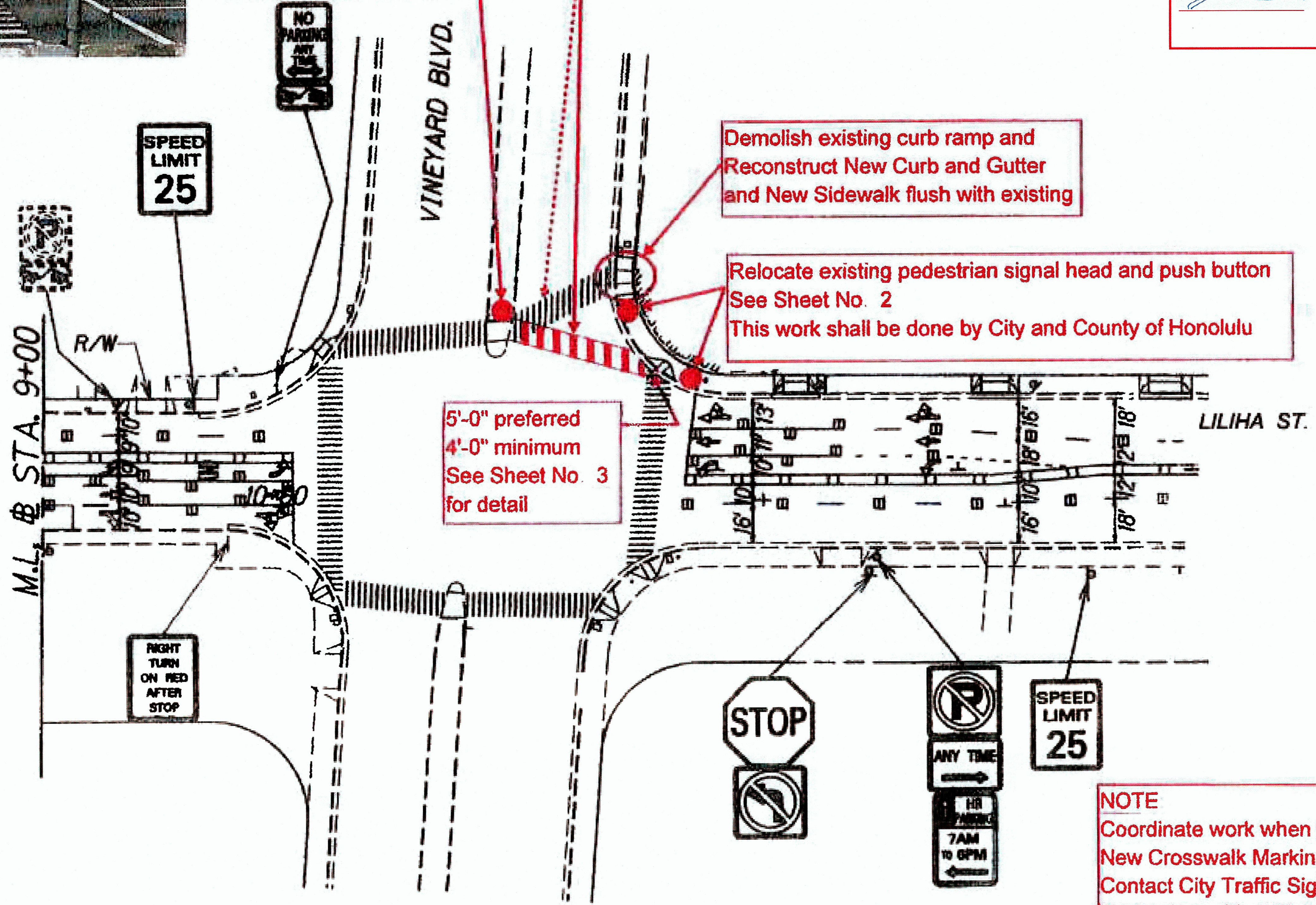
5'-0" preferred  
4'-0" minimum  
See Sheet No. 3 for detail

AS-BUILT DRAWINGS

This certifies that the dimensions and details shown on this sheet reflect the dimensions and details, and specifications as constructed in the field.

KAIKOR CONSTRUCTION CO., INC.

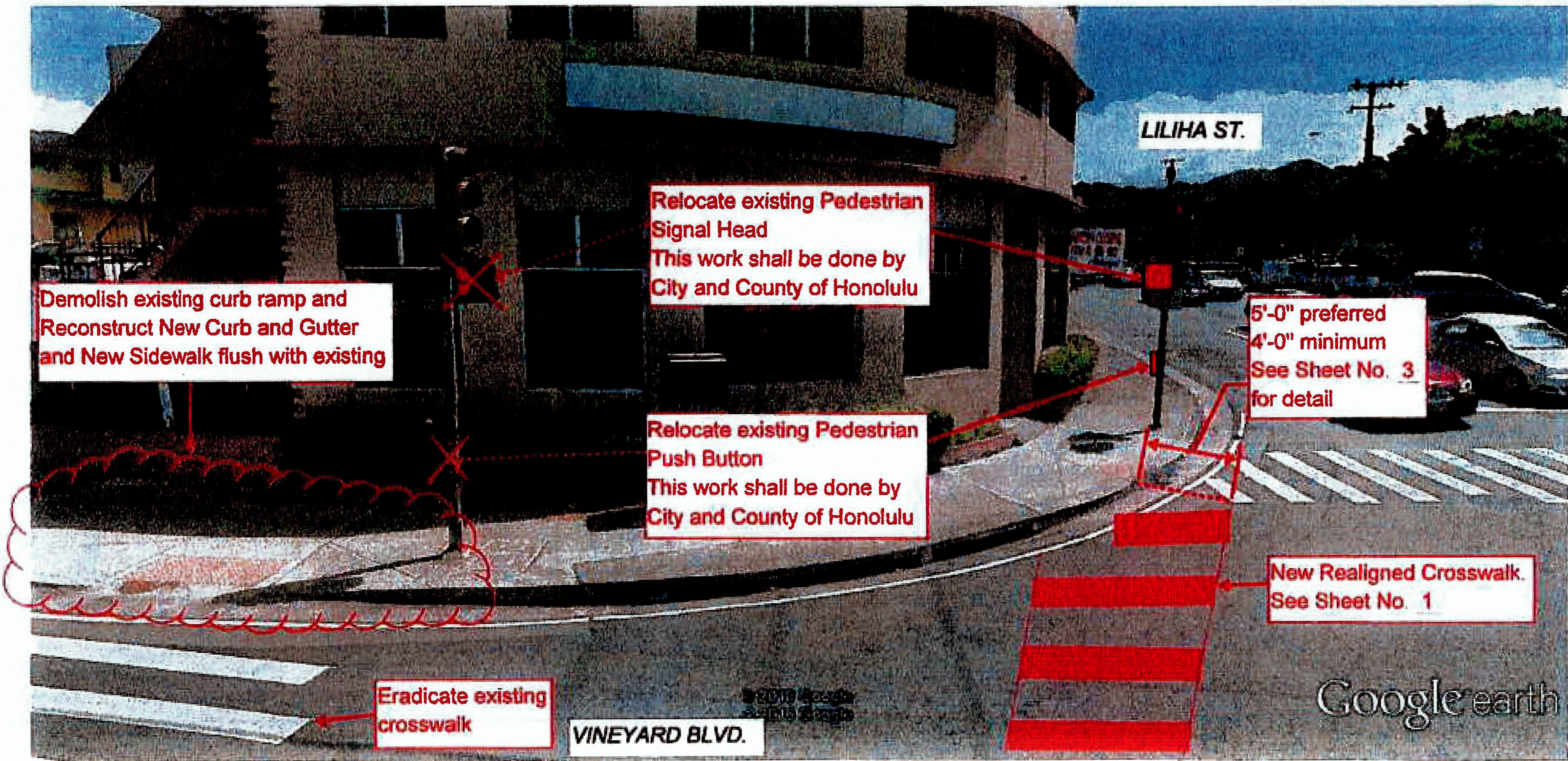
*Just Davis* DATE: 10/9/20



**NOTE**  
Coordinate work when installing New Crosswalk Markings  
Contact City Traffic Signal and Technology, Ph. 768-8388

CONTRACT CHANGE ORDER NO. 9

CONTRACT CHANGE ORDER NO. 4



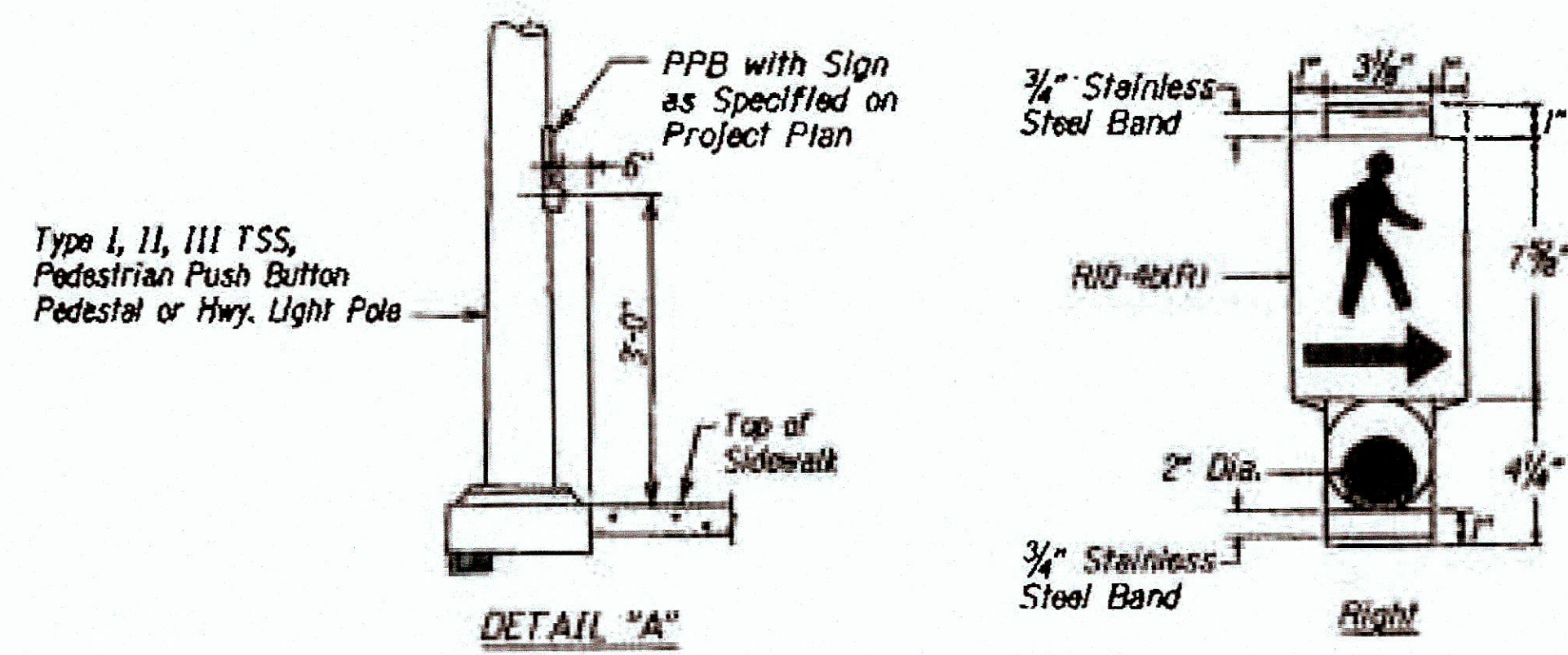
AS-BUILT DRAWINGS

This certifies that the dimensions and details shown on this sheet reflect the dimensions and details, and specifications as constructed in the field.

KAIKOR CONSTRUCTION CO., INC.

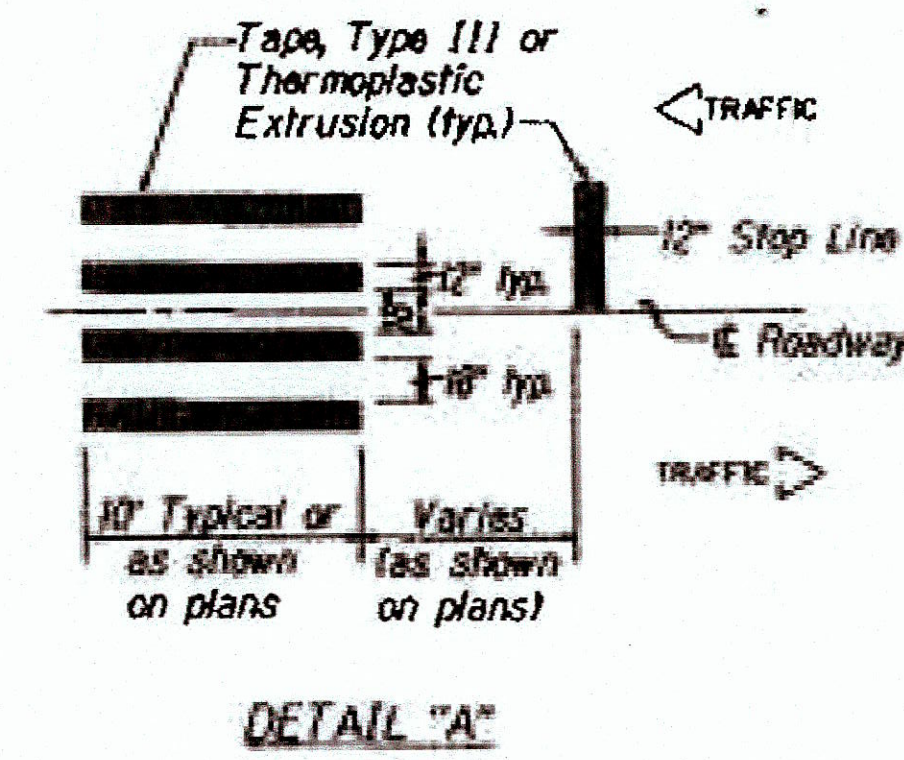
*Just Davis* DATE: 10/9/20

**NOTE:**  
 Coordinate work when installing  
 New Crosswalk Markings  
 Contact City Traffic Signal and  
 Technology, Ph 768-8388



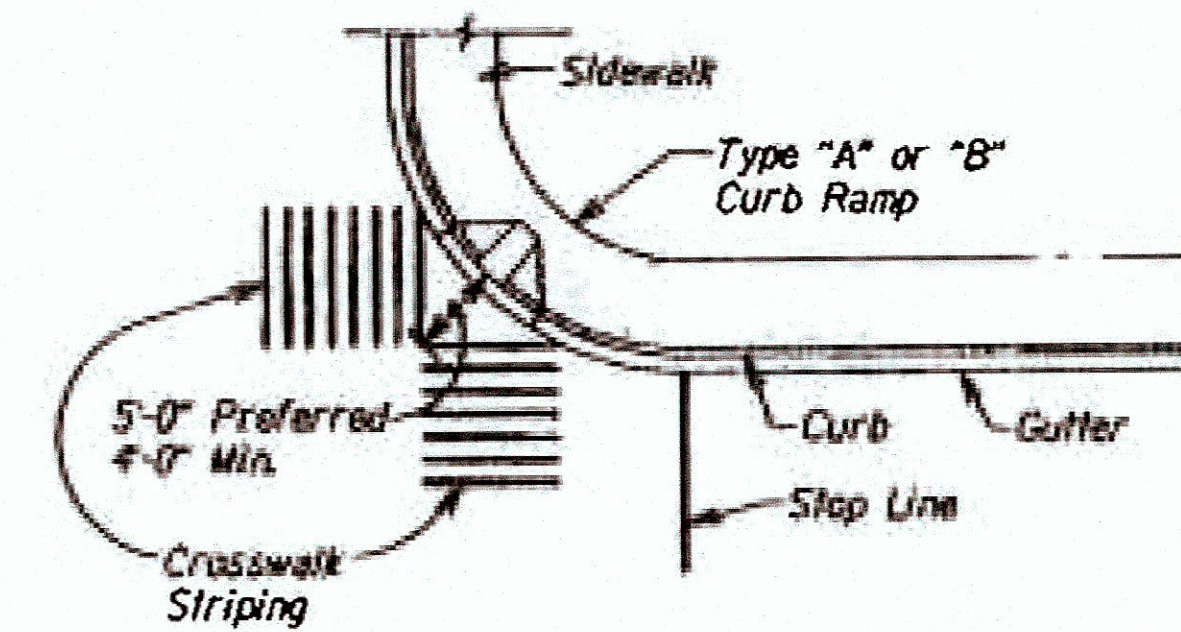
**PEDESTRIAN PUSH BUTTON WITH SIGN**

Man, Arrow & Push Button - White  
Background - Black



**CROSSWALK STRIPING DETAIL**

**NOTE:**  
Longitudinal lines shall be parallel to traffic flow.



**TYPICAL CROSSWALK STRIPING AT DIAGONAL CURB RAMP**

CONTRACT CHANGE ORDER NO. \_\_\_\_\_

2

CONTRACT CHANGE ORDER NO. \_\_\_\_\_

**AS-BUILT DRAWINGS**

This certifies that the dimensions and details shown on this sheet reflect the dimensions and details, and specifications as constructed in the field.

**KAIKOR CONSTRUCTION CO., INC.**

*Just Davis* DATE: 10/9/20

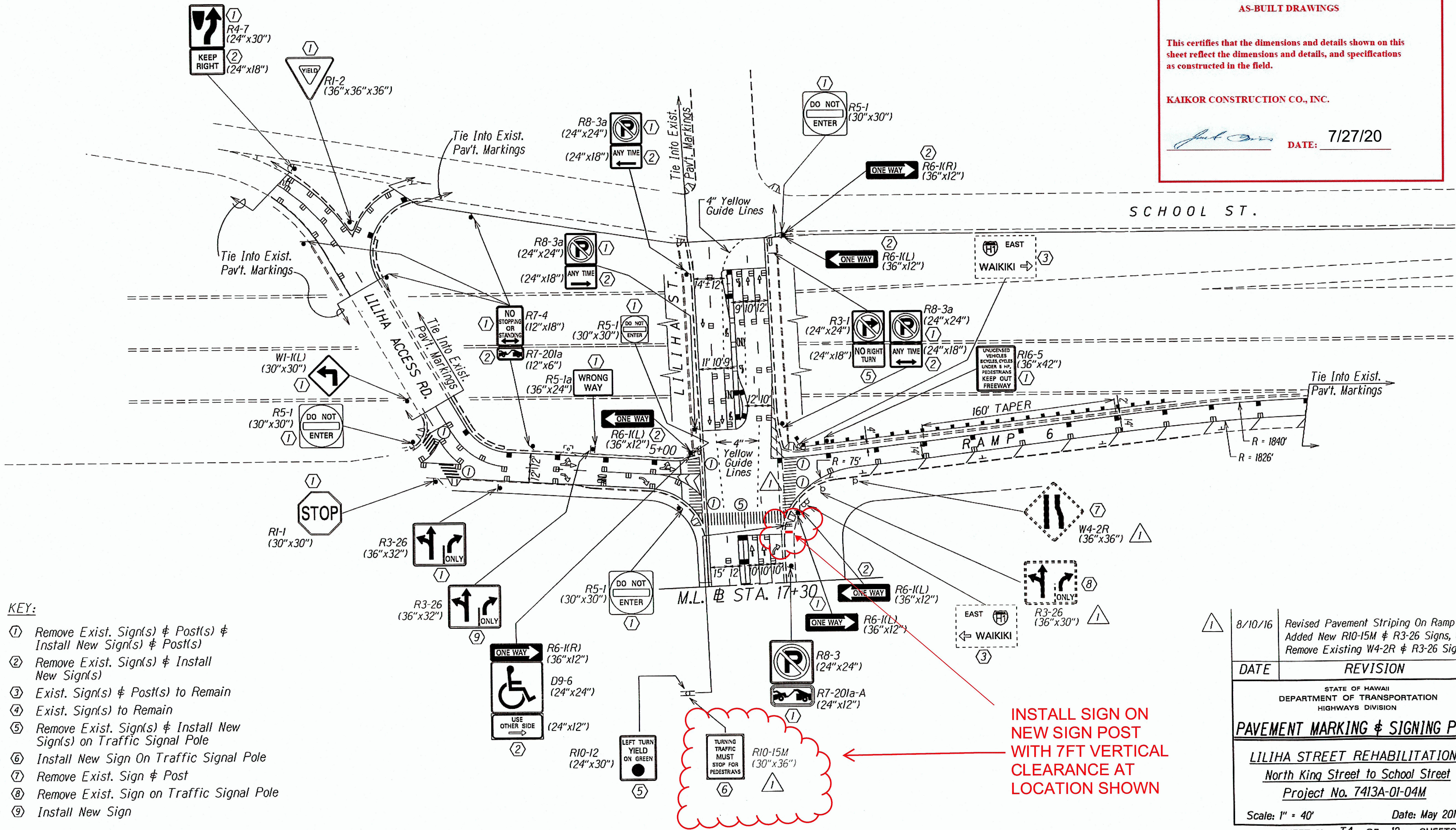
TRUE NORTH  
SCALE: 1" = 40'

**AS-BUILT DRAWINGS**

This certifies that the dimensions and details shown on this sheet reflect the dimensions and details, and specifications as constructed in the field.

**KAIKOR CONSTRUCTION CO., INC.**

DATE: 7/27/20



- KEY:**
- ① Remove Exist. Sign(s) & Post(s) & Install New Sign(s) & Post(s)
  - ② Remove Exist. Sign(s) & Install New Sign(s)
  - ③ Exist. Sign(s) & Post(s) to Remain
  - ④ Exist. Sign(s) to Remain
  - ⑤ Remove Exist. Sign(s) & Install New Sign(s) on Traffic Signal Pole
  - ⑥ Install New Sign on Traffic Signal Pole
  - ⑦ Remove Exist. Sign & Post
  - ⑧ Remove Exist. Sign on Traffic Signal Pole
  - ⑨ Install New Sign

**INSTALL SIGN ON NEW SIGN POST WITH 7FT VERTICAL CLEARANCE AT LOCATION SHOWN**

SURVEY PLOTTED BY: DATE: 8/13/2014  
 DRAWN BY: Michael Hawkins  
 CHECKED BY: C. CHOI  
 ORIGINAL PLAN: 12/13/2013  
 NOTE BOOK: 12/13/2013  
 QUANTITIES BY: 12/13/2013  
 CHECKED BY: 12/13/2013

①	8/10/16	Revised Pavement Striping On Ramp 6, Added New R10-15M & R3-26 Signs, and Remove Existing W4-2R & R3-26 Signs
DATE		REVISION
STATE OF HAWAII DEPARTMENT OF TRANSPORTATION HIGHWAYS DIVISION		
<b>PAVEMENT MARKING &amp; SIGNING PLAN</b>		
LILIHA STREET REHABILITATION North King Street to School Street Project No. 7413A-01-04M		
Scale: 1" = 40'		Date: May 2014
SHEET No. T4 OF 12 SHEETS		

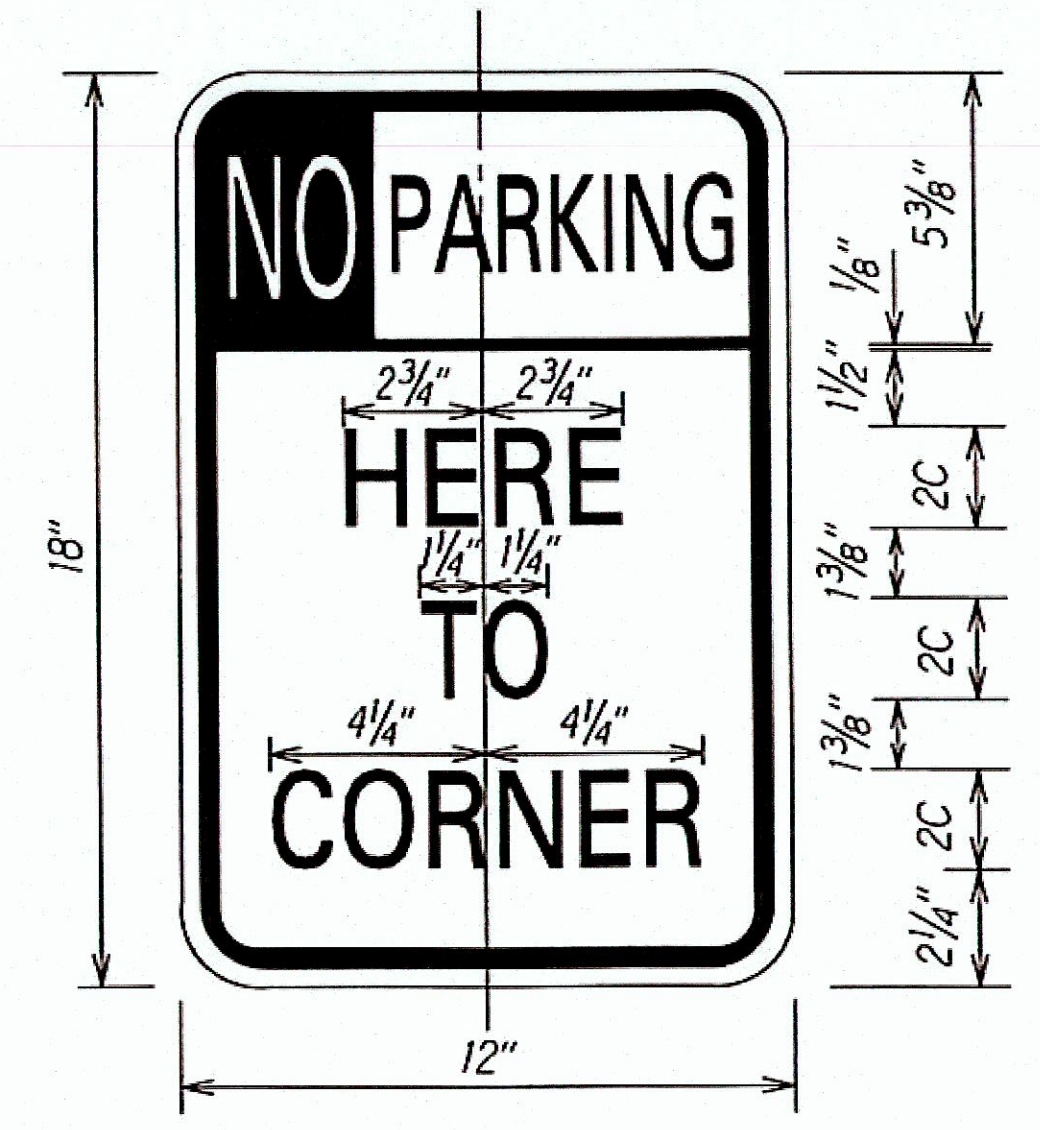
**"AS-BUILT"**

**C.O. 40**

FED. ROAD DIST. NO.	STATE	PROJ. NO.	FISCAL YEAR	SHEET NO.	TOTAL SHEETS
HAWAII	HAW.	7413A-01-04M	2014	C.O.41	62



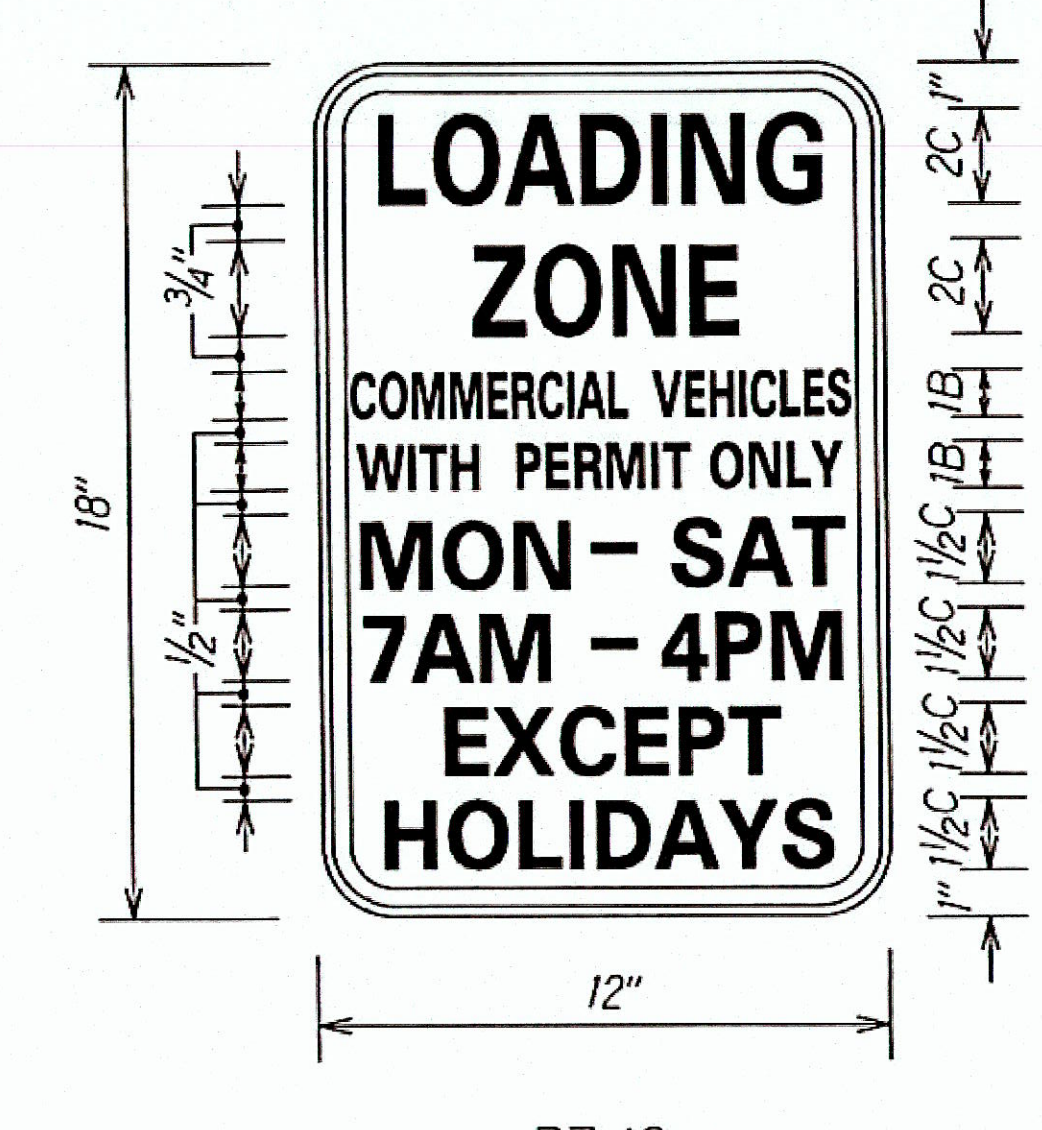
R7-108(L)\*\*



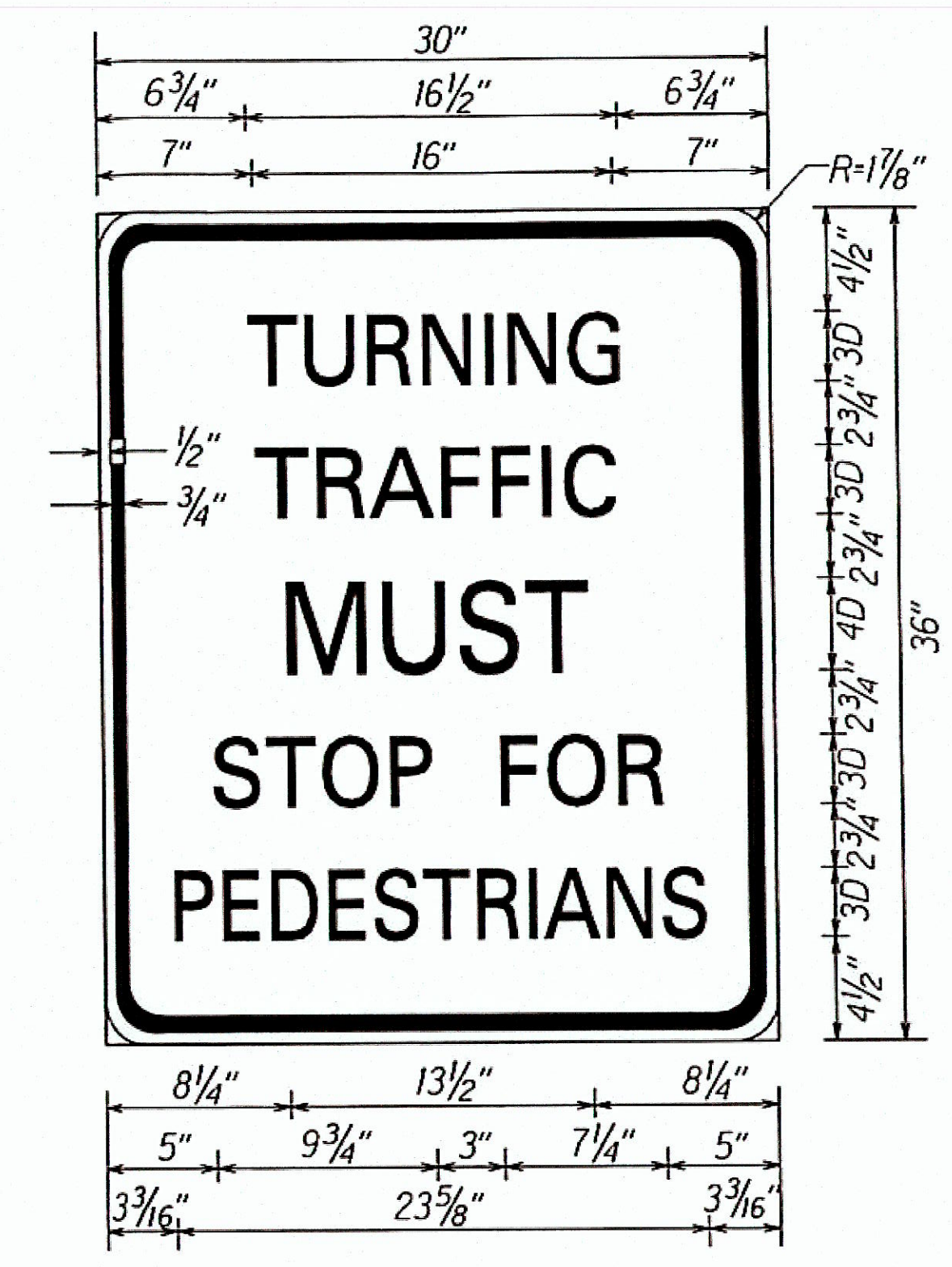
R7-107c\*



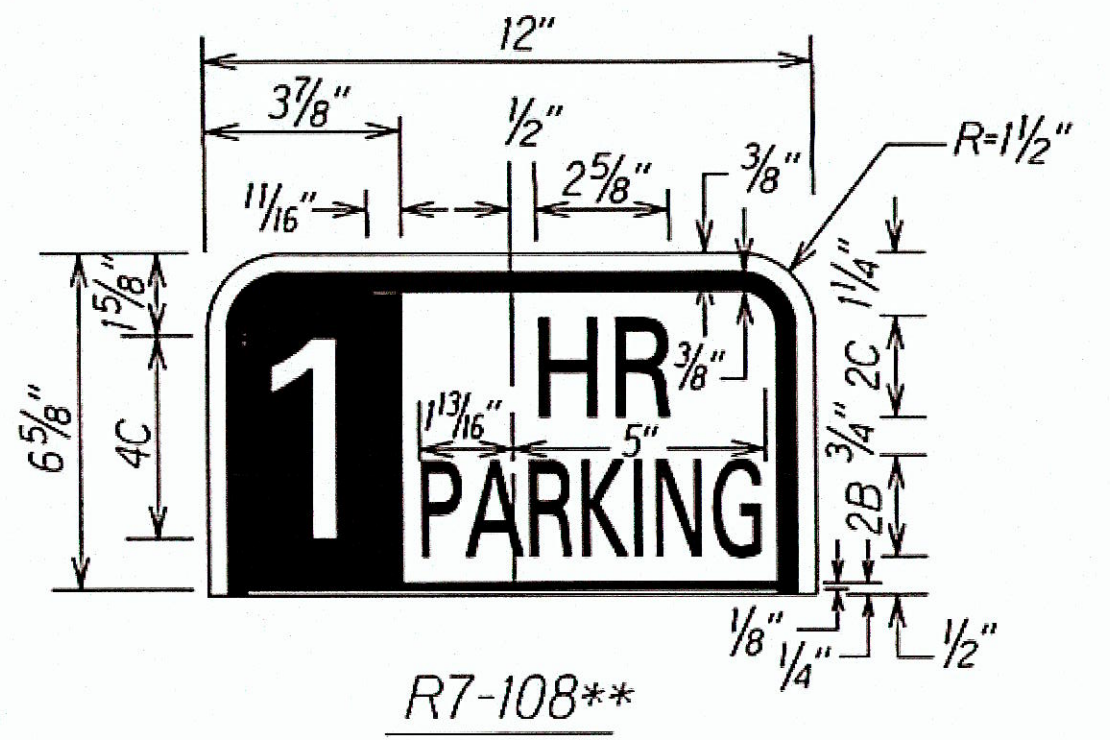
R7-107d\*



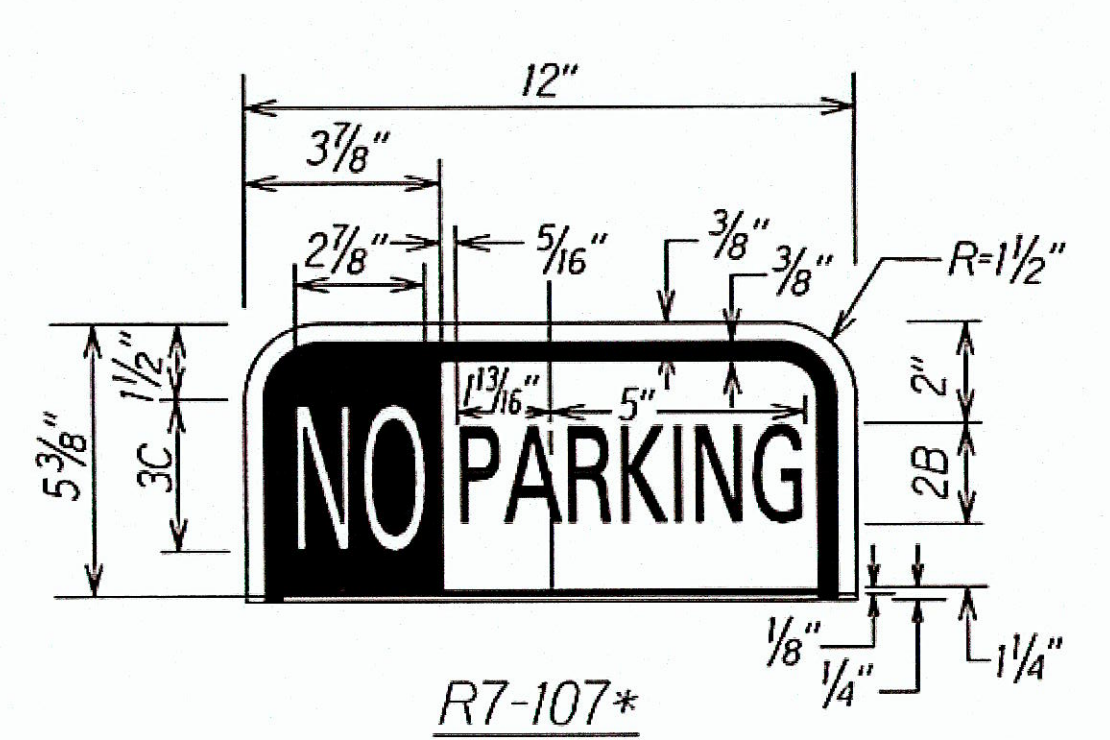
R7-12a\*



R10-15M  
Colors: Black on White



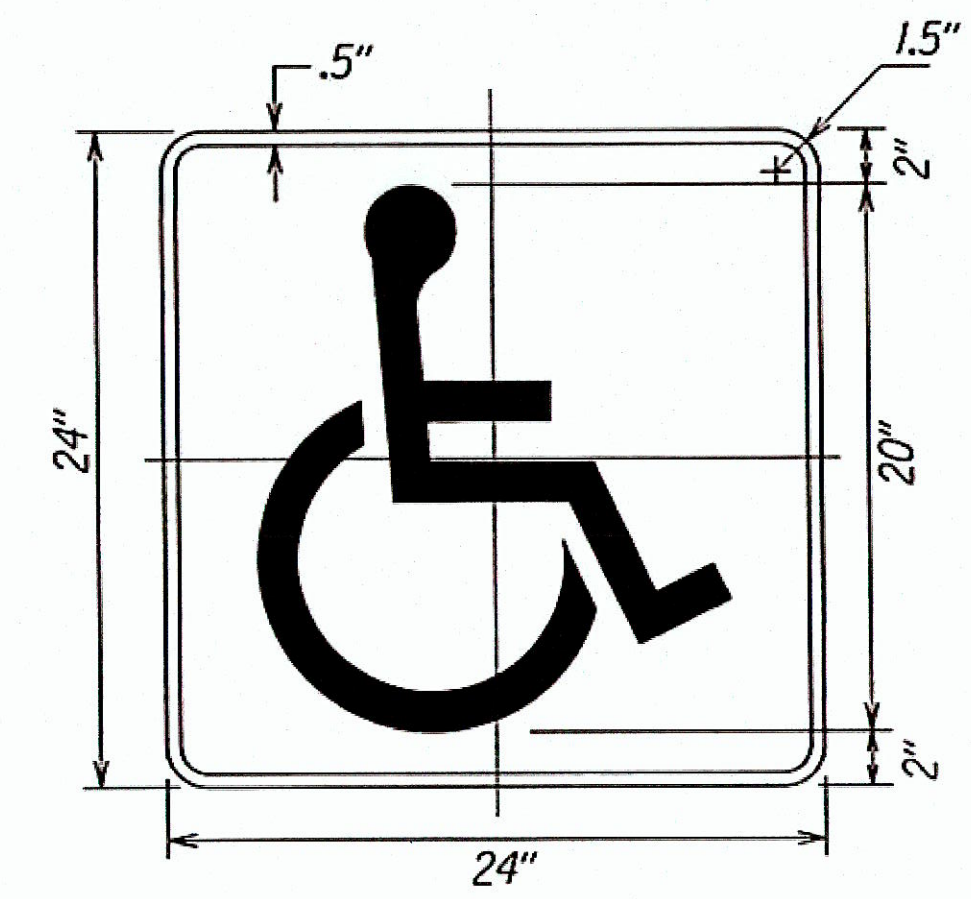
R7-108\*\*



R7-107\*

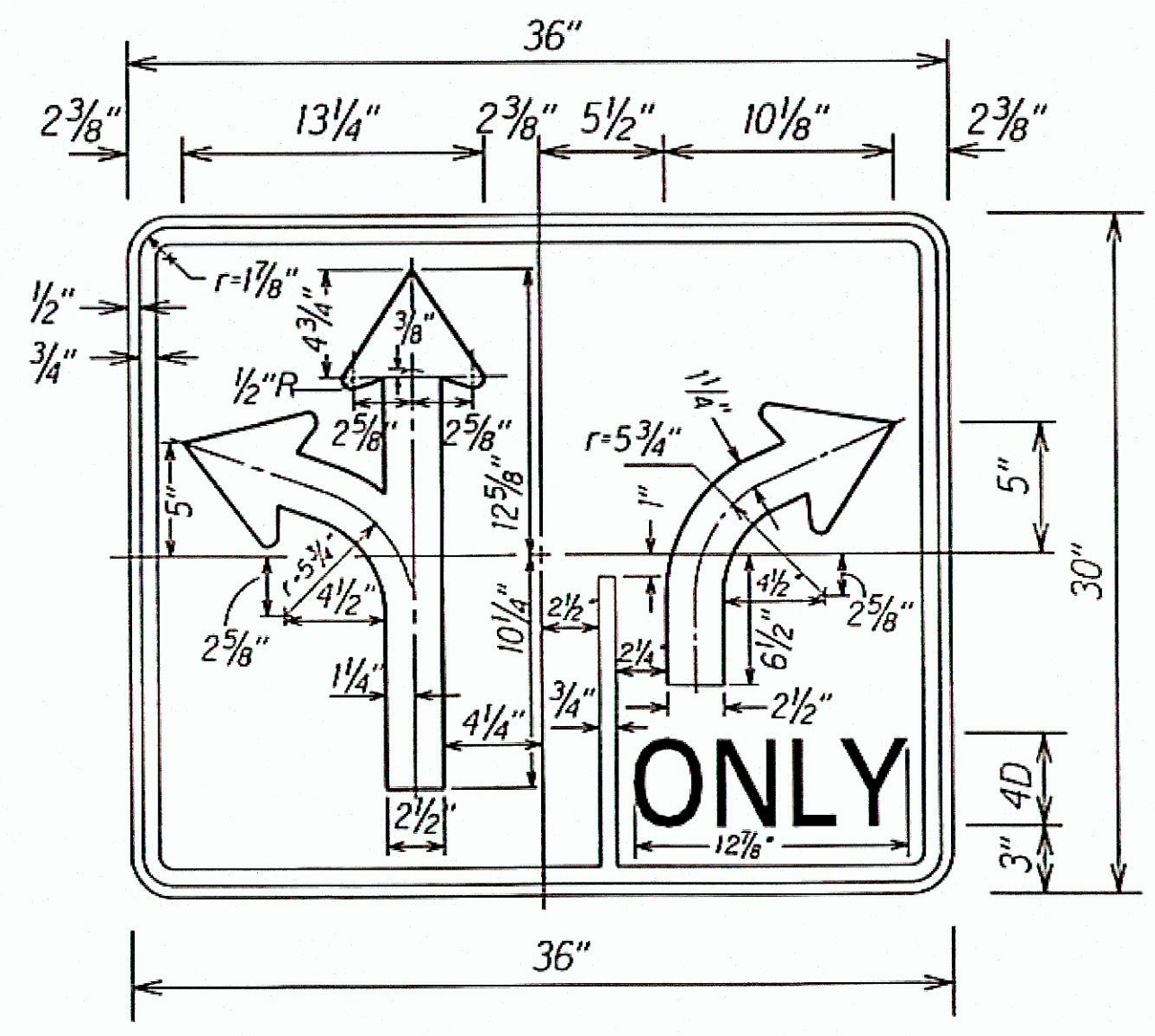
\* COLORS:  
LEGEND - RED  
BACKGROUND - WHITE

\*\* COLORS:  
LEGEND - GREEN  
BACKGROUND - WHITE

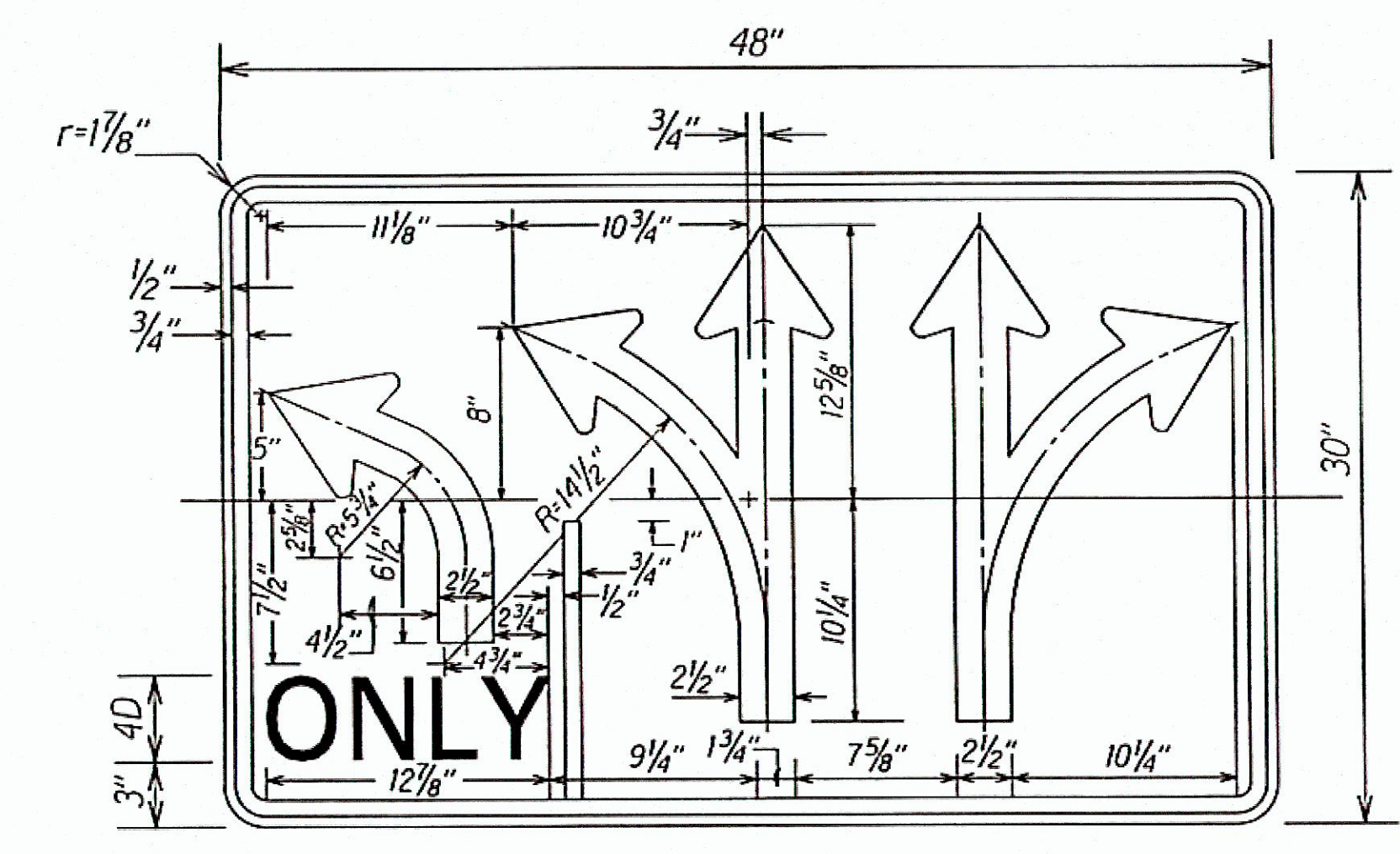


D9-6  
Not to Scale

LEGEND & BORDER: White (Reflectorized)  
BACKGROUND: Blue



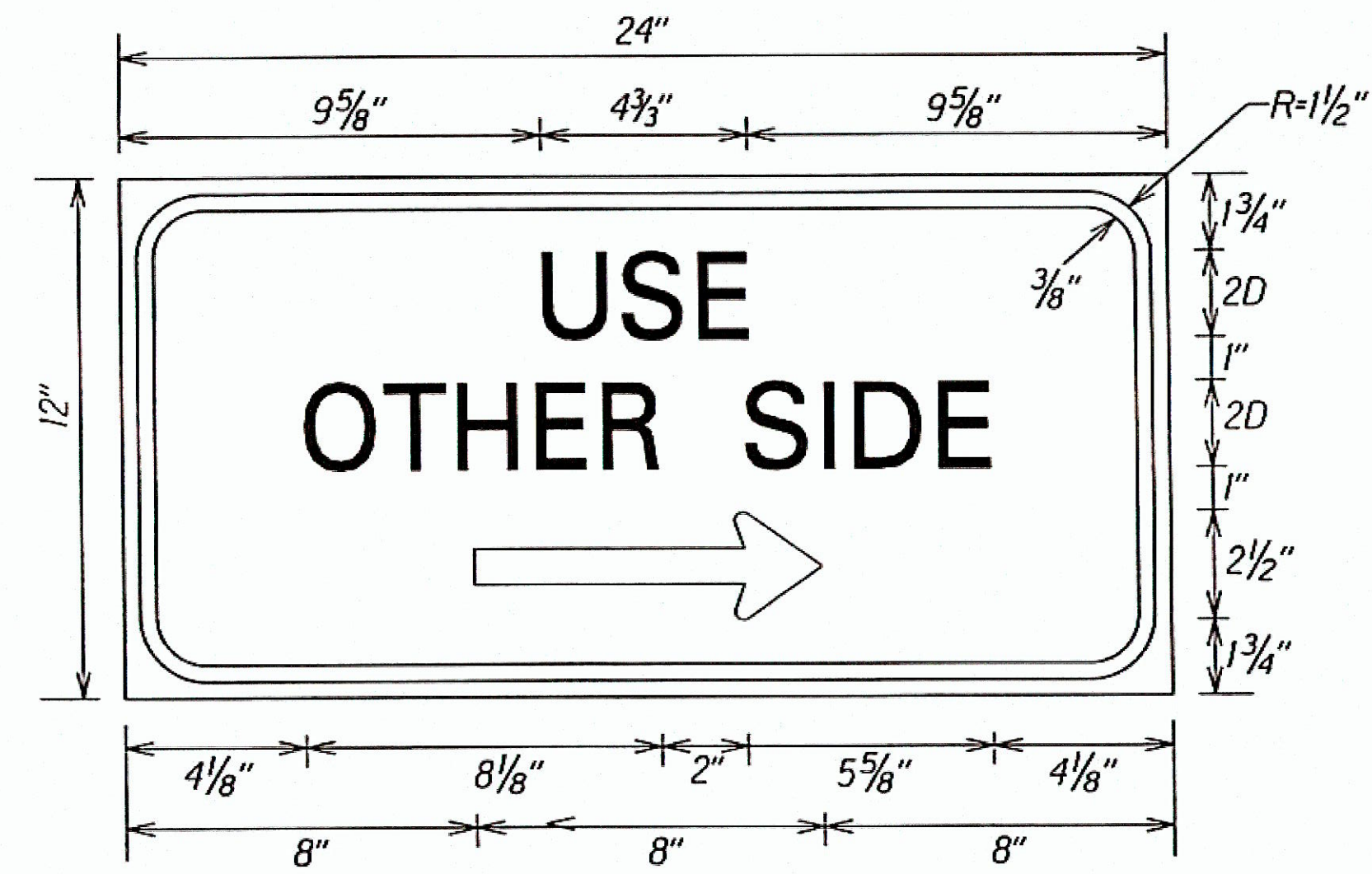
R3-26



R3-47

COLORS: LEGEND - BLACK (NON-REFL)  
BACKGROUND - WHITE (REFL)

Sign R3-47 is a variation of Sign R3-8.  
Plate and arrow details shall conform to Sign R3-8.



COLORS: White on Blue

**AS-BUILT DRAWINGS**

This certifies that the dimensions and details shown on this sheet reflect the dimensions and details, and specifications as constructed in the field.

**KAIKOR CONSTRUCTION CO., INC.**

DATE: 7/27/20

8/10/16	Added R10-15M Sign Detail
DATE	REVISION
STATE OF HAWAII DEPARTMENT OF TRANSPORTATION HIGHWAYS DIVISION	
<b>MISCELLANEOUS SIGN DETAILS</b>	
LILIHA STREET REHABILITATION North King Street to School Street Project No. 7413A-01-04M	
Not to Scale	Date: May 2014
SHEET No. 75 OF 12 SHEETS	

DESIGNED BY	DATE
CHECKED BY	
QUANTITIES BY	
NOTED BY	
PLANNED BY	
ORIGINAL PLAN	