

FED. ROAD DIST. NO.	STATE	PROJ. NO.	FISCAL YEAR	SHEET NO.	TOTAL SHEETS
HAWAII	HAW.	7241A-01-88M	1988	10	14

**LEGEND**

4 each Type A Raised Pavement Markers  
Type CL Raised Pavement Markers @ 40'-0" o.c.

4 each Type J Raised Pavement Markers  
Type DL Raised Pavement Markers @ 40'-0" o.c.

8" White Stripe with Type CL Raised Pavement Markers @ 20'-0" o.c. (Tape - Type I)

4" Double Solid Yellow Stripes with Type DL Raised Pavement Markers @ 20'-0" o.c. (Tape - Type I)

4" Double Solid Yellow Stripes with Type HL Raised Pavement Markers @ 20'-0" o.c.

4" Yellow Edge Stripe with Type HL Raised Pavement Markers @ 40'-0" o.c. (Tape - Type II or Thermoplastic Extrusion)

4" Double Solid White Stripes with Type CL Raised Pavement Markers @ 20'-0" o.c.

Lane Change Restriction Marking  
4 each Type A Raised Pavement Markers  
Type CL Raised Pavement Markers @ 20'-0" o.c.  
4" White Stripe (Tape - Type I)

4" White Edge Stripe or as noted (Tape - Type II or Thermoplastic Extrusion)

4" White or Yellow Guide Lines (Thermoplastic Extrusion)

Transverse Median Marking (Tape - Type II or Thermoplastic Extrusion)

Transverse Shoulder Marking (Tape - Type I)

Channelizing Island or Deceleration Lane Gore (Tape - Type I)

Crosswalk and Stop Line. All Stop Lines shall be 10'-0" from Crosswalk unless otherwise noted. The circled number indicates the number of lanes for payment. (Thermoplastic Extrusion)

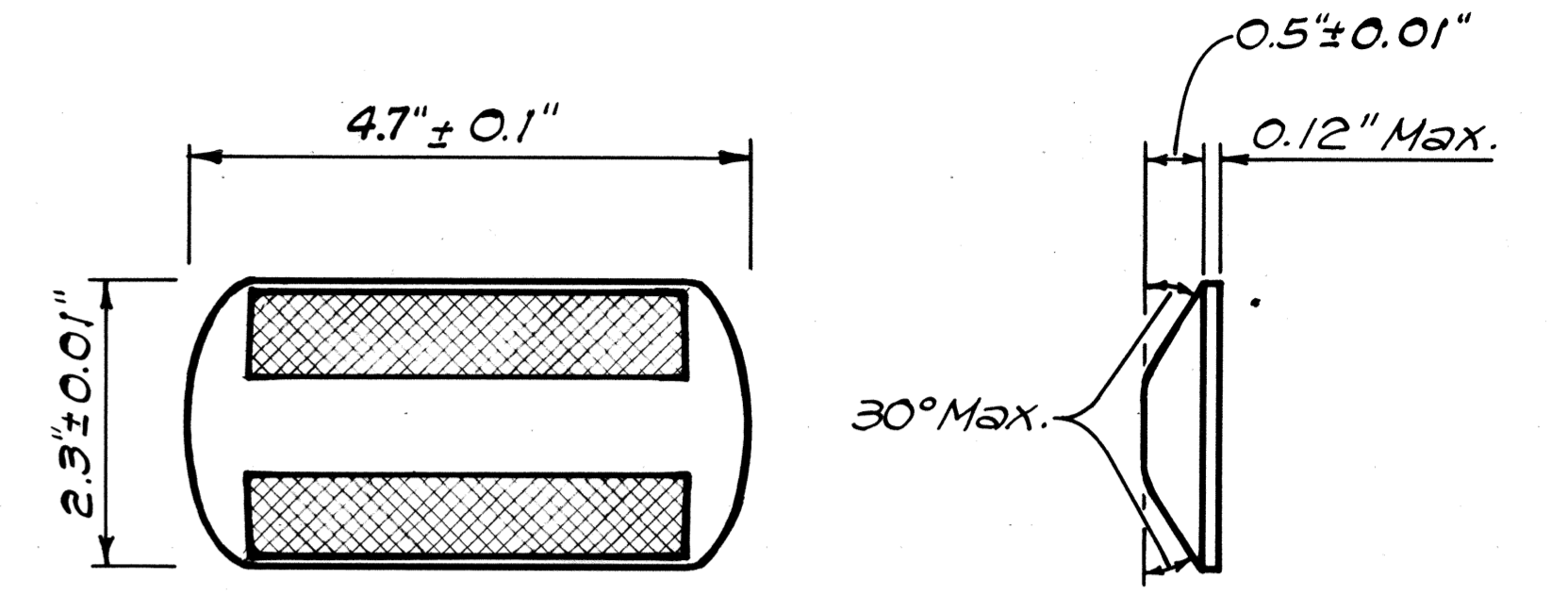
Pavement Arrow (Tape - Type I)

**STOP** Pavement Word (Tape - Type I)

4 each Type J Raised Pavement Markers  
Type HL Raised Pavement Marker @ 40'-0" o.c.  
Type DL Raised Pavement Marker @ 40'-0" o.c.  
4" Yellow Stripe (Tape - Type I)

**NOTES**

- Layout of pavement markings and striping shall be done by the Contractor and approved by the Engineer prior to any installation work.
- Existing pavement markings not incorporated in the final traffic pattern shall be removed as directed by the Engineer. Costs shall be incidental to the various pavement marking items.
- Raised pavement markers shall not be installed within crosswalks.
- Details of Type C, Type D and Type H Markers on Standard Plan Nos. TE-30, TE-31 and TE-32 shall be deleted and replaced with details of Type CL, Type DL and Type HL Markers as shown on this sheet. All references to Type C, Type D and Type H Markers in the plans shall mean Type CL, Type DL and Type HL Markers.
- Final locations of all signs shall be approved by the Engineer prior to any installation work.



**TYPE CL**  
Red-Clear Reflective Marker  
or  
**TYPE DL**  
Two-Way Yellow Reflective Marker  
or  
**TYPE HL**  
One-Way Yellow Reflective Marker  
Not to Scale

DATE	_____
DESIGNED BY	_____
CHECKED BY	_____
TRACED BY	_____
DESIGNED BY	_____
QUANTITIES BY	_____
CHECKED BY	_____
NO.	_____

STATE OF HAWAII  
DEPARTMENT OF TRANSPORTATION  
HIGHWAYS DIVISION

**TRAFFIC NOTES**  
**LEGEND & DETAIL**

HALAWA HEIGHTS RD. RESURFACING  
MOANALUA RD. O.P TO CAMP SMITH  
PROJECT NO. 7241A-01-88M  
Scale: As Shown Date: March, 1988  
SHEET NO. 11 OF 5 SHEETS

FED. ROAD DIST. NO.	STATE	PROJ. NO.	FISCAL YEAR	SHEET NO.	TOTAL SHEETS
HAWAII	HAW.	7241A-01-88M	1988	11	14

Install New  
**END CONSTRUCTION**  
CG20-2 w/Posts

True North  
Scale: 1"=40'

4" White Guide Line  
(Thermoplastic Extrusion)

8" Solid White Guide Line  
(Thermoplastic Extrusion)

Tie into Existing Markings

Install New

Note:  
Existing W1-8's to Remain



W1A-2 w/Post

W11-2 w/Post

Flexible Delineator Post-  
Type A (1 ea.)

MOANALUA ROAD

Tie into Existing Markings

Tie into Existing Markings

Remove Existing



W11-2 w/Post



Sign w/Post

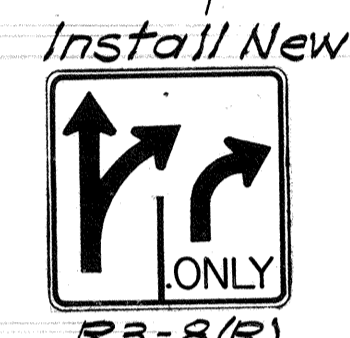


W1A-2 w/Post



RIGHT LANE MUST TURN RIGHT

R3-7(R) w/Post



R3-8(R) ONLY

R3-8(R) w/Post

Install New



R2-1(25) w/Post

Remove Existing



Sign w/Post



CW20-1d w/Post

Restripe Bridge Deck (CCO.1)

True North  
Scale: 1"=40'

Remove Existing S2-1 & Install New



S1-1 w/Post

Remove Existing Sign & Install New



R2-1(30) w/Post

M.L. # STA. 125+00

Continue Markings

130

Continue Markings

Remove Existing Sign & Install New



R2-1(30) w/Post

Remove Existing S2-1 & Install New



S1-1 w/Post

IWAHANA STREET

M.L. # STA. 136+00

STATE OF HAWAII  
DEPARTMENT OF TRANSPORTATION  
HIGHWAYS DIVISION

**SIGNING AND PAVEMENT MARKING PLAN**

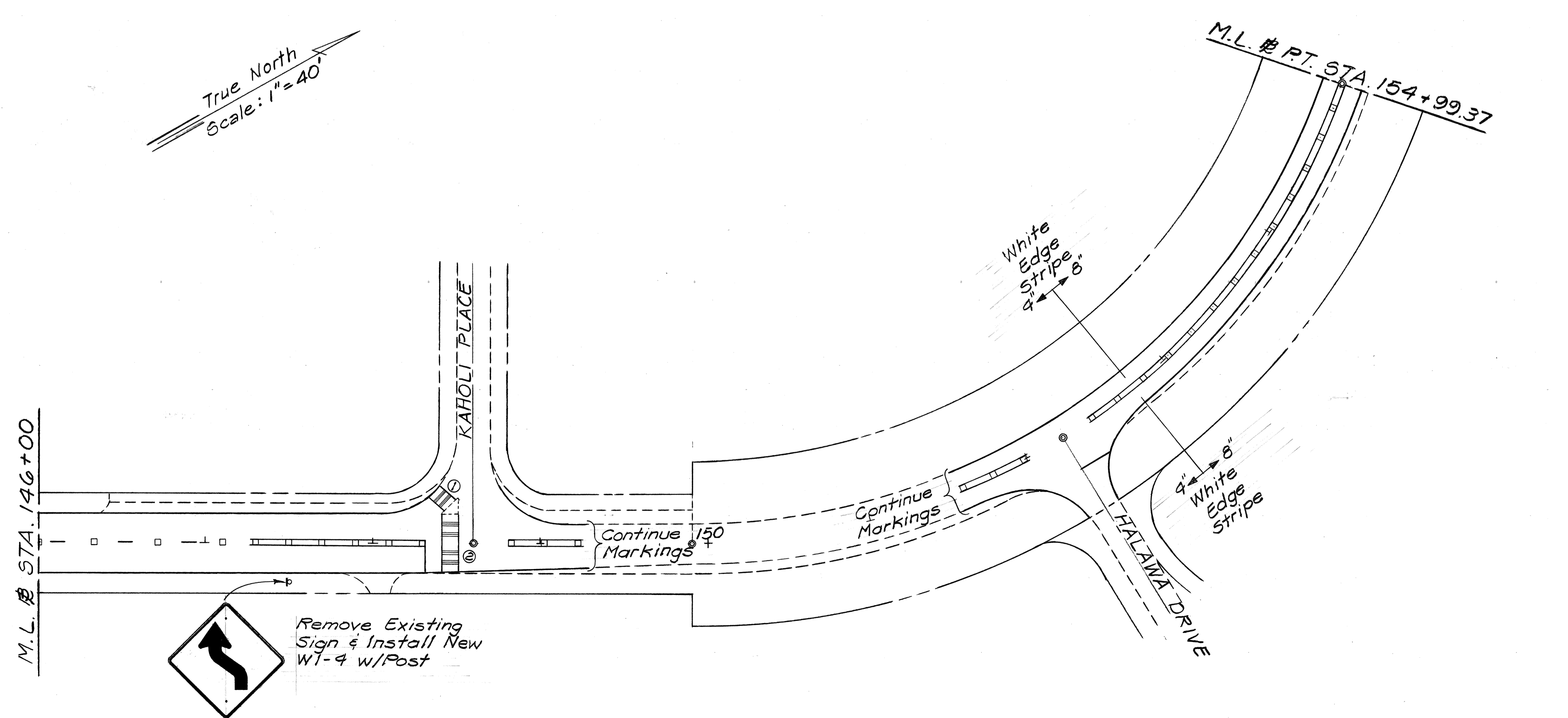
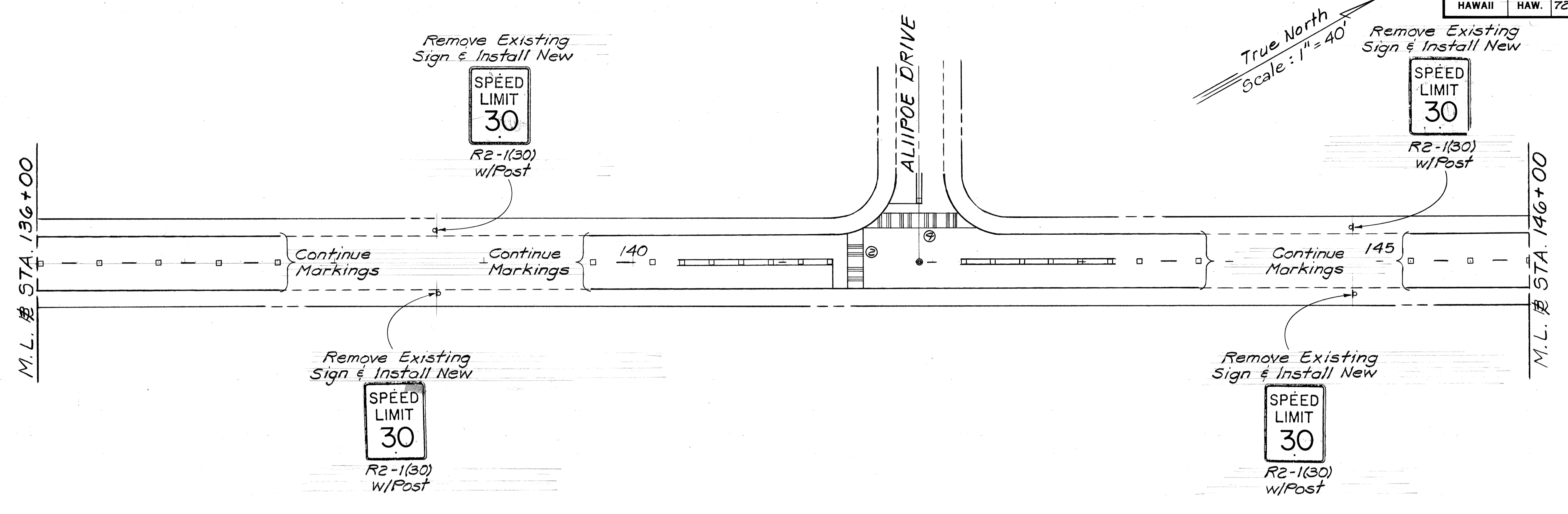
HALAWA HEIGHTS RD. RESURFACING  
MOANALUA RD. O.P. TO CAMP SMITH  
PROJECT NO. 7241A-01-88M

Scale: As Shown Date: March, 1988

SHEET NO. 72 OF 5 SHEETS

SURVEY PLOTTED BY	DATE
DRAWN BY	
DESIGNED BY	
QUANTITIES BY	
CHECKED BY	
ORIGINAL PLAN No.	
NOTE BOOK No.	

FED. ROAD DIST. NO.	STATE	PROJ. NO.	FISCAL YEAR	SHEET NO.	TOTAL SHEETS
HAWAII	HAW.	7241A-01-88M	1988	12	14



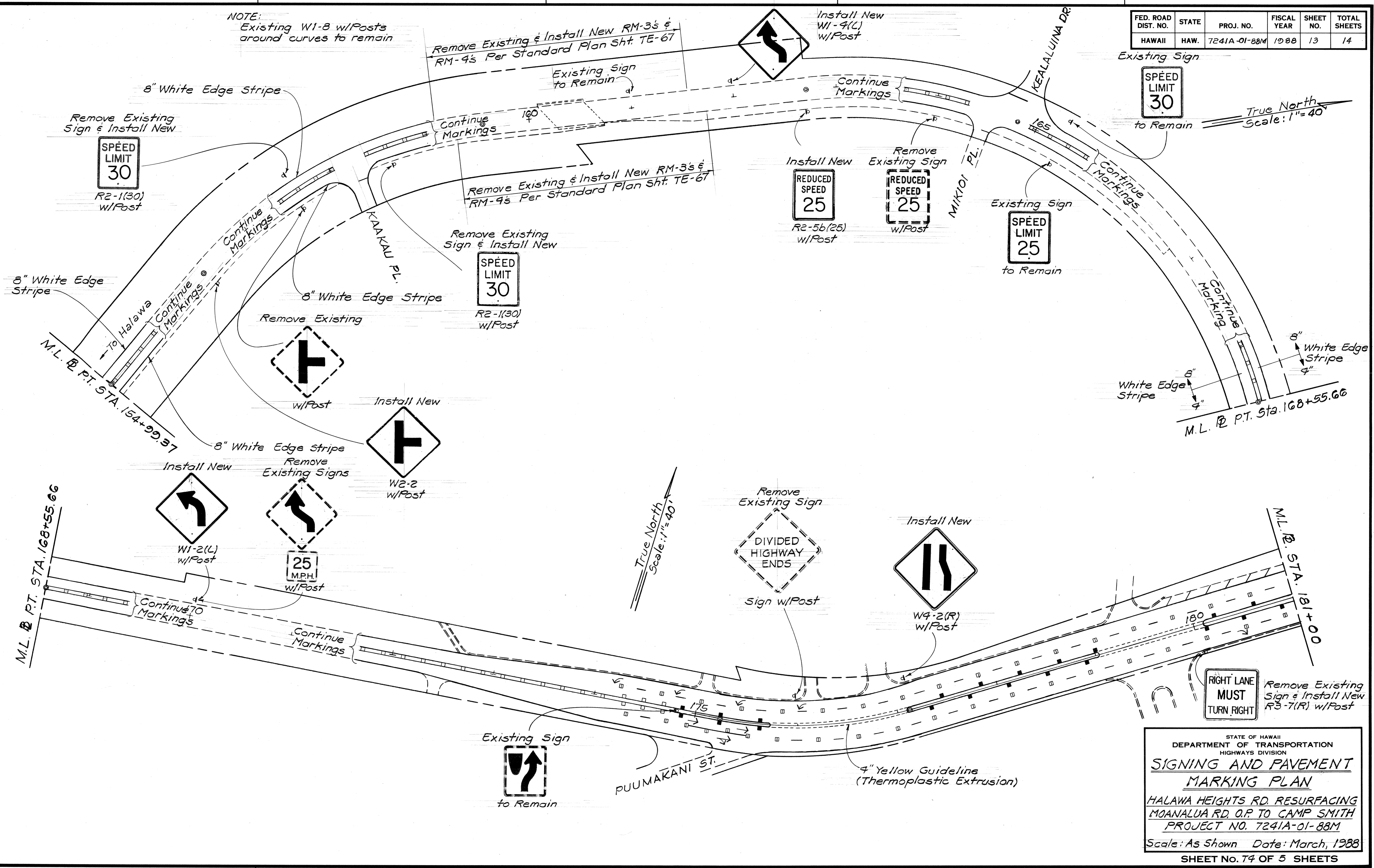
SURVEY PLOTTED BY	DATE
DRAWN BY	
TRACED BY	
QUANTITIES BY	
CHECKED BY	
ORIGINAL PLAN No.	



STATE OF HAWAII  
DEPARTMENT OF TRANSPORTATION  
HIGHWAYS DIVISION  
**SIGNING AND PAVEMENT MARKING PLAN**  
HALAWA HEIGHTS RD. RESURFACING  
MOANALUA RD. O.P. TO CAMP SMITH  
PROJECT NO. 7241A-01-88M  
Scale: As Shown Date: March, 1988  
SHEET NO. 73 OF 5 SHEETS

FED. ROAD DIST. NO.	STATE	PROJ. NO.	FISCAL YEAR	SHEET NO.	TOTAL SHEETS
HAWAII	HAW.	7241A-01-88M	1988	13	14

NOTE:  
Existing W1-8 w/Post's  
around curves to remain



SURVEY PLOTTED BY	DATE
DRAWN BY	
DESIGNED BY	
QUANTITIES BY	
CHECKED BY	
ORIGINAL PLAN NO.	
NOTE BOOK NO.	

STATE OF HAWAII  
DEPARTMENT OF TRANSPORTATION  
HIGHWAYS DIVISION

### SIGNING AND PAVEMENT MARKING PLAN

HALAWA HEIGHTS RD. RESURFACING  
MOANALUA RD. O.P. TO CAMP SMITH  
PROJECT NO. 7241A-01-88M

Scale: As Shown Date: March, 1988  
SHEET No. 13 OF 5 SHEETS

FED. ROAD DIST. NO.	STATE	PROJ. NO.	FISCAL YEAR	SHEET NO.	TOTAL SHEETS
HAWAII	HAW.	7241A-01-88M	1988	14	14

Remove Existing Signs & Install New

NOTE:  
Existing "NO PARKING ANYTIME - TOW AWAY ZONE" Signs w/Posts to Remain.

True North  
Scale: 1" = 40'

SPEED LIMIT  
25  
R2-1(25)  
NO PARKING  
BUS STOP  
R7-107(R)  
w/Post

Install New  
ROAD CONSTRUCTION AHEAD  
CW20-1d w/Posts

FERNRIDGE PL.

500±  
END OF PROJECT NO 7241A-01-88M  
P.C. @ STA. 192 + 88.33  
500±

M.L. @ STA. 181 + 00

Existing Sign  
to Remain

To CAMP H.M. SMITH

Continue Markings  
Continue Markings

GATE 2

Install New  
END CONSTRUCTION  
CG20-2 w/Post

ORIGINAL PLAN	DATE
DESIGNED BY	
NOTED BY	
CHECKED BY	
NO.	

STATE OF HAWAII  
DEPARTMENT OF TRANSPORTATION  
HIGHWAYS DIVISION

**SIGNING AND PAVEMENT MARKING PLAN**

HALAWA HEIGHTS RD. RESURFACING  
MOANALUA RD. O.P. TO CAMP SMITH  
PROJECT NO. 7241A-01-88M

Scale: As Shown Date: March, 1988

SHEET NO. 75 OF 5 SHEETS