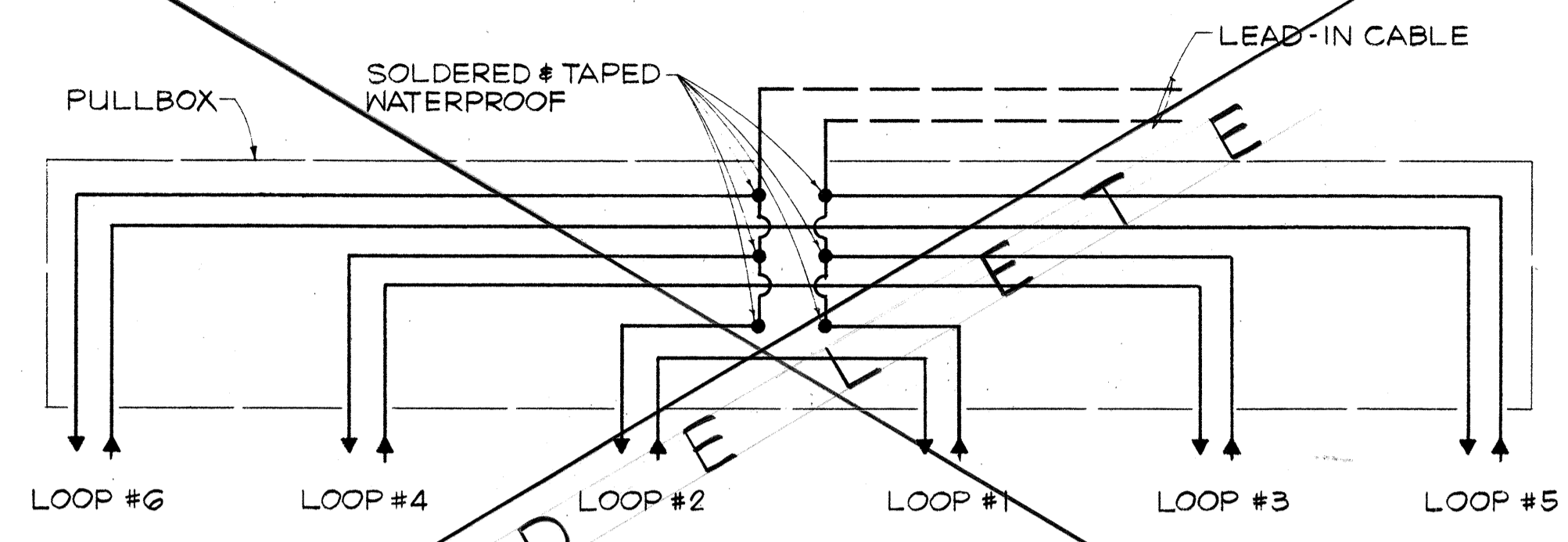
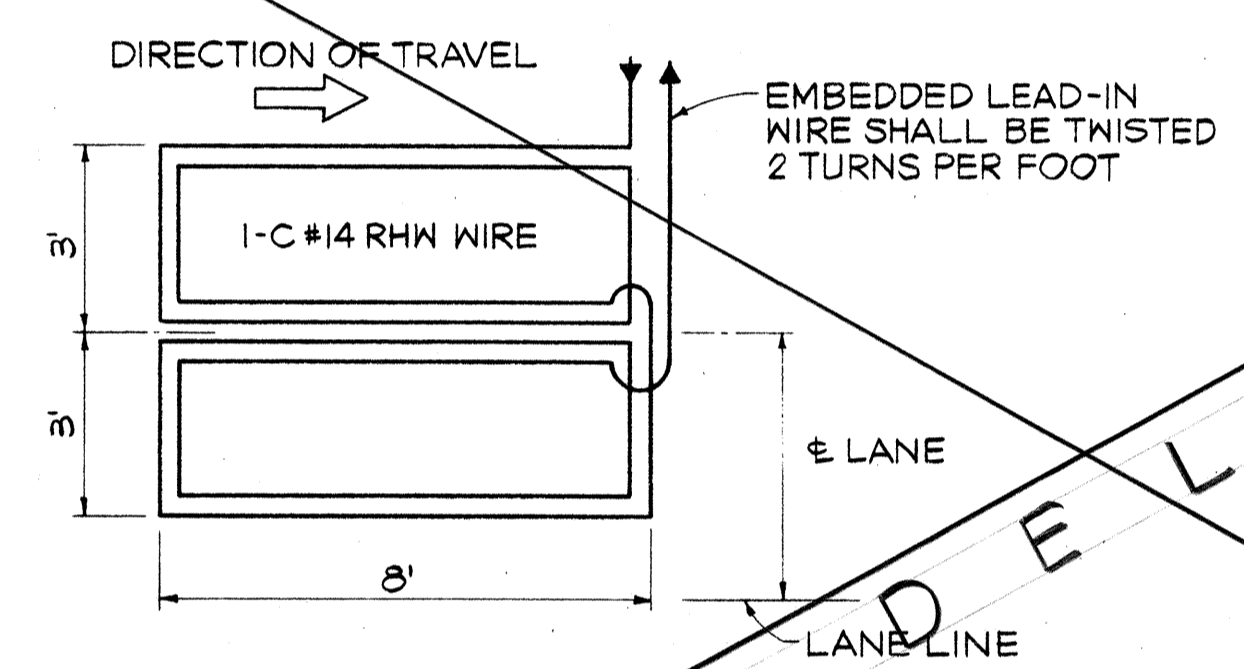


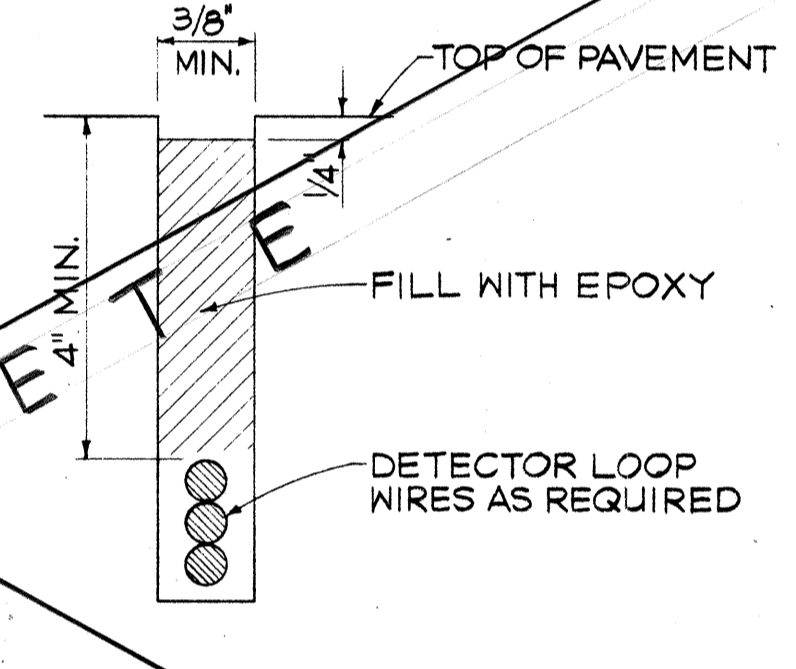
FED. ROAD DIST. NO.	STATE	PROJ. NO.	FISCAL YEAR	SHEET NO.	TOTAL SHEETS
HAWAII	HAW.	9000A-01-81	1981	5	20



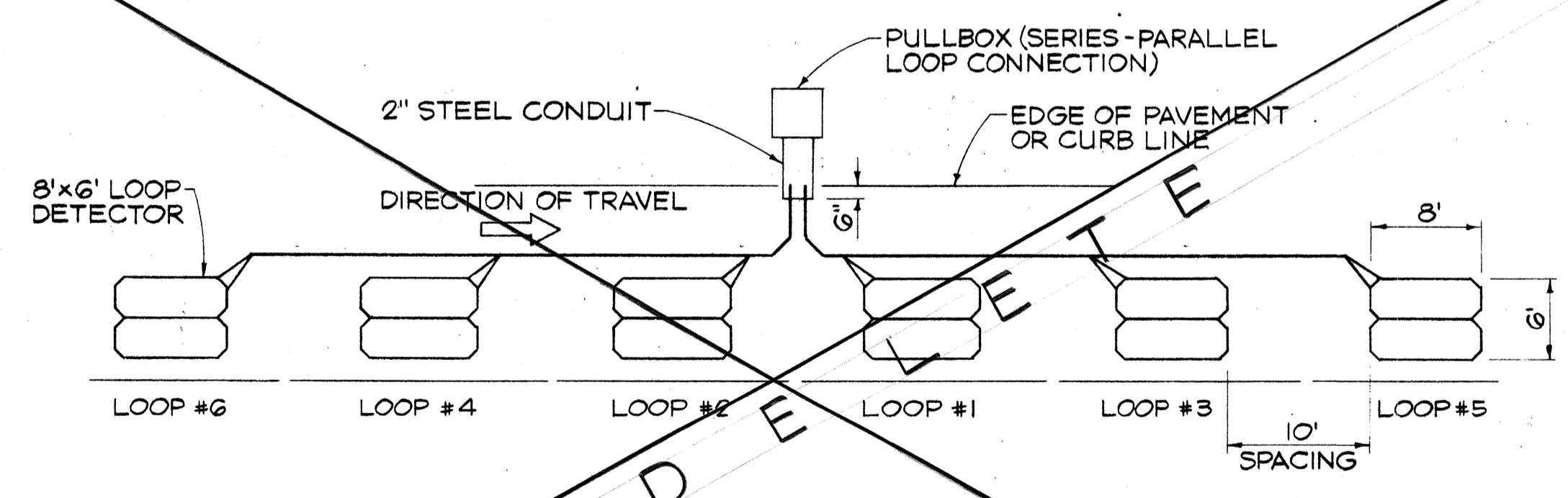
TYPICAL SERIES-PARALLEL LOOP CONNECTION
NOT TO SCALE



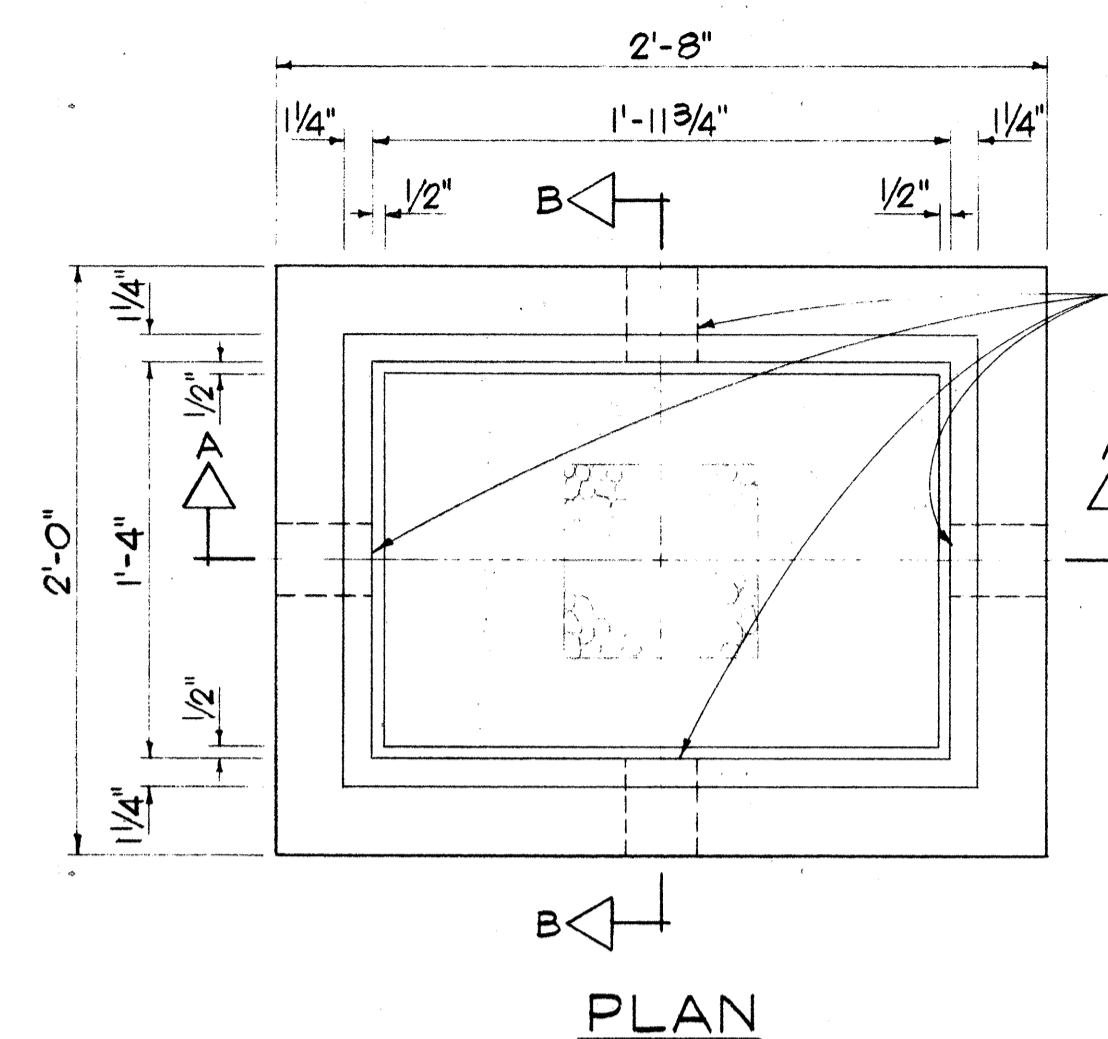
TYPICAL WIRING FOR 8' x 6' LOOP DETECTOR
NOT TO SCALE



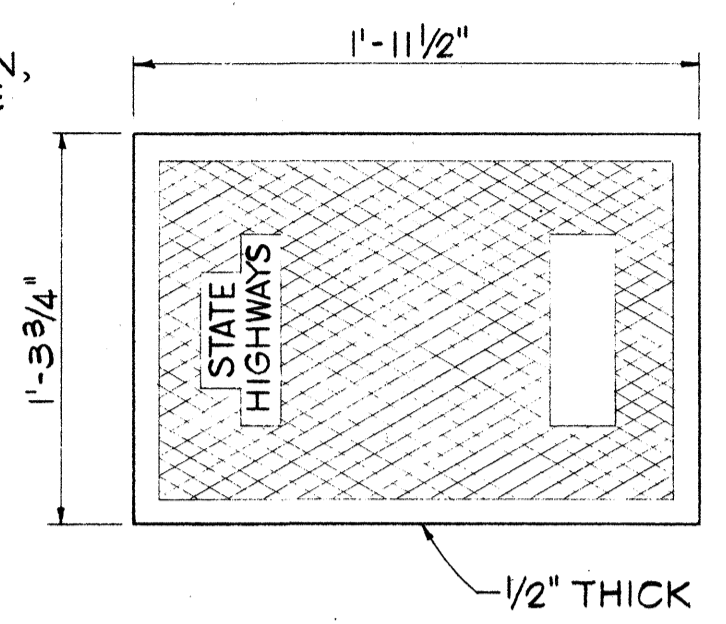
TYPICAL DETECTOR LOOP SAW-CUT
NOT TO SCALE



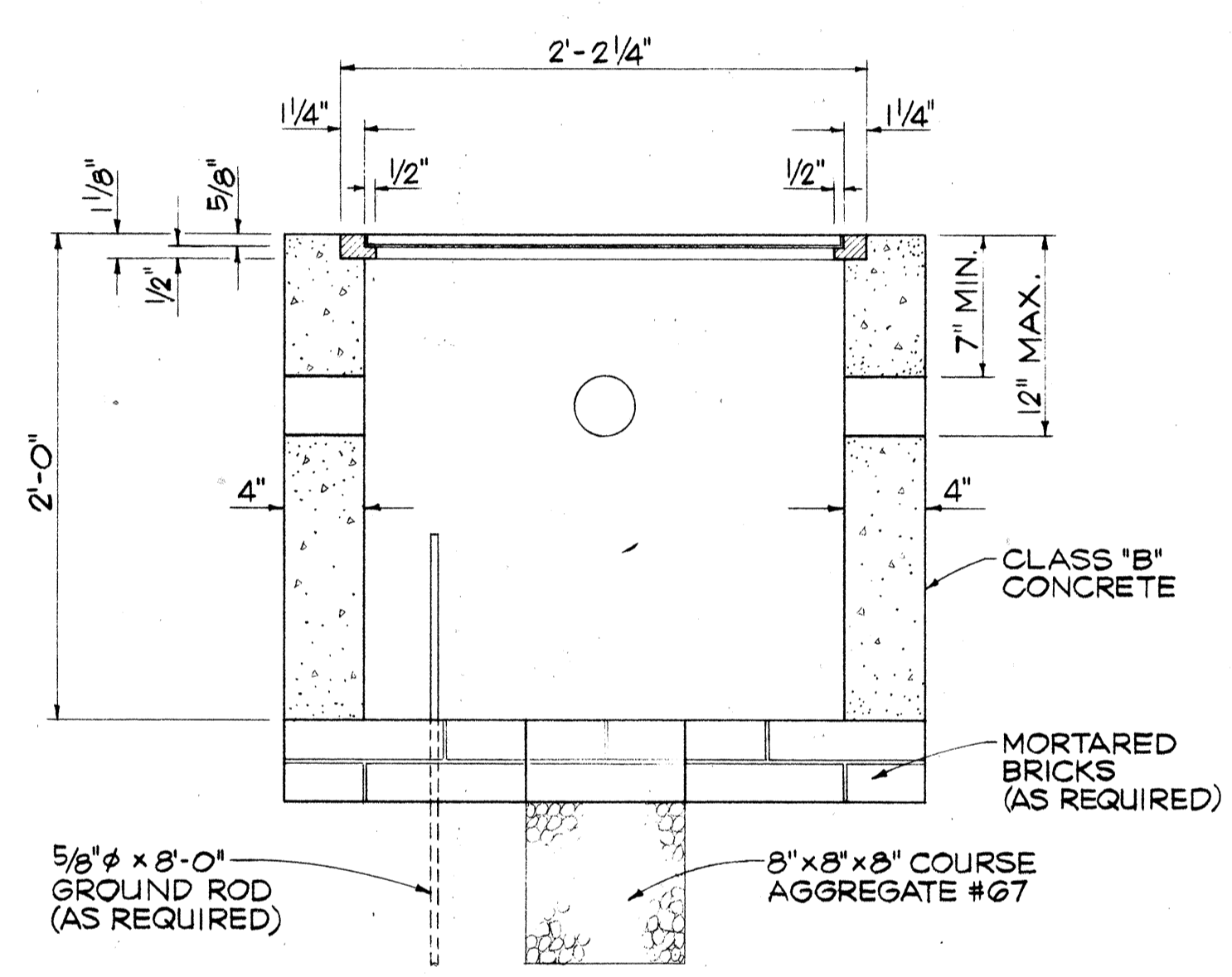
PLAN-LEFT TURN LANE LOOP LAYOUT
NOT TO SCALE



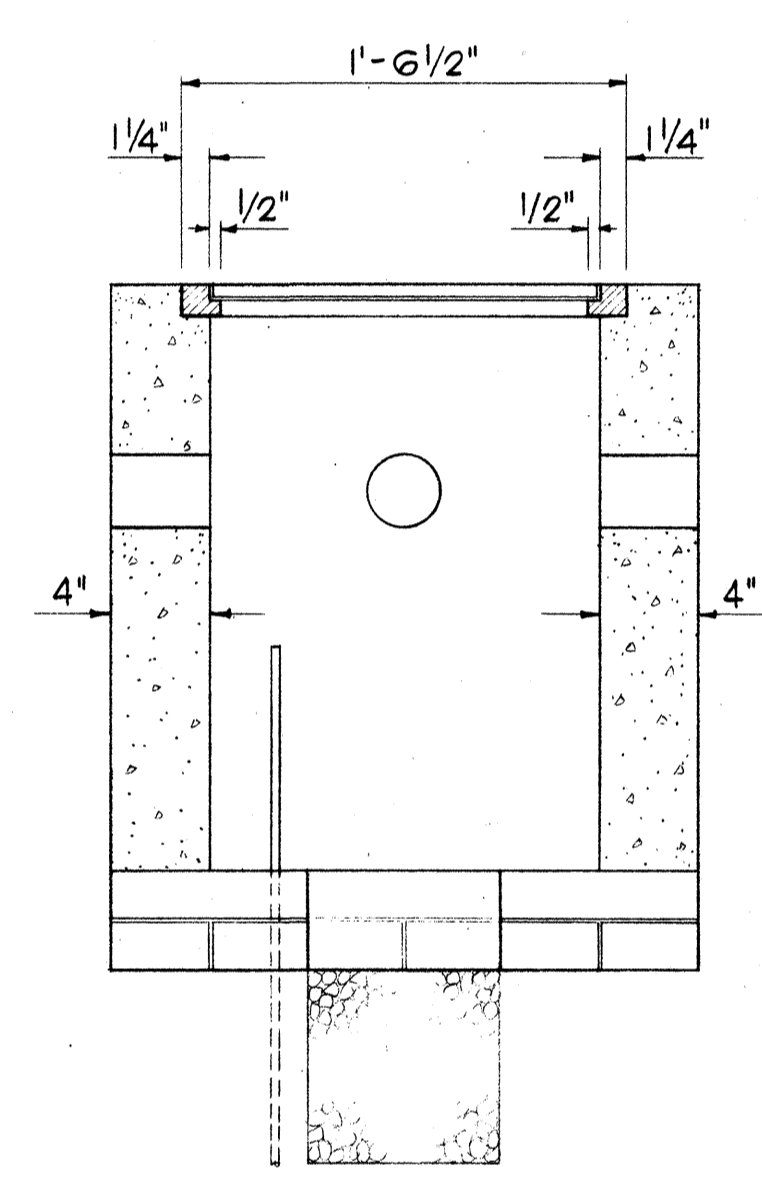
PLAN



PLAN OF COVER

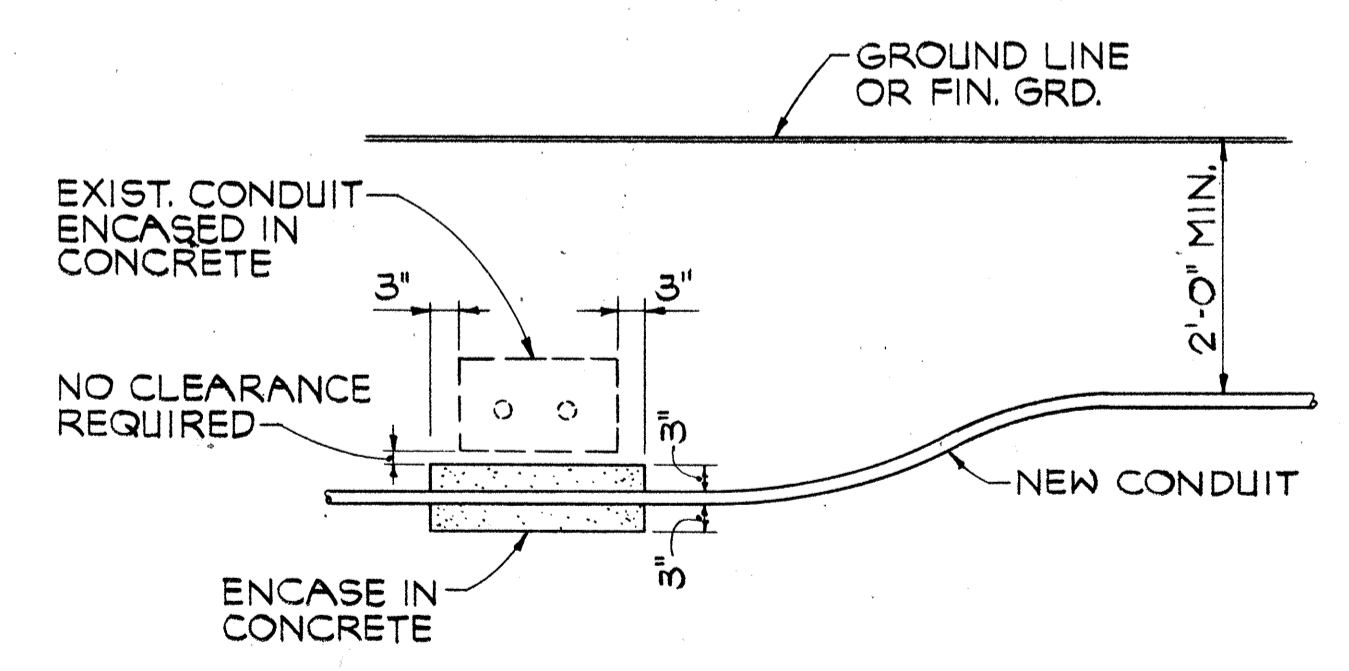


SECTION "A-A"



SECTION "B-B"

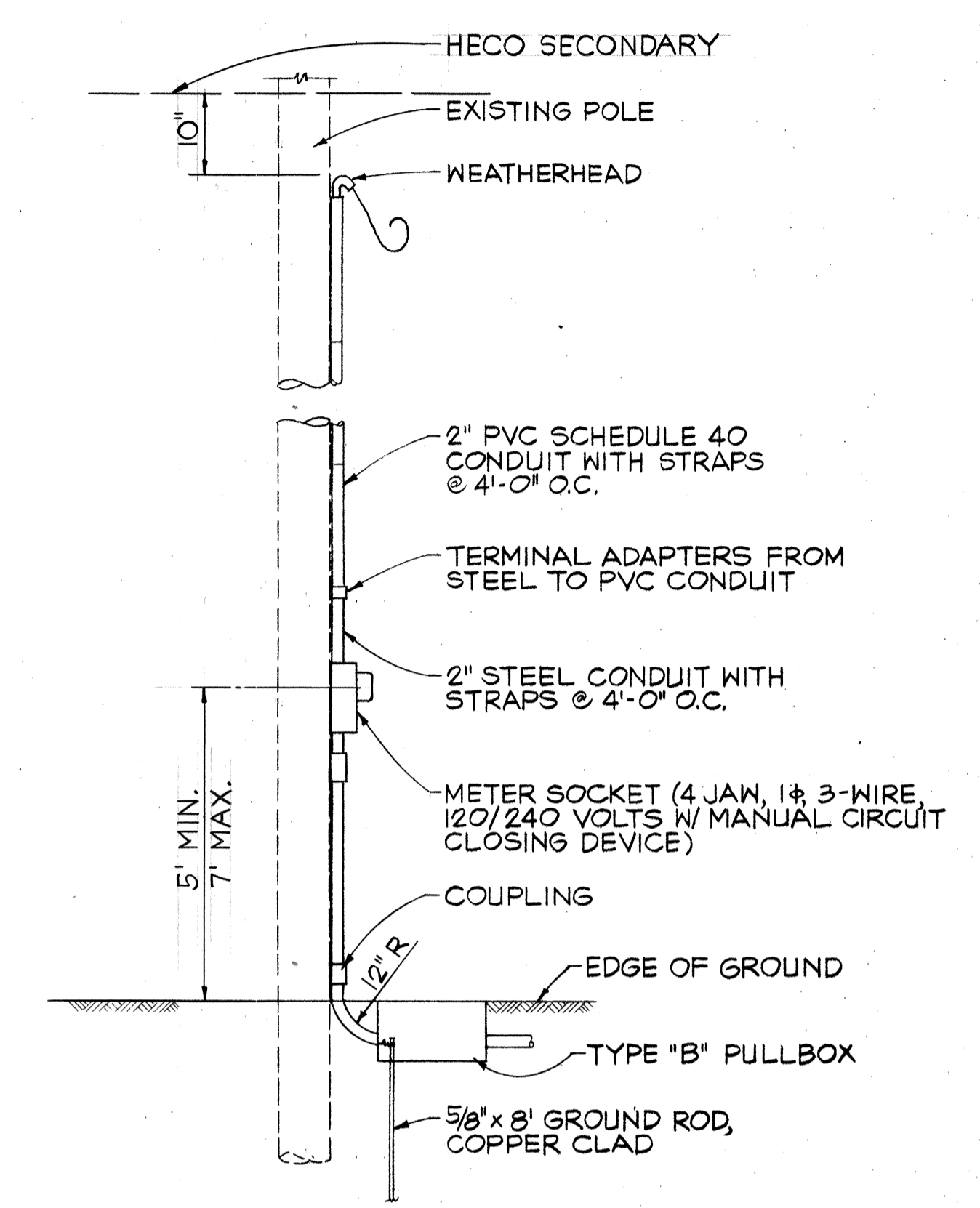
TYPE "D" PULLBOX
SCALE: 1/2" = 1'-0"



CONDUIT BY-PASS DETAIL
NOT TO SCALE

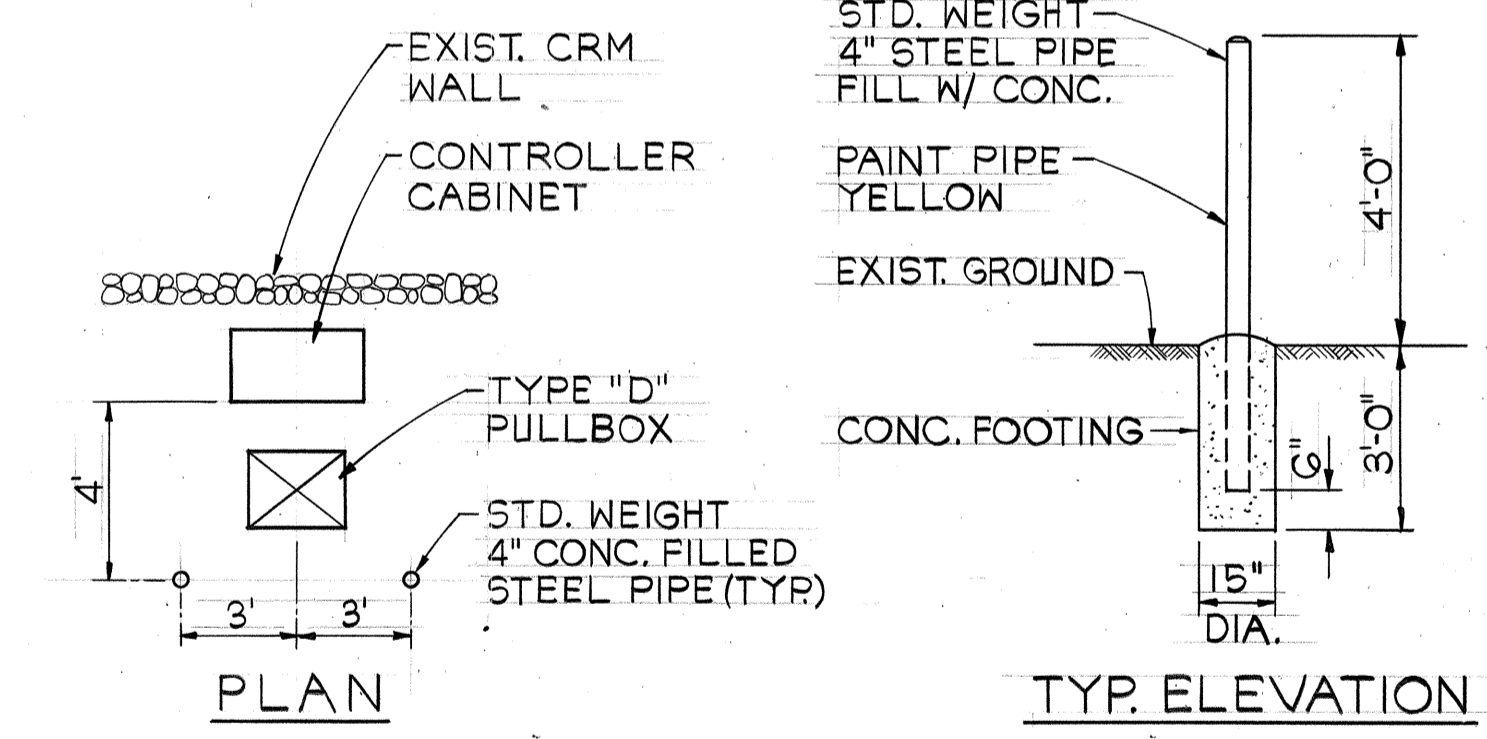
NOTE:
EXCEPT AS NOTED, COVER DETAILS SHALL CONFORM TO TYPE "B" PULLBOX COVER. SEE SHEET DT 401

FOR DIRECTION, NUMBER & SIZE OF OPENINGS SEE TRAFFIC SIGNAL PLAN



SERVICE POLE DETAIL
NOT TO SCALE

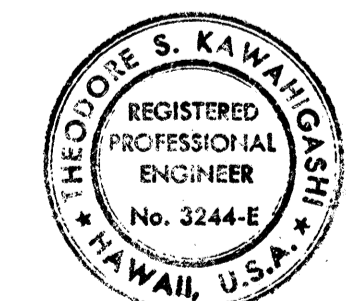
NOTE: COST OF FURNISHING & INSTALLING PIPE GUARD SHALL BE INCIDENTAL TO OTHER ITEMS OF WORK.



PLAN

TYP. ELEVATION

PIPE GUARD DETAIL
NOT TO SCALE



THIS WORK WAS PREPARED BY ME OR UNDER MY SUPERVISION
Theodore S. Kawachi
Signature

STATE OF HAWAII
DEPARTMENT OF TRANSPORTATION
HIGHWAYS DIVISION

FARRINGTON HIGHWAY TRAFFIC SIGNALS AT PUPUPUHI STREET
PROJECT NO. 9000A-01-81

MISCELLANEOUS DETAILS
SCALE: AS SHOWN DATE: 12-24-80
SHEET NO. 1 OF 1 SHEETS

DATE
SURVEY PLOTTED BY
DRAWN BY
DESIGNED BY
QUANTITIES BY
CHECKED BY
ORIGINAL PLAN
NOTE BOOK
NO.