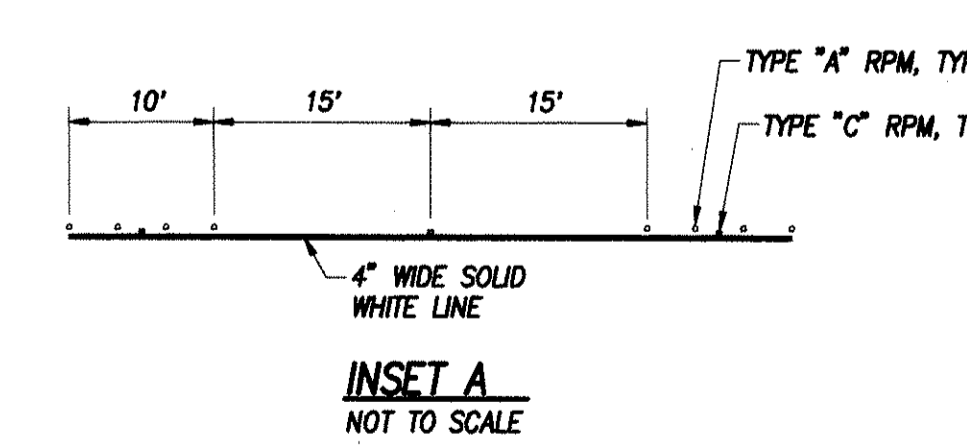


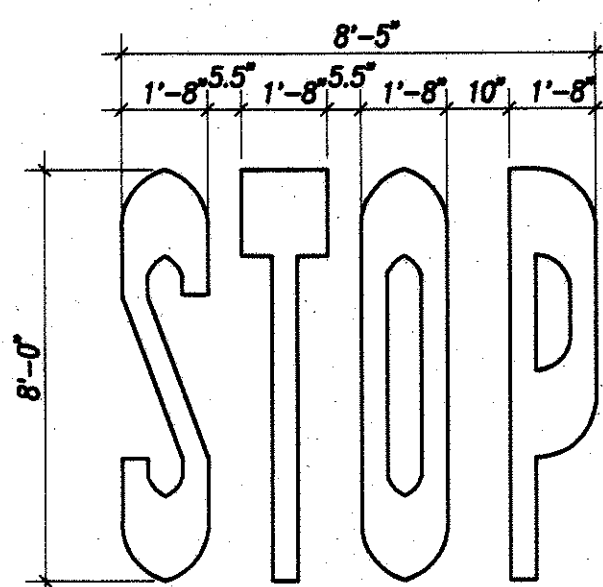
**R3-53 (MODIFIED) - FOR NORTH LEG OF FARRINGTON HIGHWAY AND MAKAKILO DRIVE/FORT BARRETTE ROAD INTERSECTION**  
 NOT TO SCALE  
**SIGNING & STRIPING PLAN - FARRINGTON HIGHWAY**  
 SCALE: 1" = 40'



**INSET A**  
 NOT TO SCALE

Approved:  
*Michael M. Oshes*  
 Chief, Transportation Management  
 Division, DTS (for construction  
 within city R.O.W. only)  
 Date: 6/30/98

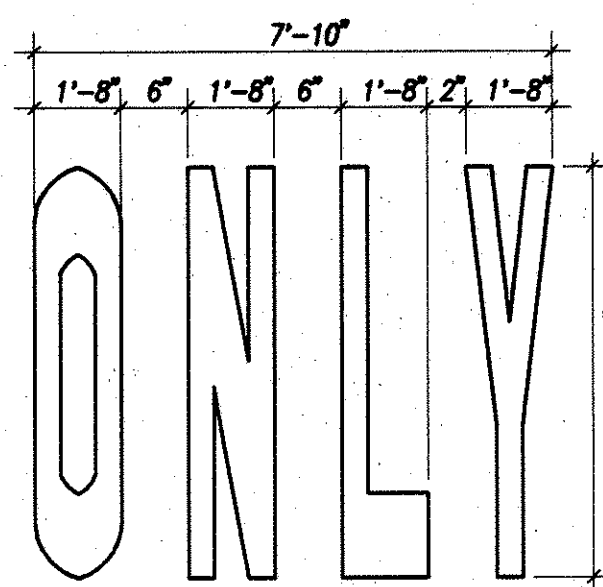
ENGINEER	GT/HG	REVISION	3/29/98	REVISED MAKAKILO DRIVE TO DOUBLE RIGHT TURN	HG	BY	APPROVED
DRAFTSMAN	PCN	CHECKED BY	GHH	<b>R. M. TOWILL CORPORATION</b> ENGINEERS • PLANNERS • SURVEYORS • PHOTOGRAMMETRISTS CONSTRUCTION MANAGERS 420 Waiakamilo Road Honolulu, Hawaii 96817-4941			
THE ESTATE OF JAMES CAMPBELL, FINANCE REALTY COMPANY, AND HOUSING FINANCE AND DEVELOPMENT CORPORATION, STATE OF HAWAII							
<b>FARRINGTON HIGHWAY IMPROVEMENTS</b> EWA, OAHU, HAWAII <small>TMK: (1ST DIVISION) PORTION OF 8-1-16</small>							
<b>FARRINGTON HIGHWAY SIGNING &amp; STRIPING PLAN - 1</b>							
SIGNATURE: <i>Greg H. Hiyakunio</i> DATE:		HFDJC JOB NO.: DEV 93-41 SCALE: 1" = 40' DATE: MAR 1998		FILE:		FOLDER:	



NOTE  
WHEN THIS MARKING IS USED, IT SHALL BE PAINTED IN EACH LANE OF TRAFFIC APPROACHING THE INTERSECTION

**STANDARD DETAIL OF THE WORD "STOP" - 8'-0" SIZE**

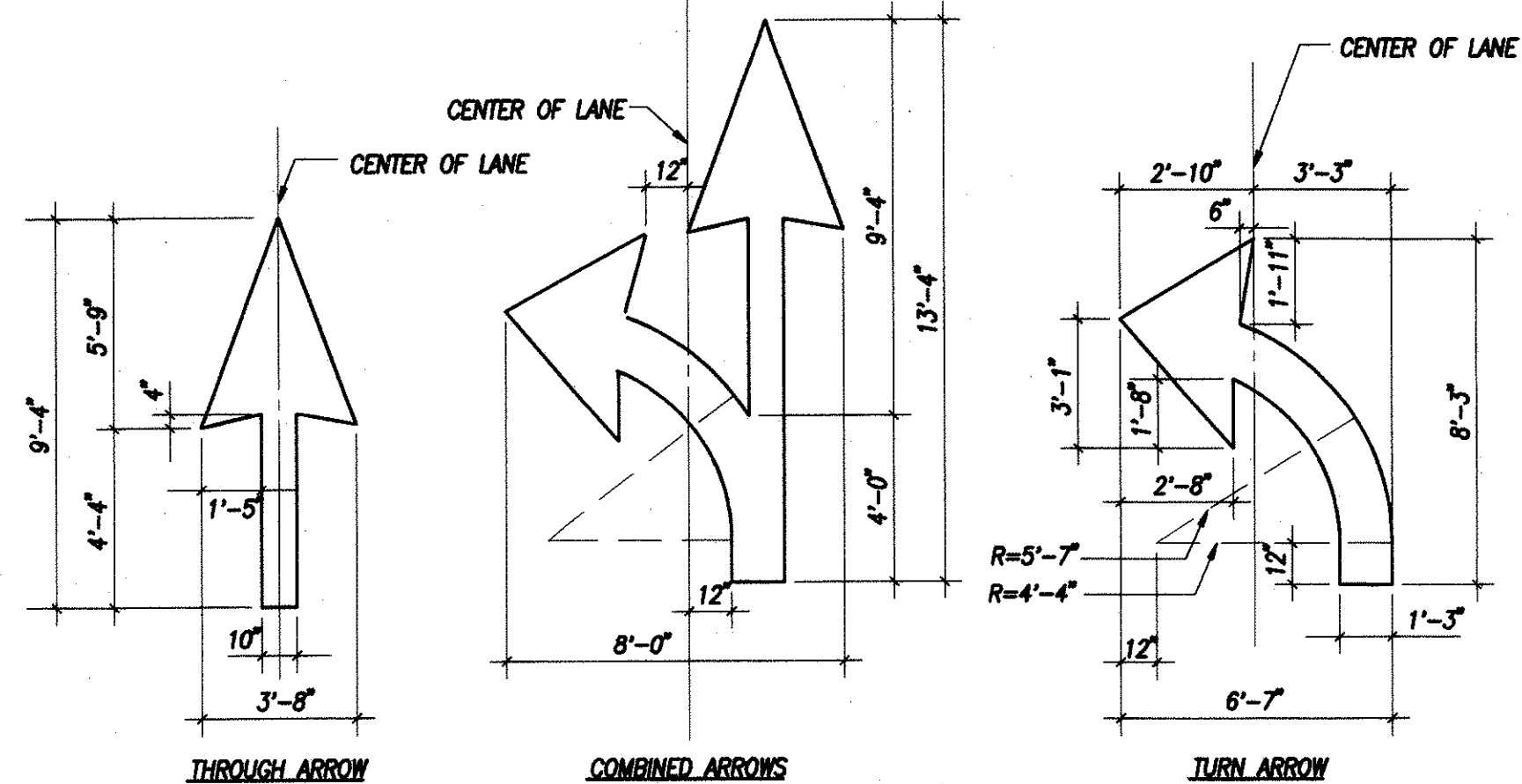
NOT TO SCALE



NOTE  
WHEN THIS MARKING IS USED, IT SHALL BE PAINTED IN EACH LANE OF TRAFFIC APPROACHING THE INTERSECTION

**STANDARD DETAIL OF THE WORD "ONLY" - 8'-0" SIZE**

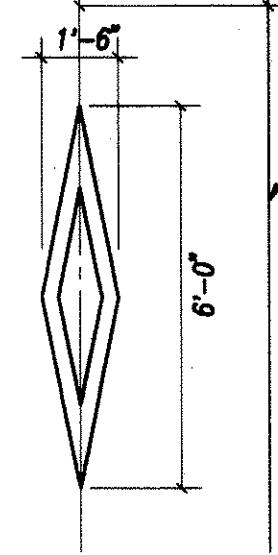
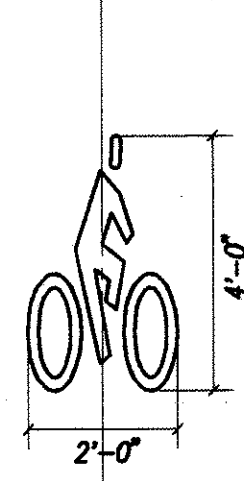
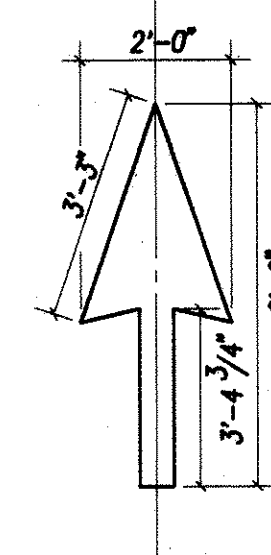
NOT TO SCALE



THROUGH ARROW

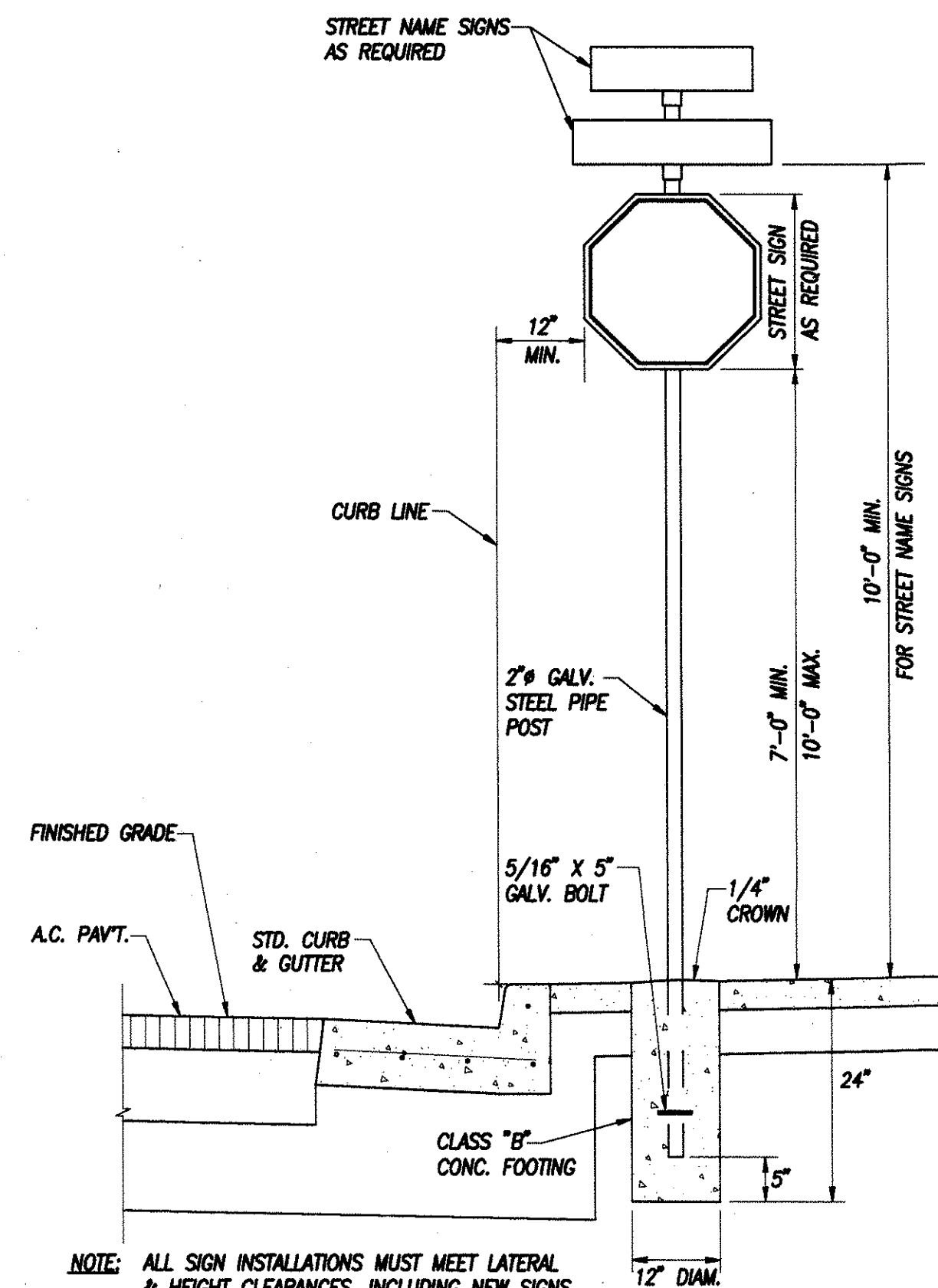
COMBINED ARROWS

TURN ARROW



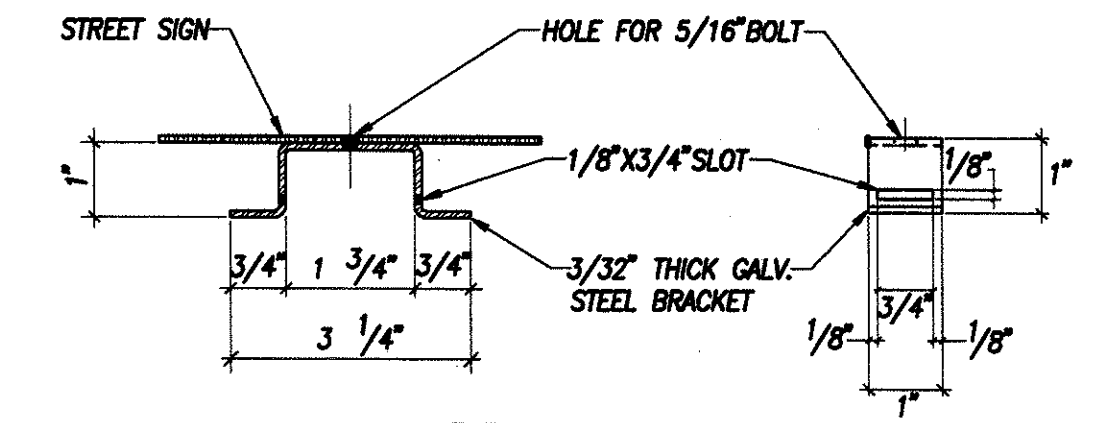
BIKE LANE PAVEMENT MARKINGS

**STANDARD PAVEMENT MARKINGS**  
NOT TO SCALE

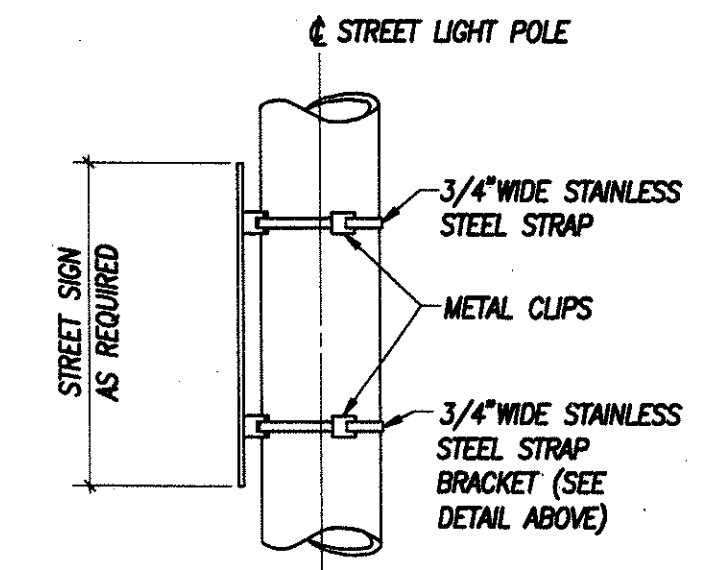


NOTE: ALL SIGN INSTALLATIONS MUST MEET LATERAL & HEIGHT CLEARANCES, INCLUDING NEW SIGNS THAT WILL BE POSTED ON TO EXIST. SIGN POSTS. EXTEND, RELOCATE OR REPLACE AS REQUIRED TO MEET CLEARANCE REQUIREMENTS.

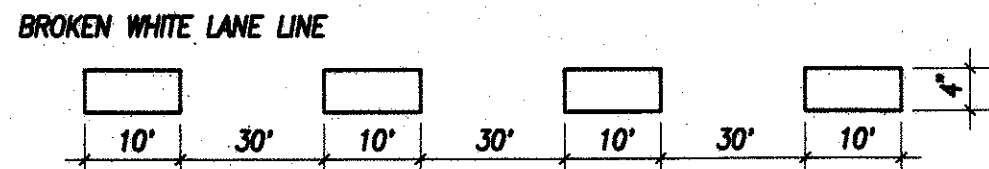
**SIGN POST DETAIL**  
NOT TO SCALE



**BRACKET DETAIL**  
NOT TO SCALE



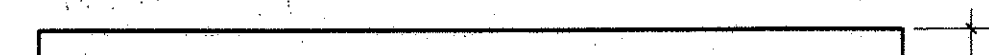
**STRAP MOUNTING DETAIL**  
NOT TO SCALE



SOLID WHITE EDGE LINE OR LANE LINE



SOLID WHITE CHANNELIZING LINE



GUIDE LINE (WHITE OR YELLOW)



BIKE LANE GUIDE LINE (WHITE)



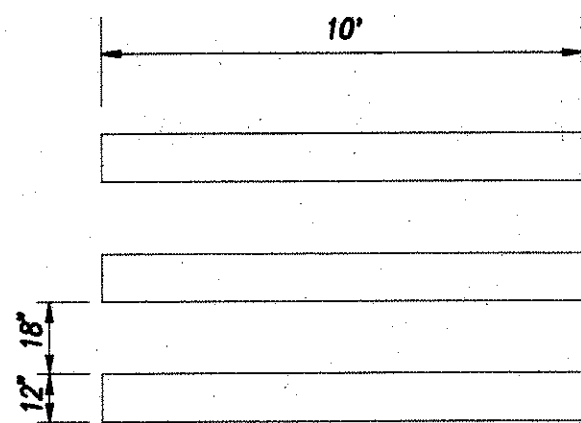
YELLOW EDGE LINE



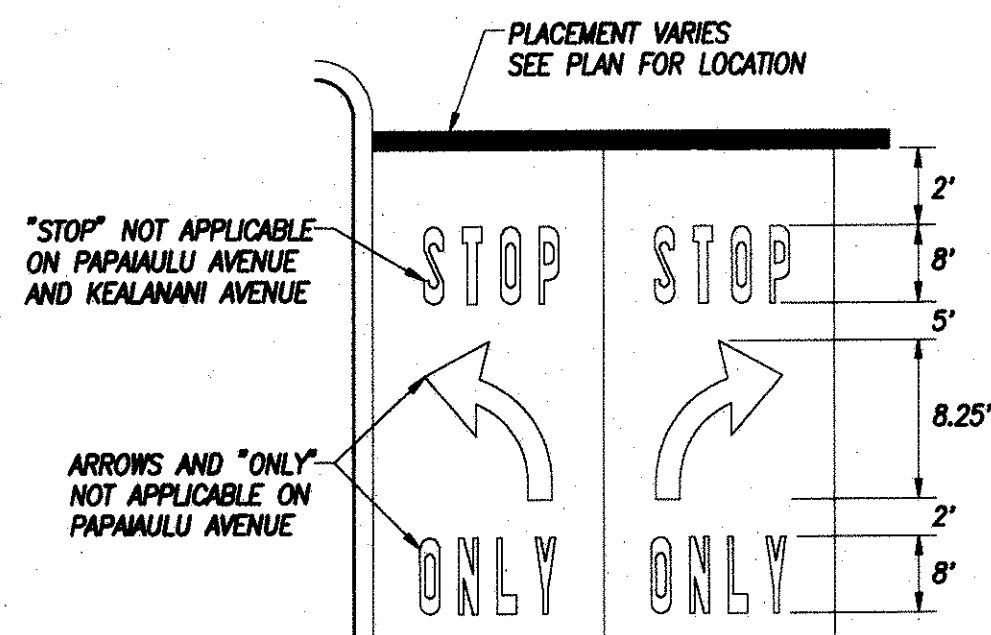
DOUBLE SOLID (WHITE OR YELLOW)



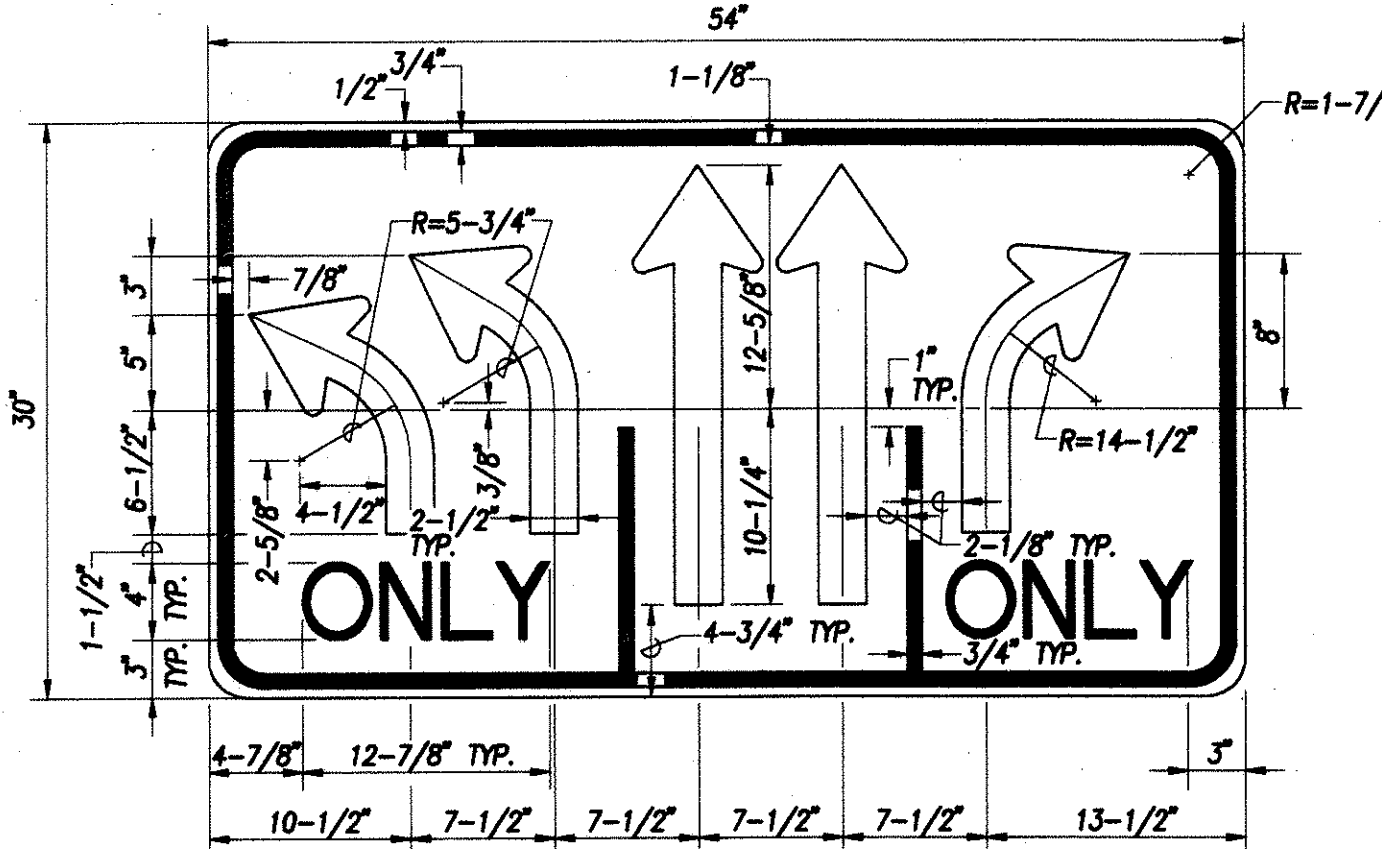
**TYPES OF LONGITUDINAL LINES**  
NOT TO SCALE



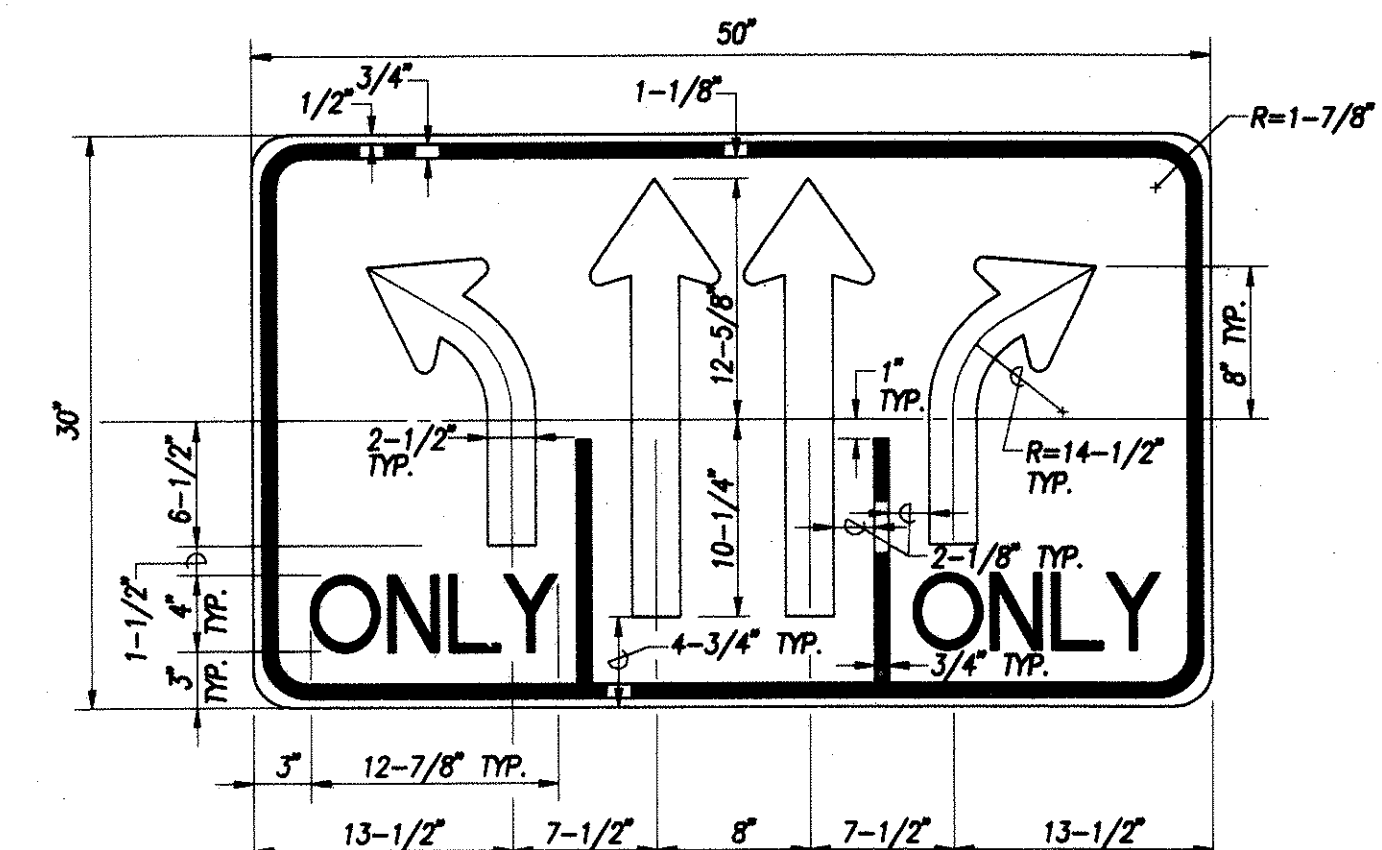
**TYPICAL CROSSWALK**  
SCALE: 1" = 4'



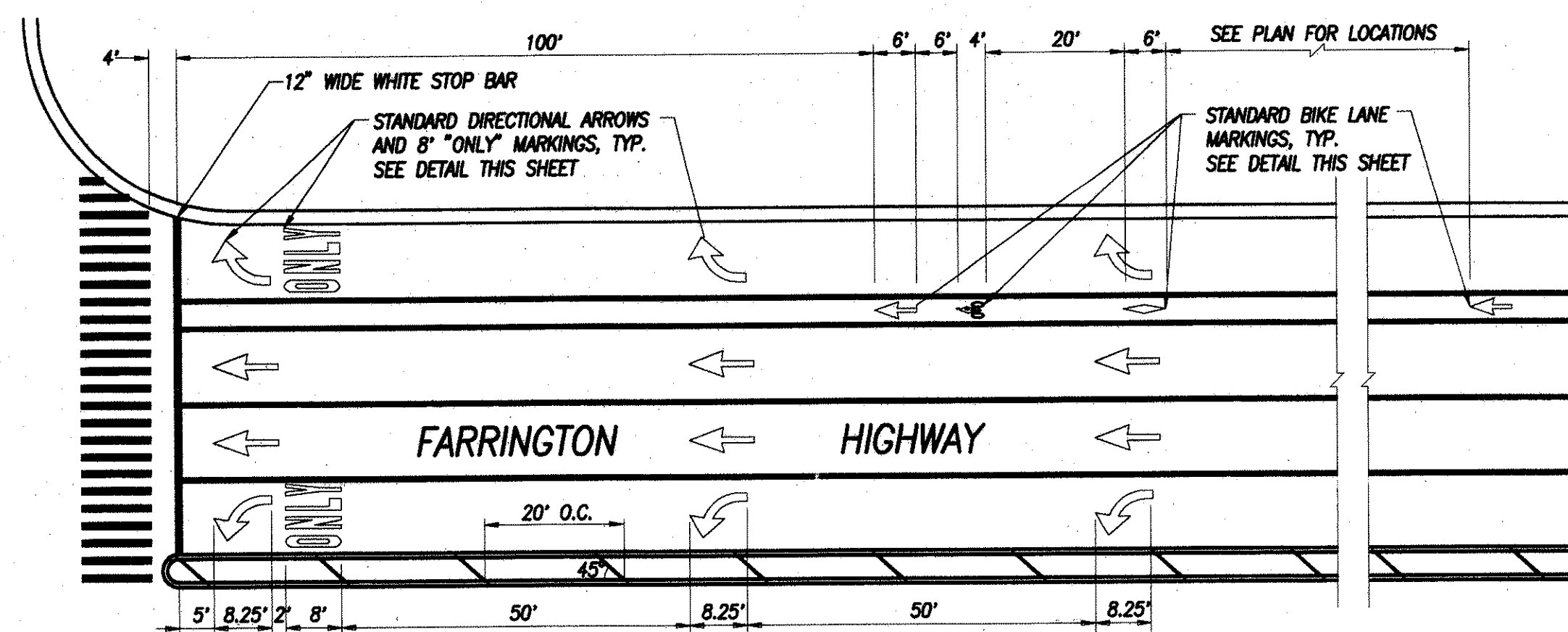
**TYPICAL PLACEMENT OF DIRECTIONAL ARROWS, AND 8' "STOP" AND "ONLY" MARKINGS AT THE VILLAGES OF KAPOLEI CONNECTING ROADS**  
NOT TO SCALE



**R3-53 (MODIFIED) - FOR WEST LEG OF FARRINGTON HIGHWAY AND MAKAKILO DRIVE/FORT BARRETTE ROAD INTERSECTION**  
NOT TO SCALE



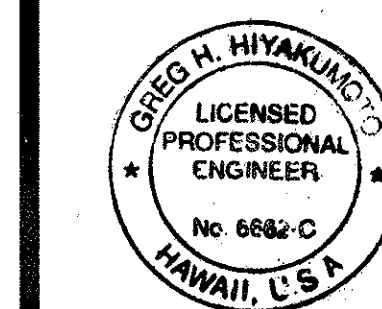
**R3-53 (MODIFIED) - FOR EAST AND NORTH LEG OF FARRINGTON HIGHWAY AND MAKAKILO DRIVE/FORT BARRETTE ROAD INTERSECTION**  
NOT TO SCALE



**TYPICAL PLACEMENT OF DIRECTIONAL ARROWS, "ONLY" & BIKE LANE MARKINGS (CITY)**  
NOT TO SCALE

Approved:  
*Michael H. Oshro*  
Chief, Transportation Management Division, DTS (for construction within city R.O.W. only)

7/98  
Date



THIS WORK WAS PREPARED BY ME OR UNDER MY SUPERVISION.  
*Greg H. Hiyakuni* 1/28/98  
SIGNATURE DATE

**PROPOSED PUBLIC ROAD**

ENGINEER	GT/HG	REVISION	DATE	BRIEF	BY	APPROVED
DRAFTSMAN	GT/HG					
CHECKED BY	GHH					
<b>R. M. TOWILL CORPORATION</b> ENGINEERS • PLANNERS • SURVEYORS • PHOTOGRAMMETRISTS FINANCE REALTY COMPANY, AND CONSTRUCTION MANAGERS 420 Waiakamilo Road Honolulu, Hawaii 96817-4941						
THE ESTATE OF JAMES CAMPBELL, HOUSING FINANCE AND DEVELOPMENT CORPORATION, STATE OF HAWAII <b>FARRINGTON HIGHWAY IMPROVEMENTS</b> EWA, OAHU, HAWAII TMK: (1ST DIVISION) PORTION OF 9-1-18						
<b>STRIPING DETAILS</b>						
HDC JOB NO.	DEV 93-41	SCALE	AS SHOWN	DATE	JAN 1998	
FILE	POCKET	FOLDER	NO.			