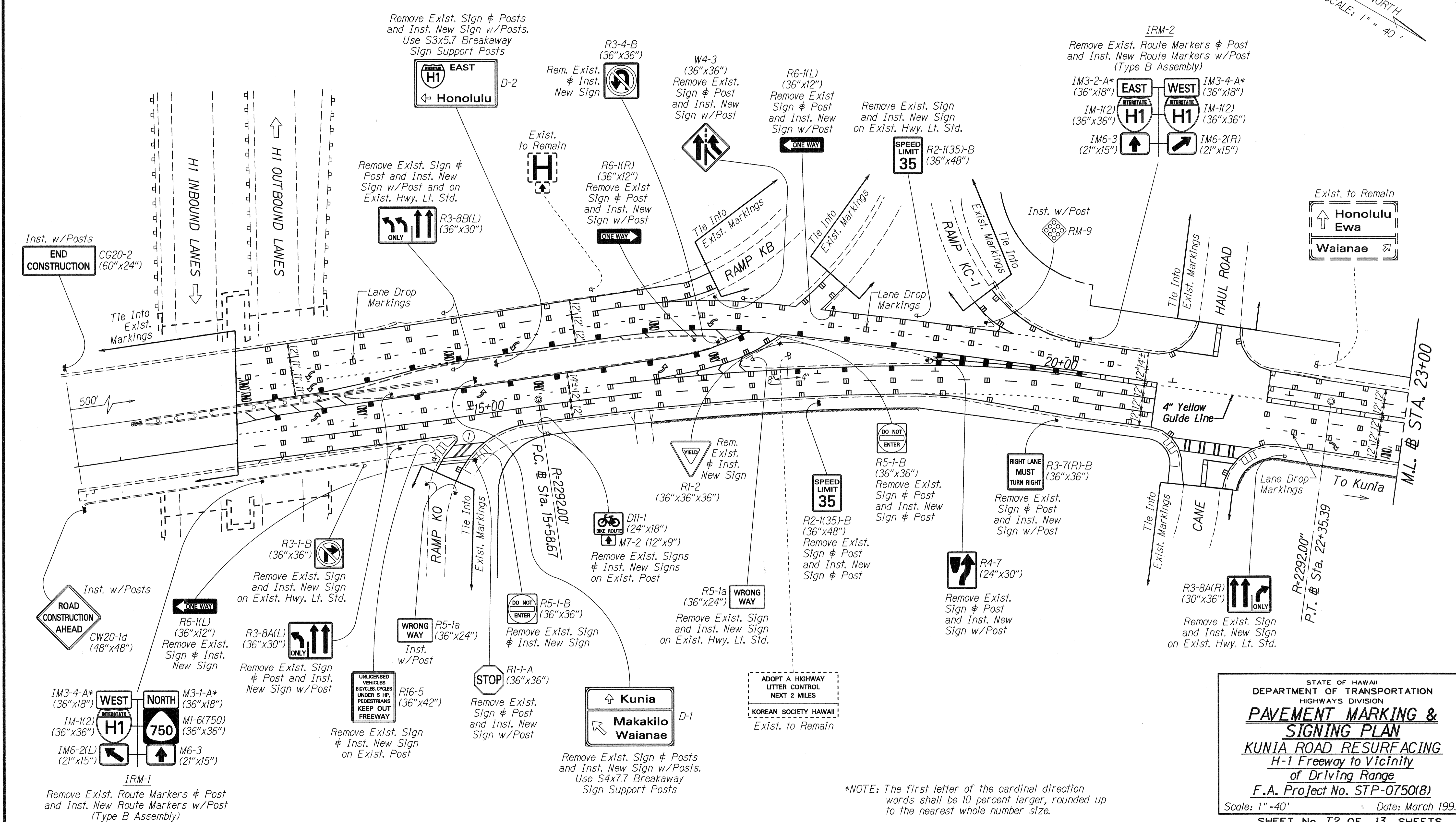
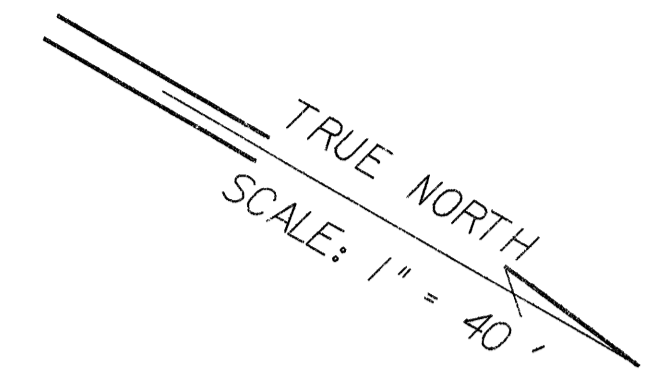


FED. ROAD DIST. NO.	STATE	FED. AID PROJ. NO.	FISCAL YEAR	SHEET NO.	TOTAL SHEETS
HAWAII	HAW.	STP-0750(8)	1993	15	26



DATE
SURVEY PLOTTED BY
DRAWN BY
TRACED BY
QUANTITIES BY
CHECKED BY
ORIGINAL PLAN
NOTE BOOK

STATE OF HAWAII
DEPARTMENT OF TRANSPORTATION
HIGHWAYS DIVISION

PAVEMENT MARKING & SIGNING PLAN

KUNIA ROAD RESURFACING

H-1 Freeway to Vicinity of Driving Range

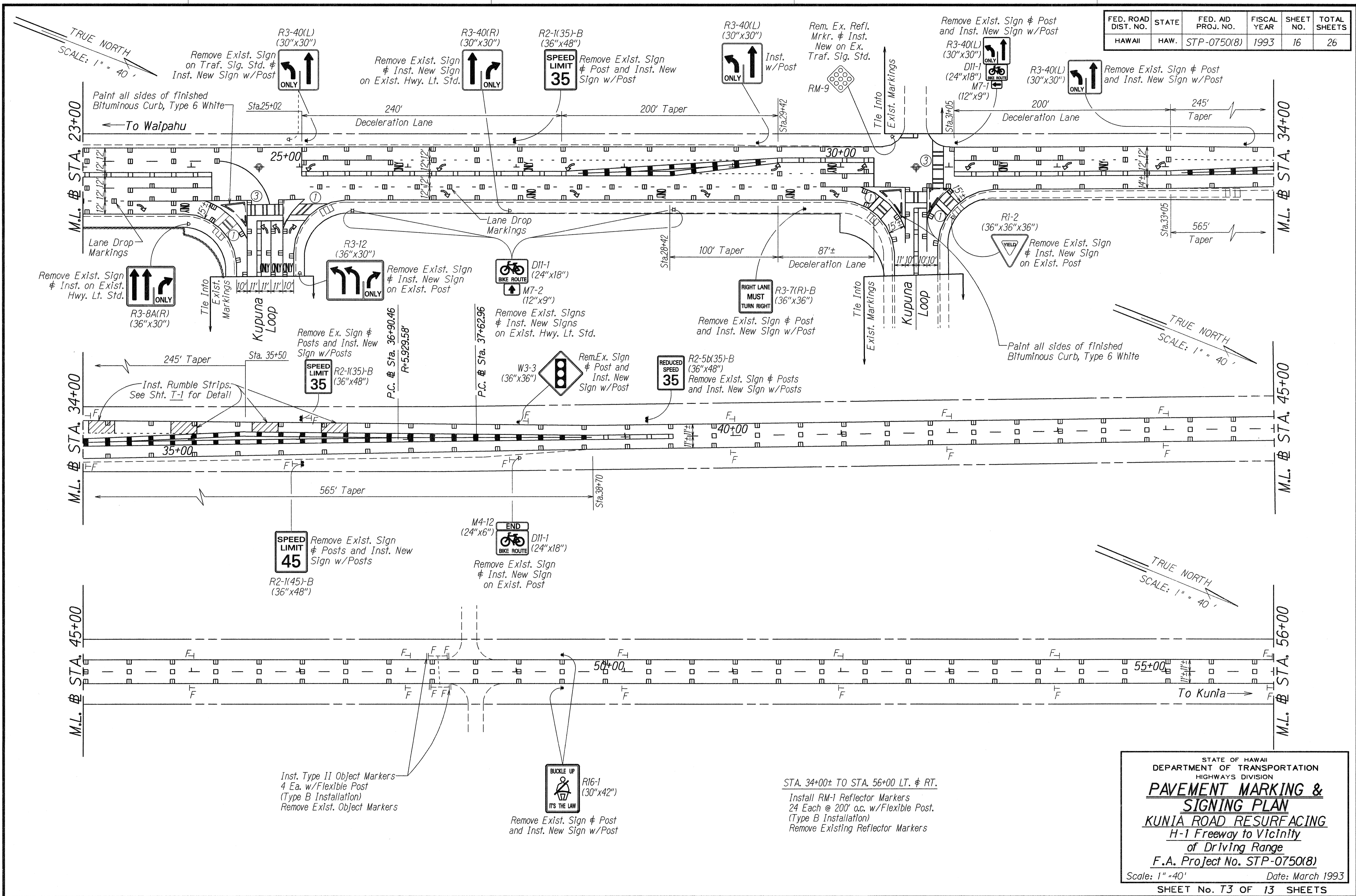
F.A. Project No. STP-0750(8)

Scale: 1"=40' Date: March 1993

SHEET No. T2 OF 13 SHEETS

*NOTE: The first letter of the cardinal direction words shall be 10 percent larger, rounded up to the nearest whole number size.

FED. ROAD DIST. NO.	STATE	FED. AID PROJ. NO.	FISCAL YEAR	SHEET NO.	TOTAL SHEETS
HAWAII	HAW.	STP-0750(8)	1993	16	26



TRUE NORTH
SCALE: 1" = 40'

TRUE NORTH
SCALE: 1" = 40'

TRUE NORTH
SCALE: 1" = 40'

SURVEY PLOTTED BY	DATE
DRAWN BY	
DESIGNED BY	
QUANTITIES BY	
CHECKED BY	
ORIGINAL PLAN	
NOTE BOOK	
No.	

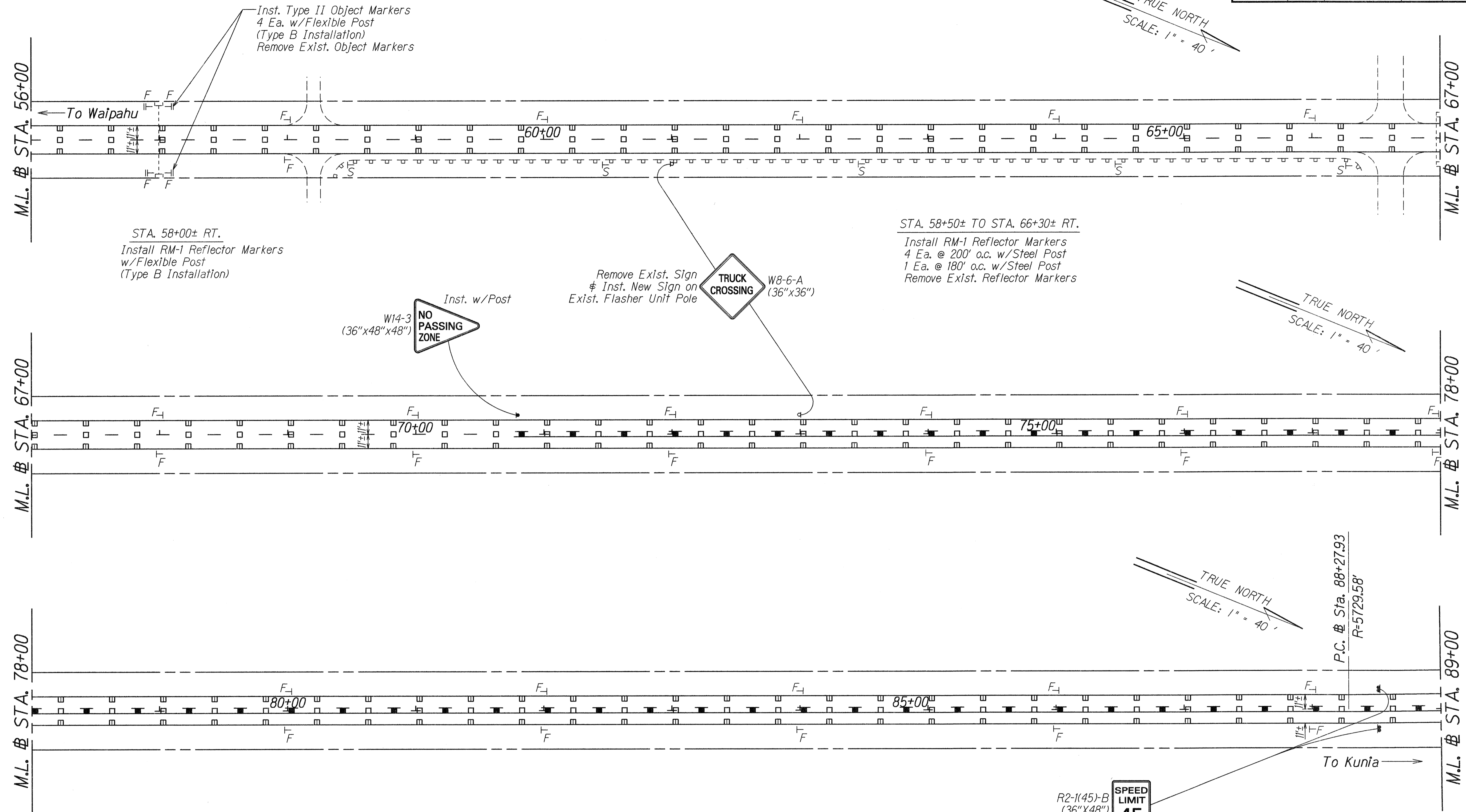
Inst. Type II Object Markers
4 Ea. w/Flexible Post
(Type B Installation)
Remove Exist. Object Markers

Remove Exist. Sign & Post
and Inst. New Sign w/Post

STA. 34+00± TO STA. 56+00 LT. & RT.
Install RM-1 Reflector Markers
24 Each @ 200' o.c. w/Flexible Post.
(Type B Installation)
Remove Existing Reflector Markers

STATE OF HAWAII
DEPARTMENT OF TRANSPORTATION
HIGHWAYS DIVISION
PAVEMENT MARKING & SIGNING PLAN
KUNIA ROAD RESURFACING
H-1 Freeway to Vicinity
of Driving Range
F.A. Project No. STP-0750(8)
Scale: 1" = 40' Date: March 1993
SHEET No. 13 OF 13 SHEETS

FED. ROAD DIST. NO.	STATE	FED. AID PROJ. NO.	FISCAL YEAR	SHEET NO.	TOTAL SHEETS
HAWAII	HAW.	STP-0750(8)	1993	17	26



STA. 58+00± RT.
Install RM-1 Reflector Markers
w/Flexible Post
(Type B Installation)

STA. 58+50± TO STA. 66+30± RT.
Install RM-1 Reflector Markers
4 Ea. @ 200' o.c. w/Steel Post
1 Ea. @ 180' o.c. w/Steel Post
Remove Exist. Reflector Markers

Inst. w/Post
W14-3
(36"x48"x48")
**NO
PASSING
ZONE**

Remove Exist. Sign
& Inst. New Sign on
Exist. Flasher Unit Pole
**TRUCK
CROSSING**
W8-6-A
(36"x36")

STA. 58+00± TO STA. 88+00± LT.
Install RM-1 Reflector Markers
16 Ea. @ 200' o.c. w/Flexible Post
(Type B Installation)
Remove Exist. Reflector Markers

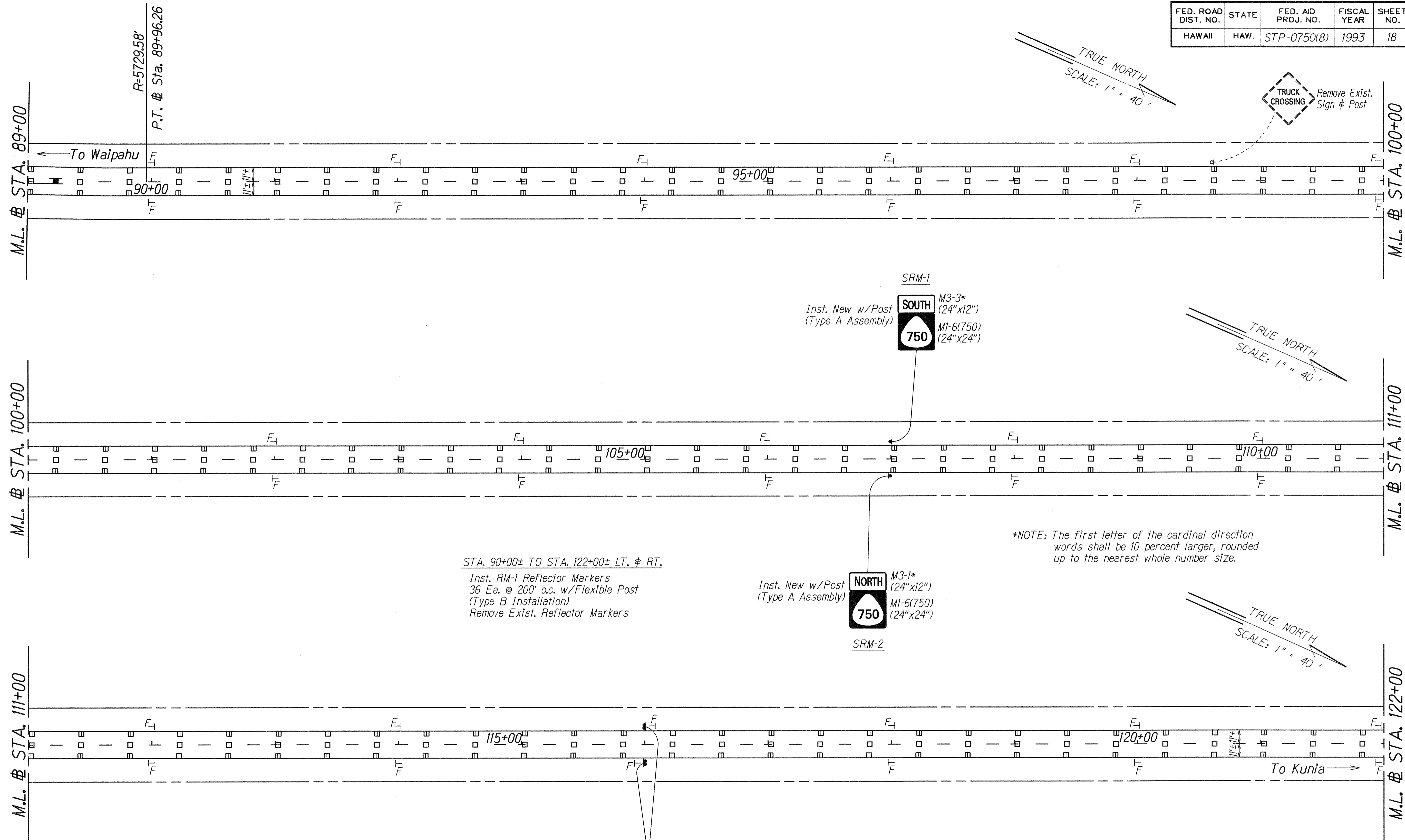
STA. 68+00± TO STA. 88+00± RT.
Install RM-1 Reflector Markers
11 Ea. @ 200' o.c. w/Flexible Post
(Type B Installation)
Remove Exist. Reflector Markers

R2-1(45)-B
(36"x48")
**SPEED
LIMIT
45**
Remove Exist. Sign & Post
and Inst. New Sign w/Post

SURVEY PLOTTED BY	DATE
DRAWN BY	
TRACED BY	
QUANTITIES BY	
CHECKED BY	
ORIGINAL PLAN	
NOTE BOOK	
N.	

STATE OF HAWAII
DEPARTMENT OF TRANSPORTATION
HIGHWAYS DIVISION
**PAVEMENT MARKING &
SIGNING PLAN**
KUNIA ROAD RESURFACING
H-1 Freeway to Vicinity
of Driving Range
F.A. Project No. STP-0750(8)
Scale: 1" = 40' Date: March 1993
SHEET No. T4 OF 13 SHEETS

FED. ROAD DIST. NO.	STATE	FED. AID PROJ. NO.	FISCAL YEAR	SHEET NO.	TOTAL SHEETS
HAWAII	HAW.	STP-0750(8)	1993	18	26



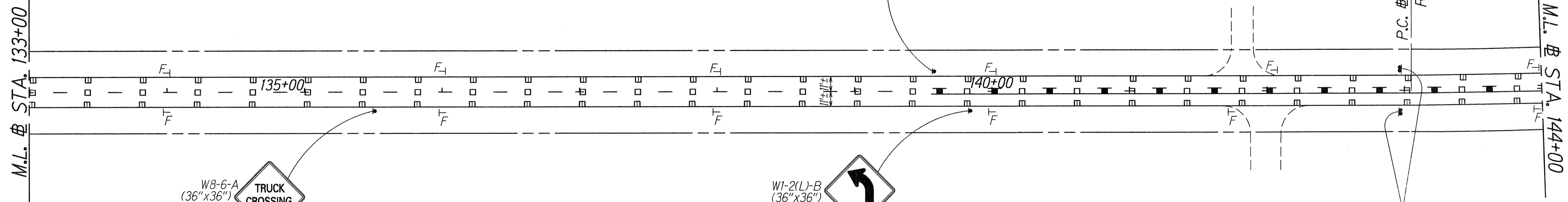
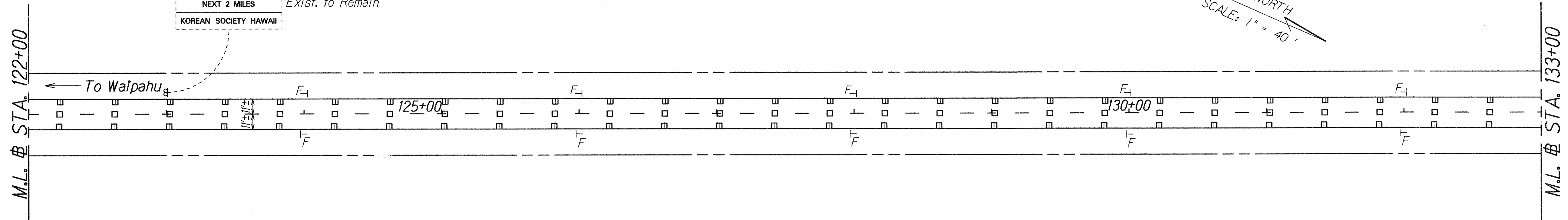
SURVEY PLOTTED BY	DATE
DRAWN BY	
TRACED BY	
QUANTITIES BY	
CHECKED BY	
ORIGINAL PLAN	
NOTE BOOK	
N.	

STATE OF HAWAII
DEPARTMENT OF TRANSPORTATION
HIGHWAYS DIVISION
**PAVEMENT MARKING &
SIGNING PLAN**
KUNIA ROAD RESURFACING
H-1 Freeway to Vicinity
of Driving Range
F.A. Project No. STP-0750(8)
Scale: 1"=40' Date: March 1993
SHEET No. 15 OF 13 SHEETS

FED. ROAD DIST. NO.	STATE	FED. AID PROJ. NO.	FISCAL YEAR	SHEET NO.	TOTAL SHEETS
HAWAII	HAW.	STP-0750(8)	1993	19	26

TRUE NORTH
SCALE: 1" = 40'

ADOPT A HIGHWAY LITTER CONTROL NEXT 2 MILES
KOREAN SOCIETY HAWAII
Exist. to Remain



TRUE NORTH
SCALE: 1" = 40'

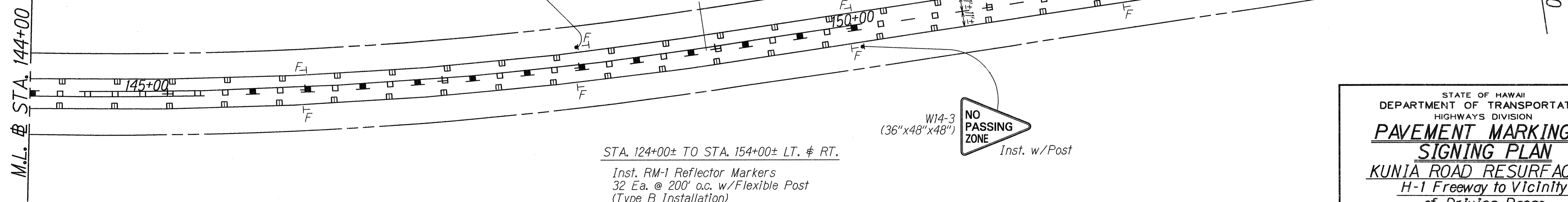
W8-6-A (36"x36") TRUCK CROSSING
Remove Exist. Sign & Post and Inst. New Sign w/Post

W14-3 (36"x48"x48") NO PASSING ZONE
Inst. w/Post

W1-2(L)-B (36"x36")
Remove Exist. Sign & Post and Inst. New Sign w/Post

P.C. # Sta. 143+05.03
R=2,864.79
R2-1(45)-B (36"x48") SPEED LIMIT 45
Remove Exist. Sign & Posts and Inst. New Sign w/Posts

TRUE NORTH
SCALE: 1" = 40'



Inst. w/Post
W8-6-A (36"x36") TRUCK CROSSING

Inst. w/Post
W1-2(R)-B (36"x36")

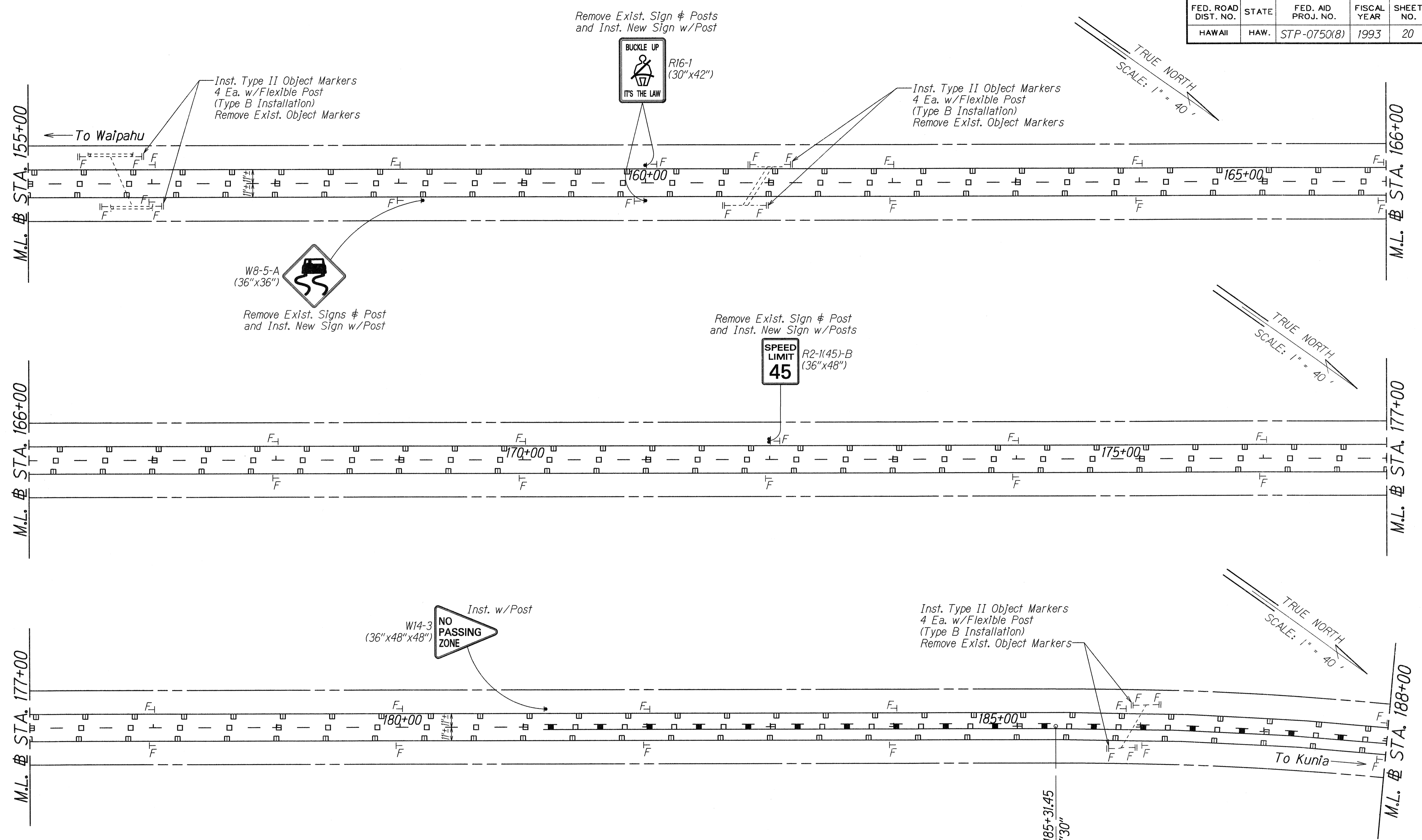
W14-3 (36"x48"x48") NO PASSING ZONE
Inst. w/Post

STA. 124+00± TO STA. 154+00± LT. & RT.
Inst. RM-1 Reflector Markers
32 Ea. @ 200' o.c. w/Flexible Post
(Type B Installation)
Remove Exist. Reflector Markers

SURVEY PLOTTED BY	DATE
DRAWN BY	
DESIGNED BY	
QUANTITIES BY	
CHECKED BY	
ORIGINAL PLAN	
NOTE BOOK	
N.	

STATE OF HAWAII
DEPARTMENT OF TRANSPORTATION
HIGHWAYS DIVISION
PAVEMENT MARKING & SIGNING PLAN
KUNIA ROAD RESURFACING
H-1 Freeway to Vicinity
of Driving Range
F.A. Project No. STP-0750(8)
Scale: 1" = 40' Date: March 1993
SHEET No. T6 OF 13 SHEETS

FED. ROAD DIST. NO.	STATE	FED. AID PROJ. NO.	FISCAL YEAR	SHEET NO.	TOTAL SHEETS
HAWAII	HAW.	STP-0750(8)	1993	20	26

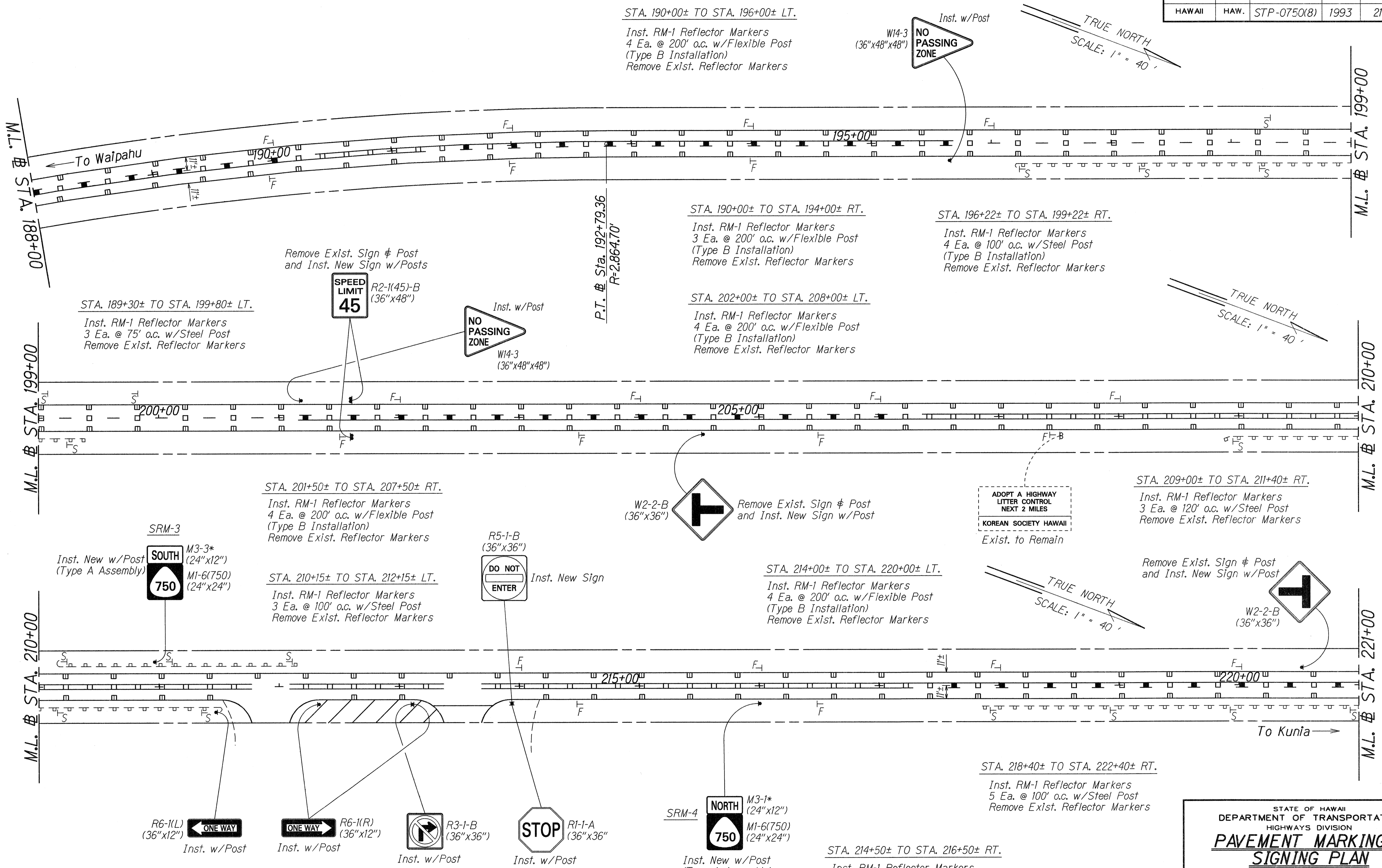


STA. 156+00± TO STA. 188+00± LT. & RT.
 Inst. RM-1 Reflector Markers
 36 Ea. @ 200' o.c. w/Flexible Post
 (Type B Installation)
 Remove Exist. Reflector Markers

SURVEY PLOTTED BY	DATE
DRAWN BY	
TRACED BY	
DESIGNED BY	
QUANTITIES BY	
CHECKED BY	
ORIGINAL PLAN	
NOTE BOOK	
No.	

STATE OF HAWAII
 DEPARTMENT OF TRANSPORTATION
 HIGHWAYS DIVISION
PAVEMENT MARKING & SIGNING PLAN
KUNIA ROAD RESURFACING
 H-1 Freeway to Vicinity
 of Driving Range
 F.A. Project No. STP-0750(8)
 Scale: 1"=40' Date: March 1993
 SHEET No. 77 OF 13 SHEETS

FED. ROAD DIST. NO.	STATE	FED. AID PROJ. NO.	FISCAL YEAR	SHEET NO.	TOTAL SHEETS
HAWAII	HAW.	STP-0750(8)	1993	21	26



SURVEY PLOTTED BY	DATE
DRAWN BY	
TRACED BY	
CHECKED BY	
DATE	
ORIGINAL PLAN	
NOTE BOOK	
NO.	

*NOTE: The first letter of the cardinal direction words shall be 10 percent larger, rounded up to the nearest whole number.

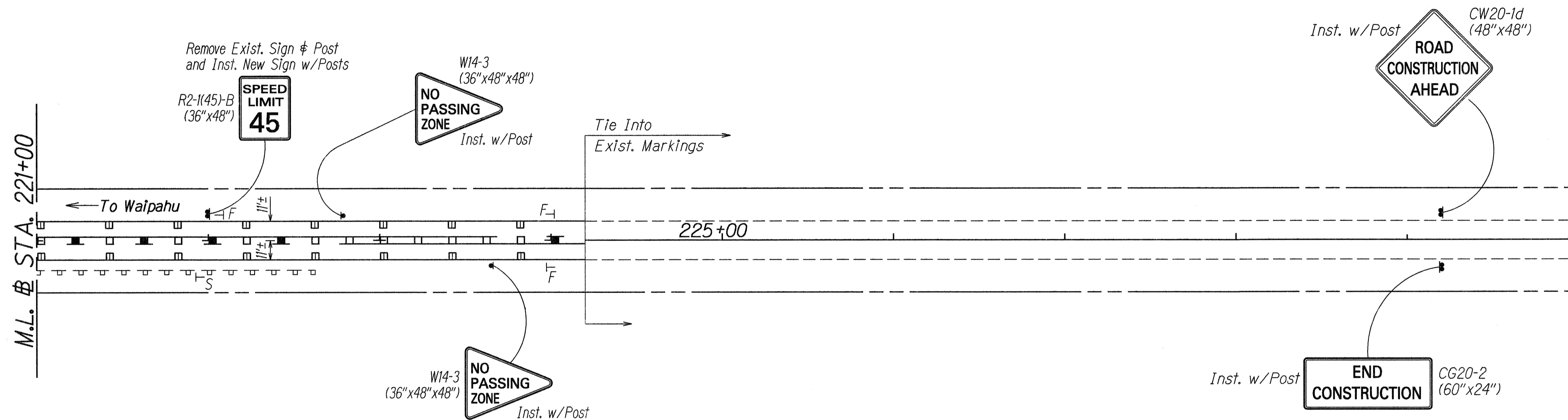
STATE OF HAWAII
 DEPARTMENT OF TRANSPORTATION
 HIGHWAYS DIVISION
PAVEMENT MARKING & SIGNING PLAN
KUNIA ROAD RESURFACING
 H-1 Freeway to Vicinity
 of Driving Range
 F.A. Project No. STP-0750(8)
 Scale: 1"=40' Date: March 1993
 SHEET No. 21 OF 13 SHEETS

FED. ROAD DIST. NO.	STATE	FED. AID PROJ. NO.	FISCAL YEAR	SHEET NO.	TOTAL SHEETS
HAWAII	HAW.	STP-0750(8)	1993	22	26

STA. 222+00± TO STA. 224+00± LT.

Inst. RM-1 Reflector Markers
2 Ea. @ 200' o.c. w/Flexible Post
(Type B Installation)
Remove Exist. Reflector Markers

TRUE NORTH
SCALE: 1" = 40'



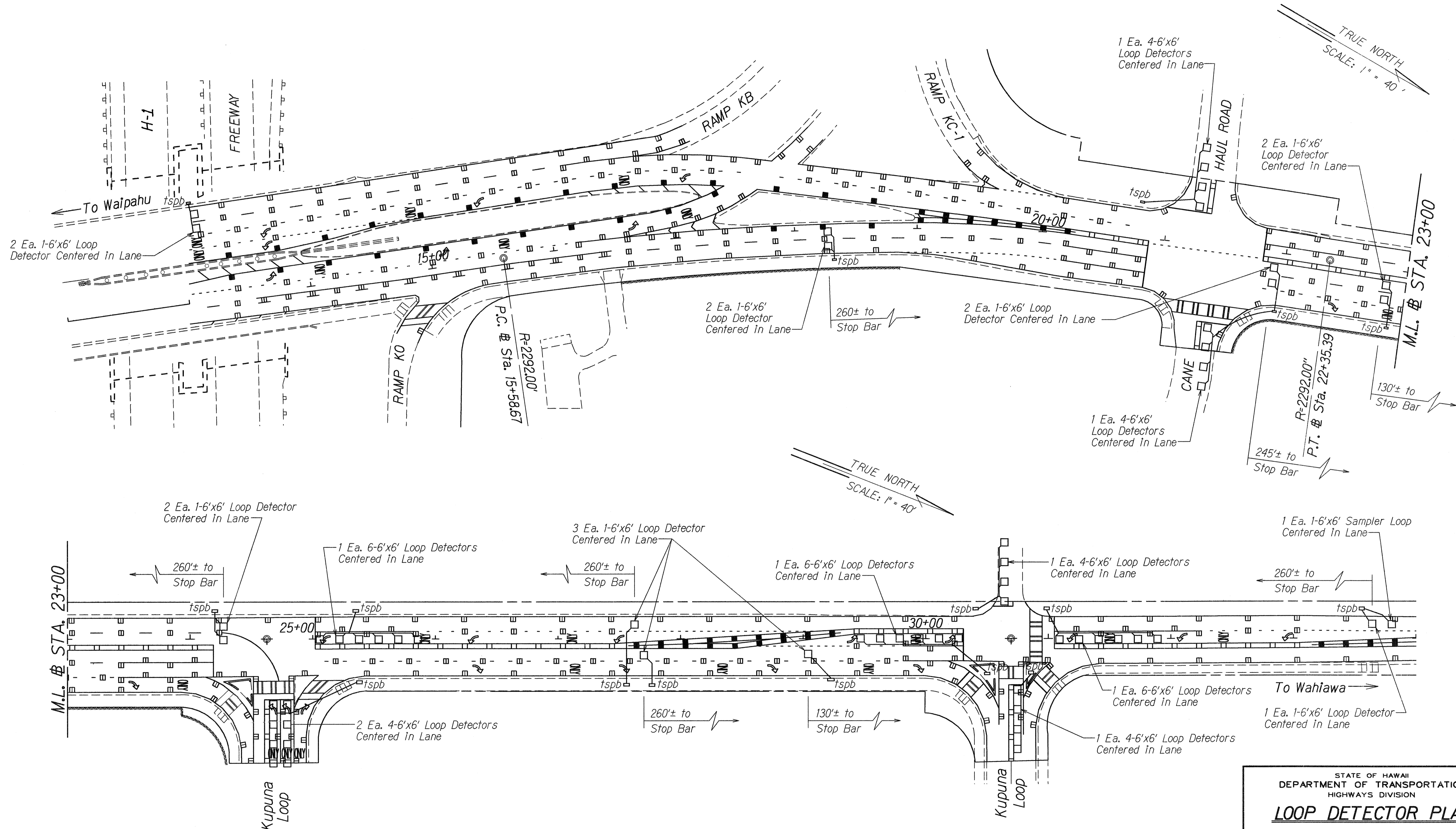
STA. 224+00± RT.

Inst. RM-1 Reflector Markers
w/Flexible Post
(Type B Installation)
Remove Exist. Reflector Markers

SURVEY PLOTTED BY	DATE
DRAWN BY	
TRACED BY	
NOTED BY	
CHECKED BY	
ORIGINAL PLAN	
NOTE BOOK	
No.	

STATE OF HAWAII
DEPARTMENT OF TRANSPORTATION
HIGHWAYS DIVISION
**PAVEMENT MARKING &
SIGNING PLAN**
KUNIA ROAD RESURFACING
H-1 Freeway to Vicinity
of Driving Range
F.A. Project No. STP-0750(8)
Scale: 1" = 40' Date: March 1993
SHEET No. T9 OF 13 SHEETS

FED. ROAD DIST. NO.	STATE	FED. AID PROJ. NO.	FISCAL YEAR	SHEET NO.	TOTAL SHEETS
HAWAII	HAW.	STP-0750(8)	1993	23	26



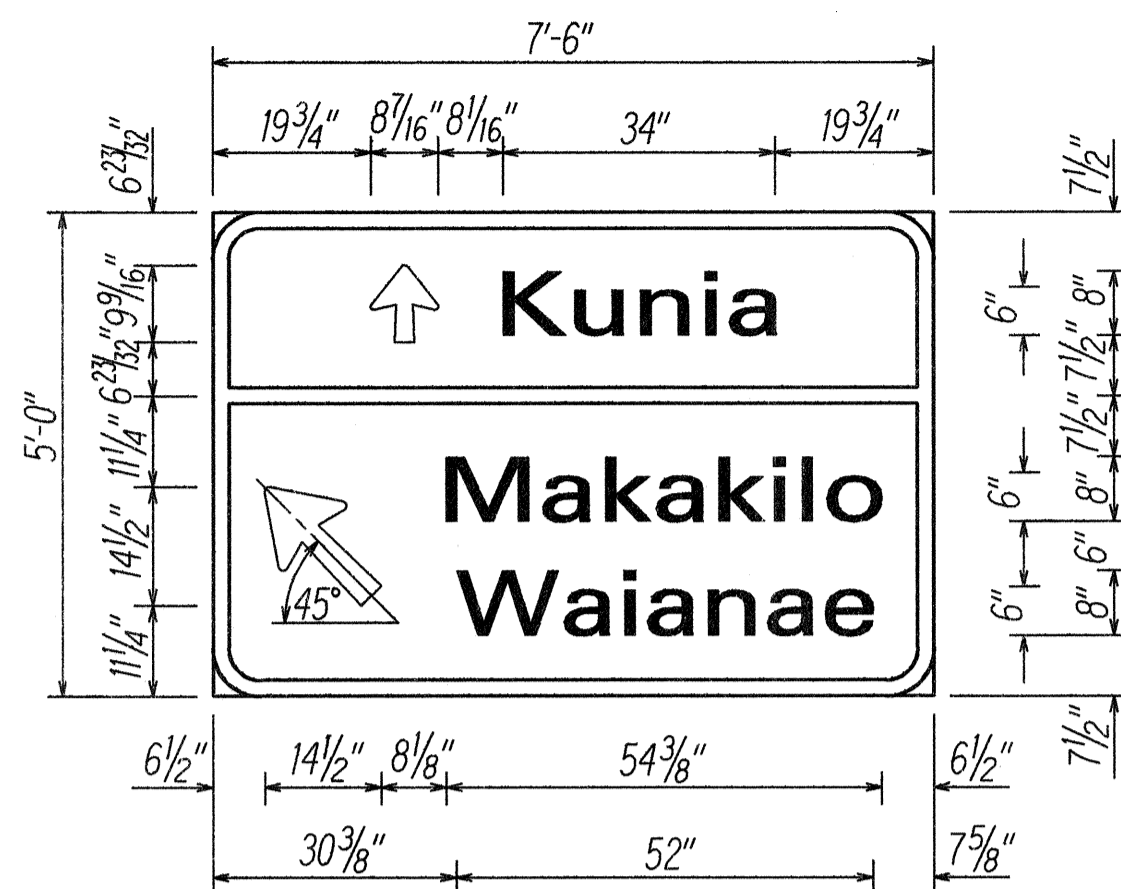
SURVEY PLOTTED BY	DATE
DRAWN BY	
CHECKED BY	
NOTE BOOK	
QUANTITIES BY	
CHECKED BY	
No.	

STATE OF HAWAII
DEPARTMENT OF TRANSPORTATION
HIGHWAYS DIVISION

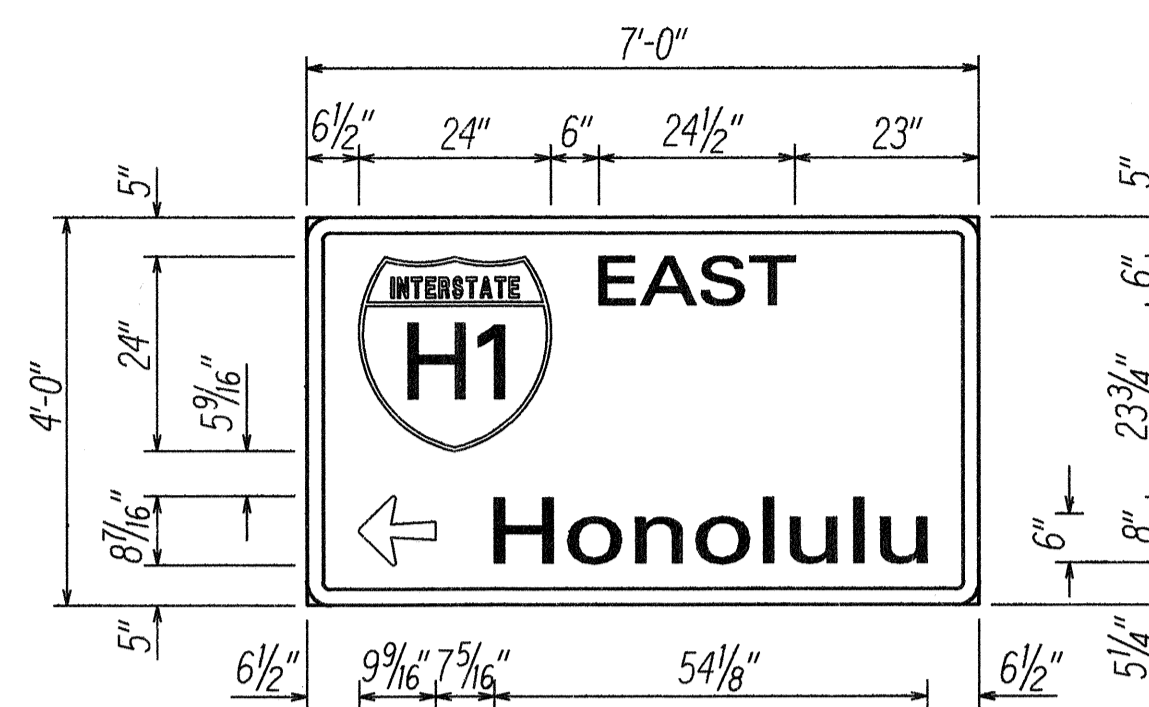
LOOP DETECTOR PLAN
KUNIA ROAD RESURFACING
H-1 Freeway to Vicinity
of Driving Range
F.A. Project No. STP-0750(8)

Scale: 1" = 40' Date: March 1993

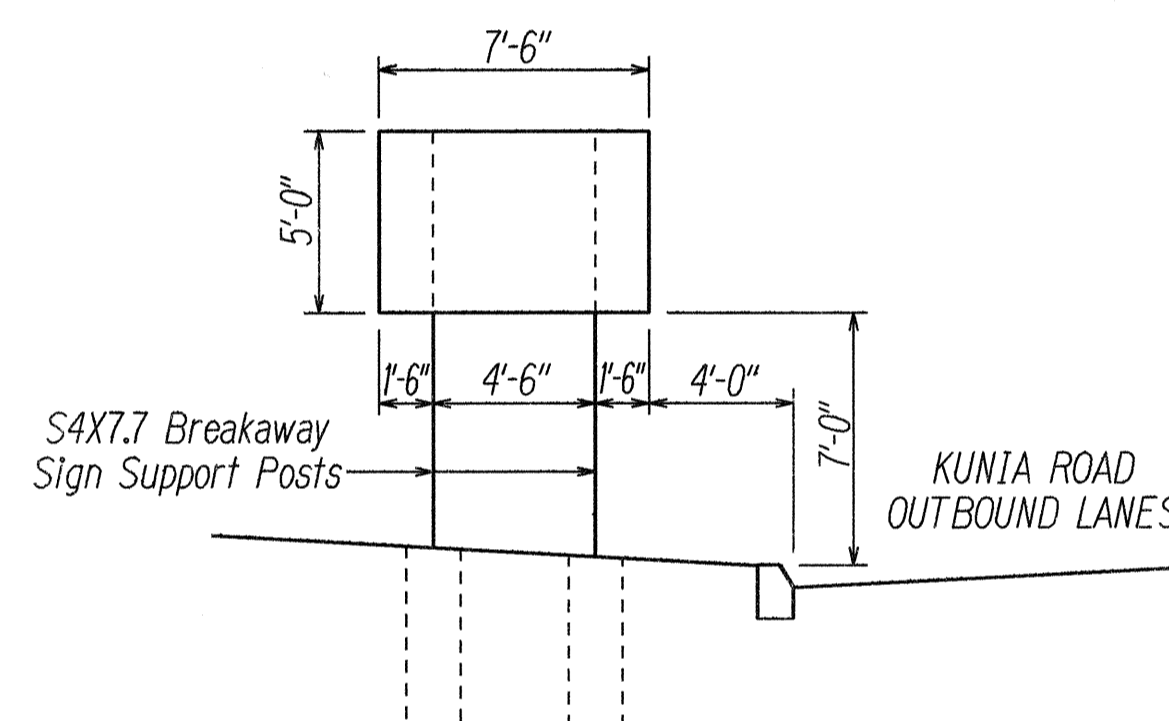
FED. ROAD DIST. NO.	STATE	PROJ. NO.	FISCAL YEAR	SHEET NO.	TOTAL SHEETS
HAWAII	HAW.	STP-0750(8)	1993	24	26



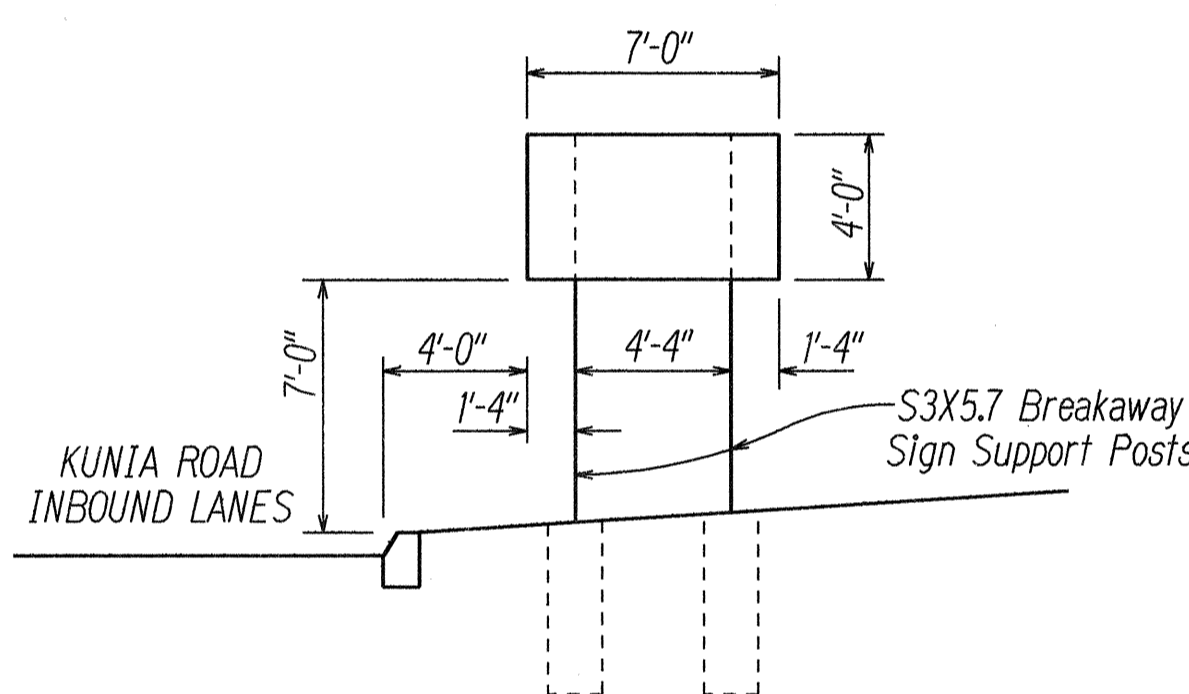
SIGN D-1
Scale: 1/2"=1'-0"



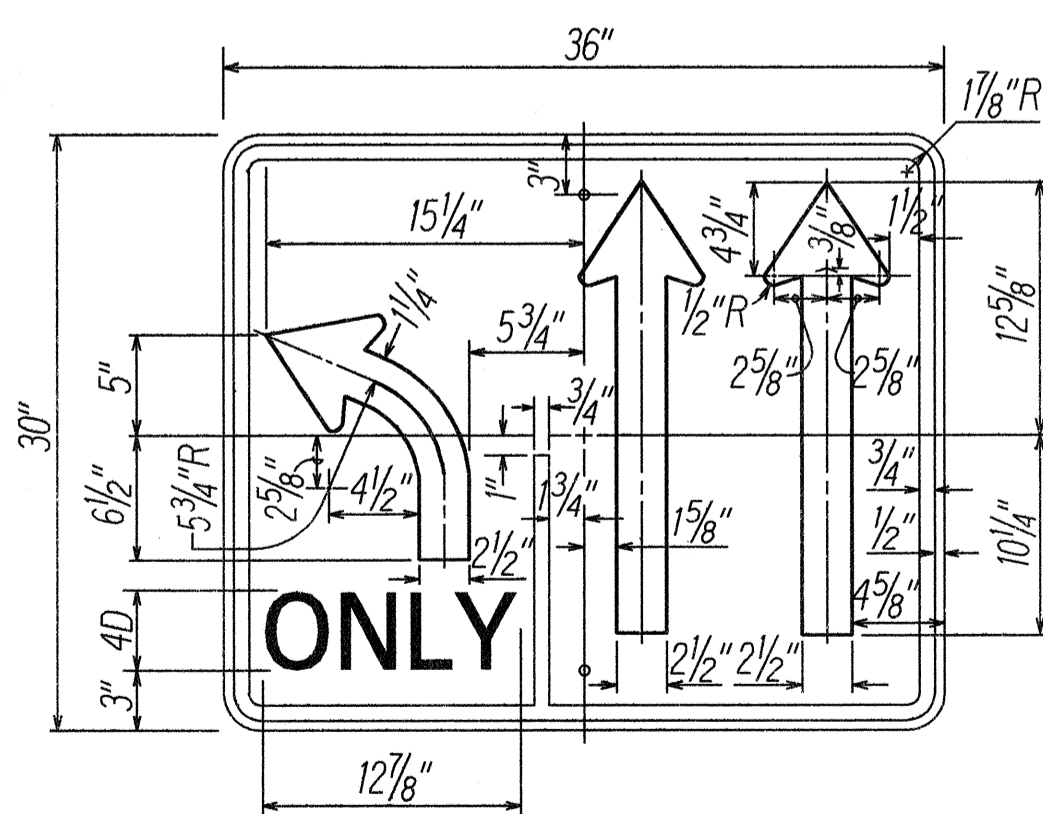
SIGN D-2
Scale: 1/2"=1'-0"



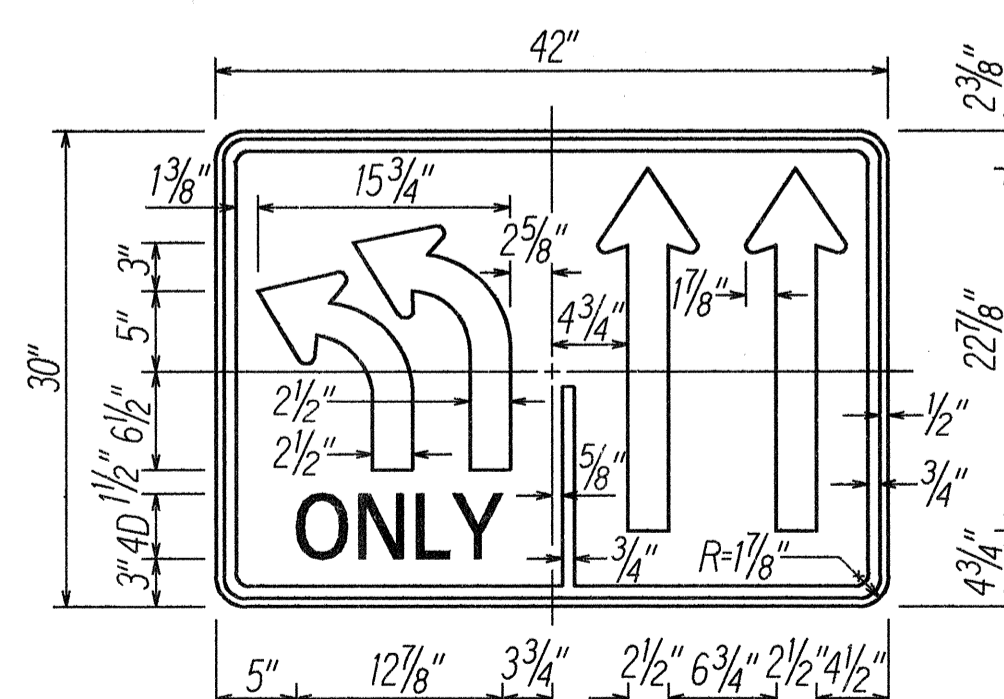
SIGN D-1
Kunia Road Sta. 15+10± Lt.
Scale: 3/16"=1'-0"



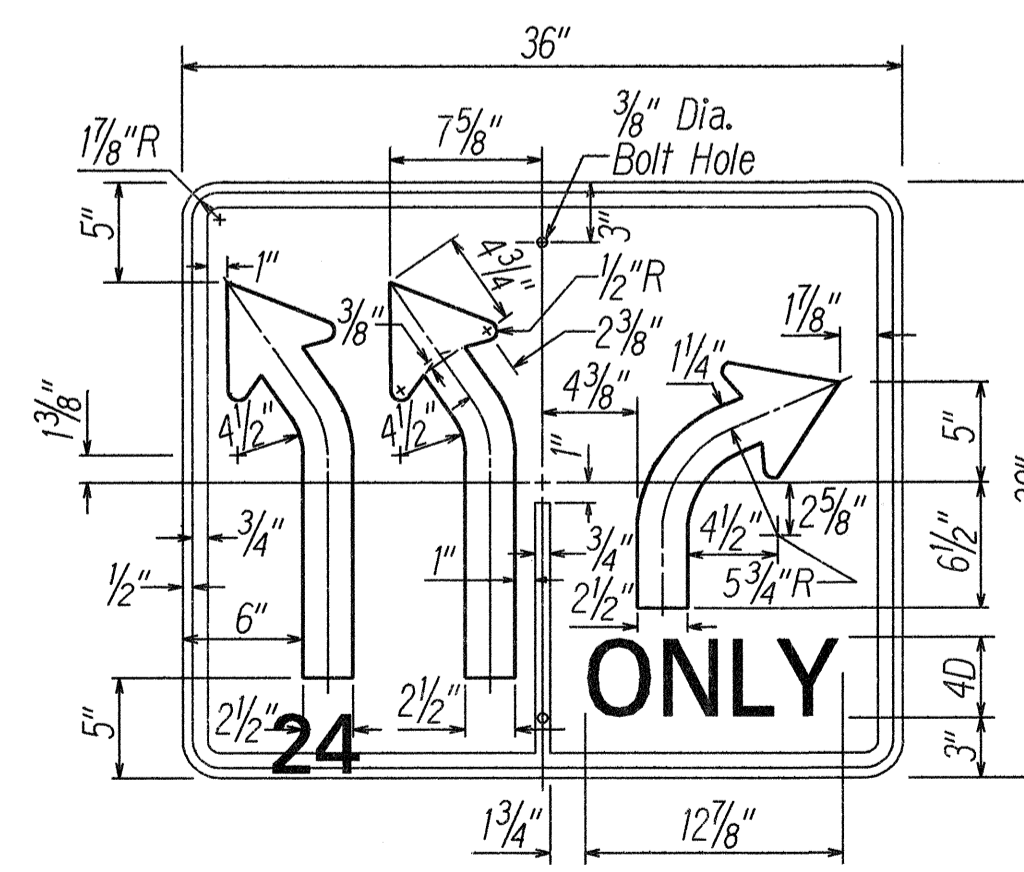
SIGN D-2
Kunia Road Sta. 15+25± Lt.
Scale: 3/16"=1'-0"



R3-8A(L)
Scale: 1/4"=1'-0"



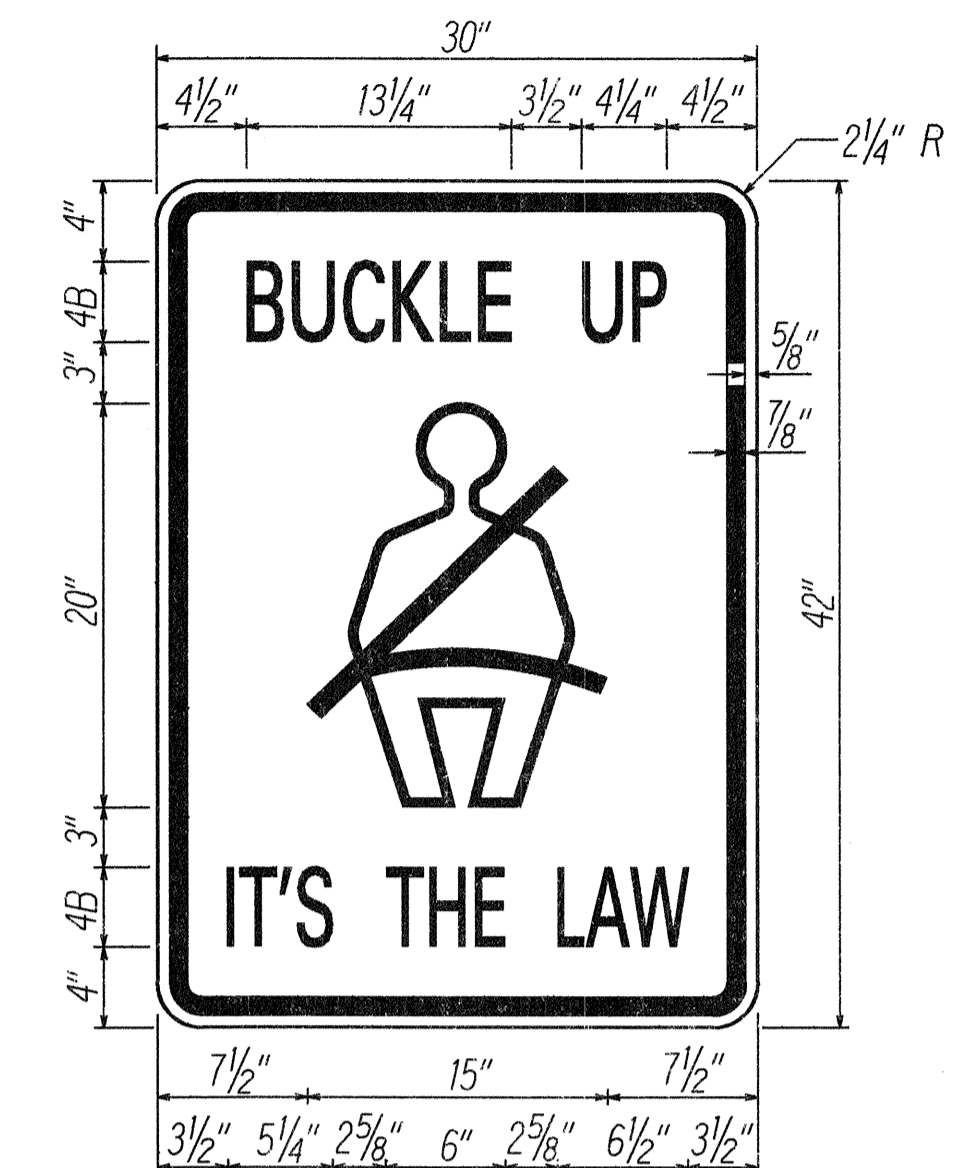
R3-8B(L)
Scale: 1"=1'-0"



R3-12
Scale: 1/4"=1'-0"

DESTINATION (D) SIGN NOTES

1. New sign panels shall be laminated aluminum or extruded aluminum.
2. Letter Size:
 - a. When letters are all uppercase, use series "E"
 - b. When initial uppercase letter is used in conjunction with lowercase letters, use series "E(M) for uppercase"
3. Contractor shall submit all sign splicing details to the Engineer for approval. All backing for signs 4 feet by 6 feet or less shall be of one sheet.
4. Destination Sign Posts shall be as noted on the plans.
5. Removal and disposal of existing sign panels, posts with foundation, luminaires and supports will not be paid for separately, but shall be considered incidental to the various signing items.



R16-1
Scale: 1/4"=1'-0"

NOTE:
1. Signs R3-8A(L), R3-8B(L) and R3-12 are variations of sign R3-8. Plate and arrow details shall conform to sign R3-8.

DATE
SURVEY PLOTTED BY
DRAWN BY
TRACED BY
QUANTITIES BY
CHECKED BY
ORIGINAL PLAN
NOTE BOOK
NO.

STATE OF HAWAII
DEPARTMENT OF TRANSPORTATION
HIGHWAYS DIVISION
**MISCELLANEOUS SIGN DETAILS,
PANEL LAYOUTS & NOTES**
KUNIA ROAD RESURFACING
H-1 Freeway to Vicinity
of Driving Range
F.A. Project No. STP-0750(8)
Scale: As Shown Date: March 1993
SHEET No. 111 OF 13 SHEETS

REFLECTOR MARKER SUMMARY						
TYPE	QUANTITY					
	W/O POST		W/FLEXIBLE POST (TYPE B)		W/STEEL POST	
	YELLOW	WHITE	YELLOW	WHITE	YELLOW	WHITE
RM-1				179		23
RM-9	1				1	

DESTINATION SIGN SUMMARY					
SIGN NO.	LOCATION	MESSAGE	SIZE	NEW PANEL AREA (SQ. FT.)	
				W/O POST	W/POST
D-1	STA. 15+10± LT.	↻ Kunia ↻ Makakilo Waiānae	7'-6"x5'-0"		37.50
D-2	STA. 15+30± LT.	↻ EAST ↻ Honolulu	7'-0"x4'-0"		28.00
TOTAL					65.50

PAVEMENT MARKING SUMMARY	
DESCRIPTION	QUANTITY
PAVEMENT MARKERS	
TYPE A _____	500 Each
TYPE C _____	1,280 Each
TYPE D _____	650 Each
TYPE H _____	250 Each
TYPE J _____	2,100 Each
TAPE - TYPE I OR THERMOPLASTIC EXTRUSION	
4-INCH PAVEMENT STRIPE (WHITE) _____	300 L.F.
4-INCH PAVEMENT STRIPE (YELLOW) _____	5,400 L.F.
8-INCH PAVEMENT STRIPE (WHITE) _____	2,400 L.F.
DOUBLE 4-INCH PAVEMENT STRIPE (YELLOW) _____	2,400 L.F.
TAPE - TYPE II OR THERMOPLASTIC EXTRUSION	
4-INCH PAVEMENT STRIPE (WHITE) _____	42,200 L.F.
4-INCH PAVEMENT STRIPE (YELLOW) _____	1,800 L.F.
8-INCH PAVEMENT STRIPE (WHITE) _____	1,300 L.F.
12-INCH PAVEMENT STRIPE (WHITE) _____	280 L.F.
12-INCH PAVEMENT STRIPE (YELLOW) _____	120 L.F.
DOUBLE 4-INCH PAVEMENT STRIPE (YELLOW) _____	1,100 L.F.
TAPE - TYPE III OR THERMOPLASTIC EXTRUSION	
4-INCH PAVEMENT STRIPE (WHITE) _____	1,500 L.F.
4-INCH PAVEMENT STRIPE (YELLOW) _____	100 L.F.
12-INCH PAVEMENT STRIPE (WHITE) _____	450 L.F.
CROSSWALK MARKINGS _____	17 Lane
PAVEMENT ARROW _____	24 Each
PAVEMENT WORD _____	20 Each

ROUTE MARKER SUMMARY						
SIGN ASSEMBLY	LOCATION	SIGN NO. AND MESSAGE	TYPE A ASSEMBLY		TYPE B ASSEMBLY	
			W/POST	W/O POST	W/POST	W/O POST
IRM-1	STA. 13+20± RT.	IM3-4-A WEST HI IM-1(2) ↙ IM6-2(L) M3-1-A NORTH 750 M1-6(750) ↑ M6-3			1	
IRM-2	STA. 20+25± LT.	IM3-2-A EAST HI IM-1(2) ↑ IM6-3 IM3-4-A WEST HI IM-1(2) ↘ IM6-2(R)			1	
SRM-1	STA. 107+00± LT.	M3-3 SOUTH 750 M1-6(750)	1			
SRM-2	STA. 107+00± RT.	M3-1 NORTH 750 M1-6(750)	1			
SRM-3	STA. 211+00± LT.	M3-3 SOUTH 750 M1-6(750)	1			
SRM-4	STA. 216+00 RT.	M3-1 NORTH 750 M1-6(750)	1			
TOTAL			4		2	

CONSTRUCTION SIGN SUMMARY				
SIGN NO.	LOCATION	MESSAGE	W/POST	W/O POST
CG20-2	STA. 8+00± LT.	END CONSTRUCTION	1	
CW20-1d	STA. 8+00± RT.	ROAD CONSTRUCTION AHEAD	1	
CW20-1d	STA. 229+20± LT.	ROAD CONSTRUCTION AHEAD	1	
CG20-2	STA. 229+20± RT.	END CONSTRUCTION	1	
TOTAL			4	

BIKE ROUTE SIGN SUMMARY			
SIGN NO.	MESSAGE	QUANTITY	
		10 SQ. FT. OR LESS	
		W/POST	W/O POST
D11-1	BIKE ROUTE		8
M4-12	END		1
M7-1	←		1
M7-2	↑		6
TOTAL			16

SURVEY PLOTTED BY _____ DATE _____
 DRAWN BY _____
 CHECKED BY _____
 QUANTITIES BY _____
 ORIGINAL PLAN _____
 NOTE BOOK _____
 NO. _____

STATE OF HAWAII
 DEPARTMENT OF TRANSPORTATION
 HIGHWAYS DIVISION
MISCELLANEOUS TRAFFIC SUMMARIES
KUNIA ROAD RESURFACING
 H-1 Freeway to Vicinity
 of Driving Range
 F.A. Project No. STP-0750(8)
 Date: March 1993

