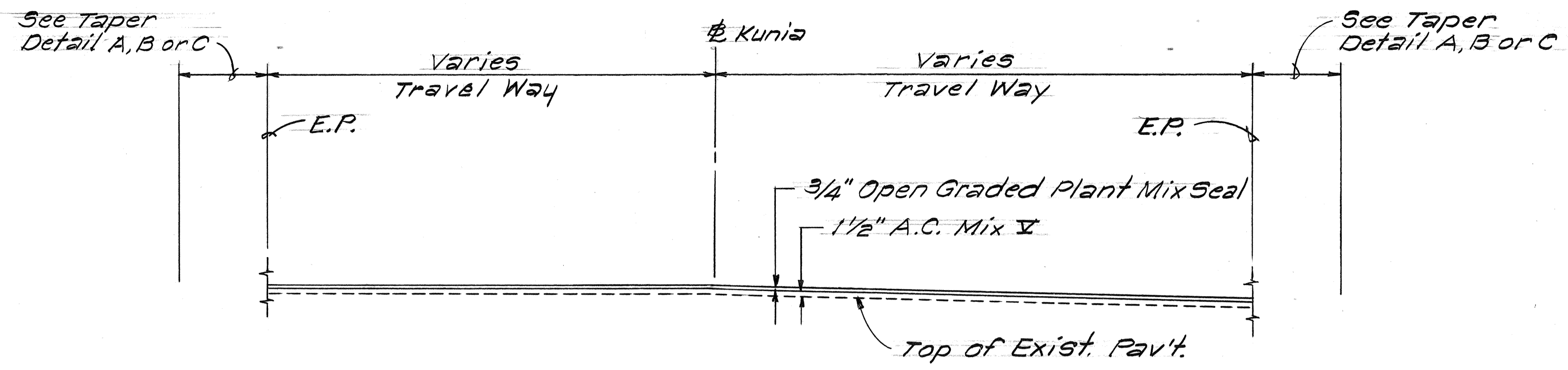
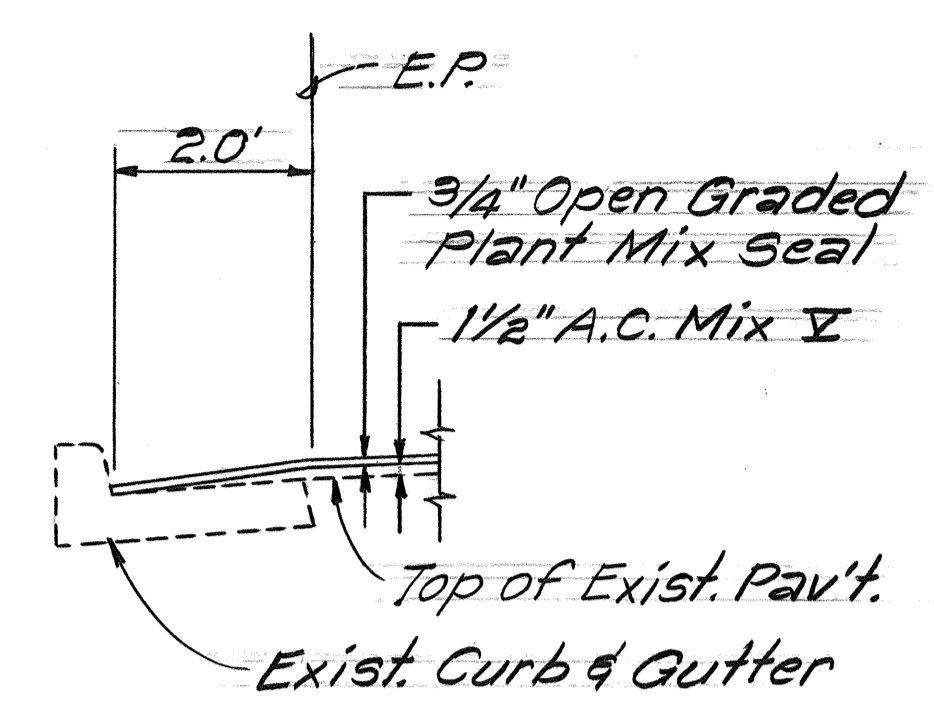


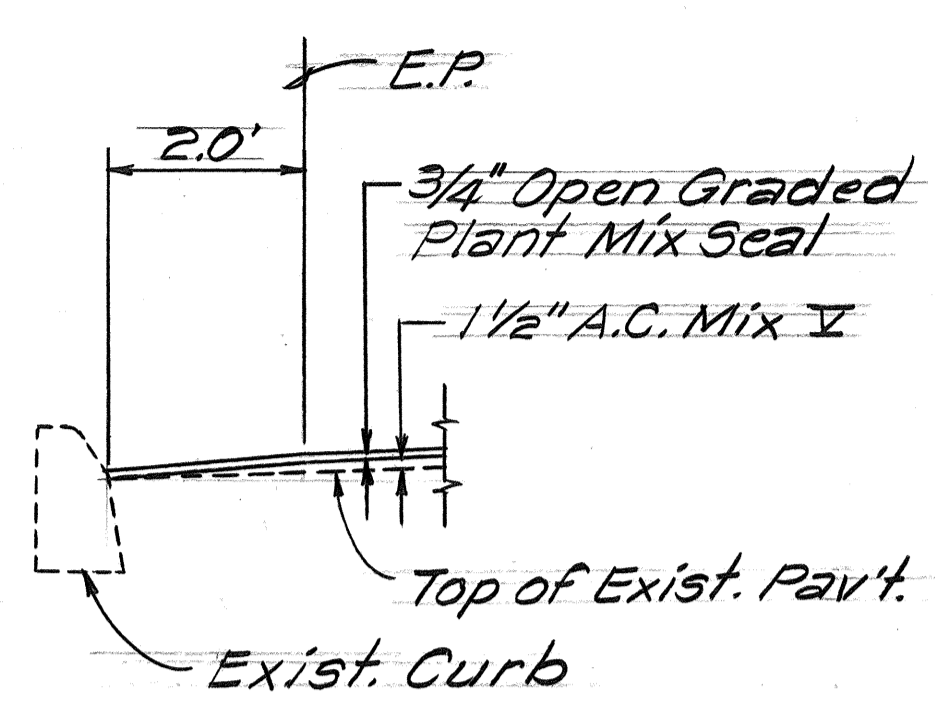
FED. ROAD DIST. NO.	STATE	PROJ. NO.	FISCAL YEAR	SHEET NO.	TOTAL SHEETS
HAWAII	HAW.	750A-01-82M	1982	2	24



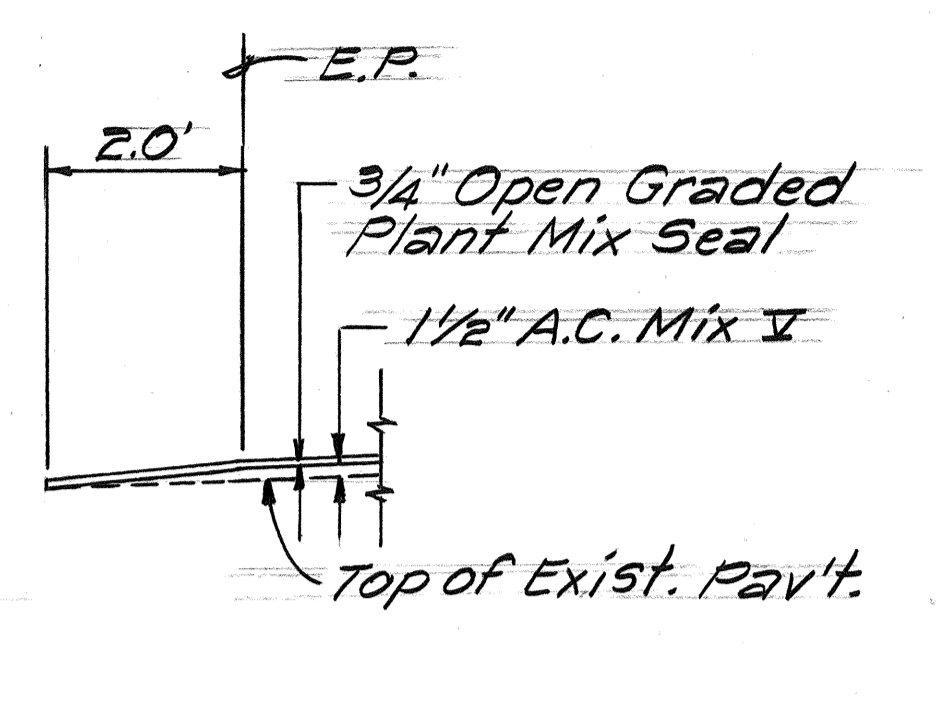
TYPICAL SECTION
 # STA. 10+00 TO # STA. 22+35
 Scale: 1/2"=1'-0"



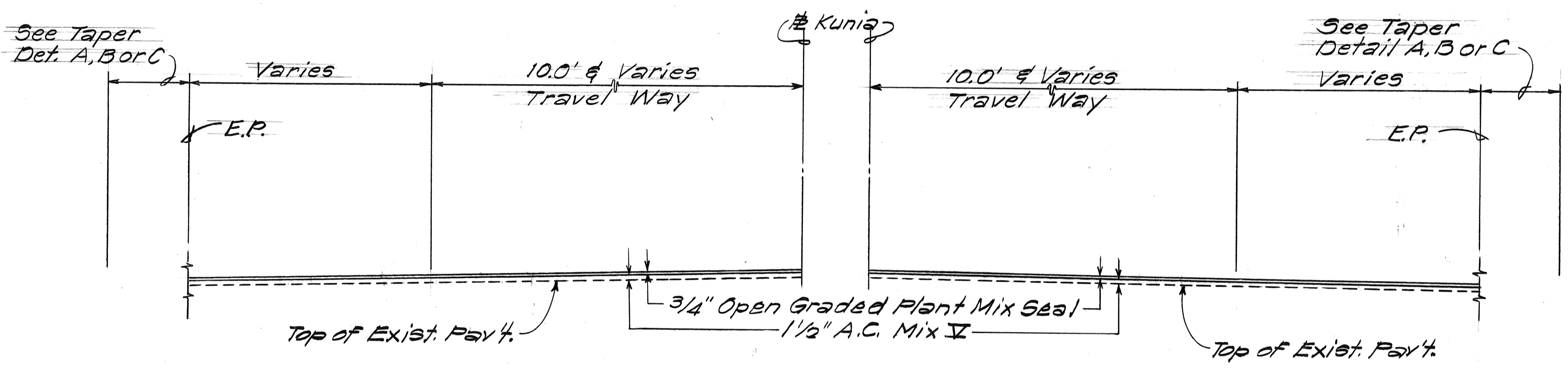
TAPER DETAIL A
 Scale: 1/2"=1'-0"



TAPER DETAIL B
 Scale: 1/2"=1'-0"



TAPER DETAIL C
 Scale: 1/2"=1'-0"

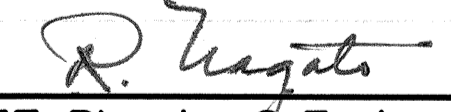


TYPICAL HALF SECTION
 # STA. 22+35 TO # STA. 32+90±
 Scale: 1/2"=1'-0"

TYPICAL HALF SECTION
 # STA. 22+35 TO # STA. 37+85±
 Scale: 1/2"=1'-0"

GENERAL NOTES:

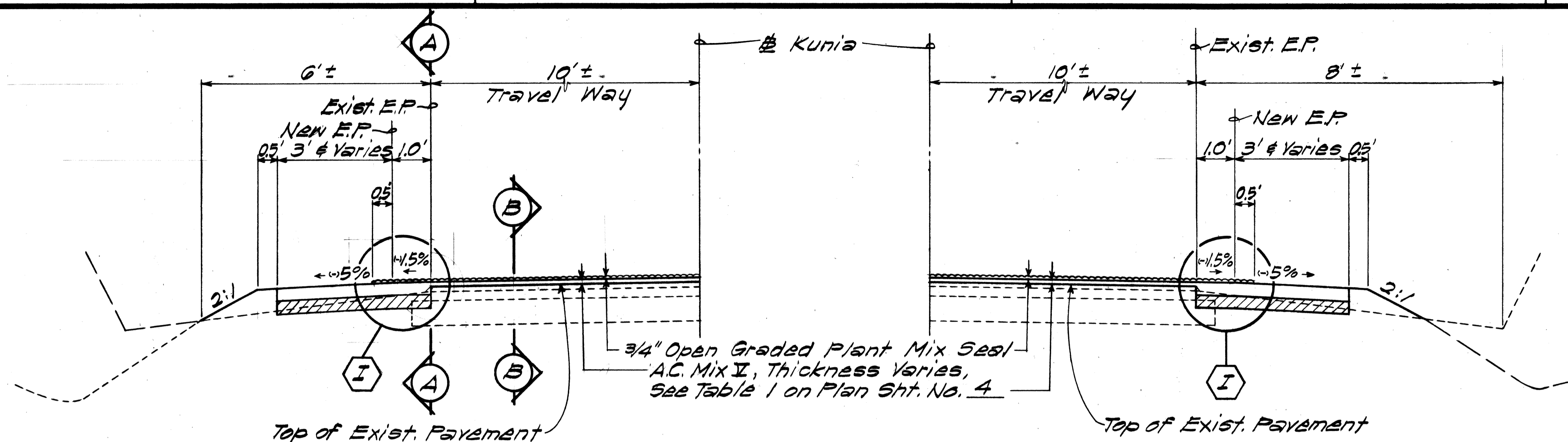
- The Project Limits are, Begin # Sta. 10+00 and End # Sta. 185+00±. Improvements consist of reconstruction of weakened pavement areas, resurfacing with A.C. Mix No. V, roadway widening, paved shoulders, pavement markers and striping.
- The existing pavement shall be prepared for resurfacing by brooming and tack coating. Brooming off shall not be paid for separately but shall be incidental to A.C. Mix No. V. All cracks, depressions and holes encountered in the existing pavement shall be cleaned of loose material and filled and compacted with Mix No. V asphalt concrete, payment for which shall be incidental to A.C. Mix No. V.
- The prepared surface shall be resurfaced to the thicknesses as shown and specified on the plans.
- Smooth riding transitions shall be provided at all end transitions and varying asphalt thicknesses.
- All existing A.C. pavement at median openings, acceleration and deceleration lanes shall be resurfaced as shown on the plans.
- Pavement Markers shall be furnished and installed in accordance with Special Provision and as shown on the plans.
- The locations of the weakened areas as shown on the plans are only approximate and the exact locations shall be determined in the field by the Engineer.
- Adjustment to finish elevation of manholes, street survey monuments and water valves shall be as shown on PLAN SHEET No. 4. Also only those manholes, survey monuments and water valves within the new pavement limits shall be adjusted.
- Unless otherwise specified, all materials and construction of water system facilities and appurtenances shall be in accordance with the Standard Specifications for Road and Bridge Construction, dated 1976, as amended, of the Hawaii Highways Division, Department of Transportation.
- The Contractor shall notify the Board of Water Supply in writing one week prior to commencing work on the water system.
- The existence and location of underground utilities and structures as shown on the plans are from the latest available data but is not guaranteed as to the accuracy or the encountering of other obstacles during the course of the work. The Contractor shall be responsible and shall pay for all damages to existing utilities.
- Any adjustments to the existing water system required during construction to meet requirements of BWS Standards, whether shown on the plans or not, shall be done by the Contractor at no cost to the Board.
- Engineer to contact Jerry Martin, phone 455-1333, one week prior for raising of manholes.

APPROVED:

 CHIEF, Planning & Engineering BWS Date: 3-3-82

STATE OF HAWAII
 DEPARTMENT OF TRANSPORTATION
 LAND TRANSPORTATION FACILITIES DIVISION
TYPICAL SECTIONS
& GENERAL NOTES
 KUNIA ROAD RESURFACING
 Proj. No. 750A-01-82M
 Scale: As Shown Date: Nov. 1981
 SHEET No. 1 OF 3 SHEETS

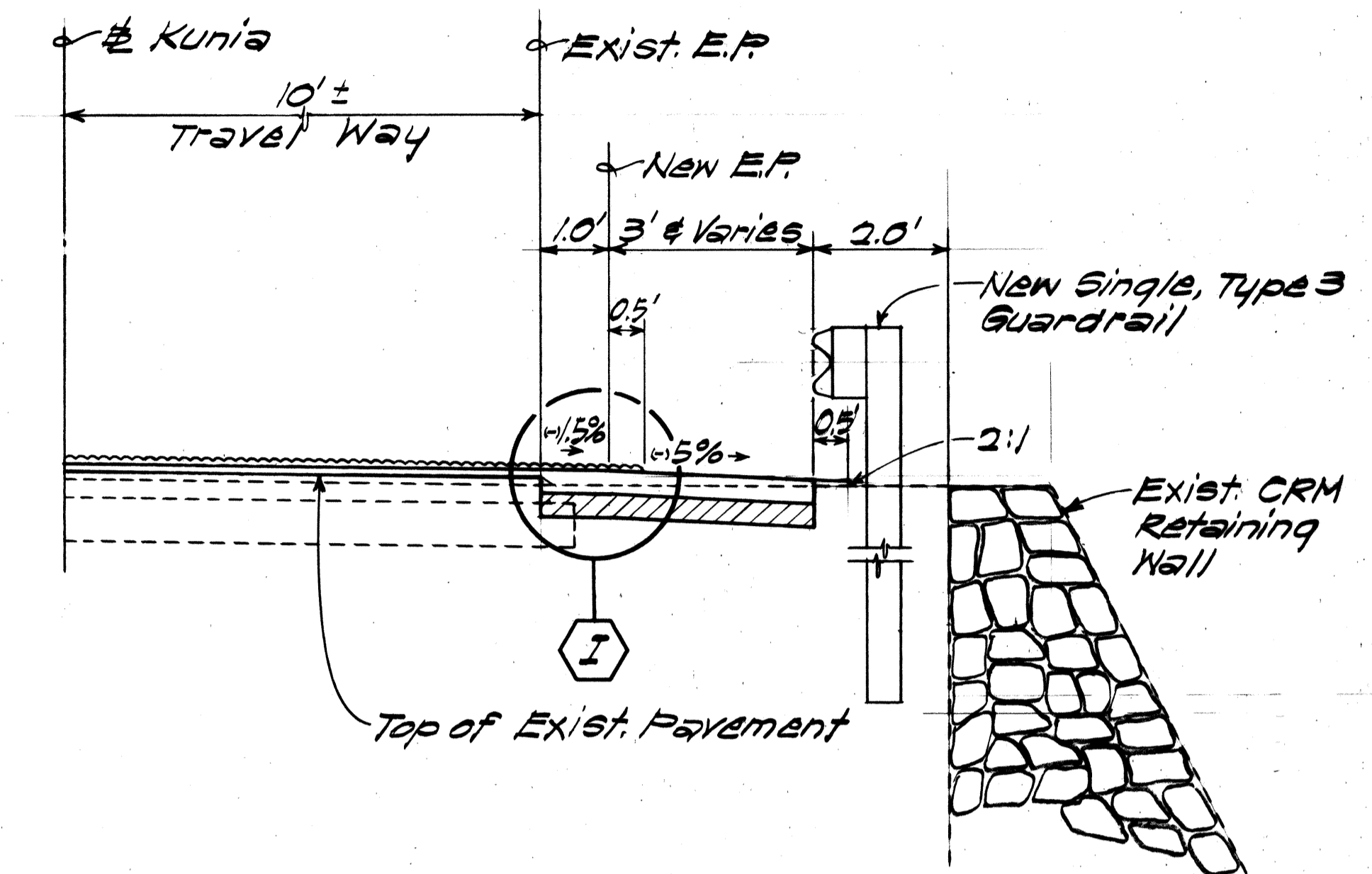
DATE: _____
 SURVEY PLOTTED BY: _____
 DRAWN BY: _____
 CHECKED BY: _____
 DESIGNED BY: _____
 QUANTITIES BY: _____
 NO. _____

FED. ROAD DIST. NO.	STATE	PROJ. NO.	FISCAL YEAR	SHEET NO.	TOTAL SHEETS
HAWAII	HAW.	750A-01-82M	1982	3	34

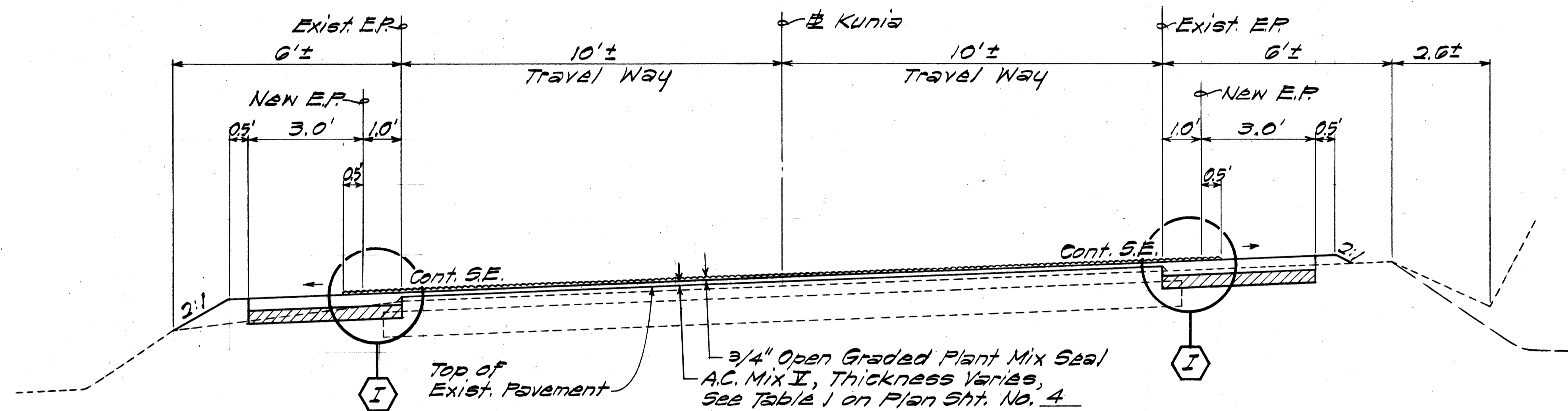


TYPICAL HALF SECTION ON TANGENT
 # STA. 32+90± TO # STA. 185+00±
 Scale: 1/2" = 1'-0"

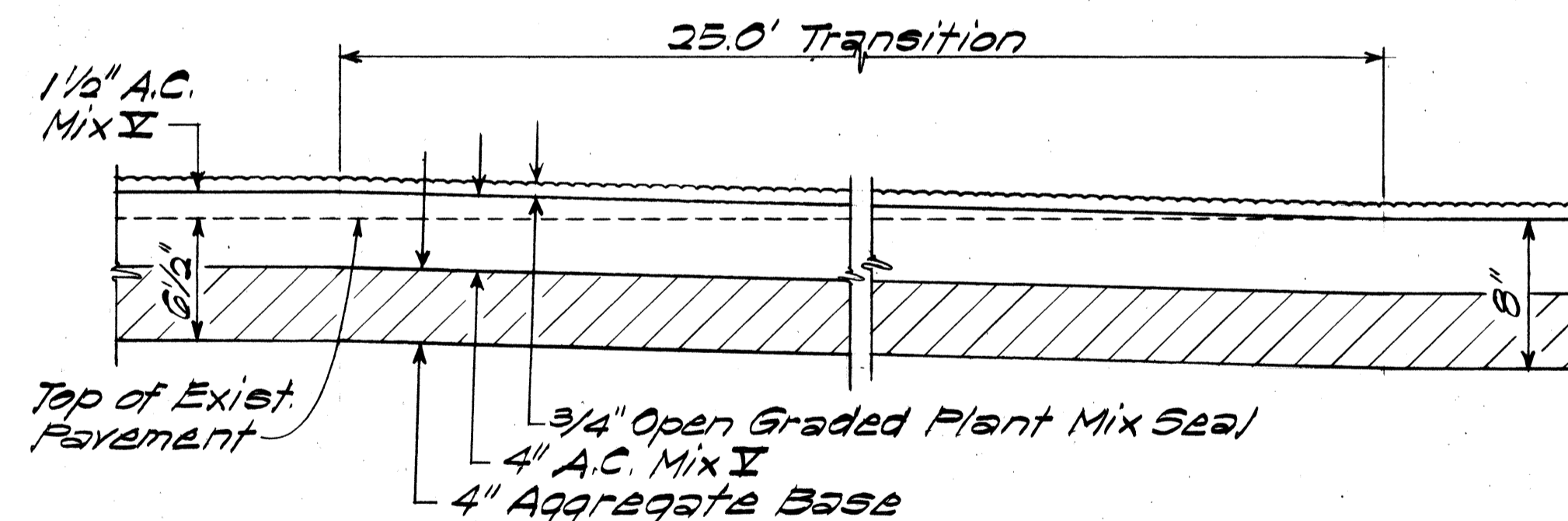
TYPICAL HALF SECTION ON TANGENT
 # STA. 37+85± TO # STA. 185+00±
 Scale: 1/2" = 1'-0"



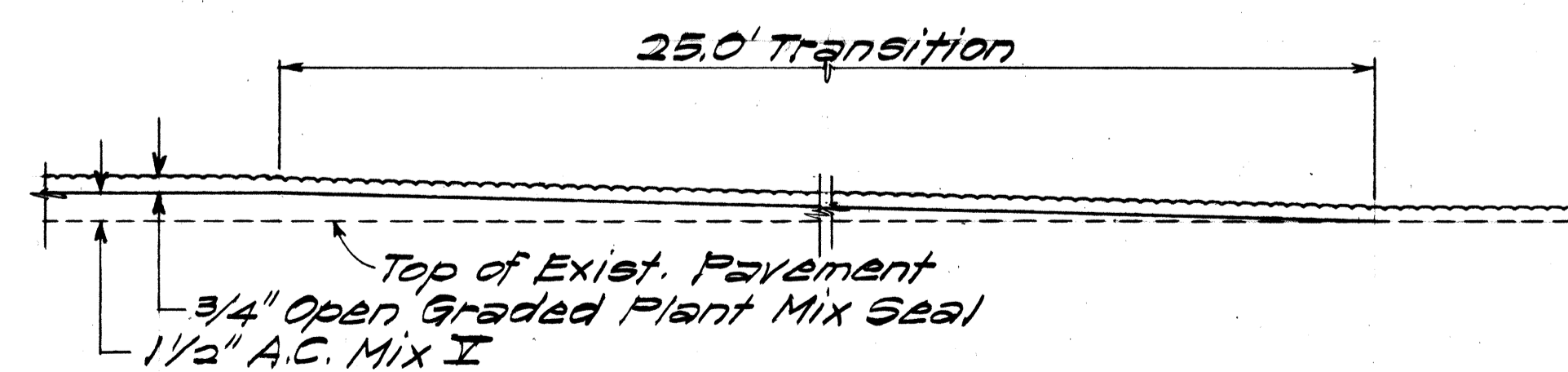
TYPICAL HALF SECTION ON TANGENT
 # STA. 58+30± TO # STA. 66+40±
 Scale: 1/2" = 1'-0"



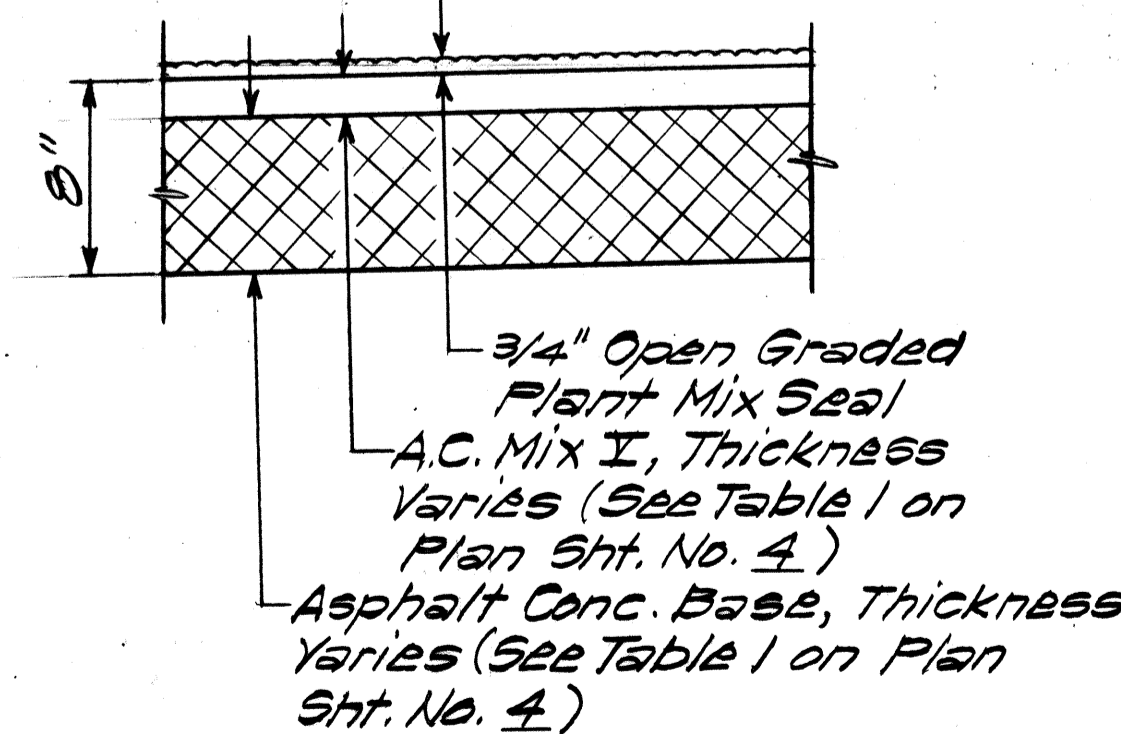
TYPICAL SECTION ON CURVE
 Scale: 1/2" = 1'-0"



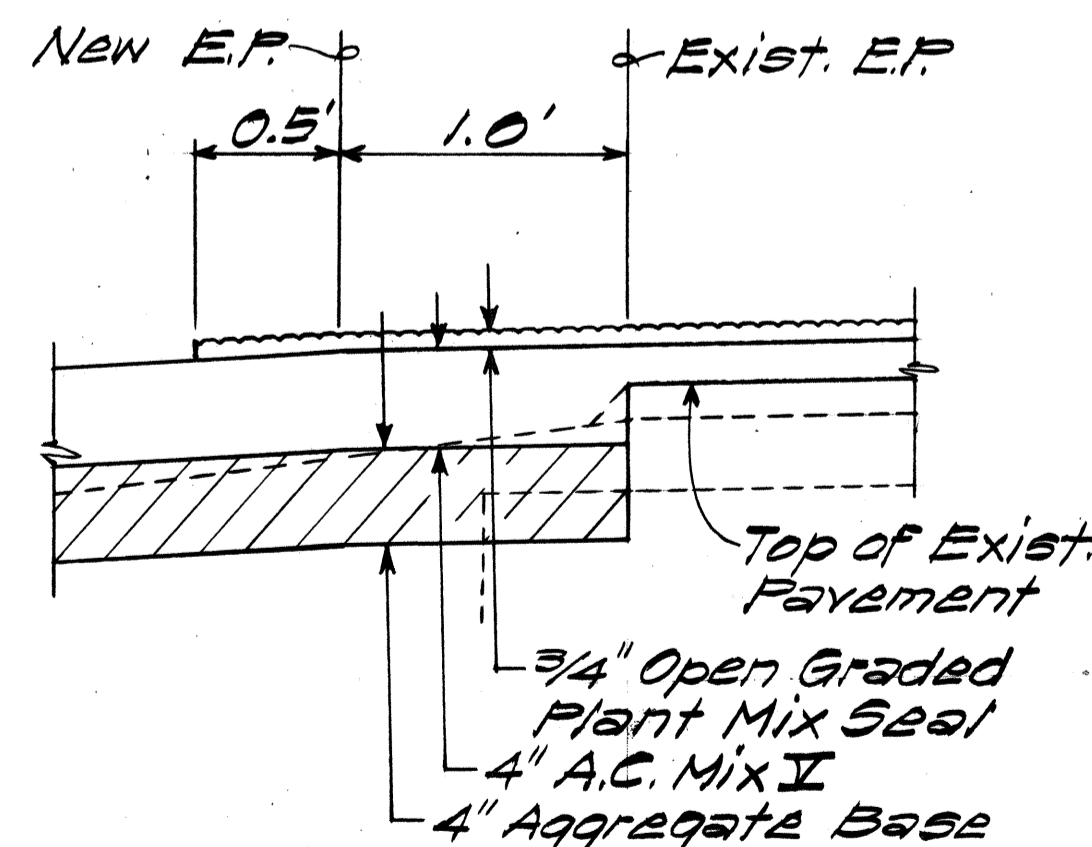
SECTION A-A ~ TRANSITION DETAIL
 1 1/2" A.C. MIX II TO 0" A.C. MIX II
 Scale: 1/2" = 1'-0"



SECTION B-B ~ TRANSITION DETAIL
 1 1/2" A.C. MIX II TO 0" A.C. MIX II
 Scale: 1/2" = 1'-0"



RECONSTRUCTION OF WEAKENED PAVEMENT AREAS DETAIL
 Scale: 1/2" = 1'-0"

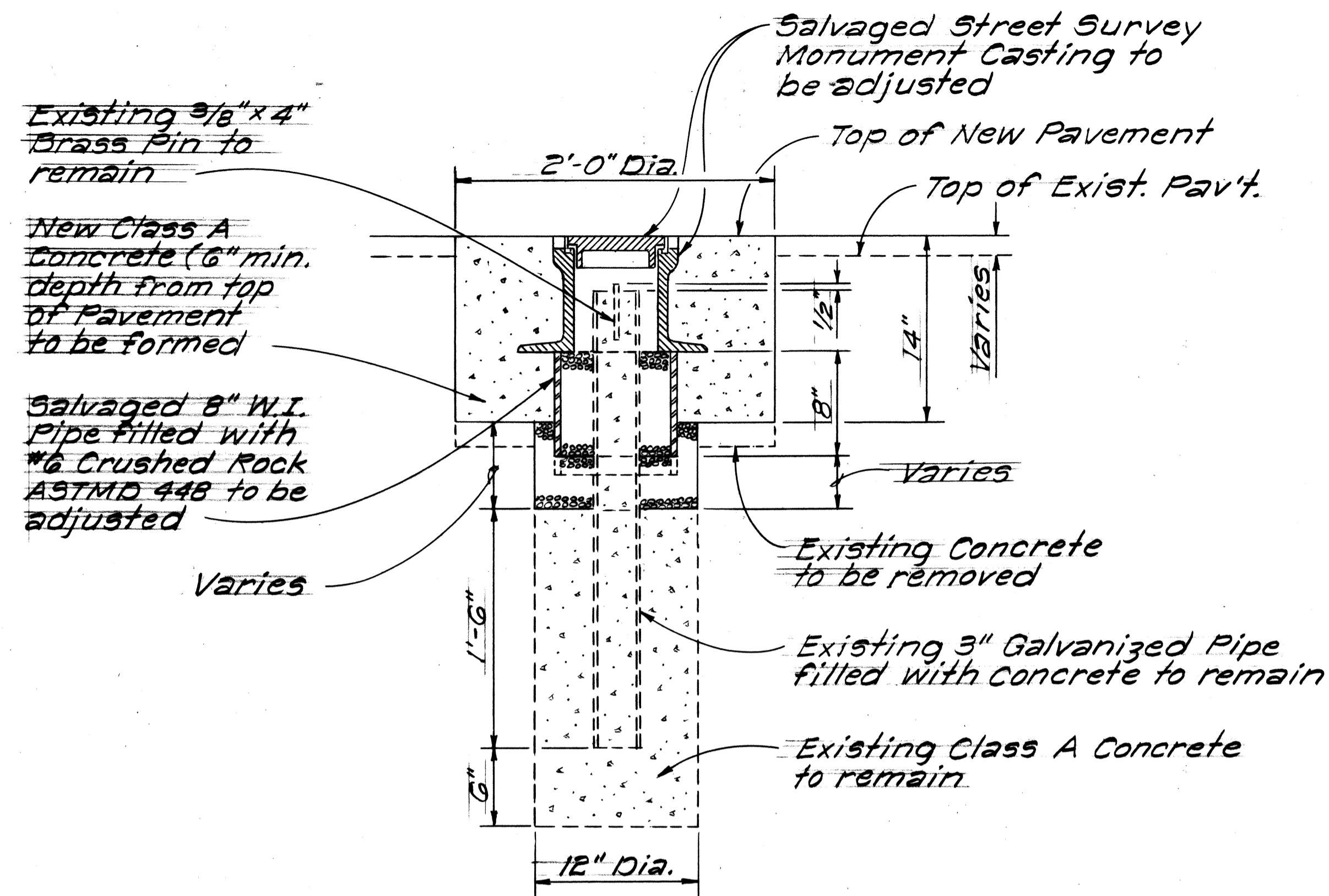


DETAIL I
 Scale: 1/2" = 1'-0"

DATE	
SURVEY PLOTTED BY	
DRAWN BY	
TRACED BY	
QUANTITIES BY	
CHECKED BY	
NO. BOOK	
No.	

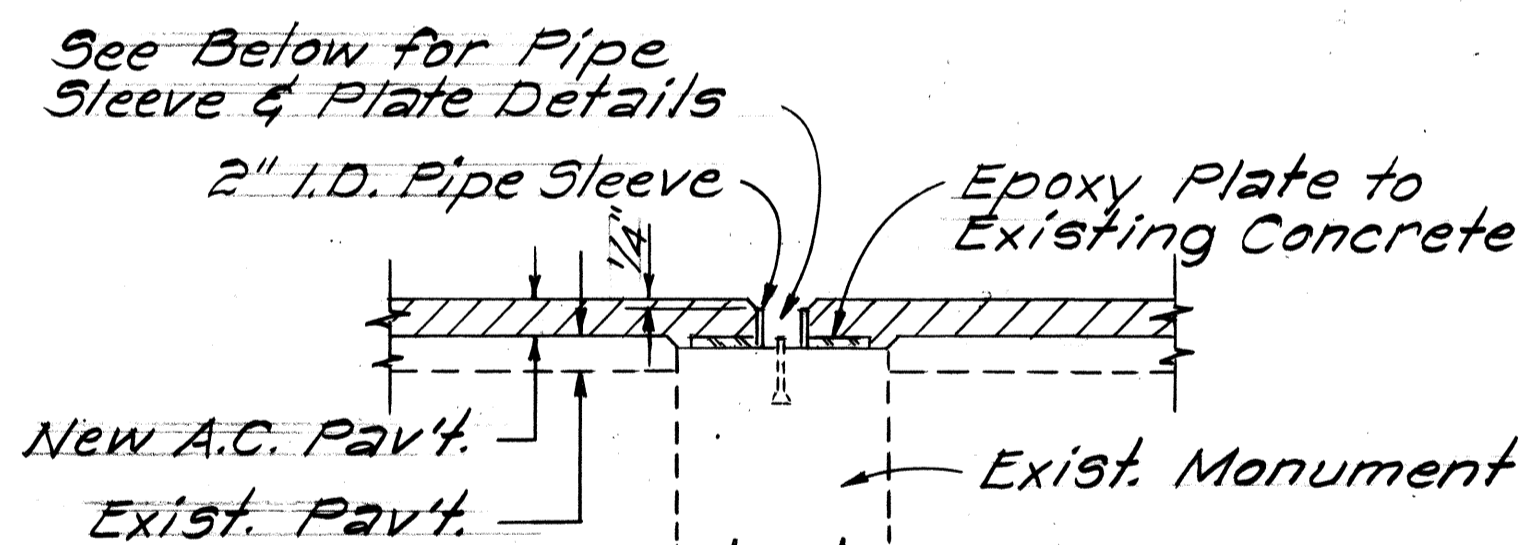
STATE OF HAWAII
 DEPARTMENT OF TRANSPORTATION
 LAND TRANSPORTATION FACILITIES DIVISION
TYPICAL SECTIONS & DETAILS
 KUNIA ROAD RESURFACING
 Proj. No. 750A-01-82M
 Scale: As Shown Date: Nov. 1981
 SHEET NO. 2 OF 3 SHEETS

FED. ROAD DIST. NO.	STATE	PROJ. NO.	FISCAL YEAR	SHEET NO.	TOTAL SHEETS
HAWAII	HAW.	750A-01-82M	1982	4	24



TYPICAL STREET SURVEY MONUMENT ADJUSTMENT

Scale: 1/2" = 1'-0"



SECTION THRU MONUMENT

Provide 2 Holes, one at opposite corners to drive Conc. Nails

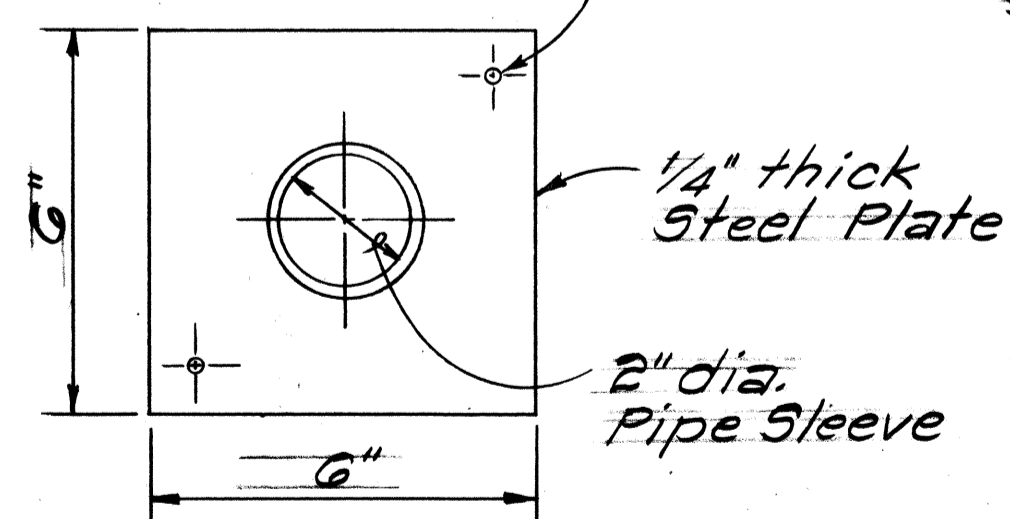


PLATE PLAN

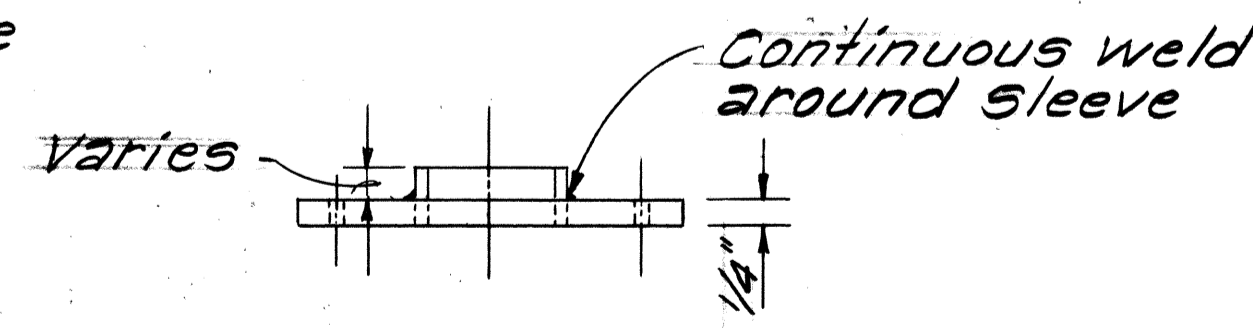
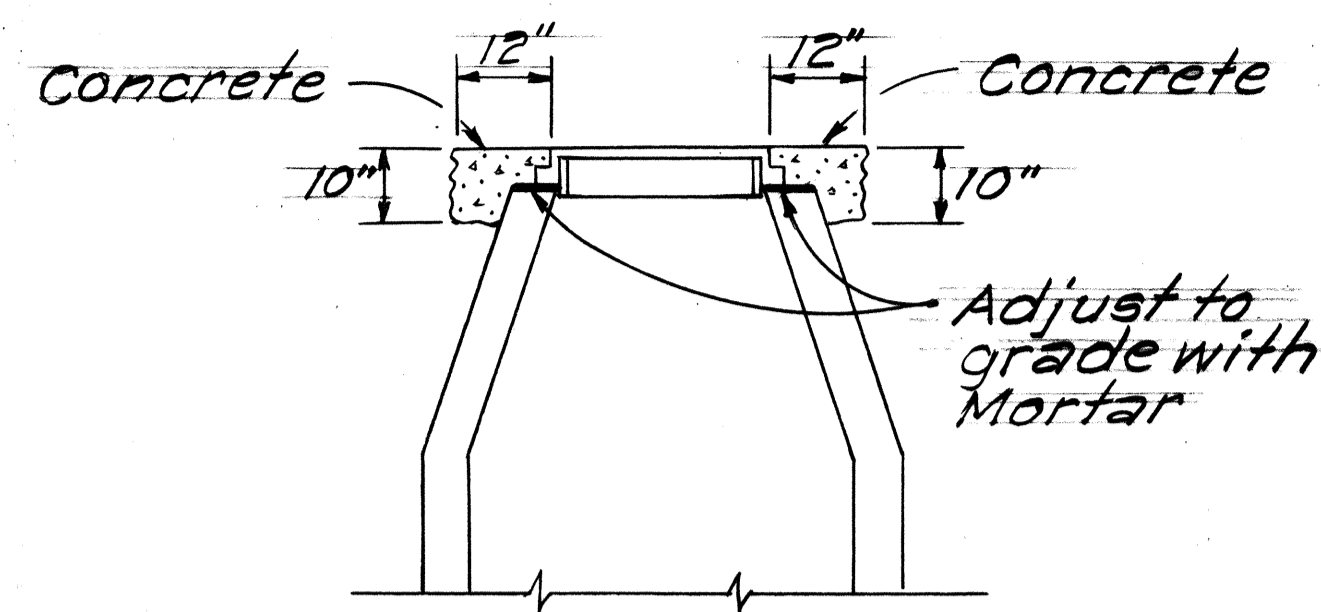


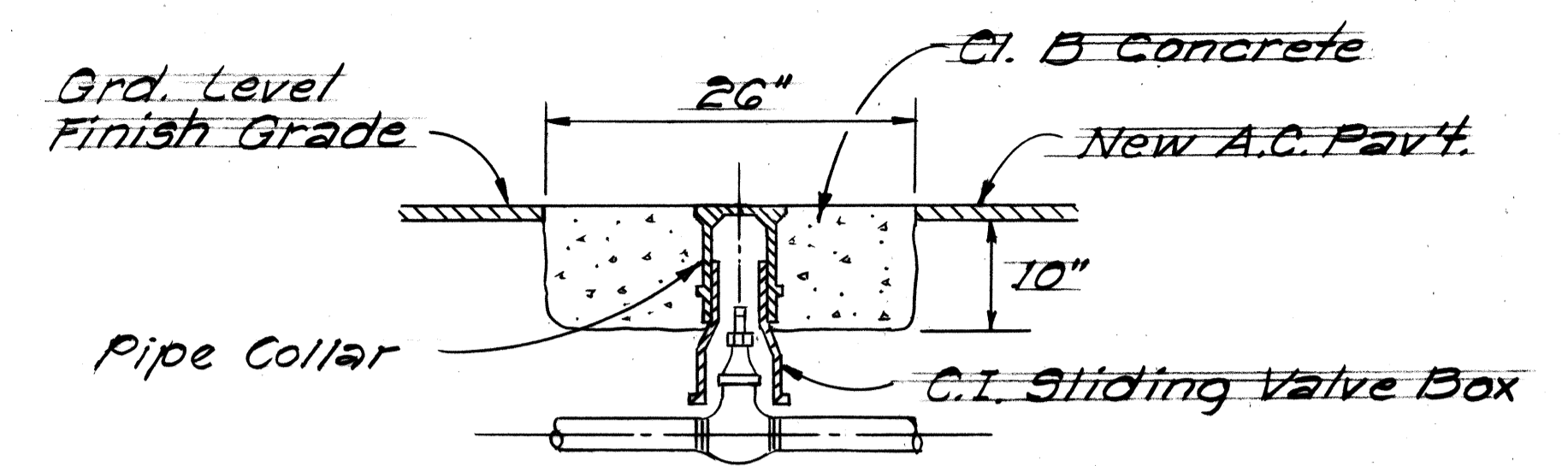
PLATE ELEVATION

DETAIL FOR ADJUSTING & AND REFERENCE SURVEY MONUMENT

Not to Scale



ADJUSTED MANHOLE AND AIR RELIEF VALVE BOX
Not to Scale



ADJUSTED WATER VALVE BOX
Not to Scale

TABLE 1

RECONSTRUCTION AND RESURFACING SCHEDULE

STATION TO STATION	RECONSTRUCTION OF WEAKENED PAVEMENT AREAS					RESURFACING TABLE	
	AREA (S.F.)	ACB DEPTH (IN.)	TON/S.F. (IN.)	ACB WEIGHT (TON)	ACB VOL. (C.Y.)	A.C. MIX & RESURFACING THICKNESS IN INCHES	OPEN GRADED PLANT MIX SEAL THICKNESS IN INCHES
10+00 TO 22+35	0	0.0	.00665	0.00	0.00	0.0	0.75
22+35 TO 48+65	940	6.5	.00665	40.63	18.86	1.5	0.75
48+65 TO 66+35	260	8.0	.00665	13.83	6.42	0.0	0.75
66+35 TO 89+75	885	6.5	.00665	38.25	17.75	1.5	0.75
89+75 TO 105+05	1680	8.0	.00665	89.38	41.48	0.0	0.75
105+05 TO 127+75	2630	6.5	.00665	113.68	52.76	1.5	0.75
127+75 TO 157+75	2358	8.0	.00665	125.45	58.22	0.0	0.75
157+75 TO 185+00±	2333	8.0	.00665	120.39	57.60	0.0	0.75
TOTAL				541.61	253.09		

SURVEY PLOTTED BY: _____ DATE: _____
 DRAWN BY: _____
 DESIGNED BY: _____
 QUANTITIES BY: _____
 CHECKED BY: _____
 ORIGINAL PLAN NO. _____
 NOTE BOOK NO. _____

STATE OF HAWAII
 DEPARTMENT OF TRANSPORTATION
 LAND TRANSPORTATION FACILITIES DIVISION
DETAILS & RECONSTRUCTION/RESURFACING SCHEDULE
KUNIA ROAD RESURFACING
Proj. No. 750A-01-82M
 Scale: As Shown Date: Nov. 1981
 SHEET No. 3 OF 3 SHEETS