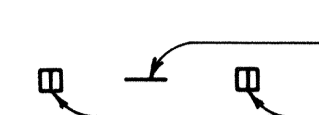
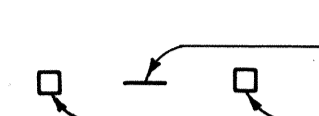
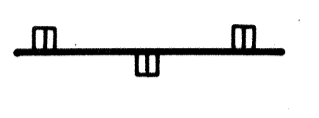
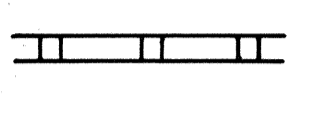
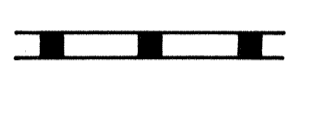
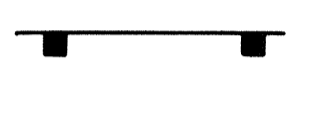
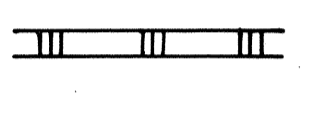


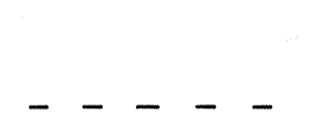
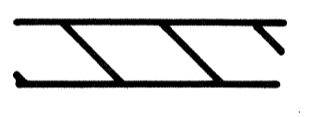
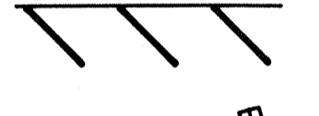

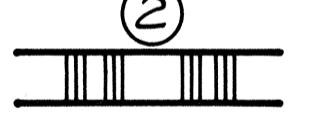
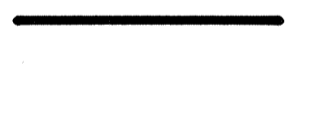



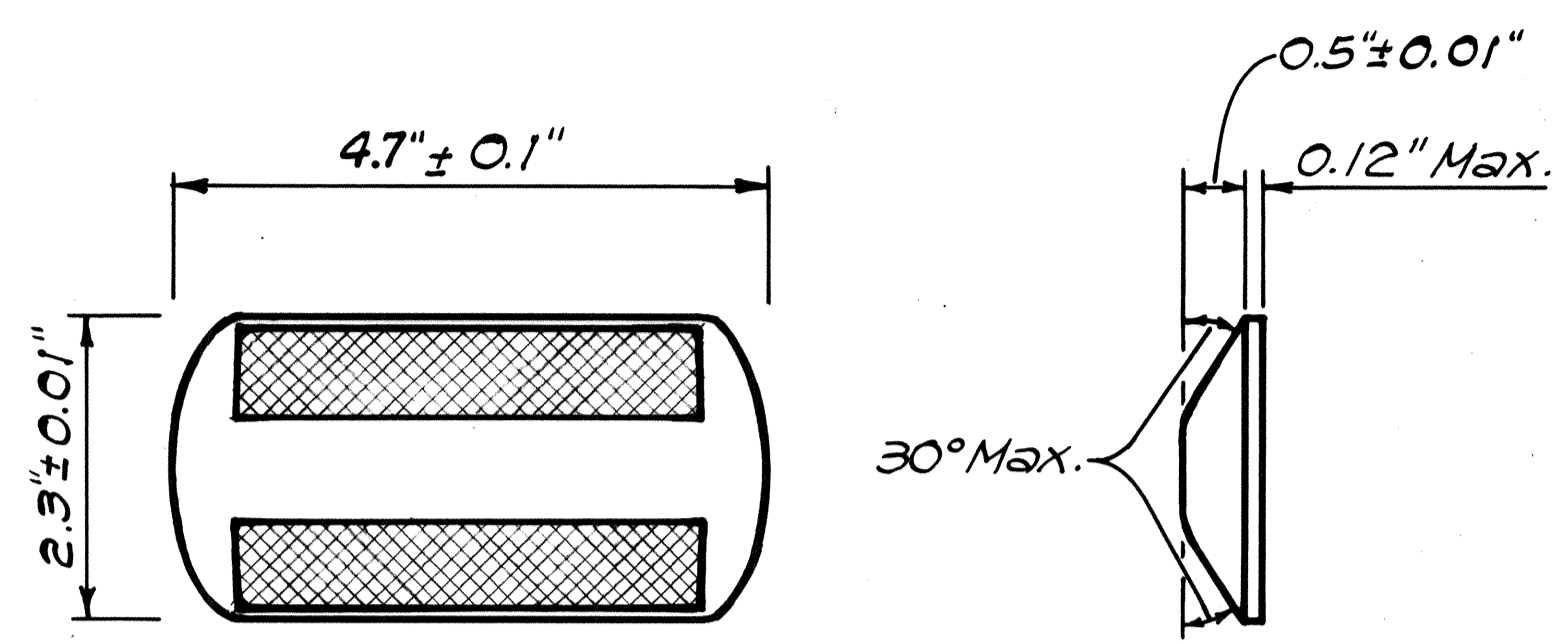
**LEGEND**

-  4 each Type A Raised Pavement Markers  
Type CL Raised Pavement Markers @ 40'-0" o.c.
-  4 each Type J Raised Pavement Markers  
Type DL Raised Pavement Markers @ 40'-0" o.c.
-  8" White Stripe with Type CL Raised Pavement Markers @ 20'-0" o.c.
-  4" Double Solid Yellow Stripes with Type DL Raised Pavement Markers @ 20'-0" o.c.
-  4" Double Solid Yellow Stripes with Type HL Raised Pavement Markers @ 20'-0" o.c.
-  4" Yellow Edge Stripe with Type HL Raised Pavement Markers @ 40'-0" o.c.
-  4" Double Solid White Stripes with Type CL Raised Pavement Markers @ 20'-0" o.c.
-  Lane Change Restriction Marking  
4 each Type A Raised Pavement Markers  
Type CL Raised Pavement Markers @ 20'-0" o.c.  
4" White Stripe
-  4" White Edge Stripe
-  4" White Guide Lines
-  Transverse Median Marking
-  Transverse Shoulder Marking
-  Channelizing Island or Deceleration Lane Gore
-  Crosswalk and Stop Line. All Stop Lines shall be 10'-0" from Crosswalk unless otherwise noted. The circled number indicates the number of lanes for pavement.
-  Pavement Arrow
-  STOP Pavement Word

**NOTES**

1. Layout of pavement markings and striping shall be done by the Contractor and approved by the Engineer prior to any installation work.
2. Existing pavement markings not incorporated in the final traffic pattern shall be removed as directed by the Engineer. Costs shall be incidental to the various pavement marking items.
3. Raised pavement markers shall not be installed within crosswalks.
4. Details of Type C, Type D and Type H Markers on Standard Plan Nos. TE-30, TE-31 and TE-32 shall be deleted and replaced with details of Type CL, Type DL and Type HL Markers as shown on this sheet. All references to Type C, Type D and Type H Markers in the plans shall mean Type CL, Type DL and Type HL Markers.
5. Final locations of all signs shall be approved by the Engineer prior to any installation work.

FED. ROAD DIST. NO.	STATE	PROJ. NO.	FISCAL YEAR	SHEET NO.	TOTAL SHEETS
HAWAII	HAW.	99EF-01-87M	1987	12	18



TYPE CL  
Red-Clear Reflective Marker  
or  
TYPE DL  
Two-Way Yellow Reflective Marker  
or  
TYPE HL  
One-Way Yellow Reflective Marker  
Not to Scale

SURVEY PLOTTED BY	DATE
DRAWN BY	
TRACED BY	
CHECKED BY	
NO.	

STATE OF HAWAII  
DEPARTMENT OF TRANSPORTATION  
HIGHWAYS DIVISION

**SIGNING AND MARKING  
LEGEND, NOTES & DETAILS**

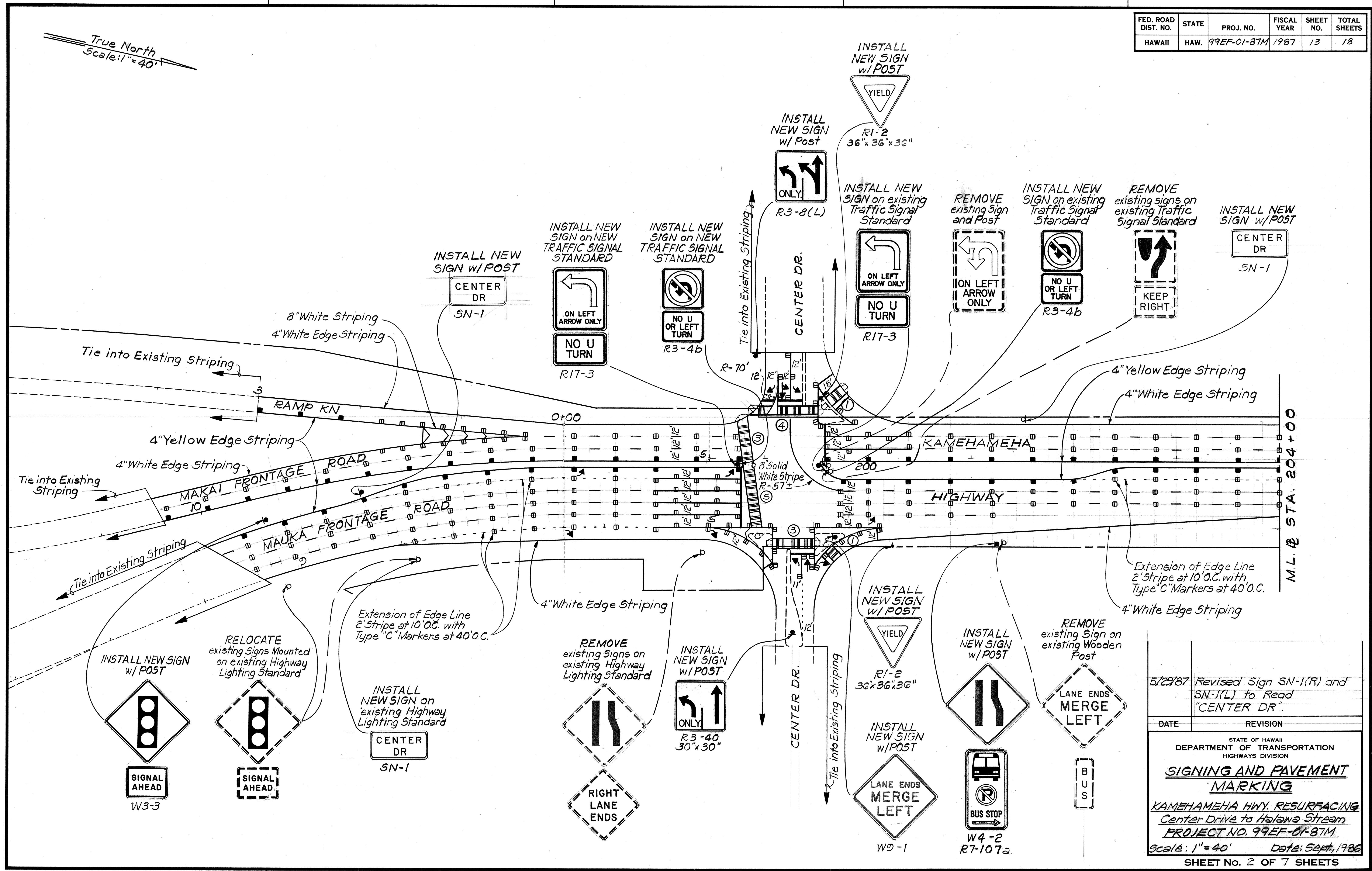
KAMEHAMEHA HWY. RESURFACING  
Center Drive to Halawa Stream  
PROJECT NO. 99EF-01-87M

Scale: As Shown Date: Nov, 1986

SHEET No. 1 OF 7 SHEETS

FED. ROAD DIST. NO.	STATE	PROJ. NO.	FISCAL YEAR	SHEET NO.	TOTAL SHEETS
HAWAII	HAW.	99EF-01-87M	1987	13	18

True North  
Scale: 1" = 40'



SURVEY PLOTTED BY	DATE
DESIGNED BY	
TRACED BY	
NOTE BOOK	
QUANTITIES BY	
CHECKED BY	

5/29/87 Revised Sign SN-1(R) and SN-1(L) to Read "CENTER DR".

DATE	REVISION

STATE OF HAWAII  
DEPARTMENT OF TRANSPORTATION  
HIGHWAYS DIVISION

**SIGNING AND PAVEMENT MARKING**

KAMEHAMEHA HWY. RESURFACING  
Center Drive to Halawa Stream  
PROJECT NO. 99EF-01-87M  
Scale: 1" = 40' Date: Sept, 1986  
SHEET No. 2 OF 7 SHEETS

FED. ROAD DIST. NO.	STATE	PROJ. NO.	FISCAL YEAR	SHEET NO.	TOTAL SHEETS
HAWAII	HAW.	99EF-01-87M	1987	14	18

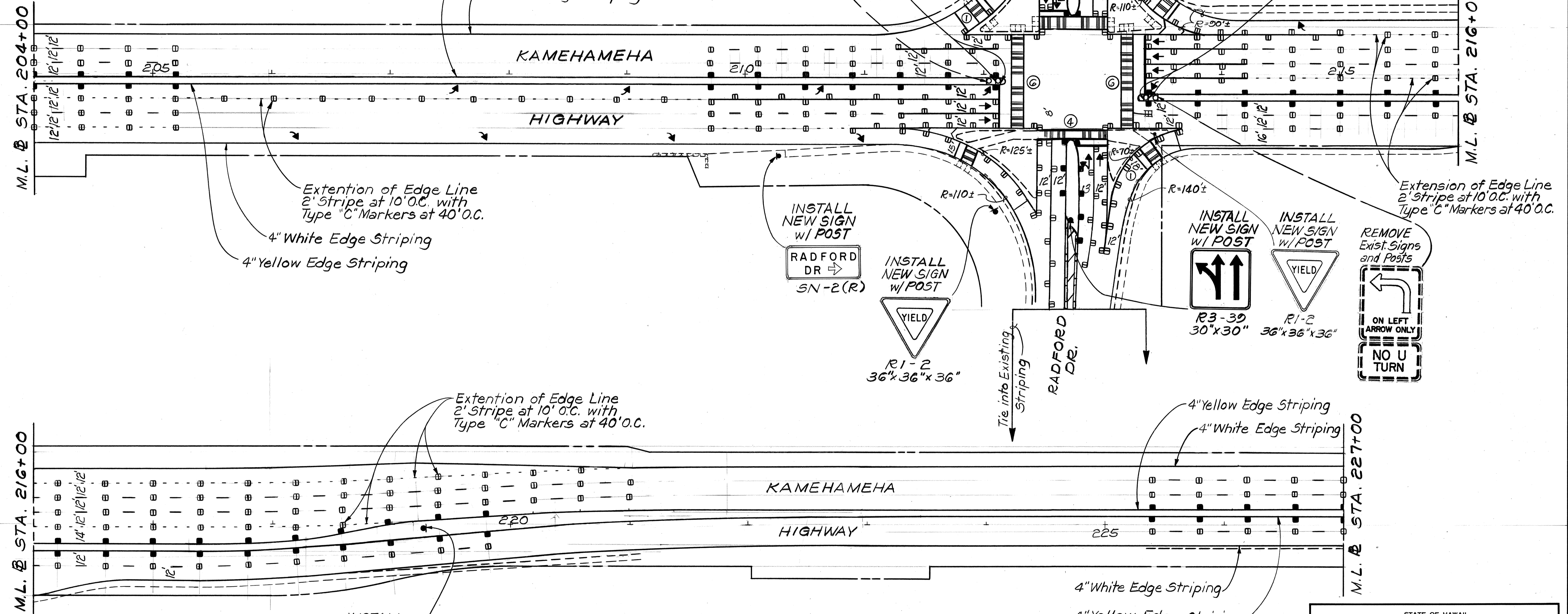
True North  
Scale: 1"=40'

REMOVE Existing Signs and Post  
ON LEFT ARROW ONLY  
NO U TURN

INSTALL NEW SIGNS on Existing Traffic Signal Standard  
ON LEFT ARROW ONLY  
NO U TURN  
R17-3

REMOVE Existing Sign and Post  
INSTALL NEW SIGN w/ POST  
R3-39 30"x30"  
INSTALL NEW SIGN w/ POST  
YIELD  
R1-2 36"x36"x36"

INSTALL NEW SIGNS on Existing Traffic Signal Standard  
ON LEFT ARROW ONLY  
NO U TURN  
R17-3



Extension of Edge Line 2' Stripe at 10' O.C. with Type 'C' Markers at 40' O.C.  
4" White Edge Striping  
4" Yellow Edge Striping

Extension of Edge Line 2' Stripe at 10' O.C. with Type 'C' Markers at 40' O.C.

INSTALL NEW SIGN w/ POST  
RADFORD DR  
SN-2(R)

INSTALL NEW SIGN w/ POST  
YIELD  
R1-2 36"x36"x36"

INSTALL NEW SIGN w/ POST  
R3-39 30"x30"

INSTALL NEW SIGN w/ POST  
YIELD  
R1-2 36"x36"x36"

REMOVE Exist. Signs and Posts  
ON LEFT ARROW ONLY  
NO U TURN

INSTALL NEW SIGN w/ POST  
RADFORD DR  
SN-2(L)

True North  
Scale: 1"=40'

DATE	
SURVEY PLOTTED BY	
DRAWN BY	
FRACED BY	
NOTE BOOK	
QUANTITIES BY	
CHECKED BY	
No.	

STATE OF HAWAII  
DEPARTMENT OF TRANSPORTATION  
HIGHWAYS DIVISION

**SIGNING AND PAVEMENT MARKING**

**KAMEHAMEHA HWY RESURFACING**  
Center Drive to Halawa Stream  
PROJECT NO. 99EF-01-87M

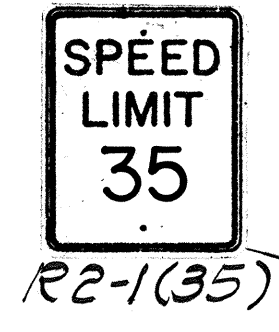
Scale: 1"=40'      Date: Oct. 1986

SHEET No. 3 OF 7 SHEETS

FED. ROAD DIST. NO.	STATE	PROJ. NO.	FISCAL YEAR	SHEET NO.	TOTAL SHEETS
HAWAII	HAW.	99EF-01-87M	1987	15	18

True North  
Scale: 1"=40'

REMOVE Existing Sign and Post  
INSTALL NEW SIGN w/ POST



4" Yellow Edge Striping  
4" White Edge Striping  
4" Yellow Edge Striping

M.L. @ STA. 227+00

M.L. @ STA. 239+00

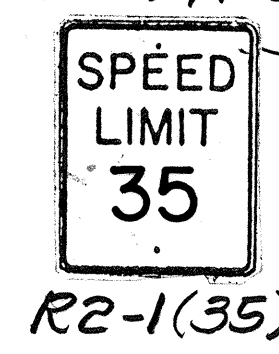
KAMEHAMEHA  
HIGHWAY

230

235

4" White Guide Line

REMOVE Existing Sign and Post  
INSTALL NEW SIGN w/ POST



4" Yellow Edge Striping  
4" White Edge Striping  
4" Yellow Edge Striping

M.L. @ STA. 239+00

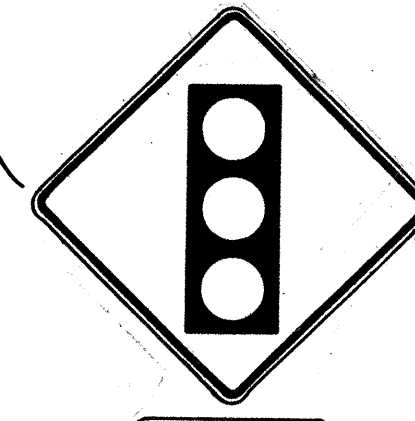
M.L. @ STA. 250+00

KAMEHAMEHA  
HIGHWAY

240

245

REMOVE Existing Sign and Post  
INSTALL NEW SIGN w/ POST



SIGNAL AHEAD  
W3-3

4" White Guide Line

INSTALL NEW SIGN on Existing E.P.



R7-107a

REMOVE Existing Sign on Existing E.P.



True North  
Scale: 1"=40'

STATE OF HAWAII  
DEPARTMENT OF TRANSPORTATION  
HIGHWAYS DIVISION

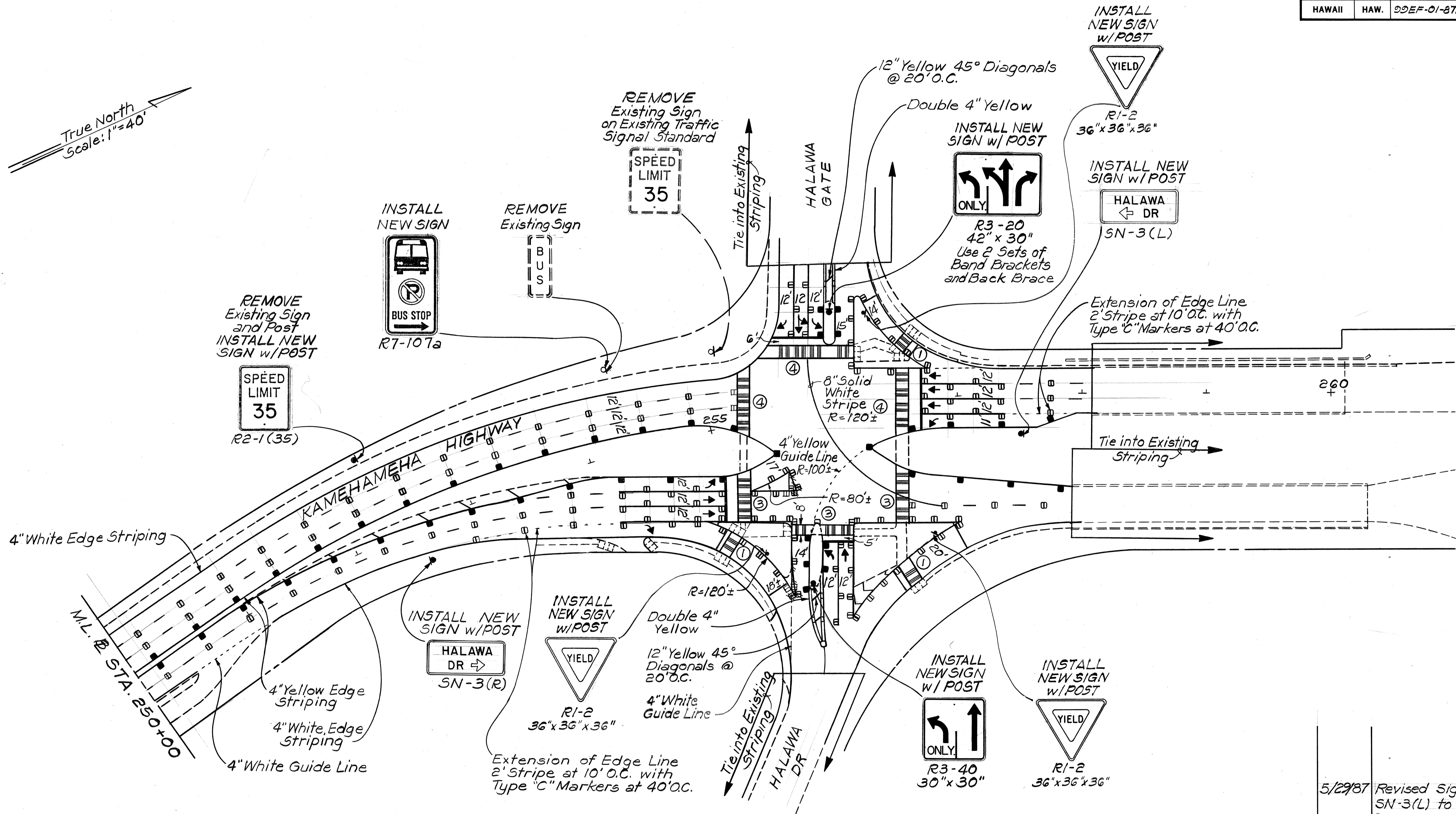
**SIGNING AND PAVEMENT MARKING**

KAMEHAMEHA HWY. RESURFACING  
Center Drive to Halewa Stream  
PROJECT NO. 99EF-01-87M  
Scale: 1"=40' Date: Sept, 1986  
SHEET No. 4 OF 7 SHEETS

SURVEY PLOTTED BY	DATE
DRAWN BY	
DESIGNED BY	
QUANTITIES BY	
CHECKED BY	
ORIGINAL PLAN	
NOTE BOOK	
No.	

FED. ROAD DIST. NO.	STATE	PROJ. NO.	FISCAL YEAR	SHEET NO.	TOTAL SHEETS
HAWAII	HAW.	00EF-01-87M	1987	16	18

True North  
Scale: 1"=40'



SURVEY PLOTTED BY	DATE
DRAWN BY	
DESIGNED BY	
QUANTITIES BY	
CHECKED BY	
ORIGINAL PLAN	
NOTE BOOK	
NO.	

5/29/87 Revised Sign SN-3(R) and SN-3(L) to Read "HALAWA DR"

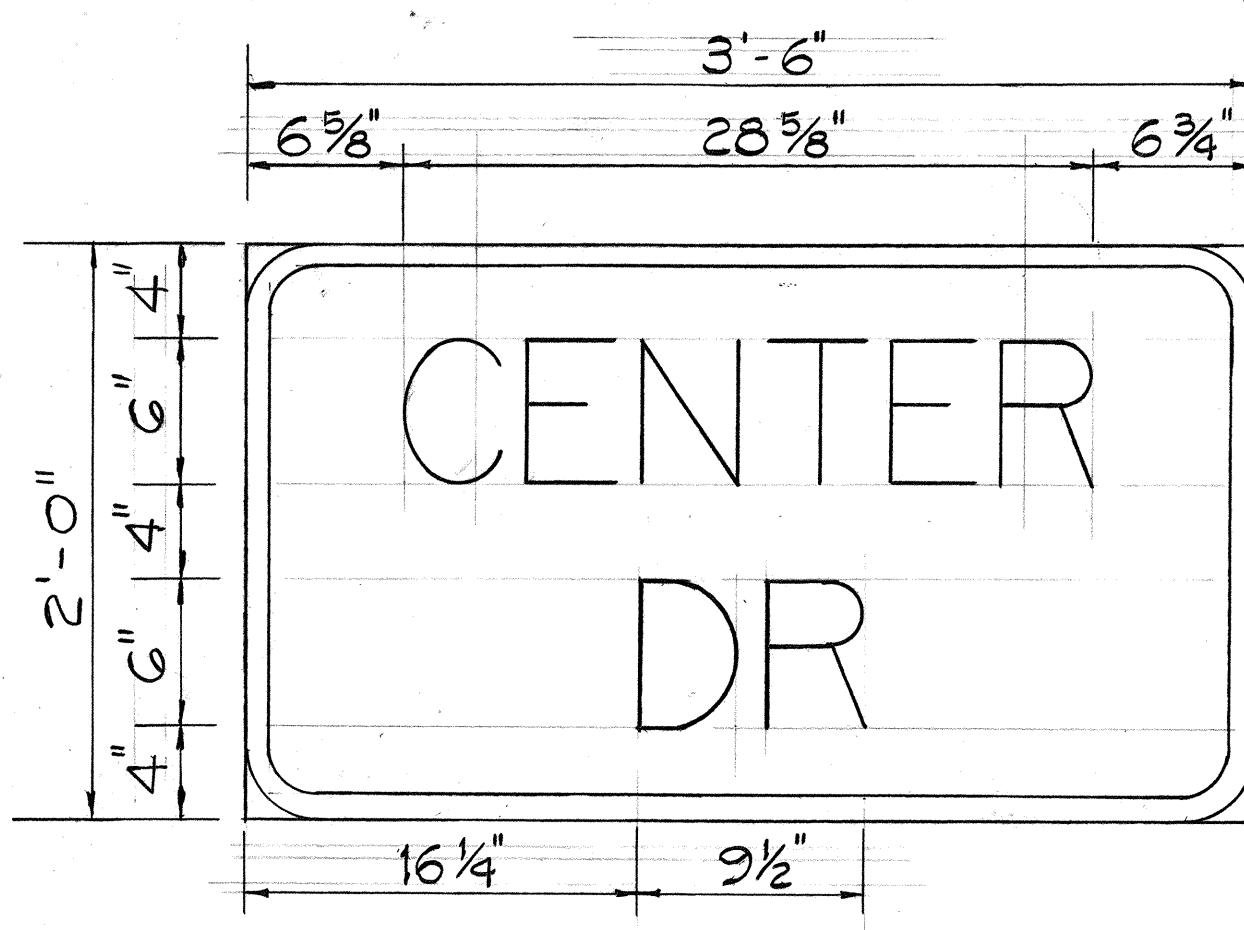
DATE	REVISION

STATE OF HAWAII  
DEPARTMENT OF TRANSPORTATION  
HIGHWAYS DIVISION  
**SIGNING AND PAVEMENT MARKING**  
KAMEHAMEHA HWY. RESURFACING  
Center Drive to Halawa Stream  
PROJECT NO. 00EF-01-87M  
Scale: 1"=40' Date: Oct. 1986  
SHEET No. 5 OF 7 SHEETS

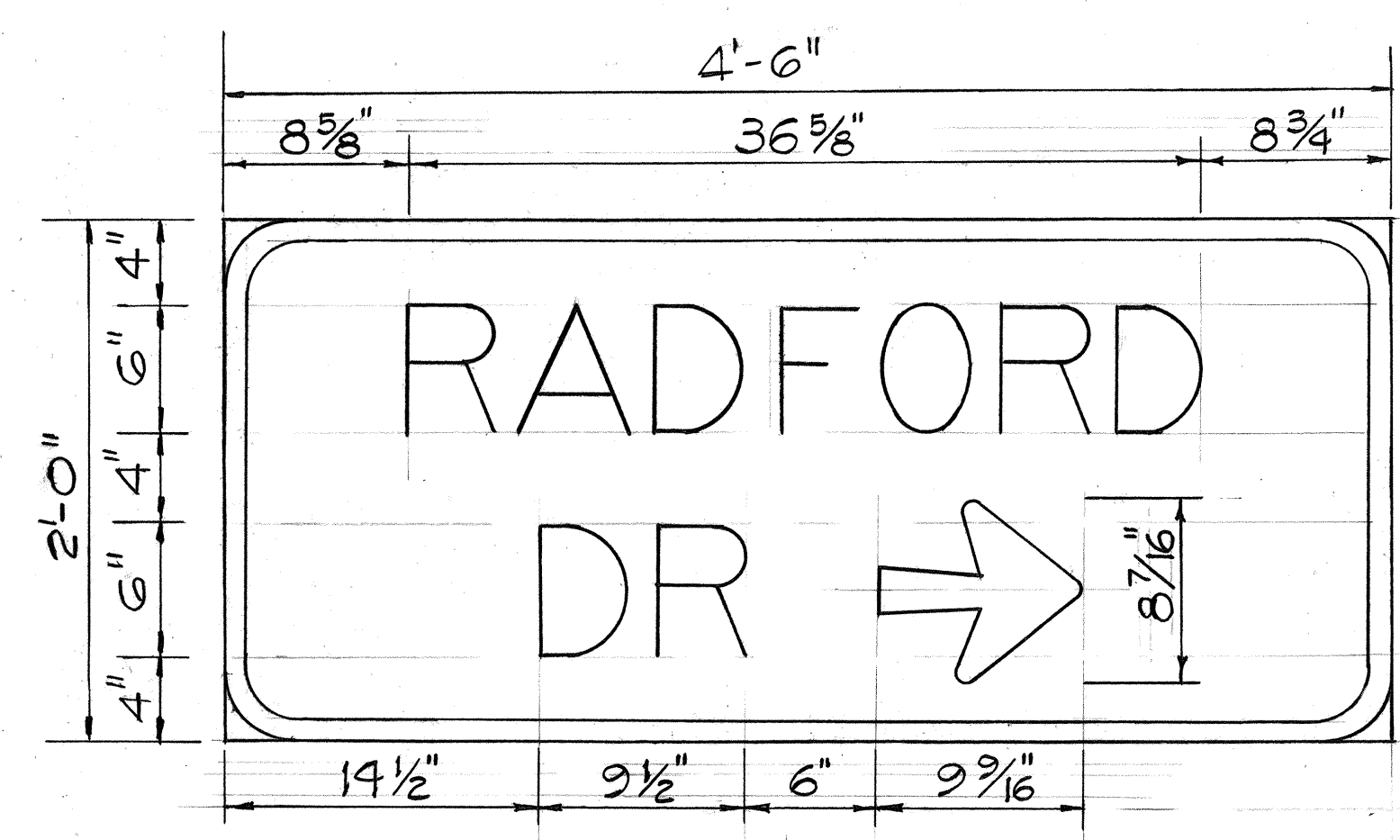
FED. ROAD DIST. NO.	STATE	PROJ. NO.	FISCAL YEAR	SHEET NO.	TOTAL SHEETS
HAWAII	HAW.	99EF-01-87M	1987	17	18

STREET NAME SIGN NOTES

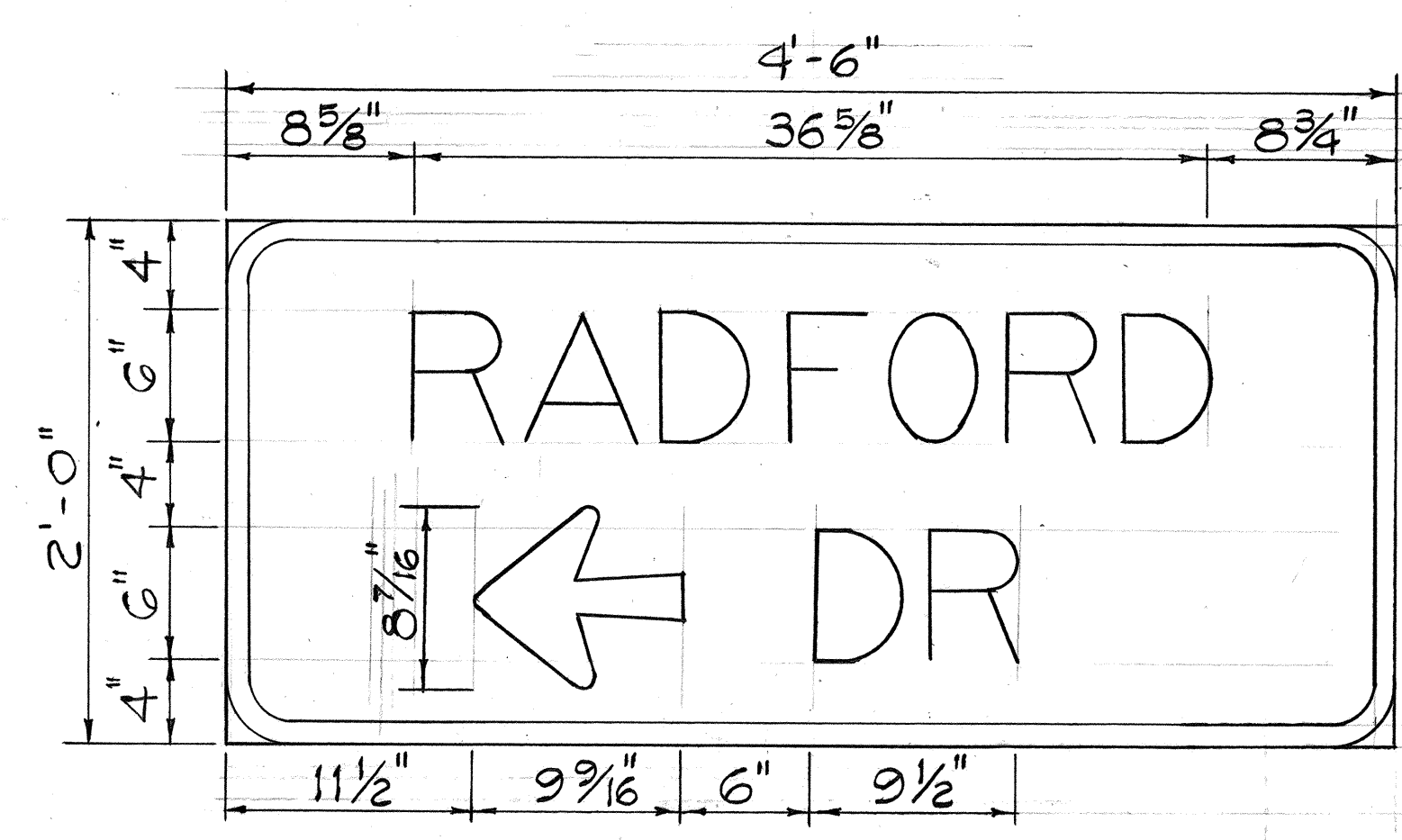
- Street name signs ( ) shall conform to the latest FHWA Publications "Manual on Uniform Traffic Control Devices for Streets & Highways and as amended "Standard Alphabets for Highway Signs".
- Letters:
  - Series D Upper Case
  - Color:
    - Letters } White Reflective Sheeting on Demountable Aluminum Cut-Outs
    - Borders } fastened to Sign Panel with Aluminum Blind Rivets.
    - Arrows }
  - Background Green Reflective Sheeting
  - Sign Panel:
    - 0.1000" TH. Sheet Aluminum
- If splicing of sign panel is necessary, Contractor shall submit splice details to Engineer for approval.
- For Typical Frame Layout and Mounting Details, See Plan Sht. 18 "Unbalanced Sign Installation".



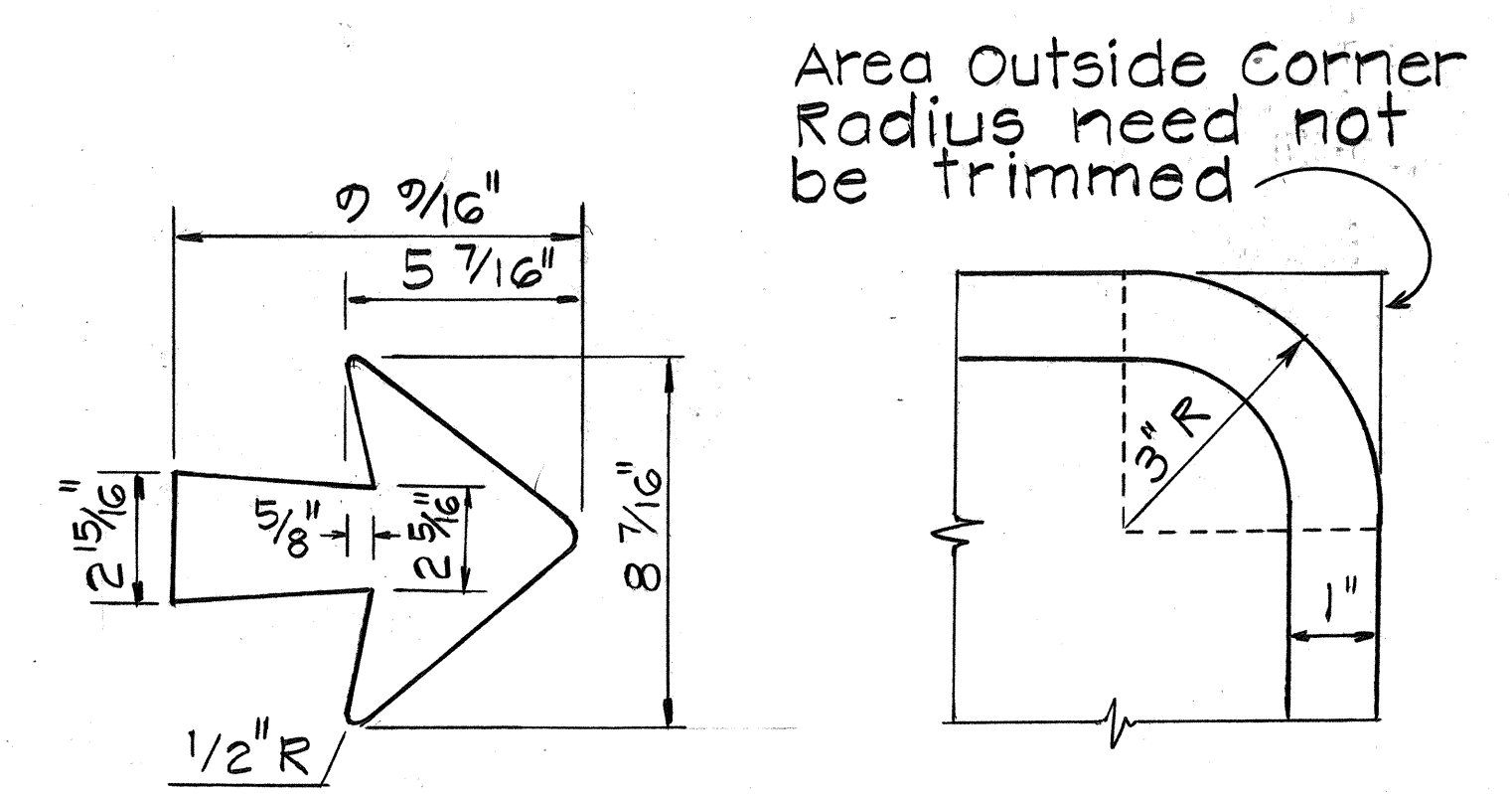
SIGN-1  
Scale: 1 1/2" = 1'-0"



SIGN-2(R)  
Scale: 1 1/2" = 1'-0"

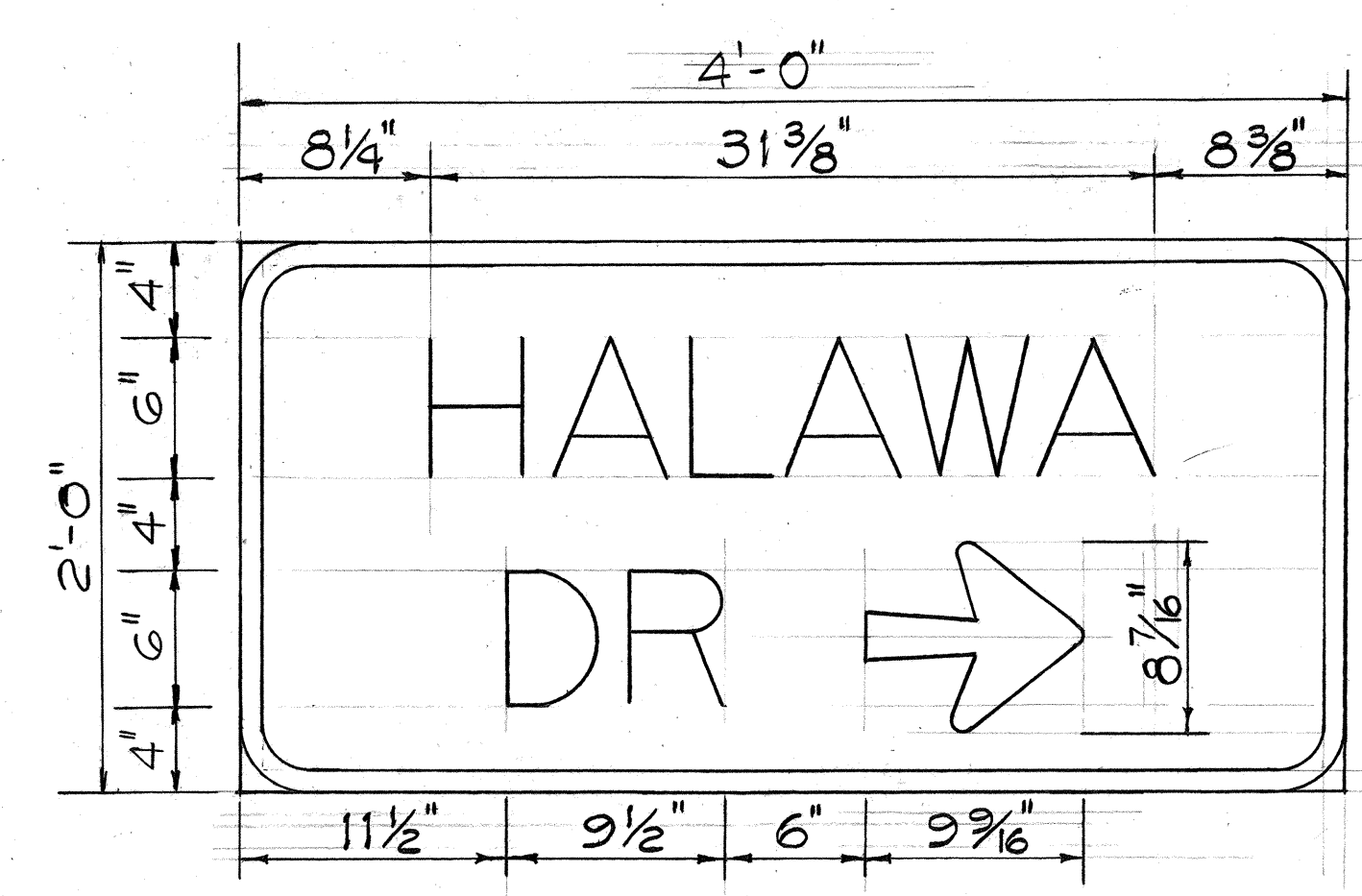


SIGN-2(L)  
Scale: 1 1/2" = 1'-0"

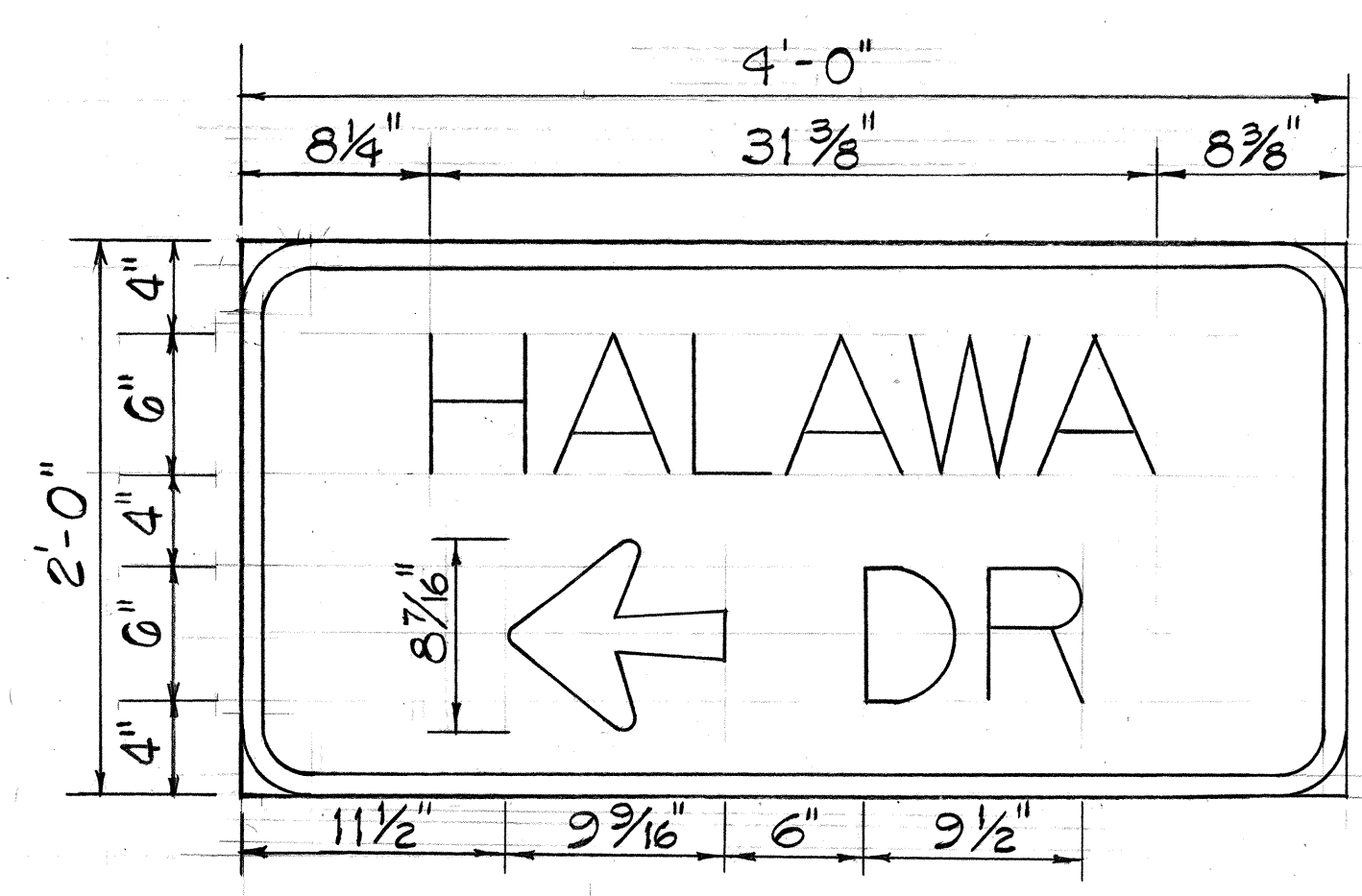


ARROW DETAIL  
N.T.S.

BORDER DETAIL  
N.T.S.



SIGN-3(R)  
Scale: 1 1/2" = 1'-0"



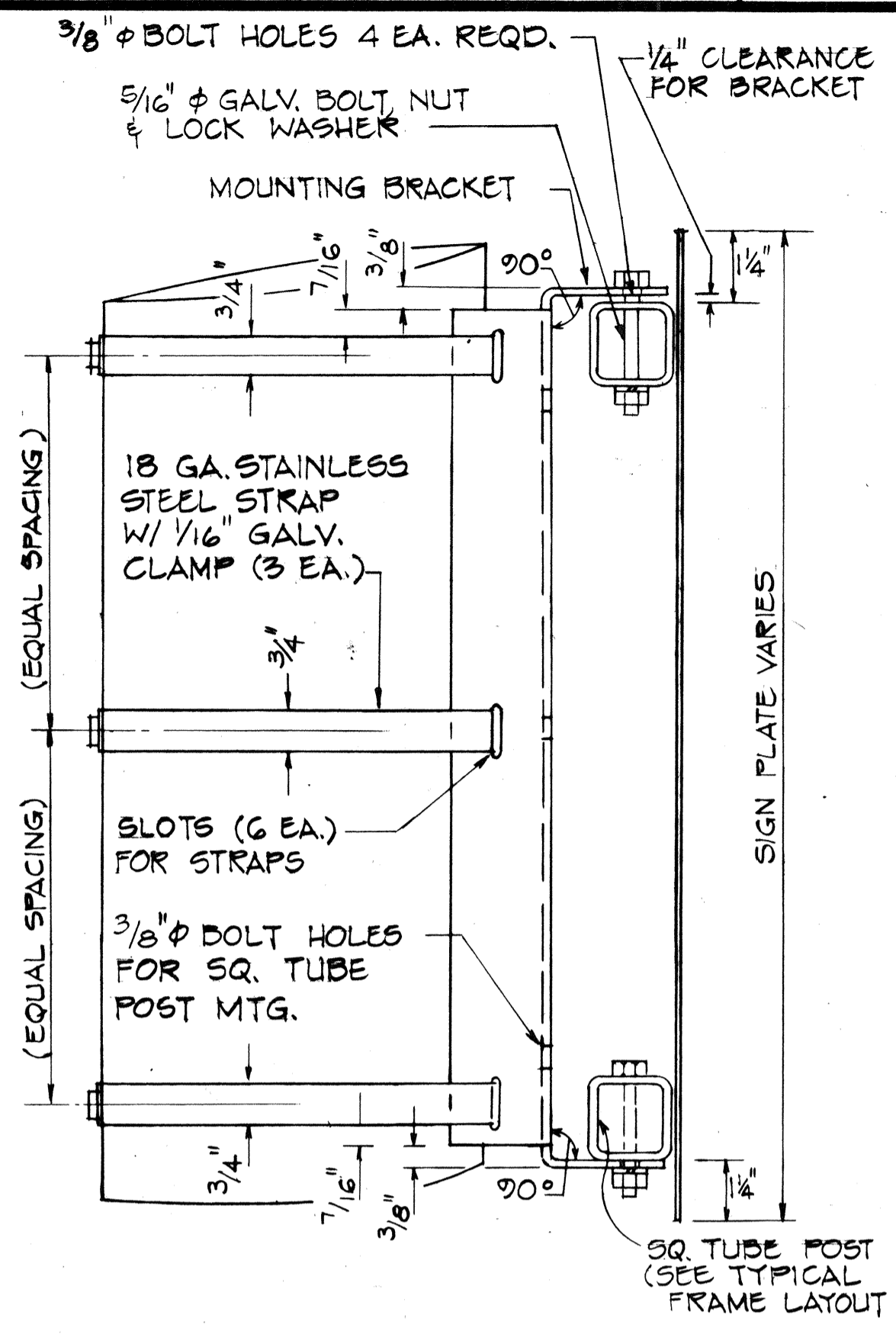
SIGN-3(L)  
Scale: 1 1/2" = 1'-0"

DATE	REVISION
5/29/87	Deleted SIGN-4. Revised SIGN-1, SIGN-3(R) and SIGN-3(L).

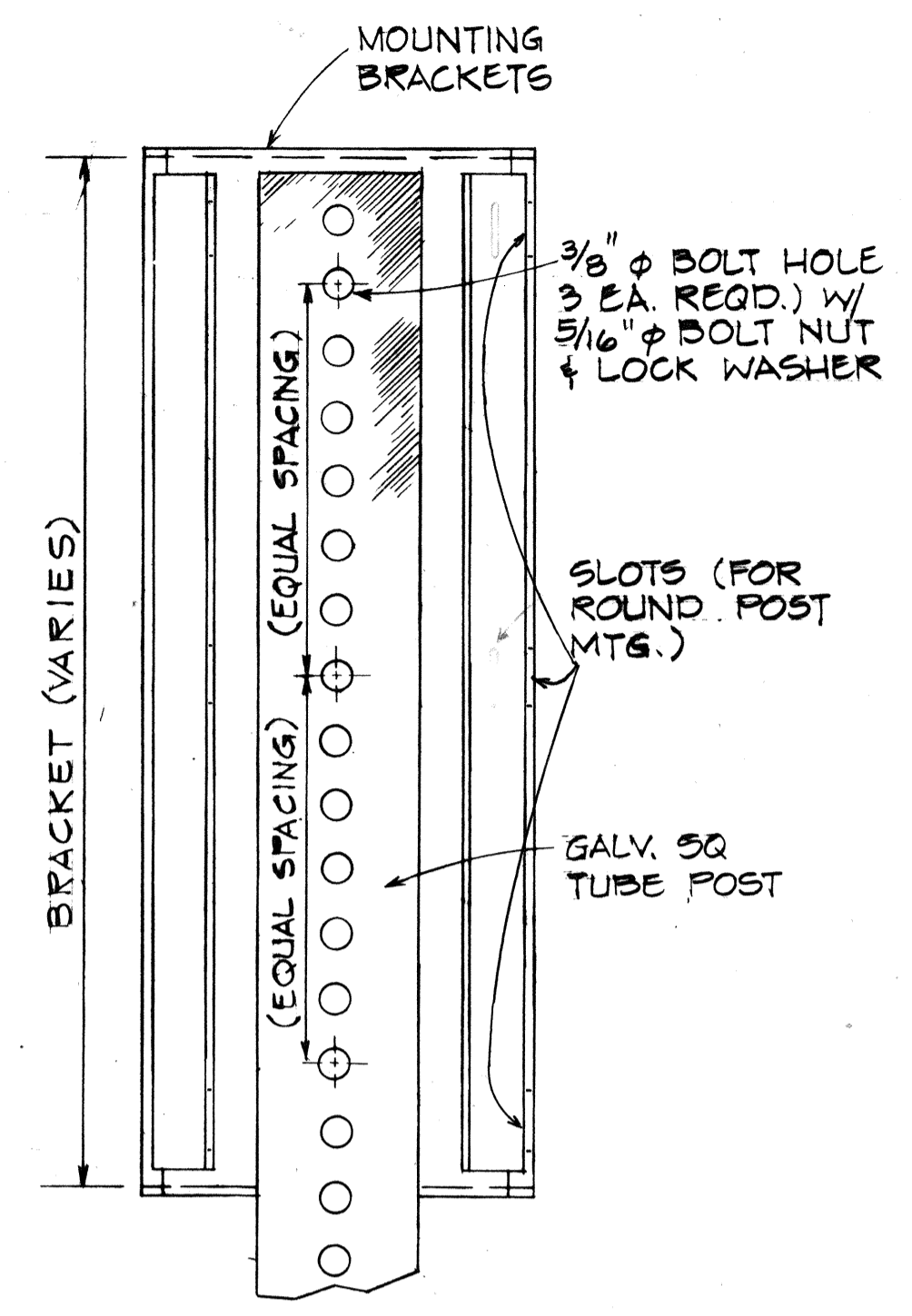
STATE OF HAWAII  
DEPARTMENT OF TRANSPORTATION  
HIGHWAYS DIVISION  
MISCELLANEOUS SIGN DETAIL  
KAMEHAMEHA HIGHWAY RESURFACING  
CENTER DRIVE TO HALAWA STREAM  
PROJ. No. 99EF-01-87M  
Scale: As Noted Date: Sept. 1986  
SHEET No. 6 OF 7 SHEETS

SURVEY PLOTTED BY	DATE
DESIGNED BY	
TRACED BY	
NOTE BOOK	
QUANTITIES BY	
CHECKED BY	
No.	

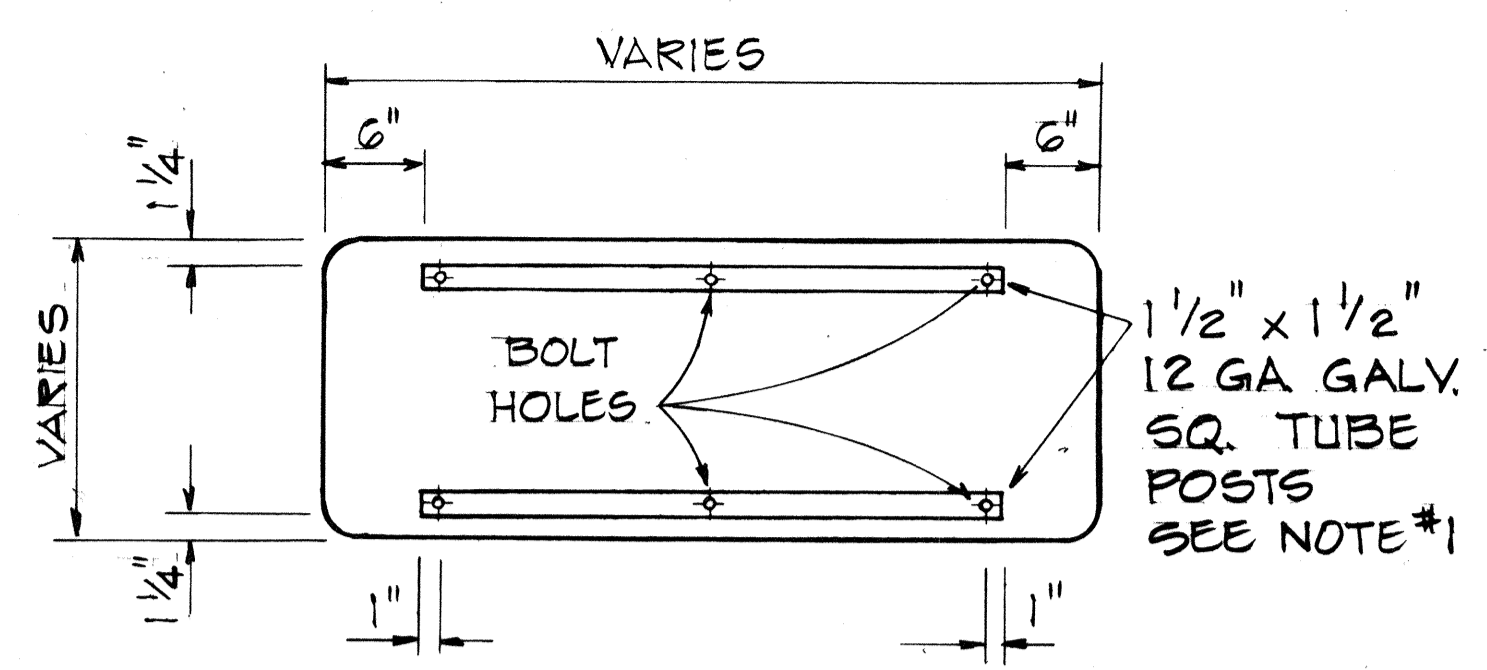
FED. ROAD DIST. NO.	STATE	PROJ. NO.	FISCAL YEAR	SHEET NO.	TOTAL SHEETS
HAWAII	HAW.	99EF-01-87M	1987	18	18



SIDE VIEW



SQ. TUBE/ROUND POST MOUNTING  
BACK VIEW



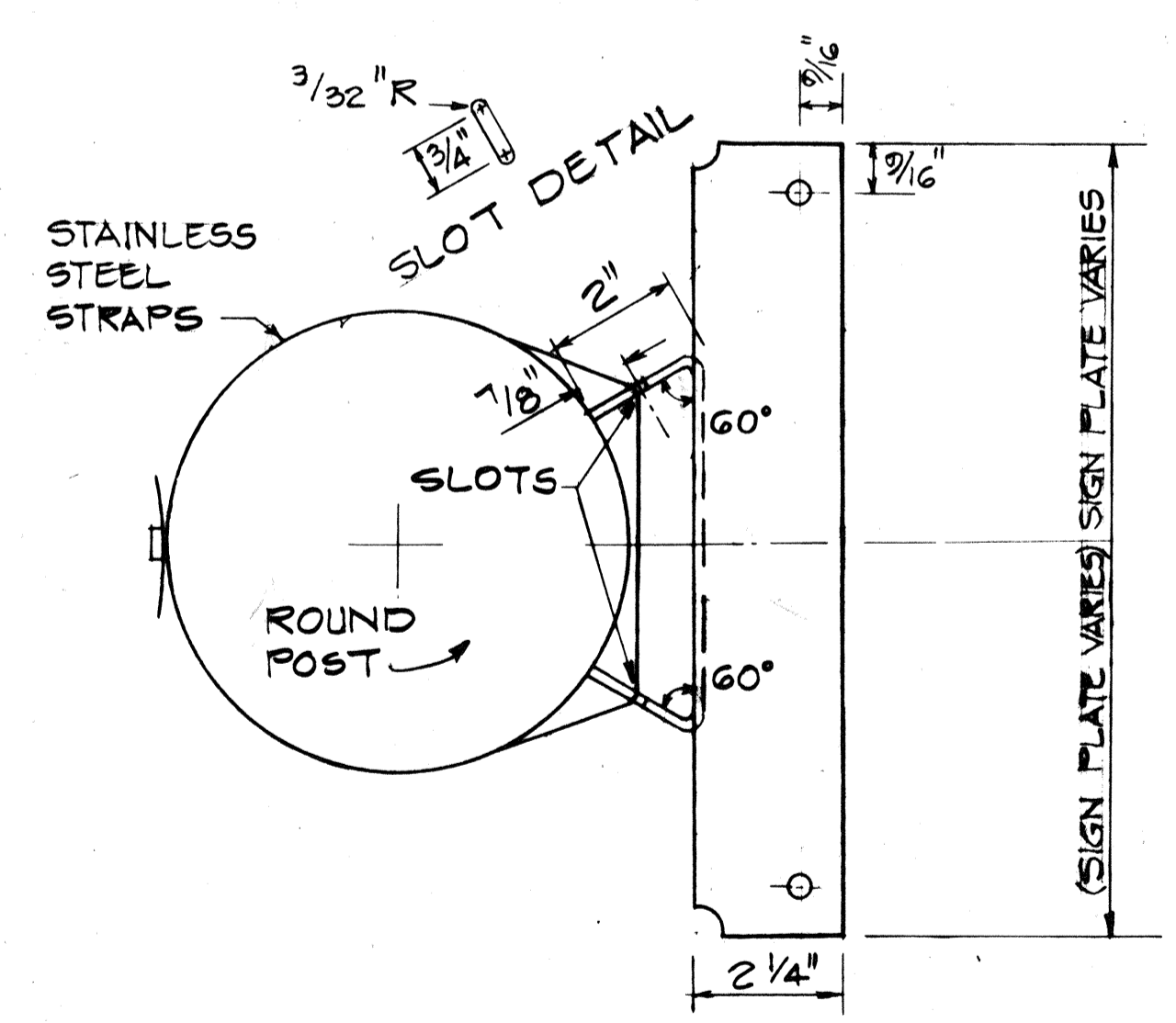
TYPICAL FRAME LAYOUT  
Scale: 1" = 1'-0"

1. SQ. TUBE POSTS SHALL BE AS SPECIFIED IN THE SPECIAL PROVISIONS.
2. SIGN PANEL SHALL BE ATTACHED TO SQ. TUBE POST WITH 5/16"  $\phi$  GALV. BOLT, NUT, LOCK WASHER & 7/8" x 0.06" STAINLESS STEEL FLAT WASHER WITH NEOPRENE RUBBER GASKET.

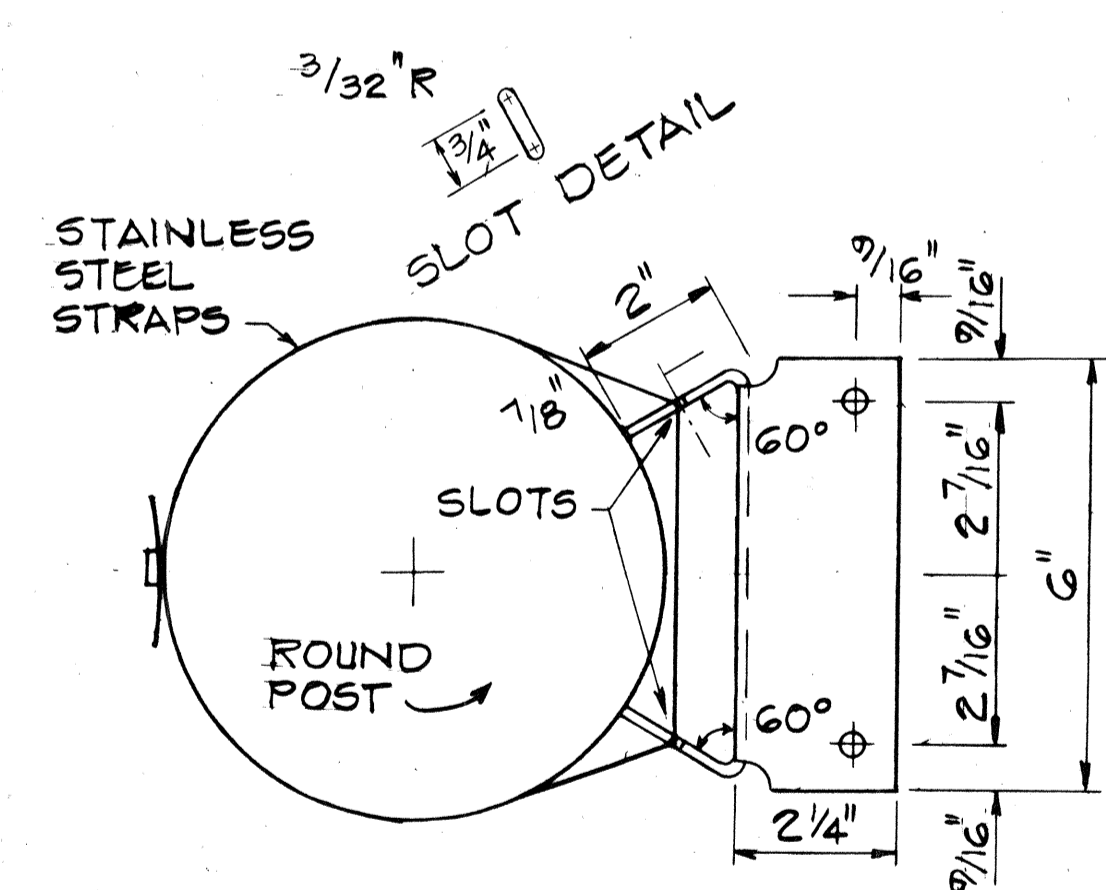
**NOTE:**

1. MATERIAL TO BE 12 GA. HOT ROLLED STEEL SHEET, LOW CARBON, COMMERCIAL QUALITY, SPECIFICATIONS Q95-636, GRADE 1010, UNLESS OTHERWISE SPECIFIED.
2. BRACKET TO BE HOT DIPPED GALV. AFTER FABRICATION PER SPECIFICATION ASTM-A-123-68.
3. ALL BEND RADII TO BE 1/8".
4. DEBURR ALL SHARP EDGES.
5. TOLERANCES: DIMENSIONS,  $\pm 1/32$ "  
ANGLES,  $\pm 0^{\circ}-30'$

**NOTE:**  
Final adjustment of Unbalanced Sign Installation shall be determined in the field by the Engineer. For anchor base details and/or additional details, see Standard Plan TE-03.

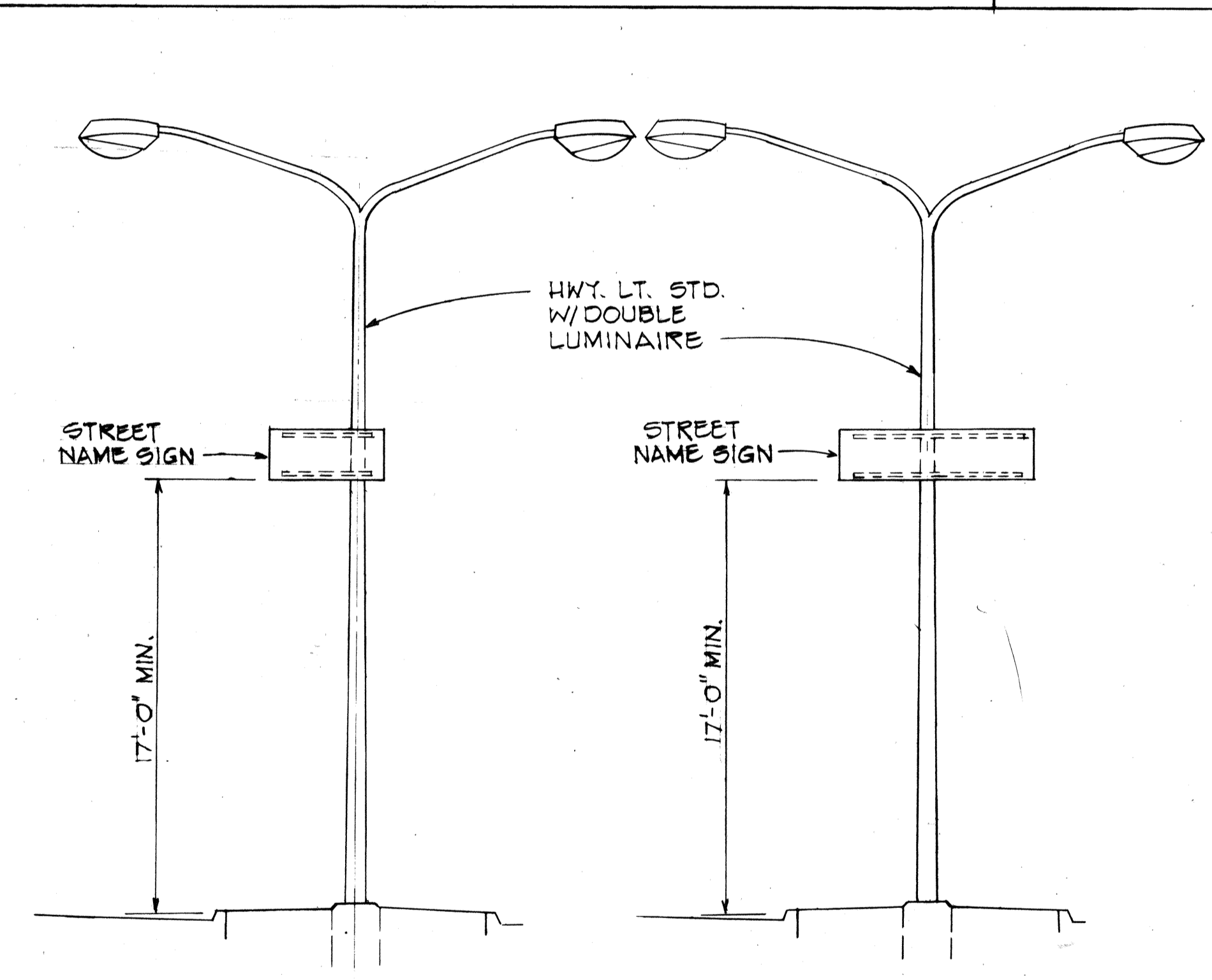


TOP VIEW  
BALANCED SIGN

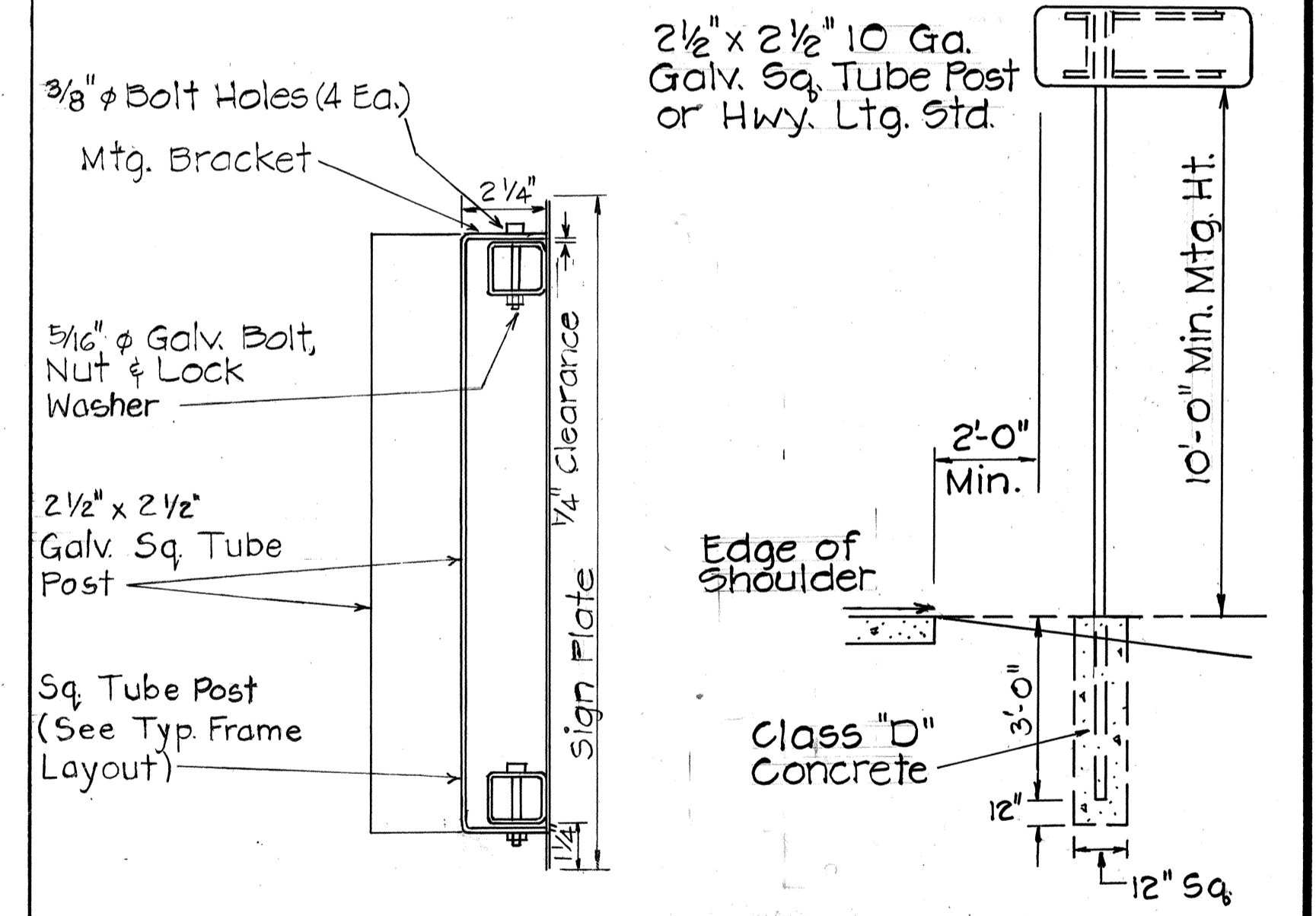


TOP VIEW  
UNBALANCED SIGN

ROUND POST MOUNTING  
NOT TO SCALE



SIGN MOUNTING  
NOT TO SCALE



MOUNTING BRACKET FOR UNBALANCED SIGN INSTALLATION N.T.S.  
TYPICAL UNBALANCED SIGN MOUNTING N.T.S.

STATE OF HAWAII  
DEPARTMENT OF TRANSPORTATION  
HIGHWAYS DIVISION

**BALANCED, UNBALANCED  
SIGN INSTALLATION**

KAMEHAMEHA HIGHWAY RESURFACING  
CENTER DRIVE TO HALAWA STREAM  
PROJ. NO. 99EF-01-87M  
Scale: As Noted Date: \_\_\_\_\_

SHEET No. 7 OF 7 SHEETS

DATE	_____
SURVEY PLOTTED BY	_____
DRAWN BY	_____
TRACED BY	_____
DESIGNED BY	_____
CHECKED BY	_____
ORIGINAL PLAN	_____
NOTE BOOK	_____
No.	_____