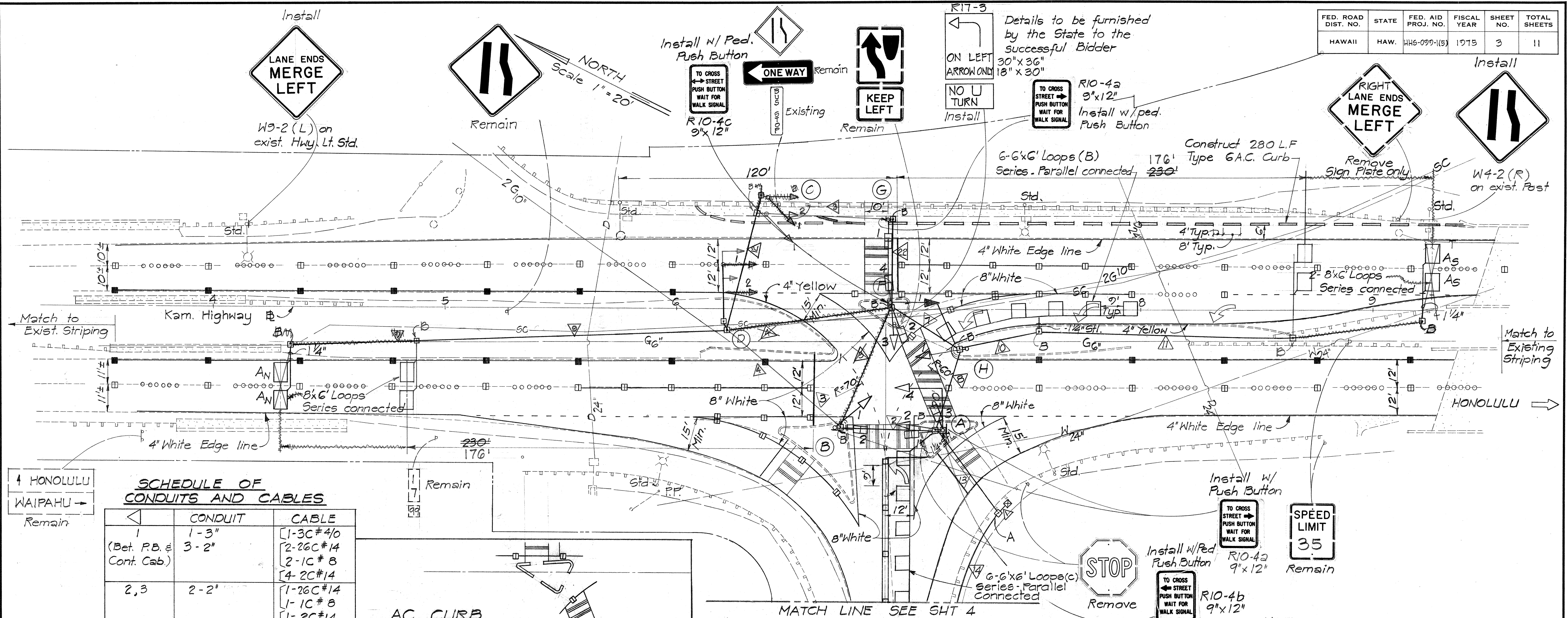


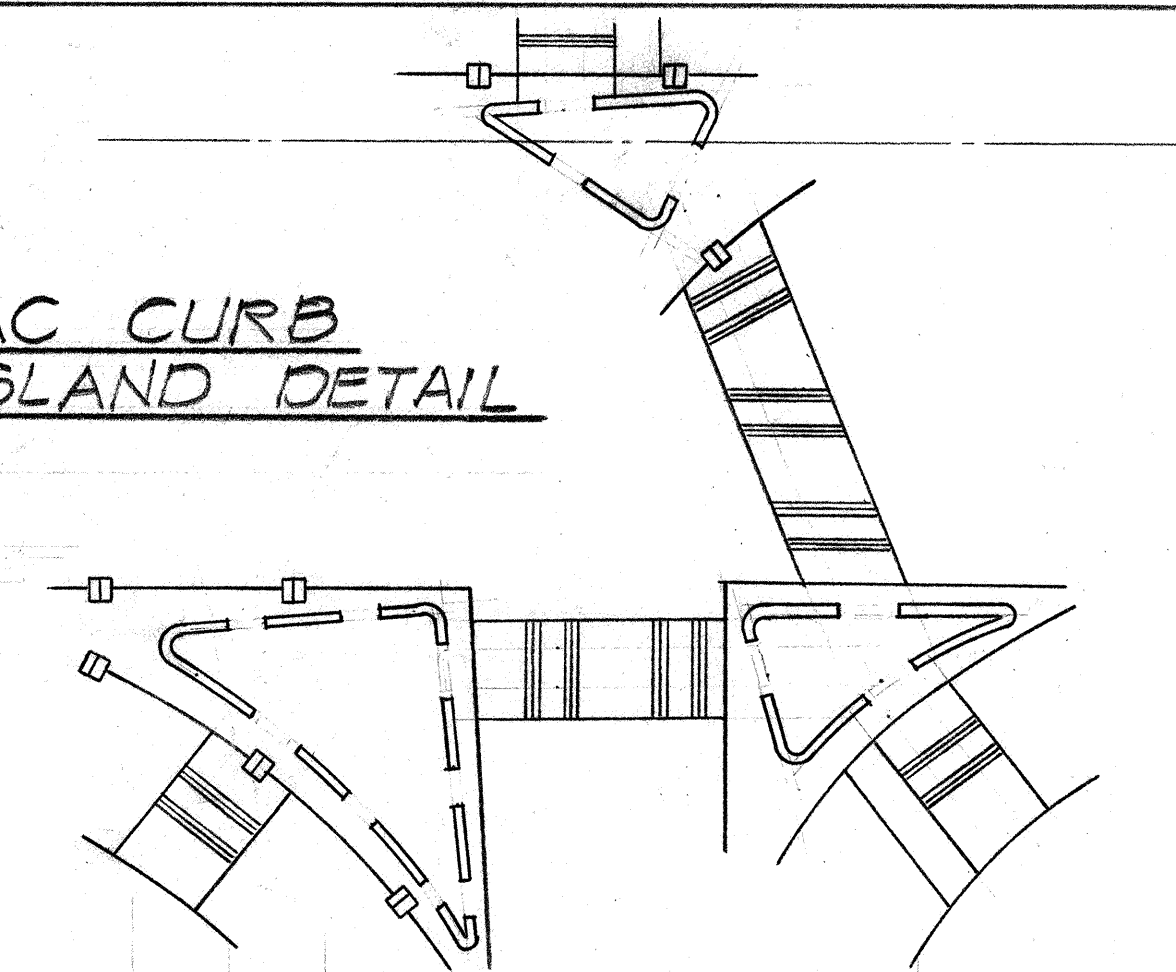
FED. ROAD DIST. NO.	STATE	FED. AID PROJ. NO.	FISCAL YEAR	SHEET NO.	TOTAL SHEETS
HAWAII	HAW.	446-099-1(5)	1975	3	11



SCHEDULE OF CONDUITS AND CABLES

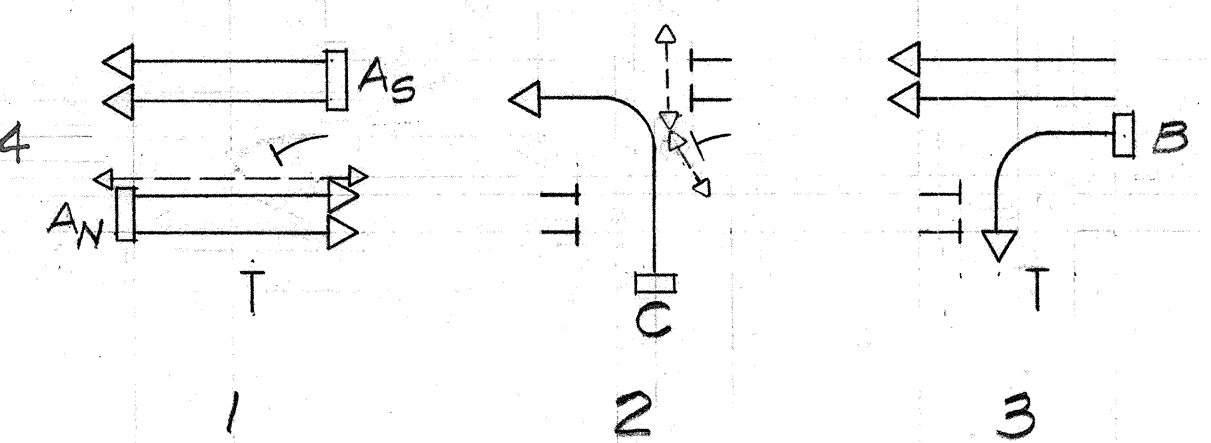
NO.	CONDUIT	CABLE
1 (Bet. P.B. & Cont. Cab.)	1-3" 3-2"	1-3C#4/0 2-26C#14 2-1C#8 4-2C#14
2,3	2-2"	1-26C#14 1-1C#8 1-2C#14
4	2-2"	8-1C#14 1-1C#8 1-2C#14
22	2-2"	4-1C#14 1-1C#8 1-2C#14
7	1-2"	1-26C#14 1-1C#8
8	2-2"	1-26C#14 1-1C#8 2-2C#14
9	1-2"	1-2C#14
10	1-2"	2-2C#14
11	1-2"	1-2C#14
12	2-2"	8-1C#14 1-1C#8 1-26C#14
16,20 21,23 14,15,18,19	1-3"	1-3C#4/0
17 (Att. to Struct.)	1-3"	1-3C#4/0
13	3-2"	2-26C#14 2-1C#8 4-2C#14

AC CURB ISLAND DETAIL

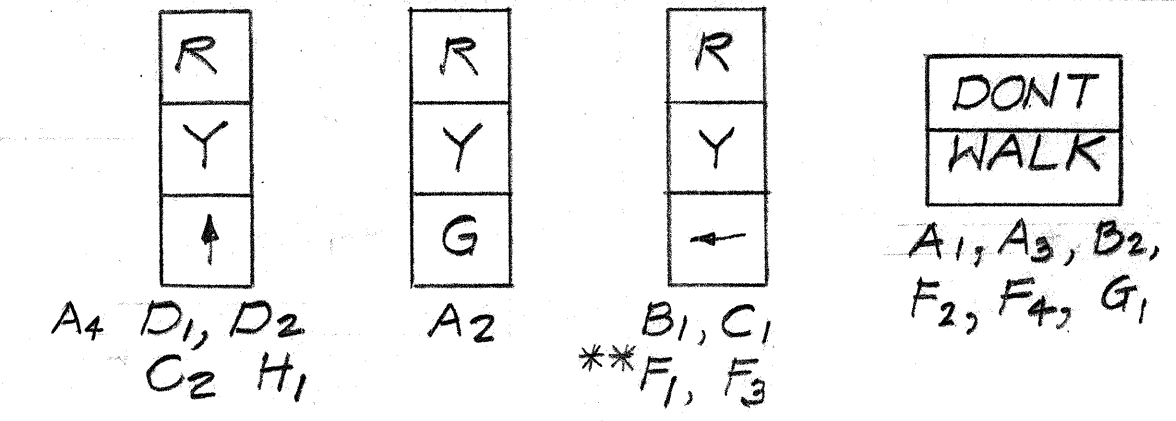


NOTES

1. Remove exist. A.C. islands w/concrete curbs & Construct Type G.A.C. Curb as shown to approximately the same shape as the existing islands
2. Repave with A.C. as shown
3. Paint new curb white.
4. Payment for the removal of existing islands w/Concrete curbs & repaving shall be incidental to Item No. 609.600 Curb, Type G
5. Spaces of up to 10' shall be included in the measurement



PHASE DIAGRAM



SIGNAL INDICATIONS

** F₁ Programmed Visibility Signal Head

NOTE

Traffic Signal Controller shall be digital timed, Multi-phase, designed for 3 traffic phases, full-actuated. Auxiliary Equipment include, but not limited to:

- 4 ea. Loop Amplifiers
- 6 ea. Solid State Light Control Units
- 1 ea. Solid State Signal Monitor Unit
- 1 ea. Coordinating Unit (future inter-connect)

2" A.C. Mix
4" Aggregate Base

TYPICAL SECTION
Repaving Existing Islands

Date	Revision
3/23/76	Relocate Signals and Standards

STATE OF HAWAII
DEPARTMENT OF TRANSPORTATION
HIGHWAYS DIVISION

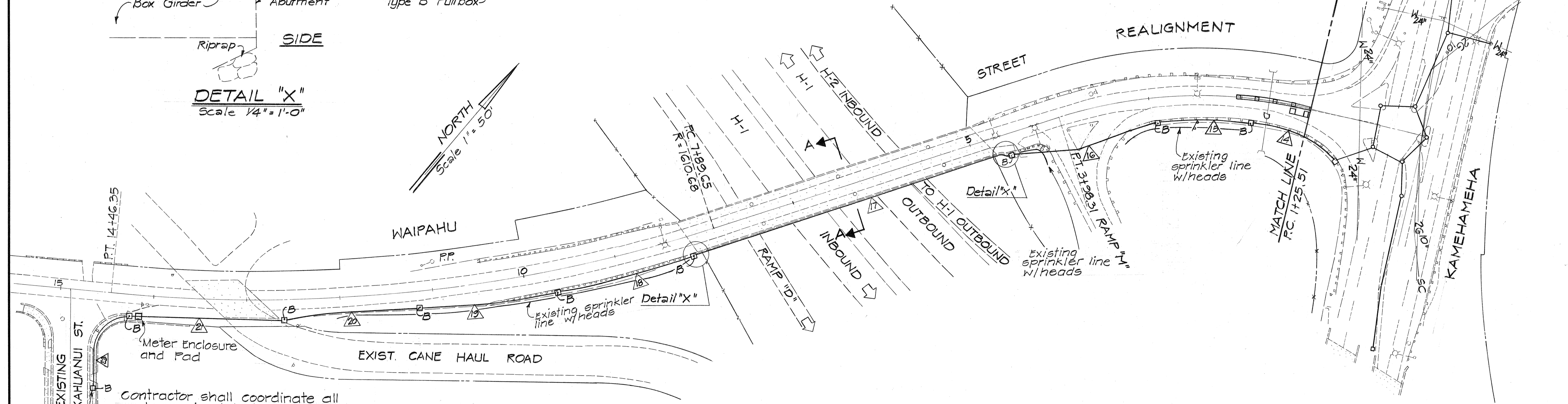
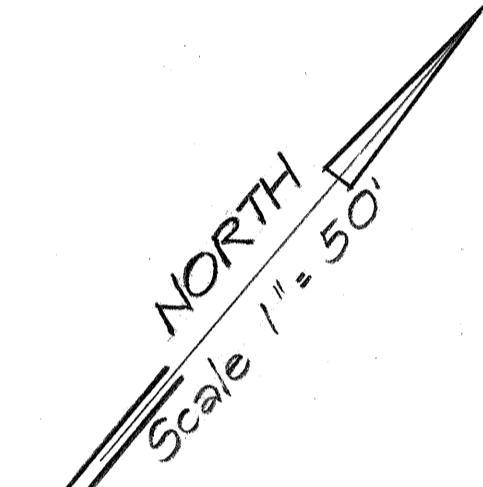
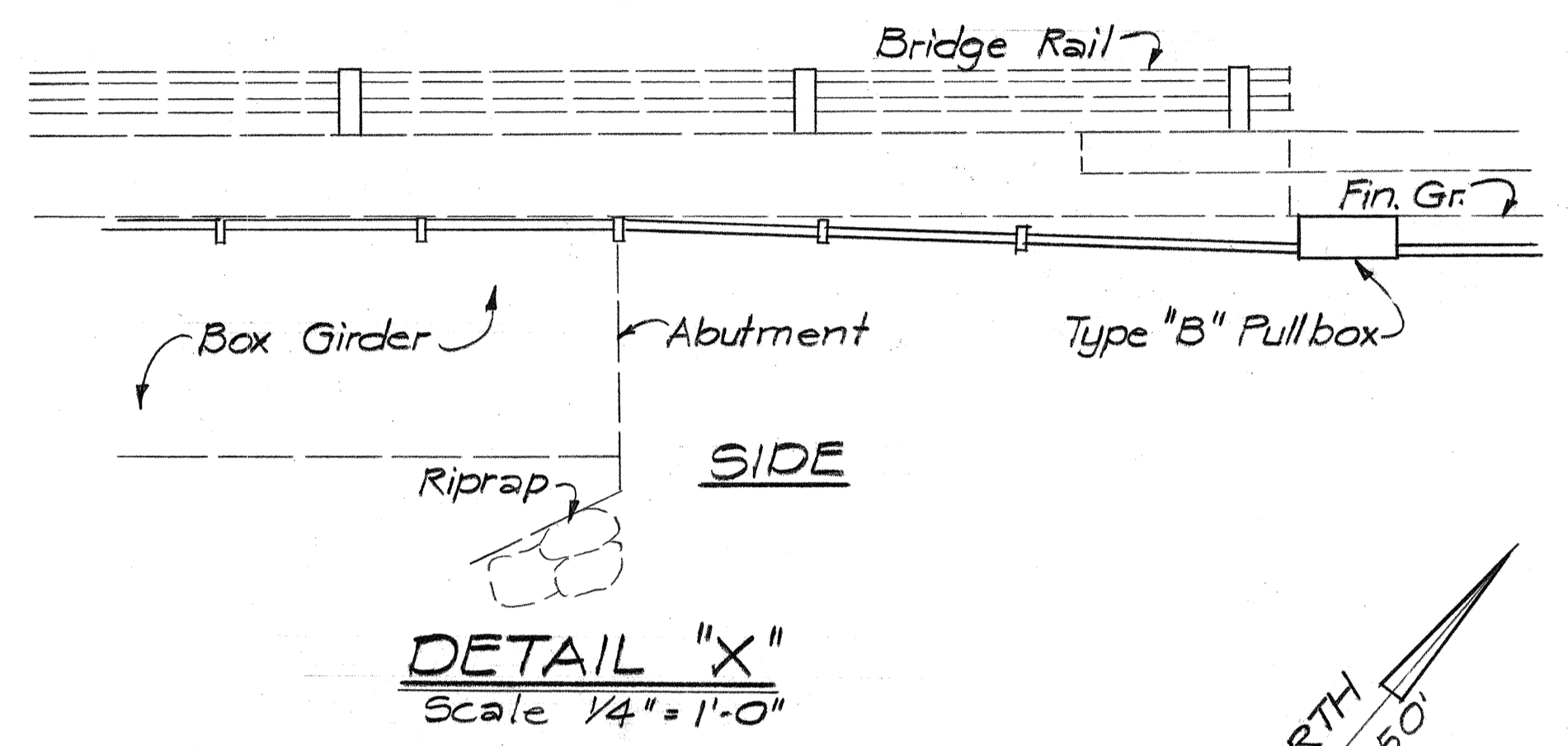
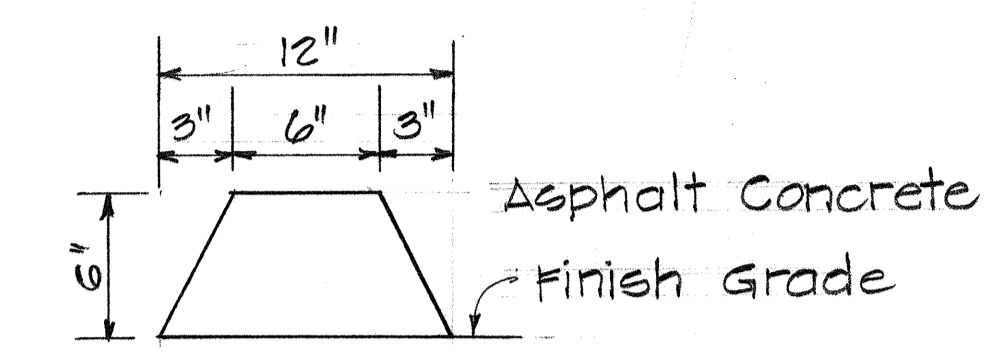
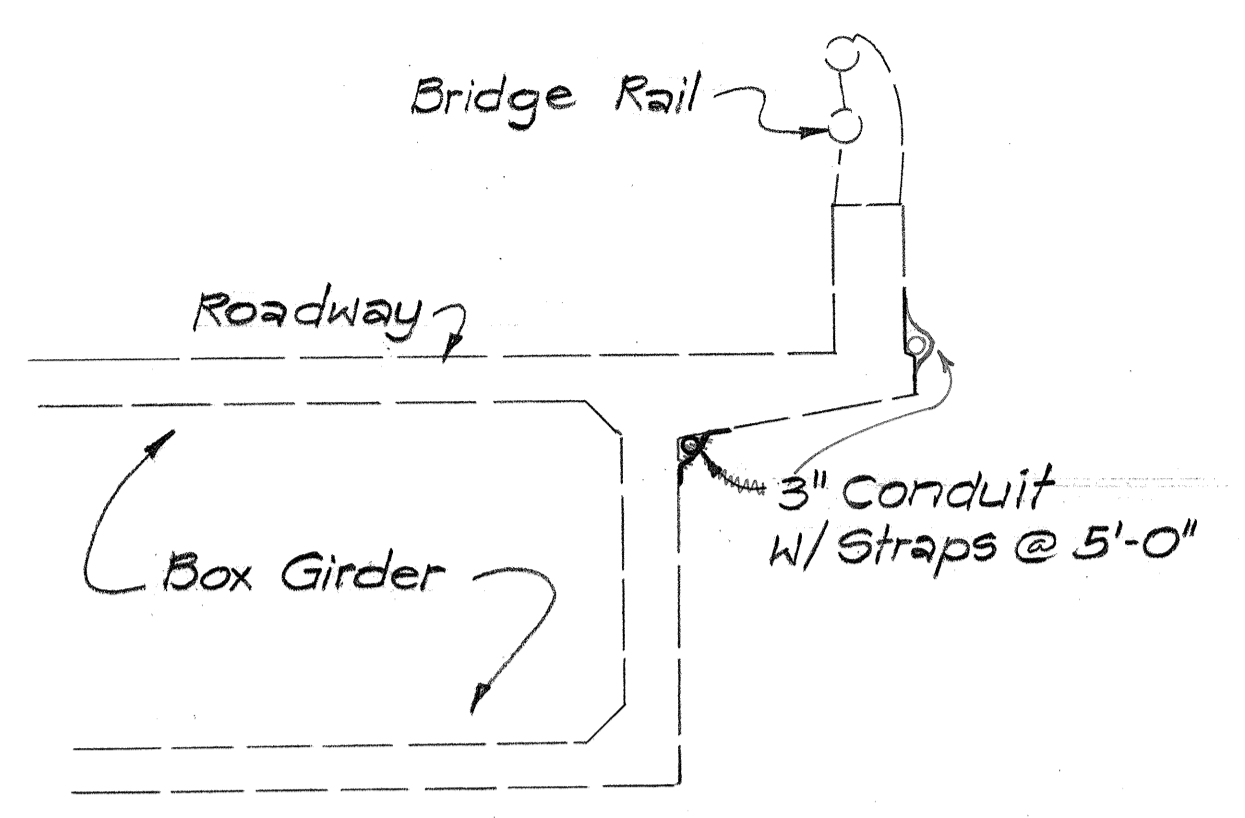
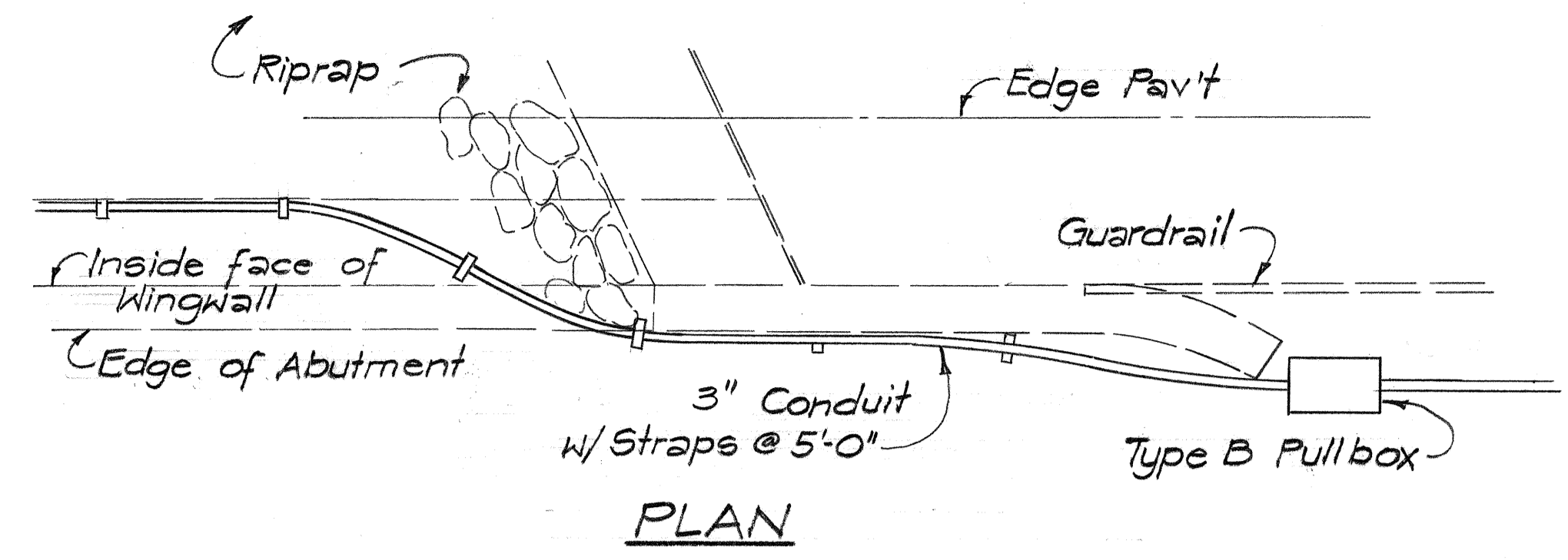
PLAN

TRAFFIC SIGNAL SYSTEM,
SIGNS, PAVEMENT MARKINGS
FED. AID PROJ. NO. HHS-099-1(5)

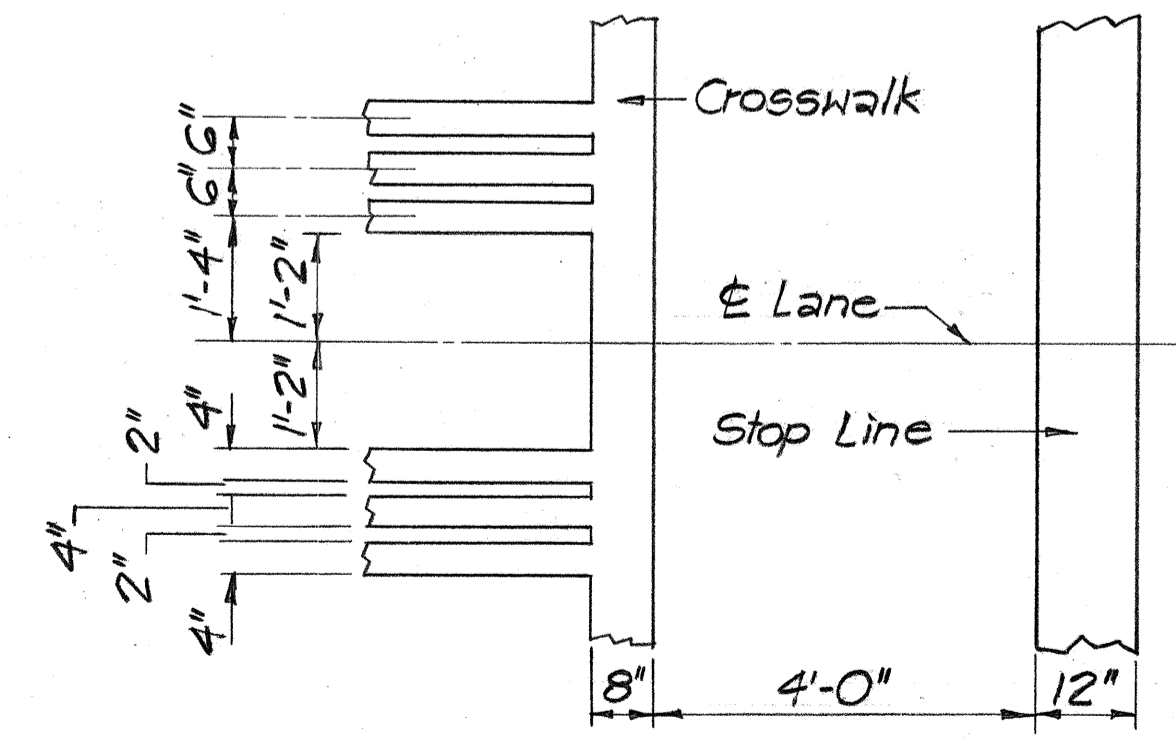
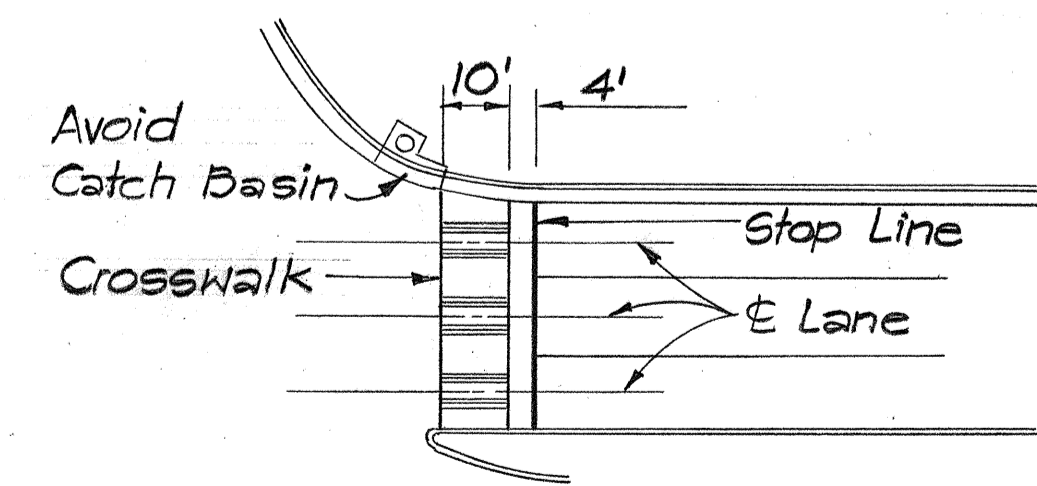
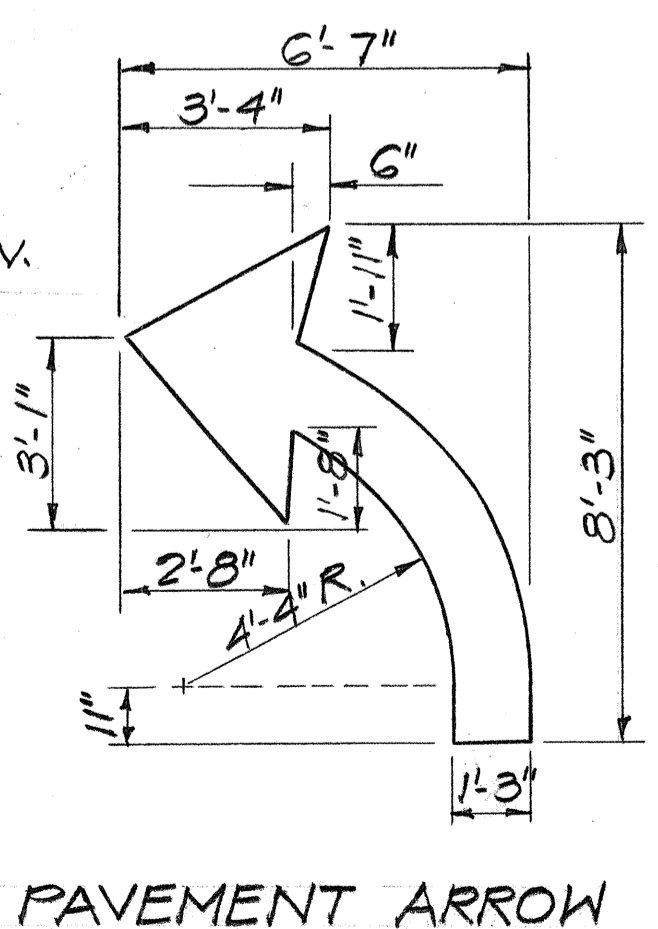
Scale: As shown Date:
SHEET NO. 1 OF 2 SHEETS

SURVEY PLOTTED BY: _____
 DATE: _____
 DRAWN BY: _____
 CHECKED BY: _____
 ORIGINAL PLAN NO.: _____
 NOTE BOOK NO.: _____
 CHECKED BY: _____

FED. ROAD DIST. NO.	STATE	FED. AID PROJ. NO.	FISCAL YEAR	SHEET NO.	TOTAL SHEETS
HAWAII	HAW.	HHS-099-1(5)	1975	4	11



Contractor shall coordinate all work required between pullbox and service tail with H.E.Co. Coil sufficient length of cable in pullbox for H.E.Co. connection to service tail. Contractor shall notify H.E.Co. Inspection div. Phone 5484428 at least 3 days prior to scheduling any work at the service tail.



STRIPING DETAILS
Not to Scale

STATE OF HAWAII
DEPARTMENT OF TRANSPORTATION
HIGHWAYS DIVISION

PLAN

**TRAFFIC SIGNAL SYSTEM,
SIGNS, PAVEMENT MARKINGS
AND DETAILS**

FED. AID PROJ. NO. HHS-099-1(5)
PHASE I

Scale: As shown Date: _____

SHEET NO. 2 OF 2 SHEETS

SURVEY PLOTTED BY	DATE
DRAWN BY	
DESIGNED BY	
QUANTITIES BY	
NOTE BOOK	
CHECKED BY	