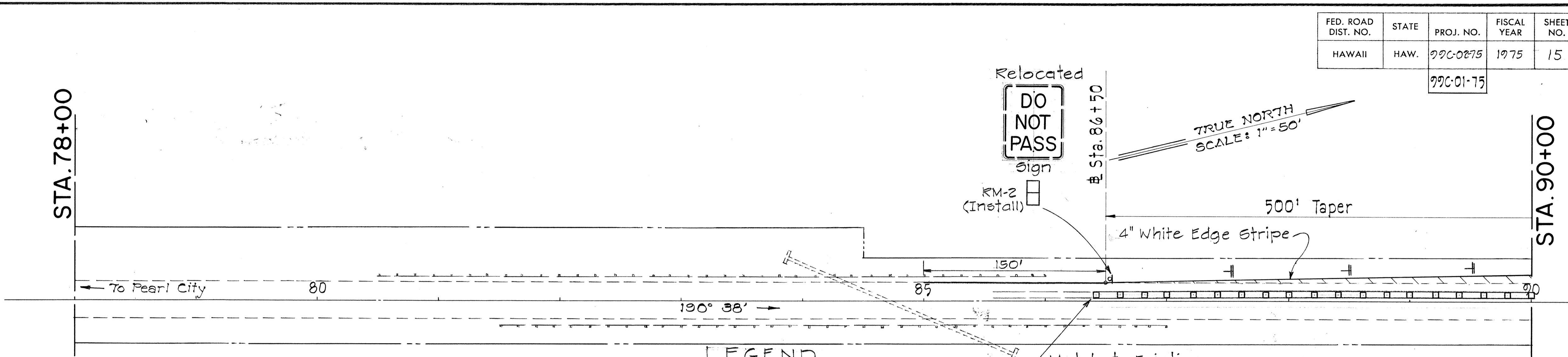
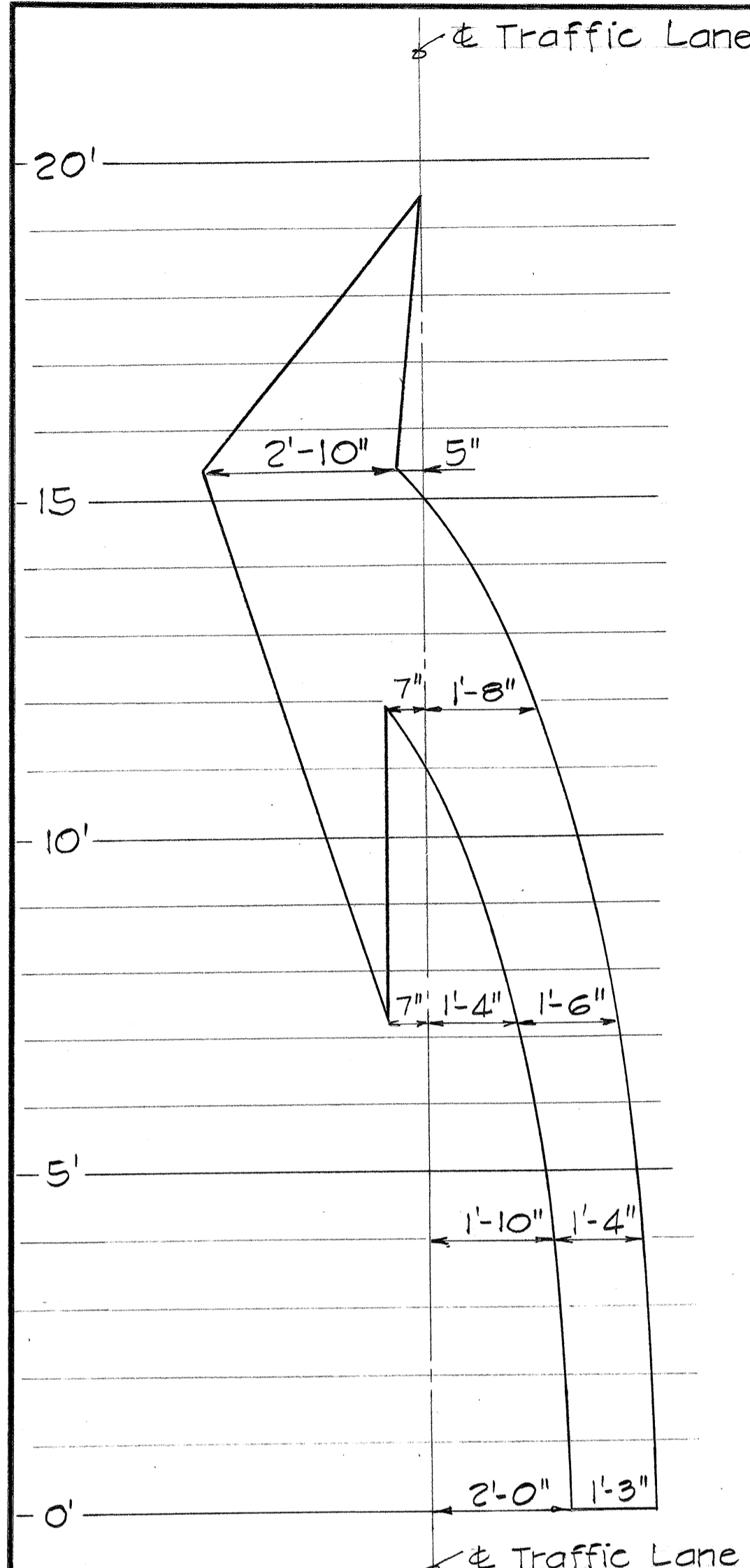


FED. ROAD DIST. NO.	STATE	PROJ. NO.	FISCAL YEAR	SHEET NO.	TOTAL SHEETS
HAWAII	HAW.	99C-0275	1975	15	21
		99C-01-75			



- LEGEND**
- ■ — Type "A" and "C" Raised Pavement Markers (Painted Stripe and Type "C" Markers for Proj. No. 99C-01-75 and Proj. No. 99C-02-75 - See Detail this sheet)
 - ■ ■ — 8" White Stripe w/ Type "C" Markers 20' O.C. (4" White When Indicated)
 - ■ ■ ■ — Double 4" Yellow Stripe w/ Type "D" Markers 20' O.C.
 - ■ — 4" Yellow Stripe w/ Type "H" Markers 40' O.C. (Extend stripe around median nose when shown)
 - ■ ■ ■ — Double 4" Yellow Stripe w/ Type "H" Markers 20' O.C.
 - ■ ■ ■ — White Crosswalk Marking (4 ea. "Lanes" Shown)
 - — — 12" White Stop Line
 - ↖ White Pavement Arrow
 - — — 4" White Guide Line
 - ⊣ Regulatory or Warning Sign with Post
 - ■ — RM-2 with Post

CURVE DATA

Δ	= 26° 46' 30"
R	= 1,432.69
T	= 340.98
C	= 663.44
Lc	= 669.50

CURVE DATA

Δ	= 13° 24'
R	= 943.17
T	= 110.80
C	= 220.08
Lc	= 220.58

PAVEMENT ARROW
Scale: 1/2" = 1'-0"

STA. 90+00

STA. 90+00

STA. 78+00

DATE	
DESIGNED BY	
DRAWN BY	
CHECKED BY	
NO. _____	

4" Painted White Stripe
Type "C" Pavement Markers

LANE LINE DETAIL
Proj. No. 99C-01-75 &
Proj. No. 99C-02-75

DATE	REVISION
6-27-75	REVISE SIGNS & PAVEMENT MARKINGS

STATE OF HAWAII
DEPARTMENT OF TRANSPORTATION
HIGHWAYS DIVISION

SIGNING & PAVEMENT MARKINGS

TRAFFIC SIGNALS AT LANIKUHANA AND KAMEHAMEHA HIGHWAY

PROJECT NO. 99C-02-75

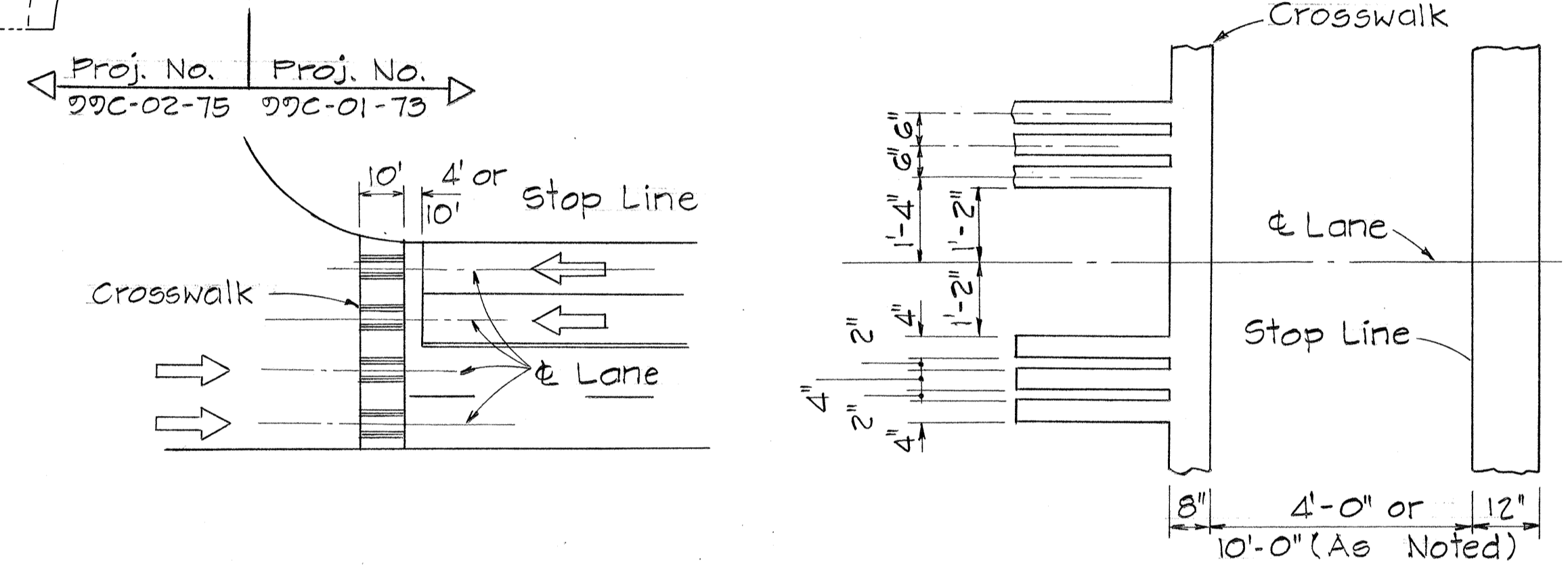
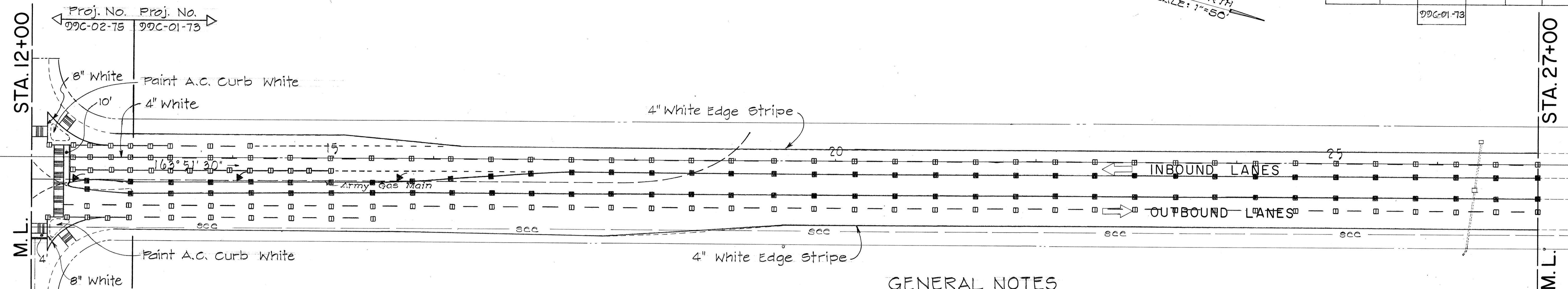
KAMEHAMEHA HWY., EXTENSION AND WIDENING OF HONOLULU BOUND FROM LANIKUHANA AVE.
PROJECT NO. 99C-01-75

SHEET No. 1 OF 6 SHEETS

C.O. 15

FED. ROAD DIST. NO.	STATE	PROJ. NO.	FISCAL YEAR	SHEET NO.	TOTAL SHEETS
HAWAII	HAW.	99C-02-75	1975	16	21
		99C-01-73			

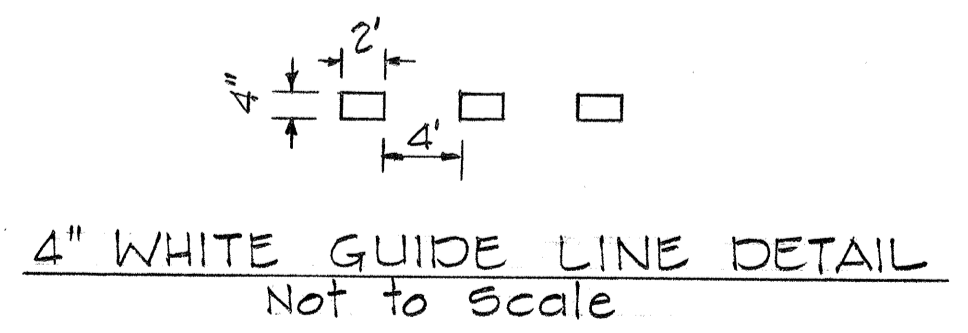
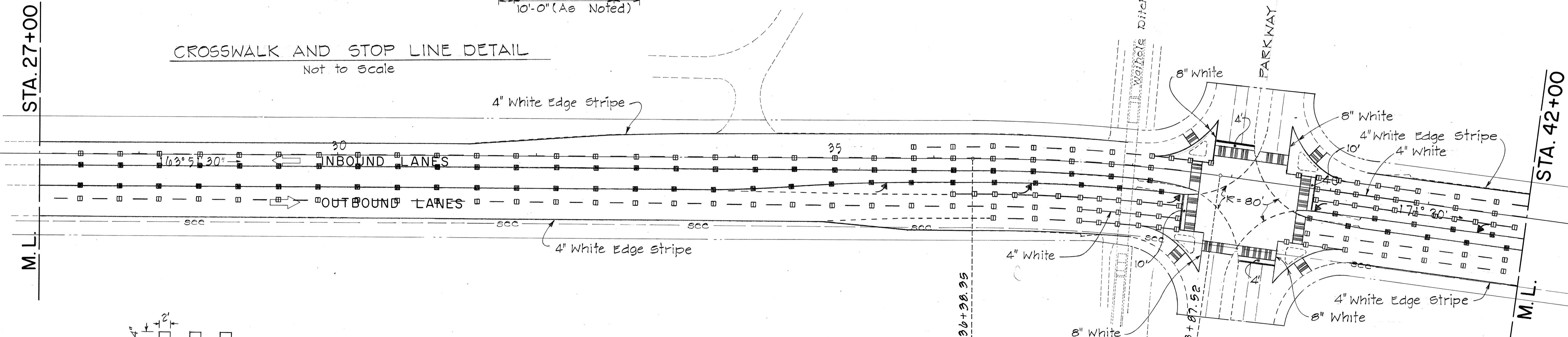
TRUE NORTH
SCALE: 1"=50'



GENERAL NOTES

1. Pavement markings shall conform to the "Manual On Uniform Traffic Control Devices For Streets And Highways", 1971 and as shown on plans.
2. Layout of pavement markings shall be done by the Contractor and approved by the Engineer.

CROSSWALK AND STOP LINE DETAIL
Not to Scale



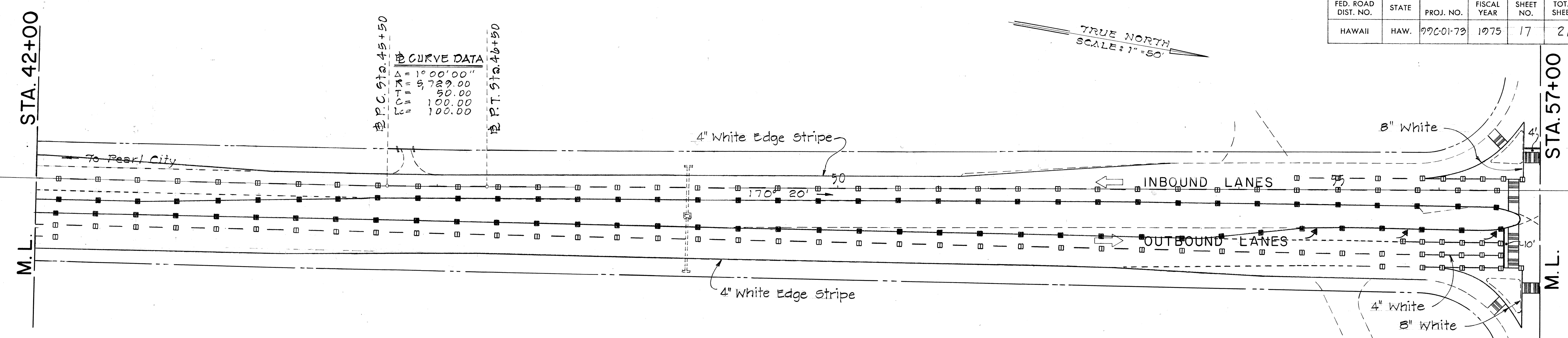
CURVE DATA

Δ	7° 28' 30"
L	1,909.86
C	124.76
Lc	248.99
Lc	249.17

STATE OF HAWAII
DEPARTMENT OF TRANSPORTATION
HIGHWAYS DIVISION
PAVEMENT MARKINGS
TRAFFIC SIGNALS AT LANIKUHANA
AND KAMEHAMEHA HIGHWAY
PROJECT NO. 99C-02-75
KAMEHAMEHA HWY RESURFACING
VICINITY OF CRESTVIEW TO WAHAWA
PROJECT NO. 99C-01-73
SCALE: AS SHOWN DATE: NOV. 1974
SHEET No. 2 OF 6 SHEETS

SURVEY PLOTTED BY	DATE
DRAWN BY	
CHECKED BY	
DESIGNED BY	
QUANTITIES BY	
CHECKED BY	
ORIGINAL PLAN	
NOTE BOOK	
No.	

FED. ROAD DIST. NO.	STATE	PROJ. NO.	FISCAL YEAR	SHEET NO.	TOTAL SHEETS
HAWAII	HAW.	99C-01-73	1975	17	21

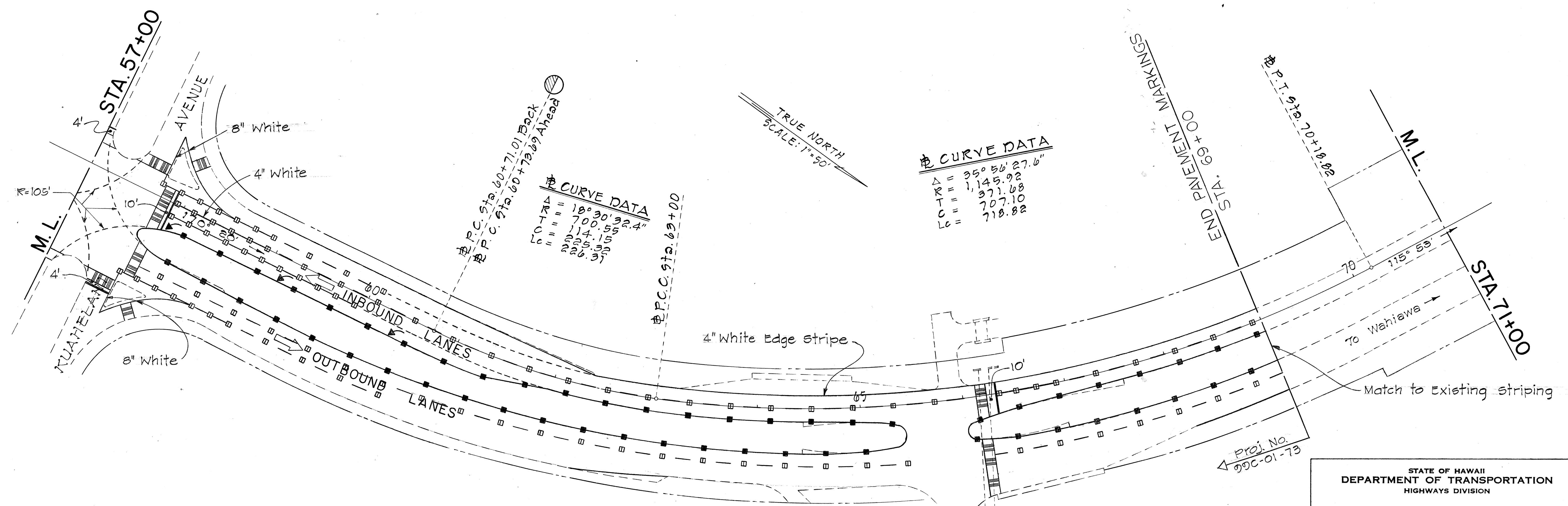


⊕ CURVE DATA

Δ	1° 00' 00"
TR	5729.00
CS	50.00
LC	100.00

TRUE NORTH
SCALE: 1"=50'

DATE	_____
STAMPED BY	_____
DRAWN BY	_____
DESIGNED BY	_____
CHECKED BY	_____
NOTE BOOK No.	_____



⊕ CURVE DATA

Δ	18° 30' 32"
TR	700.55
CS	114.15
LC	228.30

⊕ CURVE DATA

Δ	35° 56' 27.6"
TR	1145.92
CS	371.68
LC	707.10

TRUE NORTH
SCALE: 1"=50'

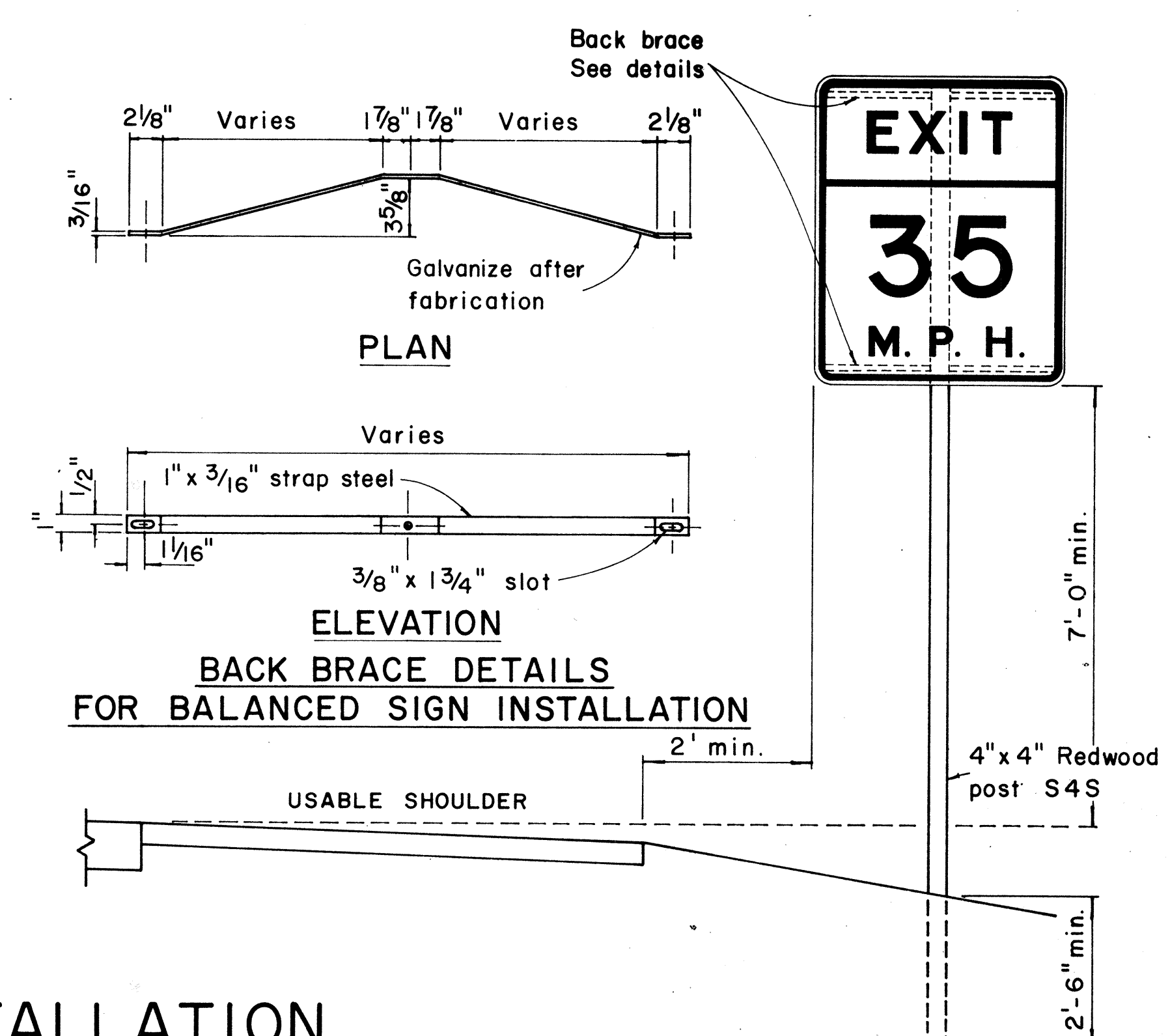
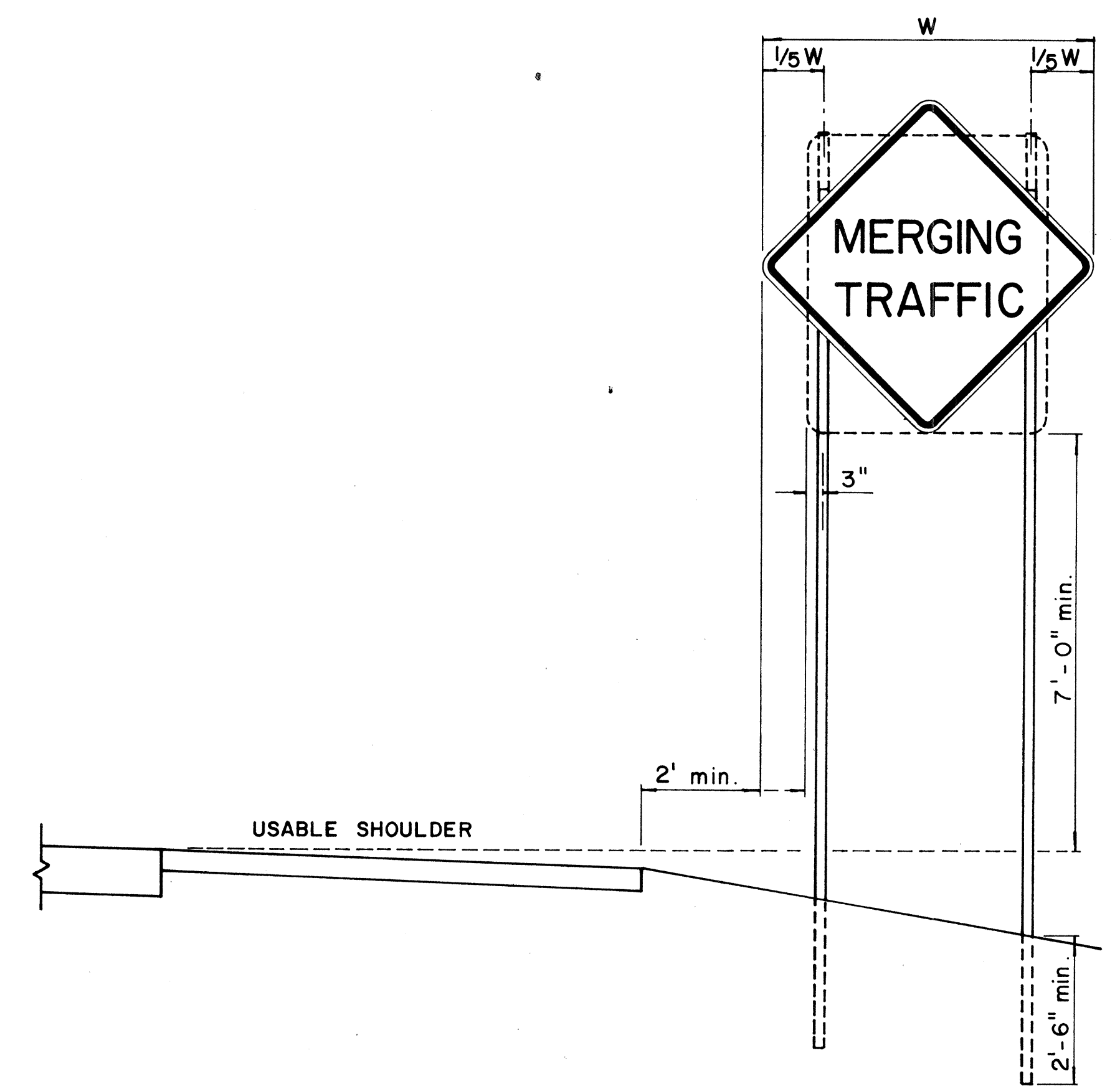
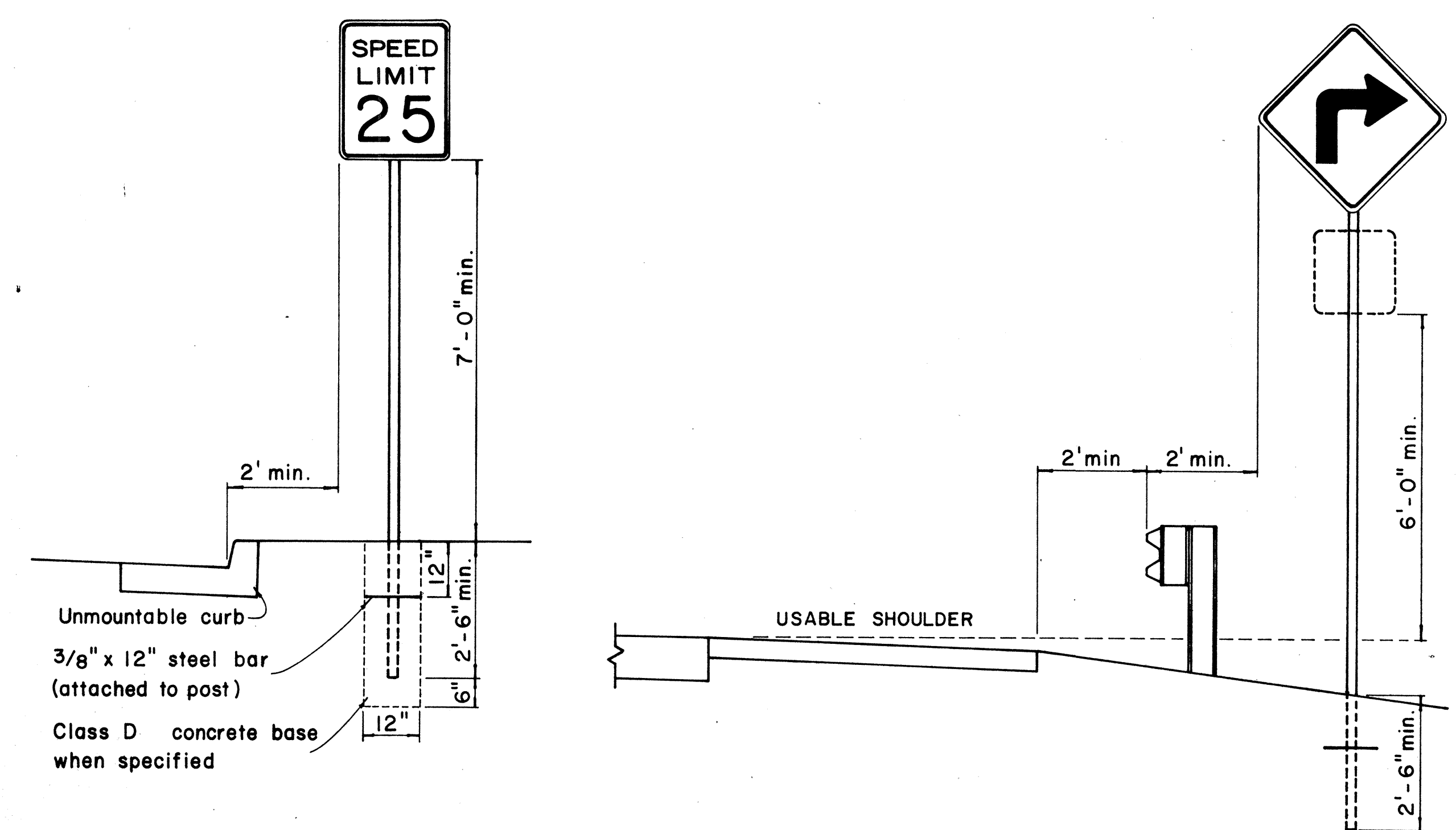
STATE OF HAWAII
DEPARTMENT OF TRANSPORTATION
HIGHWAYS DIVISION

PAVEMENT MARKINGS

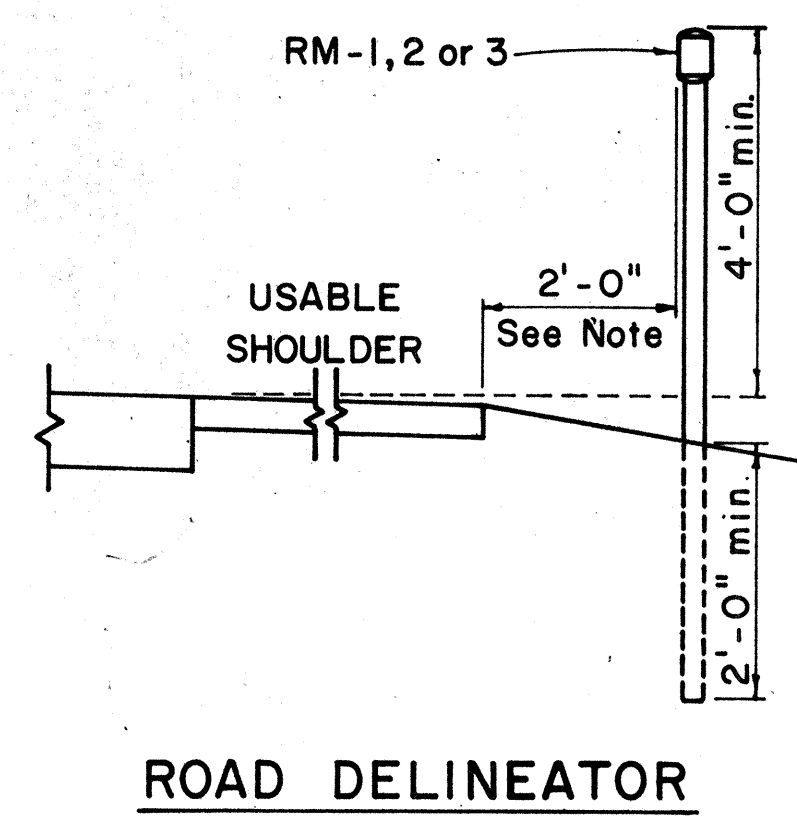
KAMEHAMEHA HWY. RESURFACING
VICINITY OF CRESTVIEW TO WAHIAWA
PROJECT NO. 99C-01-73

SCALE: AS SHOWN DATE: NOV. 1974
SHEET No 3 OF 6 SHEETS

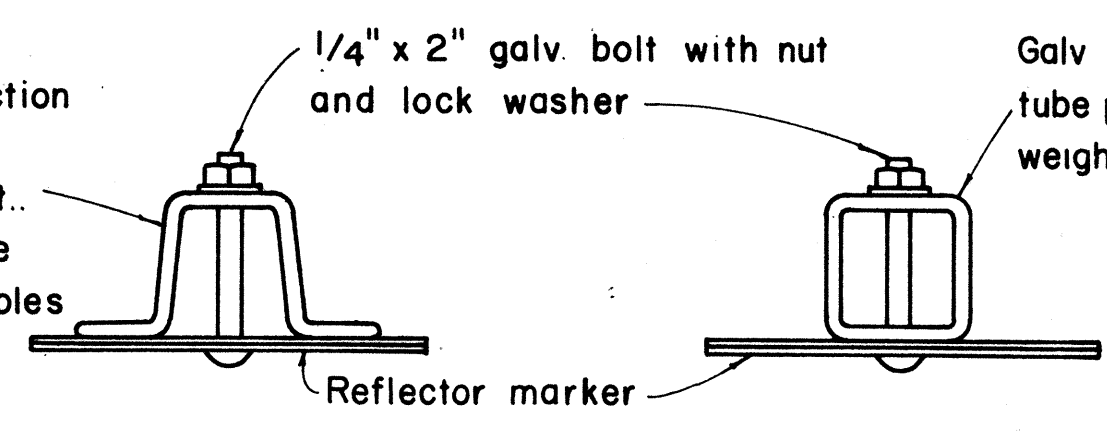
FED. ROAD DIST. NO.	STATE	PROJ. NO.	FISCAL YEAR	SHEET NO.	TOTAL SHEETS
HAWAII	HAW.	99C-01-75	1975	18	21



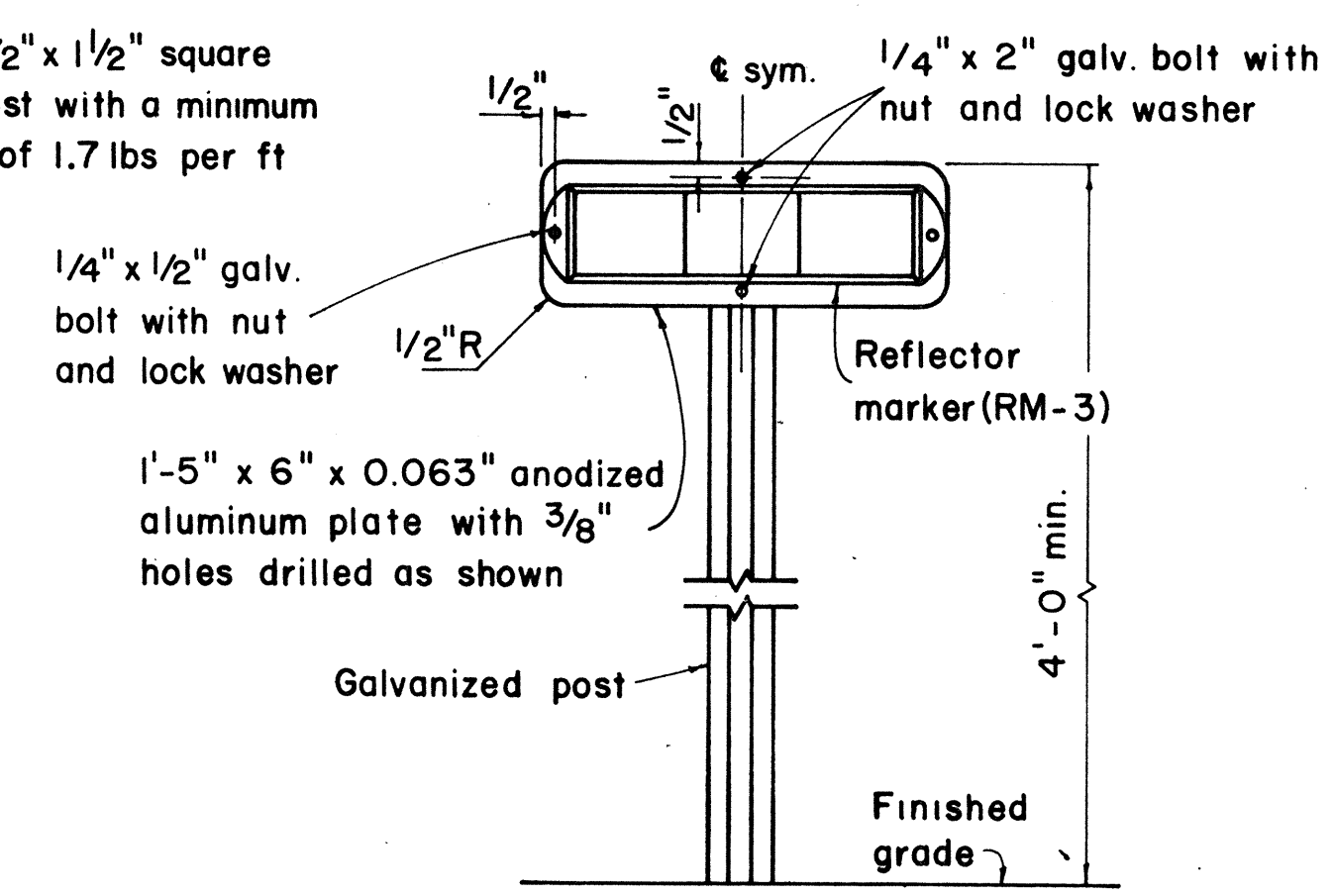
HEIGHT AND LATERAL LOCATION OF SIGNS - TYPICAL INSTALLATION



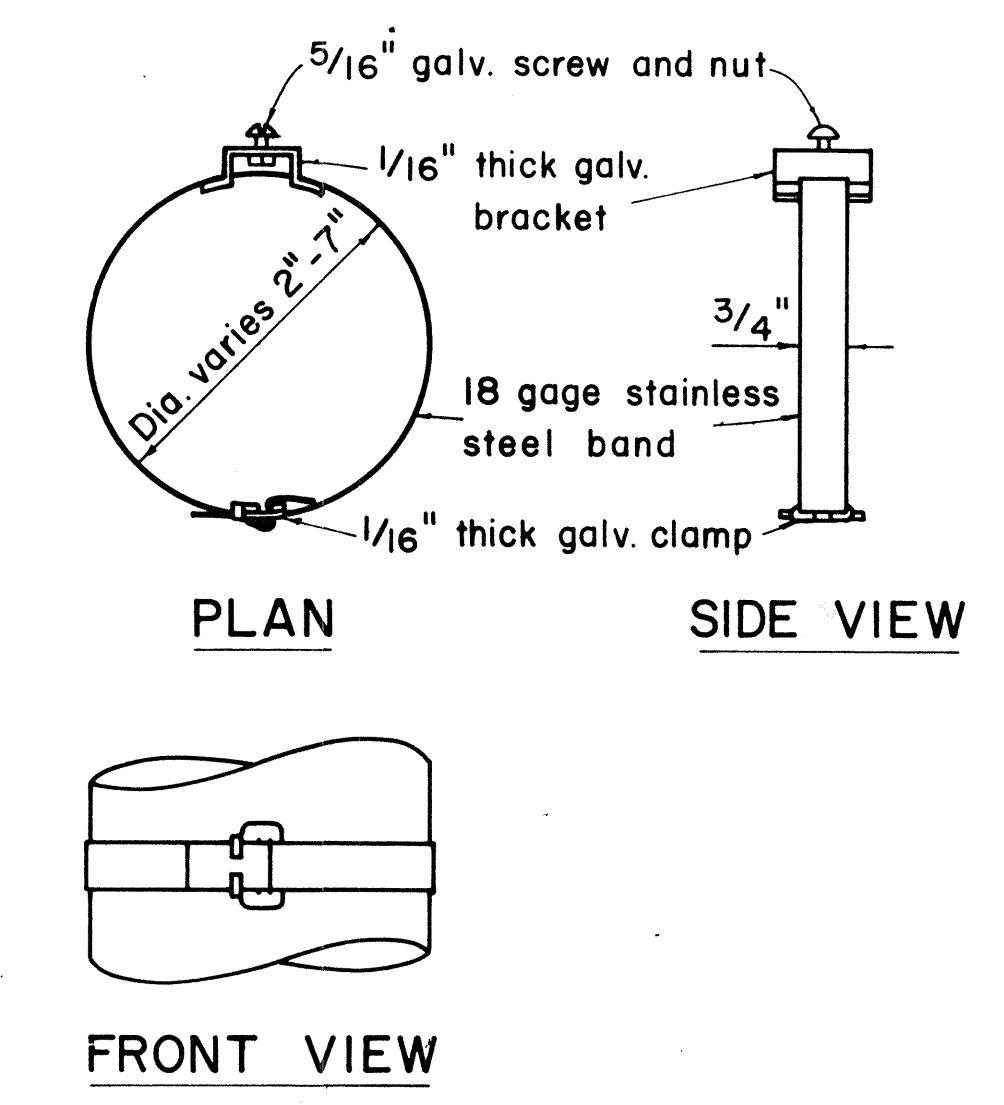
Galv. flanged channel 1/8" x 3/16" rolled section post with a minimum weight of 2 lbs. per ft. Upper 2 ft. shall have a single row of 3/8" holes centered in the web at 1" o.c.



TYPICAL SECTION OF ROAD DELINEATOR



TYPICAL DETAIL
HORIZONTAL REFLECTOR MARKER
RM-3H

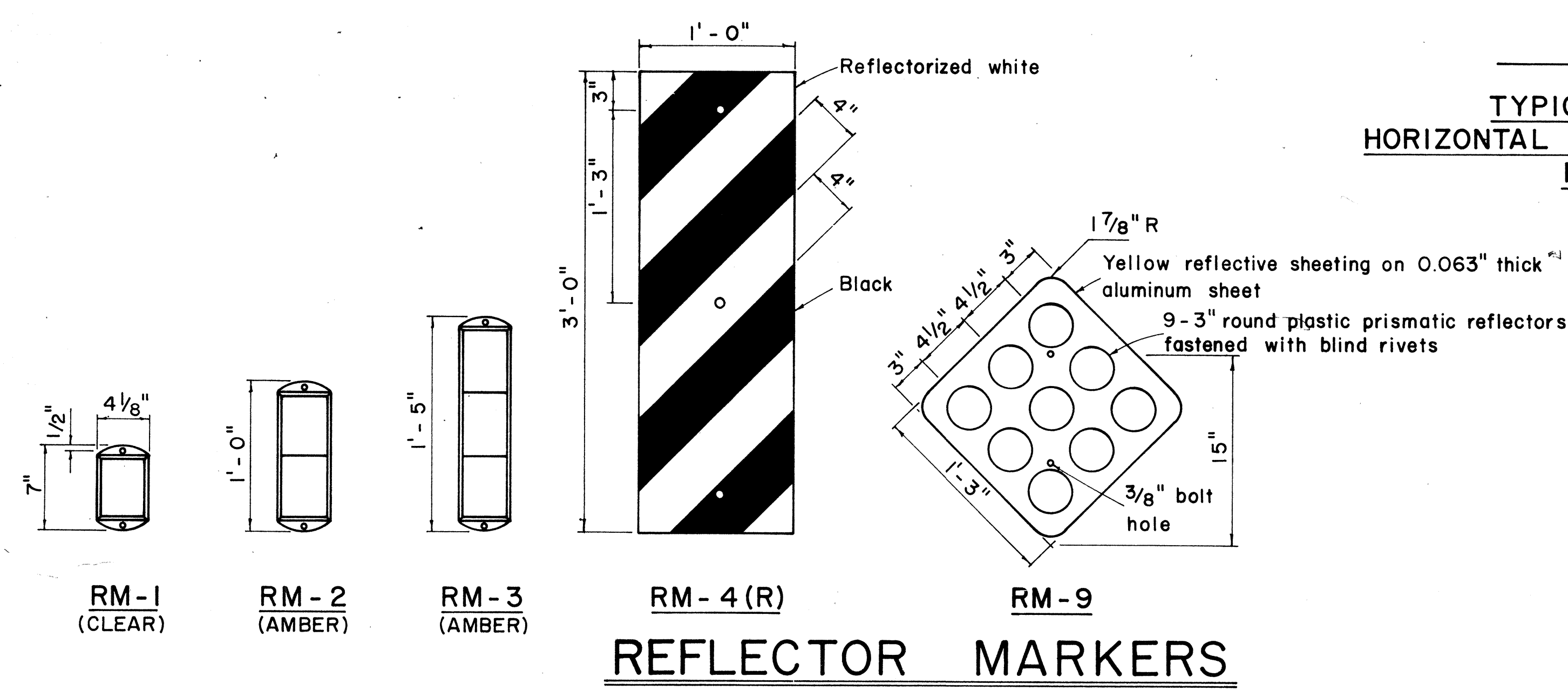


TYPICAL BAND BRACKET FOR
MOUNTING TRAFFIC SIGNS

- GENERAL NOTES:**
- Sign posts shall be 2" galv. standard pipe or 2" x 2" galv. sq. tube post.
 - Signs 48" and wider or larger than 10 sq. ft. in area shall be mounted on two 2" galv. standard pipe or two 2" x 2" galv. sq. tube post or 4" x 4" redwood post S4S.
 - Signs shall be attached to post with 5/16" galv. bolts with nuts and 7/8" x 0.06 stainless steel washers with neoprene rubber gasket.
 - Sign posts shall extend 3 1/2" above sign where required for City and County street name signs.
 - Reflector markers RM-1, 2, 3 shall be glass sphere reflector markers with 4" x 5" reflector units (as shown) or plastic prismatic reflector markers with 3" diameter reflector units.
 - Clearance markers (RM-3, RM-4) shall be installed with the edge of the marker in line with the inner edge of the obstruction.
 - (R) or (L) indicates right or left and shall be as shown on the plans.

APPROVAL RECOMMENDED:
Eiichi Tanaka 12/29/69
 TRAFFIC ENGINEER DATE

APPROVED:
[Signature] 12-29-69
 ASSISTANT CHIEF, ENGINEERING DATE



REFLECTOR MARKERS

NO.	REVISION	APPROVED BY	DATE

STATE OF HAWAII
 DEPARTMENT OF TRANSPORTATION
 HIGHWAYS DIVISION

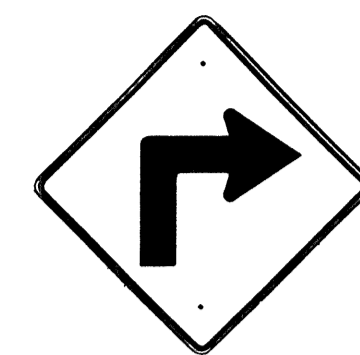
STANDARD DETAILS
 MISCELLANEOUS SIGN DETAILS

Not to scale March, 1968

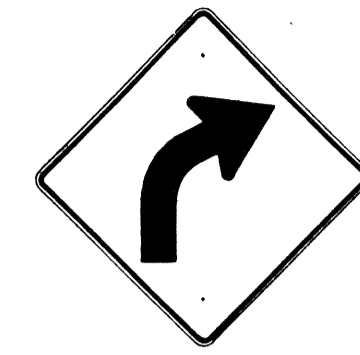
SHEET No. 4 OF 6 SHEETS DT 100

SURVEY PLOTTED BY: _____
 DRAWN BY: _____
 DESIGNED BY: _____
 CHECKED BY: _____
 ORIGINAL PLAN NOTE BOOK No. _____

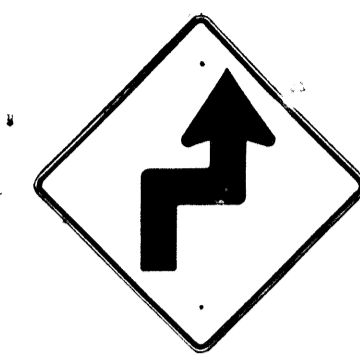
FED. ROAD DIST. NO.	STATE	PROJ. NO.	FISCAL YEAR	SHEET NO.	TOTAL SHEETS
HAWAII*	HAW.	09C-01-75	1975	19	21



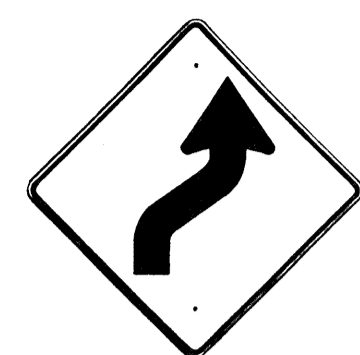
W1-1(R) 30"x30"
W1-1(R)-A 48"x48"



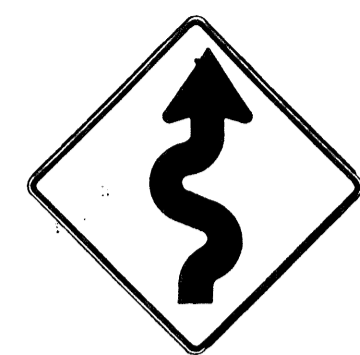
W1-2(R) 30"x30"
W1-2(R)-A 48"x48"



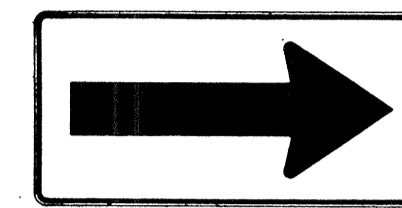
W1-3(R) 30"x30"
W1-3(R)-A 48"x48"



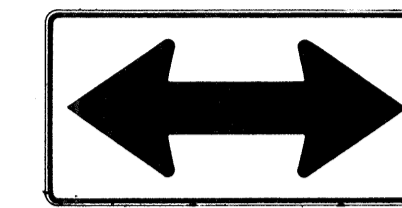
W1-4(R) 30"x30"
W1-4(R)-A 48"x48"



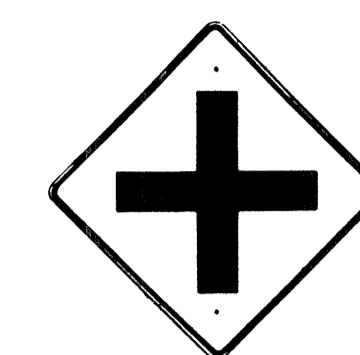
W1-5(R) 30"x30"
W1-5(R)-A 48"x48"



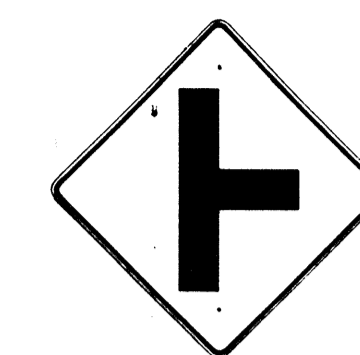
W1-6 48"x24"



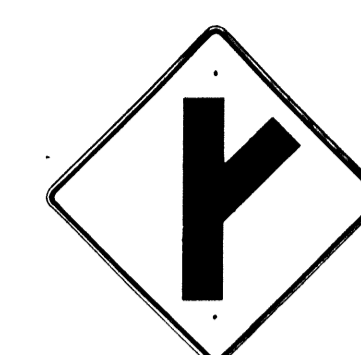
W1-7 48"x24"



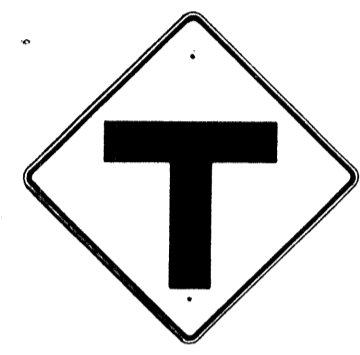
W2-1 30"x30"
W2-1-A 48"x48"



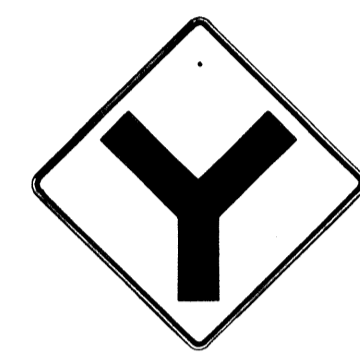
W2-2 30"x30"
W2-2-A 48"x48"



W2-3(R) 30"x30"
W2-3(R)-A 48"x48"



W2-4 30"x30"
W2-4-A 48"x48"



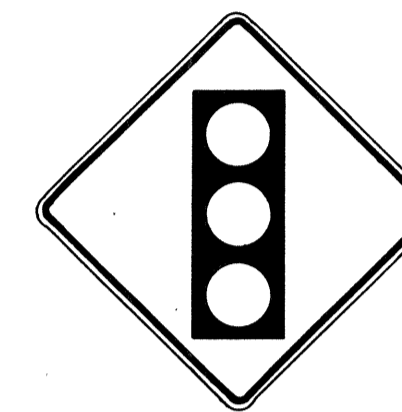
W2-5 30"x30"
W2-5-A 48"x48"



W3-1 30"x30"
W3-1-A 36"x36"



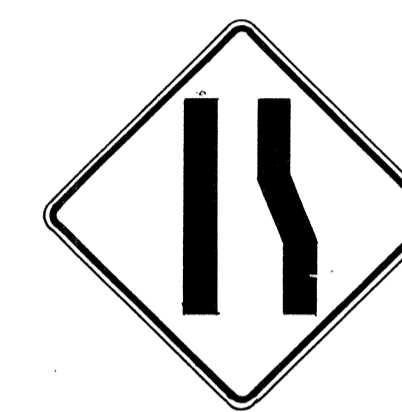
W3-2 30"x30"
W3-2-A 36"x36"



W3-3 36"x36"
24"x18"



W4-1(R) 30"x30"
24"x18"
W4-1(R)-A 48"x48"
24"x18"



W4-2(R) 36"x36"
W4-2(R)-A 48"x48"



W5-1 36"x36"



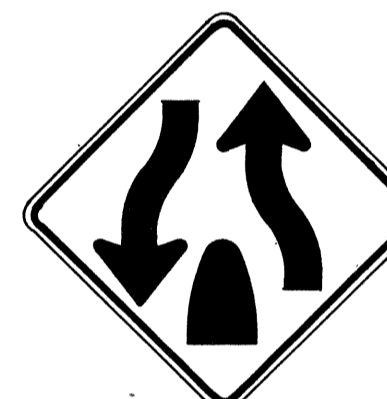
W5-2 30"x30"
W5-2-A 36"x36"



W5-3 36"x36"



W6-1 36"x36"
24"x18"



W6-2 36"x36"
24"x18"



W6-3 30"x30"
24"x18"
W6-3-A 36"x36"
24"x18"
W6-3-B 48"x48"
24"x18"



W7-1 30"x30"
24"x18"
W7-1-A 36"x36"
24"x18"



W7-2 24"x18"



W8-1 30"x30"
W8-1-A 36"x36"



W8-2 30"x30"
W8-2-A 36"x36"



W8-3 30"x30"
W8-3-A 36"x36"



W8-4 30"x30"
W8-4-A 36"x36"



W8-5 30"x30"
24"x18"
W8-5-A 36"x36"
24"x18"



W9-1(R) 30"x30"
W9-1(R)-A 36"x36"
W9-1(R)-B 48"x48"



W9-2(L) 36"x36"
W9-2(L)-A 48"x48"



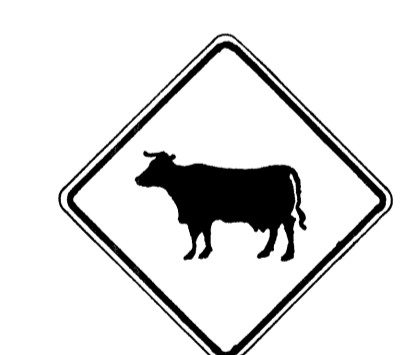
W10-1 36" Diameter



W11-1 30"x30"
24"x18"
W11-1-A 36"x36"
24"x18"



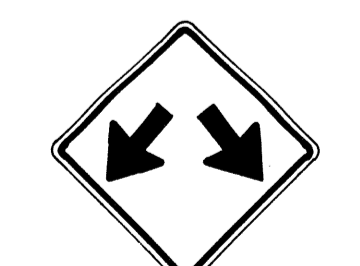
W11-2 30"x30"
24"x18"
W11-2-A 36"x36"
24"x18"



W11-4 30"x30"
24"x18"
W11-4-A 36"x36"
24"x18"



W11-5 30"x30"
24"x18"
W11-5-A 36"x36"
24"x18"



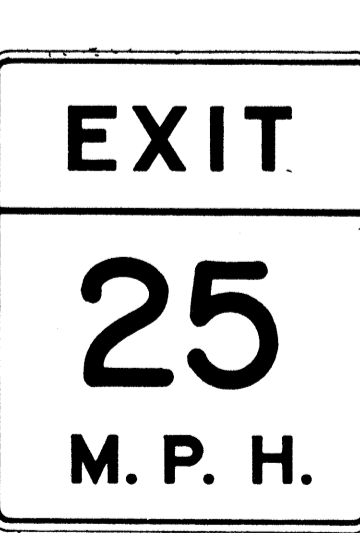
W12-1 24"x24"
W12-1-A 36"x36"
W12-1-B 48"x48"



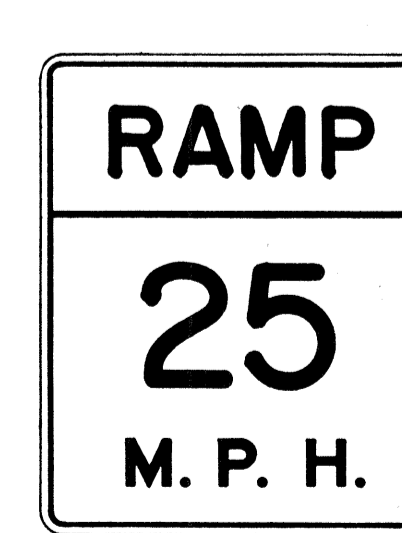
W12-2(12'-6") 36"x36"
24"x18"



W13-1(25) 18"x18"
W13-1(25)-A 24"x24"



W13-2(25) 48"x60"



W13-3(25) 48"x60"



W14-1 30"x30"



W14-3 36"x48"x48"

GENERAL NOTES

1. Sign details shall conform to the FHWA publications "Manual on Uniform Traffic Control Devices for Streets and Highways," 1971, and "Standard Highway Signs," 1972, and as amended.
2. All warning signs shall be reflectorized unless otherwise specified.
3. All warning signs shall have 3/8" bolt holes drilled at appropriate locations.
4. Numerals in () indicates numerals to be inserted for sign message. (R) or (L) indicates right or left.
5. Signs prefixed with "CW" on the plans shall indicate orange and black construction signs.

APPROVAL RECOMMENDED:
Emilio Tanaka 3/17/72
TRAFFIC ENGINEER DATE

APPROVED:
John P. Salsin 3-20-72
ASSISTANT CHIEF, ENGINEERING DATE

NO.	REVISION	APPROVED BY	DATE
1	Supersedes Sht. DT 102 Approved 12-30-69	H.T.	3/20/72
2	Revised General Note 1	H.T.	10/16/72

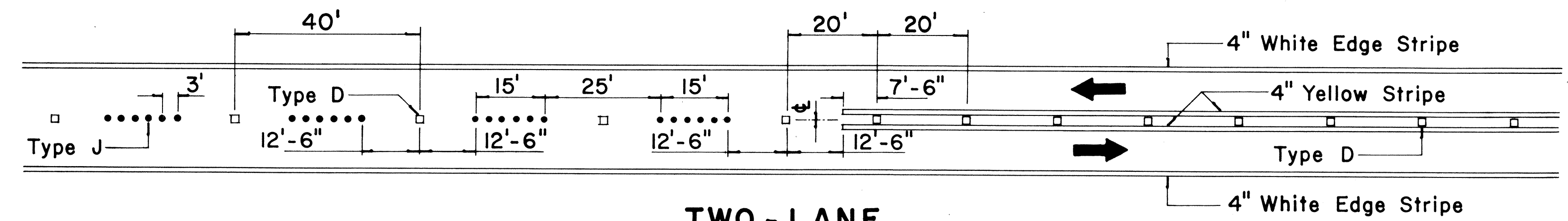
STATE OF HAWAII
DEPARTMENT OF TRANSPORTATION
HIGHWAYS DIVISION

STANDARD DETAILS
WARNING SIGNS

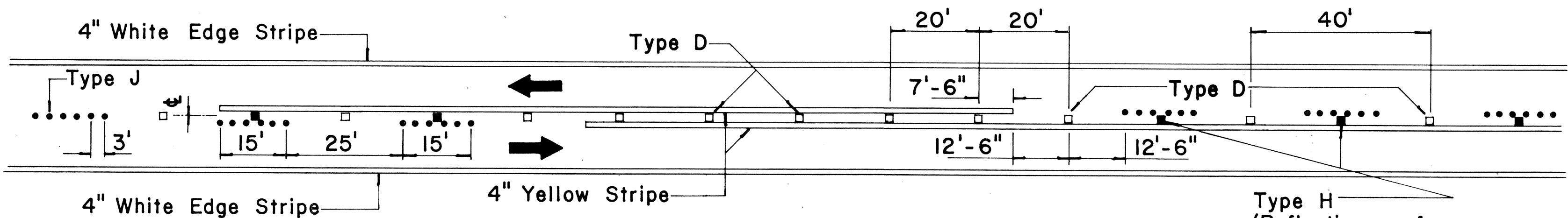
NOT TO SCALE

DATE _____
SURVEY PLOTTED BY _____
DRAWN BY _____
DESIGNED BY _____
NOTE BOOK QUANTITIES BY _____
CHECKED BY _____

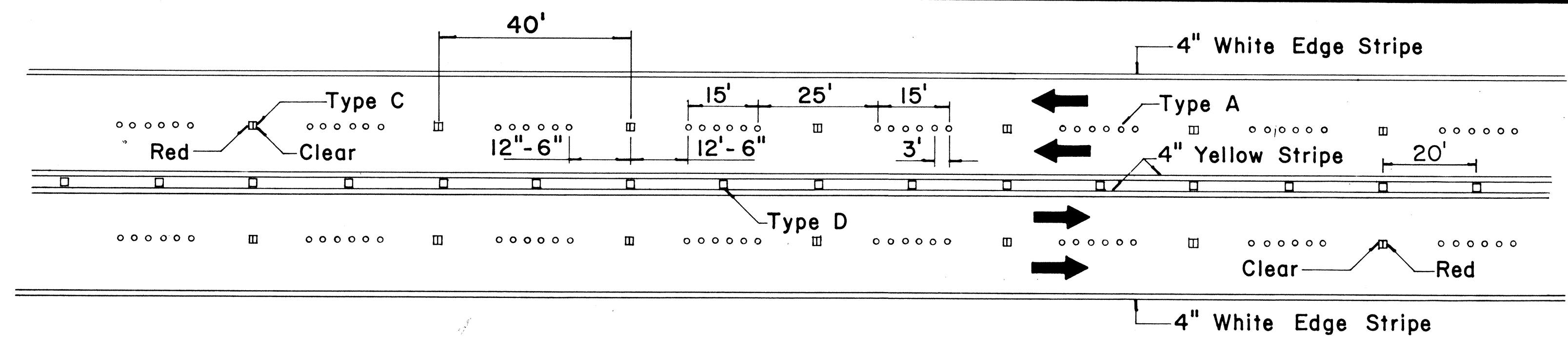
FED. ROAD DIST. NO.	STATE	PROJ. NO.	FISCAL YEAR	SHEET NO.	TOTAL SHEETS
HAWAII	HAW.	99C-01-73 99C-01-75 99C-02-75	1975	20	21



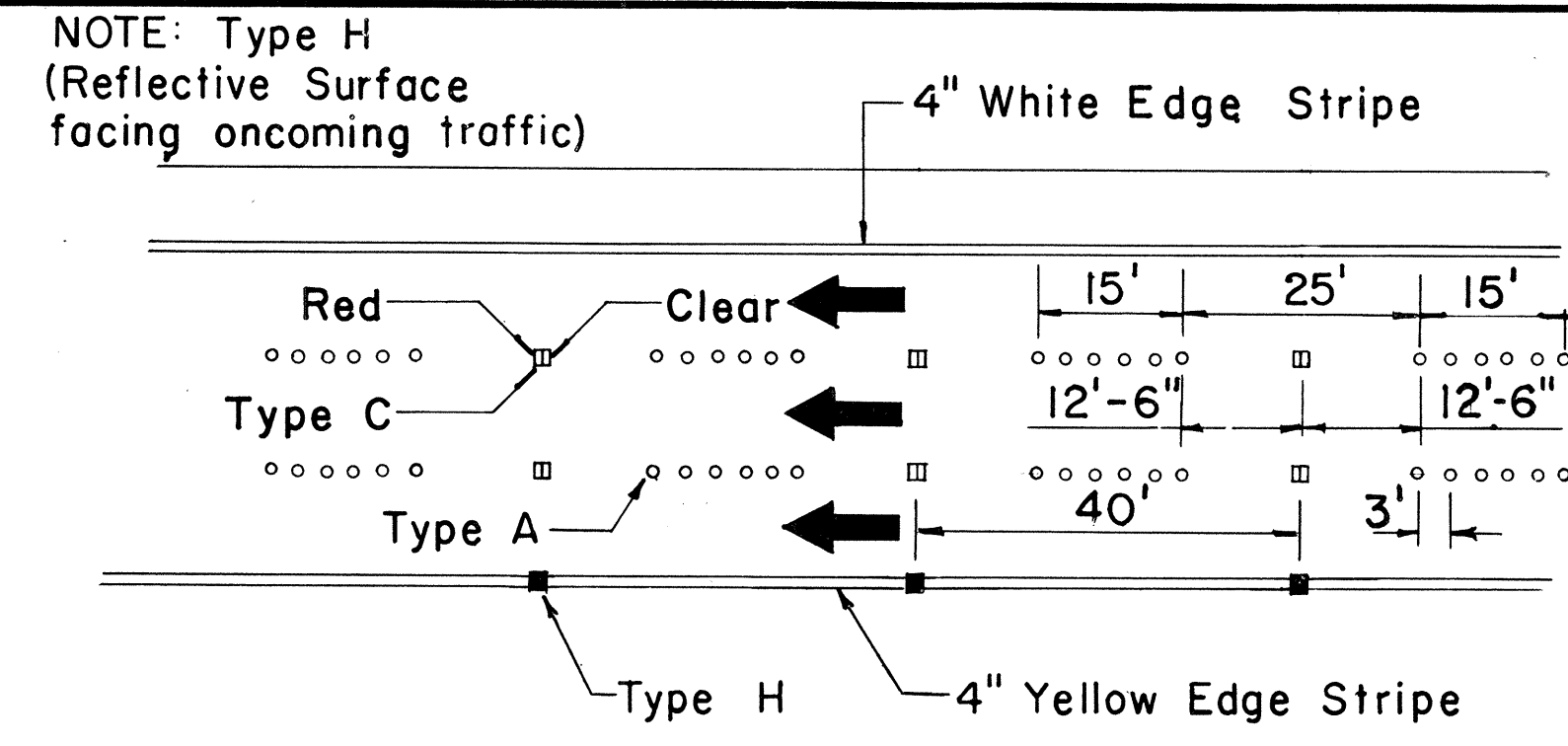
**TWO-LANE
PASSING PERMITTED AND PASSING PROHIBITED**



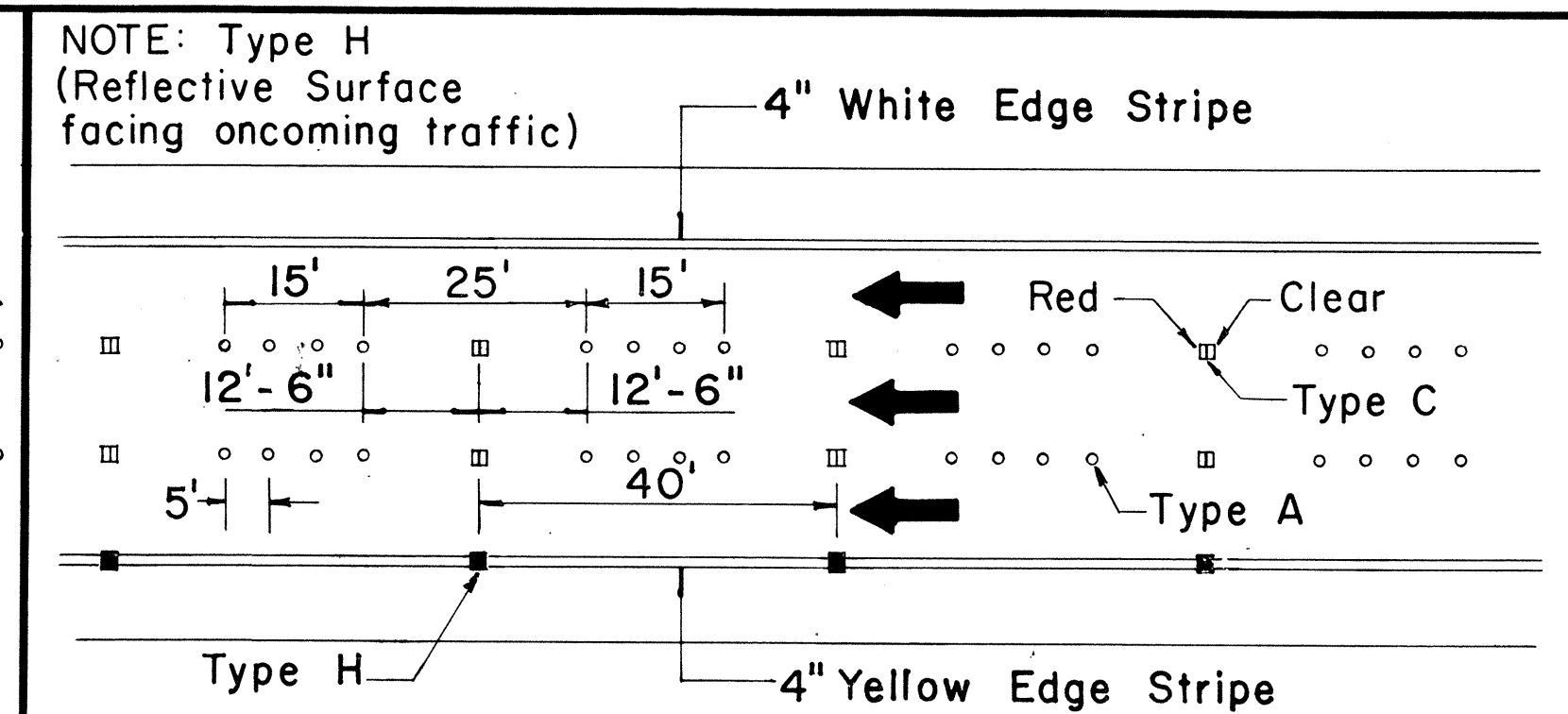
**TWO-LANE
PASSING PROHIBITED ZONES**



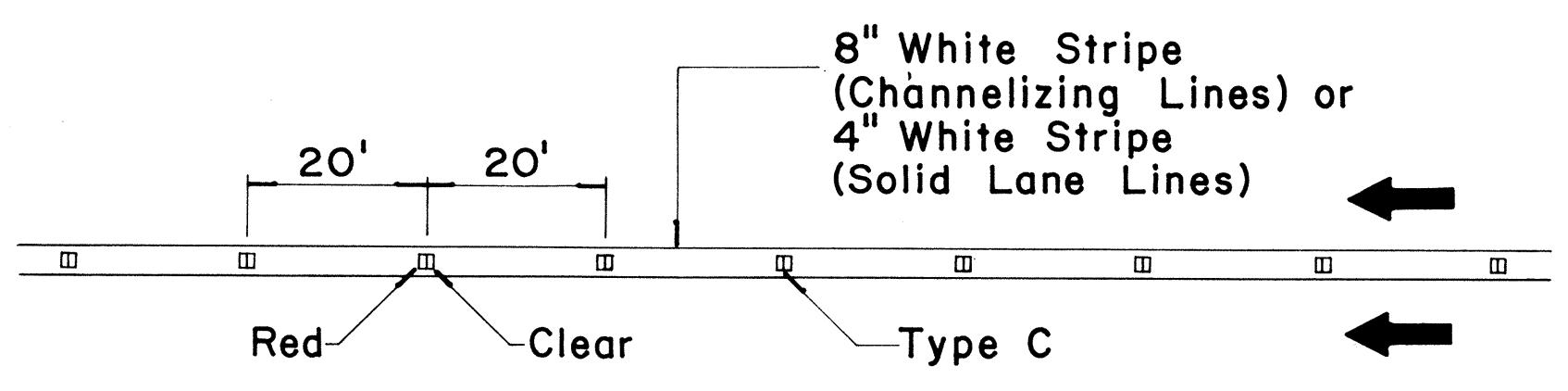
**MULTI-LANE
LANE LINES AND CENTER LINE**



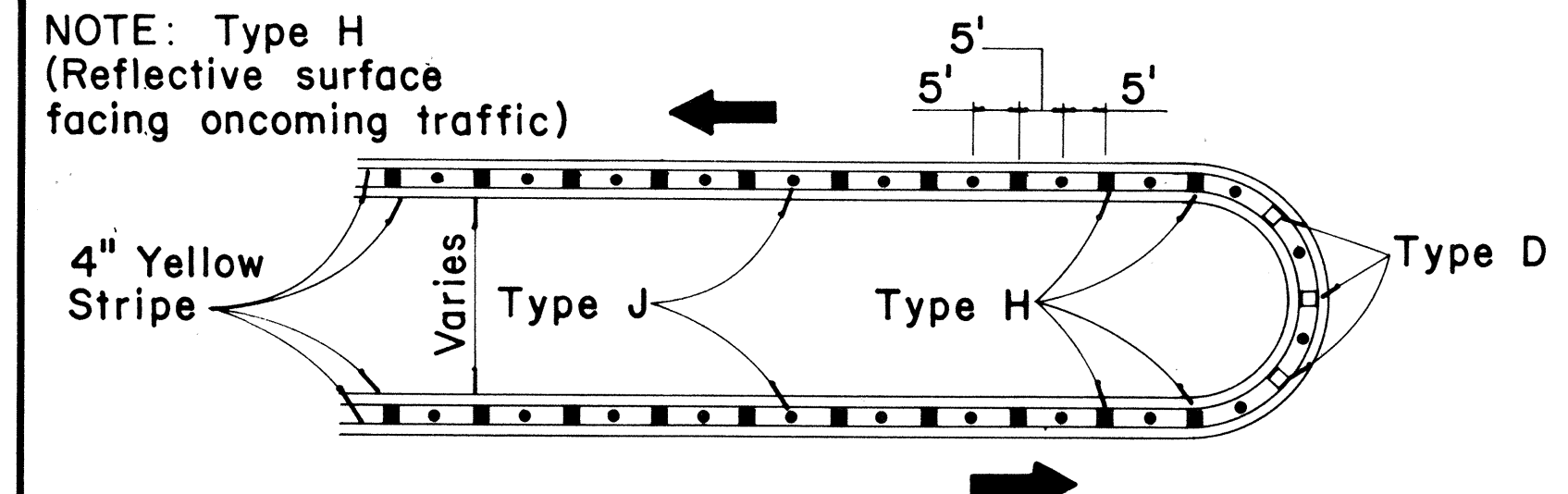
DIVIDED HIGHWAY LANE LINES



FREEWAY LANE LINES



**CHANNELIZING LINES
OR SOLID LANE LINES**



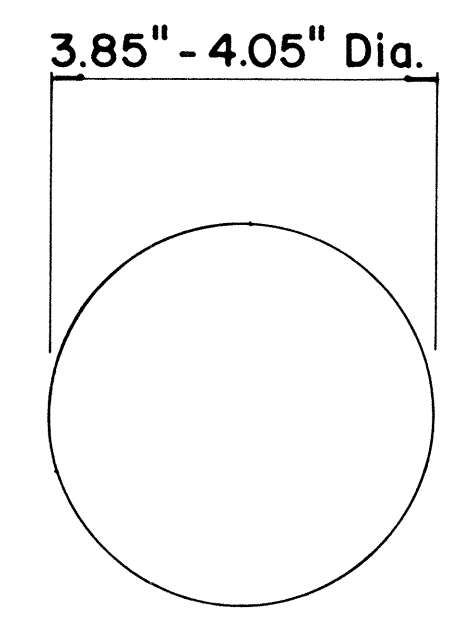
MEDIAN NOSE DELINEATION

TWO - LANE

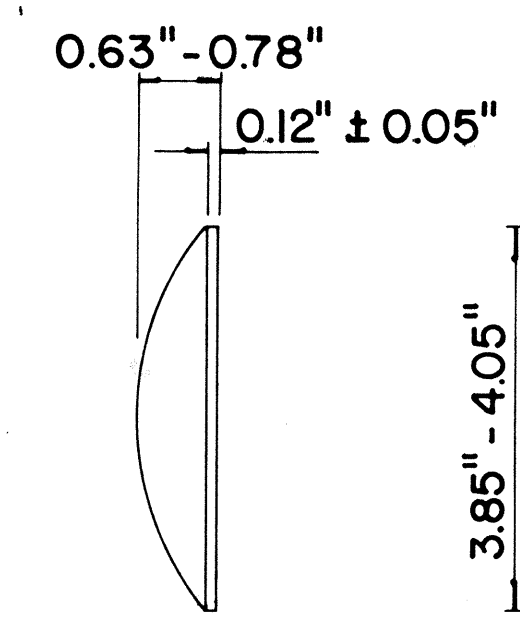
MULTI - LANE

DIVIDED HIGHWAY AND FREEWAY

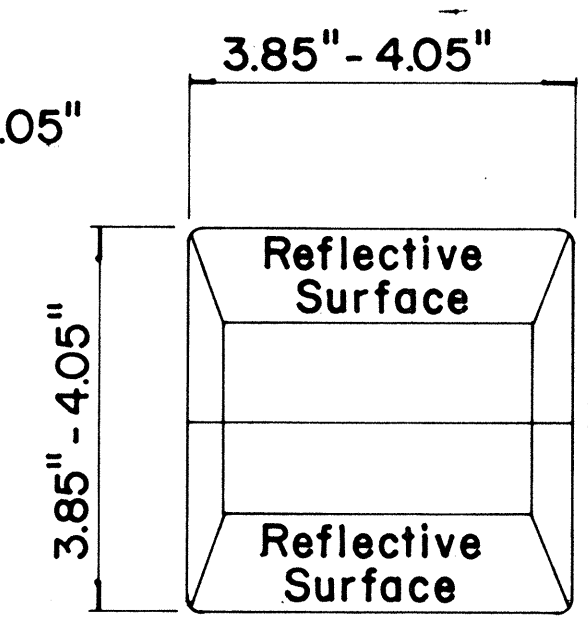
MISCELLANEOUS



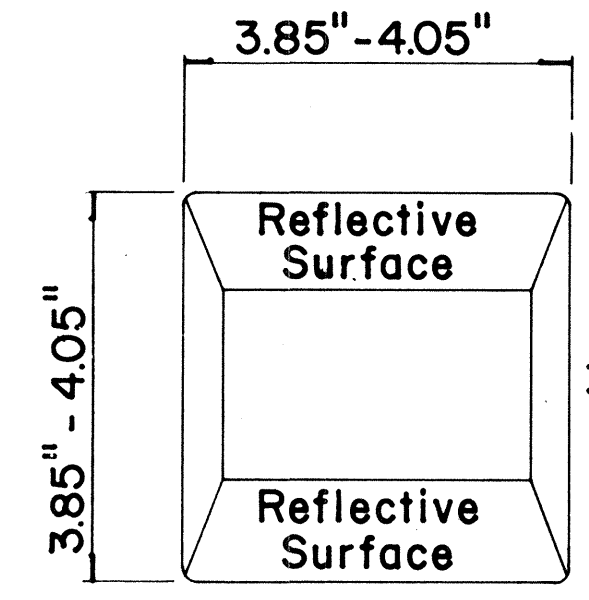
**TYPE A
NON-REFLECTIVE WHITE MARKER**



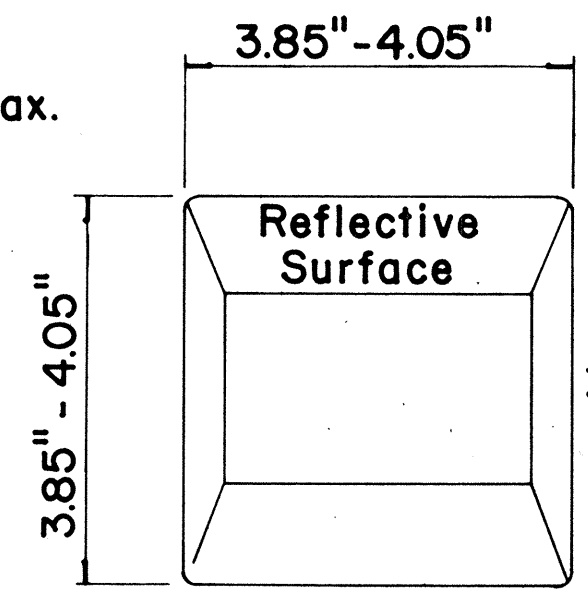
**TYPE J
NON-REFLECTIVE YELLOW MARKER**



**TYPE C
RED-CLEAR REFLECTIVE MARKER**



**TYPE D
TWO-WAY YELLOW REFLECTIVE MARKER**



**TYPE H
ONE-WAY YELLOW REFLECTIVE MARKER**

GENERAL NOTES

1. Painted stripes to be done by Contractor unless otherwise specified.

LEGEND

- Type A
- Type C
- Type D
- Type H
- Type J

APPROVAL RECOMMENDED:
Eiichi Tanaka 11/18/71
 TRAFFIC ENGINEER DATE

APPROVED:
Hubert Sato 11/18/71
 ASSISTANT CHIEF, ENGINEERING DATE

No.	REVISION	APPROVED BY	DATE
1	Add reflector marker in each line gap.	H.	10-27-72
2	Revised General Notes.	H.	10-27-72
3	Change 4" white edge stripe to 4" solid yellow edge stripe to left edge of a travel path and Add Type H Reflector Marker	H.	5-22-74

STATE OF HAWAII
 DEPARTMENT OF TRANSPORTATION
 HIGHWAYS DIVISION

**STANDARD DETAILS
 RAISED PAVEMENT MARKERS**

Not to Scale October 1971
 SHEET No. 6 OF 6 SHEETS DT 300

SURVEY PLOTTED BY: _____
 ORIGINAL PLAN: _____
 DRAWN BY: _____
 CHECKED BY: _____
 REVISIONS BY: _____
 QUANTITIES BY: _____
 DATE: _____