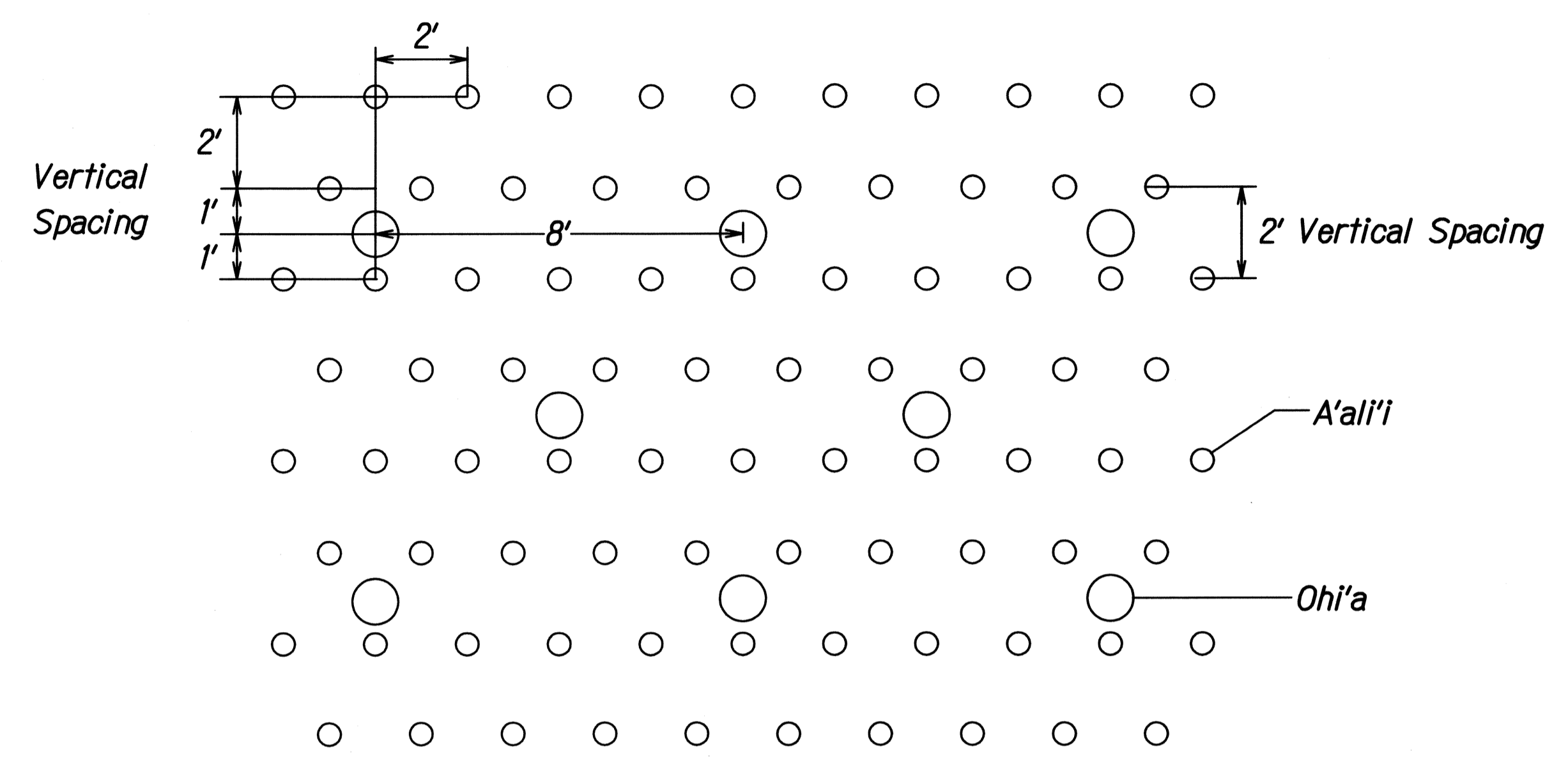
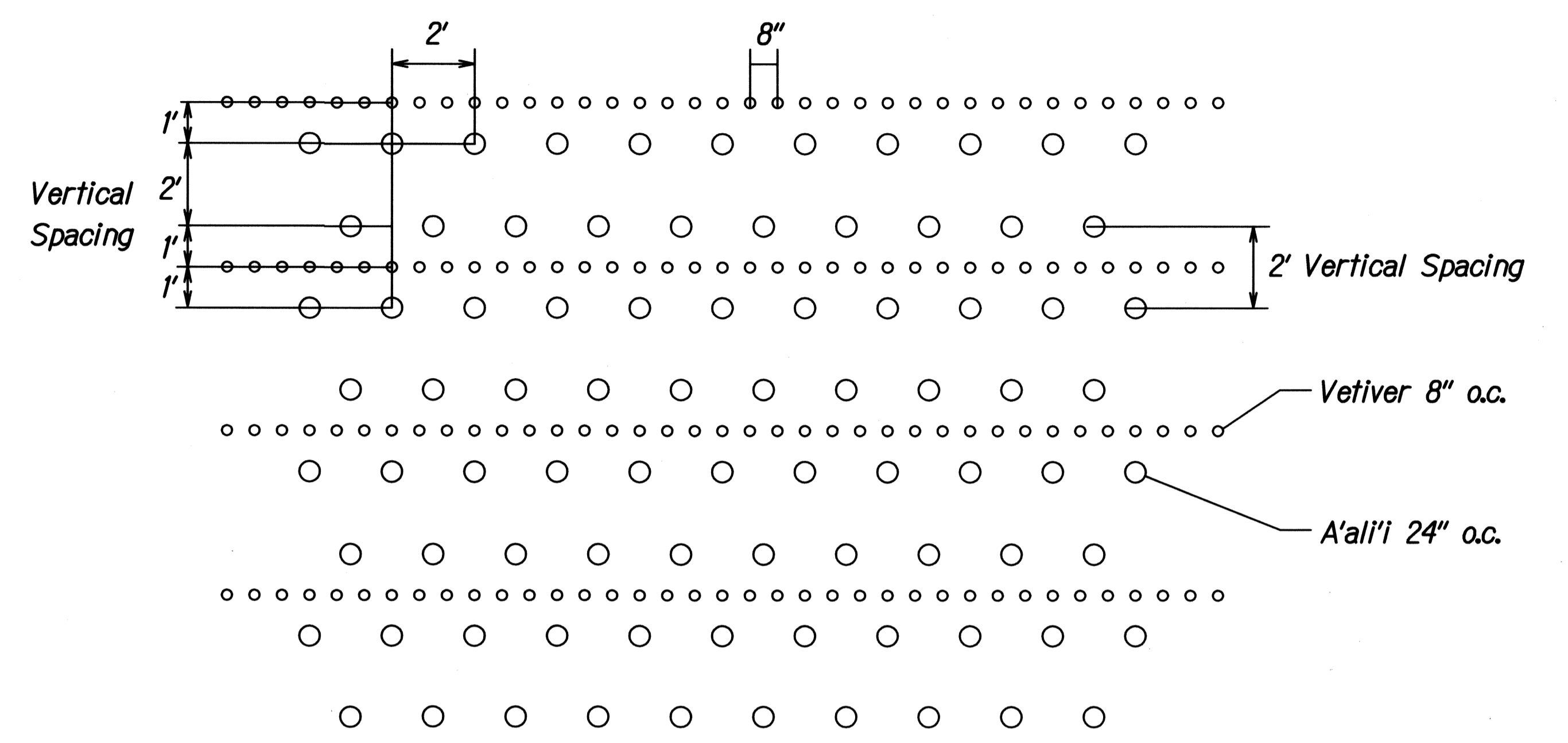


FED. ROAD DIST. NO.	STATE	PROJ. NO.	FISCAL YEAR	SHEET NO.	TOTAL SHEETS
HAWAII	HAW.	99C-01-11M	2011	7	11



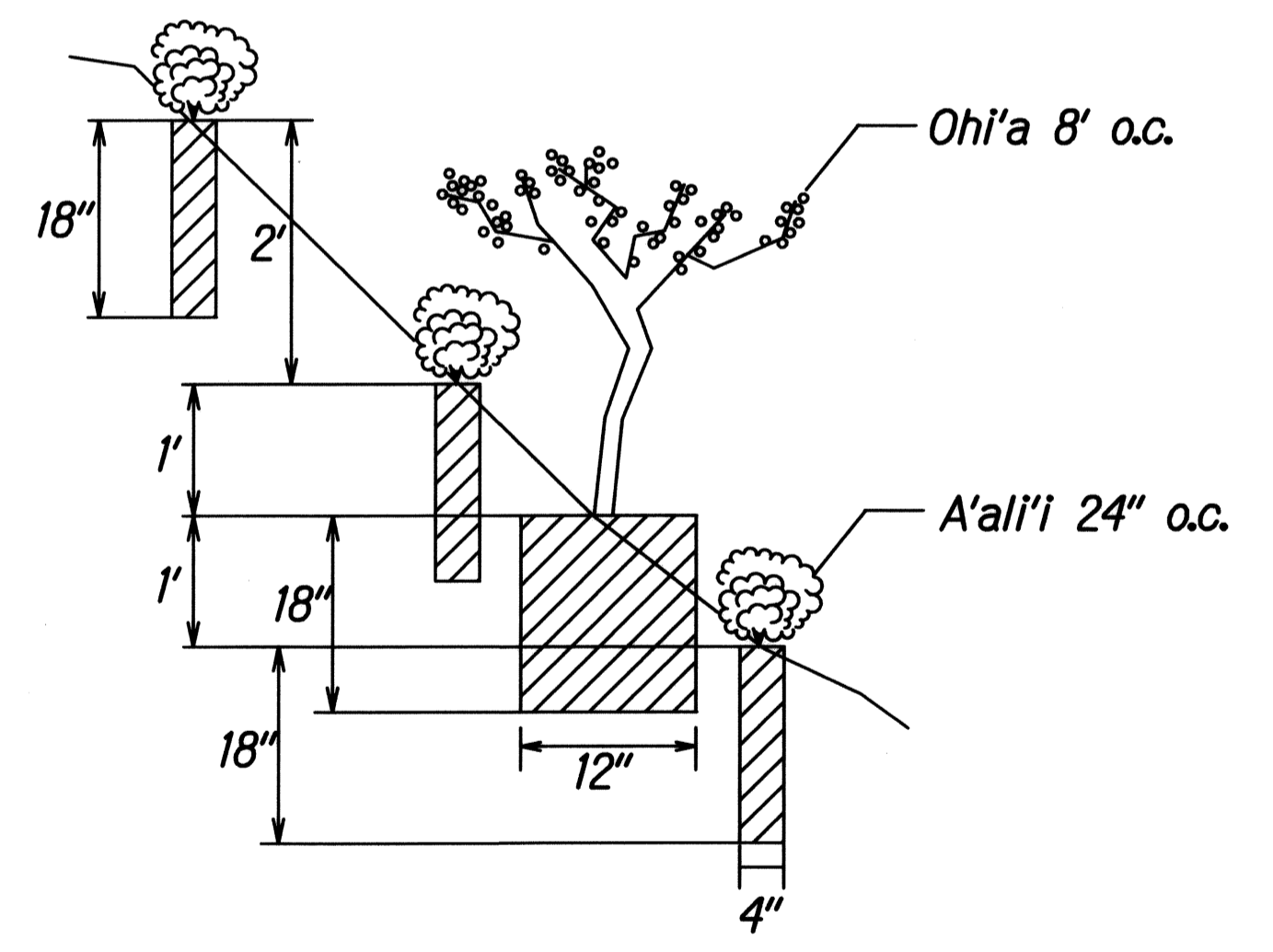
DETAIL 1

Scale: $\frac{3}{8}'' = 1'$



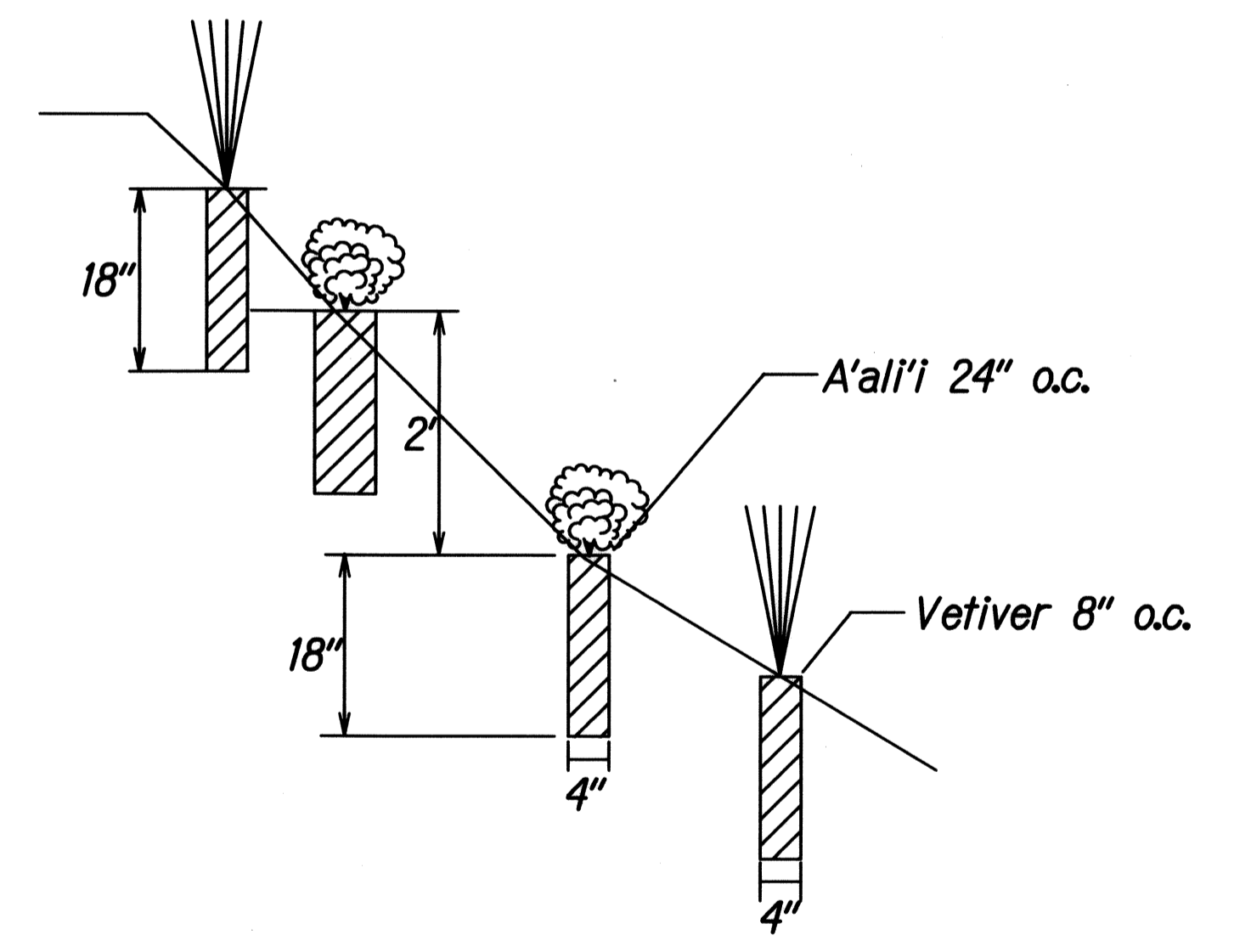
DETAIL 2

Scale: $\frac{3}{8}'' = 1'$



SECTION 1

Scale: $\frac{3}{4}'' = 1'$



SECTION 2

Scale: $\frac{3}{4}'' = 1'$

SURVEY PLOTTED BY	DATE
DESIGNED BY	
TRACED BY	
DESIGNED BY	
QUANTITIES BY	
CHECKED BY	
ORIGINAL PLAN	
NOTE BOOK	
DESIGNED BY	
QUANTITIES BY	
CHECKED BY	

STATE OF HAWAII
DEPARTMENT OF TRANSPORTATION
HIGHWAYS DIVISION

EROSION CONTROL DETAILS

KAMEHAMEHA HIGHWAY

Slope Maintenance for Erosion Control

Project No. 99C-01-11M

Scale: As Noted Date: May, 2011

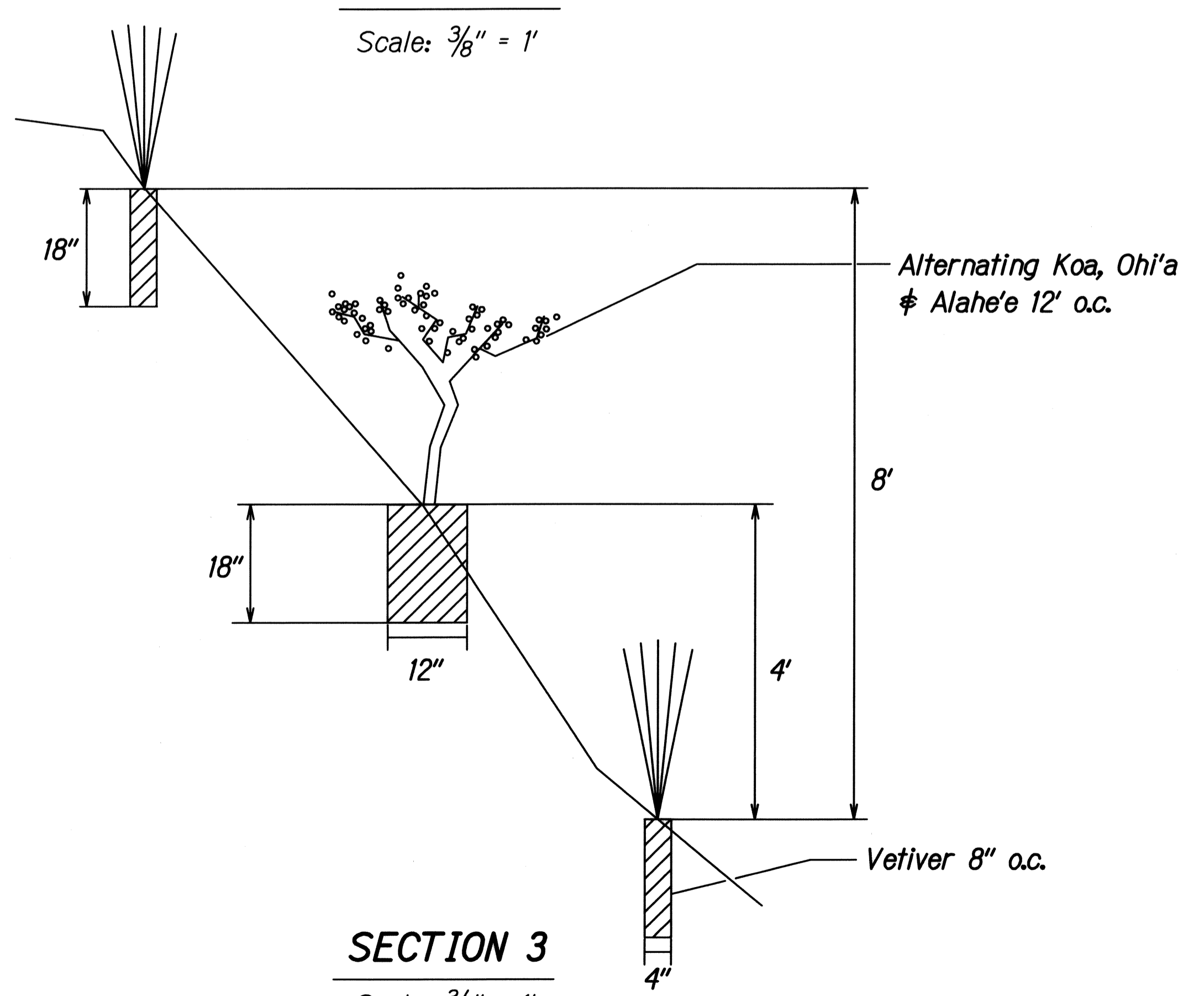
SHEET No. 1 OF 4 SHEETS

FED. ROAD DIST. NO.	STATE	PROJ. NO.	FISCAL YEAR	SHEET NO.	TOTAL SHEETS
HAWAII	HAW.	99C-01-11M	2011	8	11



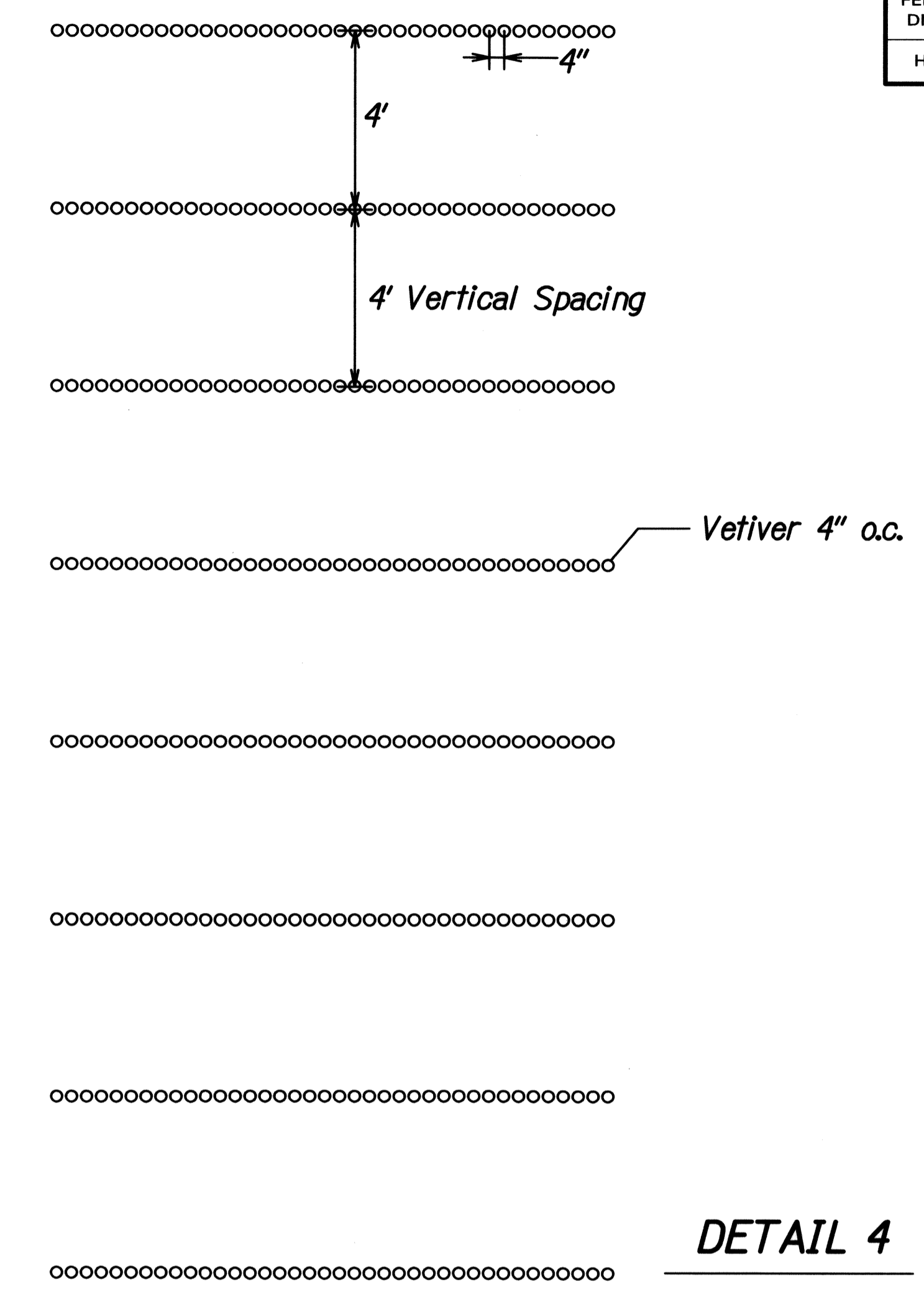
DETAIL 3

Scale: $\frac{3}{8}'' = 1'$



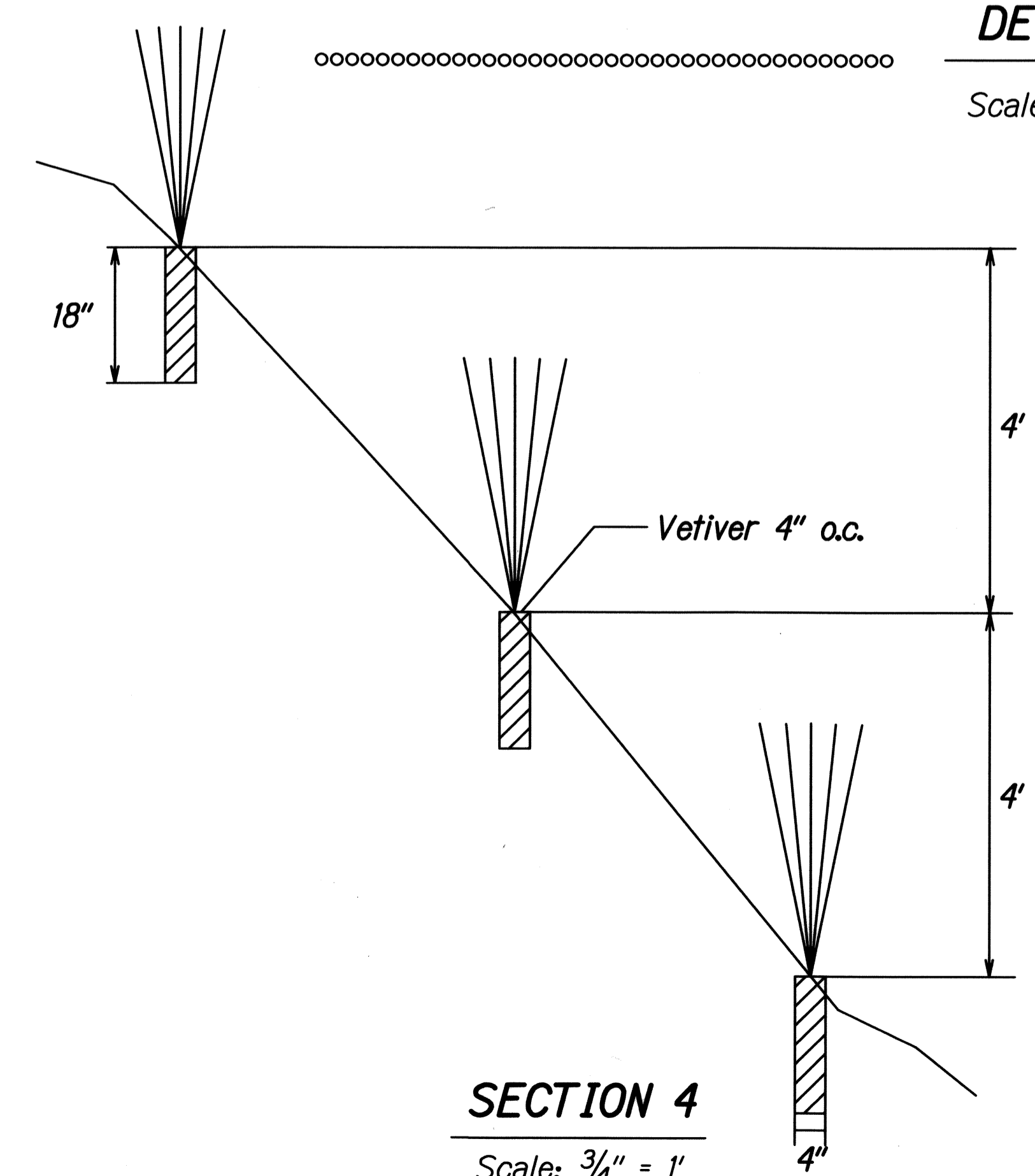
SECTION 3

Scale: $\frac{3}{4}'' = 1'$



DETAIL 4

Scale: $\frac{3}{4}'' = 1'$



SECTION 4

Scale: $\frac{3}{4}'' = 1'$

SURVEY PLOTTED BY	DATE
DESIGNED BY	
NOTED BY	
CHECKED BY	
ORIGINAL PLAN	
NOTE BOOK	
N.	

STATE OF HAWAII
DEPARTMENT OF TRANSPORTATION
HIGHWAYS DIVISION

EROSION CONTROL DETAILS

KAMEHAMEHA HIGHWAY

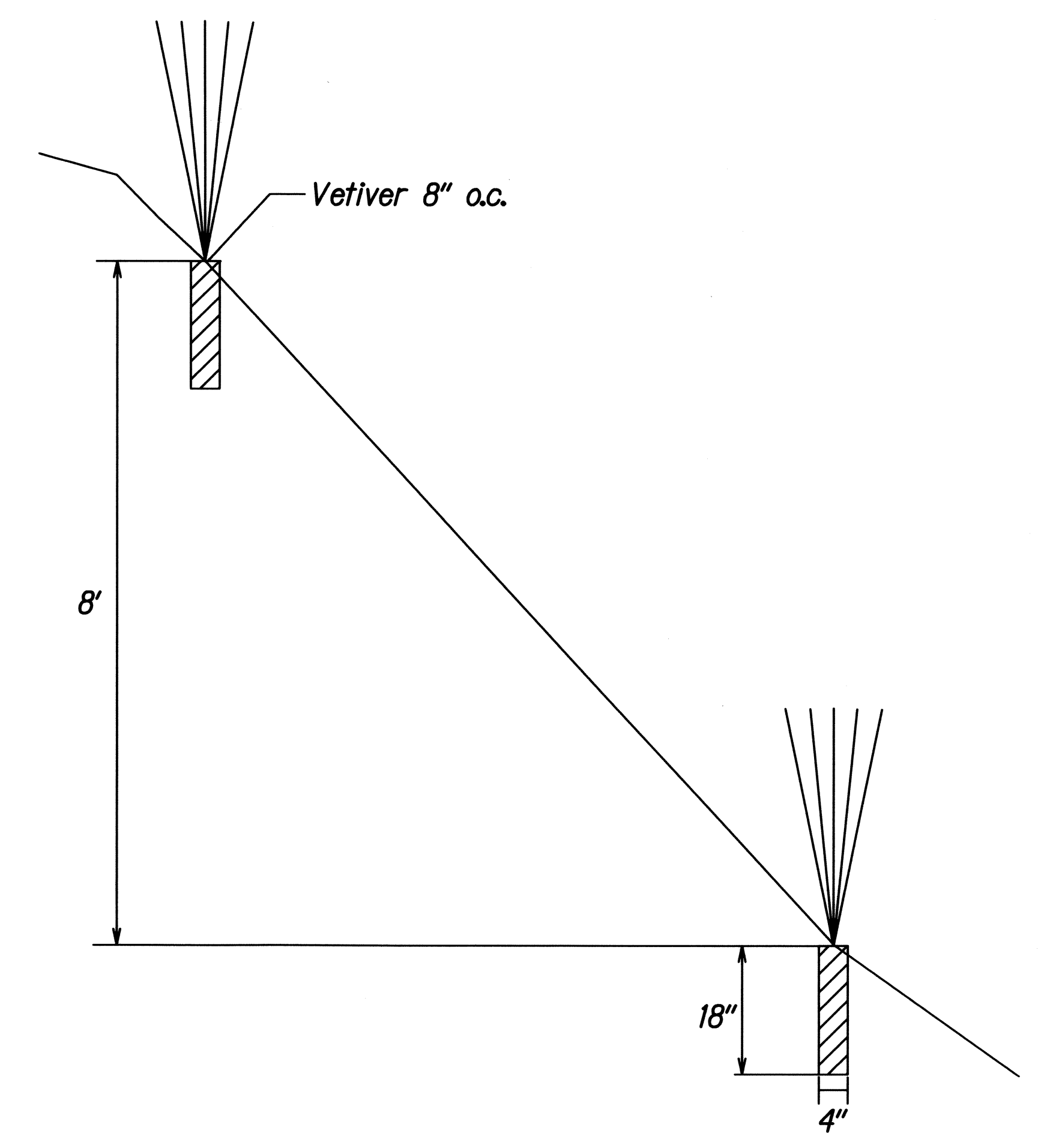
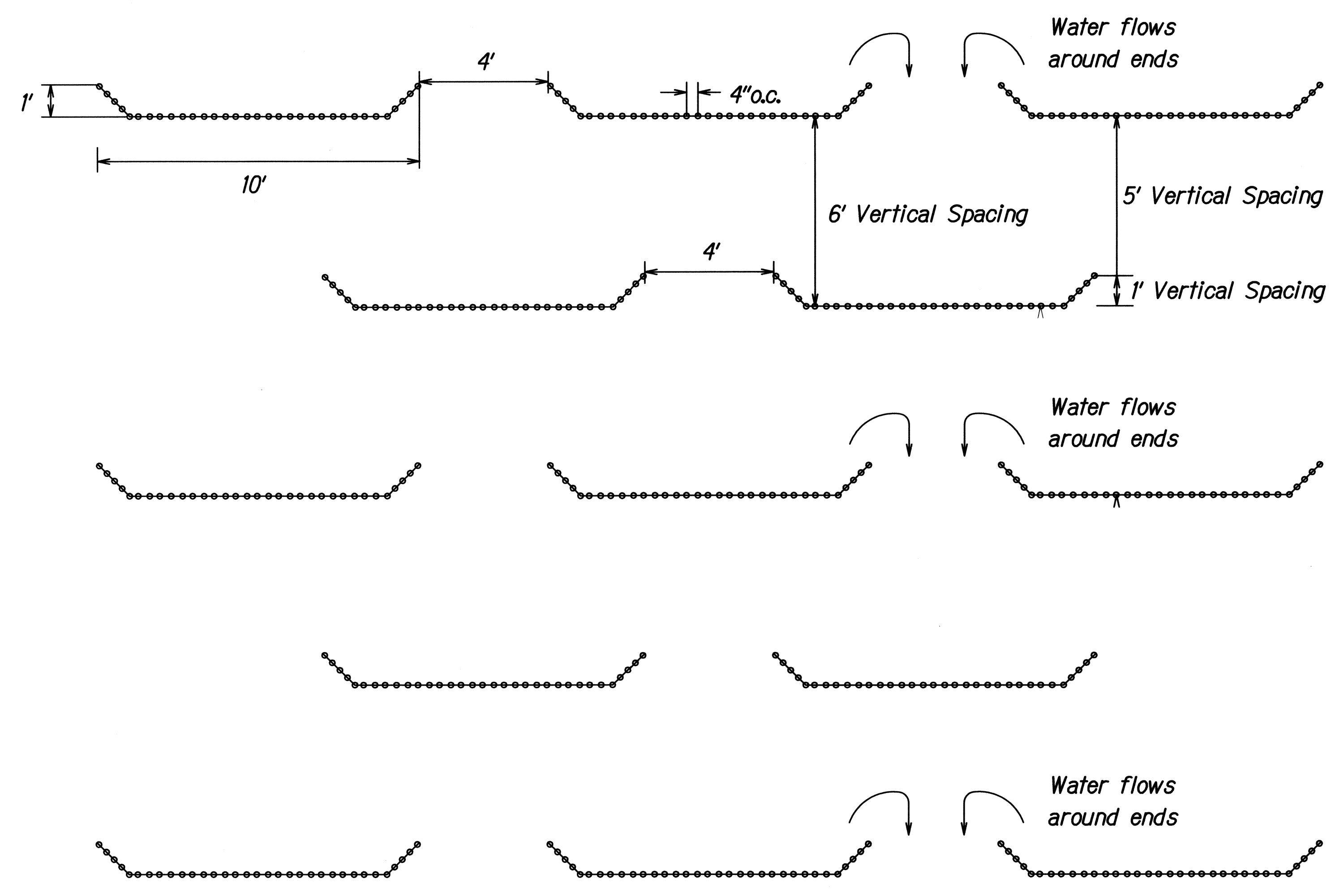
Slope Maintenance for Erosion Control

Project No. 99C-01-11M

Scale: As Noted Date: May, 2011

SHEET No. 2 OF 4 SHEETS

FED. ROAD DIST. NO.	STATE	PROJ. NO.	FISCAL YEAR	SHEET NO.	TOTAL SHEETS
HAWAII	HAW.	99C-01-11M	2011	9	11



SECTION 5
Scale: 3/4" = 1'

DETAIL 5
Scale: 3/4" = 1'

SURVEY PLOTTED BY	DATE
DESIGNED BY	
CHECKED BY	
ORIGINAL PLAN	
NOTE BOOK	
NO.	

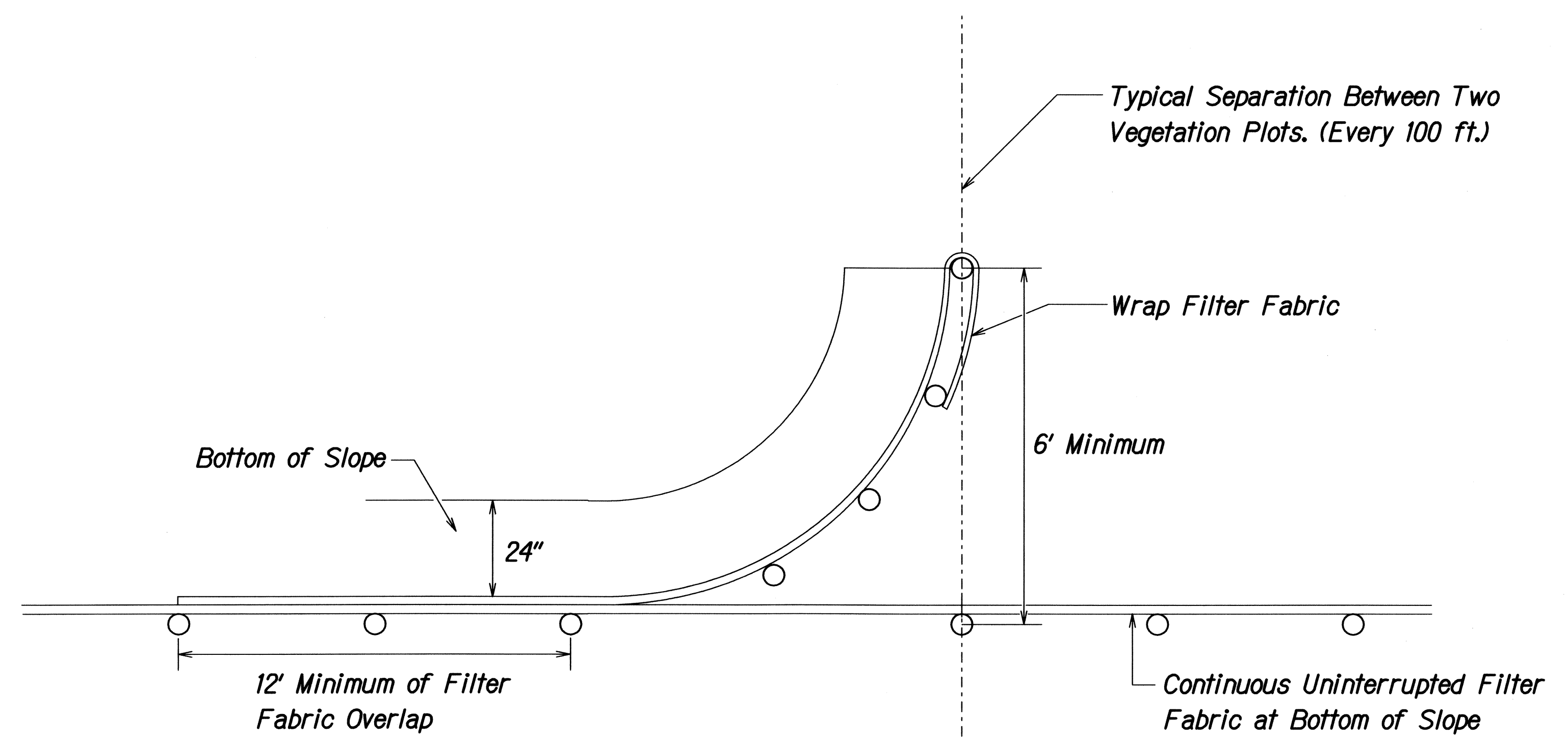
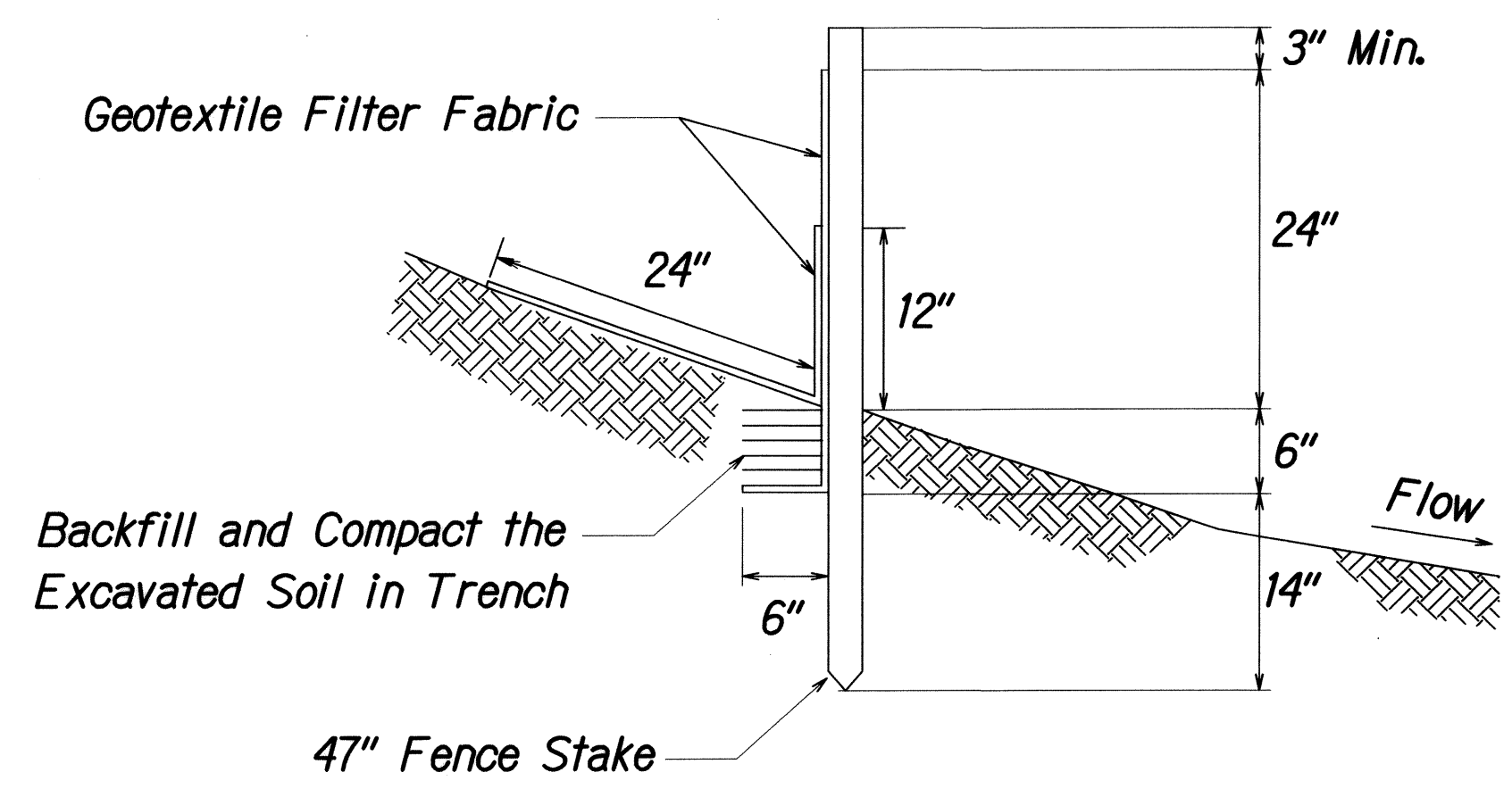
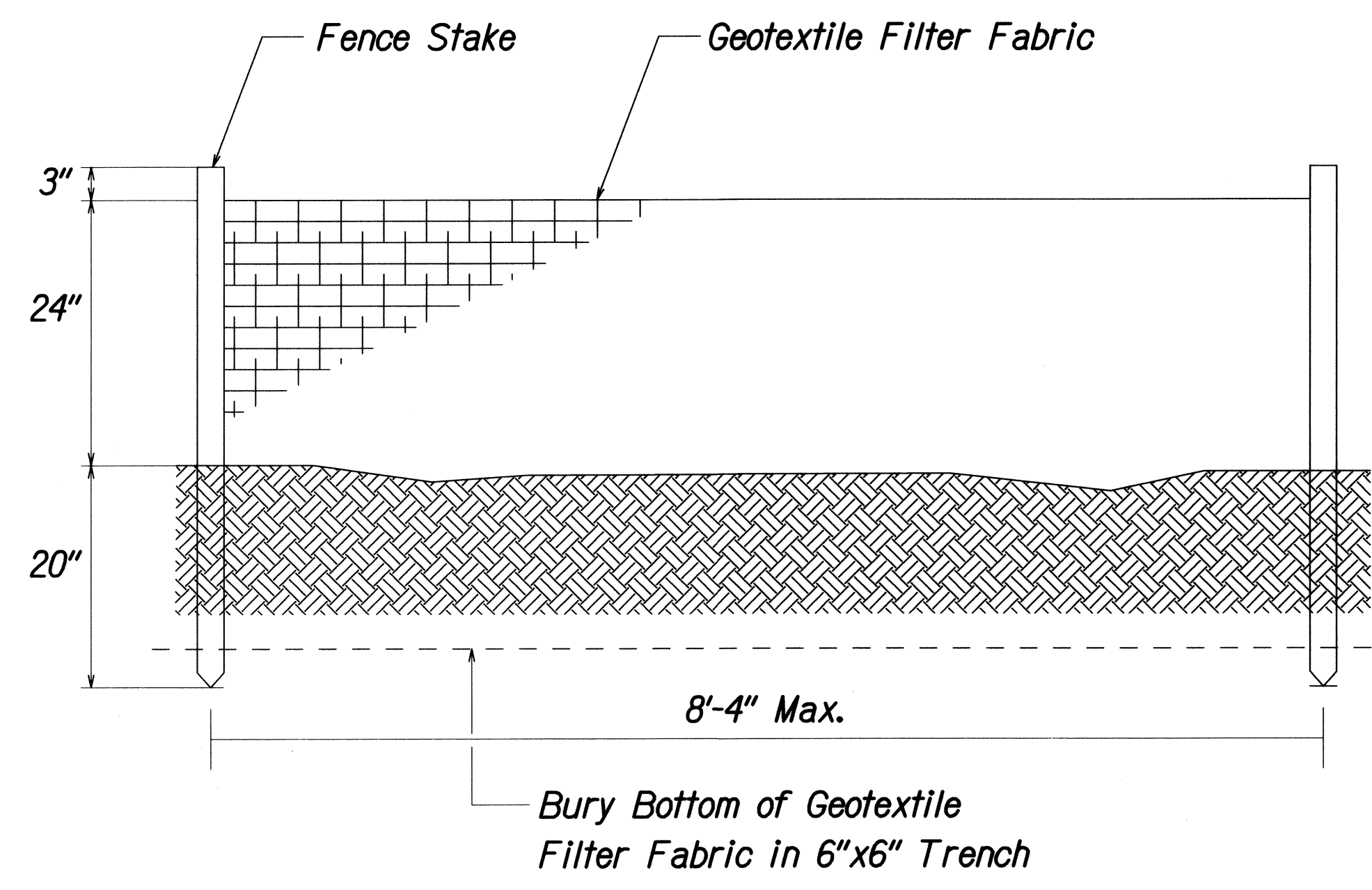
STATE OF HAWAII
DEPARTMENT OF TRANSPORTATION
HIGHWAYS DIVISION

EROSION CONTROL DETAILS
KAMEHAMEHA HIGHWAY
Slope Maintenance for Erosion Control
Project No. 99C-01-11M

Scale: As Noted Date: May, 2011

SHEET No. 3 OF 4 SHEETS

FED. ROAD DIST. NO.	STATE	PROJ. NO.	FISCAL YEAR	SHEET NO.	TOTAL SHEETS
HAWAII	HAW.	99C-01-11M	2011	10	11



TYPICAL PLOT SEPARATION SILT FENCE DETAIL
NTS

Notes:

1. The Filter Fabric shall be a Minimum of 36 Inches Wide.
2. If Silt Fence is Obtained From Manufacturer as a Package (i.e. Fabric Attached to Post) the Manufacturer's Installation Instruction Shall be Adhered to.
3. Fence Stakes May be Wood or Metal, Must be Capable of Supporting Anticipated Loads.
4. Silt Fence detail and silt fence shown on plans does not satisfy required construction BMPs. Contractor is responsible for construction BMPs per Hawaii Standard Specifications Special Provisions Section 209.

SILT FENCE DETAIL
NTS

SURVEY PLOTTED BY	DATE
DRAWN BY	
DESIGNED BY	
QUANTITIES BY	
CHECKED BY	
ORIGINAL PLAN	
NOTE BOOK	
N.	

STATE OF HAWAII
DEPARTMENT OF TRANSPORTATION
HIGHWAYS DIVISION

SILT FENCE DETAIL
KAMEHAMEHA HIGHWAY
Slope Maintenance for Erosion Control
Project No. 99C-01-11M

Scale: Not to Scale Date: May, 2011

SHEET No. 4 OF 4 SHEETS