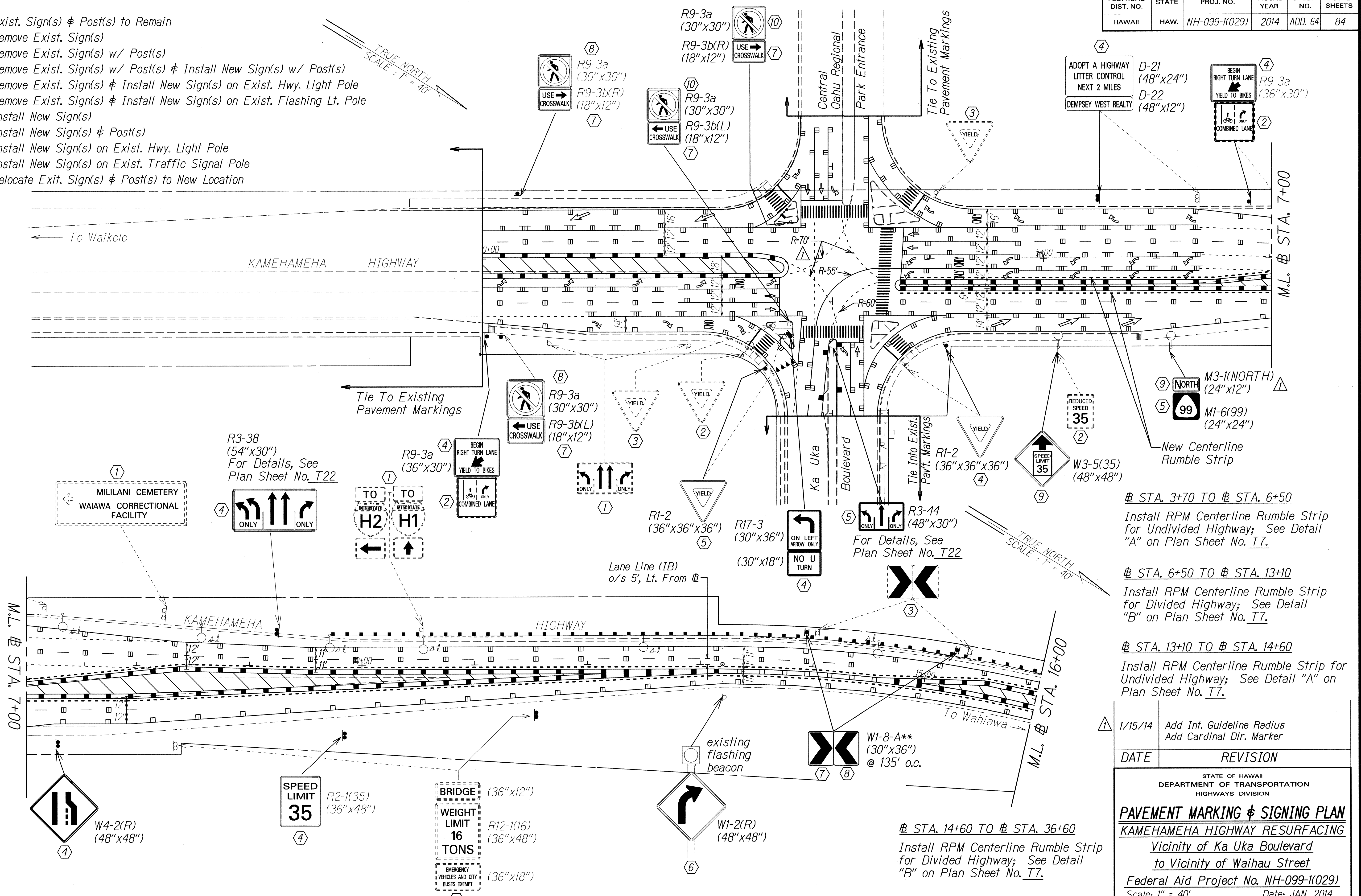


FED. ROAD DIST. NO.	STATE	FED. AID PROJ. NO.	FISCAL YEAR	SHEET NO.	TOTAL SHEETS
HAWAII	HAW.	NH-099-1(029)	2014	ADD. 64	84

KEY:

- ① Exist. Sign(s) & Post(s) to Remain
- ② Remove Exist. Sign(s)
- ③ Remove Exist. Sign(s) w/ Post(s)
- ④ Remove Exist. Sign(s) w/ Post(s) & Install New Sign(s) w/ Post(s)
- ⑤ Remove Exist. Sign(s) & Install New Sign(s) on Exist. Hwy. Light Pole
- ⑥ Remove Exist. Sign(s) & Install New Sign(s) on Exist. Flashing Lt. Pole
- ⑦ Install New Sign(s)
- ⑧ Install New Sign(s) & Post(s)
- ⑨ Install New Sign(s) on Exist. Hwy. Light Pole
- ⑩ Install New Sign(s) on Exist. Traffic Signal Pole
- ⑪ Relocate Exist. Sign(s) & Post(s) to New Location



SURVEY PLOTTED BY	DATE
DRAWN BY	
DESIGNED BY	
QUANTITIES BY	
CHECKED BY	
ORIGINAL PLAN	
NOTE BOOK	
DATE	
NO.	

STA. 3+70 TO # STA. 6+50
Install RPM Centerline Rumble Strip for Undivided Highway; See Detail "A" on Plan Sheet No. T7.

STA. 6+50 TO # STA. 13+10
Install RPM Centerline Rumble Strip for Divided Highway; See Detail "B" on Plan Sheet No. T7.

STA. 13+10 TO # STA. 14+60
Install RPM Centerline Rumble Strip for Undivided Highway; See Detail "A" on Plan Sheet No. T7.

1/15/14	Add Int. Guideline Radius Add Cardinal Dir. Marker
DATE	REVISION

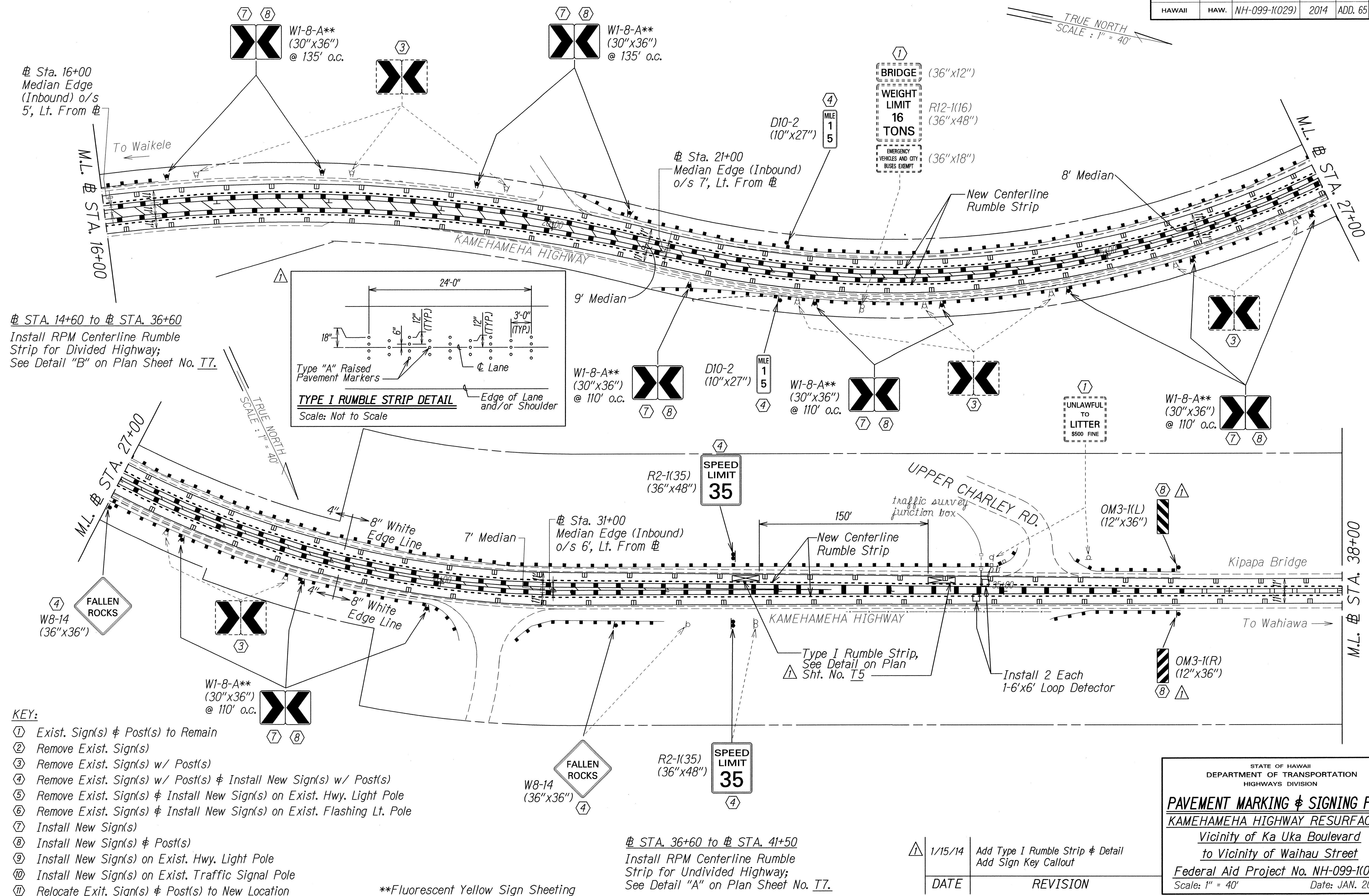
STATE OF HAWAII
DEPARTMENT OF TRANSPORTATION
HIGHWAYS DIVISION

PAVEMENT MARKING & SIGNING PLAN
KAMEHAMEHA HIGHWAY RESURFACING
Vicinity of Ka Uka Boulevard
to Vicinity of Waihau Street
Federal Aid Project No. NH-099-1(029)
Scale: 1" = 40' Date: JAN. 2014

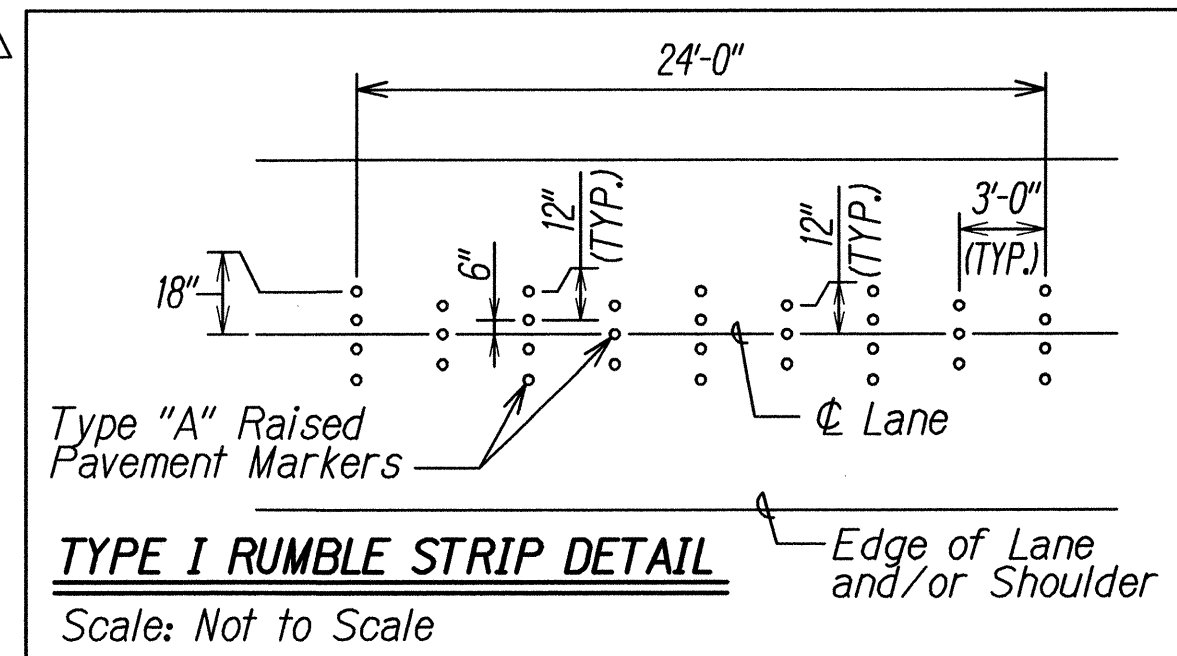
STA. 14+60 TO # STA. 36+60
Install RPM Centerline Rumble Strip for Divided Highway; See Detail "B" on Plan Sheet No. T7.

**Fluorescent Yellow Sign Sheeting

TRUE NORTH
SCALE: 1" = 40'



From STA. 14+60 to STA. 36+60
Install RPM Centerline Rumble Strip for Divided Highway;
See Detail "B" on Plan Sheet No. T7.



KEY:

- ① Exist. Sign(s) & Post(s) to Remain
- ② Remove Exist. Sign(s)
- ③ Remove Exist. Sign(s) w/ Post(s)
- ④ Remove Exist. Sign(s) w/ Post(s) & Install New Sign(s) w/ Post(s)
- ⑤ Remove Exist. Sign(s) & Install New Sign(s) on Exist. Hwy. Light Pole
- ⑥ Remove Exist. Sign(s) & Install New Sign(s) on Exist. Flashing Lt. Pole
- ⑦ Install New Sign(s)
- ⑧ Install New Sign(s) & Post(s)
- ⑨ Install New Sign(s) on Exist. Hwy. Light Pole
- ⑩ Install New Sign(s) on Exist. Traffic Signal Pole
- ⑪ Relocate Exit. Sign(s) & Post(s) to New Location

**Fluorescent Yellow Sign Sheeting

From STA. 36+60 to STA. 41+50
Install RPM Centerline Rumble Strip for Undivided Highway;
See Detail "A" on Plan Sheet No. T7.

DATE	REVISION
1/15/14	Add Type I Rumble Strip & Detail Add Sign Key Callout

STATE OF HAWAII
DEPARTMENT OF TRANSPORTATION
HIGHWAYS DIVISION

PAVEMENT MARKING & SIGNING PLAN
KAMEHAMEHA HIGHWAY RESURFACING
Vicinity of Ka Uka Boulevard
to Vicinity of Waihau Street
Federal Aid Project No. NH-099-1(029)
Scale: 1" = 40' Date: JAN. 2014

SHEET No. 75 OF 24 SHEETS

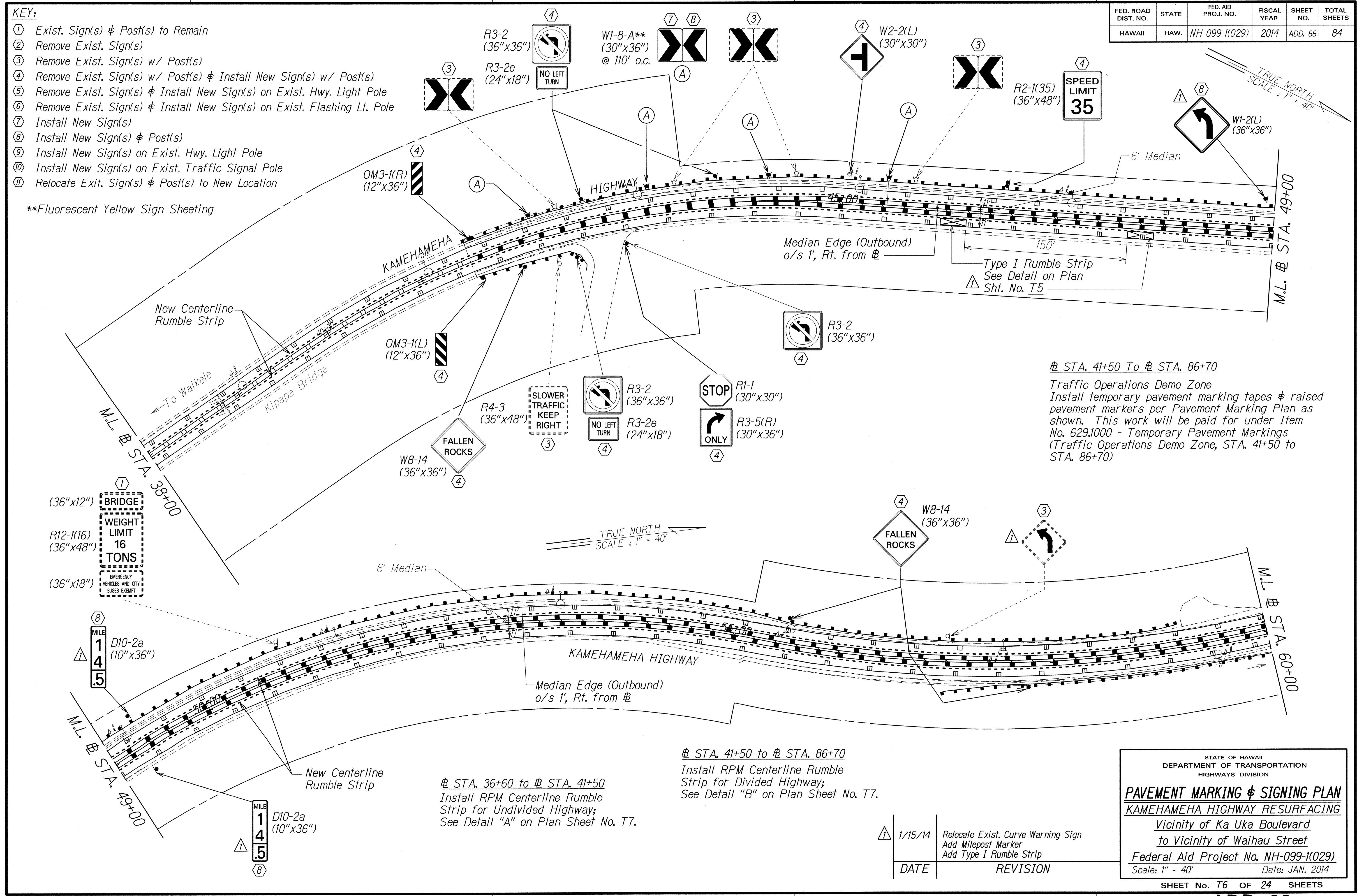
DATE	
DESIGNED BY	
TRACED BY	
NOTED BY	
QUANTITIES BY	
CHECKED BY	

FED. ROAD DIST. NO.	STATE	FED. AID PROJ. NO.	FISCAL YEAR	SHEET NO.	TOTAL SHEETS
HAWAII	HAW.	NH-099-1(029)	2014	ADD. 66	84

KEY:

- ① Exist. Sign(s) & Post(s) to Remain
- ② Remove Exist. Sign(s)
- ③ Remove Exist. Sign(s) w/ Post(s)
- ④ Remove Exist. Sign(s) w/ Post(s) & Install New Sign(s) w/ Post(s)
- ⑤ Remove Exist. Sign(s) & Install New Sign(s) on Exist. Hwy. Light Pole
- ⑥ Remove Exist. Sign(s) & Install New Sign(s) on Exist. Flashing Lt. Pole
- ⑦ Install New Sign(s)
- ⑧ Install New Sign(s) & Post(s)
- ⑨ Install New Sign(s) on Exist. Hwy. Light Pole
- ⑩ Install New Sign(s) on Exist. Traffic Signal Pole
- ⑪ Relocate Exist. Sign(s) & Post(s) to New Location

**Fluorescent Yellow Sign Sheeting



⊕ STA. 41+50 To ⊕ STA. 86+70
 Traffic Operations Demo Zone
 Install temporary pavement marking tapes & raised pavement markers per Pavement Marking Plan as shown. This work will be paid for under Item No. 629.1000 - Temporary Pavement Markings (Traffic Operations Demo Zone, STA. 41+50 to STA. 86+70)

⊕ STA. 36+60 to ⊕ STA. 41+50
 Install RPM Centerline Rumble Strip for Undivided Highway;
 See Detail "A" on Plan Sheet No. T7.

⊕ STA. 41+50 to ⊕ STA. 86+70
 Install RPM Centerline Rumble Strip for Divided Highway;
 See Detail "B" on Plan Sheet No. T7.

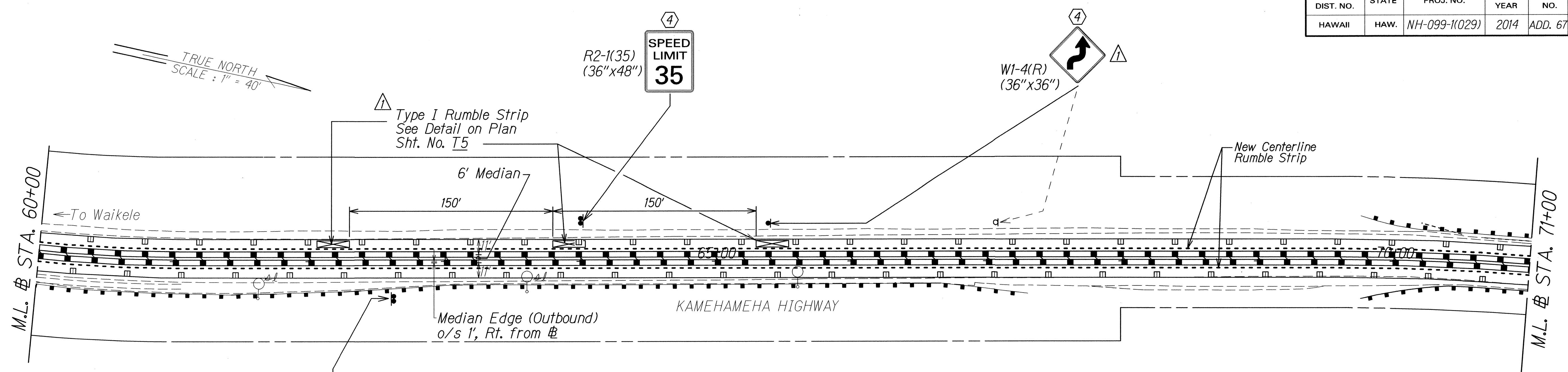
DATE	
DESIGNED BY	
TRACED BY	
DESIGNED BY	
QUANTITIES BY	
CHECKED BY	

DATE	REVISION
1/15/14	Relocate Exist. Curve Warning Sign Add Milepost Marker Add Type I Rumble Strip

STATE OF HAWAII
 DEPARTMENT OF TRANSPORTATION
 HIGHWAYS DIVISION

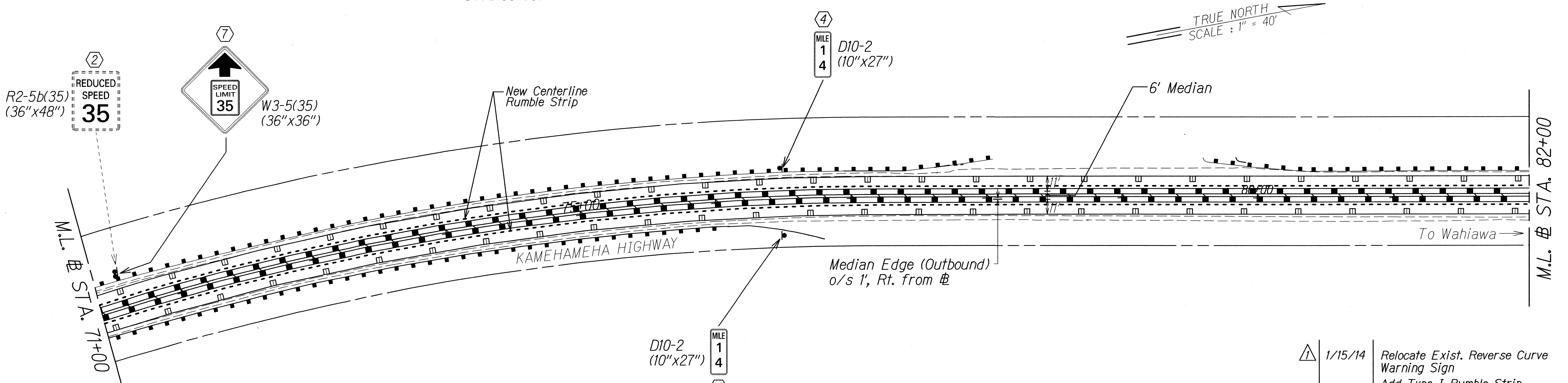
PAVEMENT MARKING & SIGNING PLAN
 KAMEHAMEHA HIGHWAY RESURFACING
 Vicinity of Ka Uka Boulevard
 to Vicinity of Waihau Street
 Federal Aid Project No. NH-099-1(029)
 Scale: 1" = 40' Date: JAN. 2014

SHEET No. T6 OF 24 SHEETS

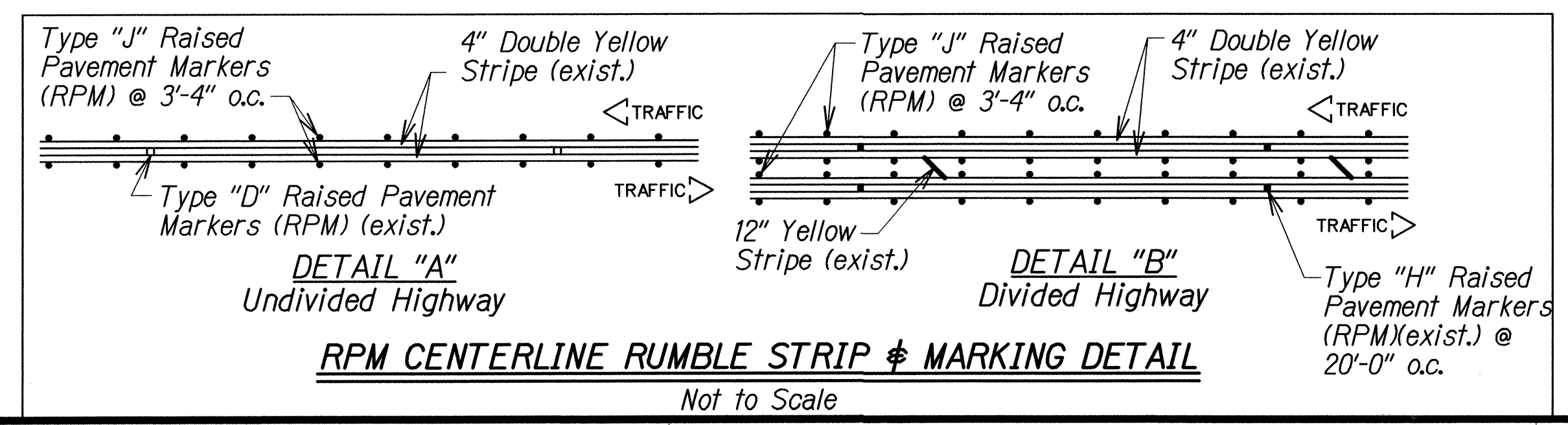


Ⓞ STA. 41+50 To Ⓞ STA. 86+70
 Traffic Operations Demo Zone
 Install temporary pavement marking tapes & raised pavement markers per Pavement Marking Plan as shown. This work will be paid for under Item No. 629.1000 - Temporary Pavement Markings (Traffic Operations Demo Zone, STA. 41+50 to STA. 86+70)

Ⓞ STA. 41+50 to Ⓞ STA. 86+70
 Install RPM Centerline Rumble Strip for Divided Highway; See Detail "B" on Plan Sheet No. T7.



- KEY:**
- ① Exist. Sign(s) & Post(s) to Remain
 - ② Remove Exist. Sign(s)
 - ③ Remove Exist. Sign(s) w/ Post(s)
 - ④ Remove Exist. Sign(s) w/ Post(s) & Install New Sign(s) w/ Post(s)
 - ⑤ Remove Exist. Sign(s) & Install New Sign(s) on Exist. Hwy. Light Pole
 - ⑥ Remove Exist. Sign(s) & Install New Sign(s) on Exist. Flashing Lt. Pole
 - ⑦ Install New Sign(s)
 - ⑧ Install New Sign(s) & Post(s)
 - ⑨ Install New Sign(s) on Exist. Hwy. Light Pole
 - ⑩ Install New Sign(s) on Exist. Traffic Signal Pole
 - ⑪ Relocate Exit. Sign(s) & Post(s) to New Location



1/15/14	Relocate Exist. Reverse Curve Warning Sign Add Type I Rumble Strip
DATE	REVISION
STATE OF HAWAII DEPARTMENT OF TRANSPORTATION HIGHWAYS DIVISION	
PAVEMENT MARKING & SIGNING PLAN	
KAMEHAMEHA HIGHWAY RESURFACING	
Vicinity of Ka Uka Boulevard to Vicinity of Waihau Street	
Federal Aid Project No. NH-099-1(029)	
Scale: 1" = 40' Date: JAN. 2014	
SHEET No. T7 OF 24 SHEETS	

SURVEY PLOTTED BY	DATE
DESIGNED BY	
TRACED BY	
NOTE BOOK	
DESIGNED BY	
QUANTITIES BY	
CHECKED BY	
ORIGINAL PLAN	
DATE	

FED. ROAD DIST. NO.	STATE	FED. AID PROJ. NO.	FISCAL YEAR	SHEET NO.	TOTAL SHEETS
HAWAII	HAW.	NH-099-1(029)	2014	ADD. 68	84

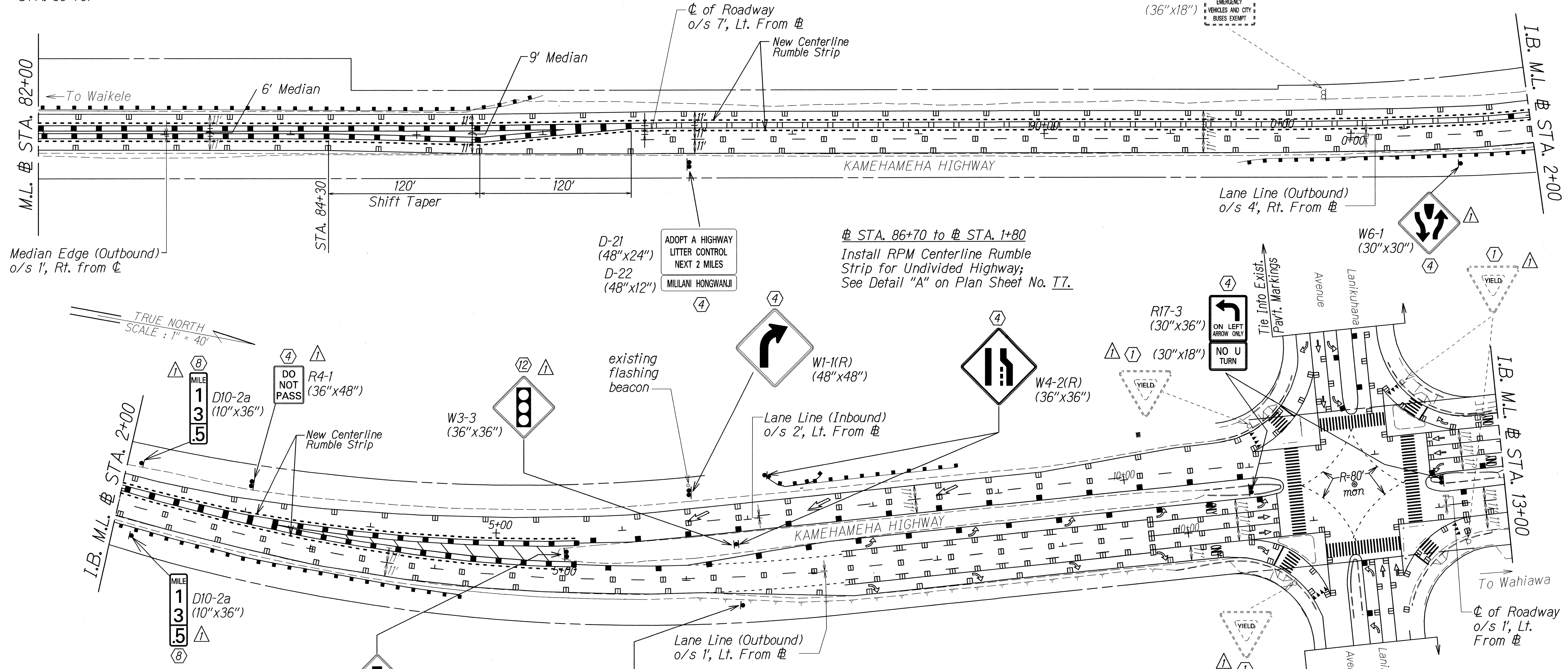
⊕ STA. 41+50 To ⊕ STA. 86+70

Traffic Operations Demo Zone
Install temporary pavement marking tapes & raised pavement markers per Pavement Marking Plan as shown. This work will be paid for under Item No. 629.1000 - Temporary Pavement Markings (Traffic Operations Demo Zone, STA. 41+50 to STA. 86+70)

⊕ STA. 41+50 to ⊕ STA. 86+70
Install RPM Centerline Rumble Strip for Divided Highway;
See Detail "B" on Plan Sheet No. T7.

⊕ STA. 86+70 to ⊕ STA. 1+80
Install RPM Centerline Rumble Strip for Undivided Highway;
See Detail "A" on Plan Sheet No. T7.

⊕ STA. 1+80 to ⊕ STA. 5+60
Install RPM Centerline Rumble Strip for Divided Highway;
See Detail "B" on Plan Sheet No. T7.



- KEY:**
- ① Exist. Sign(s) & Post(s) to Remain
 - ② Remove Exist. Sign(s)
 - ③ Remove Exist. Sign(s) w/ Post(s)
 - ④ Remove Exist. Sign(s) w/ Post(s) & Install New Sign(s) w/ Post(s)
 - ⑤ Remove Exist. Sign(s) & Install New Sign(s) on Exist. Hwy. Light Pole
 - ⑥ Remove Exist. Sign(s) & Install New Sign(s) on Exist. Flashing Lt. Pole
 - ⑦ Install New Sign(s)
 - ⑧ Install New Sign(s) & Post(s)
 - ⑨ Install New Sign(s) on Exist. Hwy. Light Pole
 - ⑩ Install New Sign(s) on Exist. Traffic Signal Pole
 - ⑪ Relocate Exit. Sign(s) & Post(s) to New Location
 - ⑫ Remove Exist. Sign(s) & Install New Sign(s)

(36"x12")
BRIDGE
WEIGHT LIMIT
16 TONS
(36"x48")
EMERGENCY VEHICLES AND CITY BUSES EXEMPT
(36"x18")

TRUE NORTH
SCALE: 1" = 40'

TRUE NORTH
SCALE: 1" = 40'

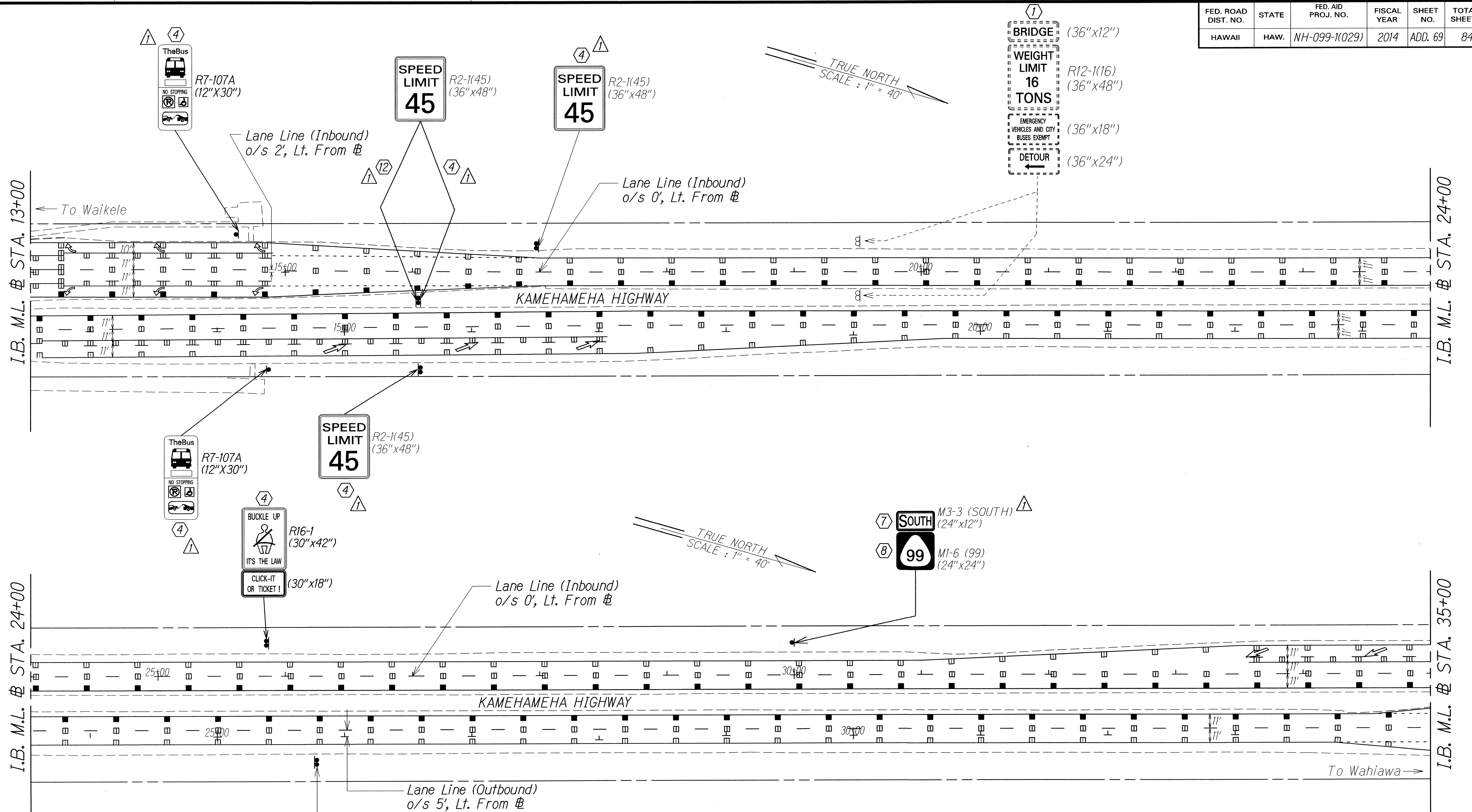
SURVEY PLOTTED BY	DATE
DESIGNED BY	
DESIGNED BY	
QUANTITIES BY	
CHECKED BY	
ORIGINAL PLAN	
NOTE BOOK	
DATE	
NO.	

DATE	REVISION
1/15/14	Relocate Exist. Signs Add/Revise Sign Key Callout Add Milepost Marker

STATE OF HAWAII
DEPARTMENT OF TRANSPORTATION
HIGHWAYS DIVISION

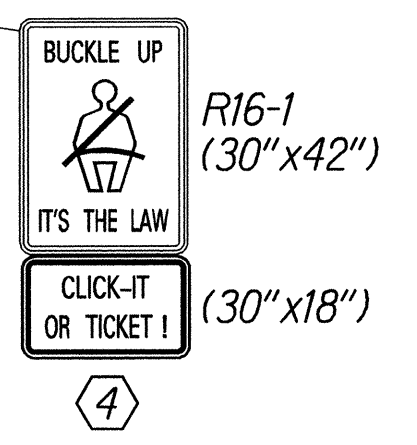
PAVEMENT MARKING & SIGNING PLAN
KAMEHAMEHA HIGHWAY RESURFACING
Vicinity of Ka Uka Boulevard
to Vicinity of Waihau Street
Federal Aid Project No. NH-099-1(029)
Scale: 1" = 40' Date: JAN. 2014

FED. ROAD DIST. NO.	STATE	FED. AID PROJ. NO.	FISCAL YEAR	SHEET NO.	TOTAL SHEETS
HAWAII	HAW.	NH-099-1(029)	2014	ADD. 69	84



KEY:

- ① Exist. Sign(s) & Post(s) to Remain
- ② Remove Exist. Sign(s)
- ③ Remove Exist. Sign(s) w/ Post(s)
- ④ Remove Exist. Sign(s) w/ Post(s) & Install New Sign(s) w/ Post(s)
- ⑤ Remove Exist. Sign(s) & Install New Sign(s) on Exist. Hwy. Light Pole
- ⑥ Remove Exist. Sign(s) & Install New Sign(s) on Exist. Flashing Lt. Pole
- ⑦ Install New Sign(s)
- ⑧ Install New Sign(s) & Post(s)
- ⑨ Install New Sign(s) on Exist. Hwy. Light Pole
- ⑩ Install New Sign(s) on Exist. Traffic Signal Pole
- ⑪ Relocate Exist. Sign(s) & Post(s) to New Location
- ⑫ Remove Exist. Sign(s) & Install New Sign(s)

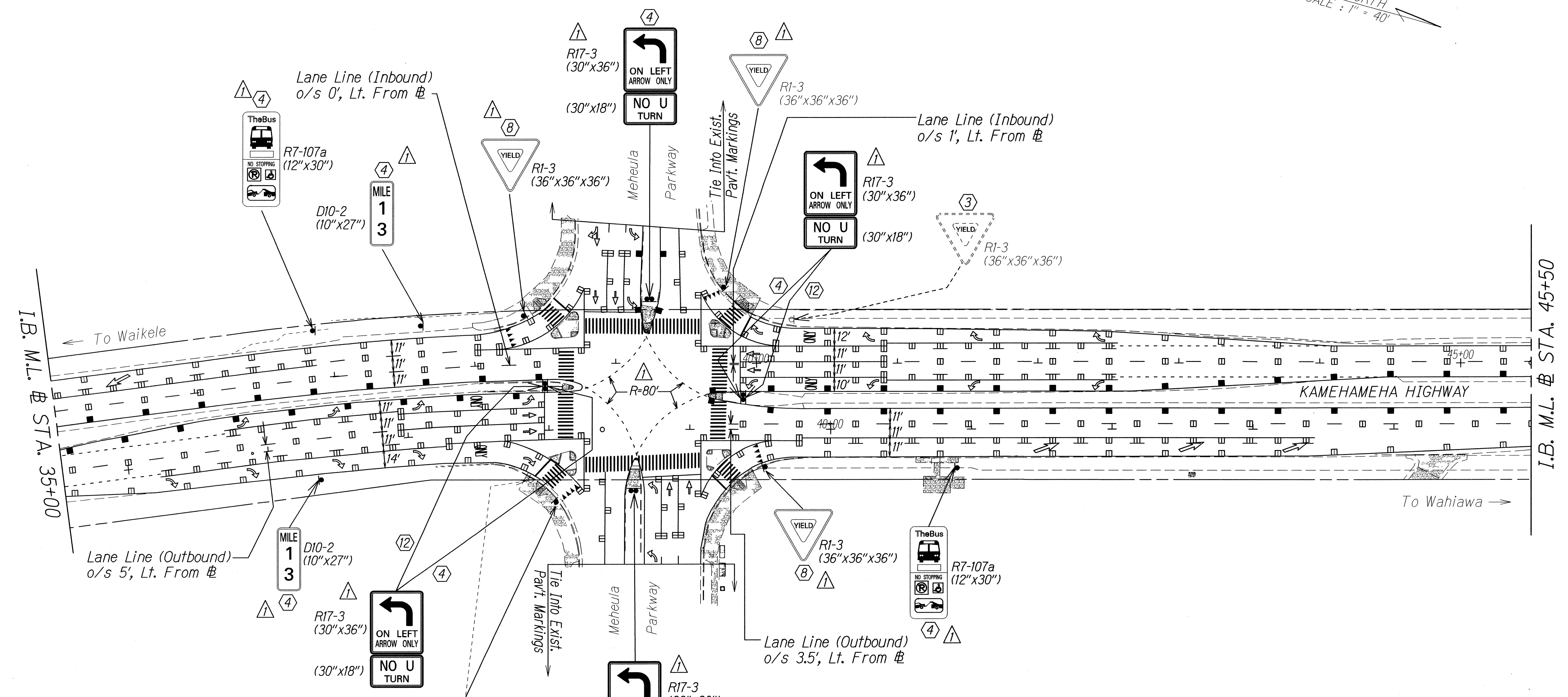
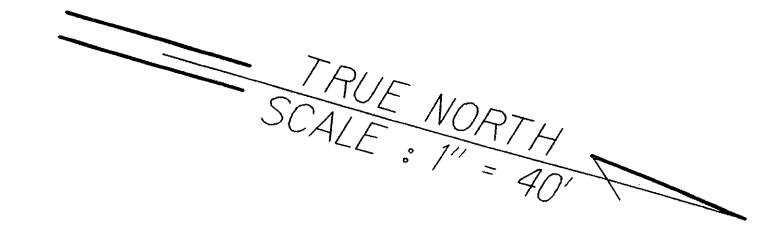


SURVEY PLOTTED BY	DATE
DRAWN BY	
DESIGNED BY	
NOTED BY	
QUANTITIES BY	
CHECKED BY	
ORIGINAL PLAN	
NOTE BOOK	
DATE	
NO.	

△	1/15/14	Add State Route Marker & Cardinal Dir. Marker Revise Sign Key Callout
DATE		REVISION

STATE OF HAWAII
DEPARTMENT OF TRANSPORTATION
HIGHWAYS DIVISION

PAVEMENT MARKING & SIGNING PLAN
KAMEHAMEHA HIGHWAY RESURFACING
Vicinity of Ka Uka Boulevard
to Vicinity of Waihau Street
Federal Aid Project No. NH-099-1(029)
Scale: 1" = 40' Date: JAN. 2014



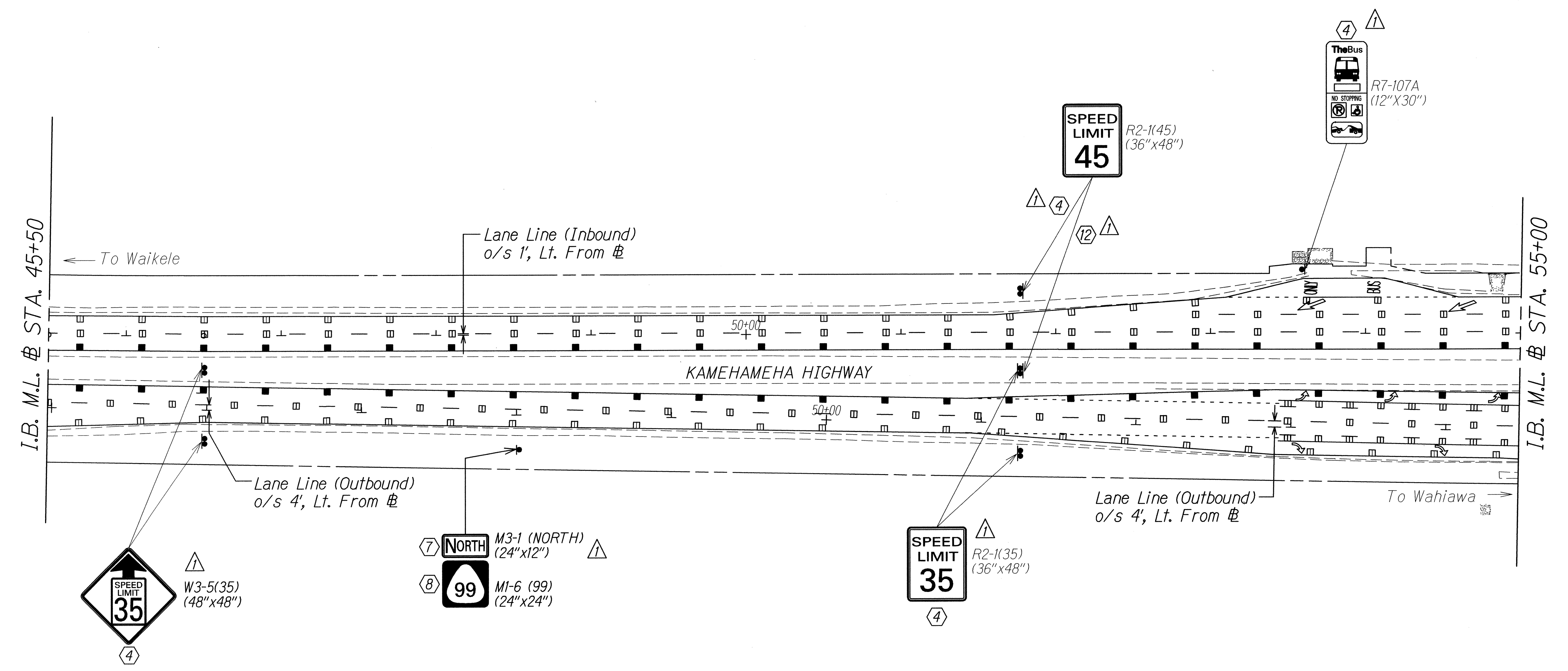
KEY:

- ① Exist. Sign(s) & Post(s) to Remain
- ② Remove Exist. Sign(s)
- ③ Remove Exist. Sign(s) w/ Post(s)
- ④ Remove Exist. Sign(s) w/ Post(s) & Install New Sign(s) w/ Post(s)
- ⑤ Remove Exist. Sign(s) & Install New Sign(s) on Exist. Hwy. Light Pole
- ⑥ Remove Exist. Sign(s) & Install New Sign(s) on Exist. Flashing Lt. Pole
- ⑦ Install New Sign(s)
- ⑧ Install New Sign(s) & Post(s)
- ⑨ Install New Sign(s) on Exist. Hwy. Light Pole
- ⑩ Install New Sign(s) on Exist. Traffic Signal Pole
- ⑪ Relocate Exist. Sign(s) & Post(s) to New Location
- ⑫ Remove Exist. Sign(s) & Install New Sign(s)

⑬	1/15/14	Add Int. Guideline Radius Revise Sign Layout Revise Sign Key Callout
DATE	REVISION	
STATE OF HAWAII DEPARTMENT OF TRANSPORTATION HIGHWAYS DIVISION		
PAVEMENT MARKING & SIGNING PLAN KAMEHAMEHA HIGHWAY RESURFACING Vicinity of Ka Uka Boulevard to Vicinity of Waihou Street Federal Aid Project No. NH-099-1(029) Scale: 1" = 40' Date: JAN. 2014		
SHEET No. 710 OF 24 SHEETS		

ORIGINAL PLAN	DATE
SURVEY PLOTTED BY	
DESIGNED BY	
TRACED BY	
NOTE BOOK	
QUANTITIES BY	
CHECKED BY	

TRUE NORTH
SCALE: 1" = 40'



SURVEY PLOTTED BY	DATE
DESIGNED BY	
TRACED BY	
NOTE BOOK	
DESIGNED BY	
QUANTITIES BY	
CHECKED BY	

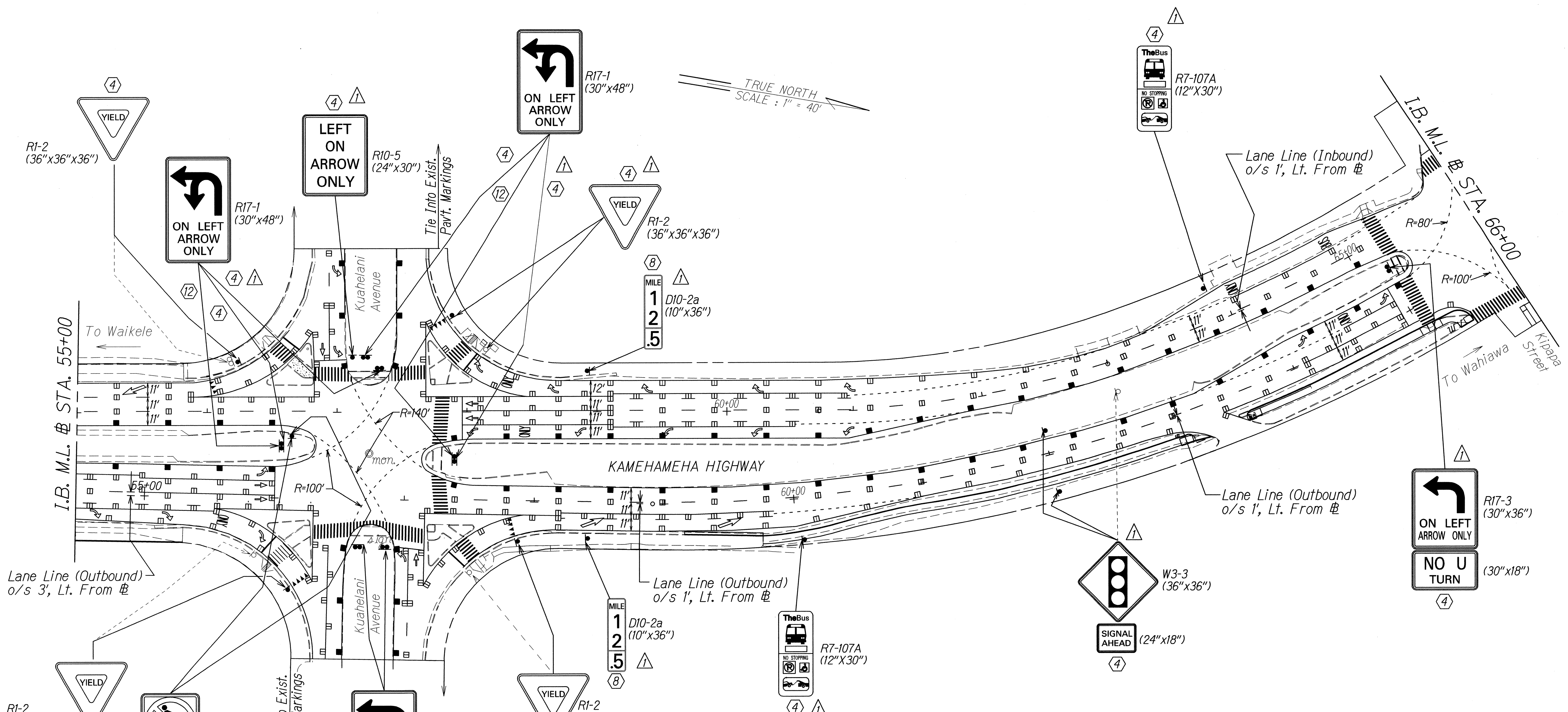
KEY:

- ① Exist. Sign(s) & Post(s) to Remain
- ② Remove Exist. Sign(s)
- ③ Remove Exist. Sign(s) w/ Post(s)
- ④ Remove Exist. Sign(s) w/ Post(s) & Install New Sign(s) w/ Post(s)
- ⑤ Remove Exist. Sign(s) & Install New Sign(s) on Exist. Hwy. Light Pole
- ⑥ Remove Exist. Sign(s) & Install New Sign(s) on Exist. Flashing Lt. Pole
- ⑦ Install New Sign(s)
- ⑧ Install New Sign(s) & Post(s)
- ⑨ Install New Sign(s) on Exist. Hwy. Light Pole
- ⑩ Install New Sign(s) on Exist. Traffic Signal Pole
- ⑪ Relocate Exist. Sign(s) & Post(s) to New Location
- ⑫ Remove Exist. Sign(s) & Install New Sign(s)

1/15/14	Add/Revise Signs Add State Route Marker & Cardinal Dir. Marker Add/Revise Sign Key Callout
DATE	REVISION

STATE OF HAWAII
DEPARTMENT OF TRANSPORTATION
HIGHWAYS DIVISION

PAVEMENT MARKING & SIGNING PLAN
KAMEHAMEHA HIGHWAY RESURFACING
Vicinity of Ka Uka Boulevard
to Vicinity of Waihau Street
Federal Aid Project No. NH-099-1(029)
Scale: 1" = 40' Date: JAN. 2014



DATE	
SURVEY PLOTTED BY	
DESIGNED BY	
TRACED BY	
NOTE BOOK	
DESIGNED BY	
QUANTITIES BY	
CHECKED BY	

- KEY:**
- ① Exist. Sign(s) & Post(s) to Remain
 - ② Remove Exist. Sign(s)
 - ③ Remove Exist. Sign(s) w/ Post(s)
 - ④ Remove Exist. Sign(s) w/ Post(s) & Install New Sign(s) w/ Post(s)
 - ⑤ Remove Exist. Sign(s) & Install New Sign(s) on Exist. Hwy. Light Pole
 - ⑥ Remove Exist. Sign(s) & Install New Sign(s) on Exist. Flashing Lt. Pole
 - ⑦ Install New Sign(s)
 - ⑧ Install New Sign(s) & Post(s)
 - ⑨ Install New Sign(s) on Exist. Hwy. Light Pole
 - ⑩ Install New Sign(s) on Exist. Traffic Signal Pole
 - ⑪ Relocate Exist. Sign(s) & Post(s) to New Location
 - ⑫ Remove Exist. Sign(s) & Install New Sign(s)
 - ⑬ Remove Exist. Sign(s) & Install New Sign(s) on Exist. Traffic Signal Pole

1/15/14	Relocate Exist. Signal Ahead Warning Sign Revise Sign Layout Add Milepost Marker Revise Sign Key Callout
DATE	REVISION

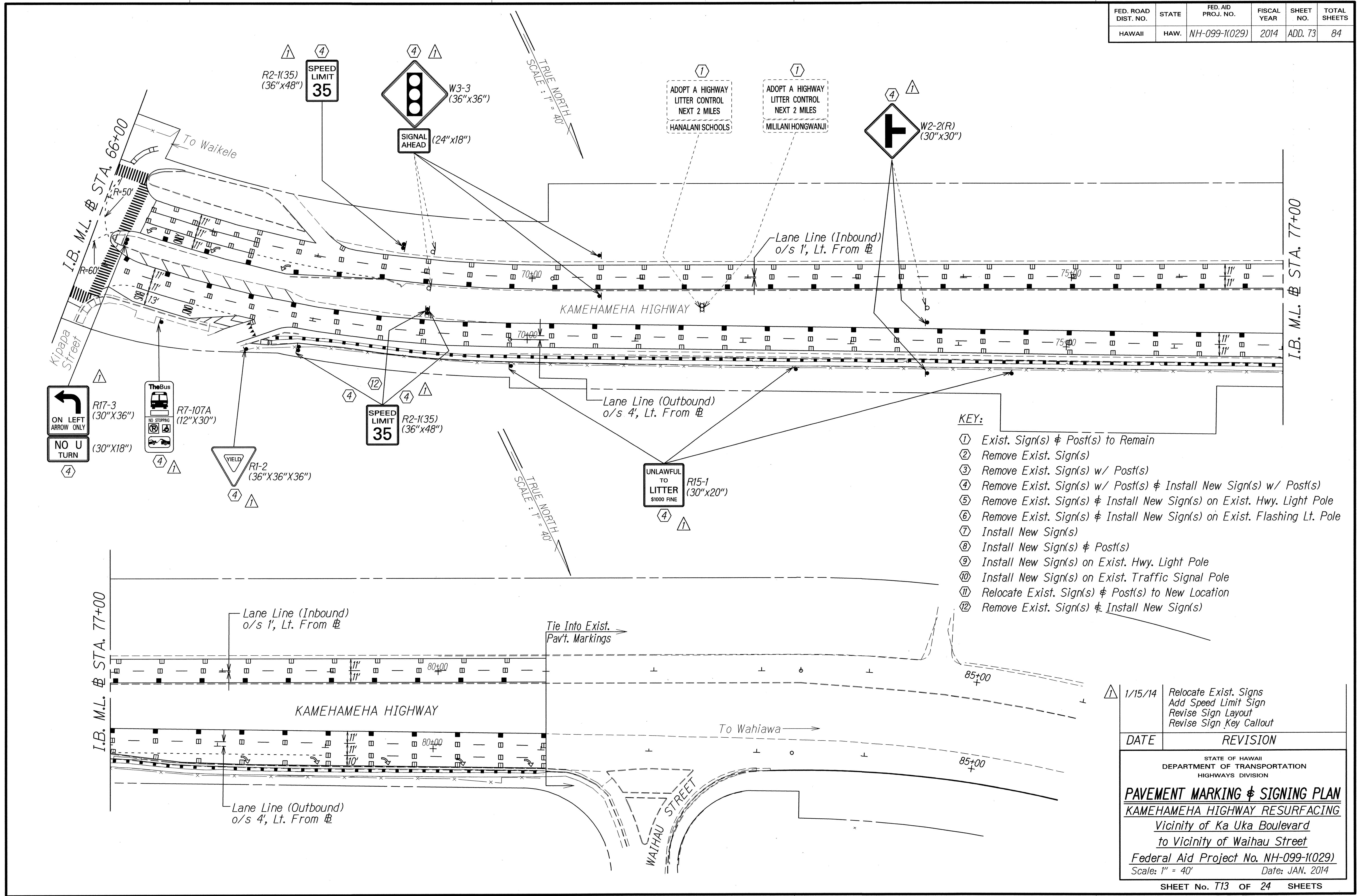
STATE OF HAWAII
DEPARTMENT OF TRANSPORTATION
HIGHWAYS DIVISION

PAVEMENT MARKING & SIGNING PLAN
KAMEHAMEHA HIGHWAY RESURFACING
*Vicinity of Ka Uka Boulevard
to Vicinity of Waihau Street*

Federal Aid Project No. NH-099-1(029)
Scale: 1" = 40' Date: JAN. 2014

SHEET No. T12 OF 24 SHEETS

FED. ROAD DIST. NO.	STATE	FED. AID PROJ. NO.	FISCAL YEAR	SHEET NO.	TOTAL SHEETS
HAWAII	HAW.	NH-099-1(029)	2014	ADD. 73	84



- KEY:**
- ① Exist. Sign(s) & Post(s) to Remain
 - ② Remove Exist. Sign(s)
 - ③ Remove Exist. Sign(s) w/ Post(s)
 - ④ Remove Exist. Sign(s) w/ Post(s) & Install New Sign(s) w/ Post(s)
 - ⑤ Remove Exist. Sign(s) & Install New Sign(s) on Exist. Hwy. Light Pole
 - ⑥ Remove Exist. Sign(s) & Install New Sign(s) on Exist. Flashing Lt. Pole
 - ⑦ Install New Sign(s)
 - ⑧ Install New Sign(s) & Post(s)
 - ⑨ Install New Sign(s) on Exist. Hwy. Light Pole
 - ⑩ Install New Sign(s) on Exist. Traffic Signal Pole
 - ⑪ Relocate Exist. Sign(s) & Post(s) to New Location
 - ⑫ Remove Exist. Sign(s) & Install New Sign(s)

ORIGINAL PLAN	DATE
DESIGNED BY	
TRACED BY	
NOTED BY	
QUANTITIES BY	
CHECKED BY	

1/15/14	Relocate Exist. Signs Add Speed Limit Sign Revise Sign Layout Revise Sign Key Callout
DATE	REVISION
STATE OF HAWAII DEPARTMENT OF TRANSPORTATION HIGHWAYS DIVISION	
PAVEMENT MARKING & SIGNING PLAN	
KAMEHAMEHA HIGHWAY RESURFACING	
Vicinity of Ka Uka Boulevard to Vicinity of Waihou Street	
Federal Aid Project No. NH-099-1(029)	
Scale: 1" = 40' Date: JAN. 2014	
SHEET No. 713 OF 24 SHEETS	