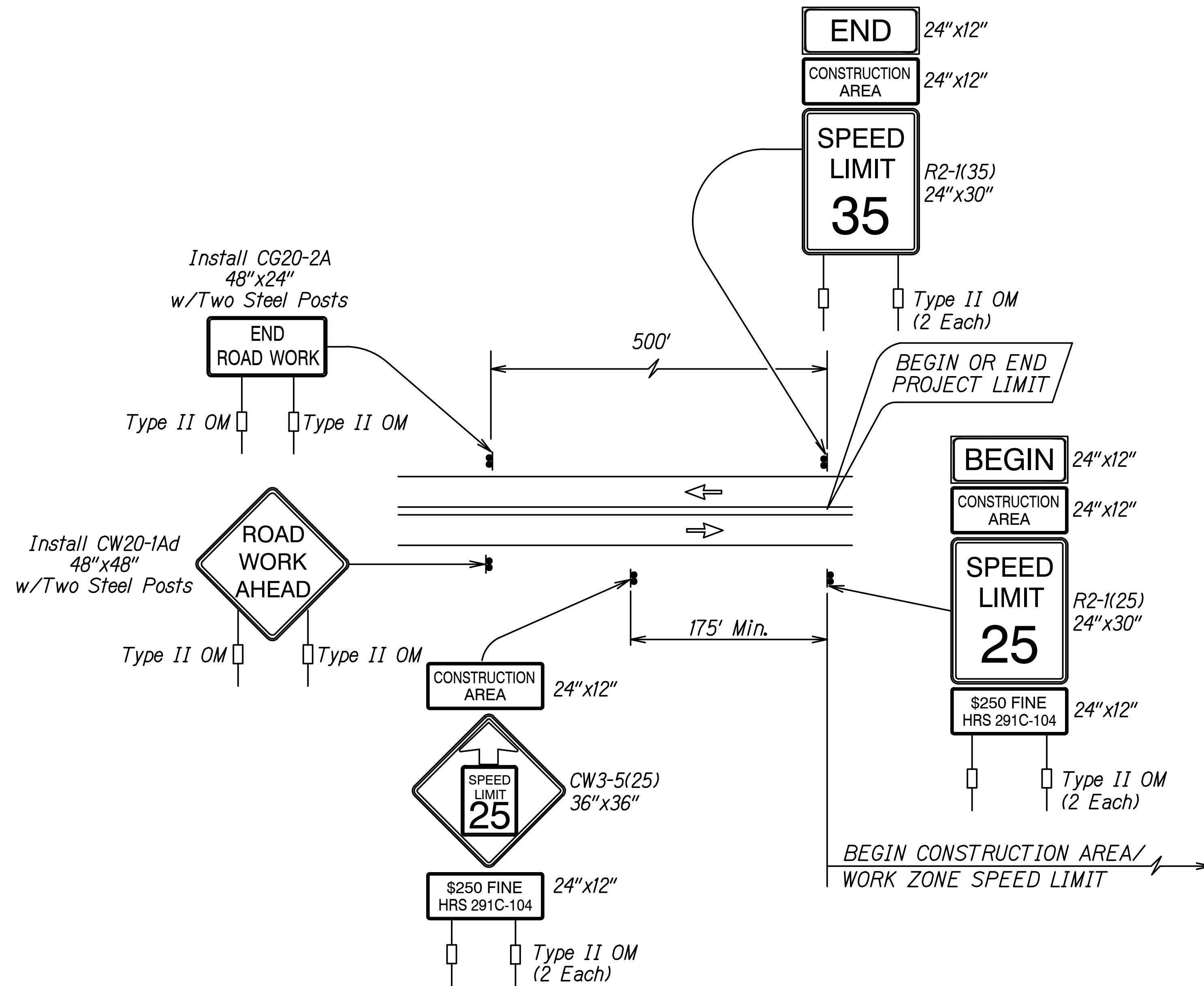


FED. ROAD DIST. NO.	STATE	PROJ. NO.	FISCAL YEAR	SHEET NO.	TOTAL SHEETS
HAWAII	HAW.	93A-01-23M	2023	20	26

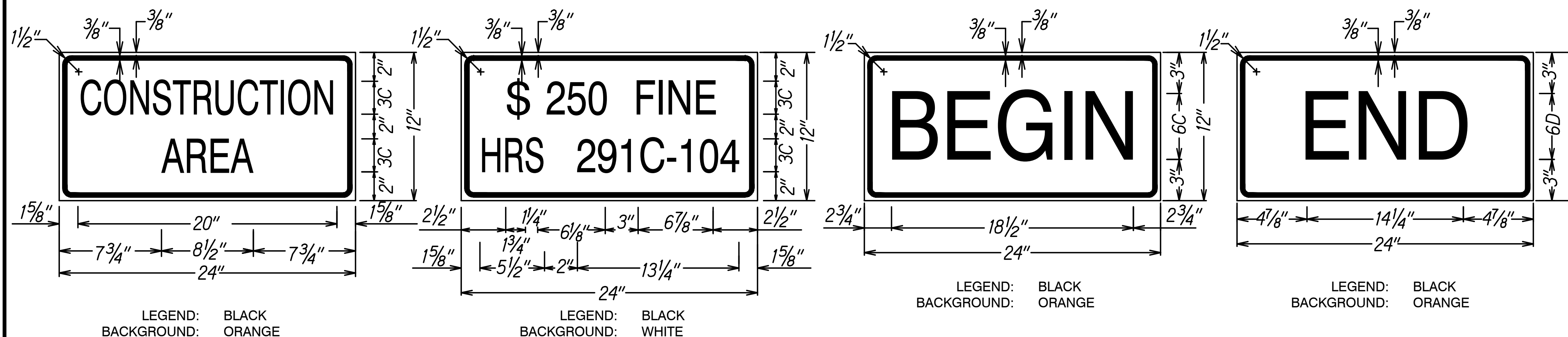


TYPICAL DETAIL FOR CONSTRUCTION SIGNS  
ON TWO LANE OR MULTILANE UNDIVIDED LOW SPEED HIGHWAY

Work Zone Note:

1. This Work Zone Sign Plan is intended for use on long-term stationary work zones/construction phases (3 days or more). All work zones or construction phases less than 3 days duration will use Traffic Control Plans shown in Section 645 of the Special Provisions.
2. All existing regulatory speed limit signs with posts within the work zone/project limits shall be removed and replaced with work zone speed limit sign assemblies (R2-1(35) with "CONSTRUCTION AREA" and "\$250 FINE HRS 291C-104" Supplemental Signs).
3. Construction sign assemblies shall be installed on both the approaching and trailing ends of each work zone as shown on this plan.
4. Each construction warning sign shall have a minimum of two (2) Type II OM. Each work zone speed limit assembly shall have a minimum of one (1) Type II OM. Installation of each Type II OM shall be considered incidental to Item No. 645.1000 - Traffic Control.
5. Upon the completion of all physical work or as directed by the Engineer, all construction signs and work zone speed limit assemblies shall be removed. All speed limit signs and posts that were existing at the start of the project within the work zone/project limits shall be restored back to their original locations and configurations.
6. Placement of construction signs shall not obstruct the path of pedestrians and bicyclists.
7. The removal and restoration of existing regulatory speed limit signs with new posts along with the installation, maintenance, and removal of work zone speed limit sign assemblies shall be considered incidental to Item No. 645.1000 - Traffic Control.
8. The installation, maintenance and removal of work zone speed limit signs shall be paid for under Item No. 645.1000 - Traffic Control.
9. The work zone speed limit signs shall be new and become the property of the Contractor.
10. The Contractor shall adjust the locations of work zone signs to correspond with the beginning and end of work zone limits for each phase. Relocation of work zone signs shall be considered incidental to Item No. 645.1000 - Traffic Control.
11. All work zone speed sign assembly shall be mounted on three (3) 4.00 lbs./ft. galvanized flanged channel sign posts with a sign clearance of five (5) feet. Sign stiffeners as specified by Standard Plan Sheet TE-02A shall be installed as needed or as directed by the Engineer.

DATE	.....
SURVEY PLOTTED BY	.....
DRAWN BY	.....
TRACED BY	.....
DESIGNED BY	.....
NOTE BOOK	.....
QUANTITIES BY	.....
CHECKED BY	.....
No.	.....



	STATE OF HAWAII DEPARTMENT OF TRANSPORTATION HIGHWAYS DIVISION
	<b>LOW SPEED UNDIVIDED HIGHWAY</b> <b>WORK ZONE SIGNING PLAN, NOTES &amp; DETAILS</b>
	FARRINGTON HIGHWAY Ulehawa Stream Bridge Repairs Project No. 93A-01-23M
THIS WORK WAS PREPARED BY ME OR UNDER MY SUPERVISION. SIGNATURE: <i>Randall M. Uragami</i> EXPIRATION DATE OF THE LICENSE: 04/30/24	Scale: None Date: Mar. 2023
SHEET No. TC-3 OF 5 SHEETS	