

| FED. ROAD DIST. NO. | STATE | PROJ. NO. | FISCAL YEAR | SHEET NO. | TOTAL SHEETS |
|---------------------|-------|------------|-------------|-----------|--------------|
| HAWAII | HAW. | 93A-02-10M | 2010 | 11 | 12 |

SOIL PREPARATION NOTES:

- Contractor shall utilize existing soil for the project. Finish grade of the completed project shall remain the same as existing grade. Preserve existing drainage patterns. Soil Preparation notes apply to all planting areas.
- Do not screen existing soil.
- Use locally available compost such as Hawaiian Earth Products compost.
- Do not work the soil when air or soil is so moist that excessive compaction occurs or so dry that dust forms. Apply water if necessary to bring soil to optimal moisture content for tilling, planting and dust control.
- Remove and dispose of plastics, glass, trash and stones greater than 2 inches diameter: as a result of soil preparation.
- The contractor shall only perform soil preparation to the extent that can be completed by the end of work day. Any exposed soils at the end of the work day shall be covered with compost.

PHASE I

- Prior to construction, uniformly spread two inches of compost over entire median to be planted.
- Scarify the top 18 inches of existing soil.
- Apply generous amounts of water to break soil clumps to between one inch and six inches in diameter

PHASE II

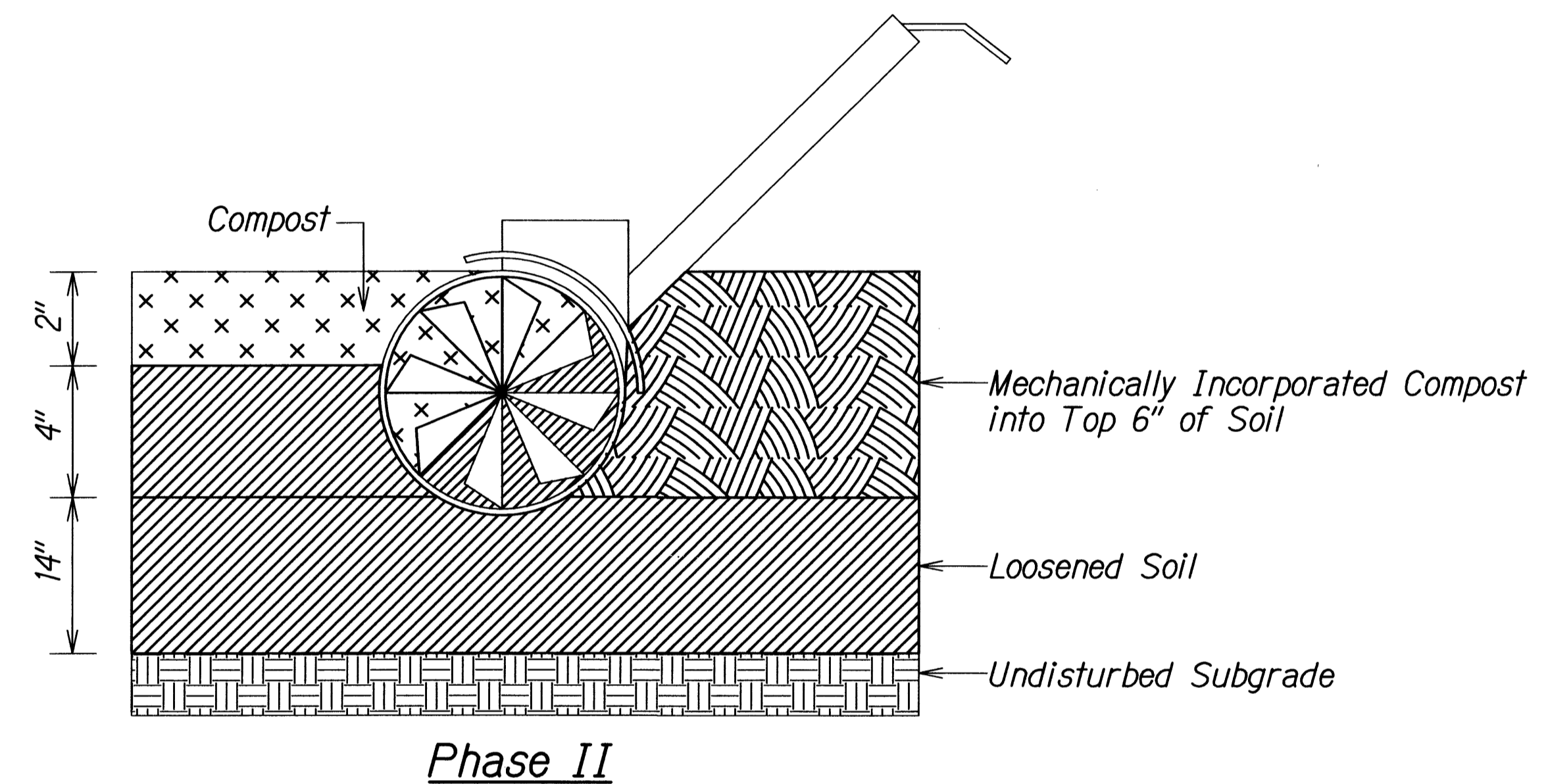
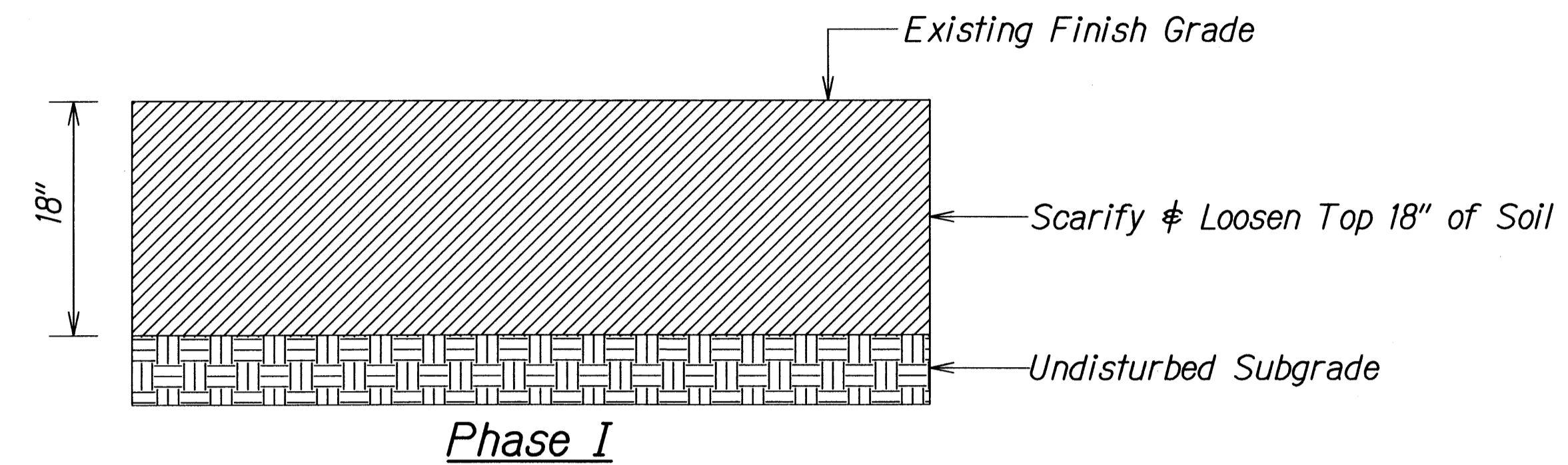
(applies only to the median between STA. 225+00 to 237+15.71 and STA. 5+00 to 5+70)

- Apply 2 inches of compost and mechanically incorporate into the top 6 inches of soil. Afterwards do not allow vehicles or equipment on median.

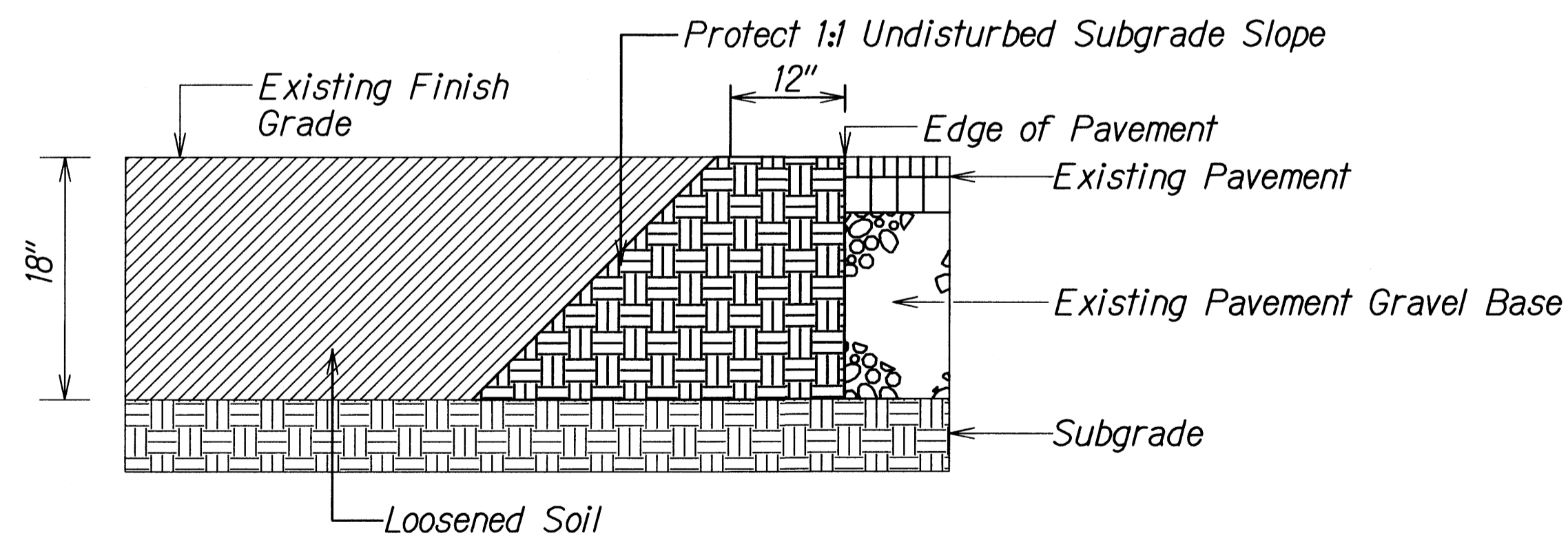
PHASE III

- Grade soil to a smooth and even finish without abrupt changes or pockets. Evenly apply 2 inches of compost.

SOIL PREPARATION PROCESS

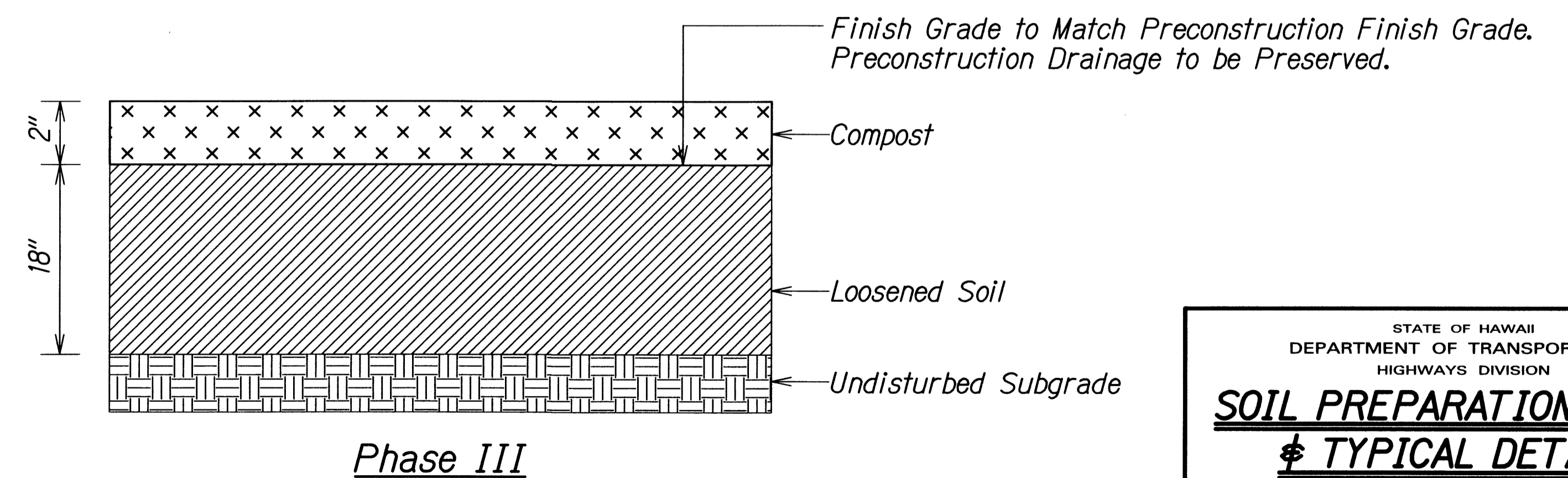


Note: Phase II applies only to the median between STA. 225+00 to 237+15.71 and STA. 5+00 to 5+70.



PAVEMENT EDGE PROTECTION DETAIL

Note: After the completion of the soil preparation, remove the top two inches of soil within 12 inches of the pavement edge careful not to damage the pavement and install two inches of bark mulch. Repair all damaged pavement as a result of construction activity as directed by the Engineer at the contractor's expense.



| | |
|-------------------|------|
| ORIGINAL PLAN | DATE |
| SURVEY PLOTTED BY | |
| DESIGNED BY | |
| TRACED BY | |
| NOTE BOOK | |
| DESIGNED BY | |
| QUANTITIES BY | |
| CHECKED BY | |
| | |

STATE OF HAWAII
DEPARTMENT OF TRANSPORTATION
HIGHWAYS DIVISION

SOIL PREPARATION NOTES
± TYPICAL DETAILS

FARRINGTON HIGHWAY MEDIAN IMPROVEMENTS
Milepost 3.50 to Milepost 4.36
Project No. 93A-02-10M
Scale: N.T.S. Date: April, 2010
SHEET No. 1 OF 1 SHEETS